

**ELECTRICAL CHARACTERISTICS**

Nominal Capacity 0.85Ah  
(5.0mA ,+25°C 2V cut off.The capacity restored by the cell varies according to current drain, temperature and cut-off)

---

Nominal Voltage 3.0V

---

Max.Continuous Current 1000mA

---

Max.Pulse Capability 1500mA

---

Storage(recommended) Max.30°C  
(For more severe conditions,consult Ramway)

---

Operating Temperature Range - 40°C ~ +60°C  
(Operation at temperature different from ambient may lead to reduced capacity and lower voltage plateau readings)

---

Weight Approx.13g

---

**KEY FEATURES**

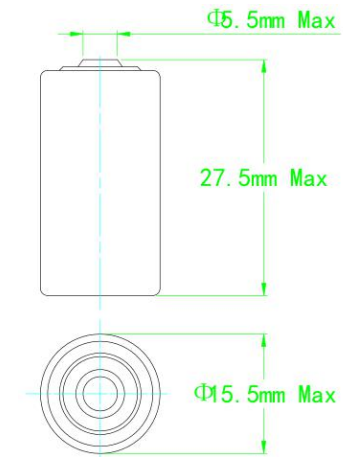
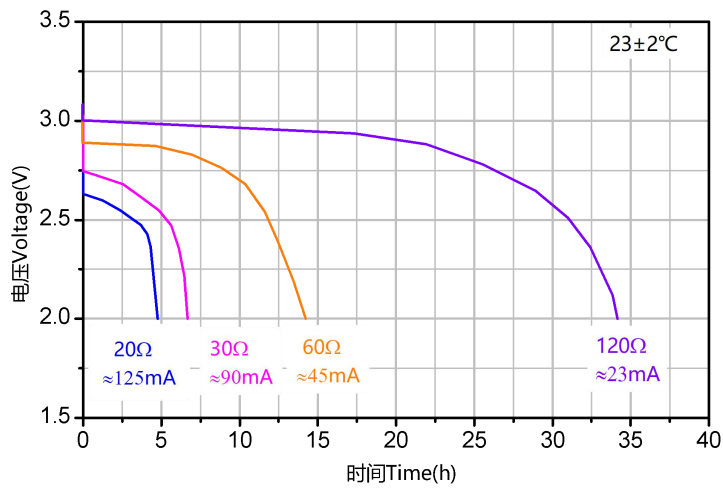
- High and stable operating voltage
- Low self discharge rate(less than 2% after 1 year of storage at 25°C)
- Long storage life
- Full seal
- Stainless steel container(with low magnet)
- Widely operating temperature range
- Hermetic glass-to-metal sealing
- Non-flammable electrolyte

**APPLICATION**

- Utility metering
- Memory back-up
- Tollgate systems
- Alarms and security devices
- Military electronics
- Automotive electronics
- Professional electronics
- GPS tracking
- Real time clock

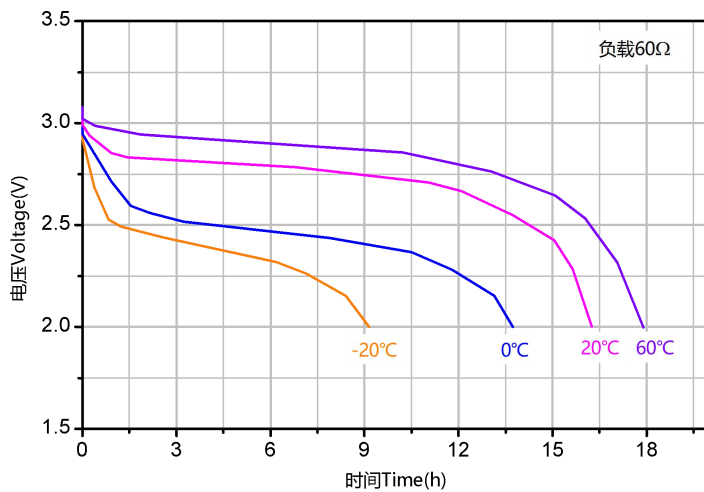
Note:Information in the document is just for reference.Latest edition of the publication, the right of interpretation subject to RAMWAY.

## DISCHARGE CHARACTERISTICS

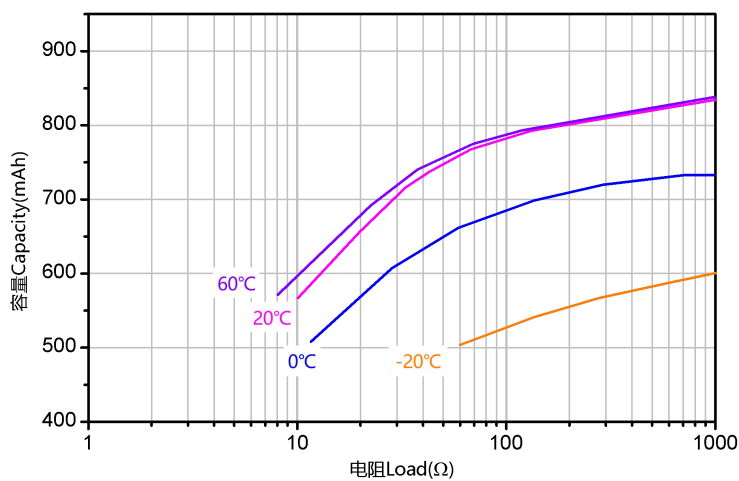


(For different connecting methods consult RAMWAY)

## TEMPERATURE CHARACTERISTICS



## CAPACITY V.S. LOAD



### WARNING

- ✦ It is strictly forbidden to have the battery positive and negative short circuit, charging, discharging, heating over 100 °C, remove, anatomy, or may cause explosion, combustion, internal acid leakage.
- ✦ Do not solder directly on the battery, should use wire or nickel sheet by pre spot welded .
- ✦ Can not mixed use with old and new battery or mixed use different kinds battery.
- ✦ Don't assemble the batteries from different manufacturers.
- ✦ Do not use the battery exceed the temperature range.
- ✦ Discharged battery should be buried deeply in the ground.