

Established

Taiwan , year 1990

Main Business

CviLux Brand & ODM/OEM Business

Key Products

Connector, FFC, Wire Harness, Cable Assemblies, PCBA, Electronic Components, 3C Product ... etc.

Competitive Advantage

- (1) Listed Company in Taiwan Stock Market (TWSE8103)
- (2) Worldwide Sales Network
- (3) Advance ERP & Customer Service
- (4) Integrated Marketing Service System
- (5) Turnkey Green Product Solution
- (6) International Standard of QC & Certificates

Factory & Office Location

Taiwan – Tamsui Plant – Headquarters (CCT)

- China – Dongguan Plant – 1 (CED)
- Dongguan Plant – 2 (DQH)
- Dongguan Plant – 3 (CED2)
- Suzhou Plant (HBC)
- Chongqing Plant (CQC)
- Anhui Plant (AHC)
- Shenzhen Office (CTS)

- Lao – Lao Plant (LAO)
- USA – USA Office (CUC)

Sales Agent

Allsor Technology Corporation (Taiwan)
Allsor (Dongguan) Technology Corporation (China)

Quality Policy

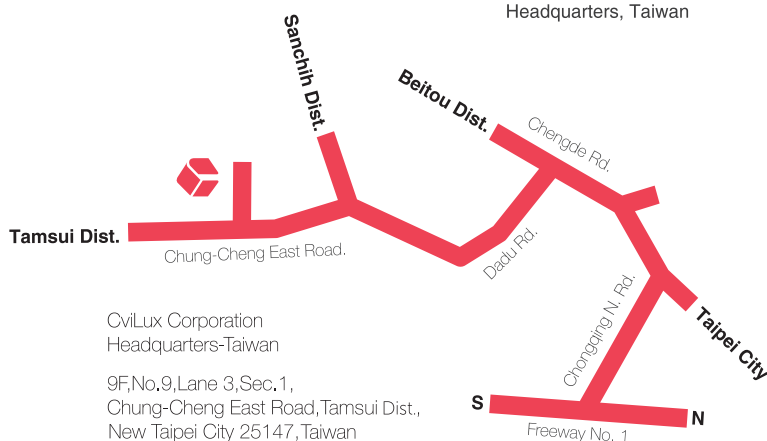
Improve Our Product Quality & Operation System
To Satisfy Our Customer's Demand

I.P.O.

TWSE8103 (Taiwan Stock Exchange Corp.)



CviLux Corporation Headquarters, Taiwan



CviLux Electronics (Dongguan) Co., Ltd.



CviLux Technology (Shenzhen) Corporation



CviLux Technology (Chongqing) Corporation



Dongguan Qunhan Electronics Co., Ltd.

TERMS & CONDITIONS

Sample Request

Samples will be dispatched out by freight collected courier against prices approved by customers.

Tape & Reel Request

T/R available, please consult manufacturer for details.

Quotation Validity

Quoted prices are based on current selling prices and will be valid within 6 months from issued date. CviLux reserves the right to adjust quoted prices any time in response to International raw material costs or simply error correction on typing.

Export Payment Terms

Standard term is T/T in advance. Payment term extension application to be approved by CviLux individually.

Minimum Package Quantity

Customer order quantity should meet our minimum package quantity for purpose of inventory control and speeding up for delivery.

Minimum Order Quantity

To smooth production process, please place orders to meet our MOQ based on different products.

Delivery Term

(A) Air shipment amount over USD 5000/ EURO 4500
F.C.A. Taiwan/H.K./ Shanghai.

(B) Air shipment amount less than USD 5000 / EURO 4500:
F.C.A. Taiwan/H.K./ Shanghai + handling charge USD 350/
EURO 310 or EXW without handling charge.

(C) Sea shipment amount over USD 12000/ EURO 11000:
F.O.B. Taiwan/H.K./ Shanghai.

(D) Sea shipment amount less than USD 12000/ EURO 11000: F.O.B. Taiwan/H.K./Shanghai + handling charge USD 350/ EURO 310 or EXW without handling charge. CviLux reserves the right to adjust handling charge to reflect actual transportation cost and exchange rate if any necessary.

Time of Delivery

All delivery dates quoted are estimated, are not guaranteed and do not form a term of contract, while every endeavor will be made to comply with these dates, CviLux shall have no liability for any delay in dispatch or delivery.

Placing Orders

Please place a formal order by fax, e-mail. Verbal Phone orders will not be accepted or entered into our system. place a formal order by fax, e-mail. Verbal phone orders will not be accepted or entered into our system.

Orders Cancellation and Changes

Customer's orders' cancellation or changes should be informed in 3 days after orders placing. Any unrecoverable manufacturing cost raised by the cancellation and changes will be charged to the customers.

Shipping

Special shipping instruction will be followed whenever possible. If no special demand of shipping, we will deliver the shipment to you with the "best way."

Constant Product Improvement

The products supplied may not be agreed in all details with description and illustrations. Product specifications are subject to constant improvement.

Guarantee

All "non-customized" parts from CviLux Corporation are unconditionally guaranteed for 30 days from the date of shipment.

Warranty

CviLux Corporation warrants the materials and workmanship of its products for 80 days from the date of shipment.

Returned Goods

Any defects or errors for which we are responsible will be promptly rectified. Approval for return of goods must be requested by CviLux. All products returned must have been purchased from CviLux Corporation within 6 months from the date of invoice, and must be packed and shipped in clean and re-saleable condition. Credit for returned goods shall only be allowed by receiving CviLux official credit notes acer above requirements have been met

Force Majeure

CviLux shall have no liability in respect of failure to deliver or per form or delay in delivering or performing any obligations to the customer, due to any cause of whatsoever nature outside of the reasonable control of the seller including but not limited to causes arising from acts or omissions of the customer.

Export Control Regulations

Some or All of the goods supplied by CviLux may be subject to export control regulations. Such goods may not be exported by the customer without prior approval of the relevant authorities. It is the responsibility of the customer to obtain such approval. Under no circumstances shall the seller be liable for any loss or damages incurred by the customer as a result of customer's contravention of any export control regulations.



Wire to Board & Cable Assembly



Power Connectors



Pin Headers



FFC/ FPC Connectors



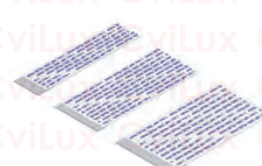
RF Connectors



D-SUB Connectors



FFC



USB Type C Connectors & Cable





Wire to Board & Cable Assembly



Pin Headers



FFC/ FPC Connectors & FFC



RF Connectors



D-SUB & Combo D-SUB



Telephone Jacks



USB Type C Connectors & Cable



Mini PCI-E

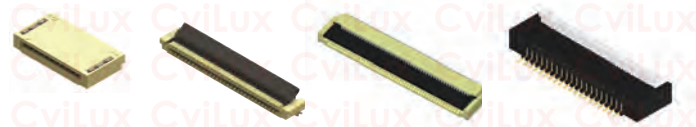




Wire to Board Connectors & Harness Cable



FFC/FPC Connectors



FFC & LVDS FFC



Power Connectors

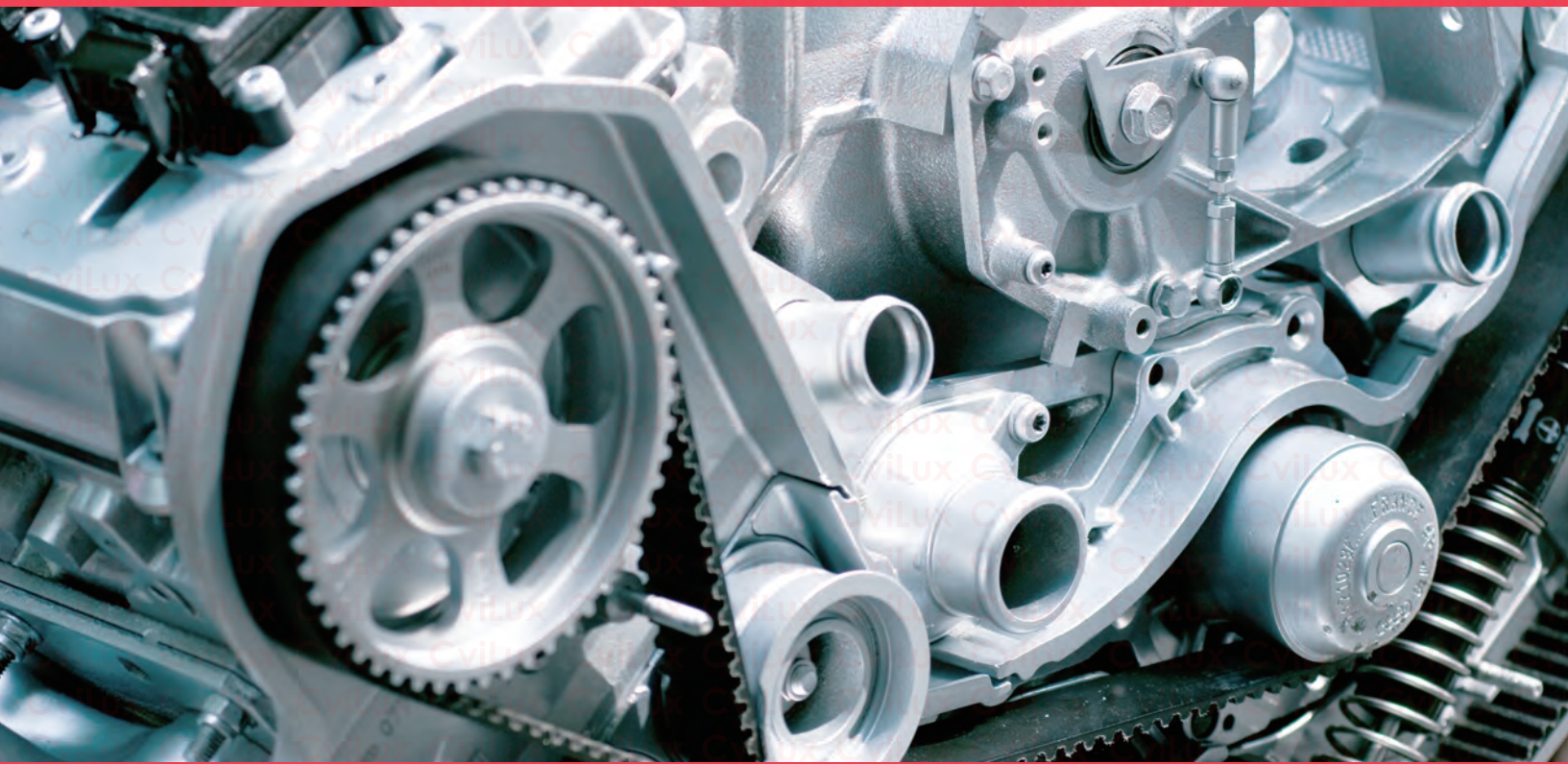


LED Holder

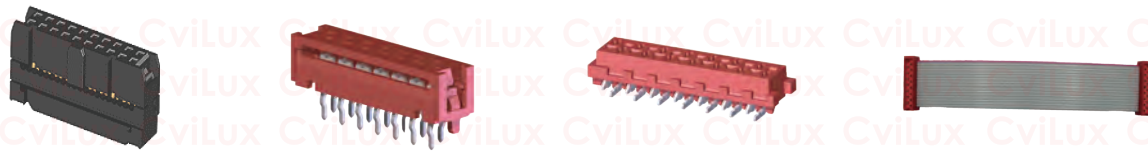


USB Type C Connectors & Cable





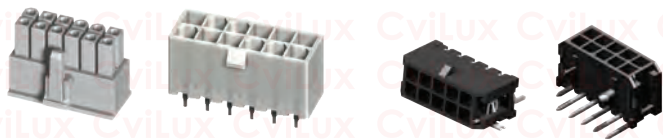
IDC Connectors & Cable



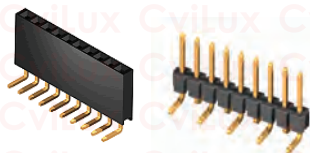
FFC/FPC Connectors & FFC



Power Connectors



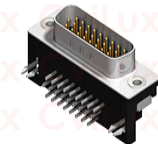
Pin Headers



BTB Connectors



D-SUB



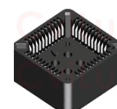
USB Type C Connectors & Cable



USB



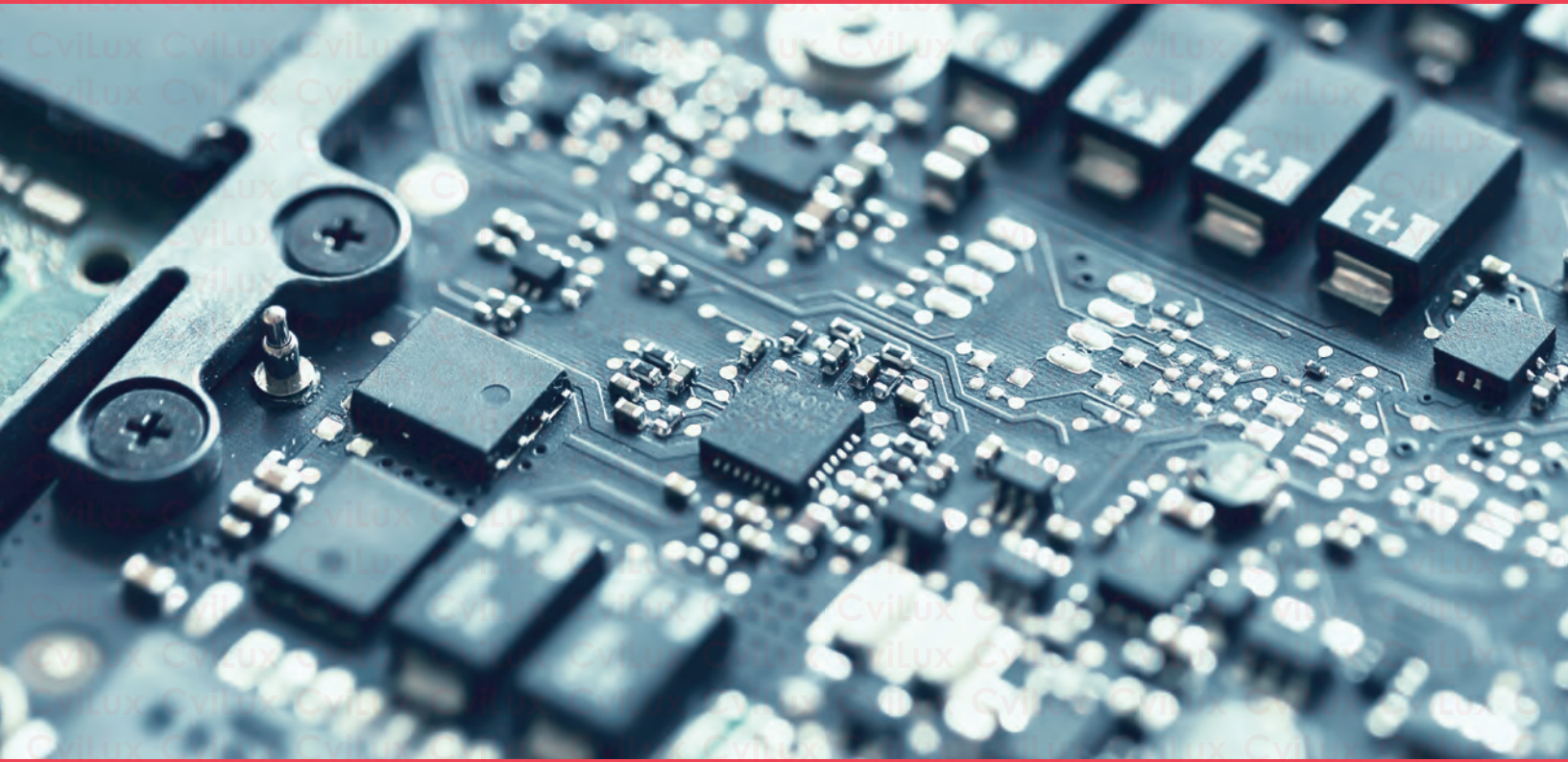
IC socket



Jumper



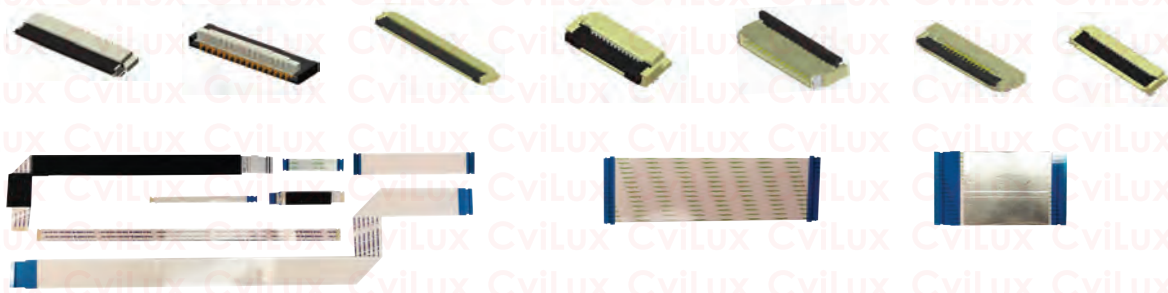
Laptop Industry



Wire to Board Connectors



FFC/FPC Connectors



BTB Connectors



LVDS Connectors



USB Type C Connectors



I/O Connectors





Wire to Board Connectors



FFC/FPC Connectors & FFC



BTB Connectors



I/O Connectors



USB Type C Connectors



USB Type C Cable



PRODUCT CATEGORY



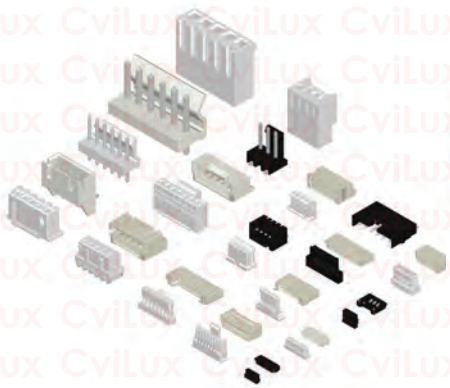
FFC / FPC Connectors



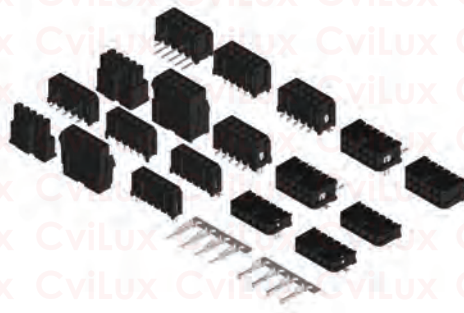
FFC and LVDS Cables



LVDS Connectors



Wire to Board Connectors



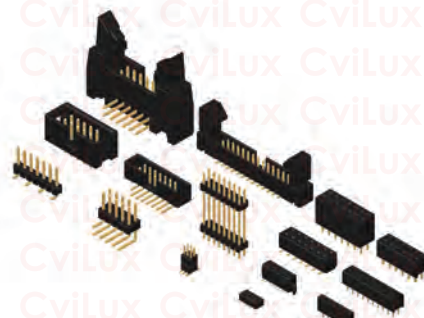
Power Connectors



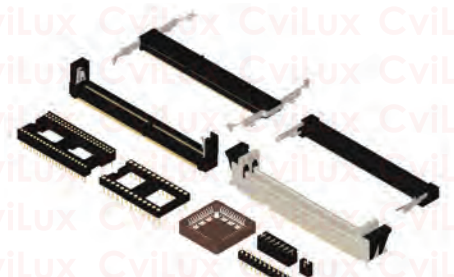
IDC Connectors



Board to Board Connectors



Pin Headers



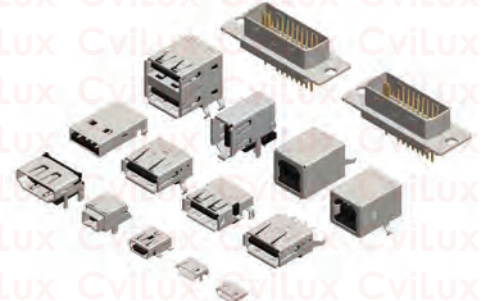
Socket Connectors



**D-SUB and
Combo D-SUB Connectors**



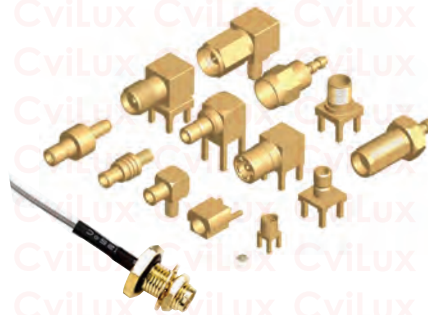
Modular Jack Connectors



I/O Connectors



USB Type C Connectors



**RF Microwave
Coaxial Connectors & Cable**



Pogo Pin Connectors



**Fiber Optical Connector
& Cable**



PCBA



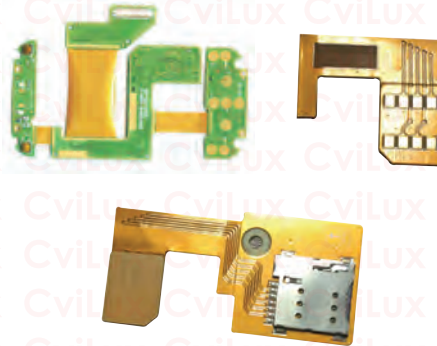
Module

PRODUCT CATEGORY

PI High Temperature Film FFC



Cable with PCBA Assemblies



IDC Cable Assemblies



Type C Cable & Adapter



Lightning Cable



HDMI AOC Cable



STATEMENT OF ENVIRONMENTAL FRIENDLY POLICY

As members of global community, we should all be aware of limited resource consumption and increasing pollution's impact to earth. Our next generation and living animals could live in a dangerous environment without our efforts. Because of this, CviLux Corporation commits to provide environmental friendly products to its clients by using less energy and efficient production. CviLux spirit is to preach such green mind to all the employees and partners who are working closely with us.

Definition:

RoHS Compliant and Lead Free Soldering Process

This letter is released to explain the difference between RoHS compliant and Lead Free Soldering Process. These terms confused R&D designers a lot when they need to select right components and processes for their designs. With this letter, we hope to minimize the confusion and clarify these terms to any one who is interested in this topic.

- RoHS compliant: Indicates raw material of product contained forbidden material within the limitation defined by RoHS directive 2011/65/EU & 2015/863/EU.

- Lead Free Soldering Process: Indicates products themselves can stand specific soldering profile such as J-STD-020C/D or SS-00254.

Currently, there are still no fixed lead free soldering process can be adopted to all kinds of components. For SMT components, the most widely used norms are J-STD-020C/D and SS-00254. As for THT components, JESD22-B106C is the most popular one. CviLux has already set these norms as the standard processes to follow. The details of related soldering temperature of above norms can be found in CviLux product specifications.

Besides, there is still one important concept- It is not a must for RoHS compliant components to adapt Lead Free soldering process. In some cases, it is possible that components are RoHS compliant but not available for lead free soldering process. On the contrary, components available for lead free soldering process are always RoHS compliant. One obvious example is that when cable assemblies can meet RoHS standard, it refers to that the raw materials are environmental friendly only but nothing related to lead free soldering process. PCB components apply the same to the above.

Halogen Free

Halogens are 5 non-metallic elements in group VIIA of the periodic table Fluorine, Chlorine, Bromine, Iodine, Astatine.

Halogens exists, at room temperature, in all three status, Solid (Iodine, Astatine), Liquid (Bromine) and Gas (Fluorine, Chlorine). Currently, only 2 of these 5 elements are normative by IEC, which are Cl and Br.

Why does Halogen Free become new challenges to connector manufacturers? Because the common used connector raw materials like PA66 and PBT are without fire resistance characteristic originally, to strengthen fire resistance characteristic in connector raw materials, Brominated Flame Retardants are used as additive. However, with more and more emphasis on the importance of Halogen Free products, the use of Brominated Flame Retardants becomes more and more difficult and is restricted by content. To adapt this world wide trend, CviLux has had set its standard of Halogens Free policy according to IEC 61249-2-21 and produce the products since Jan. 2008.

- 900 ppm maximum Cl.
- 900 ppm maximum Br.
- 1500 ppm total Halogens.

Meanwhile, as the research of alternative materials/solutions for better performance plastics is progressing, CviLux will take part in this trend and provide its customers with latest technical support.

Requirement for install

© Android 7.0 above, iOS 9 above.

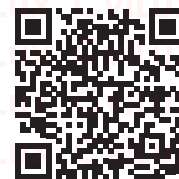
Step 1. iOS/Google Play Key Word Search: CVILUX



Step 3. General Catalogue



Step 2. Download E- Catalogue on the shelf



RoHS Compliant : RoHS Compliant

: TUV Certified

: UL Certified

: Lead-Free soldering process available

: Halogen-Free

Series	Pitch(mm/inch)	Description	
A. FFC / FPC Connectors			
System CF		Construction of Connector	1
		Connection Combinations of Connector and FFC Cable	2
CF58	0.30(.012")	H=0.90 SMT ZIF FFC/FPC Connectors(Back Lock)	4
CF38	0.30(.012")	H=1.00 SMT ZIF One-Touch FFC/FPC Connectors	5
CF30	0.30(.012")	H=1.25 SMT ZIF One-Touch FFC/FPC Connectors	6
CF86	0.50(.020")	H=0.90 ZIF Side Entry SMT Type FFC/FPC Connectors	7
CF42	0.50(.020")	H=0.96 SMT ZIF One-Touch FFC/FPC Connectors (Back Flip)	8
CF35	0.50(.020")	H=0.96 SMT ZIF One-Touch FFC/FPC Connectors	10
CF87	0.50(.020")	H=0.98 ZIF Side Entry SMT Type FFC/FPC Connectors (Back Flip)	13
CF92	0.50(.020")	H=1.22 SMT ZIF One-Touch FFC/FPC Connectors	14
CF55	0.50(.020")	H=1.25 SMT ZIF One-Touch FFC/FPC Connectors	15
CF88	0.50(.020")	H=1.57 ZIF Side Entry SMT Type FFC/FPC Connectors (Back Flip)	16
CF69	0.50(.020")	H=1.75 SMT LIF One-Touch FFC/FPC Connectors	17
CF39	0.50(.020")	SMT One - Touch FFC/FPC Connectors	18
CF75	0.50(.020")	SMT One-Touch FFC/FPC Connectors	19
CF82	0.50(.020")	H=2.00 SMT ZIF One-Touch FFC/FPC Connectors	20
	1.00(.039")	H=2.00 SMT ZIF One-Touch FFC/FPC Connectors	21
CF76	0.50(.020")	H=2.10 SMT LIF FFC/FPC Connectors	22
CF85	0.50(.020")	H=2.20 SMT ZIF One-Touch FFC/FPC Connectors	23
CF90	0.50(.020")	H=2.20 ZIF FFC/FPC Connectors	24
CF50	0.50(.020")	H=1.46 SMT ZIF One-Touch FFC/FPC Connectors	25
	1.00(.039")	H=1.46 SMT ZIF One-Touch FFC/FPC Connectors	28
CF61	0.50(.020")	H=1.75 SMT ZIF One-Touch FFC/FPC Connectors	32
CF31	0.50(.020")	H=1.95 SMT ZIF One-Touch FFC/FPC Connectors	33
	1.00(.039")	H=1.95 SMT ZIF One-Touch FFC/FPC Connectors	34
CF34	0.50(.020")	H=1.95 SMT ZIF One-Touch FFC/FPC Connectors	36
CF25	0.50(.020")	H=2.20 SMT ZIF One-Touch FFC/FPC Connectors	38
	1.00(.039")	H=2.20 SMT ZIF One-Touch FFC/FPC Connectors	40
CF11	0.50(.020")	H=2.70 SMT ZIF One-Touch FFC/FPC Connectors (Back Flip)	42
	1.00(.039")	H=2.70 SMT ZIF One-Touch FFC/FPC Connectors (Back Flip)	43
CF23	0.50(.020")	H=1.20 SMT ZIF FFC/FPC Connectors	45
	1.00(.039")	H=1.20 SMT ZIF FFC/FPC Connectors	46
CF20	0.50(.020")	H=2.00 SMT ZIF FFC/FPC Connectors	47
	0.50(.020")	H=3.90 SMT ZIF Vertical FFC/FPC Connectors	48
	1.00(.039")	H=2.00 SMT ZIF FFC/FPC Connectors	49
CF27	0.50(.020")	H=1.20 SMT LIF FFC/FPC Connectors	50
	1.00(.039")	H=1.20 SMT LIF FFC/FPC Connectors	51
CF24	0.50(.020")	H=4.20 SMT LIF Vertical FFC/FPC Connectors	52
CF95	0.80(.031")	H=1.50 SMT ZIF FFC/FPC Connectors (Back Flip)	53
CF84	0.80(.031")	H=1.57 SMT ZIF FFC/FPC Connectors (Back Flip)	54
CF32	0.80(.031")	H=1.95 SMT ZIF One-Touch FFC/FPC Connectors	55
CF37	0.80(.031")	H=1.95 SMT ZIF One-Touch FFC/FPC Connectors	56
CF07	1.00(.039")	H=2.60 SMT ZIF FFC/FPC Connectors	57
CF08	1.00(.039")	H=2.60/3.55 SMT LIF & SMT LIF Vertical FFC/FPC Connectors	58
CF09	1.00(.039")	H=2.60/5.50 DIP LIF FFC/FPC Connectors	59

CF73	1.00(.039")	H=3.30 SMT ZIF One-Toach FFC-FPC Connectors	60
CF10	1.00(.039")	H=3.80/5.00 DIP ZIF FFC/FPC Connectors	61
		H=5.20 SMT ZIF FFC/FPC Connectors	62
CF16	1.00(.039")	H=3.80/5.00 DIP LIF FFC/FPC Connectors	63
		H=3.80/5.20 SMT LIF FFC/FPC Connectors	64
CF12	1.25(.049")	H=4.00/6.80 DIP LIF FFC/FPC Connectors	65
B. Flat Flexible Cables & LVDS FFC Cables			
System FFC	Introduction		66
		Features & Applications & Connections	67
		Ordering Code & Terminal Types table	68
		Shape, Construction and Dimensions	69
		Feature & Caution	70
		Performance	71
CFF / CFE		Flat Flexible Cable Assemblies - LVDS FFC Cable	72
FFCA	2.54(.100")	Flat Flexible Cable Assemblies	73
C. LVDS Connectors			
CVS1	0.50(.020")	LVDS H=3.70 Socket Connectors for TV	74
CVS3	0.50(.020")	LVDS M/H=2.00 Socket Connectors for Notebook	75
CVS5	0.50(.020")	LVDS M/H=4.00 Socket Connectors for Notebook	76
CVSC	1.00(.039")	LVDS H=2.35 Socket Connectors for TV/Monitor	77
CVS7	0.50(.020")	LVDS M/H=1.05 Socket Connectors	79
D. Wire to Board Connectors			
System CI		Connection Combination of Wire to Board Connectors	80
CI20	0.60(.024")	Wire to Board Connectors Housing & SMT Headers	81
CI18	0.80(.031")	Wire to Board Connectors Housing & SMT Headers	82
CI11	1.00(.039")	Single Row Wire to Board Connectors Housing & Terminal	83
		Single Row Wire to Board Connectors SMT Headers	84
		Dual Row Wire to Board Connectors Housing & Terminal	85
		Dual Row Wire to Board Connectors SMT Headers	86
CI16	1.00(.039")	Wire to Board Connectors Housing & Terminal	87
		Wire to Board Connectors SMT Headers	88
CI14	1.00(.039")	Wire to Board Connectors Housing & Terminal	89
		Wire to Board Connectors SMT Side Entry Headers	90
		Wire to Board Connectors Housing & SMT Side/Top Entry Headers	91
CI63	1.20(.048")	Wire to Board Connectors Housing & Terminal & SMT Headers	94
	1.20(.048")	Wire to Board SMT Headers	95
CI40	1.25(.049")	Wire to Board Housing & Terminal	96
		Wire to Board SMT Headers	97
CI42	1.25(.049")	Wire to Board Housing & Terminal	98
	1.25(.049")	Wire to Board SMT Header	99
CI43	1.25(.049")	Wire to Board Connectors Housing & Terminal & SMT Headers	100
CI44	1.25(.049")	Wire to Board Connectors Housing & Terminal	101
		Wire to Board Connectors DIP Headers	102
		Wire to Board Connectors SMT Headers	103
CI45	1.25(.049")	Wire to Board Connectors Housing & SMT Headers	104
CI46	1.25(.049")	Wire to Board Connectors Housing & Terminal	105
		Wire to Board Connectors SMT Headers	106
CIDL	1.25(.049")	Wire to Board Connectors	107
CI15	1.50(.059")	Wire to Board Connectors Housing & Terminal	108
		Wire to Board Connectors DIP & SMT Headers	109

		Wire to Board Latch Type Housing & SMT Headers	110
CI19	1.50(.059")	Wire to Board Connectors Housing & Terminal	112
		Wire to Board Connectors SMT Headers	113
CI87	1.50(.059")	Wire to Board Connectors Housing & Terminal & SMT Headers	114
CIDW	1.50(.059")	Single Row Wire to Board Housing & Terminal	115
		Wire to Board Connectors SMT Headers	116
CIEJ	1.50(.059")	Single Row Wire to Board Housing & Terminal	117
		Single Row Wire to Board SMT Headers	118
CI07	1.80(.071")	Wire to Board Connectors Housing & Terminal	119
		Wire to Board Connectors SMT Headers	120
CI01	2.00(.079")	Single Row Wire to Board IDC Housing & Terminal	121
		Single Row Wire to Board Connectors DIP & SMT Headers	123
		Single Row Wire to Board Latch Type Housing & SMT Header	124
		Dual Row Wire to Board Connectors Housing & Terminal	126
		Dual Row Wire to Board Connectors DIP Headers	127
CI02	2.00(.079")	Board In Connectors	128
CI06	2.00(.079")	Wire to Board Connectors Housing & Terminal	129
		Wire to Board Connectors DIP & SMT Headers	130
CI08	2.00(.079")	Wire to Board Connectors SMT & DIP Headers	131
CI10	2.00(.079")	Wire to Board Connectors SMT Headers	132
CIDX	2.00(.079")	Single Row Wire to Board Housing & Terminal	135
		Wire to Board Connectors SMT Headers	136
CIDY	2.00(.079")	Single Row Wire to Board Housing & Terminal	137
		Wire to Board Connectors DIP Headers	138
CID9	2.00(.079")	Single Row Wire to Board Housing & Terminal	139
		Single Row Wire to Board SMT Headers	140
CIEG	2.00(.079")	Single Row Wire to Board Housing & Terminal	141
CIE4	2.00(.079")	Daul Row Wire to Board to Board DIP Headers	143
CI21	2.50(.098")	Wire to Board Connectors Housing & Terminal	144
		Wire to Board Connectors DIP Headers	145
CI22	2.50(.098")	Wire to Board IDC Connectors Housing & Terminal	146
		Wire to Board IDC Connectors Housing & IDC Cable	147
		Wire to Board IDC Connectors Connectors DIP Header	148
CI23	2.50(.098")	Wire to Board Connectors Housing & Terminal	149
		Wire to Board Connectors DIP Headers	150
CI25	2.50(.098")	Wire to Board Connectors Housing & Terminal	151
		Wire to Board Connectors DIP Headers	152
CI26	2.50(.098")	Board In Connectors	153
CI27	2.50(.098")	Board In Connectors	154
CI30	2.50(.098")	Wire to Board Connectors DIP Header	155
CI60	2.50(.098")	Wire to Board Connectors DIP Header & Housing & Terminal	156
CIL4	2.50(.098")	Wire to Board Connectors SMT Headers	157
CI31	2.54(.100")	Wire to Board Connectors Housing & Terminal	158
		Wire to Board Connectors DIP Headers	159
CI32	2.54(.100")	Wire to Board Connectors Housing & Terminal	160
CI34	2.54(.100")	Dual Row Wire to Board Connectors Housing	161
CI33	2.54(.100")	Single Row Wire to Board Connectors Housing	162
		Single Row Wire to Board Connectors DIP Headers	163
		Dual Row Wire to Board Connectors Connectors	164
		Dual Row Wire to Board Connectors	165

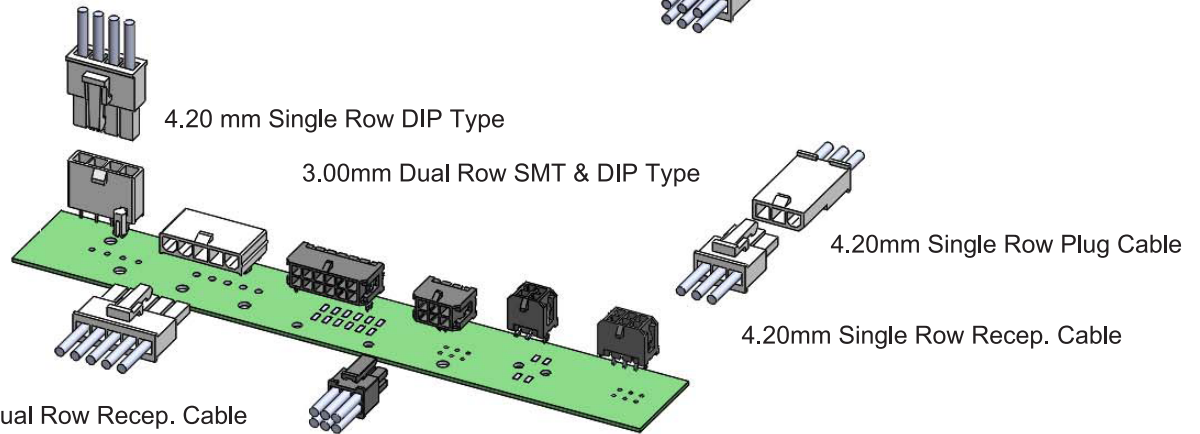
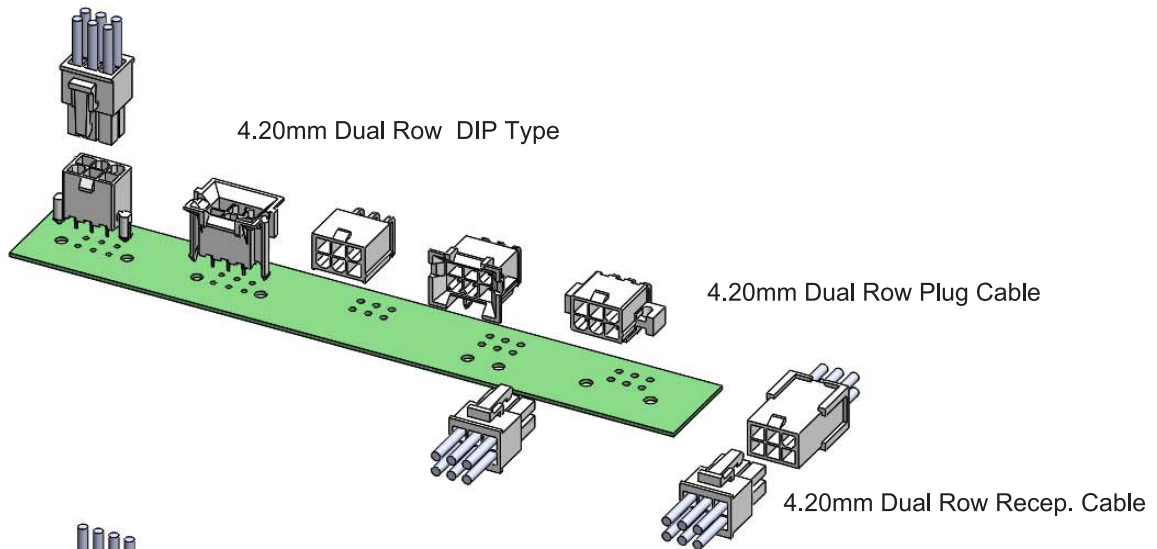
CI35	2.54(.100")	Wire to Board Connectors	166
CI39	2.54(.100")	Wire to Board Connectors SMT Headers	167
CI83	2.54(.100")	Friction Lock Breakaway Headers	168
CID2	2.54(.100")	IDC type Connectors	169
CID7	2.54(.100")	Wire to Board Housing/Terminal/Straight Headers	170
CIL1	3.50(.138")	Board to Board connectors	171
CI51	3.96(.156")	Wire to Board Connectors Housing & Terminal	173
		Wire to Board Connectors DIP Headers	174
CI52	3.96(.156")	Wire to Board Connectors Housing & Terminal	175
		Wire to Board Connectors DIP Headers	176
	7.92(.312")	Wire to Board Connectors DIP Headers	177
CI82	3.96(.156")	Friction Lock Breakaway Headers	178
CI77 /CI78	3.96(.156")	Breakaway Pin Headers	179
CID1	4.00(.157")	Wire to Board Connectors SMT Header	180
CI55	5.08(.200")	Wire to Board Connectors	181
E. Power Connectors			
System CP		Connection Combination of Power Connectors	182
CP75	1.50(.059)	Board to Board Receptacle Connector	183
		Board to Board Plug Connector	184
CP14	1.50(.059")	Single Row Side Entry SMT Headers	185
CP15	1.50(.059")	SMT Headers	186
CPB1		Waterproof Connectors	189
CPB2	2.00(.079")	Waterproof Connectors	190
CP06	2.50(.098")	Receptacle Connectors	193
	2.50(.098")	Plug Connectors	194
CP25	2.50(.098")	Receptacle Connectors	195
CP35	3.00(.118")	Single Row Housing Connectors	196
		Single Row Board Mount Headers	197
		Single Row Side Entry SMT Headers	198
		Single Row Top Entry SMT Headers	200
		Dual Row Receptacle Connectors	201
		Dual Row Plug Connectors	202
		Dual Row Board Mount Headers	203
		Dual Row Side Entry SMT Headers	204
		Dual Row Top Entry SMT Headers	206
CP-01	4.20(.165")	Power Connectors	207
CP-011	4.20(.165")	Receptacle Connectors	208
		Blind Mating Panel Mount Receptacle Connectors	209
		Receptacle Board Mount Connectors	210
		Assembly Power Connectors	211
CP-012	4.20(.165")	Plug Connectors	212
CP-013	4.20(.165")	Straight DIP Solder Headers	213
CP-014	4.20(.165")	Right Angle DIP Solder Headers	216
CP32	5.08(.200")	Power Connectors	219
CP33	5.08(.200")	IDC & Board Mount Receptacle Power Connectors	220
CP60	5.70(.224")	Dual Row Receptacle & Header	221
CP08	6.35(.250")	Single Row Power Connector	223
F. IDC Connectors			
System CA		Connection Combination of IDC Connectors	227
CA30	1.27(.050")	Male IDC & DIP Type Connectors	228

	1.27(.050")	Male IDC SMT Type Connectors	229
CA31	1.27(.050")	Flat Cable - IDC DIP Plugs	230
CA30&CA31		Flat Cable Assemblies	231
CA32	1.27(.050")	Female DIP Type Connectors	232
	1.27(.050")	Female SMT Type Connectors	233
CA33	1.27(.050")	IDC & Crimping Type Connectors	234
CM19		Pull-off tongs for CA33	235
CA34	1.27(.050")	Flat Cable - IDC DIP Plugs	236
CA35	1.27(.050")	Male DIP Type Connectors	237
	1.27(.050")	Male SMT Type Connectors	238
	1.27(.050")	Female DIP Type Connectors	239
CW03	1.27(.050")	Flat Ribbon Cable	240
CA11	2.00(.079")	Center Spacing Flat Cable - IDC Sockets	241
CA21	2.54(.100")	Center Spacing Flat Cable - IDC Sockets	242
CA23	2.54(.100")	Center Spacing Flat Cable - IDC DIP Plugs	243
G. Board To Board Connectors			
System CB		Connection Combination of Board To Board Connectors	244
		Board To Board Connectors Selection Index	245
CBRH	0.40(.016")	Board to Board Connectors	248
CBRQ	0.40(.016")	Board to Board Connectors	249
CBRB	0.50(.020")	Board To Board Connectors	250
CBRC	0.50(.020")	Board To Board Connectors	252
CBRE	0.50(.020")	Board To Board Connectors	254
CBRD	0.80(.031")	Board To Board Connectors	256
CBC3	0.80(.031")	Dual Row Female Headers	258
CB03	1.00(.039")	SMT Type Single Row Pin Headers	259
CB12	1.00(.039")	Dual Row Female Headers	259
CB01	1.27(.050")	Single Row Female Headers	260
CB50	1.27(.050")	Dual Row Female Headers	261
CBC1	1.27(.050")	Dual Row Female Headers	262
CB22	2.00(.079")	Single Row Female Headers	264
CB74	2.00(.079")	Dual Row Female Headers	265
CB76	2.00(.079")	Dual Row Female Headers	266
CB33	2.54(.100")	Single Row Dual Entry Female Headers	267
CB37	2.54(.100")	Single Row Female Headers	267
CB39	2.54(.100")	Single Row Female Headers	268
CB41	2.54(.100")	Dual Row Female Headers	269
CB83	2.54(.100")	Dual Row Female Headers	270
CB85	2.54(.100")	Dual Row Female Headers	270
CB96	2.54(.100")	Dual Row Elevated Female Headers	271
CB91	2.54(.100")	Dual Row Female Headers	272
CB94	2.54(.100")	Dual Row Female Headers	273
CB97	2.54(.100")	Dual Row Side Entry Female Headers	274
CBA7	2.00(.079")	Dual Row Female Headers	274
CGB1		Pogo Pin Connectors	275
H. Pin Header Connectors			
CHC3	0.80(.031")	Dual Row SMT Pin Headers	277
CH07	1.00(.039")	Single Row Board Mount Connectors	278
CH16	1.00(.039")	Dual Row Pin Headers	278
CH01	1.27(.050")	Single Row Pin Headers	279

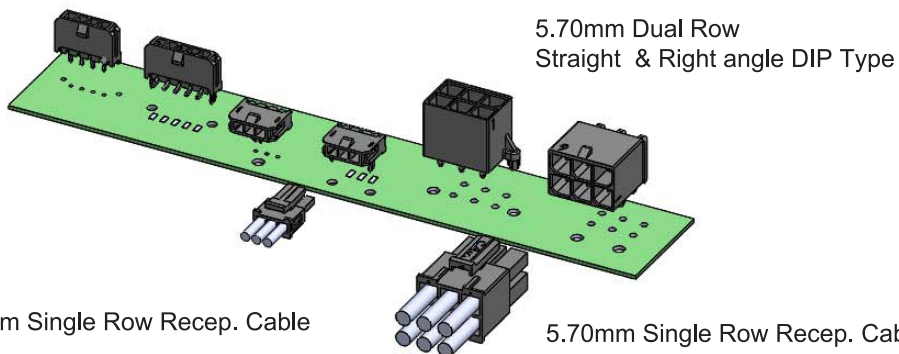
CH02	1.27(.050")	Single Row Pin Headers	280
CH03	1.27(.050")	Single Row Dual Bodies Pin Headers	281
CH06	1.27(.050")	Straight SMT Dual Row Shrouded Headers	282
CH51	1.27(.050")	Dual Row Pin Headers	283
CH52	1.27(.050")	Dual Row Pin Headers	285
CH57	1.27(.050")	Dual Row Dual Bodies Pin Headers	287
CHC2	1.27(.050")	Dual Row Pin Headers	288
CH60	1.27*1.27mm	Right Angle Dual row board mount pin header	291
CH11	2.00(.079")	Single Row SMT Pin Headers	292
CH21	2.00(.079")	Single Row Dual Bodies Pin Headers	294
CH70	2.00(.079")	Straight SMT Dual Row Shrouded Headers	295
CH71	2.00(.079")	Dual Row SMT Pin Headers	295
	2.00(.079")	Dual Row Pin Headers	296
CH72	2.00(.079")	Dual Row Pin Headers	297
CH74	2.00(.079")	Dual Row Pin Headers	298
CH75	2.00(.079")	Dual Row Dual Bodies Pin Headers	299
CH79	2.00(.079")	Dual Row Pin Headers	300
CH34	2.54(.100")	Single Row Dual Bodies Pin Headers	302
CH31	2.54(.100")	Single Row Pin Headers	303
CH81	2.54(.100")	Dual Row SMT & DIP Pin Headers	305
CH85	2.54(.100")	Dual Row Dual Bodies Pin Headers	306
CH87	2.54(.100")	Box Headers	307
CH88	2.54(.100")	Shrouded Box Headers	308
I. Sockets			
CS76	0.50(.020")	NGFF Connectors	309
CS59	0.80(.031")	Mini PCI 4.0H/2.1H 52pin Connectors	310
CS21	1.27(.050")	DIP PLCC Chip Carrier Socket	311
CS22	1.27(.050")	SMT PLCC Chip Carrier Socket	313
CS78	1.27(.050")	Board to Board Right Angle DIP Connector	314
CS01	2.54(.100")	Dual Row Multiple Shunts	315
CS07	2.54(.100")	DIP Socket - Machined contacts	316
CS09	2.54(.100")	Single in Line Adapter Strip	317
CS10	2.54(.100")	Single in Line SIP Socket	317
CS74		PCI Express Edge Card Connector	318
CSM1		H=3.3mm/1.5mm Dual Type SIM Card Connectors	319
CSM2		Micro SIM Card Connectors	320
J. D-SUB Connectors			
		D-Sub Shell Size & Printed Circuits Board Hole Patterns	321
		High density D-Sub Straight / Right Angle DIP solder PCB hole patterns	322
		D-Sub Accessories & PCB Mounting Options	323
CD01		High Density Solder D-Sub	324
CD03		High Density Straight DIP Solder D-Sub	325
CD05		High Density Right Angle DIP Solder D-Sub	326
CD51		Solder D-Sub	327
CD52		Crimp Clip D-Sub & Terminal	328
CD53		Straight DIP Solder D-Sub	330
CD61		8.10mm Footprint Right Angle DIP Solder D-Sub	331
CD62		8.10mm Footprint EMI Right Angle DIP Solder D-Sub	332
CD91		Flat Cable - IDC D-Sub	333
CD81		Stacked Right Angle DIP Solder D-Sub	334

CD71	Machined Contact Solder Cup D-Sub	336
CD72	Machined Contact Straight DIP Solder D-Sub	338
CD73	8.10mm Footprint Right Angle DIP solder D-Sub	340
COMBO D-SUB	Combo D-sub Technical Specifications	342
	Contact Arrangements/ Mounting Style options	343
	Coaxial Contact for Combination D-Sub	344
	High Power Contact for Combination D-Sub	345
	Combination D-Sub Housing	347
	Coaxial Straight DIP Combination D-Sub	350
	Coaxial Right Angle DIP Combination D-Sub	353
	20A High Power Straight DIP Solder Combination D-Sub	356
	40A High Power Straight DIP Solder Combination D-Sub	359
	20A High Power Right Angle DIP Solder Combination D-Sub	362
40A High Power Right Angle DIP Solder Combination D-Sub	365	
K. Telephone / Modular Jack Connectors		
CJ04	Board Mount Telephone Jacks	368
CJ07	Board Mount Telephone Jacks	369
CJ36	Board Mount Telephone Jacks	369
CJ31	Board Mount Telephone Jacks	370
CJ46	Board Mount Telephone Jacks	372
CJ47	Board Mount Telephone Jacks	372
CJ58	Board Mount Telephone Jacks	372
CJ48	Board Mount Telephone Jacks	373
CJ59	Board Mount Telephone Jacks	374
CJ91	Board Mount Telephone Jacks	375
CJ97	Board Mount Telephone Jacks	376
CJP1	Telephone Modular Plugs	378
CJP2	Telephone Modular Plugs	379
CJB1	Telephone Modular Jack RJ45	380
CJCJ	Telephone Modular Jack RJ45	381
L. I/O Connectors		
CU01	USB 2.0 Type-A Board Mount Receptacle and SMT Plug Connectors	382
	USB 2.0 Type-A Receptacle Connectors	383
CU02	USB 2.0 Type-B Receptacle Connectors	384
CU04	Mini USB2.0 5 Circuits Receptacle SMT/DIP Connectors	385
CU09	Micro USB 2.0 Connectors	386
CU05	IEEE 1394 Shielded I/O Receptacle Connectors	387
CU11	HDMI Receptacle Connectors	388
USB-C	USB TYPE C Technical Specifications	389
CU30	USB3.1 Tpye C Plug SMT Type Connectors	391
CU31	USB Tpye C Socket SMT Type Connectors	398
CU32	USB2.0 Tpye C Female SMT Type Connector	400
CU33	USB2.0 Tpye C Female Vertical Type Connectors	411
	USB2.0 Tpye C Plug SMT Type Connectors	414
CU34	USB2.0 Tpye C SMT Type Connectors	415
CU35	USB2.0 Type C Female Connectors	416
CU39	USB2.0 Type C Female Connectors	417
M. RF / Microwave Coaxial Connectors		
CRA	Micro Coaxial Connectors & Cable	420

Connection Combinations of Power Connectors



3.00mm Single Row Right angle SMT & DIP Type



CP

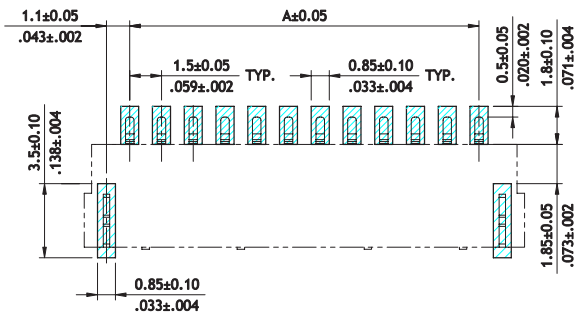
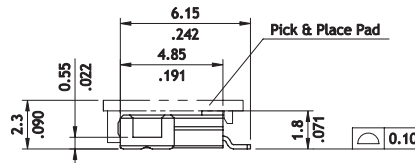
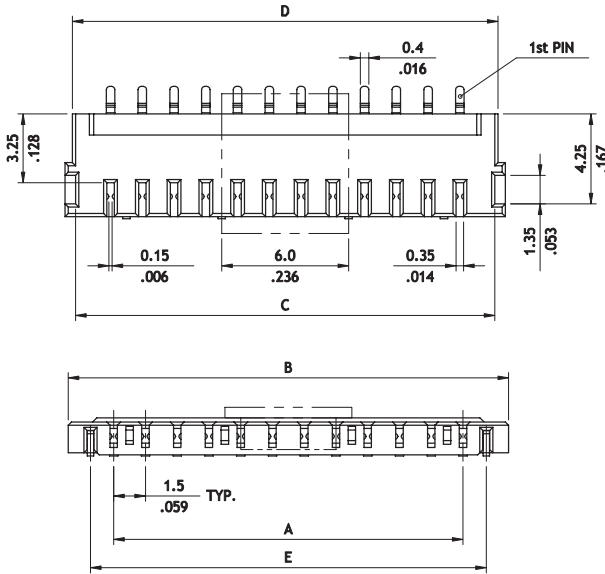
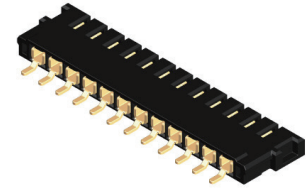
POWER CONNECTORS

CP75 Series 1.50mm (.059) Board to Board Receptacle Connectors

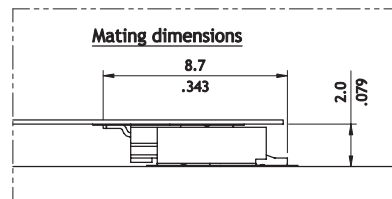
- Ⓞ Locking slots provide secure mating
- Ⓞ Fixed tabs provide PCB hold-down and strain-relief for SMT tails
- Ⓞ Insulator: High Temperature plastic UL94V-0, Color Black
- Ⓞ Mate with CP75 plug connector

NEW

RoHS Compliant



Recommended P.C. Board Layout



Circuits	Dimension				
	A	B	C	D	E
10	13.5(.531)	17.8(.701)	16.8(.661)	17.1(.673)	15.7(.618)
12	16.5(.650)	20.8(.819)	19.8(.780)	20.1(.791)	18.7(.736)

Ordering Code

① ② ③ ④ ⑤ ⑥ ⑦
CP75 10 M E S R0 - NH

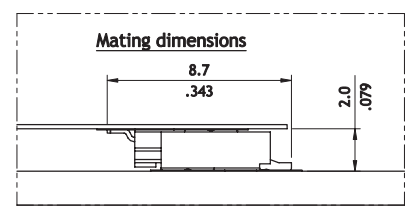
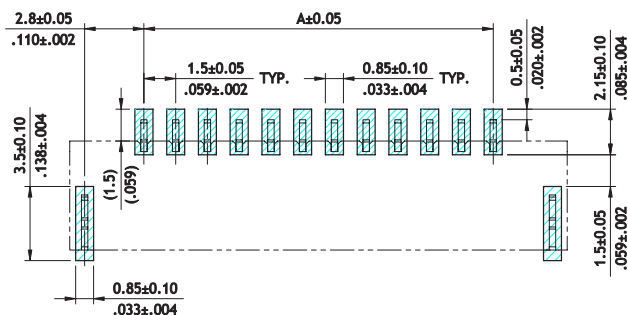
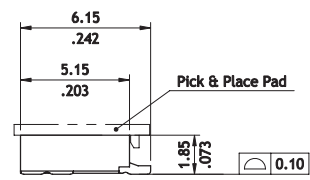
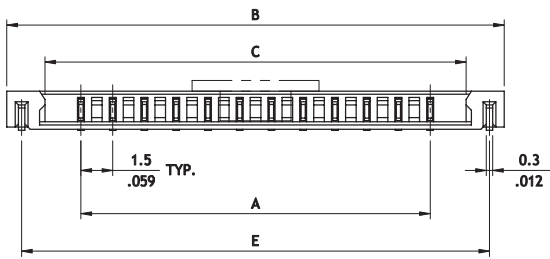
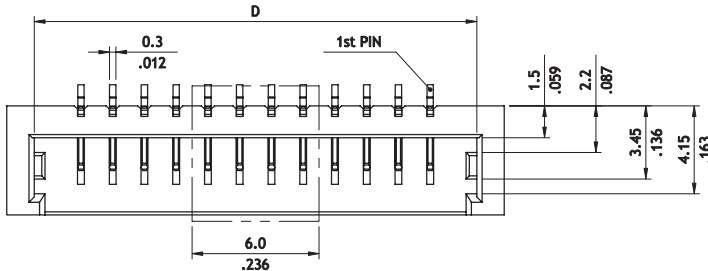
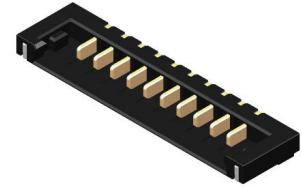
- ① Series No.
- ② No. of Circuits: 10, 12
- ③ M = SMT Type
- ④ Plating Code:
 E = Contact: 10µ" Gold plated over Nickel
 Soldertails: Gold flash plated over Nickel
 G = Contact: 30µ" Gold plated over Nickel
 Soldertails: Gold flash plated over Nickel
- ⑤ Type: S = Receptacle
- ⑥ Packing Option : R0 = Tape & Reel packing
- ⑦ NH= For Lead Free soldering process and Halogen-Free

CP75 Series 1.50mm (.059) Board to Board Plug Connectors

- Ⓞ Locking slots provide secure mating
- Ⓞ Fixed tabs provide PCB hold-down and strain-relief for SMT tails
- Ⓞ Insulator: High Temperature plastic UL94V-0, Color Black
- Ⓞ Mate with CP75 receptacle connector

NEW

RoHS Compliant  



Recommended P.C. Board Layout

Circuits	Dimension				
	A	B	C	D	E
10	13.5(.531)	20.5(.807)	16.9(.665)	17.9(.705)	19.1(.752)
12	16.5(.650)	23.5(.925)	19.9(.783)	20.9(.823)	22.1(.870)

Ordering Code

① ② ③ ④ ⑤ ⑥ ⑦
CP75 10 M E P R0 - NH

- ① Series No.
- ② No. of Circuits: 10, 12
- ③ M = SMT Type
- ④ Plating Code:
 E = Contact: 10µ" Gold plated over Nickel
 Solder tails: Gold flash plated over Nickel
 G = Contact: 30µ" Gold plated over Nickel
 Solder tails: Gold flash plated over Nickel
- ⑤ Type: P = Plug
- ⑥ Packing Option : R0 = Tape & Reel packing
- ⑦ NH= For Lead Free soldering process and Halogen-Free

CP

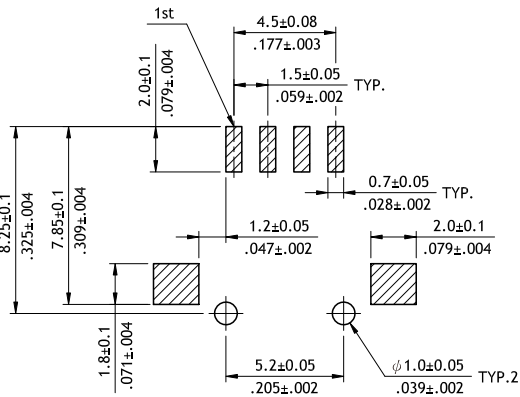
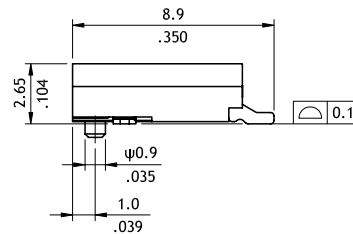
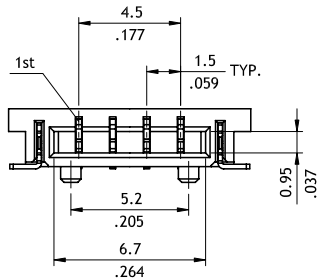
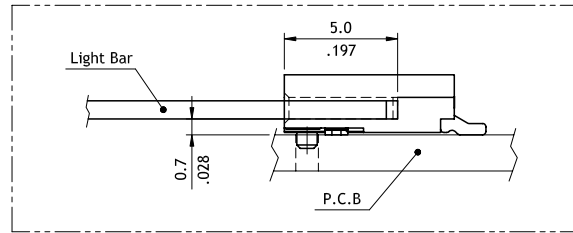
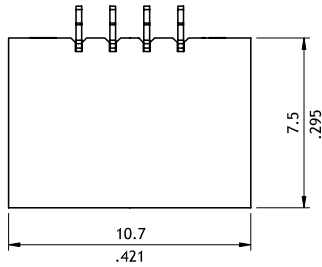
POWER CONNECTORS

CP14 Series 1.50mm(.059") Single Row Side Entry SMT Headers

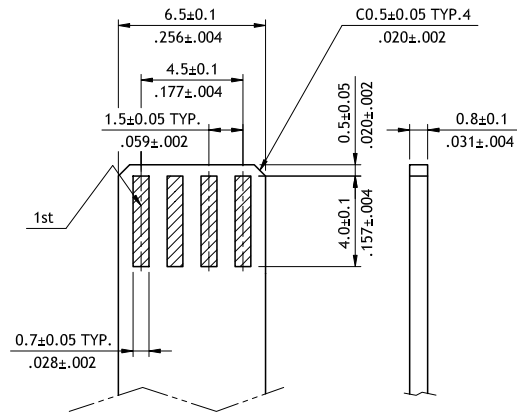
- ⊙ Simplify manufacturing procedure
- ⊙ Reduce the Cost
- ⊙ FPC zero insertion force and high holding force
- ⊙ Insulation: High temperature plastic UL 94V-0, Color Black
- ⊙ With metal fixed tabs to secure connector in place



RoHS Compliant



Recommended Connector PCB Layout

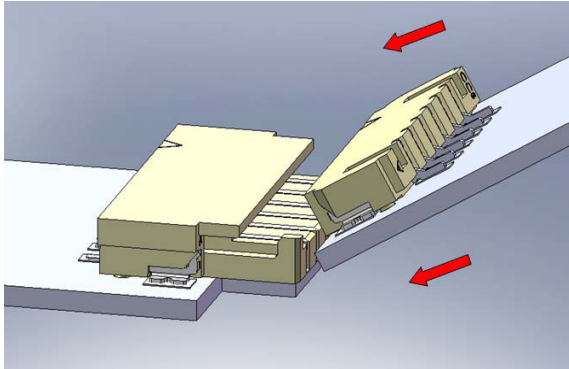


Recommended Light Bar PCB Layout

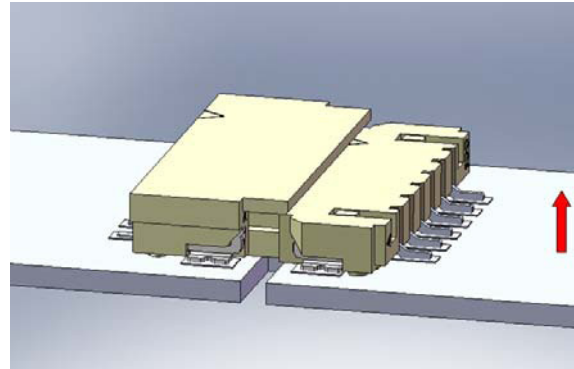
Ordering Code	①	②	③	④	⑤	⑥	⑦	⑧
	CP	14	04	M	1	H	R	B - NH

① Series No.
 ② No. of Circuits: 4
 *Circuits not found above, please consult manufacturer
 ③ M = SMT Type
 ④ Plating Code : 1 = Matte Tin over Nickel
 ⑤ Type: H = Side Entry
 ⑥ Packing Options: R = Tape & Reel
 ⑦ Other Options: B = Upside Contact
 ⑧ NH = For Lead Free soldering process and Halogen-Free

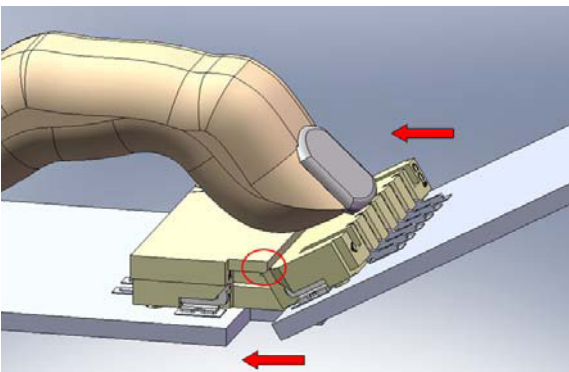
CP15 Series 1.50mm(.069") SMT Headers



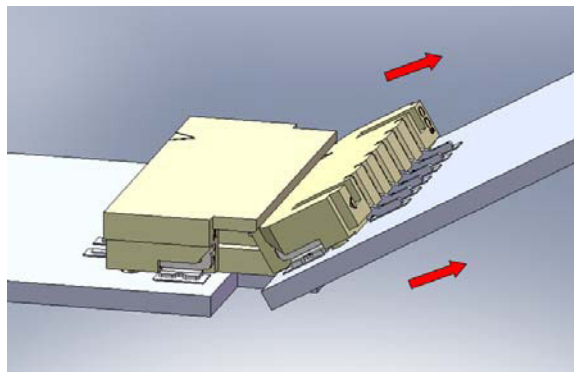
Step 1:
The male header should be tilted during insertion.



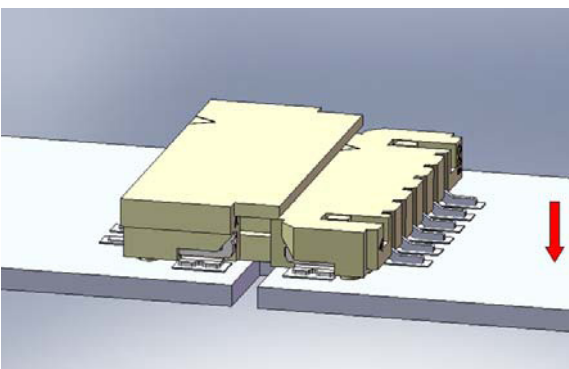
Step 1:
Lift the male header up at 30°~60°.



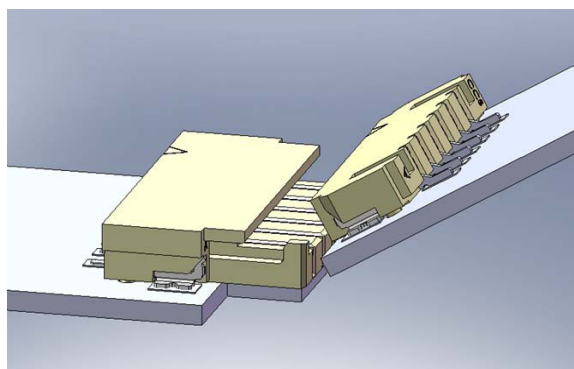
Step 2:
Push the male header to the end. Make sure the male header is under the rib of female header by finger.



Step 2:
Remove male header at an angle to finish the disconnection.



Step 3:
Press down the male header down vertically to finish the connection.



Step 3:
Finish

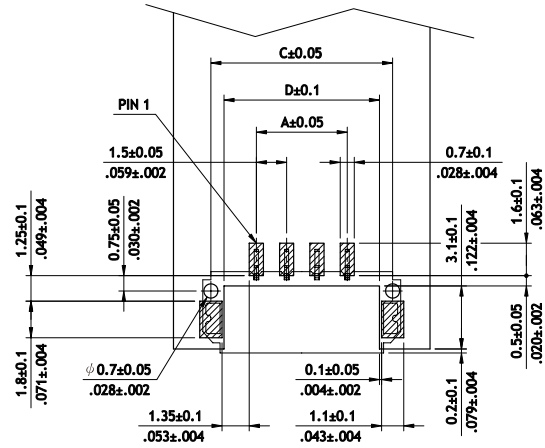
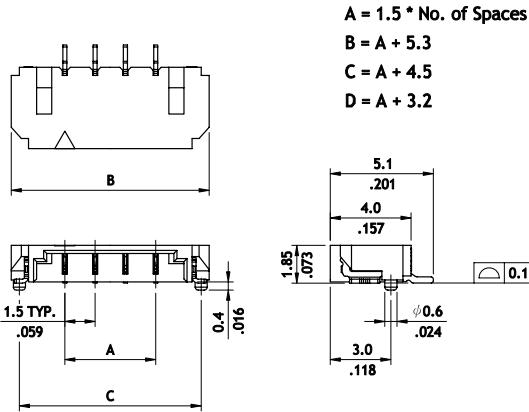
CP15 Series 1.50mm(.069") SMT Headers (Mating height 2.50mm)

- Simplify manufacturing procedure
- Reduce the Cost
- Insulator: High temperature plastic UL 94V-0
- With metal fixed tabs to secure connector in place

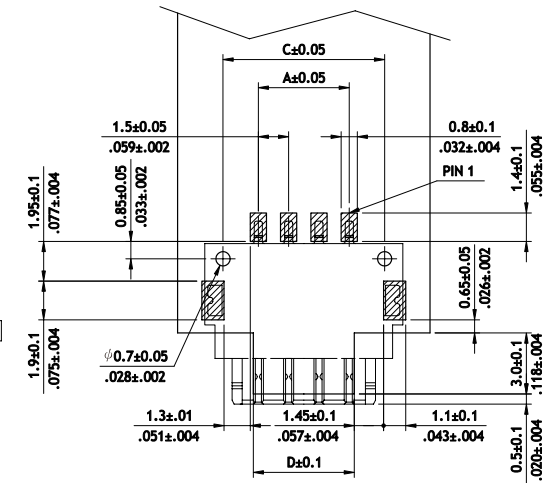
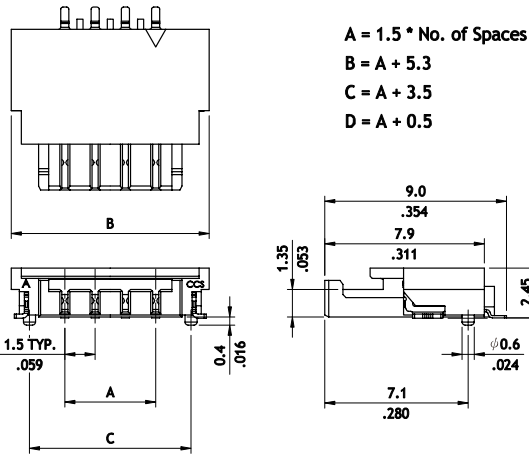
RoHS Compliant



P/N CP15**M1PRO-NH



P/N CP15**M1SR0-NH



Ordering Code

① CP 15 ② 04 ③ M ④ 1 ⑤ S ⑥ R ⑦ 0 ⑧ - NH

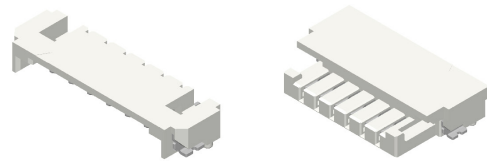
- ① Series No.
- ② No. of Circuits: 02 ~ 05 (Available in 3, 4, 5pin)
*Circuits not found above, please consult manufacturer
- ③ M = SMT Type

- ④ Plating Code :
1 = Matte Tin over Nickel
- ⑤ Type: P = Plug
S = Receptacle
- ⑥ Packing Options:
R = Tape & Reel

- ⑦ Other Options:
0 = Standard (Full of pin)
1 = Omitted pin No.2 (3 pin)
*Special option consult manufacturer
- ⑧ NH = For Lead Free IR process and Halogen-Free

CP15 Series 1.50mm(.069") SMT Headers (Mating height 3.0mm)

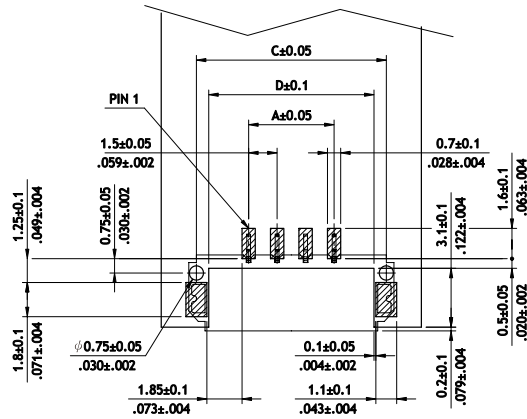
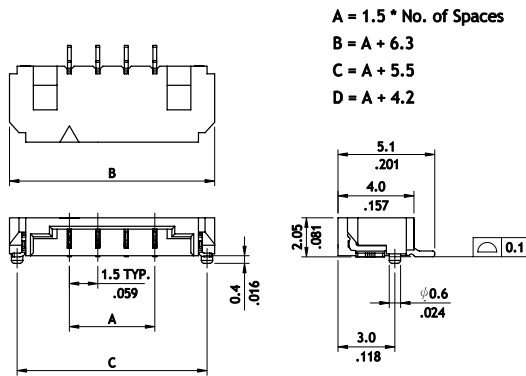
- ⊙ With taller height, width and enhanced structure
- ⊙ Simplify manufacturing procedure
- ⊙ Reduce the cost
- ⊙ Insulator: High temperature plastic UL 94V-0
- ⊙ With metal fixed tabs to secure connector in place



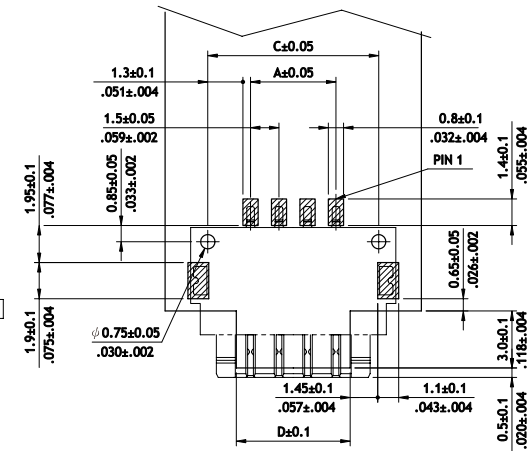
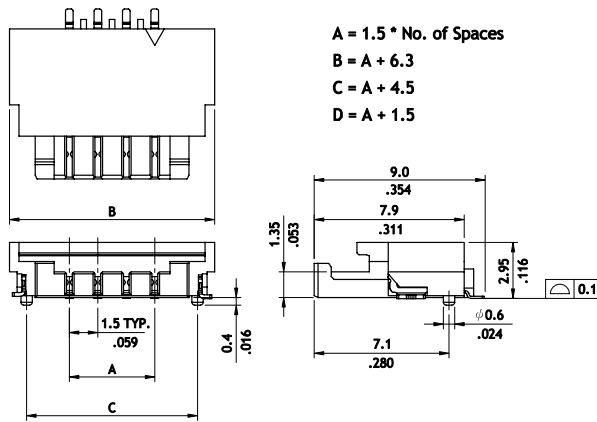
RoHS Compliant

CP

P/N CP15**M1PRB-NH



P/N CP15**M1SRB-NH



Ordering Code

① ② ③ ④ ⑤ ⑥ ⑦ ⑧
CP1504M1SRB-NH

- ① Series No.
- ② No. of Circuits: 02 ~ 05(Available in 03, 04 pin)
 *Circuits not found above , please consult manufacturer
- ③ M = SMT Type
- ④ Plating Code : 1 = Matte Tin over Nickel
- ⑤ Type: P = Plug S = Receptacle
- ⑥ Packing Options : R = Tape & Reel

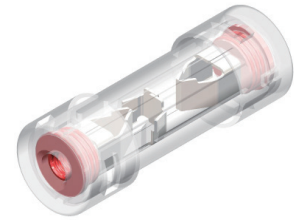
- ⑦ Other Options:
 A = Omitted pin No.2 (3 pin)
 B = Standard (Full of pin)
 *Special option consult manufacturer
- ⑧ NH = For Lead Free IR process and Halogen-Free

POWER CONNECTORS

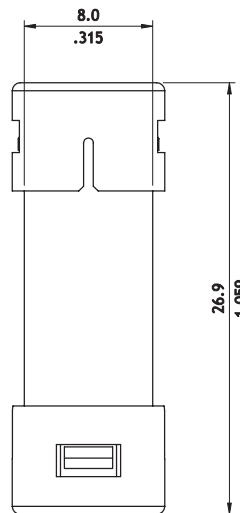
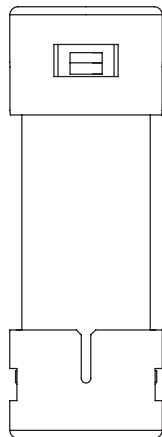
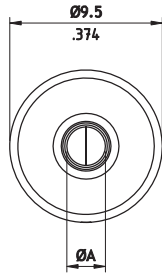
CPB1 Series Waterproof Connectors

- ⊙ Insulator: Polycarbonate UL 94 V-2 Color Nature
- ⊙ Contact : Copper Alloy
- ⊙ According to IEC 60529 IPX7
- ⊙ Wire to Wire connecting
- ⊙ Maximum applied current 15A for AWG 14

NEW



RoHS Compliant



	DIM.A	Waterproof stopper color	Wire Range	Insulation Diameter	Single core wire Core Diameter	Multi-core wire Core Diameter
CPB101S1010-NH	1.70	Red	Awg18	2.00	1.02	1.20 max.
CPB101S1020-NH	2.00	Green	Awg16	2.25	1.29	1.35 max.
			Awg14	2.55	1.63	1.80 max.

Ordering Code

① ② ③ ④ ⑤ ⑥ ⑦

CPB1 01 S 1 01 0 - NH

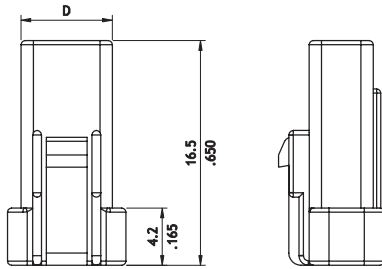
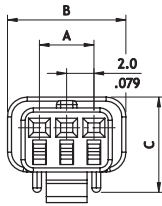
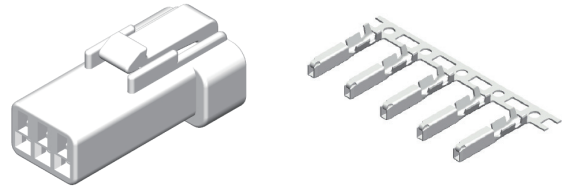
- ① Series No.
- ② No. of Circuits: 01
- ③ S = Housing
- ④ Plating Code : 1 = Tin over Nickel
- ⑤ DIM.A:
01= For Wire insulation O.D.=2.00mm
02= For Wire Insulation O.D.=2.25 and 2.55mm
- ⑥ Option : 0 = Standard
- ⑦ NH= For Lead Free soldering process and Halogen-Free

CPB2 Series 2.00mm (.079) Waterproof Connectors

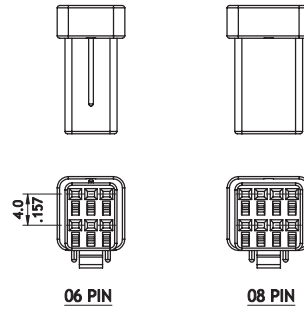
- ⊙ Mate with CPB2 connector
- ⊙ Can be used with CPB2 Crimp Clip Receptacle terminal
- ⊙ Insulator : PBT UL94V-0, Nature Color
- ⊙ According to IEC 60529 IPX7



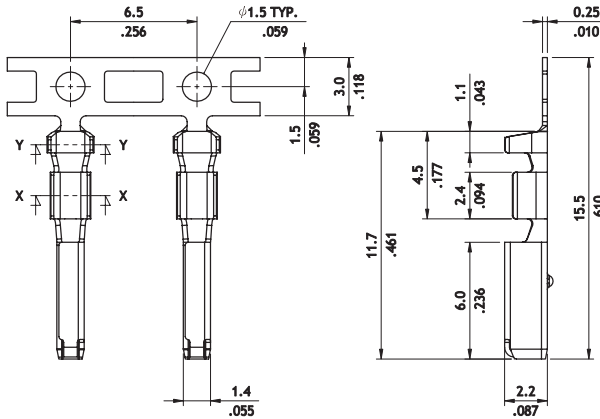
RoHS Compliant



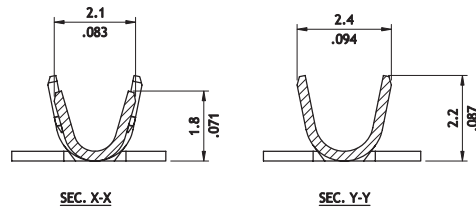
02-04 PIN



Circuits	Dimension			
	A	B	C	D
2	-	6.7(.264)	7.0(.276)	4.7(.185)
3	4.0(.157)	8.7(.343)	7.0(.276)	6.7(.264)
4	6.0(.236)	10.7(.421)	7.0(.276)	8.7(.343)
6	4.0(.157)	8.7(.343)	11.0(.433)	6.7(.264)
8	6.0(.236)	10.7(.421)	11.0(.433)	8.7(.343)



Wire Range	Insulation Diameter	Reel Q'ty
AWG #22-#26	1.4-1.7mm	10,000 PCS



Ordering Code

① ② ③ ④ ⑤ ⑥
CPB 2 0 8 S 0 R 00

① ② ③ ④ ⑤
CPB 2 T 0 2 1 P ES

- ① Series No.
- ② No. of Circuits: 02 ,03 , 04 , 06 , 08
- ③ S = Receptacle
- ④ 0 = Single Row (2P, 3P, 4P only)
D = Dual Row (6P , 8P , only)
- ⑤ R=Rubber Seal
- ⑥ Other Options: 00= Standard

- ① Series No.
- ② Type:
T01 = AWG #22 ~ #26
- ③ Plating Code :
1 = Tin over Nickel

- ④ Material:
P = Phosphor Bronze
- ⑤ ES= Receptacle Terminal

CP

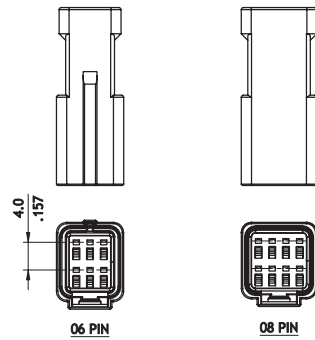
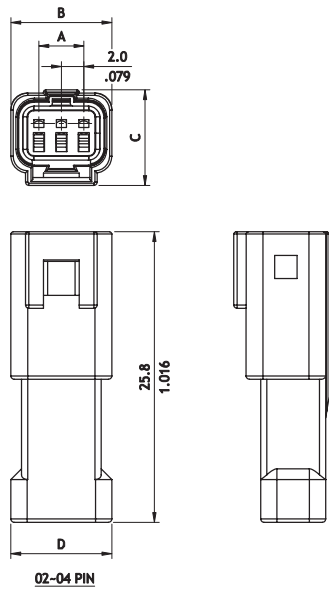
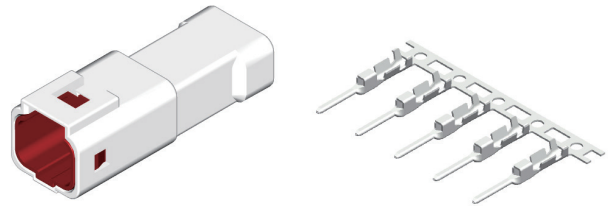
POWER CONNECTORS

CPB2 Series 2.00mm (.079) Waterproof Connectors

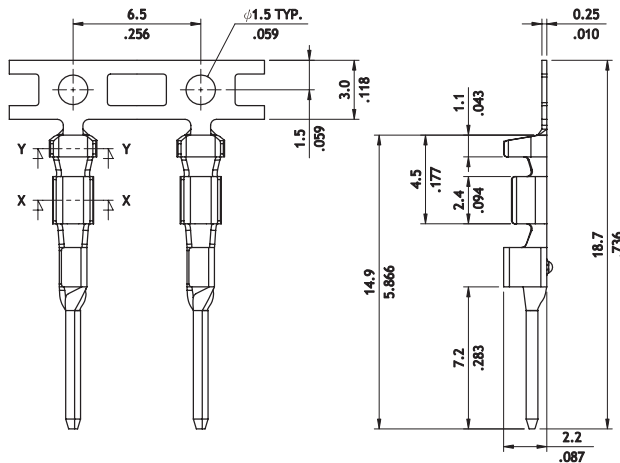
- Ⓞ Mate with CPB2 connector
- Ⓞ Can be used with CPB2 Crimp Clip Receptacle terminal
- Ⓞ Insulator : PBT UL94V-0, Nature Color
- Ⓞ According to IEC 60529 IPX7

NEW

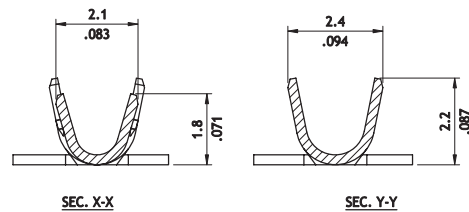
RoHS Compliant



Circuits	Dimension			
	A	B	C	D
2	-	7.0(.276)	8.2(.323)	7.0(.276)
3	4.0(.157)	9.0(.354)	8.5(.335)	9.0(.354)
4	6.0(.236)	11.0(.433)	8.5(.335)	11.0(.433)
6	4.0(.157)	9.8(.386)	12.9(.508)	9.0(.354)
8	6.0(.236)	11.0(.433)	12.2(.480)	11.0(.433)



Wire Range	Insulation Diameter	Reel Q'ty
AWG #22-#26	1.4-1.7mm	10,000 PCS



Ordering Code

① ② ③ ④ ⑤ ⑥
CPB 2 08 P 0 R 00

① ② ③ ④ ⑤
CPB 2 T02 1 B P

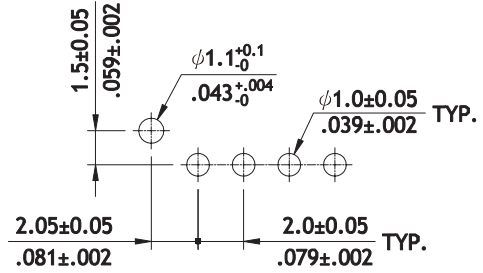
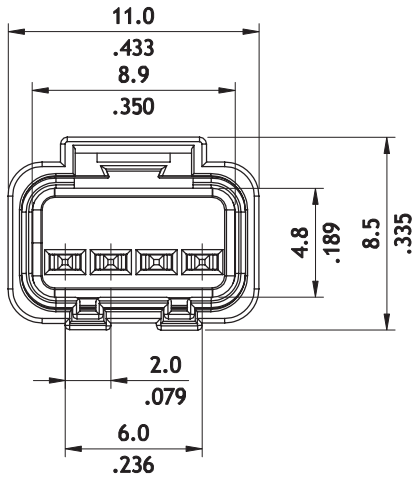
- ① Series No.
- ② No. of Circuits: 02 ,03 , 04 , 06 , 08
- ③ P = Plug Housing
- ④ 0 = Single Row (2P, 3P, 4P only)
D = Dual Row (6P , 8P , only)
- ⑤ R=Rubber Seal
- ⑥ Other Options: 00= Standard

- ① Series No.
- ② Type: T01 = AWG #22 ~ #26
- ③ Plating Code :
1 = Tin over Nickel
- ④ Material : B = Brass
- ⑤ PP= Plug Terminal

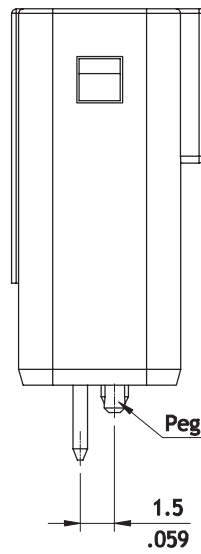
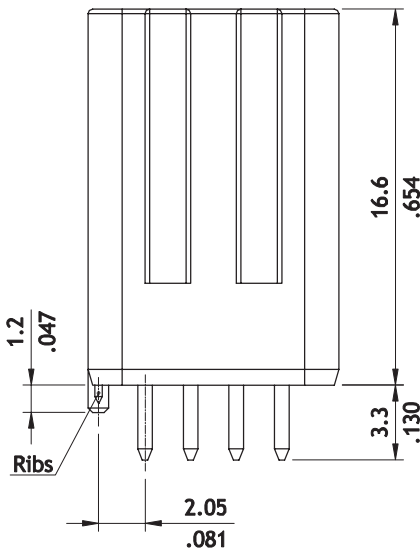
CPB2 Series 2.00mm (.079) Waterproof Connectors

- ⊙ Mate with CPB2 connector
- ⊙ Can be used with CPB2 Crimp Clip Receptacle terminal
- ⊙ Insulator : PBT UL94V-0, Nature Color
- ⊙ According to IEC 60529 IPX7

NEW



Recommended P.C. Board Layout



Ordering Code

① ② ③ ④ ⑤ ⑥ ⑦ ⑧
CPB2 04 S 1 V 0 A - NH

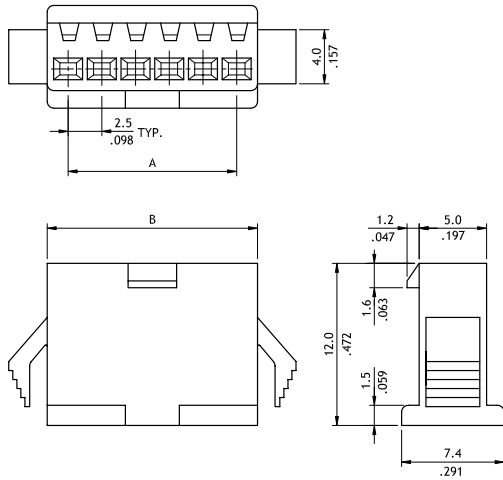
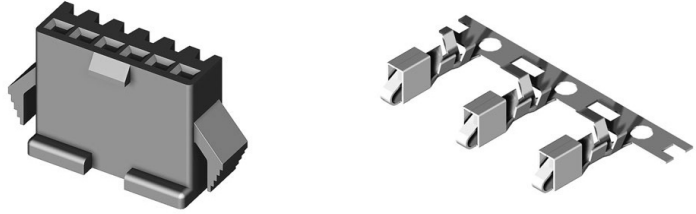
- ① Series No.
- ② No. of Circuits: 04
- ③ S = Single Row
- ④ Plating Code : 1 = Tin over Nickel

- ⑤ V = Straight
- ⑥ 0 = DIP Type
- ⑦ Other Option :
 0 = The Peg With Ribs (Standard)
 A = Ther Peg Without Ribs
- ⑧ NH= For Lead Free soldering process and Halogen-Free

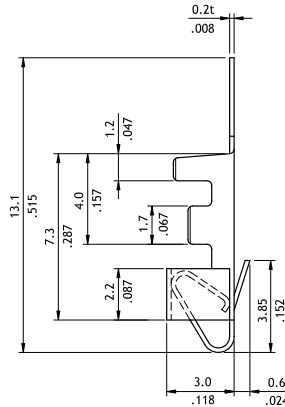
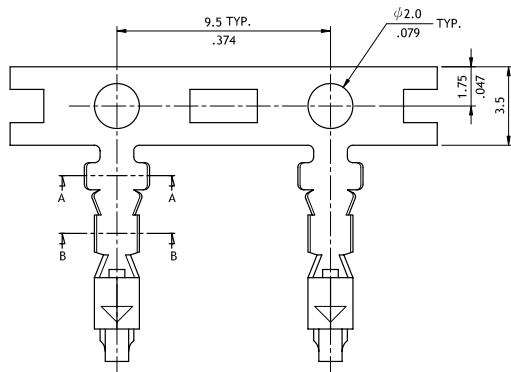
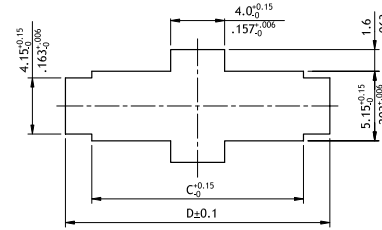
CP06 Series 2.50mm(.098") Receptacle Connectors

- ⊙ With locking latch mounting ears
- ⊙ Available in 2 through 12 circuits
- ⊙ Can be used with CP06 Crimp terminal
- ⊙ Nylon 66 UL 94V-2, Color Black

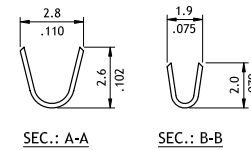
RoHS Compliant



Circuits	Dimension			Dimension D		
	A	B	C	t= 0.5-0.9mm	t= 1.0-1.5mm	t= 1.5-2.0mm
2	2.5(.098)	5.7(.224)	5.8(.228)	9.6(.378)	9.8(.386)	10.0(.394)
3	5.0(.197)	8.2(.323)	8.3(.327)	12.1(.476)	12.3(.484)	12.5(.492)
4	7.5(.295)	10.7(.421)	10.8(.425)	14.6(.575)	14.8(.583)	15.0(.591)
5	10.0(.394)	13.2(.519)	13.3(.524)	17.1(.673)	17.3(.681)	17.5(.689)
6	12.5(.492)	15.7(.618)	15.8(.622)	19.6(.772)	19.8(.780)	20.0(.787)
7	15.0(.591)	18.2(.717)	18.3(.720)	22.1(.870)	22.3(.878)	22.5(.886)
8	17.5(.689)	20.7(.815)	20.8(.819)	24.6(.969)	24.8(.976)	25.0(.984)
9	20.0(.787)	23.2(.913)	23.3(.917)	27.1(1.067)	27.3(1.075)	27.5(1.083)
10	22.5(.886)	25.7(1.021)	25.8(1.016)	29.6(1.165)	29.8(1.173)	30.0(1.181)
11	25.0(.984)	28.2(1.110)	28.3(1.114)	32.1(1.264)	32.3(1.272)	32.5(1.280)
12	27.5(1.083)	30.7(1.209)	30.8(1.213)	34.6(1.362)	34.8(1.370)	35.0(1.378)



Wire Range	Insulation Diameter	Reel Qty
AWG #22-#28	1.70 (.064) MAX.	7,000 PCS.



Ordering Code

① ② ③ ④ ⑤
CP06 12 S 001 0

① ② ③ ④ ⑤
CP06 T02 1 B ES

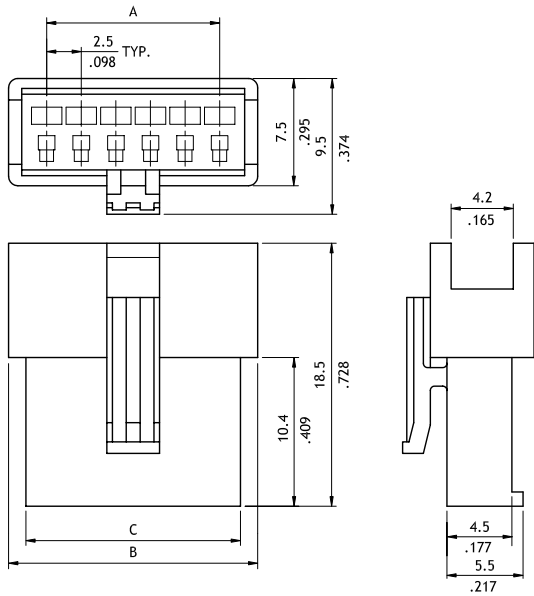
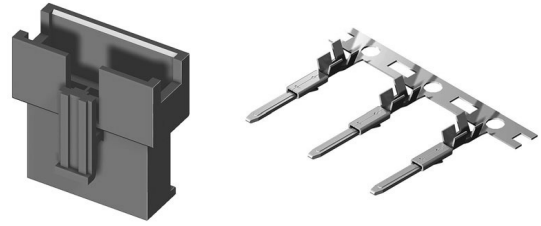
- ① Series No.
 - ② No. of Circuits: 02 ~ 12
 - ③ Type: S = Receptacle
 - ④ Color: 001 = Color Black
 - ⑤ Other Options: 0 = Standard
- *Special options consult manufacturer

- ① Series No.
- ② Wire Range: T02 = AWG #22 ~ #28
- ③ Plating Code : 1 = Tin over Nickel
- ④ Material: B = Brass
- ⑤ Style: ES = Receptacle Terminal

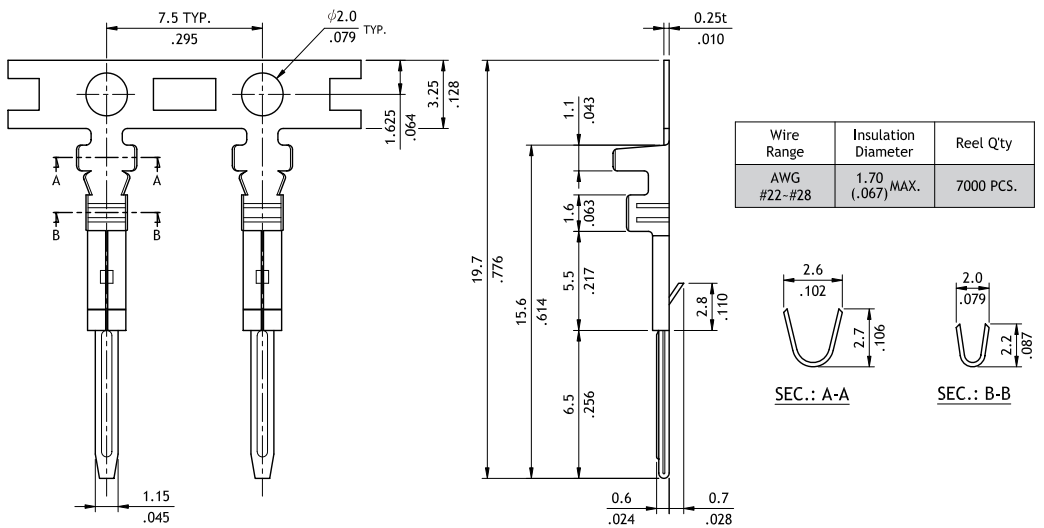
CP06 Series 2.50mm(.098") Plug Connectors

- ⊙ With locking latch mounting ears
- ⊙ Available in 2 through 12 circuits
- ⊙ Can be used with CP06 Crimp terminal
- ⊙ Nylon 66 UL 94V-2, Color Black

RoHS Compliant 



Circuits	Dimension		
	A	B	C
2	2.5(.098)	8.2(.323)	5.5(.216)
3	5.0(.197)	10.7(.421)	8.0(.315)
4	7.5(.295)	13.2(.519)	10.5(.413)
5	10.0(.394)	15.7(.618)	13.0(.512)
6	12.5(.492)	18.2(.717)	15.5(.610)
7	15.0(.591)	20.7(.815)	18.0(.709)
8	17.5(.689)	23.2(.915)	20.5(.807)
9	20.0(.787)	25.7(1.012)	23.0(.905)
10	22.5(.886)	28.2(1.110)	25.5(1.004)
11	25.0(.984)	30.7(1.209)	28.0(1.102)
12	27.5(1.083)	33.2(1.307)	30.5(1.201)



Wire Range	Insulation Diameter	Reel Qty
AWG #22-#28	1.70 (.067) MAX.	7000 PCS.

Ordering Code

①	②	③	④	⑤	①	②	③	④	⑤
CP06	12	P	001	0	CP06	T02	1	B	EP

① Series No.

② No. of Circuits: 02 ~ 12

③ Type: P = Plug

④ Color: 001 = Color Black

⑤ Other Options: 0 = Standard

*Special options consult manufacturer

① Series No.

② Wire Range: T02 = AWG #22 ~ #28

③ Plating Code: 1 = Tin over Nickel

④ Material: B = Brass

⑤ Style: EP = Plug Terminal

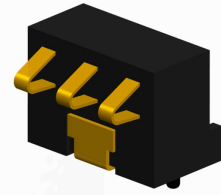
CP

POWER CONNECTORS

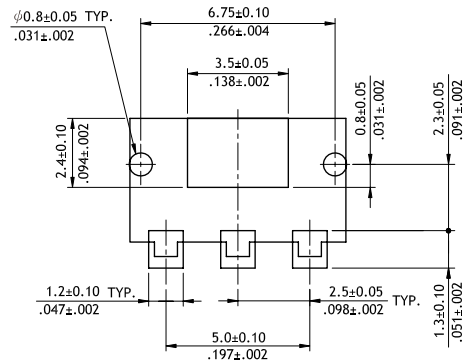
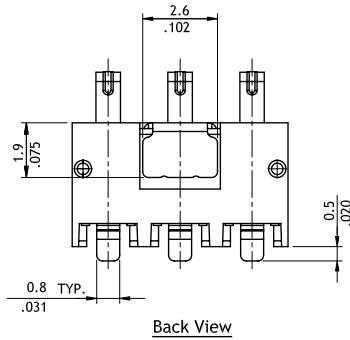
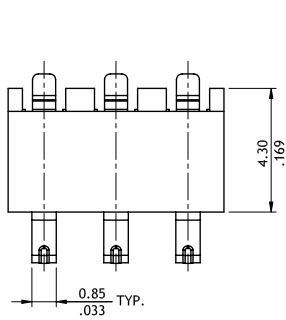
CP25 Series 2.50mm(.098") Receptacle Battery Connectors

Ⓞ Insulator:High Temperature plastic UL94V-0, Color Black

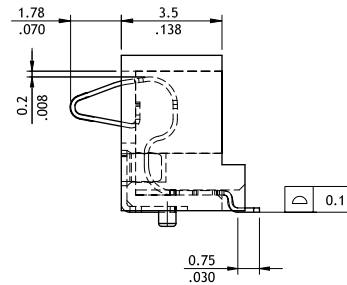
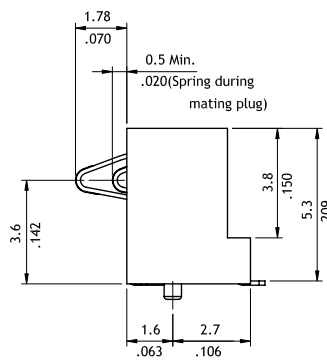
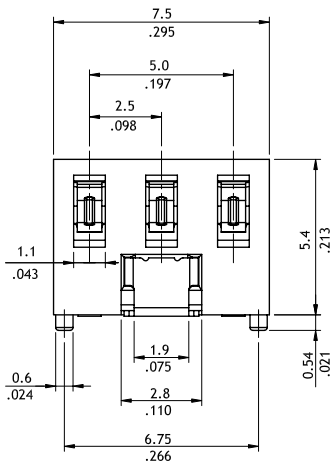
RoHS Compliant



CP



Recommended P.C Board Layout
Thickness: 0.80mm



Ordering Code

① ② ③ ④ ⑤ ⑥ ⑦
CP 2 5 0 3 S 2 M R B

- ① Series No.
- ② No. of Circuits: 3
- ③ S = Receptacle
- ④ Plating Code : 2 = Gold flash over Nickel

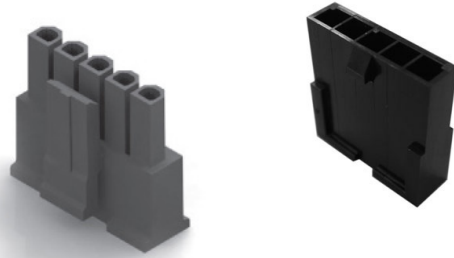
- ⑤ Type: M = SMT Type
- ⑥ Packing option: R= Tape & Reel
- ⑦ Other Options: B: Height = 5.4mm

POWER CONNECTORS

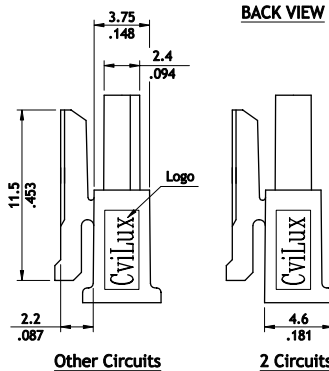
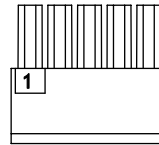
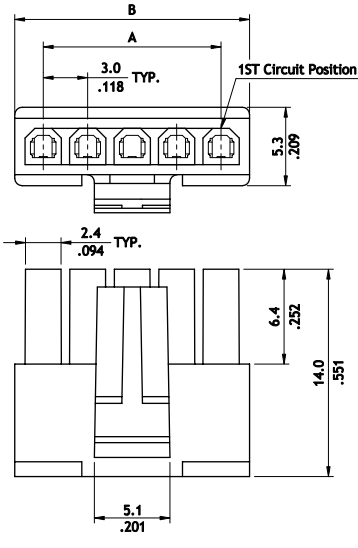
CP35 Series 3.00mm(.118") Single Row Housing Connectors

- ⊙ With locking latch and mounting ears
- ⊙ Available in 2 through 12 circuits
- ⊙ Can be used with CP35 Crimp terminal
- ⊙ Thermal Polyester UL 94V-0, Color Black

RoHS Compliant

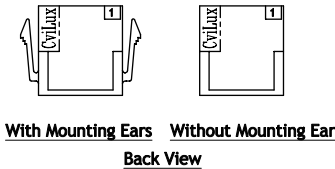
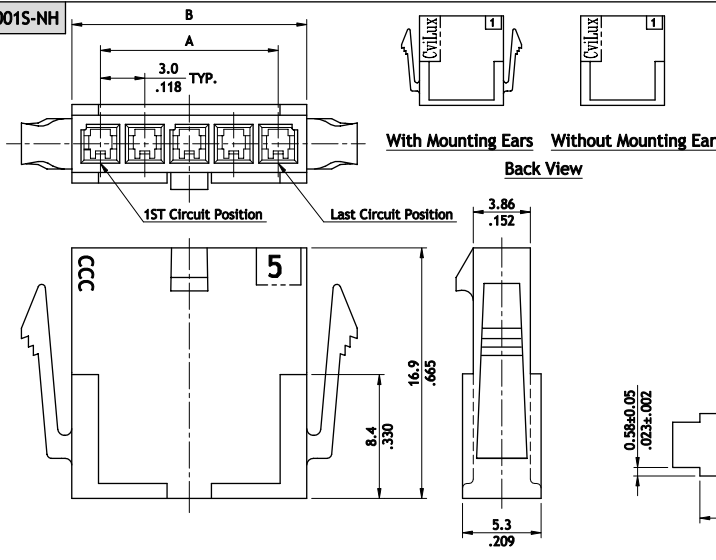


P/N **CP35**S001S-NH**

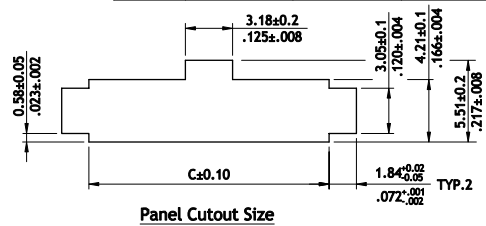


Circuits	Dimension	
	A	B
2	3.0(.118)	6.9(.272)
3	6.0(.236)	9.9(.390)
4	9.0(.354)	12.9(.508)
5	12.0(.472)	15.9(.626)
6	15.0(.591)	18.9(.744)
7	18.0(.709)	21.9(.862)
8	21.0(.827)	24.9(.980)
9	24.0(.945)	27.9(1.098)
10	27.0(1.063)	30.9(1.217)
11	30.0(1.181)	33.9(1.335)
12	33.0(1.299)	36.9(1.453)

P/N **CP35**P001S-NH**



Circuits	Dimension		
	A	B	C
2	3.0(.118)	6.86(.270)	7.21(.284)
3	6.0(.236)	9.86(.388)	10.21(.402)
4	9.0(.354)	12.86(.506)	13.21(.520)
5	12.0(.472)	15.86(.624)	16.21(.638)
6	15.0(.591)	18.86(.742)	19.21(.756)
7	18.0(.709)	21.86(.860)	22.20(.874)
8	21.0(.827)	24.86(.978)	25.20(.992)
9	24.0(.945)	27.86(1.096)	28.20(1.110)
10	27.0(1.063)	30.86(1.214)	31.22(1.229)
11	30.0(1.181)	33.86(1.332)	34.22(1.347)
12	33.0(1.299)	36.86(1.450)	37.22(1.465)



Ordering Code

① CP 3 5 ② 1 2 ③ S ④ 001 ⑤ S - NH ① CP 3 5 ② 1 2 ③ P ④ 0 ⑤ 0 0 1 ⑥ S - NH ⑦

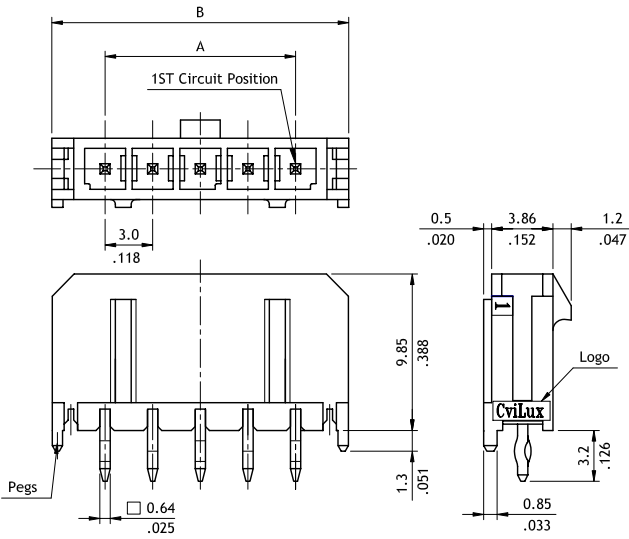
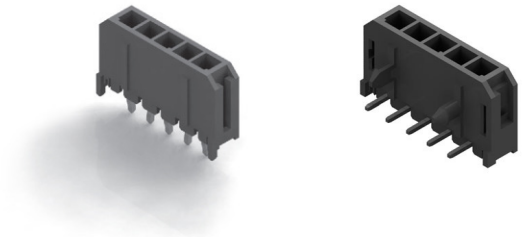
- ① Series No.
- ② No. of Circuits: 02 ~ 12
- ③ Type: S = Receptacle
- ④ Color: 001 = Color Black
- ⑤ Other Options: S = Single Row Type
- ⑥ NH = For Lead Free soldering process and Halogen-Free

- ① Series No.
- ② No. of Circuits: 02 ~ 12
- ③ Type: P = Plug
- ④ Options:
0 = With mounting ears
R = Without mounting ears
- ⑤ Color: 01 = Color Black
- ⑥ Other Options : S = Single Row Type
- ⑦ NH = For Lead Free soldering process and Halogen-Free

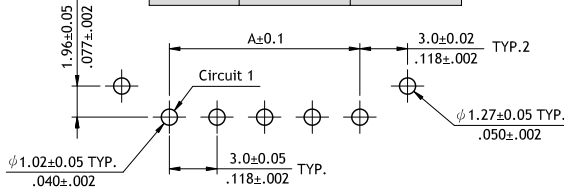
CP35 Series 3.00mm(.118") Single Row Board Mount Headers

- ⊙ Mates with CP35 Connector
- ⊙ Shrouded header with PCB mounting pegs or board locks
- ⊙ Available straight and right angle solder Tails

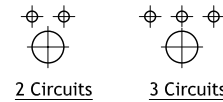
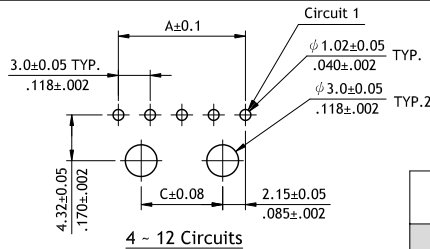
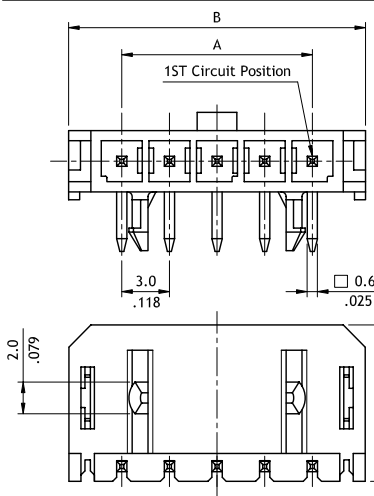
RoHS Compliant



Circuits	Dimension	
	A	B
2	3.0(.118)	9.65(.380)
3	6.0(.236)	12.65(.498)
4	9.0(.354)	15.65(.616)
5	12.0(.472)	18.65(.734)
6	15.0(.591)	21.65(.852)
7	18.0(.709)	24.65(.970)
8	21.0(.827)	27.65(1.089)
9	24.0(.945)	30.65(1.207)
10	27.0(1.063)	33.65(1.325)
11	30.0(1.181)	36.65(1.443)
12	33.0(1.299)	39.65(1.561)



Recommended P.C. Board layout



Circuits	Dimension		
	A	B	C
2	3.0(.118)	9.65(.380)	—
3	6.0(.236)	12.65(.498)	—
4	9.0(.354)	15.65(.616)	4.7(.185)
5	12.0(.472)	18.65(.734)	7.7(.303)
6	15.0(.591)	21.65(.852)	10.7(.421)
7	18.0(.709)	24.65(.970)	13.7(.539)
8	21.0(.827)	27.65(1.089)	16.7(.657)
9	24.0(.945)	30.65(1.207)	19.7(.776)
10	27.0(1.063)	33.65(1.325)	22.7(.894)
11	30.0(1.181)	36.65(1.443)	25.7(1.012)
12	33.0(1.299)	39.65(1.561)	28.7(1.130)

Ordering Code

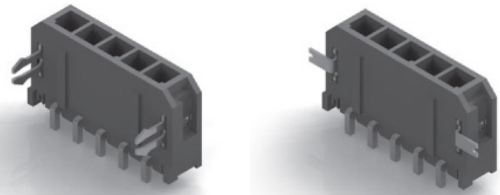
① ② ③ ④ ⑤ ⑥ ⑦ ⑧ ⑨
CP 3 5 1 2 P 1 V 0 0 - S - NH

- ① Series No.
- ② No. of Circuits: 02 ~12
- ③ P = Plug
- ④ Plating Code : 1 = Matte Tin over Nickel
 *Optional plating available but MOQ requested
- ⑤ Contact Type : V = Straight , H = Right Angle
- ⑥ Mount Type : 0 = DIP Type
- ⑦ Other Options:
 0 = With pegs (Straight)
 0 = With plastic board lock (Right Angle)
- ⑧ S= Single Row Header
- ⑨ NH = For Lead Free soldering process and Halogen-Free

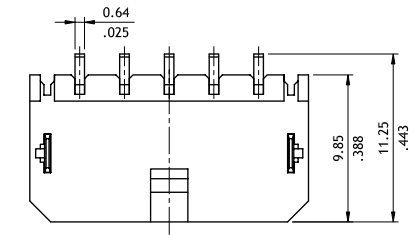
CP35 Series 3.00mm(.118") Single Row Side Entry SMT Headers

- ⊙ Mates with CP35 Connector
- ⊙ Shrouded header with PCB board locks or fixed tabs
- ⊙ High temperature plastic for SMT process

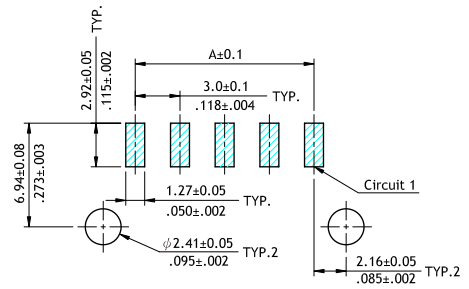
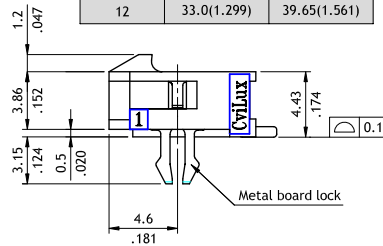
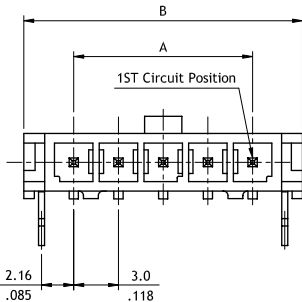
RoHS Compliant 



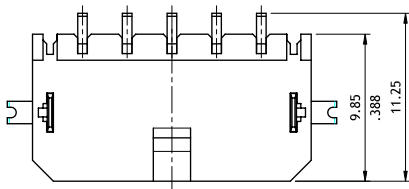
CP



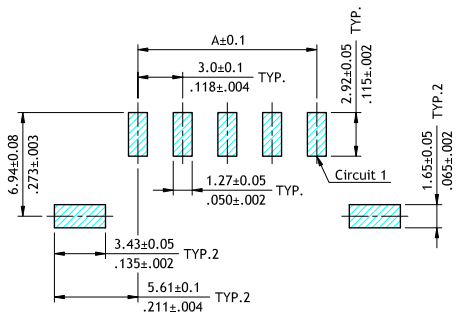
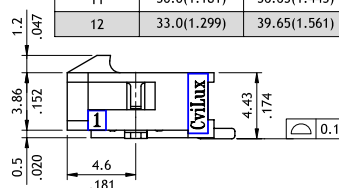
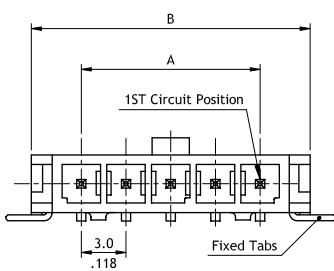
Circuits	Dimension	
	A	B
2	3.0(.118)	9.65(.380)
3	6.0(.236)	12.65(.498)
4	9.0(.354)	15.65(.616)
5	12.0(.472)	18.65(.734)
6	15.0(.591)	21.65(.852)
7	18.0(.709)	24.65(.970)
8	21.0(.827)	27.65(1.089)
9	24.0(.945)	30.65(1.207)
10	27.0(1.063)	33.65(1.325)
11	30.0(1.181)	36.65(1.443)
12	33.0(1.299)	39.65(1.561)



Recommended P.C. Board Layout



Circuits	Dimension	
	A	B
2	3.0(.118)	9.65(.380)
3	6.0(.236)	12.65(.498)
4	9.0(.354)	15.65(.616)
5	12.0(.472)	18.65(.734)
6	15.0(.591)	21.65(.852)
7	18.0(.709)	24.65(.970)
8	21.0(.827)	27.65(1.089)
9	24.0(.945)	30.65(1.207)
10	27.0(1.063)	33.65(1.325)
11	30.0(1.181)	36.65(1.443)
12	33.0(1.299)	39.65(1.561)



Recommended P.C. Board Layout

Ordering Code

① CP ② 35 ③ 12 ④ P ⑤ 1 ⑥ H ⑦ S ⑧ 0 - ⑨ S - NH

- ① Series No.
- ② No. of Circuits: 02 ~12
- ③ P = Plug
- ④ Plating Code : 1 = Matte Tin over Nickel
- ⑤ Contact Type: H = Side Entry

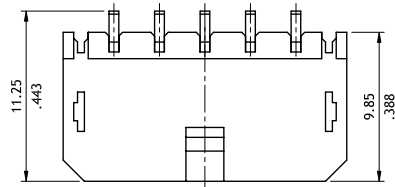
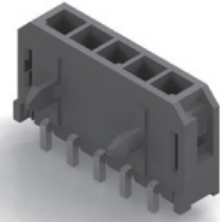
- ⑥ Mount Type: S = SMT Type
- ⑦ Other Options:
0 = With Metal board lock
T = With Fixed Tabs (Available for Tape & Reel)
- ⑧ S= Single Row Header
- ⑨ NH = For Lead Free soldering process and Halogen-Free

POWER CONNECTORS

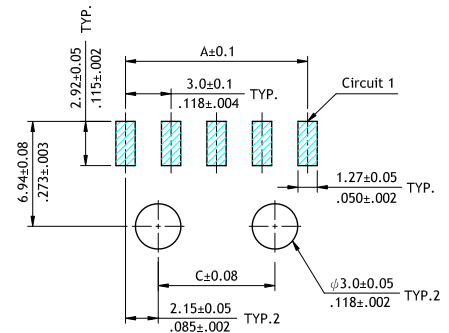
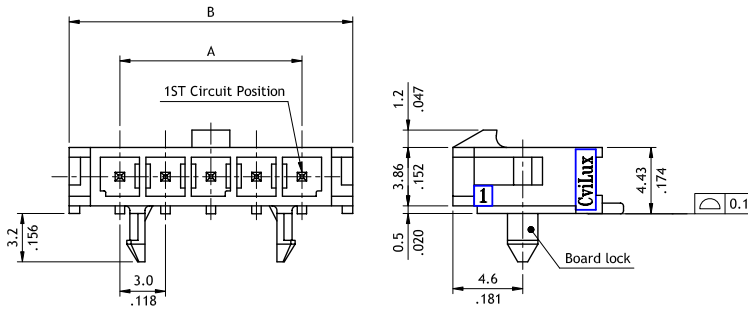
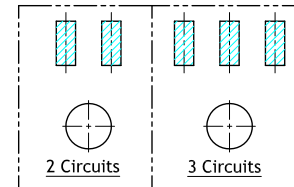
CP35 Series 3.00mm(.118") Single Row Side Entry SMT Headers

- ⊙ Mates with CP35 Connector
- ⊙ Shrouded header with board locks
- ⊙ High temperature plastic for SMT process

RoHS Compliant



Circuits	Dimension		
	A	B	C
2	3.0(.118)	9.65(.380)	—
3	6.0(.236)	12.65(.498)	—
4	9.0(.354)	15.65(.616)	4.7(.185)
5	12.0(.472)	18.65(.734)	7.7(.303)
6	15.0(.591)	21.65(.852)	10.7(.421)
7	18.0(.709)	24.65(.970)	13.7(.539)
8	21.0(.827)	27.65(1.089)	16.7(.657)
9	24.0(.945)	30.65(1.207)	19.7(.776)
10	27.0(1.063)	33.65(1.325)	22.7(.894)
11	30.0(1.181)	36.65(1.443)	25.7(1.012)
12	33.0(1.299)	39.65(1.561)	28.7(1.130)



Recommended P.C. Board Layout

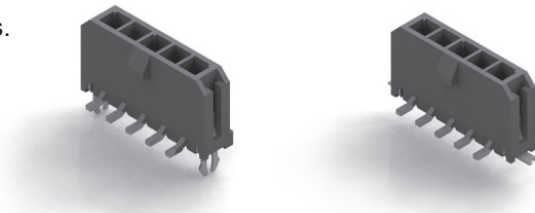
Ordering Code	①	②	③	④	⑤	⑥	⑦	⑧	⑨
	CP	35	12	P	1	H	S	P	-S-NH

<p>① Series No.</p> <p>② No. of Circuits: 02 ~12</p> <p>③ P = Plug</p> <p>④ Plating Code : 1 = Matte Tin over Nickel</p> <p>⑤ Contact Type: H = Side Entry</p> <p>⑥ Mount Type: S = SMT Type</p>	<p>⑦ Other Options:</p> <p>P = With plastic board lock</p> <p>⑧ S= Single Row Header</p> <p>⑨ NH = For Lead Free soldering process and Halogen-Free</p>
--	---

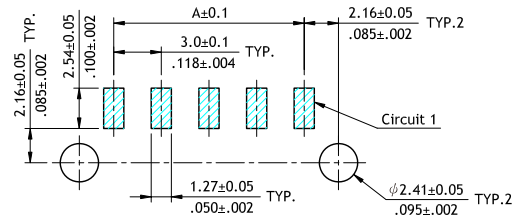
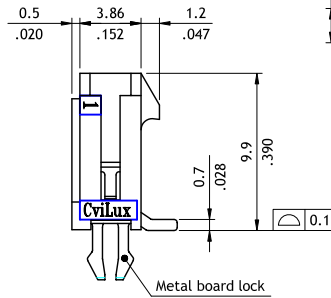
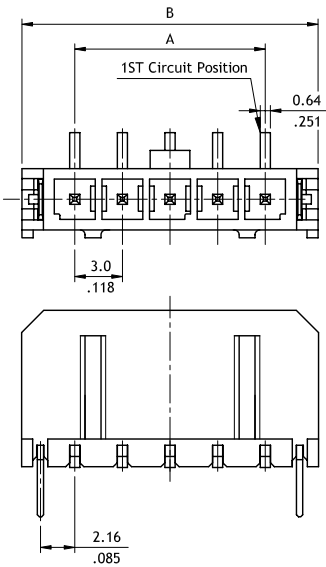
CP35 Series 3.00mm(.118") Single Row Top Entry SMT Headers

- ⊙ Mates with CP35 Connector
- ⊙ Shrouded header with board locks or fixed tabs.
- ⊙ With metal pick and place Pad
- ⊙ High temperature plastic for SMT process

RoHS Compliant 

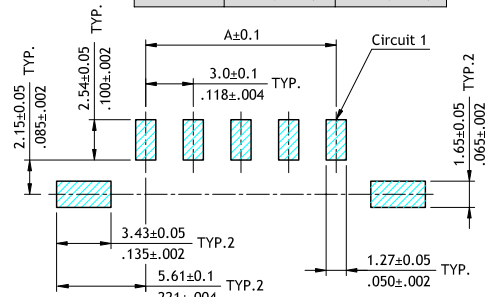
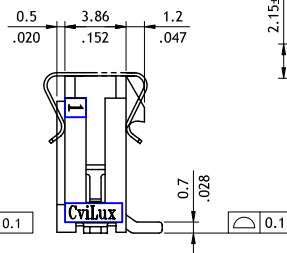
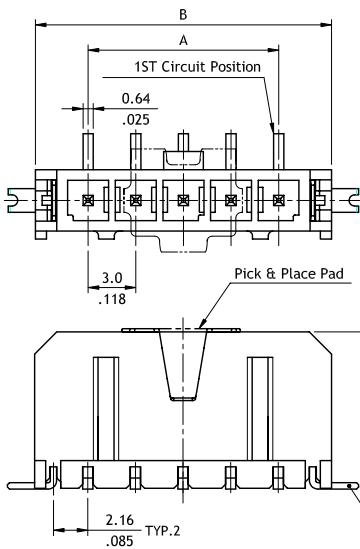


CP



Recommended P.C. Board Layout

Circuits	Dimension	
	A	B
2	3.0(.118)	9.65(.380)
3	6.0(.236)	12.65(.498)
4	9.0(.354)	15.65(.616)
5	12.0(.472)	18.65(.734)
6	15.0(.591)	21.65(.852)
7	18.0(.709)	24.65(.970)
8	21.0(.827)	27.65(1.089)
9	24.0(.945)	30.65(1.207)
10	27.0(1.063)	33.65(1.325)
11	30.0(1.181)	36.65(1.443)
12	33.0(1.299)	39.65(1.561)



Recommended P.C. Board Layout

Ordering Code

① ② ③ ④ ⑤ ⑥ ⑦ ⑧ ⑨
CP 3 5 1 2 P 1 V S 0 - S - NH

- ① Series No.
- ② No. of Circuits: 02 ~12
- ③ P = Plug
- ④ Plating Code : 1 = Matte Tin over Nickel
- ⑤ Contact Type: V = Top Entry
- ⑥ Mount Type: S = SMT Type

- ⑦ Other Options:
 0 = With Metal board locks
 T = With Fixed Tabs (Available for Tape & Reel)
- ⑧ S= Single Row Header
- ⑨ NH = For Lead Free soldering process and Halogen-Free

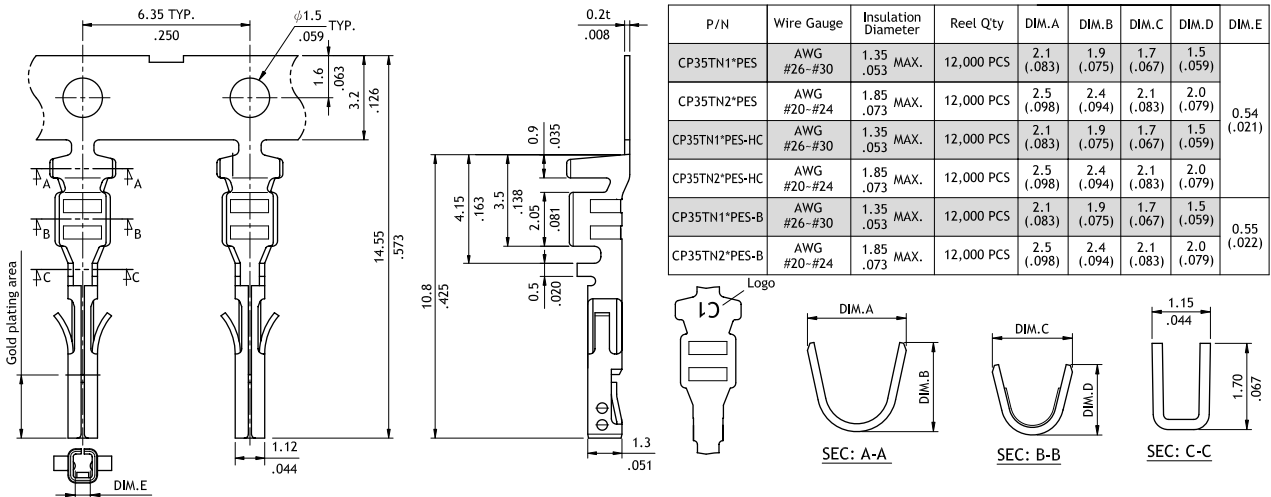
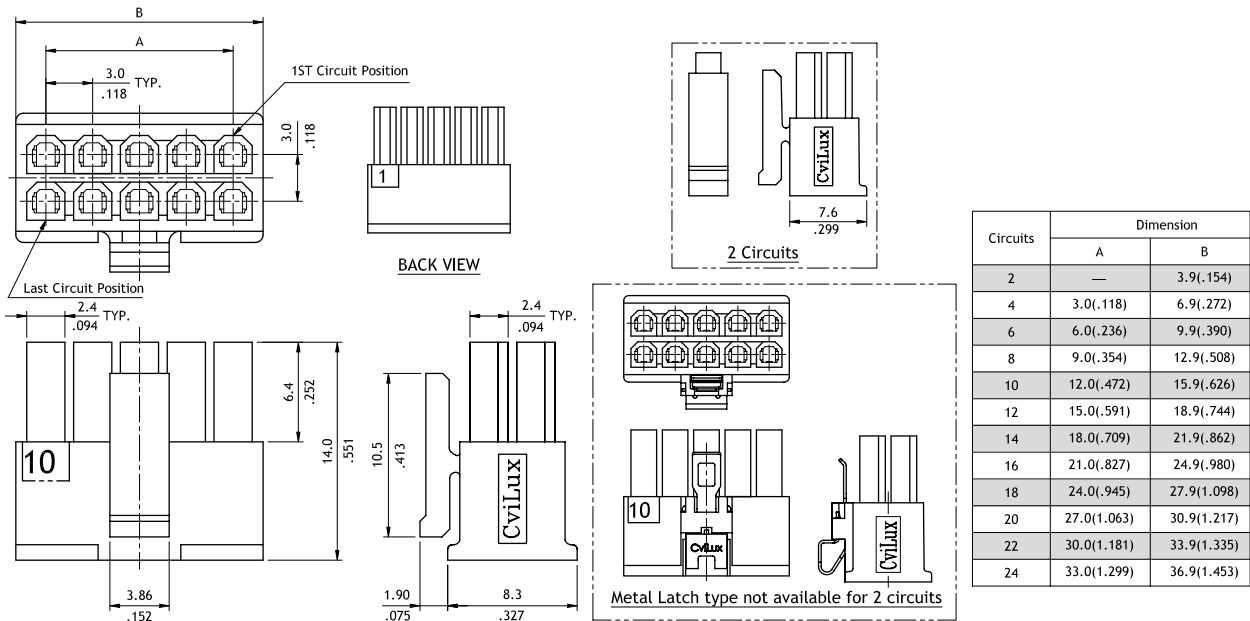
POWER CONNECTORS

CP35 Series 3.00mm(.118") Dual Row Receptacle Connectors

- ⊙ With locking latch
- ⊙ Available in 2 through 24 circuits
- ⊙ Can be used with CP35 Crimp Terminal
- ⊙ Terminal accommodated AWG #20 ~ #30



RoHS Compliant

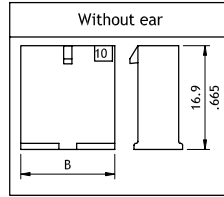
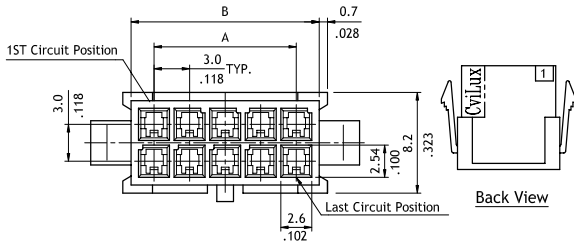


Ordering Code

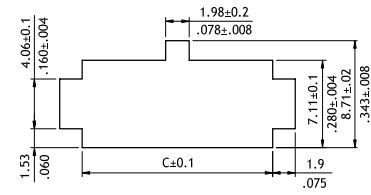
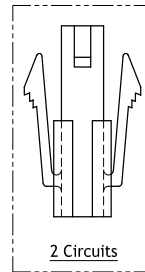
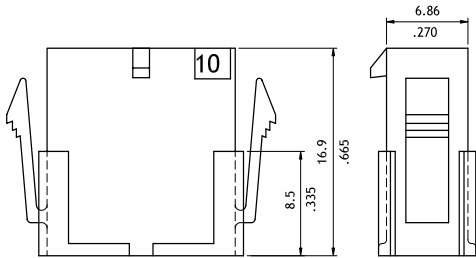
- | | | | | | | | | | | | |
|------|----|---|----|---|---|----|------|-----|---|---|----|
| ① | ② | ③ | ④ | ⑤ | ⑥ | ⑦ | ① | ② | ③ | ④ | ⑤ |
| CP35 | 24 | S | 00 | 1 | 0 | NH | CP35 | TN2 | 1 | P | ES |
- ① Series No.
 - ② No. of Circuits: 02 ~ 24
 - ③ S = Receptacle
 - ④ Type : 00 = Standard,
ML = Metal Latch Type
 - ⑤ Color: 1 = Color Black
 - ⑥ Other Options: 0 = Standard
 - ⑦ NH = For Lead Free soldering process and Halogen-Free
 - ① Series No.
 - ② Wire Range : TN1 = AWG #26 ~ #30
TN2 = AWG #20 ~ #24
 - ③ Plating Code : 1 = Tin over Nickel
A = Selective Gold flash over Nickel
 - ④ Material: P = Phosphor Bronze
 - ⑤ ES = Receptacle Terminal
ES-B = Receptacle Terminal (Low insertion Force)
ES-HC = For high current required

CP35 Series 3.00mm(.118") Dual Row Plug Connectors

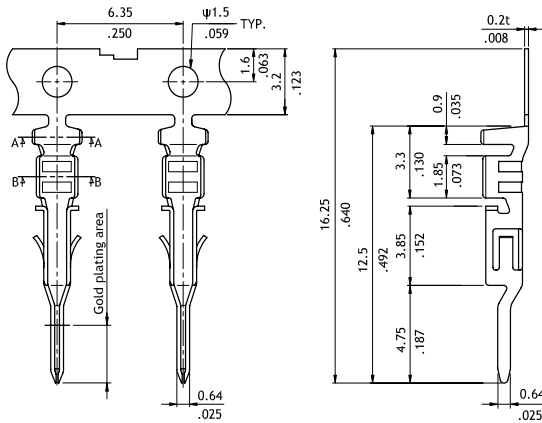
- ⊙ With mounting ears
- ⊙ Available in 2 through 24 circuits
- ⊙ Can be used with CP35 Crimp terminal
- ⊙ Accommodated AWG #20 ~ #30



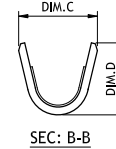
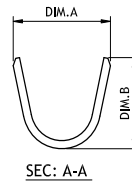
Circuits	Dimension		
	A	B	C
2	—	3.9(.154)	4.09(.161)
4	3.0(.118)	6.9(.272)	7.09(.279)
6	6.0(.236)	9.9(.390)	10.08(.397)
8	9.0(.354)	12.9(.508)	13.08(.515)
10	12.0(.472)	15.9(.626)	16.06(.633)
12	15.0(.591)	18.9(.744)	19.08(.751)
14	18.0(.709)	21.9(.862)	22.07(.869)
16	21.0(.827)	24.9(.980)	25.07(.967)
18	24.0(.945)	27.9(1.098)	28.07(1.105)
20	27.0(1.063)	30.9(1.217)	31.06(1.223)
22	30.0(1.181)	33.9(1.335)	34.06(1.341)
24	33.0(1.299)	36.9(1.453)	37.06(1.459)



Panel Cutout Size



P/N	Wire Gauge	Insulation Diameter	Reel Qty	DIM.A	DIM.B	DIM.C	DIM.D
CP35TN1*PEP	AWG #26-#30	1.35 .053 MAX.	12,000 PCS	2.1 (.083)	1.9 (.075)	1.7 (.067)	1.5 (.059)
CP35TN2*PEP	AWG #20-#24	1.85 .073 MAX.	12,000 PCS	2.5 (.098)	2.4 (.094)	2.1 (.083)	2.0 (.079)



Ordering Code

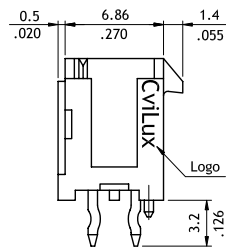
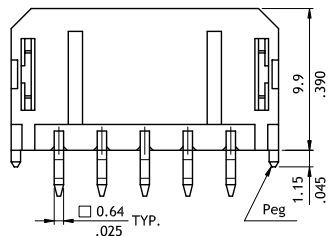
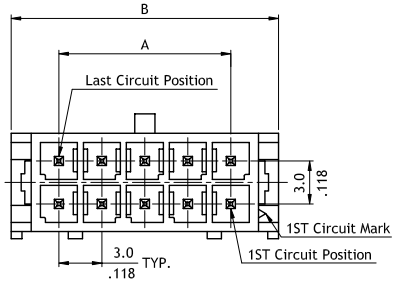
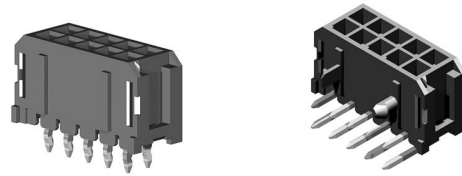
① CP 3 5 ② 2 4 ③ P ④ 001 ⑤ 0 ⑥ NH ① CP 3 5 ② TN 2 ③ 1 ④ P ⑤ EP

- ① Series No.
- ② No. of Circuits: 02 ~24
- ③ P = Plug
- ④ Color: 001 = Color Black
- ⑤ Other Options:
0 = Standard ; B = Without Ear
- ⑥ NH = For Lead Free soldering process and Halogen-Free
- ① Series No.
- ② Wire Range : TN1 = AWG #26 ~ #30
TN2 = AWG #20 ~ #24
- ③ Plating Code : 1 = Tin over Nickel
A = Selective Gold flash over Nickel
- ④ Material: P = Phosphor Bronze
- ⑤ Style: EP = Plug Terminal

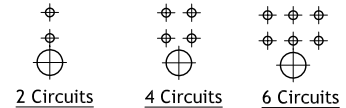
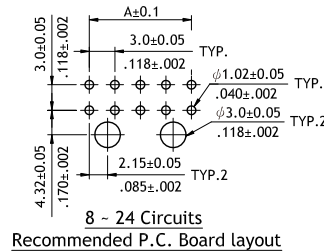
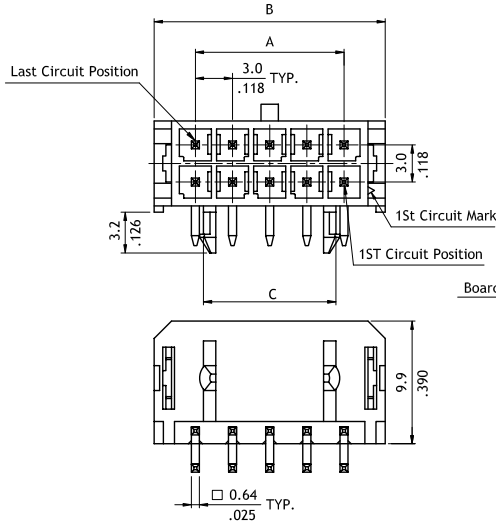
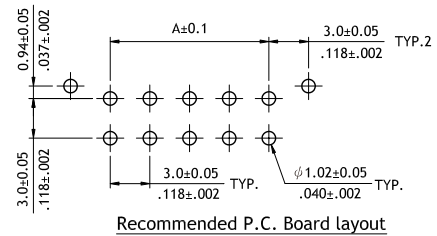
CP35 Series 3.00mm(.118") Dual Row Board Mount Headers

- ⊙ Mate with CP35 Connector
- ⊙ Shrouded header with PCB mounting pegs or board locks
- ⊙ Available straight and right angle solder tails

RoHS Compliant



Circuits	Dimension	
	A	B
2	—	6.7(.264)
4	3.0(.118)	9.7(.382)
6	6.0(.236)	12.7(.500)
8	9.0(.354)	15.7(.618)
10	12.0(.472)	18.7(.657)
12	15.0(.591)	21.7(.854)
14	18.0(.709)	24.7(.972)
16	21.0(.827)	27.7(1.091)
18	24.0(.945)	30.7(1.209)
20	27.0(1.063)	33.7(1.327)
22	30.0(1.181)	36.7(1.445)
24	33.0(1.299)	39.7(1.563)



Circuits	Dimension		
	A	B	C
2	—	6.7(.264)	3.0(.118)
4	3.0(.118)	9.7(.382)	3.0(.118)
6	6.0(.236)	12.7(.500)	3.0(.118)
8	9.0(.354)	15.7(.618)	7.7(.303)
10	12.0(.472)	18.7(.657)	10.7(.421)
12	15.0(.591)	21.7(.854)	13.7(.539)
14	18.0(.709)	24.7(.972)	16.7(.657)
16	21.0(.827)	27.7(1.091)	19.7(.776)
18	24.0(.945)	30.7(1.209)	22.7(.894)
20	27.0(1.063)	33.7(1.327)	25.7(1.012)
22	30.0(1.181)	36.7(1.445)	28.7(1.130)
24	33.0(1.299)	39.7(1.563)	31.7(1.248)

Ordering Code

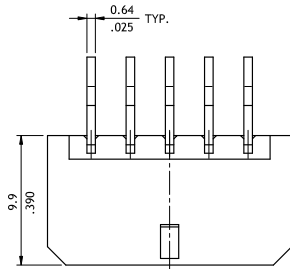
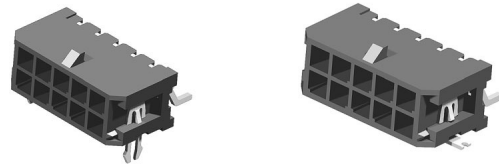
① CP 35 ② 24 ③ P ④ 1 ⑤ V ⑥ 0 ⑦ 0 ⑧ - NH

- ① Series No.
- ② No. of Circuits: 02 ~ 24
- ③ P = Plug
- ④ Plating Code :
 1 = Matte Tin over Nickel
 A = Selective Gold flash over Nickel
 B = Selective 15μ" Gold flash over Nickel
- ⑤ Contact Type : V = Straight , H = Right Angle
- ⑥ Mount Type : 0 = DIP Type
- ⑦ Other Options:
 0 = With pegs (Straight)
 0 = With plastic board locks (Right Angle)
- ⑧ NH = For Lead Free soldering process and Halogen-Free

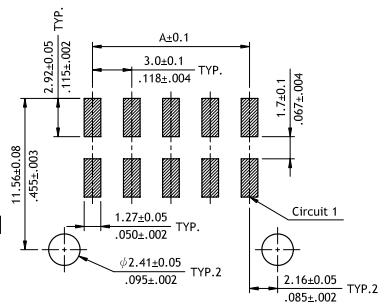
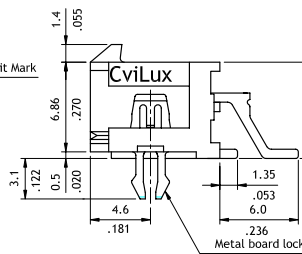
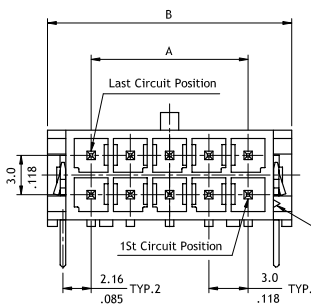
CP35 Series 3.00mm(.118") Dual Row Side Entry SMT Headers

- ⊙ Mate with CP35 Connector
- ⊙ Shrouded header with board locks or fixed tabs
- ⊙ High temperature plastic for SMT process

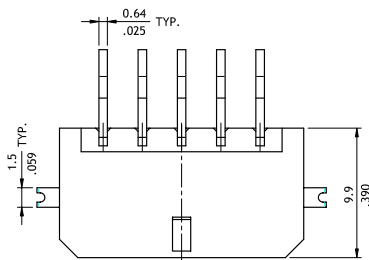
RoHS Compliant 



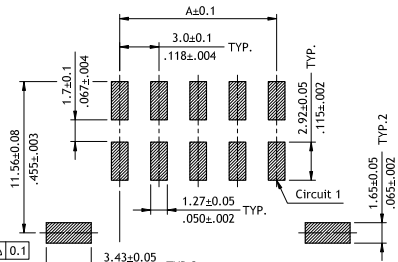
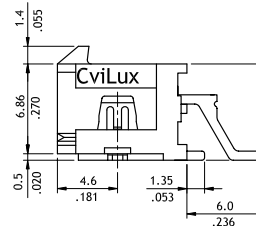
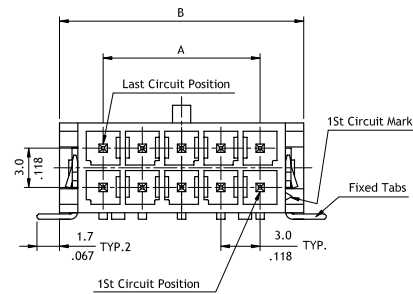
Circuits	Dimension	
	A	B
2	—	6.7(.264)
4	3.0(.118)	9.7(.382)
6	6.0(.236)	12.7(.500)
8	9.0(.354)	15.7(.618)
10	12.0(.472)	18.7(.657)
12	15.0(.591)	21.7(.854)
14	18.0(.709)	24.7(.972)
16	21.0(.827)	27.7(1.091)
18	24.0(.945)	30.7(1.209)
20	27.0(1.063)	33.7(1.327)
22	30.0(1.181)	36.7(1.445)
24	33.0(1.299)	39.7(1.563)



Recommended P.C. Board Layout



Circuits	Dimension	
	A	B
2	—	6.7(.264)
4	3.0(.118)	9.7(.382)
6	6.0(.236)	12.7(.500)
8	9.0(.354)	15.7(.618)
10	12.0(.472)	18.7(.657)
12	15.0(.591)	21.7(.854)
14	18.0(.709)	24.7(.972)
16	21.0(.827)	27.7(1.091)
18	24.0(.945)	30.7(1.209)
20	27.0(1.063)	33.7(1.327)
22	30.0(1.181)	36.7(1.445)
24	33.0(1.299)	39.7(1.563)



Recommended P.C. Board Layout

Ordering Code

① CP ② 35 ③ 24 ④ P ⑤ 1 ⑥ H ⑦ S ⑧ 0 - NH

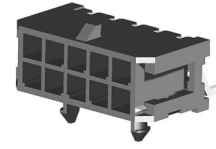
- ① Series No.
- ② No. of Circuits: 02 ~ 24
- ③ P = Plug
- ④ Plating Code :
 1 = Matte Tin over Nickel
 A = Selective Gold flash over Nickel
 *Optional plating available but MOQ requested
- ⑤ Contact Type: H = Side Entry
- ⑥ Mount Type: S = SMT Type
- ⑦ Other Options:
 0 = With Metal board locks
 T = With Fixed Tabs
- ⑧ NH = For Lead Free soldering process and Halogen-Free

CP

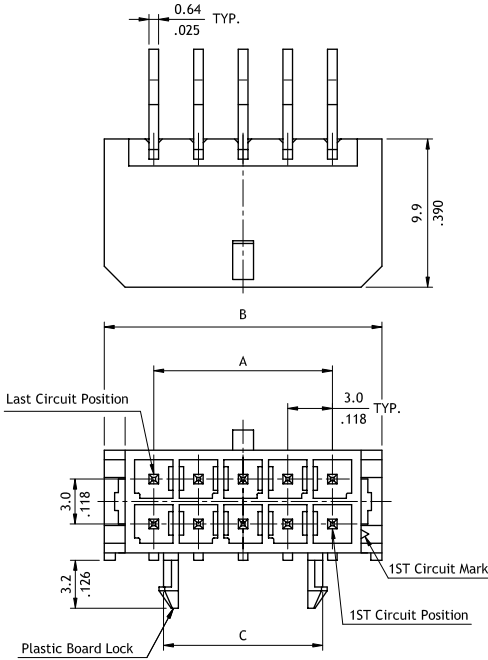
POWER CONNECTORS

CP35 Series 3.00mm(.118") Dual Row Side Entry SMT Headers

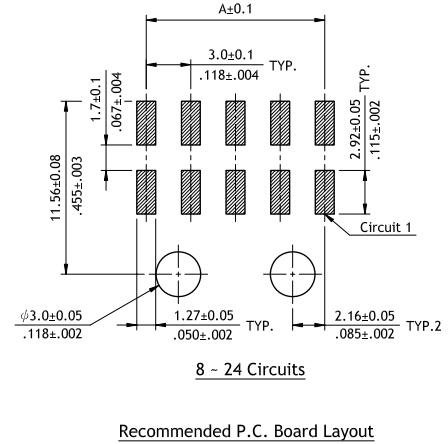
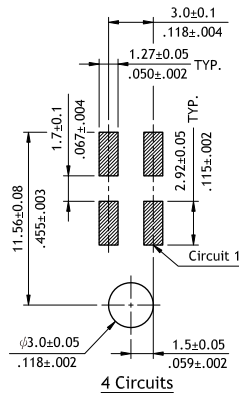
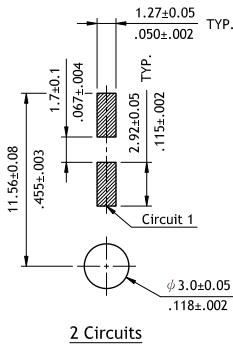
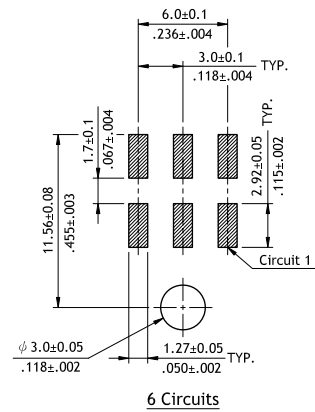
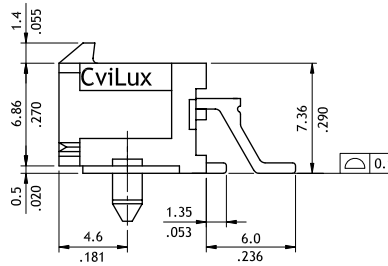
- ⊙ Mate with CP35 Connector
- ⊙ Shrouded header with board locks
- ⊙ High temperature plastic for SMT process



RoHS Compliant



Circuits	Dimension		
	A	B	C
2	—	6.7(.264)	3.0(.118)
4	3.0(.118)	9.7(.382)	3.0(.118)
6	6.0(.236)	12.7(.500)	3.0(.118)
8	9.0(.354)	15.7(.618)	7.7(.303)
10	12.0(.472)	18.7(.657)	10.7(.421)
12	15.0(.591)	21.7(.854)	13.7(.539)
14	18.0(.709)	24.7(.972)	16.7(.657)
16	21.0(.827)	27.7(1.091)	19.7(.776)
18	24.0(.945)	30.7(1.209)	22.7(.894)
20	27.0(1.063)	33.7(1.327)	25.7(1.012)
22	30.0(1.181)	36.7(1.445)	28.7(1.130)
24	33.0(1.299)	39.7(1.563)	31.7(1.248)



Ordering Code

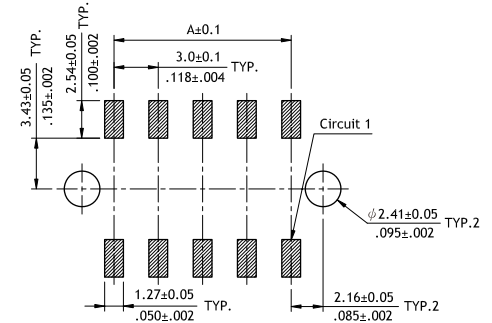
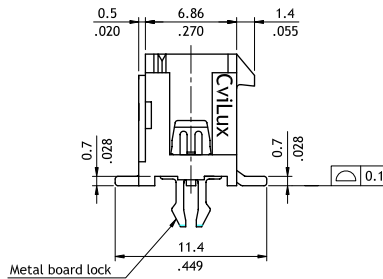
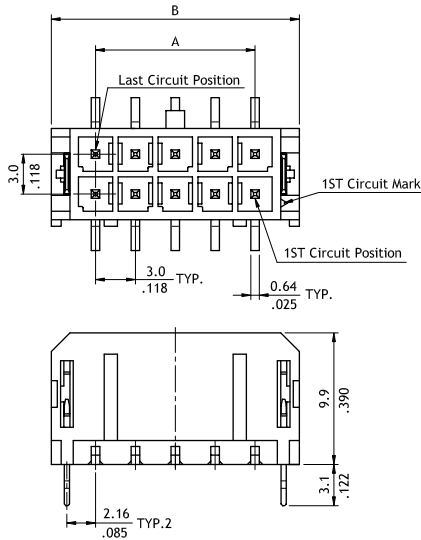
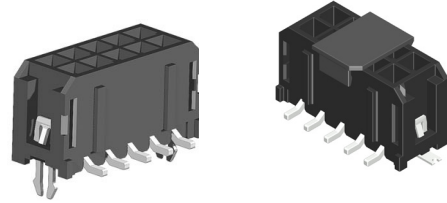
① CP 3 5 ② 2 4 ③ P ④ 1 ⑤ H ⑥ S ⑦ P - ⑧ NH

- ① Series No.
- ② No. of Circuits: 02 ~ 24
- ③ P = Plug
- ④ Plating Code :
1 = Matte Tin over Nickel
A = Selective Gold flash over Nickel
*Optional plating available but MOQ requested
- ⑤ Contact Type: H = Side Entry
- ⑥ Mount Type:
S = SMT Type
- ⑦ Other Options : P = With plastic board lock
- ⑧ NH = For Lead Free soldering process and Halogen-Free

CP35 Series 3.00mm(.118") Dual Row Top Entry SMT Headers

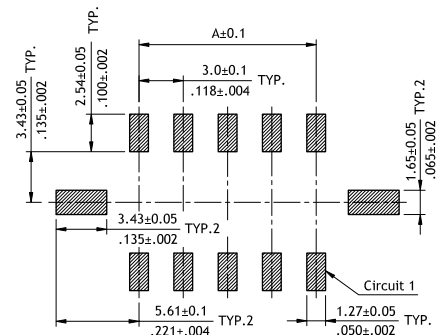
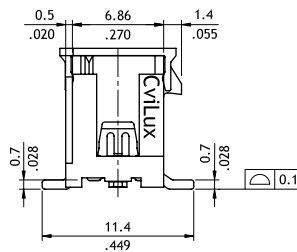
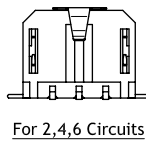
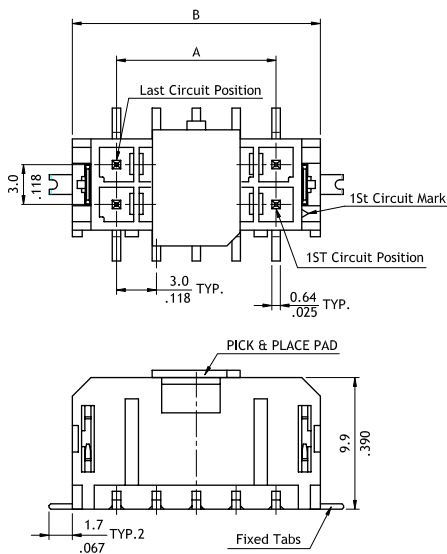
- ⊙ Mate with CP35 Connector
- ⊙ Shrouded header with board locks or fixed tabs
- ⊙ With metal pick and place Pad
- ⊙ High temperature plastic for SMT process

RoHS Compliant



Recommended PCB Layout

Circuits	Dimension	
	A	B
2	—	6.7(.264)
4	3.0(.118)	9.7(.382)
6	6.0(.236)	12.7(.500)
8	9.0(.354)	15.7(.618)
10	12.0(.472)	18.7(.657)
12	15.0(.591)	21.7(.854)
14	18.0(.709)	24.7(.972)
16	21.0(.827)	27.7(1.091)
18	24.0(.945)	30.7(1.209)
20	27.0(1.063)	33.7(1.327)
22	30.0(1.181)	36.7(1.445)
24	33.0(1.299)	39.7(1.563)



Recommended PCB Layout

Ordering Code

① ② ③ ④ ⑤ ⑥ ⑦ ⑧
CP 3 5 2 4 P 1 V S 0 - NH

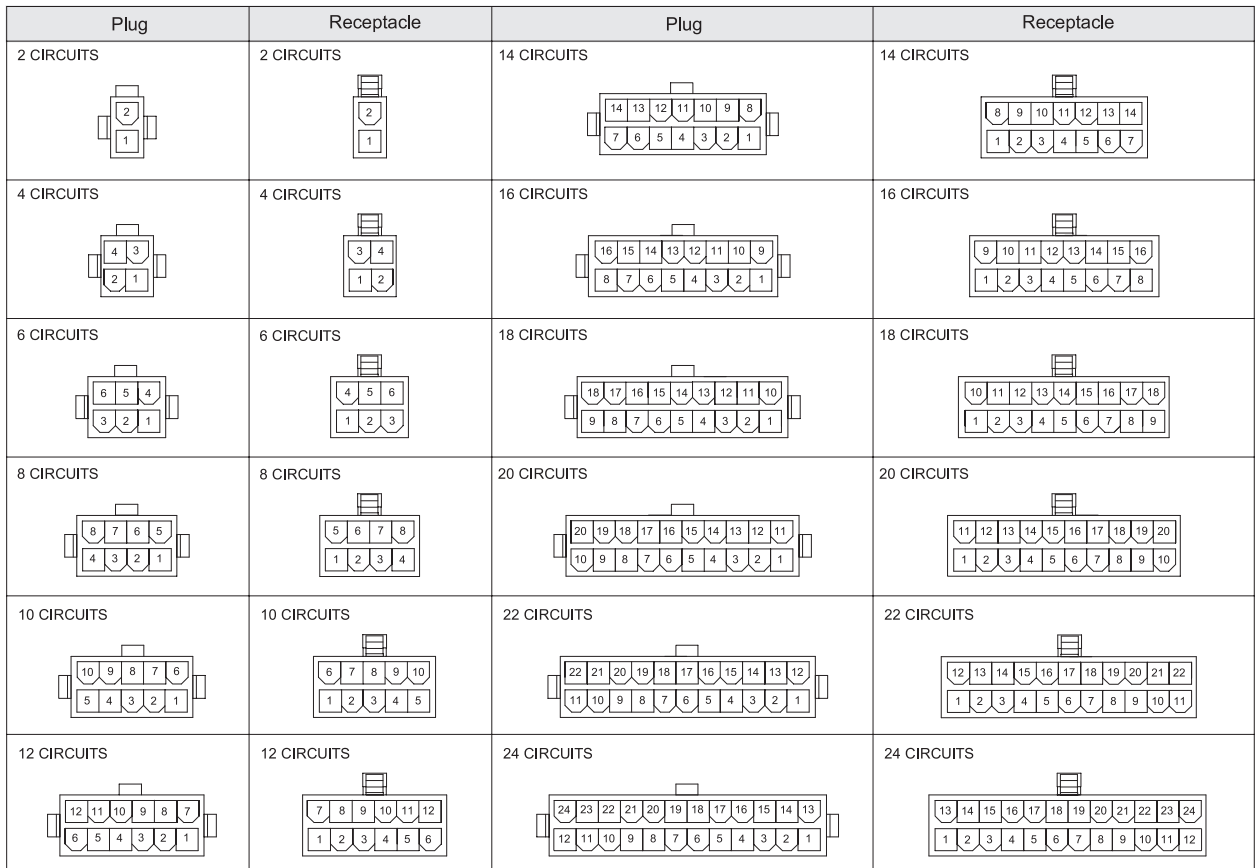
- ① Series No.
- ② No. of Circuits: 02 ~24
- ③ P = Plug
- ④ Plating Code :
 1 = Matte Tin over Nickel
 A = Selective Gold flash over Nickel
 *Optional available but MOQ requested
- ⑤ Contact Type: V = Top Entry
- ⑥ Mount Type: S = SMT Type
- ⑦ Other Options:
 0 = With Metal board lock
 T = With Fixed Tabs
 (Available for Tape & Reel packing)
- ⑧ NH = For Lead Free soldering process and Halogen-Free

CP-01 Series 4.20mm (.165") Power Connectors

- ⊙ Wire to Wire and Wire to Board applications
- ⊙ Straight and Right Angle Headers
- ⊙ High current

Rated Current(max.) and Applicable Wire*600V AC (r.m.s)

Rated Current(max.)	Wire gage/Circuits	2-3	4-6	7-10	12-24
High electric conductive copper alloy (High current crimp terminal)	AWG#16 wire gage	12A	11A	10A	9A
	AWG#18 wire gage	12A	11A	10A	9A
	AWG#20 wire gage	9A	9A	8A	8A
	AWG#22 wire gage	7A	6A	6A	6A
	AWG#28 wire gage	3.5A	2A	2A	2A
Brass & Phosphor Bronze	AWG#16 wire gage	9A	8A	7A	6A
	AWG#18 wire gage	9A	8A	7A	6A
	AWG#20 wire gage	7A	6A	5A	5A
	AWG#22 wire gage	5A	4A	4A	4A
	AWG#24 wire gage	4A	3A	3A	3A
	AWG#26 wire gage	3A	2A	2A	2A



CP

POWER CONNECTORS

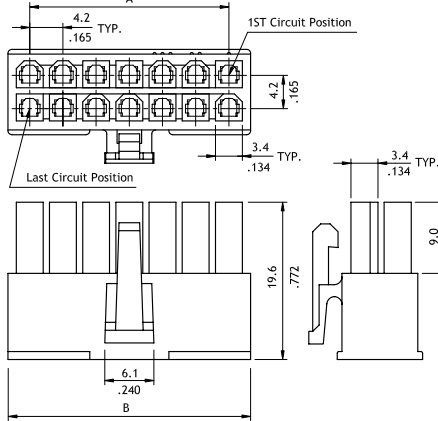
CP-011 Series 4.20mm (.165") Receptacle Connectors

- ⊙ With locking latch
- ⊙ Available in 2 through 24 circuits
- ⊙ Mates with CP-012, CP-013 or CP-014 connector
- ⊙ Nylon 66 UL 94V-0 or V-2 insulator material
- ⊙ Can be used with CP-011 crimp terminal Terminal
- ⊙ Accommodated AWG #16 ~ #26
- ⊙ Glow Wire test material available



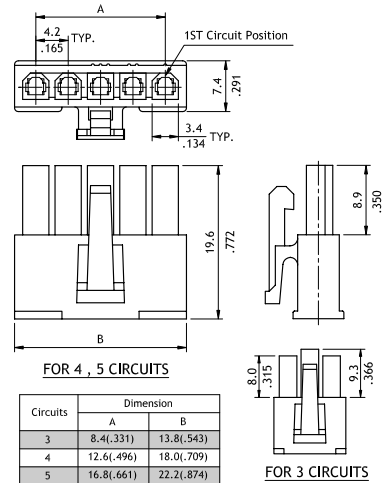
RoHS Compliant  

P/N CP-011**0*0

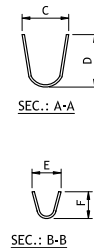
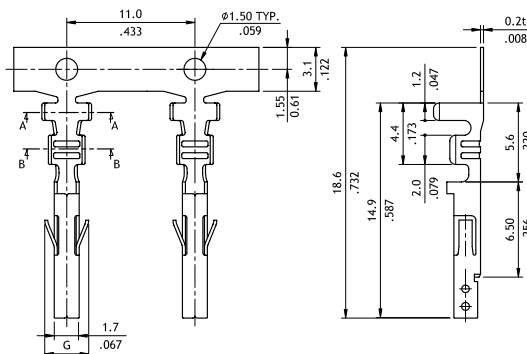


Circuits	Dimension	
	A	B
2	-	5.5(.217)
4	4.2(.165)	9.7(.382)
6	8.4(.331)	13.9(.547)
8	12.6(.496)	18.1(.713)
10	16.8(.661)	22.3(.878)
12	21.0(.827)	26.5(1.043)
14	25.2(.992)	30.7(1.209)
16	29.4(1.157)	34.9(1.374)
18	33.6(1.322)	39.1(1.539)
20	37.8(1.487)	43.3(1.705)
22	42.0(1.652)	47.5(1.870)
24	46.2(1.817)	51.7(2.035)

P/N CP-011**0*S



Circuits	Dimension	
	A	B
3	8.4(.331)	13.8(.543)
4	12.6(.496)	18.0(.709)
5	16.8(.661)	22.2(.874)



Part No.	Wire Range	Dimension					Insulation Range	Material	Reel Qty
		C	D	E	F	G			
CP-01100*01	AWG #22-26	3.4(.134)	3.3(.130)	2.5(.098)	2.3(.091)	2.6(.102)	0.9-1.8(.035-.071)	Brass	5,000 PCS
CP-01100*02	AWG #18-22	4.0(.158)	4.5(.177)	2.5(.098)	2.3(.091)	3.2(.126)	1.3-3.1(.051-.122)	Brass	4,000 PCS
CP-01100*03	AWG #22-26	3.4(.134)	3.3(.130)	2.5(.098)	2.3(.091)	2.6(.102)	0.9-1.8(.035-.071)	Phosphor Bronze	5,000 PCS
CP-01100*04	AWG #18-22	4.0(.158)	4.5(.177)	2.5(.098)	2.3(.091)	3.2(.126)	1.3-3.1(.051-.122)	Phosphor Bronze	4,000 PCS
CP-01100*05	AWG #16	4.0(.158)	4.5(.177)	2.8(.110)	2.7(.106)	3.2(.126)	1.8-3.1(.071-.122)	Brass	4,000 PCS
CP-01100*06	AWG #16	4.0(.158)	4.5(.177)	2.8(.110)	2.7(.106)	3.2(.126)	1.8-3.1(.071-.122)	Phosphor Bronze	4,000 PCS
CP-01100104-HC	AWG #18-22	4.0(.158)	4.5(.177)	2.5(.098)	2.3(.091)	3.2(.126)	1.3-3.1(.051-.122)	High electric conductive copper alloy	4,000 PCS
CP-01100106-HC	AWG #16	4.0(.158)	4.5(.177)	2.8(.110)	2.7(.106)	3.2(.126)	1.8-3.1(.071-.122)	High electric conductive copper alloy	4,000 PCS

Ordering Code



- ① Series No.
 - ② Connector Type: 1 = Receptacle
 - ③ No. of Circuits : 02 ~ 24 (Dual Row)
03 ~ 05 (Single Row)
 - ④ Plating Code: 0 = Non plating
 - ⑤ Variation:
1 = UL 94V-2 ; 6 = UL 94V-2, BMI Type
3 = UL 94V-0 ; 7 = UL 94V-0, BMI Type
E = Glow wire test approval
 - ⑥ Other Options: 0 = Dual Row
S = Single Row
- *Special options consult manufacturer

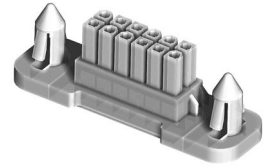
CP

POWER CONNECTORS

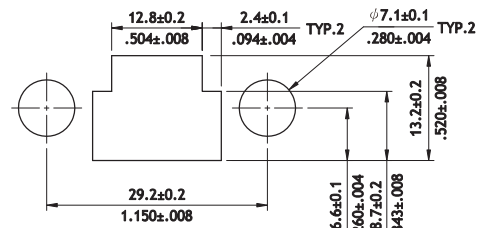
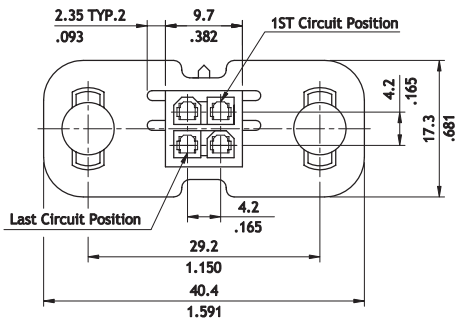
CP-011 Series 4.20mm (.165") Blind Mating Panel Mount Receptacle Connector

- ⊙ Mates with CP-012, CP-013 or CP-014 connector
- ⊙ Nylon 66 UL 94V-0 or V-2 insulator material
- ⊙ Can be used with CP-011 crimp terminal
- ⊙ Terminal accommodated AWG #16 ~ #26

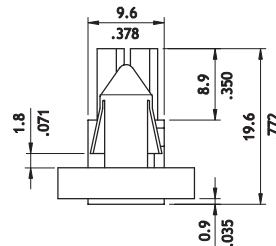
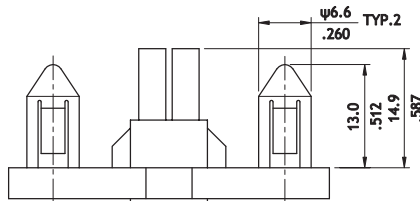
RoHS Compliant



P/N CP-01104060 / CP-01104070



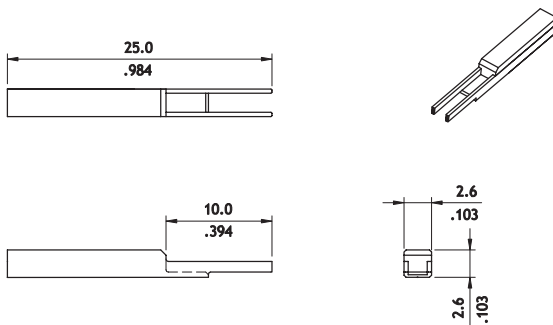
Panel Cutout (Panel Thickness= 1.6±0.05mm)



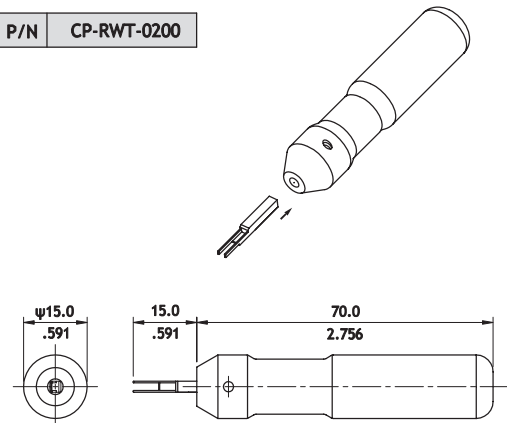
CP-01 Series Extractor Hand Tool

- ⊙ Can be used CP-011 & CP-012 series crimp terminal

P/N CP-RWT-0201



P/N CP-RWT-0200

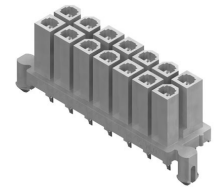


CP

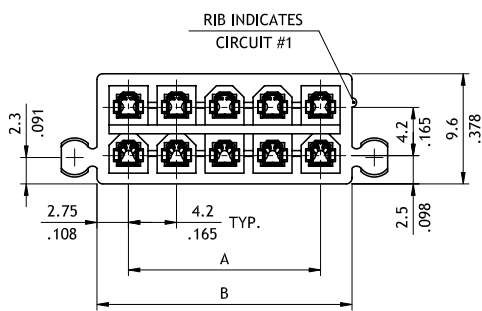
POWER CONNECTORS

CP-011 Series 4.20mm (.165") Receptacle Board Mount Connectors

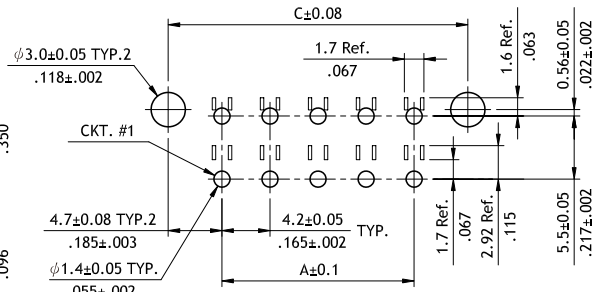
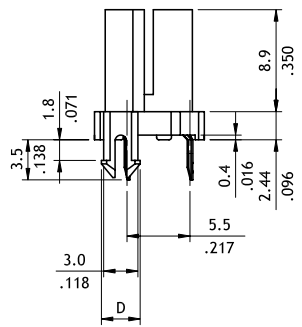
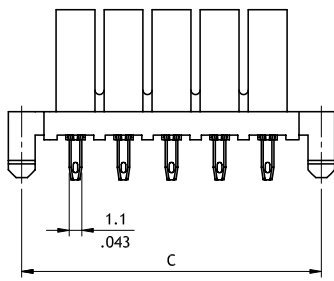
- ⊙ With Board Locks
- ⊙ Available in 2 through 24 circuits
- ⊙ Mates with CP-012, CP-013 or CP-014 connector
- ⊙ Nylon 66 UL 94V-0 or V-2 and 46 UL94V-0 insulator material
- ⊙ Glow wire test available



CP



Circuits	Dimension		
	A	B	C
2	—	5.5(.217)	9.4(.370)
4	4.2(.165)	9.7(.382)	13.6(.535)
6	8.4(.331)	13.9(.547)	17.8(.701)
8	12.6(.496)	18.1(.713)	22.0(.866)
10	16.8(.661)	22.3(.878)	26.2(1.031)
12	21.0(.827)	26.5(1.043)	30.4(1.197)
14	25.2(.992)	30.7(1.209)	34.6(1.362)
16	29.4(1.157)	34.9(1.374)	38.8(1.528)
18	33.6(1.322)	39.1(1.539)	43.0(1.693)
20	37.8(1.487)	43.3(1.705)	47.2(1.858)
22	42.0(1.652)	47.5(1.870)	51.4(2.024)
24	46.2(1.817)	51.7(2.035)	55.6(2.189)



Recommended P.C. Board Layout

Ordering Code

①
②
③
④
⑤
⑥

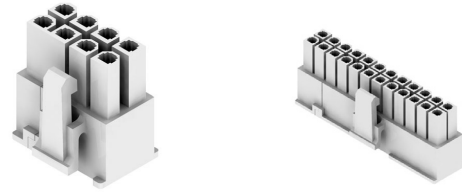
CP
-
0
1
2
4
1
1
0

- ① Series No.
- ② Connector Type:
1 = Receptacle
- ③ No. of Circuits : 02 ~ 24
- ④ Plating Code : 1 = Tin over Nickel
- ⑤ Variation:
0 = UL 94V-0 (PA46) (DIM. D = 3.2mm)
1 = UL 94V-0 (PA66) (DIM. D = 3.4mm)
2 = UL 94V-2 (PA66) (DIM. D = 3.4mm)
3 = UL 94V-2 (GWT) (DIM. D = 3.4mm)
- ⑥ Other Options: 0 = Standard
*Special options consult manufacturer

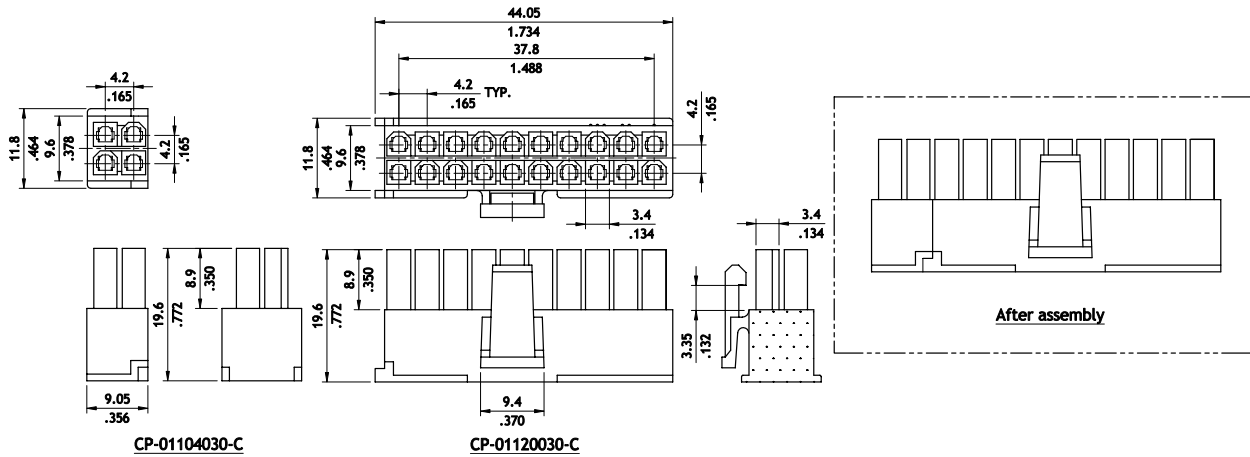
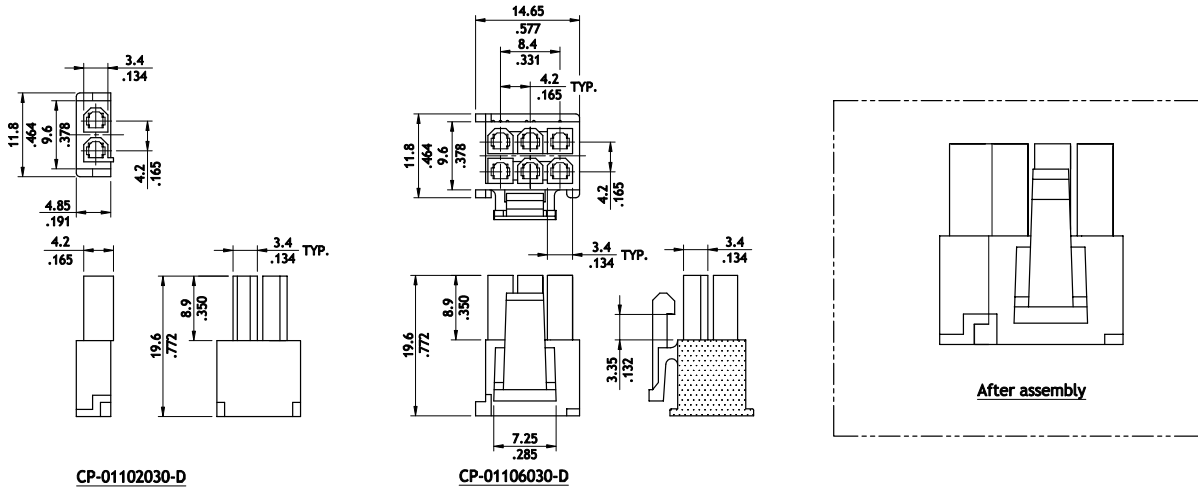
POWER CONNECTORS

CP-011 Series 4.20mm (.165") Assembly Power Connectors

- ⊙ With locking latch
- ⊙ Nylon 66 UL 94V-0 insulator material
- ⊙ Can be used with CP-011 crimp terminal
- ⊙ Terminal accommodated AWG #16 ~ #26



RoHS Compliant



Ordering Code

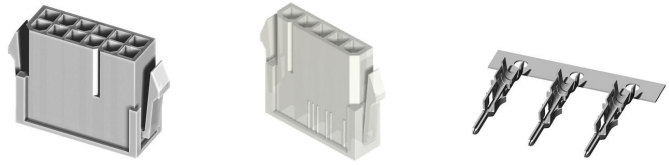
① ② ③ ④ ⑤ ⑥ ⑦

CP - 01 1 20 0 1 0 - C

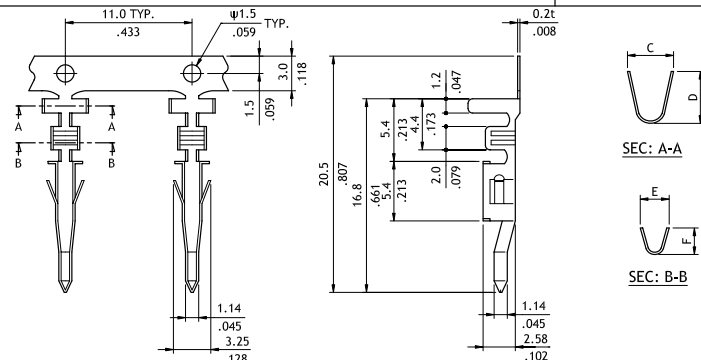
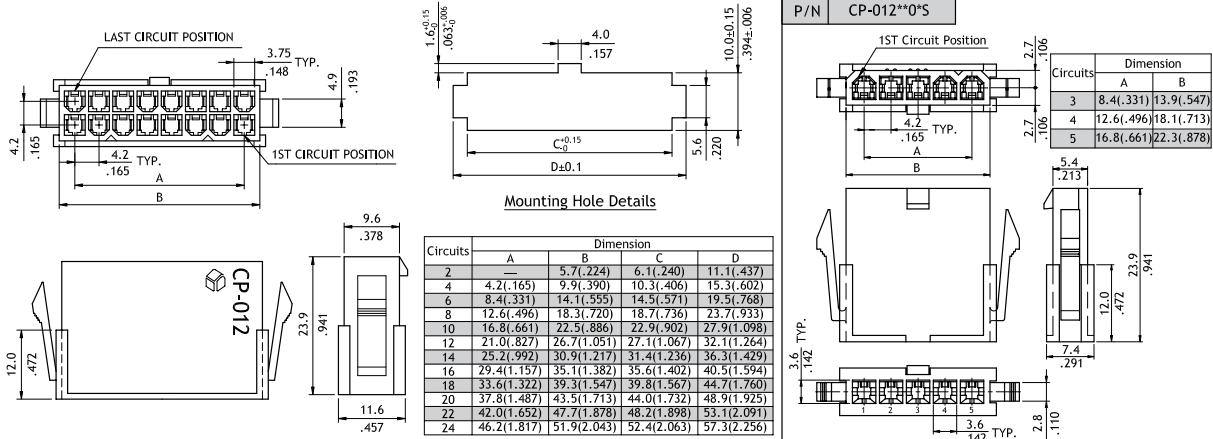
- ① Series No.
- ② Connector Type: 1 = Receptacle
- ③ No. of Circuits: 02, 04, 06, 20
- ④ Plating Code : 0 = Non plating
- ⑤ Variation: 3 = UL 94V-0
- ⑥ Color Options: 0 = Nature (Standard)
*Special options consult manufacturer
- ⑦ Other Options:
C = Assembly Type
D = PCI-E Assembly Type

CP-012 Series 4.20mm (.165") Plug Connectors

- ⊙ With mounting ears
- ⊙ Available in 2 through 24 circuits
- ⊙ Mate with CP-011 connector
- ⊙ Nylon 66 UL 94V-0 or V-2 insulator material
- ⊙ Can be used with CP-012 crimp terminal
- ⊙ Terminal accommodated AWG #16 ~ #26
- ⊙ Glow Wire test material available



RoHS Compliant



Part No.	Wire Range	Dimension				Insulation Range	Material	Reel Qty
		C	D	E	F			
CP-01200*01	AWG #22-26	3.4(.134)	3.3(.130)	2.5(.098)	2.3(.091)	0.9-1.8(.035-.071)	Brass	5,000 PCS
CP-01200*02	AWG #18-22	4.0(.158)	4.5(.177)	2.5(.098)	2.3(.091)	1.3-3.1(.051-.122)	Brass	4,000 PCS
CP-01200*03	AWG #22-26	3.4(.134)	3.3(.130)	2.5(.098)	2.3(.091)	0.9-1.8(.035-.071)	Phosphor Bronze	5,000 PCS
CP-01200*04	AWG #18-22	4.0(.158)	4.5(.177)	2.5(.098)	2.3(.091)	1.3-3.1(.051-.122)	Phosphor Bronze	4,000 PCS
CP-01200*05	AWG #16	4.0(.158)	4.5(.177)	2.8(.110)	2.6(.102)	1.8-3.1(.071-.122)	Brass	4,000 PCS
CP-01200*06	AWG #16	4.0(.158)	4.5(.177)	2.8(.110)	2.6(.102)	1.8-3.1(.071-.122)	Phosphor Bronze	4,000 PCS
CP-01200*04-HC	AWG #18-22	4.0(.158)	4.5(.177)	2.5(.098)	2.3(.091)	1.3-3.1(.051-.122)	High electric conductive copper alloy	4,000 PCS
CP-01200*06-HC	AWG #16	4.0(.158)	4.5(.177)	2.8(.110)	2.6(.102)	1.8-3.1(.071-.122)	High electric conductive copper alloy	4,000 PCS
CP-01200*07-HC	AWG #28	2.3(.091)	2.3(.091)	1.8(.071)	1.65(.065)	0.9(.035)	High electric conductive copper alloy	6,000 PCS

Ordering Code

① ② ③ ④ ⑤ ⑥
CP - 0 1 2 2 4 0 0 0

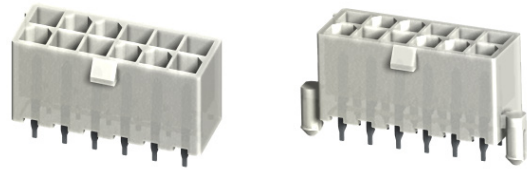
- ① Series No.
- ② Connector Type : 2 = Plug
- ③ No. of Circuits:
 02 ~ 24 (Dual Row)
 03 ~ 05 (Single Row)
- ④ Plating Code:
 0 = Non plating
- ⑤ Variation:
 0 = UL 94V-2 (with mounting ears)
 1 = UL 94V-2 (without mounting ear)
 2 = UL 94V-0 (with mounting ears)
 3 = UL 94V-0 (without mounting ear)
 E = GWT approval (without mounting ear)
 F = GWT approval (with mounting ears)
- ⑥ Other Options:
 0 = Dual Row
 S = Single Row

CP

POWER CONNECTORS

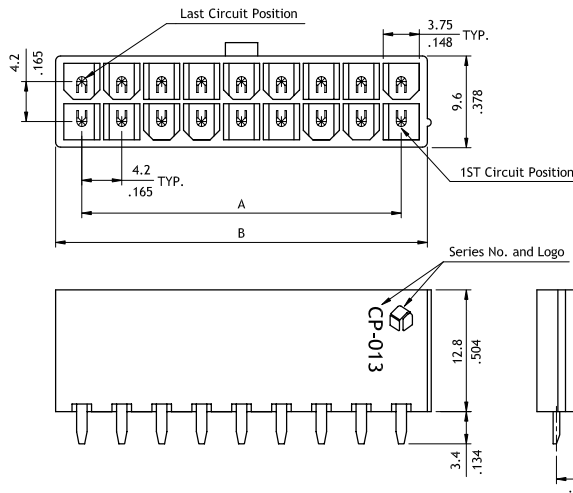
CP-013 Series 4.20mm (.165") Straight DIP Solder Headers

- Ⓞ Optional PCB mounting pegs
- Ⓞ Mate with CP-011 connector
- Ⓞ Nylon 66 UL 94V-0 or V-2 insulator material
- Ⓞ Glow wire test material available

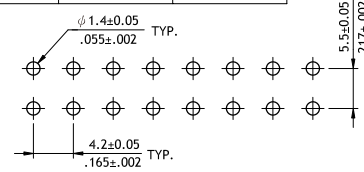


RoHS Compliant

P/N CP-013**110 / CP-013**130 / CP-013**1E0

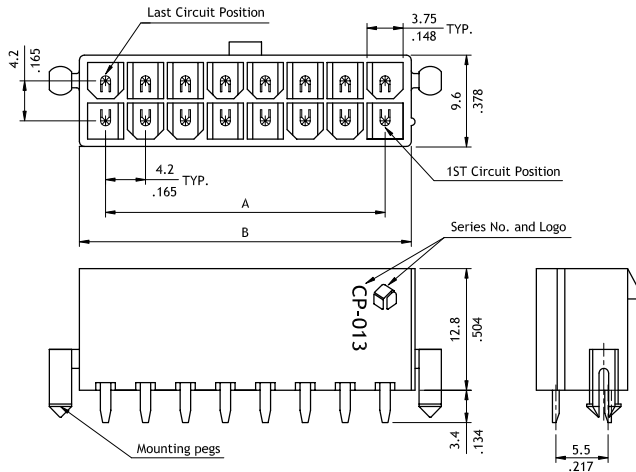


Circuits	Dimension	
	A	B
2	—	5.5(.217)
4	4.2(.165)	9.7(.382)
6	8.4(.331)	13.9(.547)
8	12.6(.496)	18.1(.713)
10	16.8(.661)	22.3(.878)
12	21.0(.827)	26.5(1.043)
14	25.2(.992)	30.7(1.209)
16	29.4(1.157)	34.9(1.374)
18	33.6(1.322)	39.1(1.539)
20	37.8(1.487)	43.3(1.705)
22	42.0(1.652)	47.5(1.870)
24	46.2(1.817)	51.7(2.035)

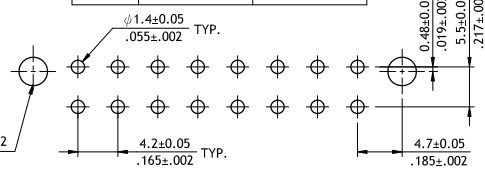


Recommended P.C. Board Layout

P/N CP-013**140 / CP-013**150 / CP-013**1G0



Circuits	Dimension	
	A	B
2	—	5.5(.217)
4	4.2(.165)	9.7(.382)
6	8.4(.331)	13.9(.547)
8	12.6(.496)	18.1(.713)
10	16.8(.661)	22.3(.878)
12	21.0(.827)	26.5(1.043)
14	25.2(.992)	30.7(1.209)
16	29.4(1.157)	34.9(1.374)
18	33.6(1.322)	39.1(1.539)
20	37.8(1.487)	43.3(1.705)
22	42.0(1.652)	47.5(1.870)
24	46.2(1.817)	51.7(2.035)



Recommended P.C. Board Layout

Ordering Code

① ② ③ ④ ⑤ ⑥
CP - 0 1 3 2 4 1 1 0

- ① Series No.
- ② Connector Type:
3 = Straight PCB mount header
- ③ No. of Circuits :
see above table
- ④ Plating Code :
1 = Tin over Nickel

- ⑤ Variation:
1 = UL 94V-2 (without mounting peg)
3 = UL 94V-0 (without mounting peg)
4 = UL 94V-2 (with mounting pegs)
5 = UL 94V-0 (with mounting pegs)
E = GWT approval (without mounting peg)
G = GWT approval (with mounting pegs)

- ⑥ Other Options:
0 = Standard (with drain holes shown, non for 2 pin Type)
H = Without drain hole
*Special options consult manufacturer

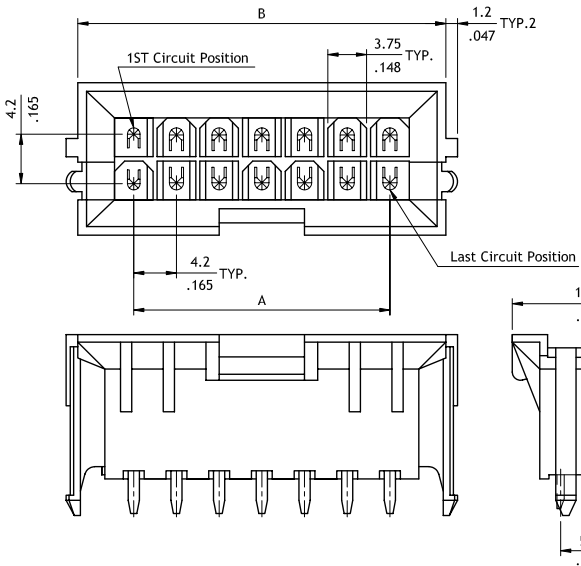
CP-013 Series 4.20mm (.165") Straight DIP Solder Headers

- ⊙ Optional PCB mounting pegs
- ⊙ Mates with CP-011 Connector
- ⊙ Nylon 66 UL 94V-0 or V-2 insulator material
- ⊙ Glow Wire test material available

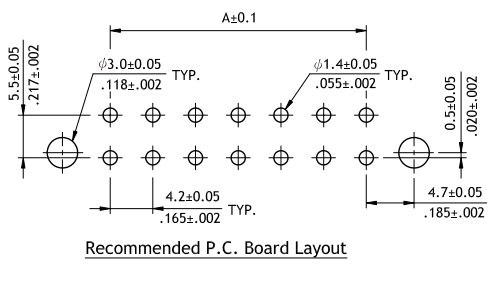
RoHS Compliant



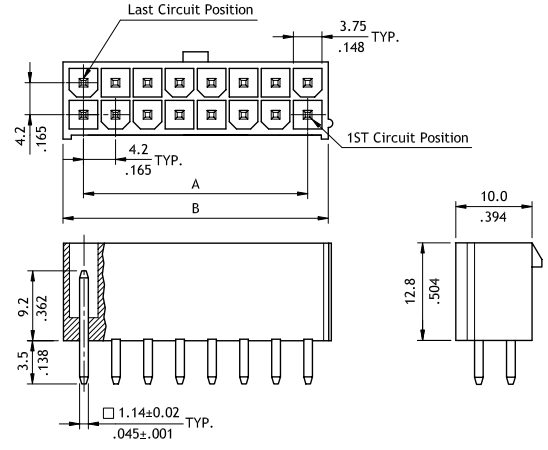
P/N CP-013**160 / CP-013**170 / CP-013**1H0



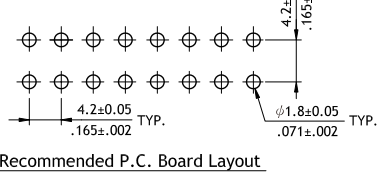
Circuits	Dimension	
	A	B
4	4.2(.165)	15.1(.594)
6	8.4(.331)	19.3(.760)
8	12.6(.496)	23.5(.925)
10	16.8(.661)	27.7(1.091)
14	25.2(.992)	36.1(1.421)
16	29.4(1.157)	40.3(1.587)
18	33.6(1.323)	44.5(1.752)
24	46.2(1.819)	57.1(2.248)



P/N CP-013**180 / CP-013**190 / CP-013**1J0



Circuits	Dimension	
	A	B
2	—	6.0(.236)
4	4.2(.165)	10.2(.402)
6	8.4(.331)	14.4(.567)
8	12.6(.496)	18.6(.732)
10	16.8(.661)	22.8(.898)
12	21.0(.827)	27.0(1.063)
14	25.2(.992)	31.2(1.228)
16	29.4(1.157)	35.4(1.394)
18	33.6(1.322)	39.6(1.559)
20	37.8(1.487)	43.8(1.724)
22	42.0(1.652)	48.0(1.890)
24	46.2(1.817)	52.2(2.055)



Ordering Code

① ② ③ ④ ⑤ ⑥
CP - 01 3 2 4 1 6 0

- ① Series No.
- ② Connector Type:
3 = Straight PCB mount header
- ③ No. of Circuits : see above table
- ④ Plating Code : 1 = Tin over Nickel
- ⑤ Variation :
6 = UL 94V-2 (B.M.I Type)
7 = UL 94V-0 (B.M.I Type)
8 = UL 94V-2 (with square pin)
9 = UL 94V-0 (with square pin)
J = GWT approval (with square pin)
H = GWT approval (B.M.I Type)
- ⑥ Other Options: 0 = Standard

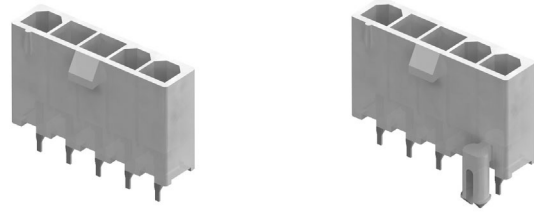
CP

POWER CONNECTORS

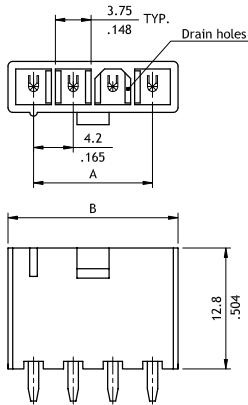
CP-013 Series 4.20mm (.165") Straight DIP Solder Headers

- Ⓞ Optional PCB mounting pegs
- Ⓞ Mate with CP-011 Connector
- Ⓞ Nylon 66 UL 94V-0 or V-2 insulator material

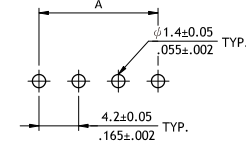
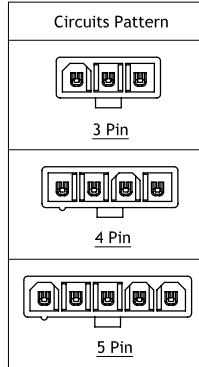
RoHS Compliant



P/N CP-013**11S / CP-013**13S / CP-013**16S / CP-013**17S

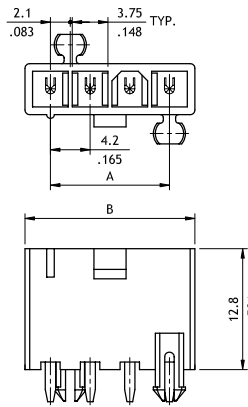


Circuits	Dimension	
	A	B
3	8.4(.331)	13.8(.543)
4	12.6(.496)	18.0(.709)
5	16.8(.661)	22.2(.874)

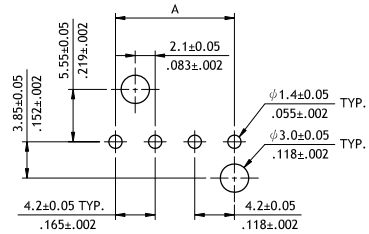
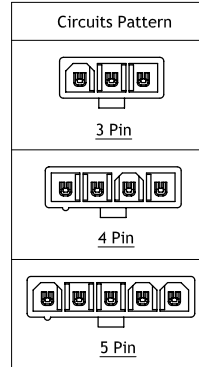


Recommended P.C. Board Layout

P/N CP-013**14S / CP-013**15S / CP-013**18S / CP-013**19S



Circuits	Dimension	
	A	B
3	8.4(.331)	13.8(.543)
4	12.6(.496)	18.0(.709)
5	16.8(.661)	22.2(.874)



Recommended P.C. Board Layout

Ordering Code

① ② ③ ④ ⑤ ⑥
CP - 01 3 05 1 S S

- ① Series No.
- ② Connector Type:
3 = Straight PCB mount header
- ③ No. of Circuits: see above table
- ④ Plating Code: 1 = Tin over Nickel

- ⑤ Variation:
 Without mounting peg:
 1 = UL 94V-2 (with drain holes)
 3 = UL 94V-0 (with drain holes)
 6 = UL 94V-2 (without drain hole)
 7 = UL 94V-0 (without drain hole)
 With mounting pegs:
 4 = UL 94V-2 (with drain holes)
 5 = UL 94V-0 (with drain holes)
 8 = UL 94V-2 (without drain hole)
 9 = UL 94V-0 (without drain hole)

- ⑥ Other Options:
S = Single Row Header

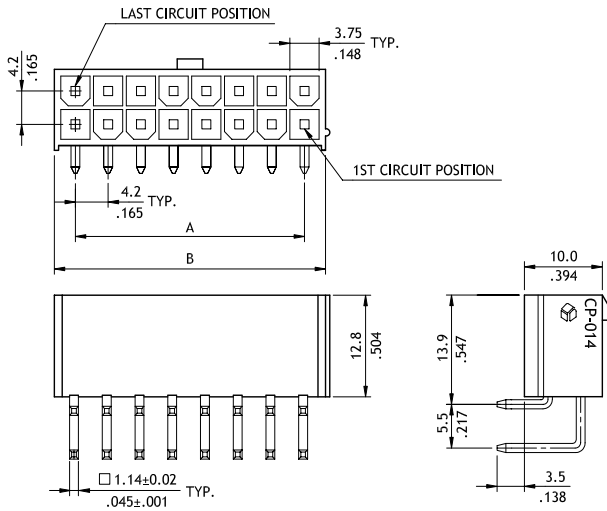
CP-014 Series 4.20mm (.165") Right Angle DIP Solder Headers

- ⊙ Option with mounting ears
- ⊙ Mate with CP-011 connector
- ⊙ Nylon 66 UL 94V-0 or V-2 insulator material

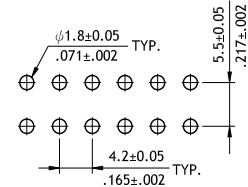
RoHS Compliant  



P/N CP-014**110 / CP-014**130

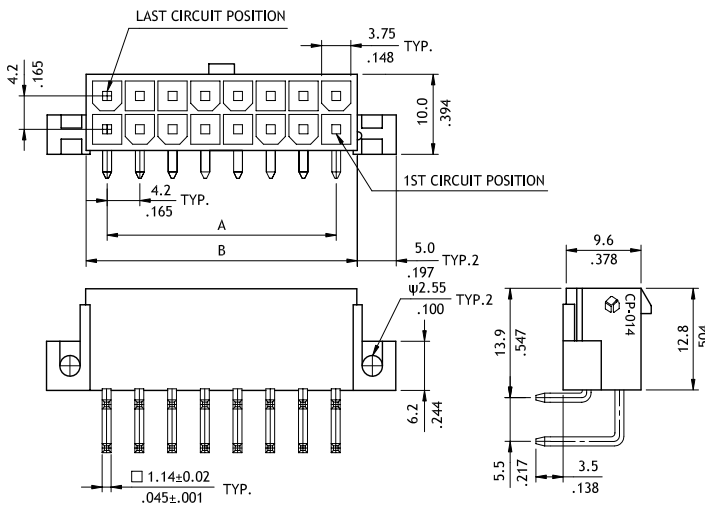


Circuits	Dimension	
	A	B
2	—	6.0(.236)
4	4.2(.165)	10.2(.402)
6	8.4(.331)	14.4(.567)
8	12.6(.496)	18.6(.732)
10	16.8(.661)	22.8(.898)
12	21.0(.827)	27.0(1.063)
14	25.2(.992)	31.2(1.228)
16	29.4(1.157)	35.4(1.394)
18	33.6(1.322)	39.6(1.559)
20	37.8(1.487)	43.8(1.724)
22	42.0(1.652)	48.0(1.890)
24	46.2(1.817)	52.2(2.055)

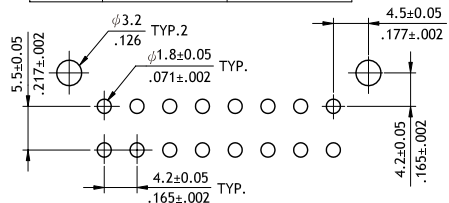


Recommended P.C. Board Layout

P/N CP-014**100 / CP-014**120



Circuits	Dimension	
	A	B
2	—	6.0(.236)
4	4.2(.165)	10.2(.402)
6	8.4(.331)	14.4(.567)
8	12.6(.496)	18.6(.732)
10	16.8(.661)	22.8(.898)
12	21.0(.827)	27.0(1.063)
14	25.2(.992)	31.2(1.228)
16	29.4(1.157)	35.4(1.394)
18	33.6(1.322)	39.6(1.559)
20	37.8(1.487)	43.8(1.724)
22	42.0(1.652)	48.0(1.890)
24	46.2(1.817)	52.2(2.055)



Recommended P.C. Board Layout

Ordering Code

① CP - 01 ② 4 ③ 24 ④ 1 ⑤ 0 ⑥ 0

- ① Series No.
- ② Connector Type : 4 = Right Angle Header
- ③ No. of Circuits : see above table
- ④ Plating Code : 1 = Tin over Nickel

- ⑤ Variation:
 - 0 = UL 94V-2 (with mounting ears)
 - 1 = UL 94V-2 (without mounting ear)
 - 2 = UL 94V-0 (with mounting ears)
 - 3 = UL 94V-0 (without mounting ear)
 - ⑥ Other Options: 0 = Standard
- *Special options consult manufacturer

CP

POWER CONNECTORS

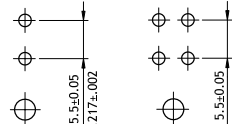
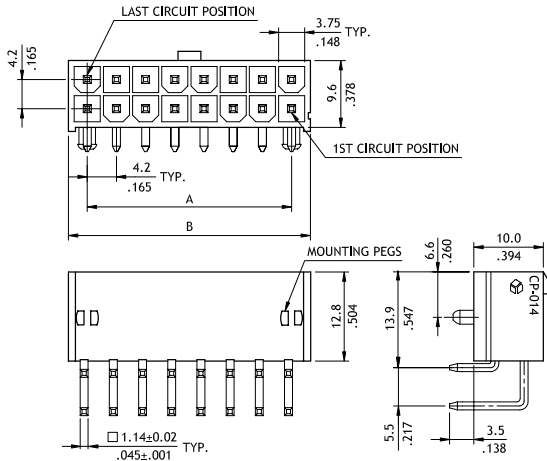
CP-014 Series 4.20mm (.165") Right Angle DIP Solder Headers

- Ⓞ Optional with mounting ears or pegs
- Ⓞ Mate with CP-011 connector
- Ⓞ Nylon 66 UL 94V-0 or V-2 insulator material
- Ⓞ Glow wire test approval material available

RoHS Compliant

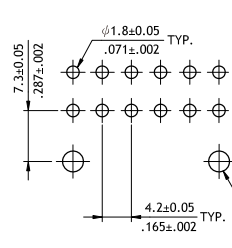


P/N CP-014**140 / CP-014**150 / CP-014**1G0



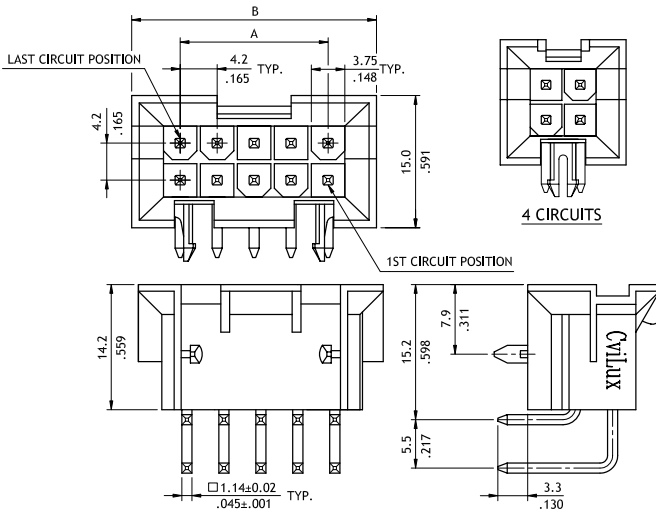
Circuits	Dimension	
	A	B
2	—	6.0(.236)
4	4.2(.165)	10.2(.402)
6	8.4(.331)	14.4(.567)
8	12.6(.496)	18.6(.732)
10	16.8(.661)	22.8(.898)
12	21.0(.827)	27.0(1.063)
14	25.2(.992)	31.2(1.228)
16	29.4(1.157)	35.4(1.394)
18	33.6(1.322)	39.6(1.559)
20	37.8(1.487)	43.8(1.724)
22	42.0(1.652)	48.0(1.890)
24	46.2(1.817)	52.2(2.055)

2 CIRCUITS 4 CIRCUITS

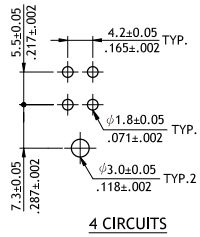


6-24 CIRCUITS Recommended P.C. Board layout

P/N CP-014**160 / CP-014**170 / CP-014**1H0



Circuits	Dimension	
	A	B
4	4.2(.165)	15.2(.598)
6	8.4(.331)	19.4(.764)
8	12.6(.496)	23.6(.929)
10	16.8(.661)	27.8(1.094)
14	25.2(.992)	36.2(1.425)
18	33.6(1.323)	44.6(1.756)
24	46.2(1.819)	57.2(2.252)



4 CIRCUITS Recommended P.C. Board layout

Ordering Code

① ② ③ ④ ⑤ ⑥
CP - 01 4 24 1 4 0

- ① Series No.
- ② Connector Type :
4 = Right Angle Header
- ③ No. of Circuits : see above table
- ④ Plating Code : 1 = Tin over Nickel
- ⑤ Variation:
4 = UL 94V-2 (with mounting pegs)
5 = UL 94V-0 (with mounting pegs)
6 = UL 94V-2 (B.M.I Type)
7 = UL 94V-0 (B.M.I Type)
G = GWT Type (with mounting pegs)
H = GWT Type (B.M.I Type)
- ⑥ Other Options: 0 = Standard
*Special options consult manufacturer

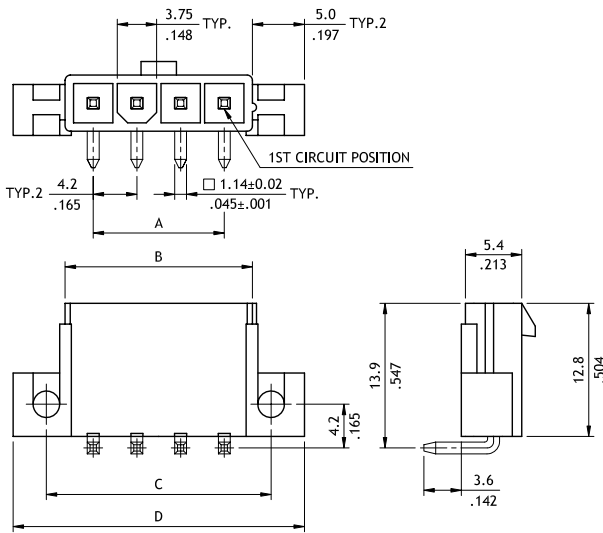
CP-014 Series 4.20mm (.165") Right Angle DIP Solder Headers

- ⊙ Option with mounting ears or pegs
- ⊙ Mate with CP-011 connector
- ⊙ Nylon 66 UL 94V-0 or V-2 insulator material

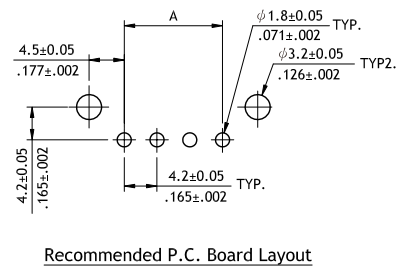
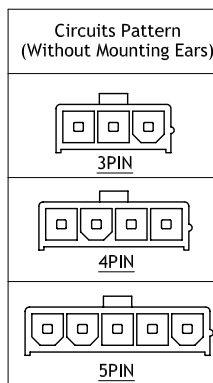
RoHS Compliant 



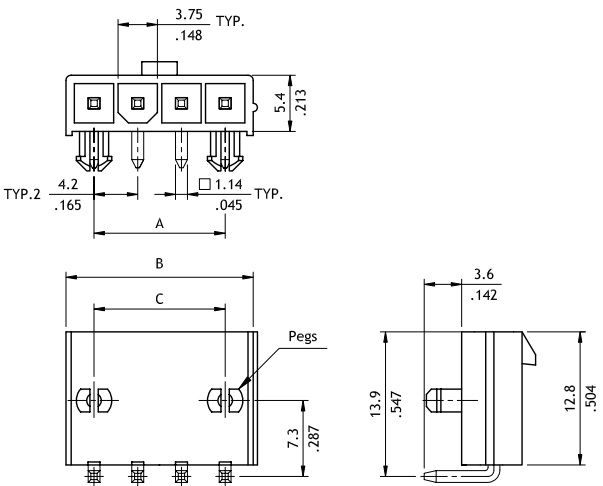
P/N CP-014**10S / CP-014**12S



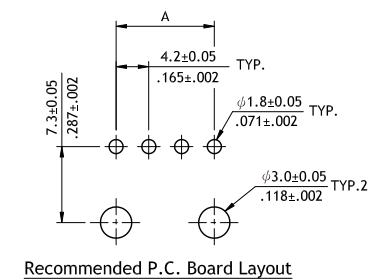
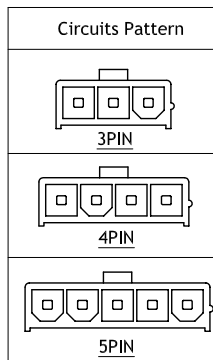
Circuits	Dimension			
	A	B	C	D
3	8.4(.331)	13.8(.543)	17.4(.685)	23.8(.937)
4	12.6(.496)	18.0(.709)	21.6(.850)	28.0(1.102)
5	16.8(.661)	22.2(.874)	25.8(1.016)	32.2(1.268)



P/N CP-014**11S / CP-014**13S/CP-014**14S / CP-014**15S



Circuits	Dimension		
	A	B	C
3	8.4(.331)	13.8(.543)	8.4(.331)
4	12.6(.496)	18.0(.709)	12.6(.496)
5	16.8(.661)	22.2(.874)	16.8(.661)



Ordering Code

① ② ③ ④ ⑤ ⑥
CP - 0 1 4 0 5 1 0 S

- ① Series No.
- ② Connector Type: 4 = Right Angle Header
- ③ No. of Circuits : see above table
- ④ Plating Code : 1 = Tin over Nickel

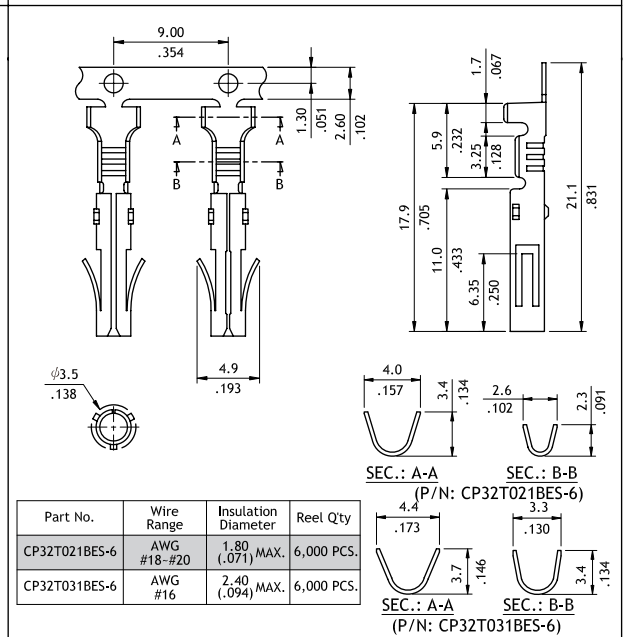
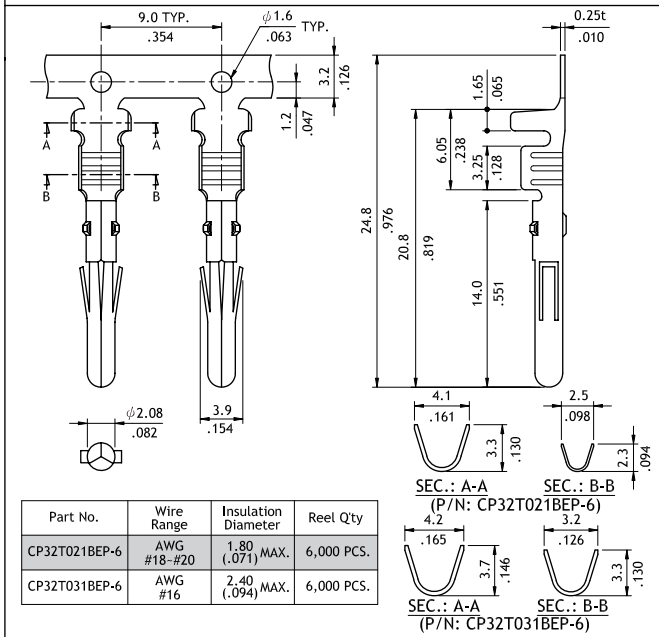
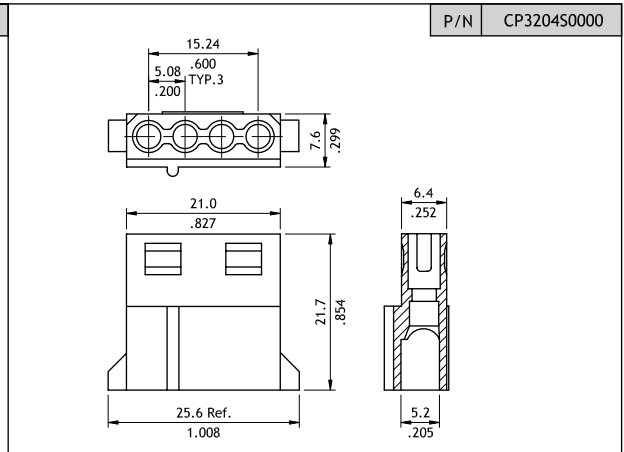
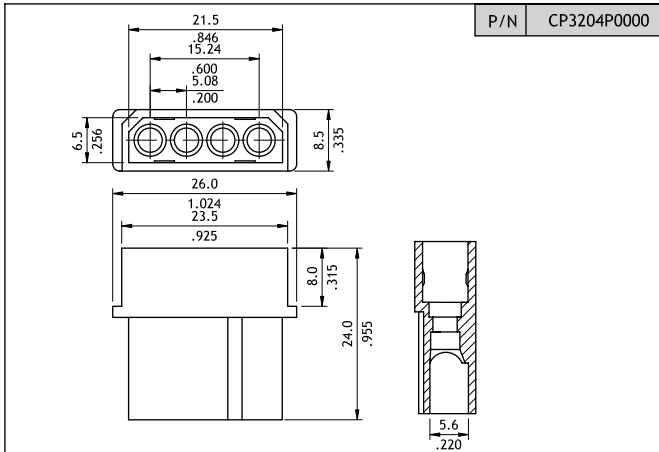
- ⑤ Variation:
 - 0 = UL 94V-2 (with mounting ears)
 - 1 = UL 94V-2 (without mounting ear and peg)
 - 2 = UL 94V-0 (with mounting ears)
 - 3 = UL 94V-0 (without mounting ear and peg)
 - 4 = UL 94V-2 (with mounting pegs)
 - 5 = UL 94V-0 (with mounting pegs)
- ⑥ Other Options : S = Single Row Header
 *Special options consult manufacturer

CP32 Series 5.08mm (.200") Power Connectors

- ⊙ Power connector for Disk Driver
- ⊙ Can be used with CP32 Crimp terminal
- ⊙ Nylon 66 UL 94V-2, Color Nature
- ⊙ Terminal: Tin plated Brass



RoHS Compliant



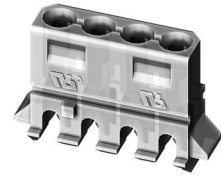
Ordering Code

① CP 3 2 ② 0 4 ③ S ④ 0 ⑤ 0 0 0

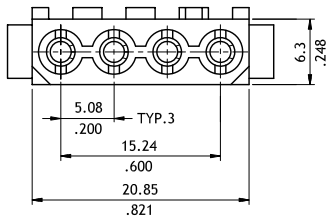
- ① Series No.
- ② No. of Circuits: 04
- ③ Type: P = Plug
S = Receptacle
- ④ Color: 0 = Nature
- ⑤ Other Options:
000 = Standard
*Special options consult manufacturer

CP33 Series 5.08mm (.200") IDC Receptacle Power Connectors

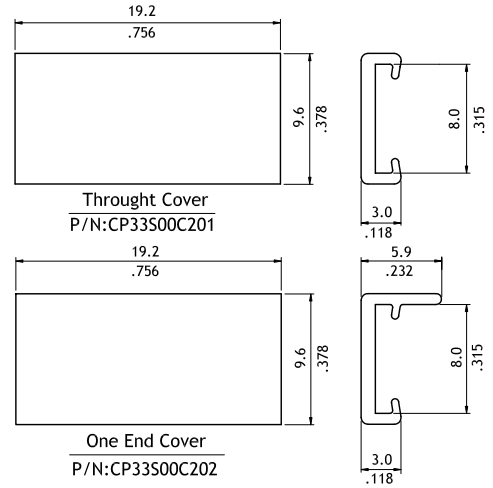
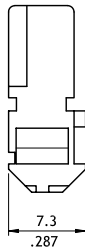
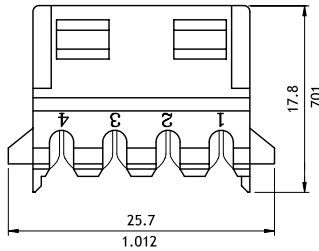
- ⊙ Insulator displacement termination
- ⊙ Option closed end daisy chain cover
- ⊙ Mates with CP32 or CP33 plug connector
- ⊙ Accept AWG #18 ~#22 wire
- ⊙ Nylon 66 UL 94V-0 or V-2 Color Nature
- ⊙ Contact: Tin plated Phosphor Bronze



RoHS Compliant

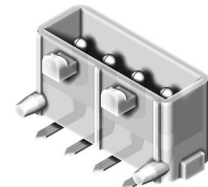
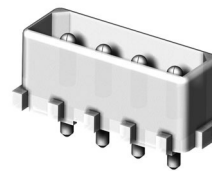


Part No.	Flame Class	Wire Range
CP3304S1000	94V-2	AWG #18-#20
CP3304S100A	94V-2	AWG #22
CP3304S100B	94V-0	AWG #18-#20
CP3304S100C	94V-0	AWG #22

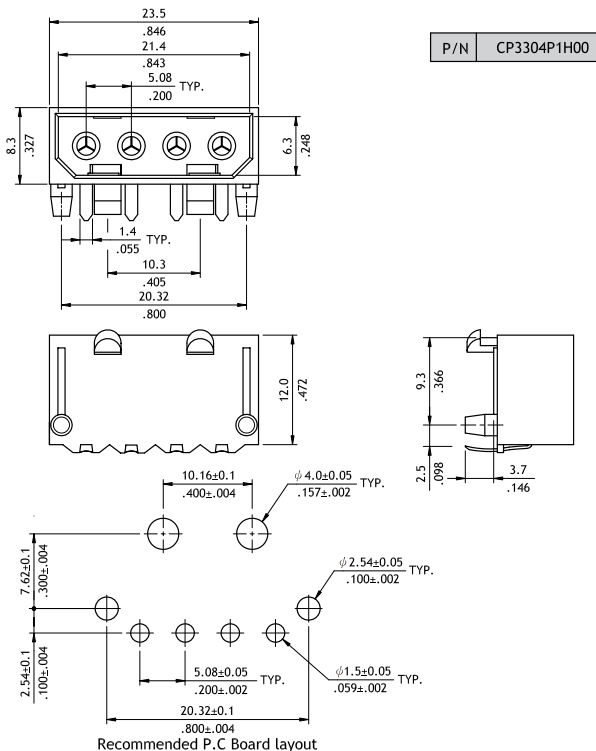
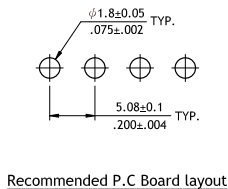
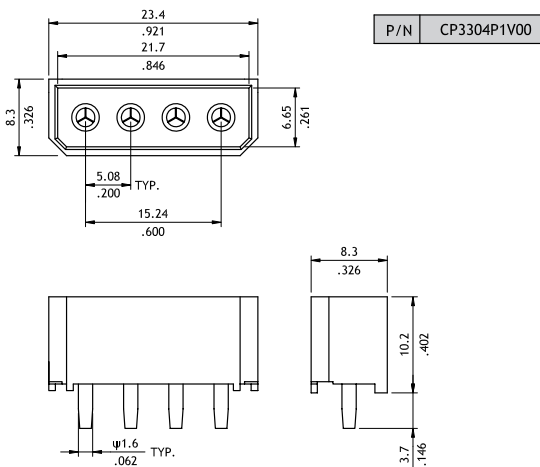


CP33 Series 5.08mm (.200") Board Mount Plug Power Connectors

- ⊙ Optional mounting pegs
- ⊙ Mate with CP32 or CP33 Receptacle connector
- ⊙ Nylon 66 UL V-2 Color Nature
- ⊙ Contact: Tin plated Brass



RoHS Compliant



Recommended P.C Board layout

CP

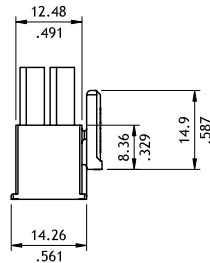
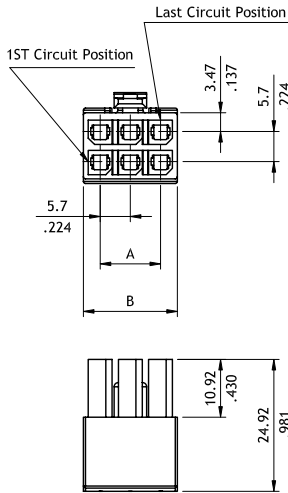
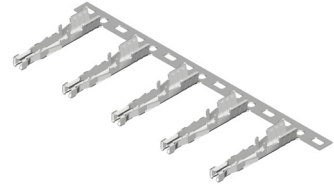
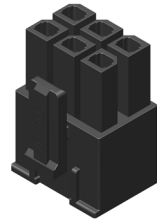
POWER CONNECTORS

CP60 Series 5.7mm (.224) Dual Row Receptacle Connectors

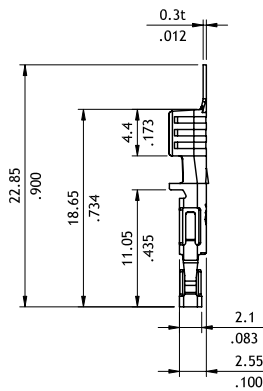
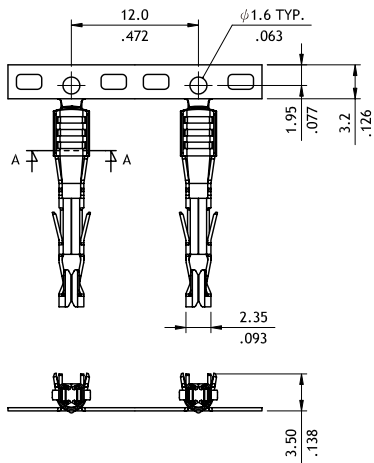
- ⊙ Mate with CP60 Header
- ⊙ Can be used with CP60 Crimp Clip terminal
- ⊙ Insulator : UL 94V-0 , Color Black
- ⊙ Terminal accommodated AWG#12~#16
- ⊙ Maximum applied current 23A

NEW

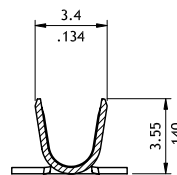
RoHS Compliant



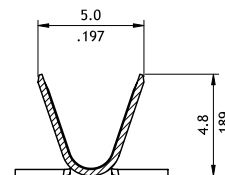
Circuits	Dimension	
	A	B
2	-	8.35(.329)
4	5.7(.224)	12.05(.474)
6	11.4(.449)	17.75(.699)
8	17.1(.673)	23.45(.923)
10	22.8(.898)	29.15(1.148)
12	28.5(1.122)	34.85(1.372)



P/N	Wire Range	Reel Qty
CP60T04*PP0-HC	AWG #12	4,000 PCS
CP60T03*PP0-HC	AWG #14-#16	4,250 PCS



SEC. A-A
P/N:CP60T03*PP0-HC



SEC. A-A
P/N:CP60T04*PP0-HC

Ordering Code

① CP 6 0 ② 1 2 ③ S ④ N 0 1 ⑤ 0

- ① Series No.
- ② No. of Circuits: 02 ~ 12
- ③ S = Housing
- ④ Color: N01 = Black Color
- ⑤ Other options : 0= Standard

① CP 6 0 ② T 0 4 ③ 1 ④ PP ⑤ 0 - ⑥ HC

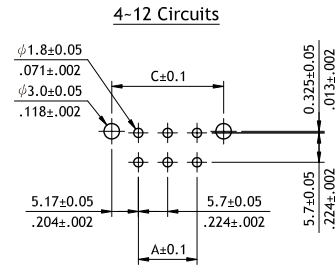
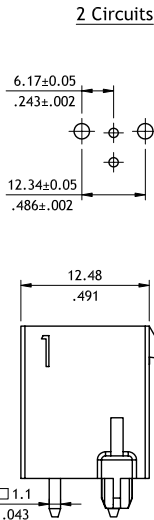
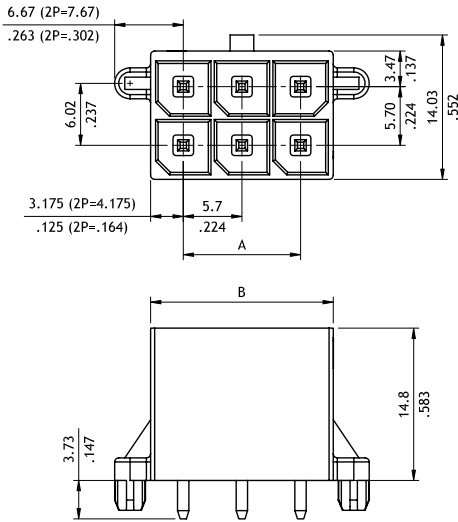
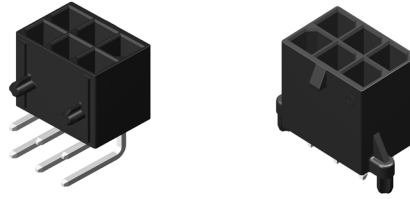
- ① Series No.
- ② Wire Range: T04 = AWG #12 , T03 = AWG #14 - #16
- ③ Plating Code:
 - 1 = Tin over Nickel
 - B = Selective 15μ" Gold flash over Nickel
 - C = Selective 30μ" Gold flash over Nickel
- ④ Plating method : PP =Post plating
- ⑤ Options: 0 = Standard
- ⑥ HC= High Current Copper Alloy

CP60 Series 5.7mm (.224) Dual Row Board Mount Header

- ⊙ Mate with CP60 Connector
- ⊙ High temperature plastic UL 94V-0
- ⊙ With PCB mounting pegs
- ⊙ Maximum applied current 23A

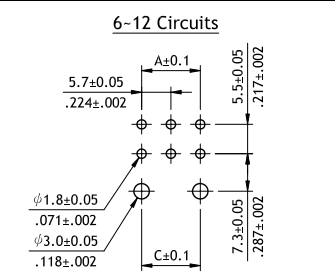
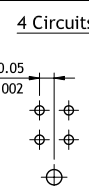
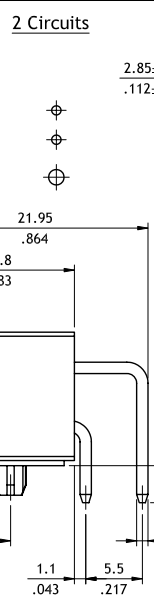
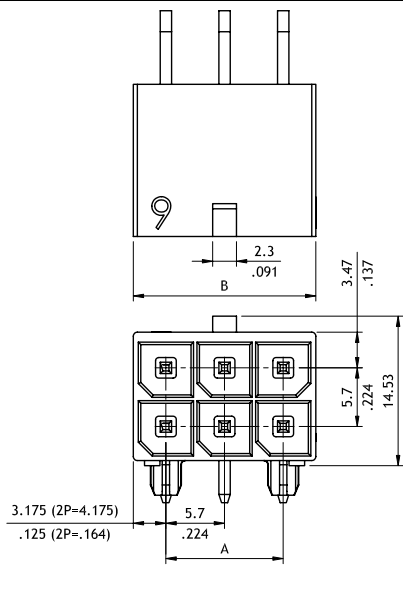
NEW

RoHS Compliant  



Recommended P.C. Board layout

Circuits	Dimension		
	A	B	C
2	-	8.35(.329)	12.34(.486)
4	5.7(.224)	12.05(.474)	16.04(.631)
6	11.4(.449)	17.75(.699)	21.74(.856)
8	17.1(.673)	23.45(.923)	27.44(1.080)
10	22.8(.898)	29.15(1.148)	33.14(1.305)
12	28.5(1.122)	34.85(1.372)	38.84(1.529)



Recommended P.C. Board layout

Circuits	Dimension		
	A	B	C
2	-	8.35(.329)	-
4	5.7(.224)	12.05(.474)	-
6	11.4(.449)	17.75(.699)	11.4(.449)
8	17.1(.673)	23.45(.923)	17.1(.673)
10	22.8(.898)	29.15(1.148)	22.8(.898)
12	28.5(1.122)	34.85(1.372)	28.5(1.122)

Ordering Code

① ② ③ ④ ⑤ ⑥ ⑦
CP60 12 P 1 V 00 - NH

- ① Series No.
- ② No. of Circuits: 02 ~ 12
- ③ P = DIP Type
- ④ Plating Code:
 1 = Tin over Nickel
 B= Selective 15μ" Gold flash over Nickel
 C= Selective 30μ" Gold flash over Nickel
- ⑤ Type
 V= Straight Type
 H= Right Angle Type
- ⑥ Option : 00= Standard
- ⑦ NH = For Lead Free soldering process and Halogen-Free

CP

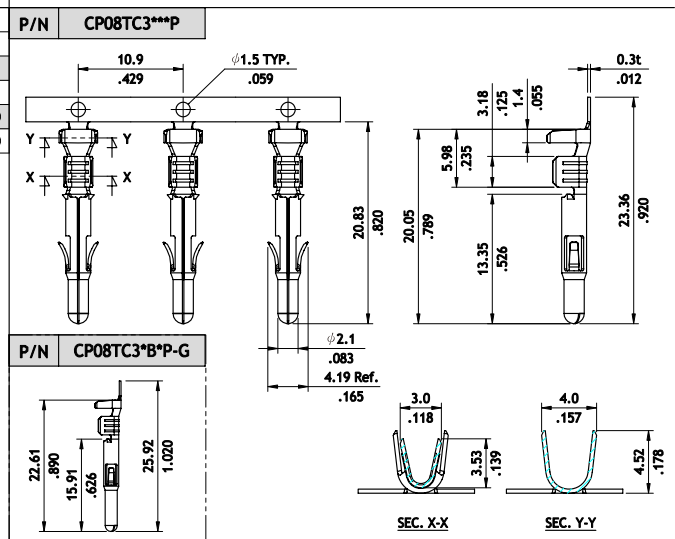
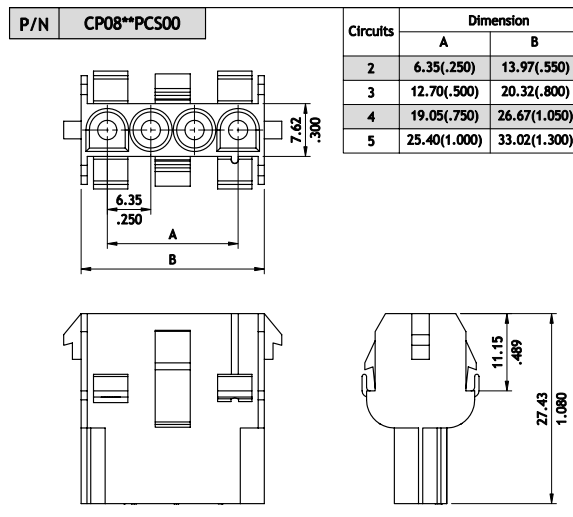
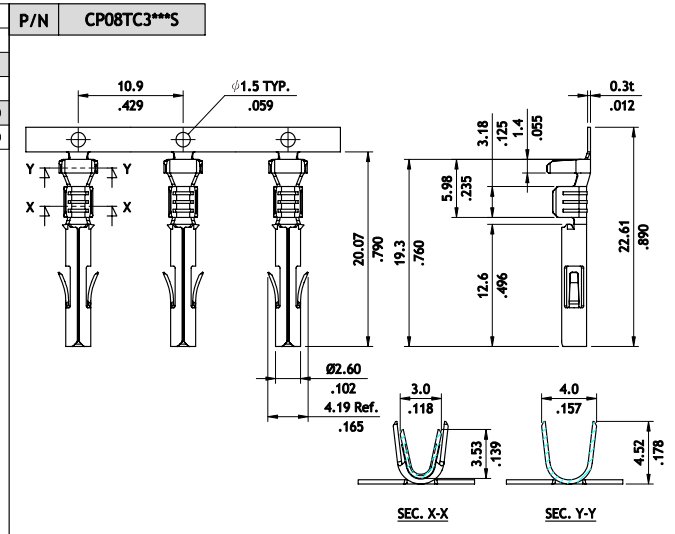
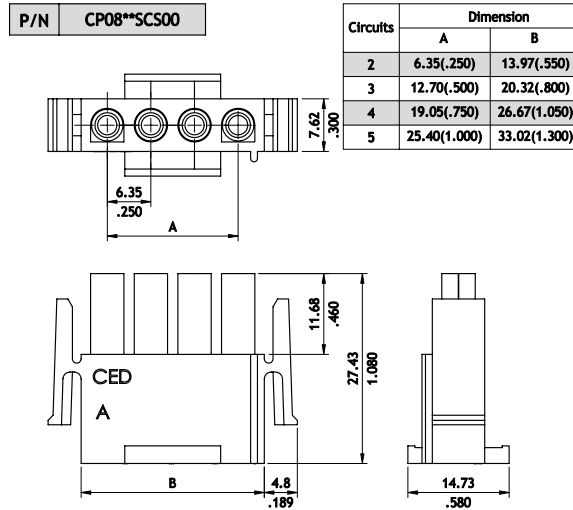
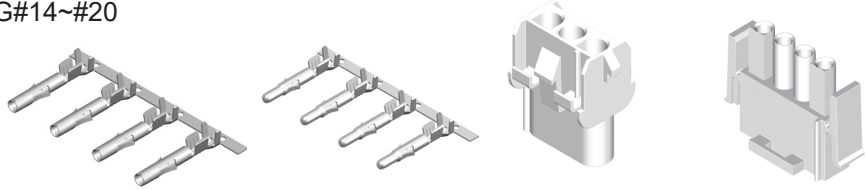
POWER CONNECTORS

CP08 Series 6.35mm (.250) Single Row Power Connectors

- ⊙ Can be used CP08 Crimp Clip terminal
- ⊙ Insulator Nylon 66 UL 94V-0 , Color Nature
- ⊙ Mate with CP08 Header
- ⊙ Terminal accommodated AWG#14~#20

NEW

RoHS Compliant



Ordering Code

① CP08 ② 10 ③ S ④ CS ⑤ 00 ① CP08 ② TC3 ③ 1 ④ P ⑤ EP - ⑥ G

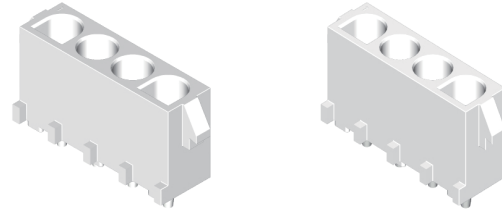
- ① Series No.
- ② No. of Circuits: 02 ~ 06 , 08 , 10
- ③ S = Receptacle Housing
P = Plug Housing
- ④ Type: CS = Single Row
- ⑤ Other Option: 00 = Standard
- ① Series No.
- ② Wire Range: TC3 = AWG #14 ~ #20
- ③ Plating Code :
1 = Tin over Nickel
C = Selective 30µ" Gold flash over Nickel
- ④ Material: P = Phosphor Bronze
B = Brass
- ⑤ Option:
ES = Receptacle Terminal (Tin)
EP = Plug Terminal (Tin)
PS = Receptacle Terminal (Gold)
PP = Plug Terminal (Gold)
- ⑥ G = Ground Type
(Only for Plug terminal)

CP08 Series 6.35mm (.250) Single Row Power Connectors

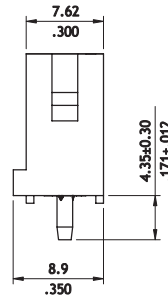
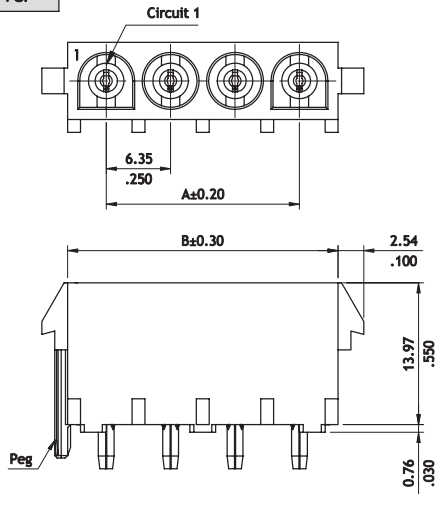
- ⊙ Insulator Nylon 66 UL 94V-0 , Color Nature
- ⊙ Mate with CP08 Housing
- ⊙ With PCB mounting pegs

NEW

RoHS Compliant  

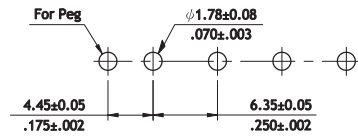
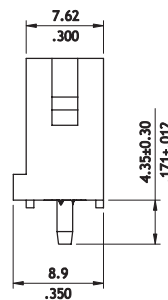
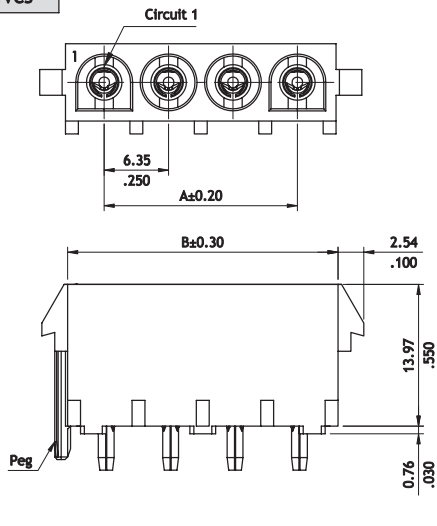


P/N CP08**P1VCP



Circuits	Dimension	
	A	B
2	6.35	13.97
3	12.70	20.32
4	19.05	26.67
5	25.40	33.02

P/N CP08**P1VCS



Recommended P.C. Board layout

Ordering Code

① ② ③ ④ ⑤ ⑥ ⑦
CP08 05 P 1 V C P

- ① Series No.
- ② No. of Circuits: 02 ~ 05
- ③ Contact Type : P = Board mount type
- ④ Plating Code :1 = Tin over Nickel
- ⑤ Type: V=Straight Type
- ⑥ Material: C = Single Row
- ⑦ Other Options: P = Male contact
S = Female contact

CP

POWER CONNECTORS

CP08 Series 6.35mm (.250) Triple Row Power Connectors

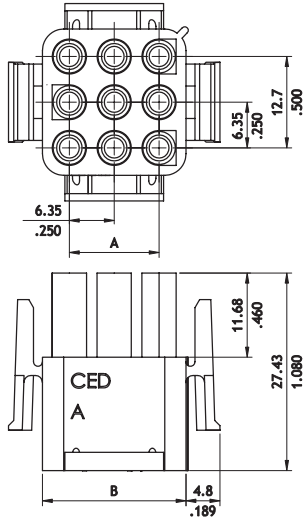
- ⊙ Can be used CP08 Crimp Clip terminal
- ⊙ Insulator Nylon 66 UL 94V-0 , Color Nature
- ⊙ Mate with CP08 Triple Row Header
- ⊙ Terminal accommodated AWG#14~#20

NEW

RoHS Compliant

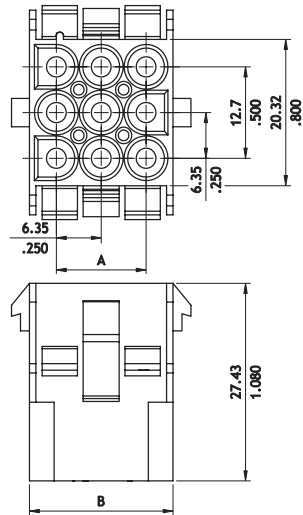


P/N CP08**SCT00
Mate with CP08TC3***S



Circuits	Dimension	
	A	B
6	6.35(.250)	13.97(.550)
9	12.70(.500)	20.32(.800)
12	19.05(.750)	26.67(1.050)
15	25.40(1.000)	33.02(1.300)

P/N CP08**PCT00
Mate with CP08TC3***P



Circuits	Dimension	
	A	B
6	6.35(.250)	13.97(.550)
9	12.70(.500)	20.32(.800)
12	19.05(.750)	26.67(1.050)
15	25.40(1.000)	33.02(1.300)

Ordering Code

① CP ② 08 ③ 12 ④ S ⑤ CT ⑥ 00

- ① Series No.
- ② No. of Circuits: 06 , 09 , 12 , 15
- ③ S = Receptacle Housing
- ④ Type : CT = Triple Row
- ⑤ Other options : 00= Standard

① CP ② 08 ③ 10 ④ P ⑤ CT ⑥ 00

- ① Series No.
- ② No. of Circuits: 06 , 09 , 12 , 15
- ③ P = Plug Housing
- ④ Type : CT = Triple Row
- ⑤ Other options : 00= Standard

CP

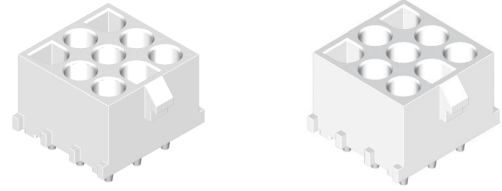
POWER CONNECTORS

CP08 Series 6.35mm (.250) Triple Row Power Connectors

- ⊙ Insulator Nylon 66 UL 94V-0 , Color Nature
- ⊙ Mate with CP08 Triple Row Header
- ⊙ Option PCB mounting ped

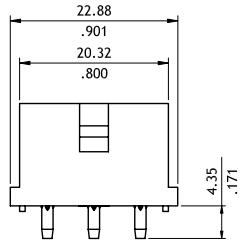
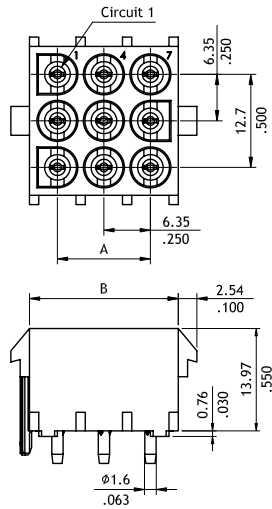
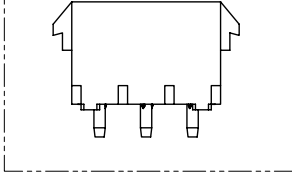
NEW

RoHS Compliant



P/N CP08**P1VDP

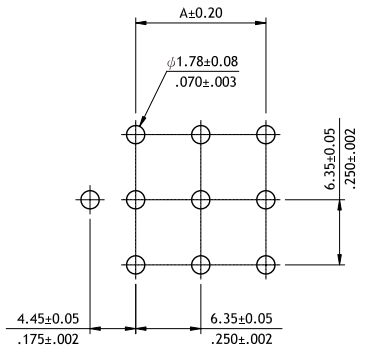
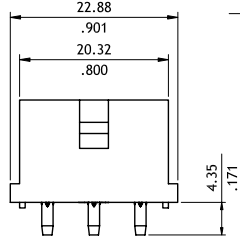
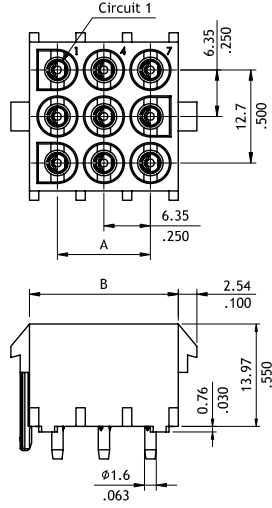
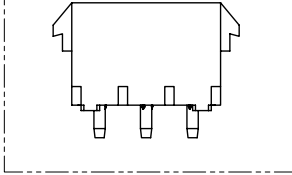
P/N CP08**P1VDP-N (without peg)



Circuits	Dimensions	
	A	B
06	6.35(.250)	13.97(.550)
09	12.70(.500)	20.32(.800)
12	19.05(.750)	26.67(1.050)
15	25.40(1.000)	33.02(1.300)

P/N CP08**P1VDS

P/N CP08**P1VDS-N (without peg)



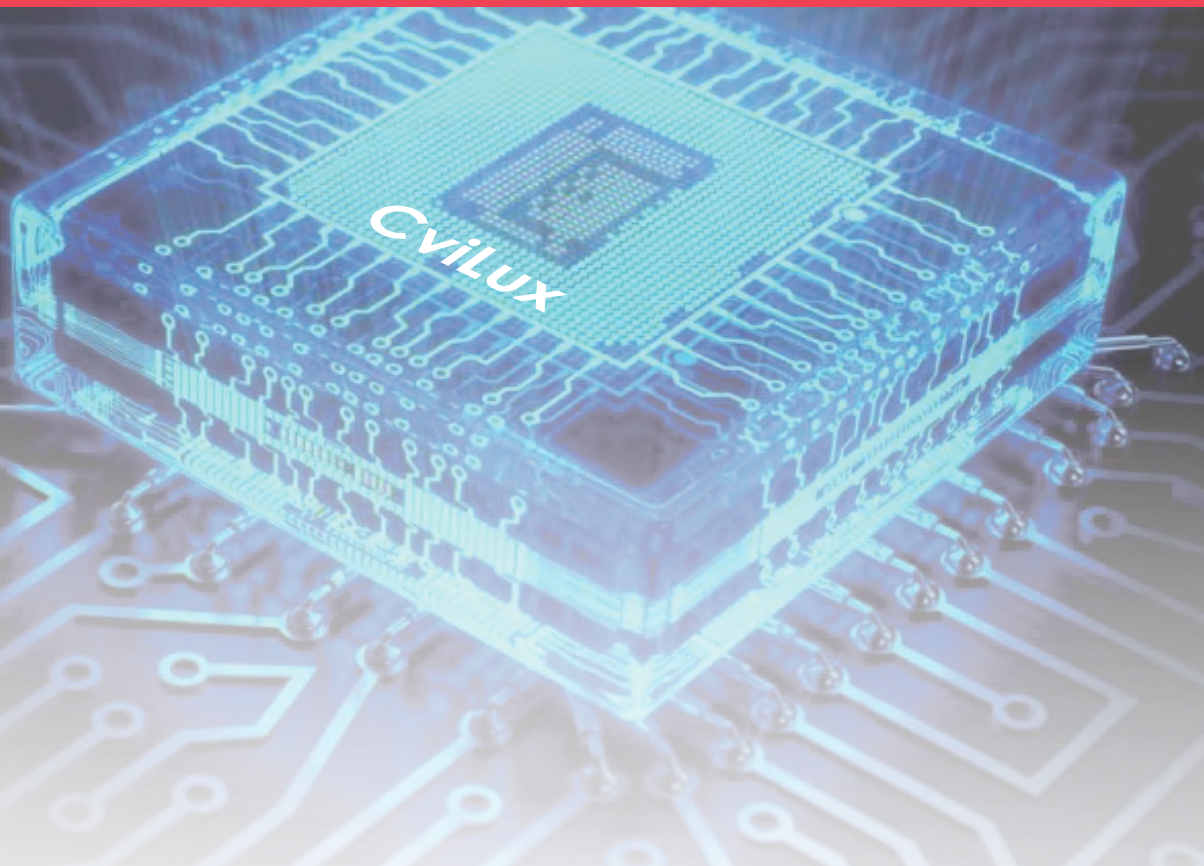
Recommended P.C. Board layout

Ordering Code

① ② ③ ④ ⑤ ⑥ ⑦ ⑧
CP08 06 P 1 V D P - N

- ① Series No.
- ② No. of Circuits: 06, 09, 12, 15
- ③ Contact Type : P = Plug
- ④ Plating Code : 1 = Tin over Nickel

- ⑤ Type: V=Straight Type
- ⑥ Material: D = Nylon 66 , UL 94V-0 (Triple Row)
- ⑦ Other Options : P = Male conact
S = Female conact
- ⑧ N = Without Peg
*Code 8 for without peg type only



CVILUX PATENT, CERTIFICATE, AWARD

CviLux R&D strength means maximizing our patents, awards and international standard of QC and certificates. We challenge our worldwide granted and pending patents listed as follows (- Oct., 2021) :

- Taiwan : 157 patents granted and pending
- China : 116 patents granted and pending
- USA : 10 patents granted and pending
- Japan : 3 patents granted and pending



CviLux Technology
(Suzhou) Co., Ltd.



Anhui CviLux Technology
Co., Ltd.



CviLux Lao Co., Ltd.

Marketing Site

CviLux Corporation
 CviLux Technology (Shenzhen) Corporation
 CviLux USA Corporation
 CviLux Opro9 Europe B.V.
 CviLux SDN BHD
 CviLux JAPAN Office
 CviLux KOREA Corporation
 CviLux QINGDAO Office
 CviLux XIAMEN Office
 Allsor Technology Corporation
 Allsor Electronics Co., Ltd.
 CviCloud Corporation
 CviCloud (SZ) Limited

Factory Site

Taiwan
 CviLux Corporation
 South China
 CviLux Electronics (Dongguan)Co., Ltd.
 Dongguan Qunhan Electronics Co., Ltd.
 East China
 CviLux Technology (Suzhou) Co., Ltd.
 West China
 CviLux Technology (Chongqing) Co., Ltd.
 Central China
 Anhui CviLux Technology Co., Ltd.
 Lao
 CviLux Lao Co., Ltd.



Taiwan

South China (Dongguan)

South China (Qunhan)

East China

West China

Central China

Lao

