

MATERIAL:

- 1.HOUSING: LCP, GLASS FIBER FILLED, BK
- 2.CONTACT: PHOSPHOR BRONZE (T=0.15mm)
- 3.GUARD PLATE:STAINLESS STEEL (T=0.10mm)
- 4.SHIELD: STAINLESS STEEL (T=0.20mm)

FINISH:

- CONTACT : GOLD PLATING ON CONTACT AREA,
MATTE TIN PLATING ON SOLDER TAILS,
NICKEL UNDERPLATING OVER ALL
SHELL: NICKEL PLATING

A12	GND	GND	B1
A11	RX2+	TX2+	B2
A10	RX2-	TX2-	B3
A9	Vbus	Vbus	B4
A8	SBU1	Vconn	B5
A7	D-		B6
A6	D+		B7
A5	CC	SBU2	B8
A4	Vbus	Vbus	B9
A3	TX1-	RX1-	B10
A2	TX1+	RX1+	B11
A1	GND	GND	B12

Ordering Code:

CU18 24 P * C 1 N 10 -LF -HC
① ② ③ ④ ⑤ ⑥ ⑦ ⑧ ⑨ ⑩

① Series No.

② No. of Circuits

③ P=Pulg

④ Plating option:

A= 1u" gold plated on Contact area,
Matte Tin plated on Solder tails,
Nickel underplating over all

B= 15u" gold plated on Contact area,
Matte Tin plated on Solder tails,
Nickel underplating over all

C= 30u" gold plated on Contact area,
Matte Tin plated on Solder tails,
Nickel underplating over all

⑤ Contact tail style:

C= PCB Clip type

⑥ Insulator Color: 1= Black

⑦ PCB Style: N= Without PCB

⑧ Shell Type: 10= Draw Type

⑨ -LF= For Lead Free IR Reflow Process

⑩ -HC= High Current

Lead Free Process

RoHS Compliant

4	3	2	1	SYM	NAME	DATE	REVISIONS	DRAWN BY:	Yan	5/15-17'	UNIT: mm / inch	TITLE: U.S.B TYPE C PLUG SMT PCB Clip type
								ENGINEER:	Yan	5/15-17'	TOLERANCE UNLESS OTHERWISE SPECIFIED	MATERIAL:
								CHECKED BY:	Andy	5/15-17'	.X ± 0.25/010 X' ± 4'	FINISH:
								APPROVED BY:	Andy	5/15-17'	.XX ± 0.20/008 X' ± 2'	
											.XXX ± 0.10/004 .XX' ±	

CVILUX CORP
2017.06.15
ISSUED

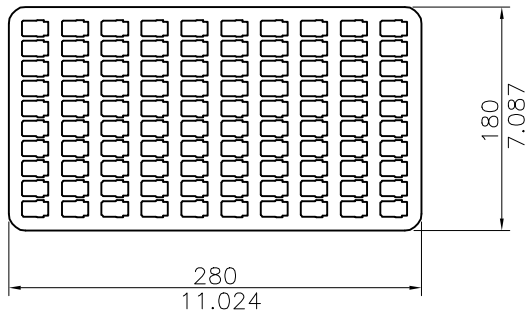


瀚荃股份有限公司
CviLux Corporation

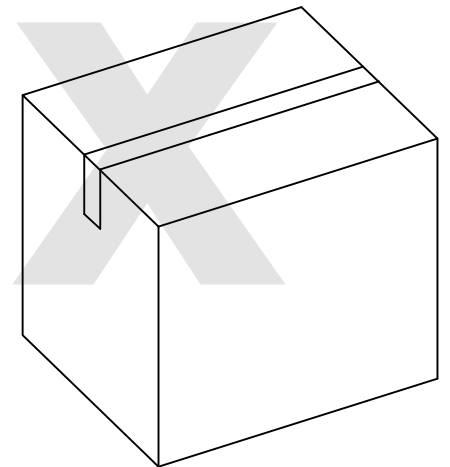
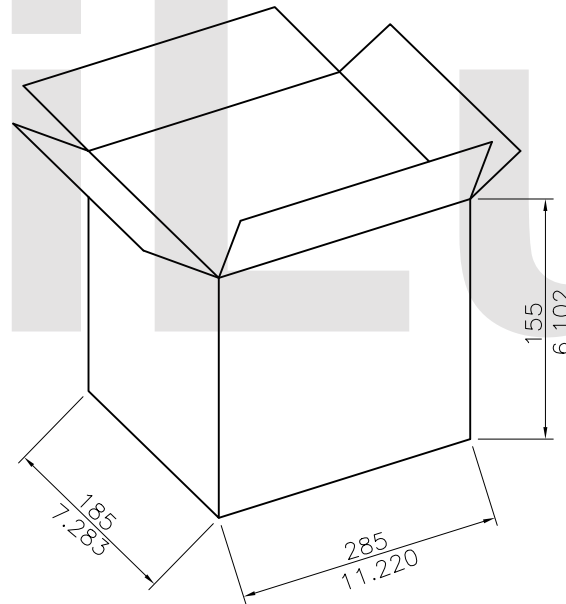
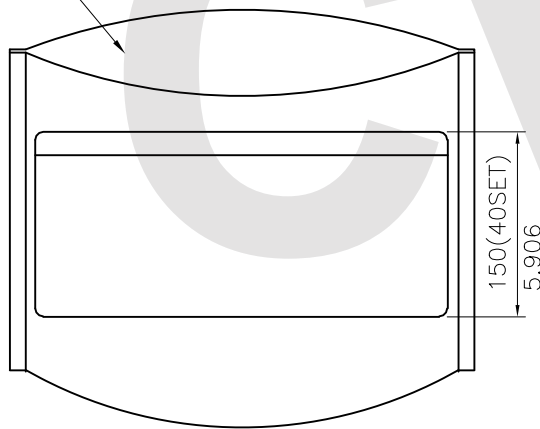
DRAWING NO.	CU1834SA	PART NO.	CU1824P*C1N10-LF-HC
SCALE	4 / 1	SHEET	1 OF 2

NOTE :

- * Tray Material : PVC
- * Quantity : 100 PCS/TRAY, 40 TRAY/CARTON




PE BAG



RoHS Compliant

CVILUX CORP
2017.06.15
ISSUED

4					DATE	UNIT: mm / inch	TITLE: U.S.B TYPE C PLUG SMT PCB Clip type	 瀚荃股份有限公司 CviLux Corporation	
3				DRAWN BY: Yan	5/15-17'	TOLERANCE UNLESS OTHERWISE SPECIFIED	MATERIAL:		DRAWING NO. CU1834SA
2				ENGINEER: Yan	5/15-17'	.X ± 1.0/.012 X'	FINISH:	SCALE	SHEET 2 OF 2
1				CHECKED BY: Andy	5/15-17'	.XX ± 0.50/.008 .X'			
SYM	NAME	DATE	REVISIONS	APPROVED BY: Andy	5/15-17'	.XXX			