

MATERIAL:

- 1.HOUSING: LCP, GLASS FIBER FILLED, BK
- 2.CONTACT: PHOSPHOR BRONZE (T=0.12mm)
- 3.GUARD PLATE:STAINLESS STEEL (T=0.10mm)
- 4.SHIELD: STAINLESS STEEL (T=0.30mm)

FINISH:

- CONTACT: GOLD PLATING ON CONTACT AREA,
MATTE PLATING ON SOLDERTAILS,
NICKEL UNDERPLATING OVER ALL
- SHELL: NICKEL PLATING

Ordering Code:

CU18 24 S * M 1 M P * R0 -LF -HC
 ① ② ③ ④ ⑤ ⑥ ⑦ ⑧ ⑨ ⑩ ⑪ ⑫

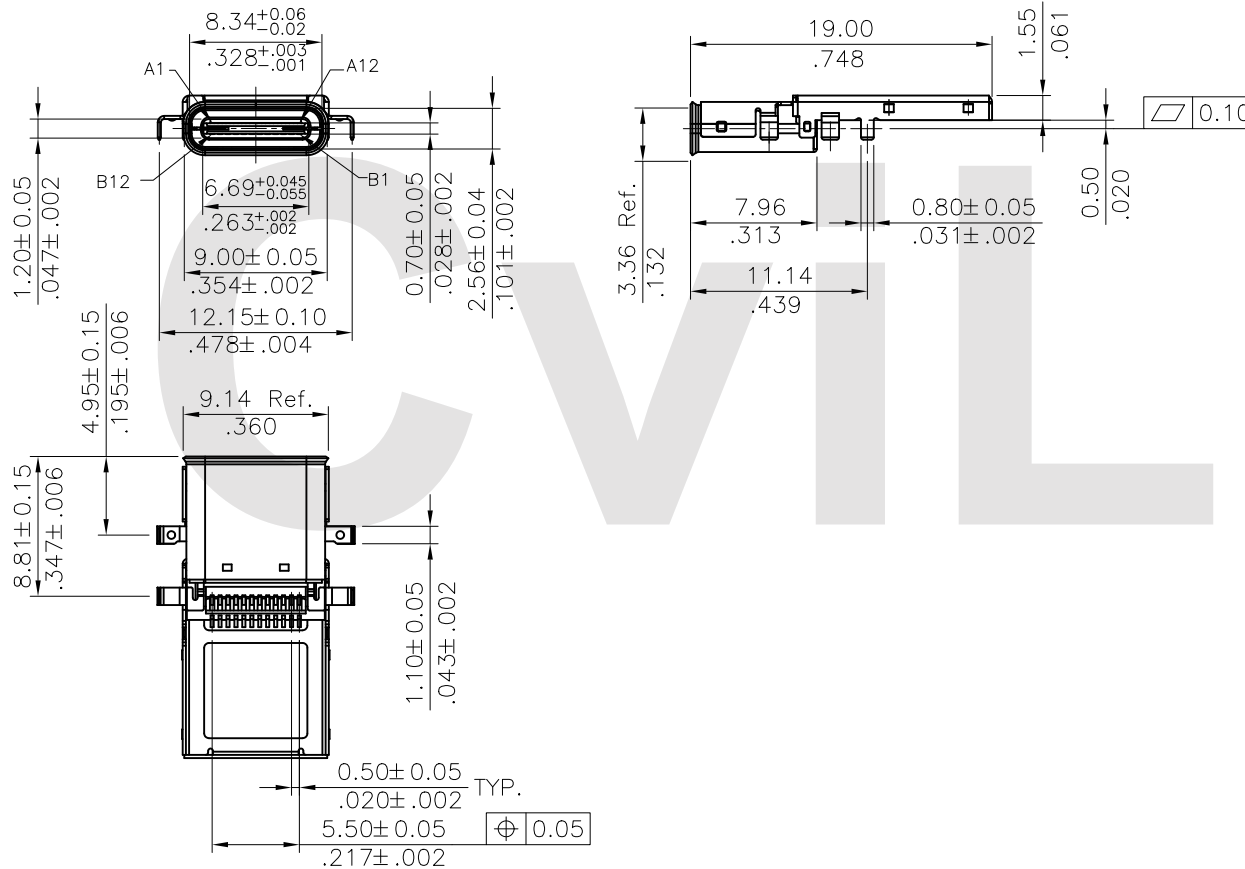
- ① Series No.
- ② No. of Circuits
- ③ S= Socket
- ④ Plating option:

- A= 1u" gold plated on Contact area,
Matte Tin plated on Solderails,
Nickel underplating over all
- B= 15u" gold plated on Contact area,
Matte Tin plated on Solderails,
Nickel underplating over all
- C= 30u" gold plated on Contact area,
Matte Tin plated on Solderails,
Nickel underplating over all

- ⑤ Contact tail style:
- M= Middle mount Side Entry Type
- ⑥ Insulator Color: 1= Black
- ⑦ Contact solder tail style: M= SMT Type
- ⑧ Shell Type: P= DIP+SMT
- ⑨ Transmission speeds:

- 0= For Gen1(Gold 15u")
- 1= For Gen2(Gold 30u")
- 2= For USB 2.0(Gold 1u")

- ⑩ Packing Option: R0= Tape & Reel
- ⑪ -LF= For Lead Free IR Reflow Process
- ⑫ -HC= For High Current



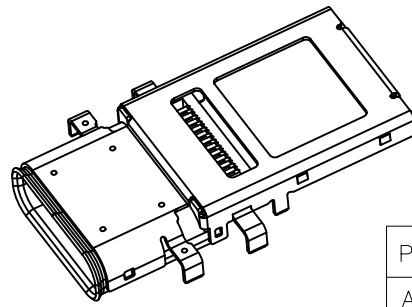
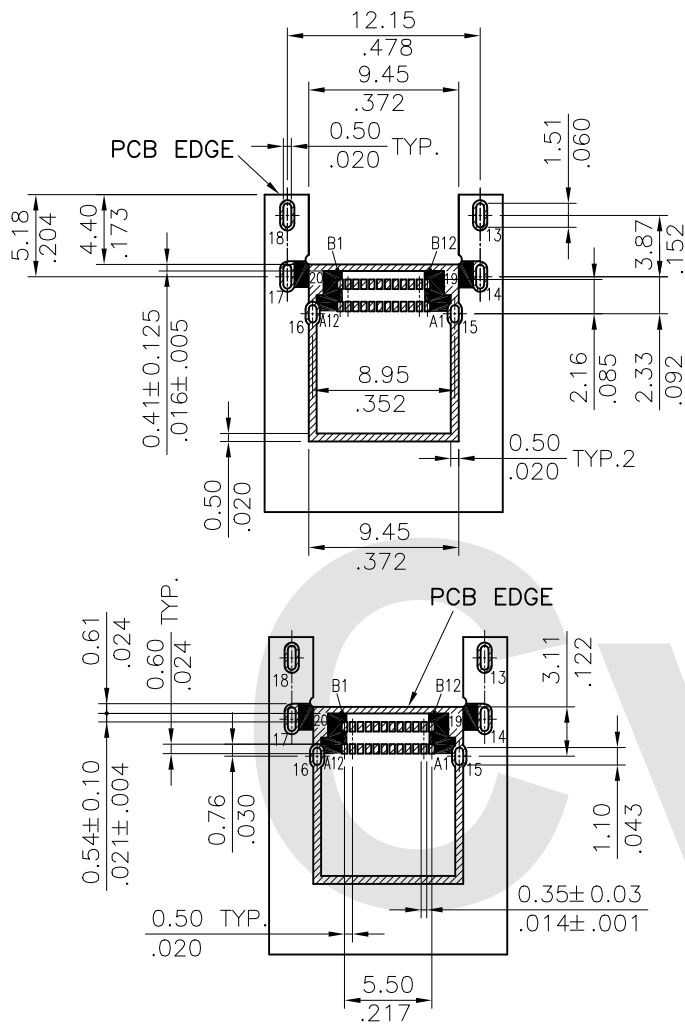
Lead Free Process RoHS compliant

④					DATE	UNIT: mm / inch	TITLE: U.S.B TYPE C SOCKET SMT Middle mount Right angle
③					DRAWN BY: Yan	5/15-17'	MATERIAL: FINISH:
②					ENGINEER: Yan	5/15-17'	
①					CHECKED BY: Andy	5/15-17'	
SYM	NAME	DATE	REVISIONS	APPROVED BY: Andy	5/15-17'		



瀚荃股份有限公司
CviLux Corporation


DRAWING NO.	CU1827SA	PART NO.	CU1824S*M1MPOR0-LF-HC
SCALE	2 / 1	SHEET	1 OF 3




USB TYPE-C FULL-FEATURED RECEPTACLE INTERFACE PIN ASSIGNMENTS

PIN	Signal Name	Description	PIN	Signal Name	Description
A1	GND	Ground return	B12	GND	Ground return
A2	SSTXp1	Positive half of first SuperSpeed TX differential pair	B11	SSRXp1	Positive half of first SuperSpeed RX differential pair
A3	SSTXn1	Negative half of first SuperSpeed TX differential pair	B10	SSRXn1	Negative half of first SuperSpeed RX differential pair
A4	Vbus	Bus Power	B9	VBUS	Bus Power
A5	CC1	Configuration Channel	B8	SBU2	Sideband Use(SBU)
A6	Dp1	Positive half of the USB 2.0 differential pair-Position 1	B7	Dn2	Negative half of the USB 2.0 differential pair-Position 2
A7	Dn1	Negative half of the USB 2.0 differential pair-Position 1	B6	Dp2	Positive half of the USB 2.0 differential pair-Position 2
A8	SBU1	Sideband Use(SBU)	B5	CC2	Configuration Channel
A9	VBUS	Bus Power	B4	VBUS	Bus Power
A10	SSRXn2	Negative half of second SuperSpeed RX differential pair	B3	SSTXn2	Negative half of second SuperSpeed TX differential pair
A11	SSRXp2	Positive half of second SuperSpeed RX differential pair	B2	SSTXp2	Positive half of second SuperSpeed TX differential pair
A12	GND	Ground return	B1	GND	Ground return

RECOMMENDED P.C.B. LAYOUT (T:1.00mm)
TOLERANCE UNSPECIFIED ±0.05mm

 : The green paint on the copper foil

 : Solder Area

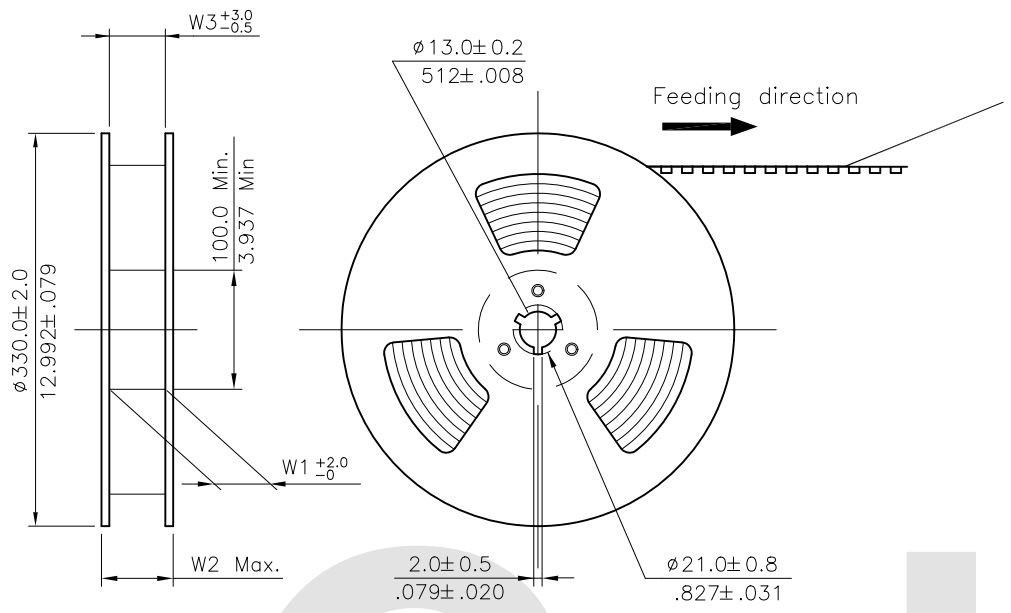
Lead Free Process RoHS Compliant

CVILUX CORP
 2017.06.15
 ISSUED

SYM	NAME	DATE	REVISIONS	APPROVED BY:	DATE	UNIT:	TITLE:	MATERIAL:	FINISH:	DRAWING NO.	PART NO.	SHEET	OF
4						mm / inch	U.S.B TYPE C SOCKET SMT Middle mount Right angle			CU1827SA		2	3
3				Yan	5/15-17'	TOLERANCE UNLESS OTHERWISE SPECIFIED							
2				Yan	5/15-17'	.X ± 0.25/010							
1				Andy	5/15-17'	.XX ± 0.20/008							
				Andy	5/15-17'	.XXX ± 0.10/004							

 瀚荃股份有限公司
CviLux Corporation

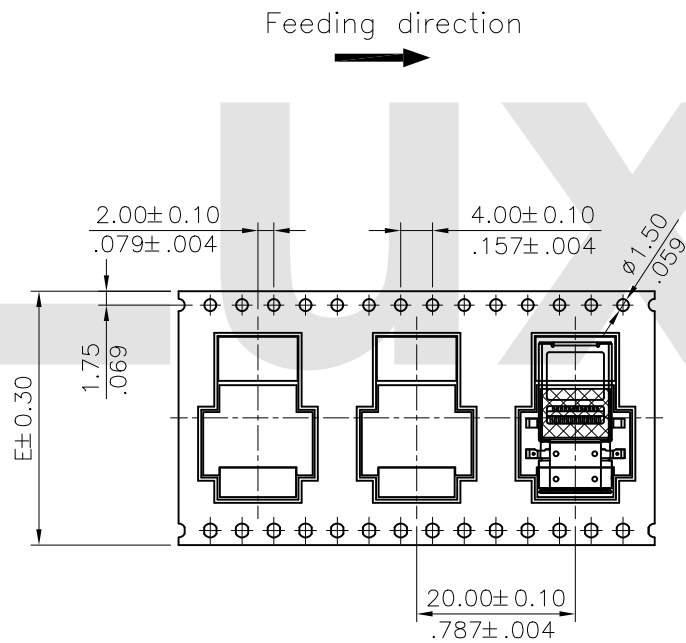
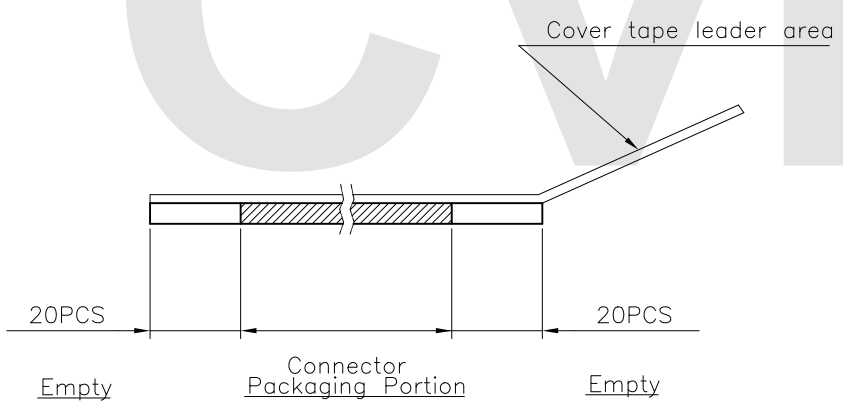
DRAWING NO. CU1827SA PART NO. CU1824S*M1MP0R0-LF-HC
SCALE 2 / 1 SHEET 2 OF 3




NOTE :

- * Reel Material : HIPS
- * Carrier Material : Clear, Conductive Polystyrene Alloy
- * Cover Tape Material : Polyester
- * Cover Tape Peel Strength : 0.1N – 1.3N
- * Carrier camber is within 1mm in 250mm
- * All dimensions meet EIA-481-B requirements.
- * Quantity : 700 PCS/Reel

Dimension				Packing (Reel/Carton)
E	W1	W2	W3	
32.0(1.260)	32.5(1.280)	38.5(1.516)	32.5(1.280)	8



RoHS Compliant

4					DATE	UNIT: mm / inch	TITLE: U.S.B TYPE C PLUG SMT MIDDLE MOUNT RIGHT ANGLE	 瀚荃股份有限公司 CviLux Corporation
3				DRAWN BY: Yan	5/15-17'	TOLERANCE UNLESS OTHERWISE SPECIFIED	MATERIAL:	
2				ENGINEER: Yan	5/15-17'	.X ±	.X' ± 1'	DRAWING NO. CU1827SA
1				CHECKED BY: Andy	5/15-17'	.XX ±	.X ±	PART NO. CU1824S*M1MPOR0-LF-HC
SYM	NAME	DATE	REVISIONS	APPROVED BY: Andy	5/15-17'	.XXX ±	.XX ±	SCALE
								SHEET 3 OF 3

CVILUX CORP
 2017.06.15
 ISSUED