

RECOMMENDED P.C.B. LAYOUT (T:1.00mm)
TOLERANCE ±0.05mm

MATERIAL:


- 1.HOUSING: LCP, GLASS FIBER FILLED, BK
- 2.CONTACT: PHOSPHOR BRONZE (T=0.12mm)
- 3.GUARD PLATE:STAINLESS STEEL (T=0.10mm)
- 4.SHIELD: STAINLESS STEEL (T=0.30mm)

FINISH:

- CONTACT: GOLD PLATING ON CONTACT AREA,
MATTE TIN PLATING ON SOLDERTAILS,
NICKEL UNDERPLATING OVER ALL
SHELL: NICKEL PLATING

Lead Free Process

RoHS Compliant

4					DATE	UNIT: mm / inch	TITLE: U.S.B TYPE C SOCKET DIP+SMT TOP MOUNT RIGHT ANGLE	 瀚荃股份有限公司 CviLux Corporation	DRAWING NO. CU1826SA	PART NO. CU1824S*H1PD*RO-LF-HC
3				DRAWN BY: Yan	5/15-17'	TOLERANCE UNLESS OTHERWISE SPECIFIED	MATERIAL:			
2				ENGINEER: Yan	5/15-17'	.X ± 0.25/010	X' ± 4'	FINISH:	SCALE 4 / 1	SHEET 1 OF 3
1				CHECKED BY: Andy	5/15-17'	.XX ± 0.20/008	.X' ± 2'			
SYM	NAME	DATE	REVISIONS	APPROVED BY: Andy	5/15-17'	.XXX ± 0.10/004	.XX' ±			



Ordering Code:

CU18 24 S * H 1 P D * R0 -LF -HC
 ① ② ③ ④ ⑤ ⑥ ⑦ ⑧ ⑨ ⑩ ⑪ ⑫

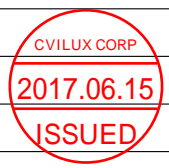
- ① Series No.
- ② No of Circuits:
- ③ S= Socket
- ④ Plating option:
 A= 1u" gold plated on Contact area,
 Matte Tin plated on Soldertails,
 Nickel underplating over all
 B= 15u" gold plated on Contact area,
 Matte Tin plated on Soldertails,
 Nickel underplating over all
 C= 30u" gold plated on Contact area,
 Matte Tin plated on Soldertails,
 Nickel underplating over all
- ⑤ Contact tail style:
 H= Top Mount, Side Entry
- ⑥ Insulator Color: 1= Black
- ⑦ Contact Solder Style: P= SMT+DIP Type
- ⑧ Shell Solder Style: D= DIP Type
- ⑨ Transmission speeds:
 0= For Gen1(Gold 15u")
 1= For Gen2(Gold 30u")
 2= For USB 2.0(Gold 1u")
- ⑩ Packing Option: R0= Reel Packing
- ⑪ -LF= For Lead Free IR Reflow Process
- ⑫ -HC= For High Current

USB TYPE-C FULL-FEATURED RECEPTACLE INTERFACE PIN ASSIGNMENTS

PIN	Signal Name	Description	PIN	Signal Name	Description
A1	GND	Ground return	B12	GND	Ground return
A2	SSTXp1	Positive half of first SuperSpeed TX differential pair	B11	SSRXp1	Positive half of first SuperSpeed RX differential pair
A3	SSTXn1	Negative half of first SuperSpeed TX differential pair	B10	SSRXn1	Negative half of first SuperSpeed RX differential pair
A4	Vbus	Bus Power	B9	VBUS	Bus Power
A5	CC1	Configuration Channel	B8	SBU2	Sideband Use(SBU)
A6	Dp1	Positive half of the USB 2.0 differential pair-Position 1	B7	Dn2	Positive half of the USB 2.0 differential pair-Position 2
A7	Dn1	Negative half of the USB 2.0 differential pair-Position 1	B6	Dp2	Negative half of the USB 2.0 differential pair-Position 2
A8	SBU1	Sideband Use(SBU)	B5	CC2	Configuration Channel
A9	VBUS	Bus Power	B4	VBUS	Bus Power
A10	SSRXn2	Negative half of second SuperSpeed RX differential pair	B3	SSTXn2	Negative half of second SuperSpeed TX differential pair
A11	SSRXp2	Positive half of second SuperSpeed RX differential pair	B2	SSTXp2	Positive half of second SuperSpeed TX differential pair
A12	GND	Ground return	B1	GND	Ground return

Lead Free Process RoHS Compliant

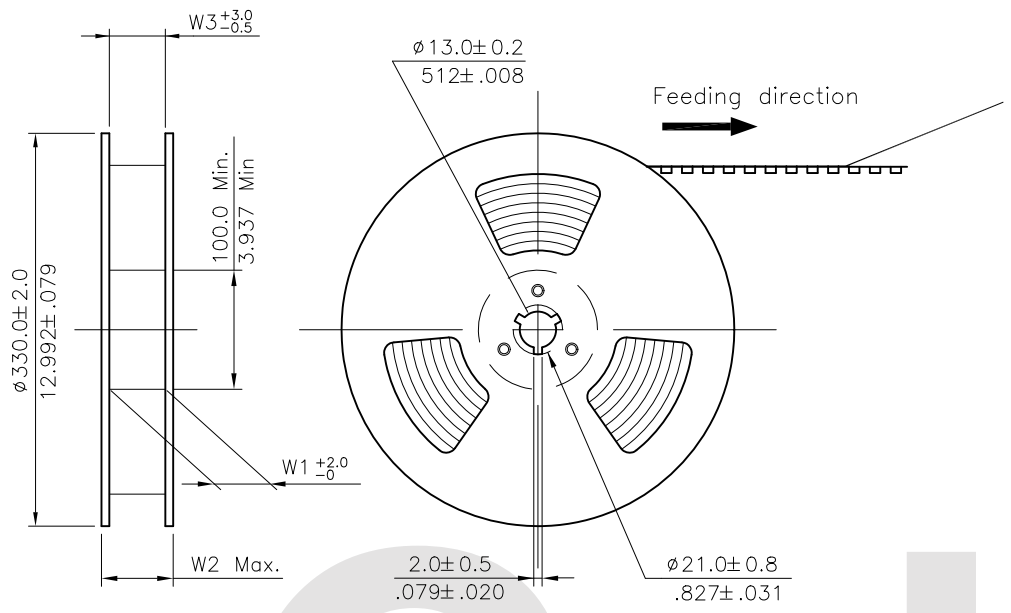
④					DATE	UNIT: mm / inch	TITLE: U.S.B TYPE C SOCKET DIP+SMT TOP MOUNT RIGHT ANGLE
③				DRAWN BY: Yan	5/15-17'	TOLERANCE UNLESS OTHERWISE SPECIFIED	MATERIAL:
②				ENGINEER: Yan	5/15-17'		
①				CHECKED BY: Andy	5/15-17'	FINISH:	
SYM	NAME	DATE	REVISIONS	APPROVED BY: Andy	5/15-17'		



瀚荃股份有限公司
CviLux Corporation

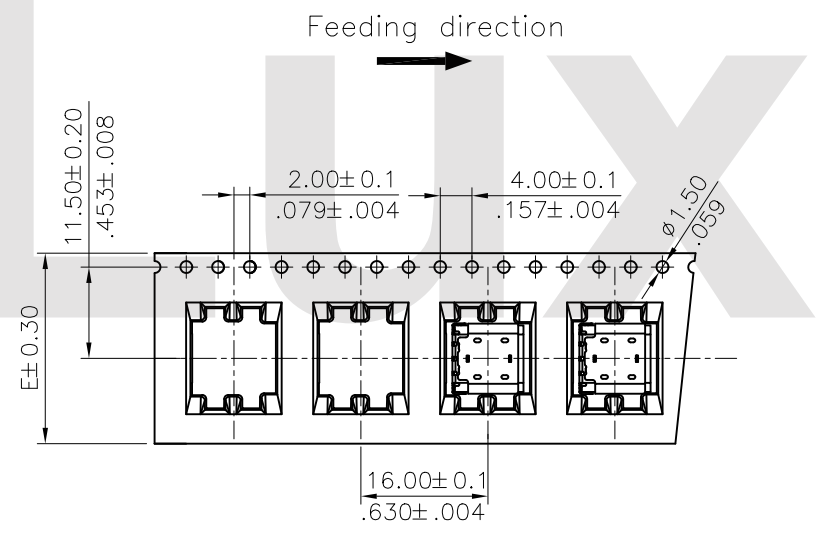
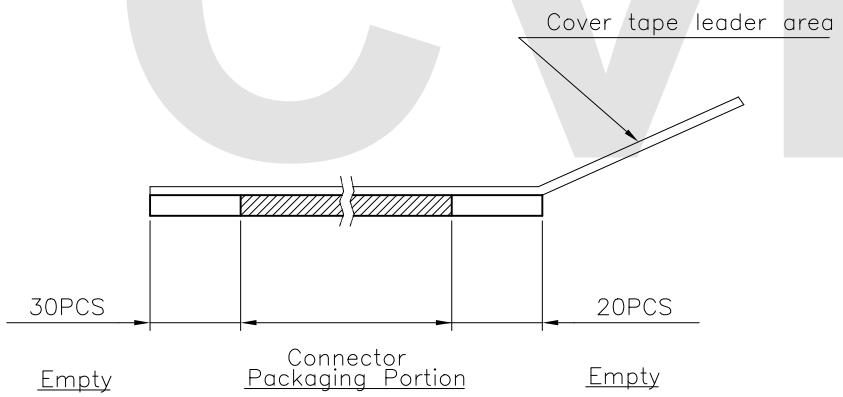
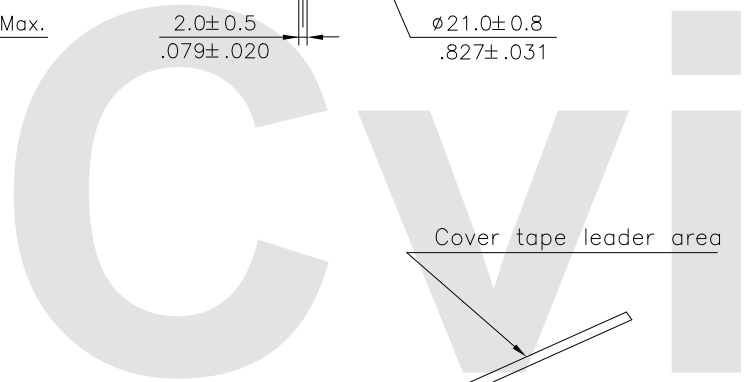
DRAWING NO. **CU1826SA** PART NO. **CU1824S*H1PD*R0-LF-HC**

SCALE 4 / 1 SHEET 2 OF 3



- NOTE :
- * Reel Material : HIPS
 - * Carrier Material : Clear, Conductive Polystyrene Alloy
 - * Cover Tape Material : Polyester
 - * Cover Tape Peel Strength : 0.1N – 1.3N
 - * Carrier camber is within 1mm in 250mm
 - * All dimensions meet EIA-481-B requirements.
 - * Quantity : 700 PCS/Reel

Dimension				Packing (Reel/Carton)
E	W1	W2	W3	
24.0(.945)	24.5(.965)	30.5(1.201)	24.5(.965)	7



WIDTH : 24 mm Carrie

RoHS Compliant

4					DATE	UNIT: mm / inch	TITLE: U.S.B TYPE C SOCKET DIP+SMT	瀚荃股份有限公司 CviLux Corporation	
3					DRAWN BY: Yan	TOLERANCE UNLESS OTHERWISE SPECIFIED	Top mount Straight		
2					ENGINEER: Yan	.X ±	MATERIAL:	DRAWING NO. CU1826SA PART NO. CU1824S*H1PD*RO-LF-HC	
1					CHECKED BY: Andy	.XX ±	FINISH:		
SYM	NAME	DATE	REVISIONS	APPROVED BY: Andy	5/15-17'	.XXX ±		SCALE	SHEET 3 OF 3

CVILUX CORP
 2017.06.15
 ISSUED