

Established

Taiwan , year 1990

Main Business

CviLux Brand & ODM/OEM Business

Key Products

Connector, FFC, Wire Harness, Cable Assemblies, PCBA, Electronic Components, 3C Product ... etc.

Competitive Advantage

- (1) Listed Company in Taiwan Stock Market (TWSE8103)
- (2) Worldwide Sales Network
- (3) Advance ERP & Customer Service
- (4) Integrated Marketing Service System
- (5) Turnkey Green Product Solution
- (6) International Standard of QC & Certificates

Factory & Office Location

Taiwan – Tamsui Plant – Headquarters (CCT)

- China – Dongguan Plant – 1 (CED)
- Dongguan Plant – 2 (DQH)
- Dongguan Plant – 3 (CED2)
- Suzhou Plant (HBC)
- Chongqing Plant (CQC)
- Anhui Plant (AHC)
- Shenzhen Office (CTS)

Lao – Lao Plant (LAO)

USA – USA Office (CUC)

Sales Agent

Allsor Technology Corporation (Taiwan)

Allsor (Dongguan) Technology Corporation (China)

Quality Policy

Improve Our Product Quality & Operation System
To Satisfy Our Customer's Demand

I.P.O.

TWSE8103 (Taiwan Stock Exchange Corp.)



CviLux Corporation Headquarters, Taiwan



CviLux Electronics (Dongguan) Co., Ltd.



CviLux Technology (Shenzhen) Corporation



CviLux Technology (Chongqing) Corporation



Dongguan Qunhan Electronics Co., Ltd.

TERMS & CONDITIONS

Sample Request

Samples will be dispatched out by freight collected courier against prices approved by customers.

Tape & Reel Request

T/R available, please consult manufacturer for details.

Quotation Validity

Quoted prices are based on current selling prices and will be valid within 6 months from issued date. CviLux reserves the right to adjust quoted prices any time in response to International raw material costs or simply error correction on typing.

Export Payment Terms

Standard term is T/T in advance. Payment term extension application to be approved by CviLux individually.

Minimum Package Quantity

Customer order quantity should meet our minimum package quantity for purpose of inventory control and speeding up for delivery.

Minimum Order Quantity

To smooth production process, please place orders to meet our MOQ based on different products.

Delivery Term

(A) Air shipment amount over USD 5000/ EURO 4500
F.C.A. Taiwan/H.K./ Shanghai.

(B) Air shipment amount less than USD 5000 / EURO 4500:
F.C.A. Taiwan/H.K./ Shanghai + handling charge USD 350/
EURO 310 or EXW without handling charge.

(C) Sea shipment amount over USD 12000/ EURO 11000:
F.O.B. Taiwan/H.K./ Shanghai.

(D) Sea shipment amount less than USD 12000/ EURO 11000: F.O.B. Taiwan/H.K./Shanghai + handling charge USD 350/ EURO 310 or EXW without handling charge. CviLux reserves the right to adjust handling charge to reflect actual transportation cost and exchange rate if any necessary.

Time of Delivery

All delivery dates quoted are estimated, are not guaranteed and do not form a term of contract, while every endeavor will be made to comply with these dates, CviLux shall have no liability for any delay in dispatch or delivery.

Placing Orders

Please place a formal order by fax, e-mail. Verbal Phone orders will not be accepted or entered into our system. place a formal order by fax, e-mail. Verbal phone orders will not be accepted or entered into our system.

Orders Cancellation and Changes

Customer's orders' cancellation or changes should be informed in 3 days after orders placing. Any unrecoverable manufacturing cost raised by the cancellation and changes will be charged to the customers.

Shipping

Special shipping instruction will be followed whenever possible. If no special demand of shipping, we will deliver the shipment to you with the "best way."

Constant Product Improvement

The products supplied may not be agreed in all details with description and illustrations. Product specifications are subject to constant improvement.

Guarantee

All "non-customized" parts from CviLux Corporation are unconditionally guaranteed for 30 days from the date of shipment.

Warranty

CviLux Corporation warrants the materials and workmanship of its products for 80 days from the date of shipment.

Returned Goods

Any defects or errors for which we are responsible will be promptly rectified. Approval for return of goods must be requested by CviLux. All products returned must have been purchased from CviLux Corporation within 6 months from the date of invoice, and must be packed and shipped in clean and re-saleable condition. Credit for returned goods shall only be allowed by receiving CviLux official credit notes after above requirements have been met

Force Majeure

CviLux shall have no liability in respect of failure to deliver or per form or delay in delivering or performing any obligations to the customer, due to any cause of whatsoever nature outside of the reasonable control of the seller including but not limited to causes arising from acts or omissions of the customer.

Export Control Regulations

Some or All of the goods supplied by CviLux may be subject to export control regulations. Such goods may not be exported by the customer without prior approval of the relevant authorities. It is the responsibility of the customer to obtain such approval. Under no circumstances shall the seller be liable for any loss or damages incurred by the customer as a result of customer's contravention of any export control regulations.



Wire to Board & Cable Assembly



Power Connectors



Pin Headers



FFC/ FPC Connectors



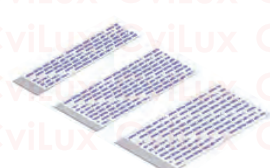
RF Connectors



D-SUB Connectors



FFC



USB Type C Connectors & Cable





Wire to Board & Cable Assembly



Pin Headers



FFC/ FPC Connectors & FFC



RF Connectors



D-SUB & Combo D-SUB



Telephone Jacks



USB Type C Connectors & Cable



Mini PCI-E

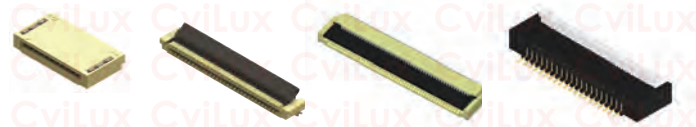




Wire to Board Connectors & Harness Cable



FFC/FPC Connectors



FFC & LVDS FFC



Power Connectors

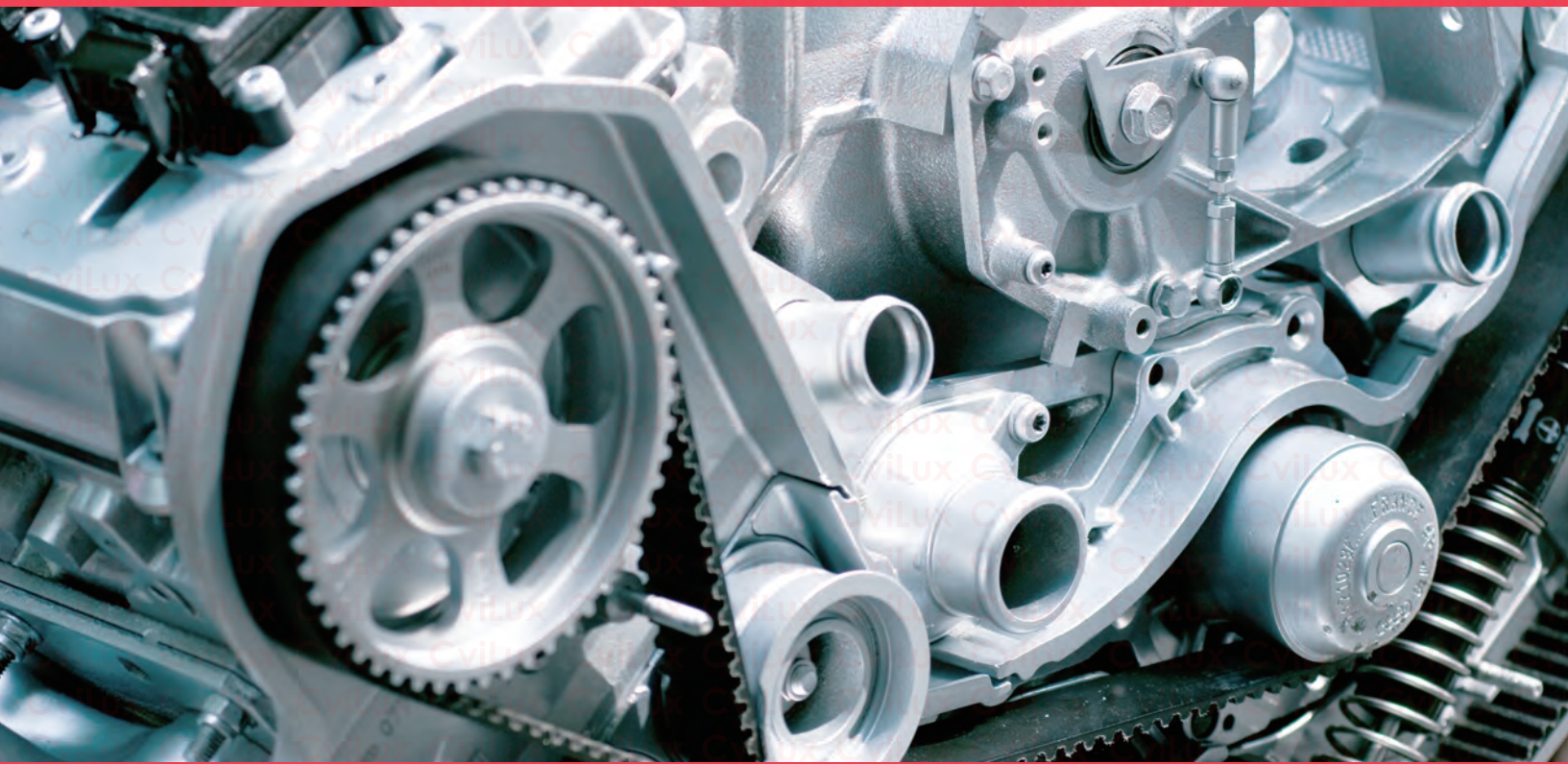


LED Holder

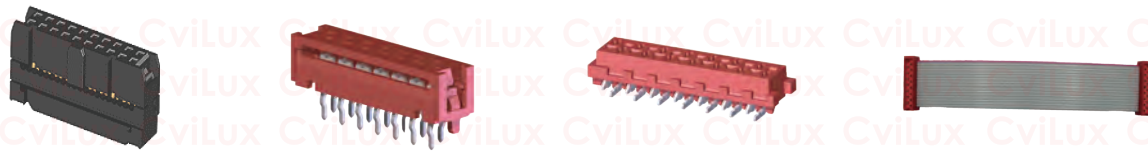


USB Type C Connectors & Cable





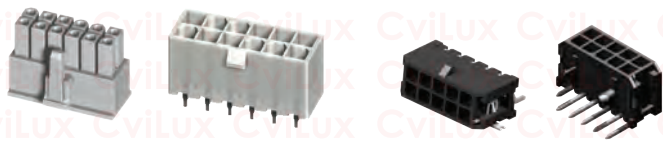
IDC Connectors & Cable



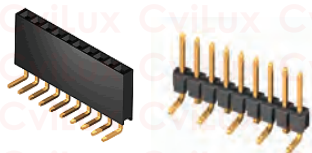
FFC/FPC Connectors & FFC



Power Connectors



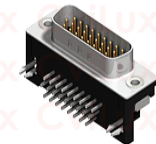
Pin Headers



BTB Connectors



D-SUB



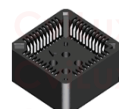
USB Type C Connectors & Cable



USB



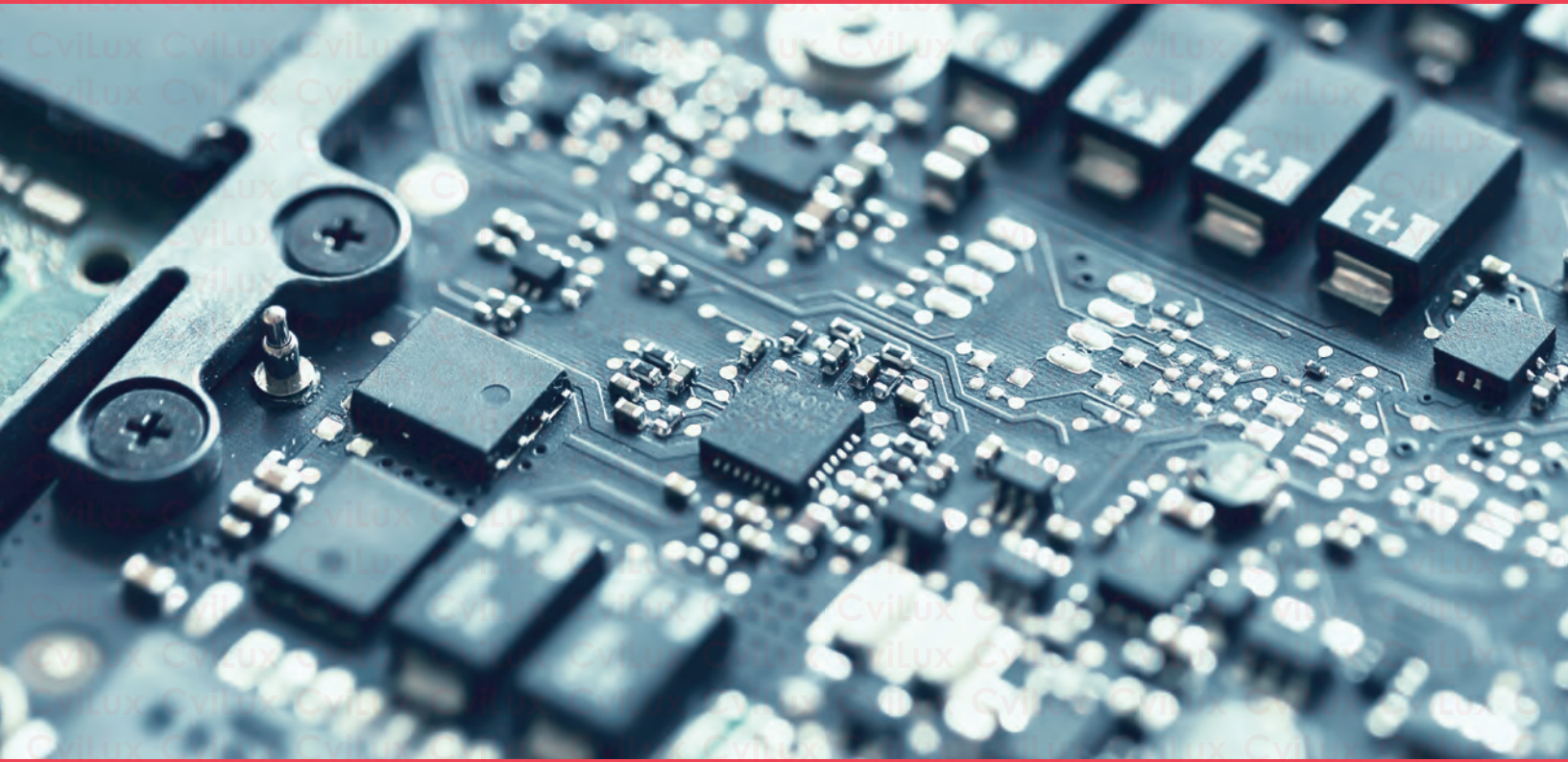
IC socket



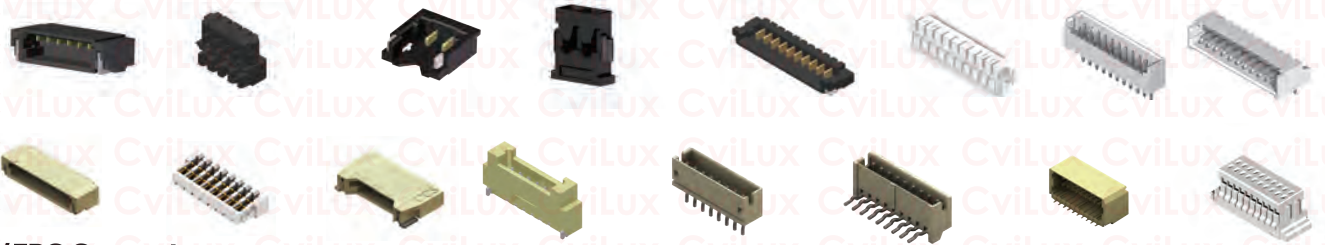
Jumper



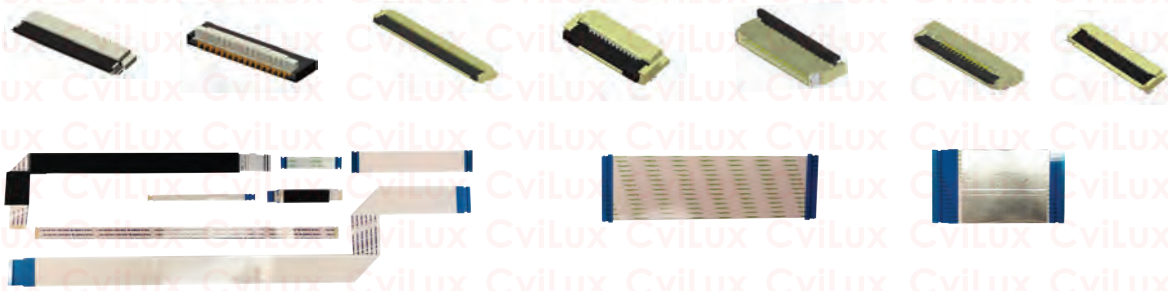
Laptop Industry



Wire to Board Connectors



FFC/FPC Connectors



BTB Connectors



LVDS Connectors



USB Type C Connectors



I/O Connectors





Wire to Board Connectors



FFC/FPC Connectors & FFC



BTB Connectors



I/O Connectors



USB Type C Connectors



USB Type C Cable



PRODUCT CATEGORY



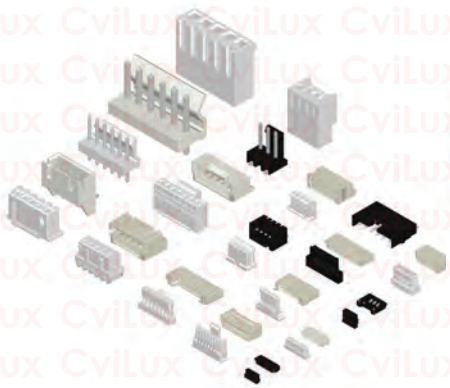
FFC / FPC Connectors



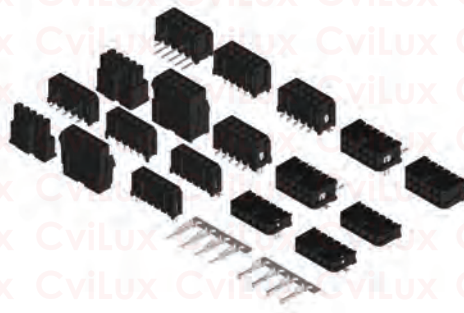
FFC and LVDS Cables



LVDS Connectors



Wire to Board Connectors



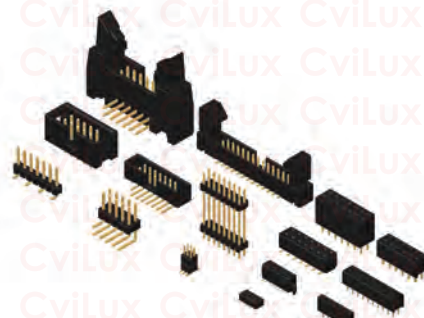
Power Connectors



IDC Connectors



Board to Board Connectors



Pin Headers



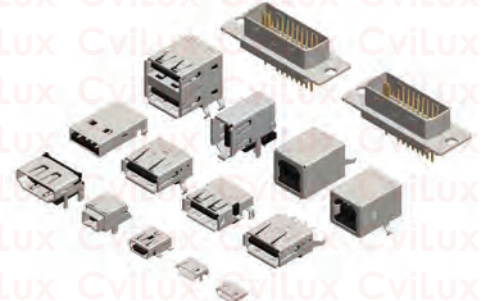
Socket Connectors



**D-SUB and
Combo D-SUB Connectors**



Modular Jack Connectors



I/O Connectors



USB Type C Connectors



**RF Microwave
Coaxial Connectors & Cable**



Pogo Pin Connectors



**Fiber Optical Connector
& Cable**



PCBA



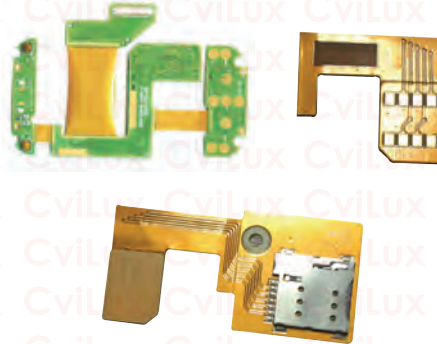
Module

PRODUCT CATEGORY

PI High Temperature Film FFC



Cable with PCBA Assemblies



IDC Cable Assemblies



Type C Cable & Adapter



Lightning Cable



HDMI AOC Cable



STATEMENT OF ENVIRONMENTAL FRIENDLY POLICY

As members of global community, we should all be aware of limited resource consumption and increasing pollution's impact to earth. Our next generation and living animals could live in a dangerous environment without our efforts. Because of this, CviLux Corporation commits to provide environmental friendly products to its clients by using less energy and efficient production. CviLux spirit is to preach such green mind to all the employees and partners who are working closely with us.

Definition:

RoHS Compliant and Lead Free Soldering Process

This letter is released to explain the difference between RoHS compliant and Lead Free Soldering Process. These terms confused R&D designers a lot when they need to select right components and processes for their designs. With this letter, we hope to minimize the confusion and clarify these terms to any one who is interested in this topic.

- RoHS compliant: Indicates raw material of product contained forbidden material within the limitation defined by RoHS directive 2011/65/EU & 2015/863/EU.

- Lead Free Soldering Process: Indicates products themselves can stand specific soldering profile such as J-STD-020C/D or SS-00254.

Currently, there are still no fixed lead free soldering process can be adopted to all kinds of components. For SMT components, the most widely used norms are J-STD-020C/D and SS-00254. As for THT components, JESD22-B106C is the most popular one. CviLux has already set these norms as the standard processes to follow. The details of related soldering temperature of above norms can be found in CviLux product specifications.

Besides, there is still one important concept- It is not a must for RoHS compliant components to adapt Lead Free soldering process. In some cases, it is possible that components are RoHS compliant but not available for lead free soldering process. On the contrary, components available for lead free soldering process are always RoHS compliant. One obvious example is that when cable assemblies can meet RoHS standard, it refers to that the raw materials are environmental friendly only but nothing related to lead free soldering process. PCB components apply the same to the above.

Halogen Free

Halogens are 5 non-metallic elements in group VIIA of the periodic table Fluorine, Chlorine, Bromine, Iodine, Astatine.

Halogens exists, at room temperature, in all three status, Solid (Iodine, Astatine), Liquid (Bromine) and Gas (Fluorine, Chlorine). Currently, only 2 of these 5 elements are normative by IEC, which are Cl and Br.

Why does Halogen Free become new challenges to connector manufacturers? Because the common used connector raw materials like PA66 and PBT are without fire resistance characteristic originally, to strengthen fire resistance characteristic in connector raw materials, Brominated Flame Retardants are used as additive.

However, with more and more emphasis on the importance of Halogen Free products, the use of Brominated Flame Retardants becomes more and more difficult and is restricted by content. To adapt this world wide trend, CviLux has had set its standard of Halogens Free policy according to IEC 61249-2-21 and produce the products since Jan. 2008.

- 900 ppm maximum Cl.
- 900 ppm maximum Br.
- 1500 ppm total Halogens.

Meanwhile, as the research of alternative materials/solutions for better performance plastics is progressing, CviLux will take part in this trend and provide its customers with latest technical support.

Requirement for install

© Android 7.0 above, iOS 9 above.

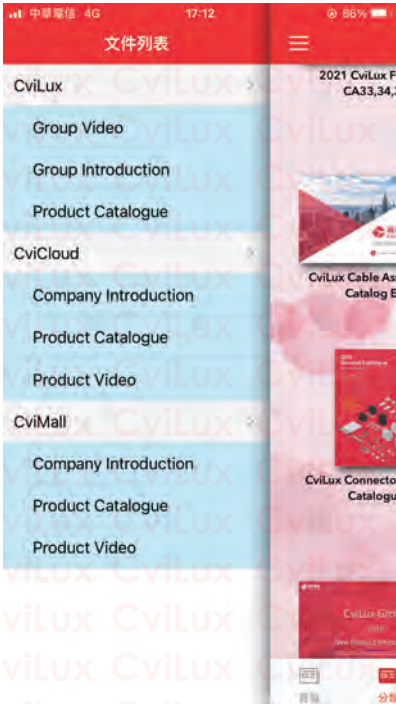
Step 1. iOS/Google Play Key Word Search: CVILUX



Step 3. General Catalogue



Step 2. Download E- Catalogue on the shelf



RoHS Compliant : RoHS Compliant

: TUV Certified

: UL Certified

: Lead-Free soldering process available

: Halogen-Free

Series	Pitch(mm/inch)	Description	
A. FFC / FPC Connectors			
System CF		Construction of Connector	1
		Connection Combinations of Connector and FFC Cable	2
CF58	0.30(.012")	H=0.90 SMT ZIF FFC/FPC Connectors(Back Lock)	4
CF38	0.30(.012")	H=1.00 SMT ZIF One-Touch FFC/FPC Connectors	5
CF30	0.30(.012")	H=1.25 SMT ZIF One-Touch FFC/FPC Connectors	6
CF86	0.50(.020")	H=0.90 ZIF Side Entry SMT Type FFC/FPC Connectors	7
CF42	0.50(.020")	H=0.96 SMT ZIF One-Touch FFC/FPC Connectors (Back Flip)	8
CF35	0.50(.020")	H=0.96 SMT ZIF One-Touch FFC/FPC Connectors	10
CF87	0.50(.020")	H=0.98 ZIF Side Entry SMT Type FFC/FPC Connectors (Back Flip)	13
CF92	0.50(.020")	H=1.22 SMT ZIF One-Touch FFC/FPC Connectors	14
CF55	0.50(.020")	H=1.25 SMT ZIF One-Touch FFC/FPC Connectors	15
CF88	0.50(.020")	H=1.57 ZIF Side Entry SMT Type FFC/FPC Connectors (Back Flip)	16
CF69	0.50(.020")	H=1.75 SMT LIF One-Touch FFC/FPC Connectors	17
CF39	0.50(.020")	SMT One - Touch FFC/FPC Connectors	18
CF75	0.50(.020")	SMT One-Touch FFC/FPC Connectors	19
CF82	0.50(.020")	H=2.00 SMT ZIF One-Touch FFC/FPC Connectors	20
	1.00(.039")	H=2.00 SMT ZIF One-Touch FFC/FPC Connectors	21
CF76	0.50(.020")	H=2.10 SMT LIF FFC/FPC Connectors	22
CF85	0.50(.020")	H=2.20 SMT ZIF One-Touch FFC/FPC Connectors	23
CF90	0.50(.020")	H=2.20 ZIF FFC/FPC Connectors	24
CF50	0.50(.020")	H=1.46 SMT ZIF One-Touch FFC/FPC Connectors	25
	1.00(.039")	H=1.46 SMT ZIF One-Touch FFC/FPC Connectors	28
CF61	0.50(.020")	H=1.75 SMT ZIF One-Touch FFC/FPC Connectors	32
CF31	0.50(.020")	H=1.95 SMT ZIF One-Touch FFC/FPC Connectors	33
	1.00(.039")	H=1.95 SMT ZIF One-Touch FFC/FPC Connectors	34
CF34	0.50(.020")	H=1.95 SMT ZIF One-Touch FFC/FPC Connectors	36
CF25	0.50(.020")	H=2.20 SMT ZIF One-Touch FFC/FPC Connectors	38
	1.00(.039")	H=2.20 SMT ZIF One-Touch FFC/FPC Connectors	40
CF11	0.50(.020")	H=2.70 SMT ZIF One-Touch FFC/FPC Connectors (Back Flip)	42
	1.00(.039")	H=2.70 SMT ZIF One-Touch FFC/FPC Connectors (Back Flip)	43
CF23	0.50(.020")	H=1.20 SMT ZIF FFC/FPC Connectors	45
	1.00(.039")	H=1.20 SMT ZIF FFC/FPC Connectors	46
CF20	0.50(.020")	H=2.00 SMT ZIF FFC/FPC Connectors	47
	0.50(.020")	H=3.90 SMT ZIF Vertical FFC/FPC Connectors	48
	1.00(.039")	H=2.00 SMT ZIF FFC/FPC Connectors	49
CF27	0.50(.020")	H=1.20 SMT LIF FFC/FPC Connectors	50
	1.00(.039")	H=1.20 SMT LIF FFC/FPC Connectors	51
CF24	0.50(.020")	H=4.20 SMT LIF Vertical FFC/FPC Connectors	52
CF95	0.80(.031")	H=1.50 SMT ZIF FFC/FPC Connectors (Back Flip)	53
CF84	0.80(.031")	H=1.57 SMT ZIF FFC/FPC Connectors (Back Flip)	54
CF32	0.80(.031")	H=1.95 SMT ZIF One-Touch FFC/FPC Connectors	55
CF37	0.80(.031")	H=1.95 SMT ZIF One-Touch FFC/FPC Connectors	56
CF07	1.00(.039")	H=2.60 SMT ZIF FFC/FPC Connectors	57
CF08	1.00(.039")	H=2.60/3.55 SMT LIF & SMT LIF Vertical FFC/FPC Connectors	58
CF09	1.00(.039")	H=2.60/5.50 DIP LIF FFC/FPC Connectors	59

CF73	1.00(.039")	H=3.30 SMT ZIF One-Toach FFC-FPC Connectors	60
CF10	1.00(.039")	H=3.80/5.00 DIP ZIF FFC/FPC Connectors	61
		H=5.20 SMT ZIF FFC/FPC Connectors	62
CF16	1.00(.039")	H=3.80/5.00 DIP LIF FFC/FPC Connectors	63
		H=3.80/5.20 SMT LIF FFC/FPC Connectors	64
CF12	1.25(.049")	H=4.00/6.80 DIP LIF FFC/FPC Connectors	65
B. Flat Flexible Cables & LVDS FFC Cables			
System FFC	Introduction		66
		Features & Applications & Connections	67
		Ordering Code & Terminal Types table	68
		Shape, Construction and Dimensions	69
		Feature & Caution	70
		Performance	71
CFF / CFE		Flat Flexible Cable Assemblies - LVDS FFC Cable	72
FFCA	2.54(.100")	Flat Flexible Cable Assemblies	73
C. LVDS Connectors			
CVS1	0.50(.020")	LVDS H=3.70 Socket Connectors for TV	74
CVS3	0.50(.020")	LVDS M/H=2.00 Socket Connectors for Notebook	75
CVS5	0.50(.020")	LVDS M/H=4.00 Socket Connectors for Notebook	76
CVSC	1.00(.039")	LVDS H=2.35 Socket Connectors for TV/Monitor	77
CVS7	0.50(.020")	LVDS M/H=1.05 Socket Connectors	79
D. Wire to Board Connectors			
System CI		Connection Combination of Wire to Board Connectors	80
CI20	0.60(.024")	Wire to Board Connectors Housing & SMT Headers	81
CI18	0.80(.031")	Wire to Board Connectors Housing & SMT Headers	82
CI11	1.00(.039")	Single Row Wire to Board Connectors Housing & Terminal	83
		Single Row Wire to Board Connectors SMT Headers	84
		Dual Row Wire to Board Connectors Housing & Terminal	85
		Dual Row Wire to Board Connectors SMT Headers	86
CI16	1.00(.039")	Wire to Board Connectors Housing & Terminal	87
		Wire to Board Connectors SMT Headers	88
CI14	1.00(.039")	Wire to Board Connectors Housing & Terminal	89
		Wire to Board Connectors SMT Side Entry Headers	90
		Wire to Board Connectors Housing & SMT Side/Top Entry Headers	91
CI63	1.20(.048")	Wire to Board Connectors Housing & Terminal & SMT Headers	94
	1.20(.048")	Wire to Board SMT Headers	95
CI40	1.25(.049")	Wire to Board Housing & Terminal	96
		Wire to Board SMT Headers	97
CI42	1.25(.049")	Wire to Board Housing & Terminal	98
	1.25(.049")	Wire to Board SMT Header	99
CI43	1.25(.049")	Wire to Board Connectors Housing & Terminal & SMT Headers	100
CI44	1.25(.049")	Wire to Board Connectors Housing & Terminal	101
		Wire to Board Connectors DIP Headers	102
		Wire to Board Connectors SMT Headers	103
CI45	1.25(.049")	Wire to Board Connectors Housing & SMT Headers	104
CI46	1.25(.049")	Wire to Board Connectors Housing & Terminal	105
		Wire to Board Connectors SMT Headers	106
CIDL	1.25(.049")	Wire to Board Connectors	107
CI15	1.50(.059")	Wire to Board Connectors Housing & Terminal	108
		Wire to Board Connectors DIP & SMT Headers	109

		Wire to Board Latch Type Housing & SMT Headers	110
CI19	1.50(.059")	Wire to Board Connectors Housing & Terminal	112
		Wire to Board Connectors SMT Headers	113
CI87	1.50(.059")	Wire to Board Connectors Housing & Terminal & SMT Headers	114
CIDW	1.50(.059")	Single Row Wire to Board Housing & Terminal	115
		Wire to Board Connectors SMT Headers	116
CIEJ	1.50(.059")	Single Row Wire to Board Housing & Terminal	117
		Single Row Wire to Board SMT Headers	118
CI07	1.80(.071")	Wire to Board Connectors Housing & Terminal	119
		Wire to Board Connectors SMT Headers	120
CI01	2.00(.079")	Single Row Wire to Board IDC Housing & Terminal	121
		Single Row Wire to Board Connectors DIP & SMT Headers	123
		Single Row Wire to Board Latch Type Housing & SMT Header	124
		Dual Row Wire to Board Connectors Housing & Terminal	126
		Dual Row Wire to Board Connectors DIP Headers	127
CI02	2.00(.079")	Board In Connectors	128
CI06	2.00(.079")	Wire to Board Connectors Housing & Terminal	129
		Wire to Board Connectors DIP & SMT Headers	130
CI08	2.00(.079")	Wire to Board Connectors SMT & DIP Headers	131
CI10	2.00(.079")	Wire to Board Connectors SMT Headers	132
CIDX	2.00(.079")	Single Row Wire to Board Housing & Terminal	135
		Wire to Board Connectors SMT Headers	136
CIDY	2.00(.079")	Single Row Wire to Board Housing & Terminal	137
		Wire to Board Connectors DIP Headers	138
CID9	2.00(.079")	Single Row Wire to Board Housing & Terminal	139
		Single Row Wire to Board SMT Headers	140
CIEG	2.00(.079")	Single Row Wire to Board Housing & Terminal	141
CIE4	2.00(.079")	Daul Row Wire to Board to Board DIP Headers	143
CI21	2.50(.098")	Wire to Board Connectors Housing & Terminal	144
		Wire to Board Connectors DIP Headers	145
CI22	2.50(.098")	Wire to Board IDC Connectors Housing & Terminal	146
		Wire to Board IDC Connectors Housing & IDC Cable	147
		Wire to Board IDC Connectors Connectors DIP Header	148
CI23	2.50(.098")	Wire to Board Connectors Housing & Terminal	149
		Wire to Board Connectors DIP Headers	150
CI25	2.50(.098")	Wire to Board Connectors Housing & Terminal	151
		Wire to Board Connectors DIP Headers	152
CI26	2.50(.098")	Board In Connectors	153
CI27	2.50(.098")	Board In Connectors	154
CI30	2.50(.098")	Wire to Board Connectors DIP Header	155
CI60	2.50(.098")	Wire to Board Connectors DIP Header & Housing & Terminal	156
CIL4	2.50(.098")	Wire to Board Connectors SMT Headers	157
CI31	2.54(.100")	Wire to Board Connectors Housing & Terminal	158
		Wire to Board Connectors DIP Headers	159
CI32	2.54(.100")	Wire to Board Connectors Housing & Terminal	160
CI34	2.54(.100")	Dual Row Wire to Board Connectors Housing	161
CI33	2.54(.100")	Single Row Wire to Board Connectors Housing	162
		Single Row Wire to Board Connectors DIP Headers	163
		Dual Row Wire to Board Connectors Connectors	164
		Dual Row Wire to Board Connectors	165

CI35	2.54(.100")	Wire to Board Connectors	166
CI39	2.54(.100")	Wire to Board Connectors SMT Headers	167
CI83	2.54(.100")	Friction Lock Breakaway Headers	168
CID2	2.54(.100")	IDC type Connectors	169
CID7	2.54(.100")	Wire to Board Housing/Terminal/Straight Headers	170
CIL1	3.50(.138")	Board to Board connectors	171
CI51	3.96(.156")	Wire to Board Connectors Housing & Terminal	173
		Wire to Board Connectors DIP Headers	174
CI52	3.96(.156")	Wire to Board Connectors Housing & Terminal	175
		Wire to Board Connectors DIP Headers	176
	7.92(.312")	Wire to Board Connectors DIP Headers	177
CI82	3.96(.156")	Friction Lock Breakaway Headers	178
CI77 /CI78	3.96(.156")	Breakaway Pin Headers	179
CID1	4.00(.157")	Wire to Board Connectors SMT Header	180
CI55	5.08(.200")	Wire to Board Connectors	181
E. Power Connectors			
System CP		Connection Combination of Power Connectors	182
CP75	1.50(.059)	Board to Board Receptacle Connector	183
		Board to Board Plug Connector	184
CP14	1.50(.059")	Single Row Side Entry SMT Headers	185
CP15	1.50(.059")	SMT Headers	186
CPB1		Waterproof Connectors	189
CPB2	2.00(.079")	Waterproof Connectors	190
CP06	2.50(.098")	Receptacle Connectors	193
	2.50(.098")	Plug Connectors	194
CP25	2.50(.098")	Receptacle Connectors	195
CP35	3.00(.118")	Single Row Housing Connectors	196
		Single Row Board Mount Headers	197
		Single Row Side Entry SMT Headers	198
		Single Row Top Entry SMT Headers	200
		Dual Row Receptacle Connectors	201
		Dual Row Plug Connectors	202
		Dual Row Board Mount Headers	203
		Dual Row Side Entry SMT Headers	204
		Dual Row Top Entry SMT Headers	206
CP-01	4.20(.165")	Power Connectors	207
CP-011	4.20(.165")	Receptacle Connectors	208
		Blind Mating Panel Mount Receptacle Connectors	209
		Receptacle Board Mount Connectors	210
		Assembly Power Connectors	211
CP-012	4.20(.165")	Plug Connectors	212
CP-013	4.20(.165")	Straight DIP Solder Headers	213
CP-014	4.20(.165")	Right Angle DIP Solder Headers	216
CP32	5.08(.200")	Power Connectors	219
CP33	5.08(.200")	IDC & Board Mount Receptacle Power Connectors	220
CP60	5.70(.224")	Dual Row Receptacle & Header	221
CP08	6.35(.250")	Single Row Power Connector	223
F. IDC Connectors			
System CA		Connection Combination of IDC Connectors	227
CA30	1.27(.050")	Male IDC & DIP Type Connectors	228

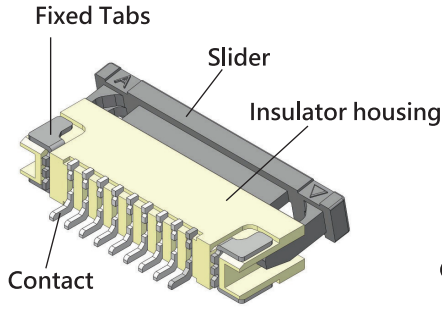
	1.27(.050")	Male IDC SMT Type Connectors	229
CA31	1.27(.050")	Flat Cable - IDC DIP Plugs	230
CA30&CA31		Flat Cable Assemblies	231
CA32	1.27(.050")	Female DIP Type Connectors	232
	1.27(.050")	Female SMT Type Connectors	233
CA33	1.27(.050")	IDC & Crimping Type Connectors	234
CM19		Pull-off tongs for CA33	235
CA34	1.27(.050")	Flat Cable - IDC DIP Plugs	236
CA35	1.27(.050")	Male DIP Type Connectors	237
	1.27(.050")	Male SMT Type Connectors	238
	1.27(.050")	Female DIP Type Connectors	239
CW03	1.27(.050")	Flat Ribbon Cable	240
CA11	2.00(.079")	Center Spacing Flat Cable - IDC Sockets	241
CA21	2.54(.100")	Center Spacing Flat Cable - IDC Sockets	242
CA23	2.54(.100")	Center Spacing Flat Cable - IDC DIP Plugs	243
G. Board To Board Connectors			
System CB		Connection Combination of Board To Board Connectors	244
		Board To Board Connectors Selection Index	245
CBRH	0.40(.016")	Board to Board Connectors	248
CBRQ	0.40(.016")	Board to Board Connectors	249
CBRB	0.50(.020")	Board To Board Connectors	250
CBRC	0.50(.020")	Board To Board Connectors	252
CBRE	0.50(.020")	Board To Board Connectors	254
CBRD	0.80(.031")	Board To Board Connectors	256
CBC3	0.80(.031")	Dual Row Female Headers	258
CB03	1.00(.039")	SMT Type Single Row Pin Headers	259
CB12	1.00(.039")	Dual Row Female Headers	259
CB01	1.27(.050")	Single Row Female Headers	260
CB50	1.27(.050")	Dual Row Female Headers	261
CBC1	1.27(.050")	Dual Row Female Headers	262
CB22	2.00(.079")	Single Row Female Headers	264
CB74	2.00(.079")	Dual Row Female Headers	265
CB76	2.00(.079")	Dual Row Female Headers	266
CB33	2.54(.100")	Single Row Dual Entry Female Headers	267
CB37	2.54(.100")	Single Row Female Headers	267
CB39	2.54(.100")	Single Row Female Headers	268
CB41	2.54(.100")	Dual Row Female Headers	269
CB83	2.54(.100")	Dual Row Female Headers	270
CB85	2.54(.100")	Dual Row Female Headers	270
CB96	2.54(.100")	Dual Row Elevated Female Headers	271
CB91	2.54(.100")	Dual Row Female Headers	272
CB94	2.54(.100")	Dual Row Female Headers	273
CB97	2.54(.100")	Dual Row Side Entry Female Headers	274
CBA7	2.00(.079")	Dual Row Female Headers	274
CGB1		Pogo Pin Connectors	275
H. Pin Header Connectors			
CHC3	0.80(.031")	Dual Row SMT Pin Headers	277
CH07	1.00(.039")	Single Row Board Mount Connectors	278
CH16	1.00(.039")	Dual Row Pin Headers	278
CH01	1.27(.050")	Single Row Pin Headers	279

CH02	1.27(.050")	Single Row Pin Headers	280
CH03	1.27(.050")	Single Row Dual Bodies Pin Headers	281
CH06	1.27(.050")	Straight SMT Dual Row Shrouded Headers	282
CH51	1.27(.050")	Dual Row Pin Headers	283
CH52	1.27(.050")	Dual Row Pin Headers	285
CH57	1.27(.050")	Dual Row Dual Bodies Pin Headers	287
CHC2	1.27(.050")	Dual Row Pin Headers	288
CH60	1.27*1.27mm	Right Angle Dual row board mount pin header	291
CH11	2.00(.079")	Single Row SMT Pin Headers	292
CH21	2.00(.079")	Single Row Dual Bodies Pin Headers	294
CH70	2.00(.079")	Straight SMT Dual Row Shrouded Headers	295
CH71	2.00(.079")	Dual Row SMT Pin Headers	295
	2.00(.079")	Dual Row Pin Headers	296
CH72	2.00(.079")	Dual Row Pin Headers	297
CH74	2.00(.079")	Dual Row Pin Headers	298
CH75	2.00(.079")	Dual Row Dual Bodies Pin Headers	299
CH79	2.00(.079")	Dual Row Pin Headers	300
CH34	2.54(.100")	Single Row Dual Bodies Pin Headers	302
CH31	2.54(.100")	Single Row Pin Headers	303
CH81	2.54(.100")	Dual Row SMT & DIP Pin Headers	305
CH85	2.54(.100")	Dual Row Dual Bodies Pin Headers	306
CH87	2.54(.100")	Box Headers	307
CH88	2.54(.100")	Shrouded Box Headers	308
I. Sockets			
CS76	0.50(.020")	NGFF Connectors	309
CS59	0.80(.031")	Mini PCI 4.0H/2.1H 52pin Connectors	310
CS21	1.27(.050")	DIP PLCC Chip Carrier Socket	311
CS22	1.27(.050")	SMT PLCC Chip Carrier Socket	313
CS78	1.27(.050")	Board to Board Right Angle DIP Connector	314
CS01	2.54(.100")	Dual Row Multiple Shunts	315
CS07	2.54(.100")	DIP Socket - Machined contacts	316
CS09	2.54(.100")	Single in Line Adapter Strip	317
CS10	2.54(.100")	Single in Line SIP Socket	317
CS74		PCI Express Edge Card Connector	318
CSM1		H=3.3mm/1.5mm Dual Type SIM Card Connectors	319
CSM2		Micro SIM Card Connectors	320
J. D-SUB Connectors			
		D-Sub Shell Size & Printed Circuits Board Hole Patterns	321
		High density D-Sub Straight / Right Angle DIP solder PCB hole patterns	322
		D-Sub Accessories & PCB Mounting Options	323
CD01		High Density Solder D-Sub	324
CD03		High Density Straight DIP Solder D-Sub	325
CD05		High Density Right Angle DIP Solder D-Sub	326
CD51		Solder D-Sub	327
CD52		Crimp Clip D-Sub & Terminal	328
CD53		Straight DIP Solder D-Sub	330
CD61		8.10mm Footprint Right Angle DIP Solder D-Sub	331
CD62		8.10mm Footprint EMI Right Angle DIP Solder D-Sub	332
CD91		Flat Cable - IDC D-Sub	333
CD81		Stacked Right Angle DIP Solder D-Sub	334

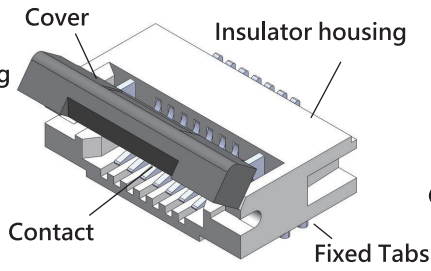
CD71	Machined Contact Solder Cup D-Sub	336
CD72	Machined Contact Straight DIP Solder D-Sub	338
CD73	8.10mm Footprint Right Angle DIP solder D-Sub	340
COMBO D-SUB	Combo D-sub Technical Specifications	342
	Contact Arrangements/ Mounting Style options	343
	Coaxial Contact for Combination D-Sub	344
	High Power Contact for Combination D-Sub	345
	Combination D-Sub Housing	347
	Coaxial Straight DIP Combination D-Sub	350
	Coaxial Right Angle DIP Combination D-Sub	353
	20A High Power Straight DIP Solder Combination D-Sub	356
	40A High Power Straight DIP Solder Combination D-Sub	359
	20A High Power Right Angle DIP Solder Combination D-Sub	362
40A High Power Right Angle DIP Solder Combination D-Sub	365	
K. Telephone / Modular Jack Connectors		
CJ04	Board Mount Telephone Jacks	368
CJ07	Board Mount Telephone Jacks	369
CJ36	Board Mount Telephone Jacks	369
CJ31	Board Mount Telephone Jacks	370
CJ46	Board Mount Telephone Jacks	372
CJ47	Board Mount Telephone Jacks	372
CJ58	Board Mount Telephone Jacks	372
CJ48	Board Mount Telephone Jacks	373
CJ59	Board Mount Telephone Jacks	374
CJ91	Board Mount Telephone Jacks	375
CJ97	Board Mount Telephone Jacks	376
CJP1	Telephone Modular Plugs	378
CJP2	Telephone Modular Plugs	379
CJB1	Telephone Modular Jack RJ45	380
CJCJ	Telephone Modular Jack RJ45	381
L. I/O Connectors		
CU01	USB 2.0 Type-A Board Mount Receptacle and SMT Plug Connectors	382
	USB 2.0 Type-A Receptacle Connectors	383
CU02	USB 2.0 Type-B Receptacle Connectors	384
CU04	Mini USB2.0 5 Circuits Receptacle SMT/DIP Connectors	385
CU09	Micro USB 2.0 Connectors	386
CU05	IEEE 1394 Shielded I/O Receptacle Connectors	387
CU11	HDMI Receptacle Connectors	388
USB-C	USB TYPE C Technical Specifications	389
CU30	USB3.1 Tpye C Plug SMT Type Connectors	391
CU31	USB Tpye C Socket SMT Type Connectors	398
CU32	USB2.0 Tpye C Female SMT Type Connector	400
CU33	USB2.0 Tpye C Female Vertical Type Connectors	411
	USB2.0 Tpye C Plug SMT Type Connectors	414
CU34	USB2.0 Tpye C SMT Type Connectors	415
CU35	USB2.0 Type C Female Connectors	416
CU39	USB2.0 Type C Female Connectors	417
M. RF / Microwave Coaxial Connectors		
CRA	Micro Coaxial Connectors & Cable	420

Construction of Connector

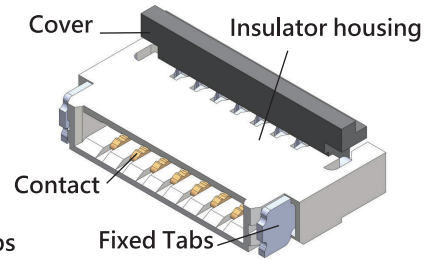
◎ Zero Insertion Force Type (ZIF)



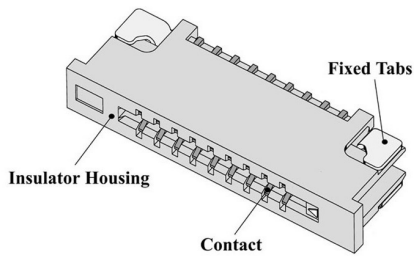
Slider Type



Front Flip actuator

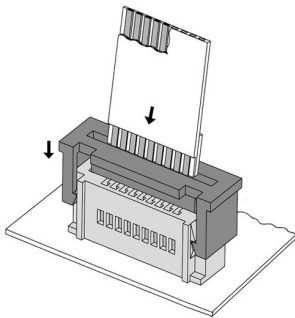


Back Flip actuator

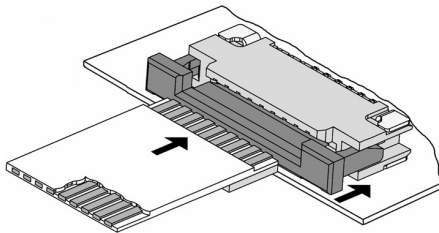


◎ Low Insertion Force Type (LIF)

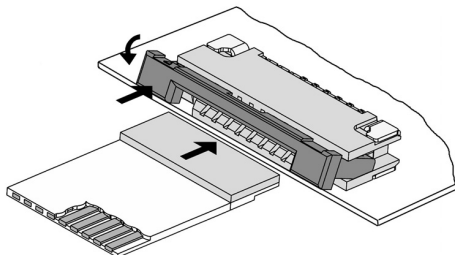
Applications



◎ Top Entry

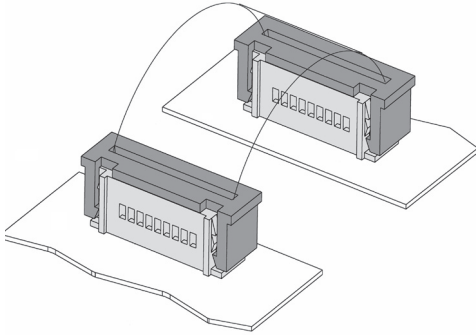


◎ Side Entry to Upside Contact Connector



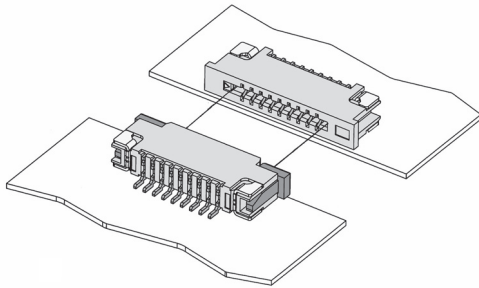
◎ Side Entry to Downside Contact Connector

Connection Combinations of Connector and FFC Cable



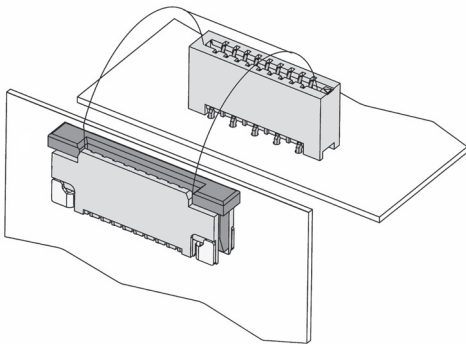
Both Ends with Zero Insertion Force Type Connector

⊙ Top Entry to Top Entry



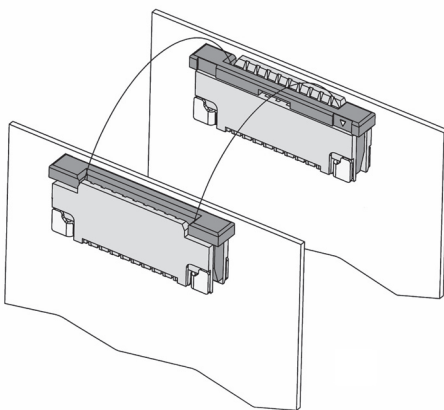
Low Insertion Force Connector to Zero Insertion Force Connector

⊙ Side Entry to Side Entry



Low Insertion Force Connector to Zero Insertion Force Connector

⊙ Top Entry to Side Entry

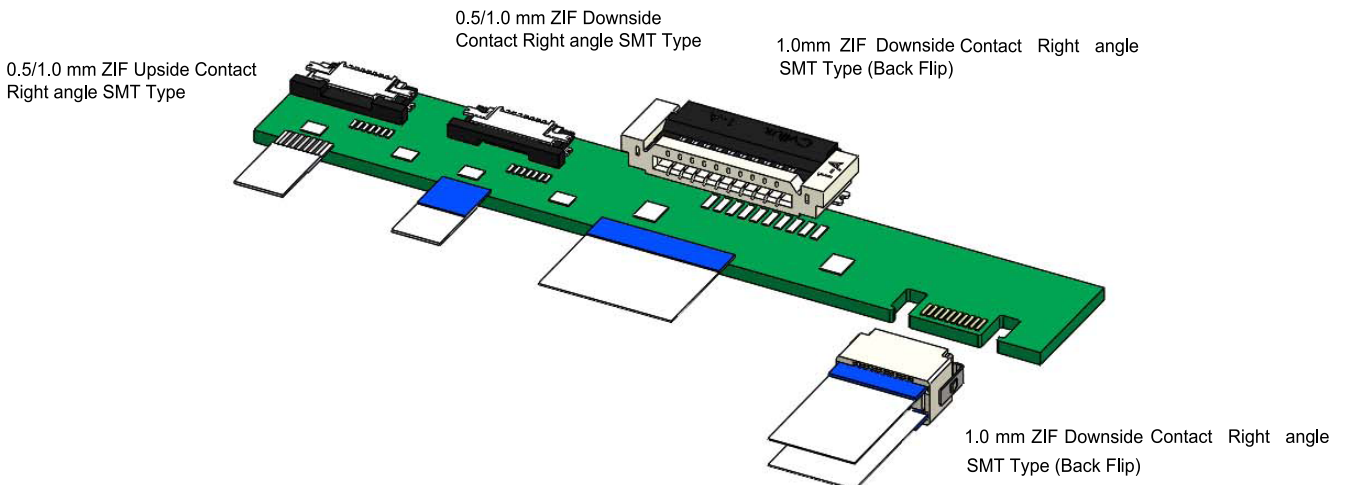
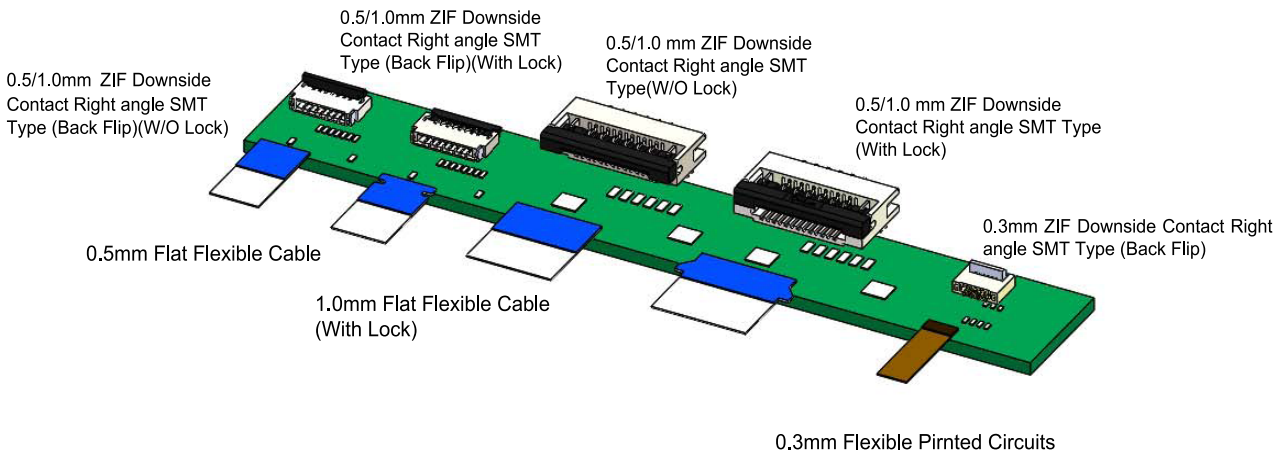
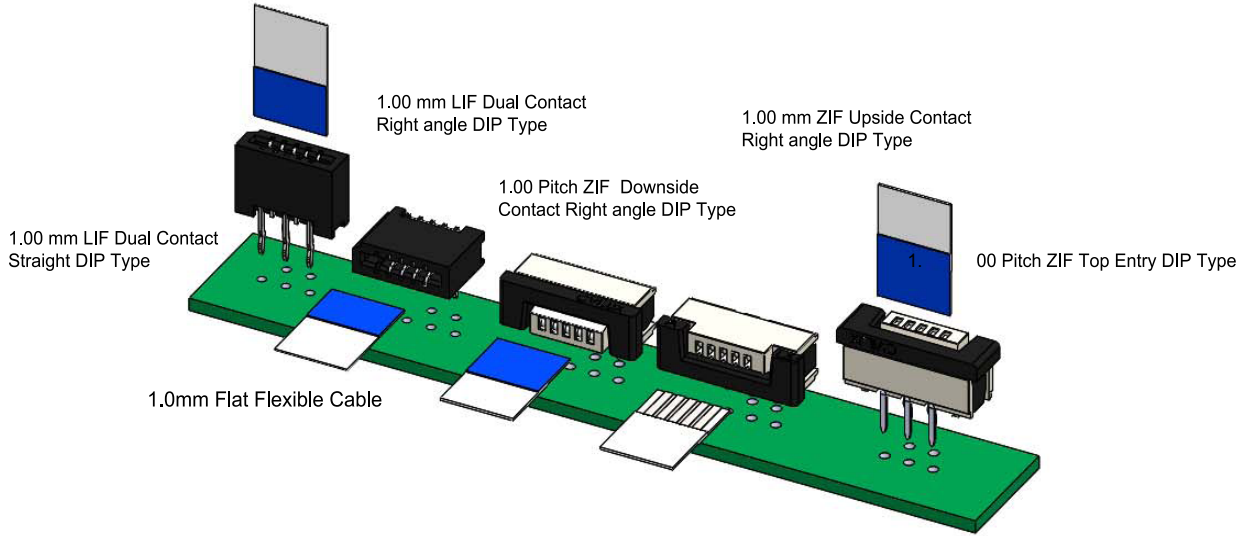


Both Ends with Zero Insertion Force Connector

⊙ Side Entry to Side Entry

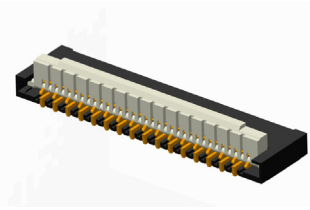
Connection Combinations of Connector and FFC Cable

CF

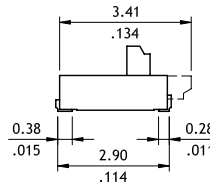
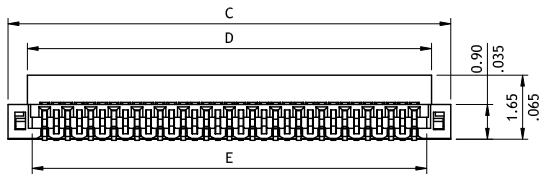
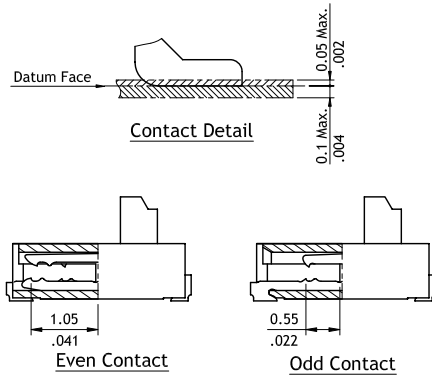
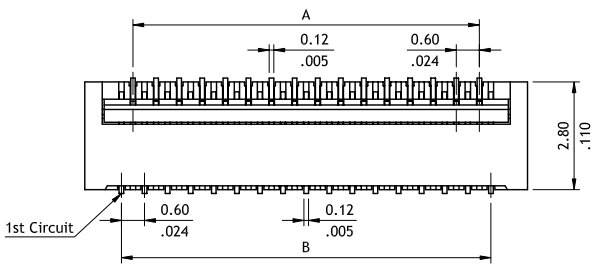


CF58 Series 0.30mm(.012")H=0.90 SMT ZIF FFC/FPC Connectors (Back Flip actuator)

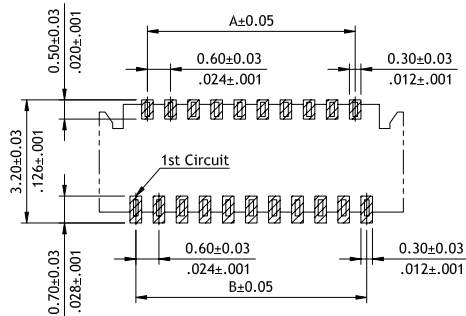
- ⊙ 0.90mm above the board
- ⊙ Insulation: High temperature plastic UL 94V-0, Color Black
- ⊙ Cover: High temperature plastic UL 94V-0, Color Brown
- ⊙ Designed easy for FPC installation and reliable operation



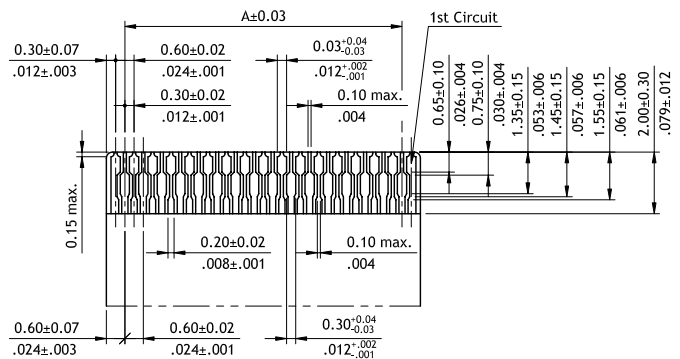
RoHS Compliant 



- A = 0.3 * No. of Spaces
- B = A + 0.6
- C = A + 2.5
- D = A + 1.5
- E = A + 1.25



Recommended P.C Board Layout



Recommended FPC Dimension
Thickness: 0.2±0.03mm

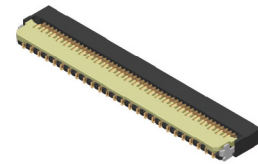
Ordering Code

① ② ③ ④ ⑤ ⑥ ⑦ ⑧
CF58 61 F H 1 R A - NH

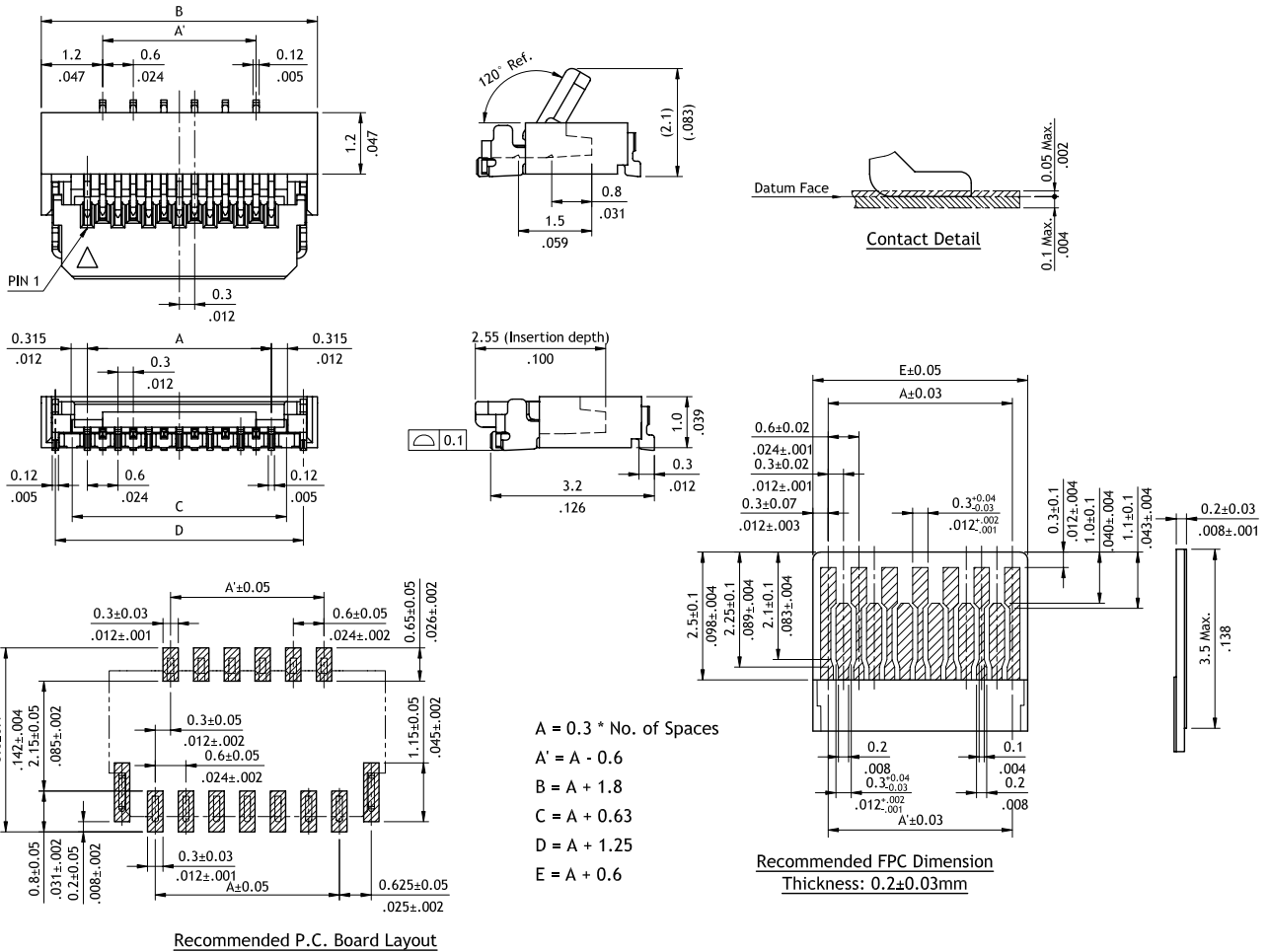
- ① Series No.
- ② No. of Circuits: 07 ~ 61 (Available: 7, 11, 23, 25, 51, 61) *Circuits not found above please consult manufacturer*
- ③ Plating Code: F = Selective Gold flash over Nickel
- ④ Contact Style : H = Side Entry
- ⑤ Color: 1 = Black
- ⑥ Packing : R = Tape & Reel
- ⑦ Other Options: 0 = Standard (Only for 7pin) A = Standard *Special option consult manufacturer
- ⑧ NH = For Lead Free IR process and Halogen-Free

CF38 Series 0.30mm(.012") H=1.00 SMT ZIF FFC/FPC Connectors (Front Flip actuator)

- ⊙ 1.0mm above the board
- ⊙ FPC zero insertion force and high retention force
- ⊙ Insulator: High temperature plastic UL 94V-0, Color Black
- ⊙ Cover: High temperature plastic UL 94V-0, Color Nature
- ⊙ Designed easy for FPC installation and reliable operation
- ⊙ With metal fixed tabs to secure connector in place



RoHS Compliant



Ordering Code

① ② ③ ④ ⑤ ⑥ ⑦
CF38 39 2 D 1 R0 - NH

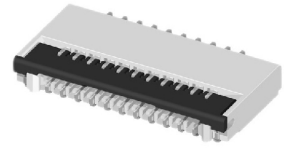
- ① Series No.
- ② No. of Circuits: 13 ~ 71
(Available: 13, 15, 21, 23, 25, 31, 35, 39, 41, 45, 51, 57, 61, 71)
Circuits not found above please consult manufacturer

- ③ Plating Code: 2 = Gold flash over Nickel
- ④ Contact Style: D = Downside Contact
- ⑤ Color: 1 = Black
- ⑥ Packing: R0= Tape & Reel
- ⑦ NH = For Lead Free IR process and Halogen-Free

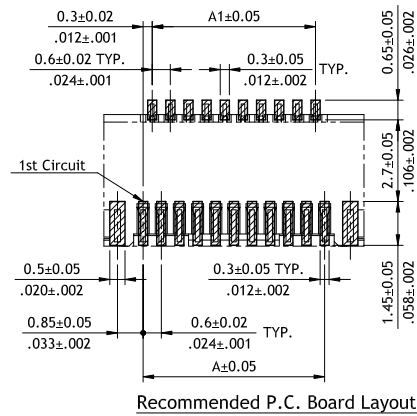
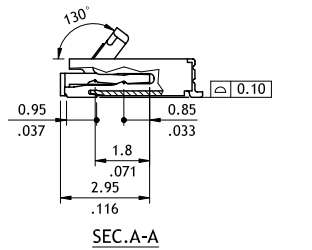
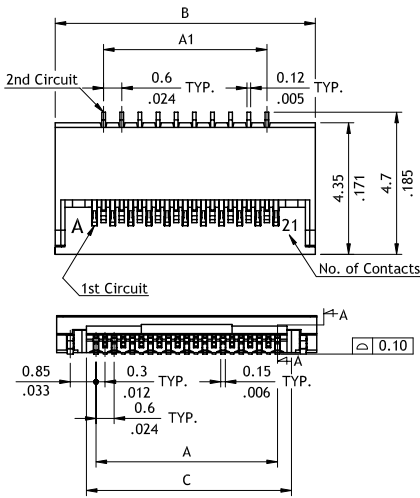
CF30 Series 0.30mm(.012")H=1.25 SMT ZIF One-Touch FFC/FPC Connectors

- Ⓞ 1.25mm above the board
- Ⓞ FPC zero insertion force and high retention force
- Ⓞ Insulator: High temperature plastic UL 94V-0, Color Nature
- Ⓞ Cover: High temperature plastic UL 94V-0, Color Black
- Ⓞ Designed easy for FPC installation and reliable operation
- Ⓞ With metal fixed tabs to secure connector in place
- Ⓞ Accepts 0.2mm thickness FPC

RoHS Compliant 

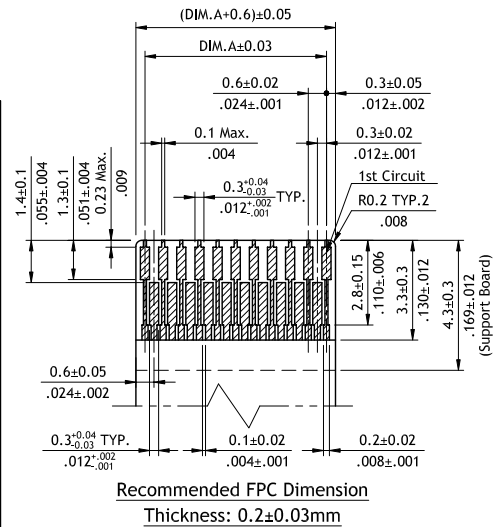
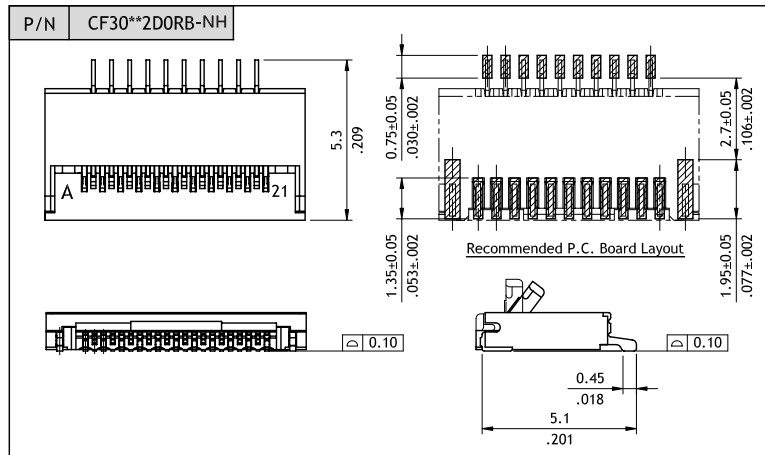


P/N CF30**2D0RA-NH



A = 0.3 * (No. of Contacts - 1)
 A1 = A - 0.6
 B = A + 2.6
 C = A + 0.63

P/N CF30**2D0RB-NH



Ordering Code

① ② ③ ④ ⑤ ⑥ ⑦ ⑧
CF 30 4 5 2 D 0 R A - NH

- ① Series No.
- ② No. of Circuits: 11 ~ 45
(Available: 11,21,25,31,35,37, 39,41,45)
Circuits not found above please consult manufacturer

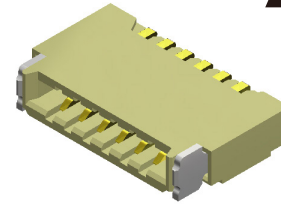
- ③ Plating Code:
2 = Gold flash over Nickel
- ④ Contact Style:
D = Downside Contact
- ⑤ Color: 0 = Nature
- ⑥ Packing: R = Tape & Reel

- ⑦ Other Options:
A = Lead-Less Type
B = Lead Type
* Special options consult manufacturer
- ⑧ NH = For Lead Free IR process and Halogen-Free

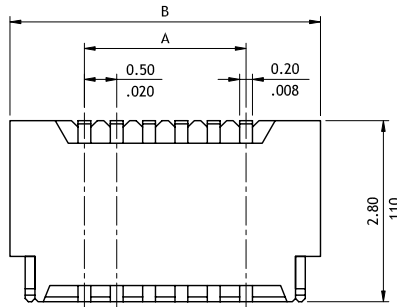
CF86 Series 0.5mm(.020") H=0.90 SMT ZIF FFC/FPC Connectors

- ⊙ 0.9mm above the board
- ⊙ Body : LCP With 30% G.F 94V-0 Color Nature
- ⊙ Contact : Copper alloy

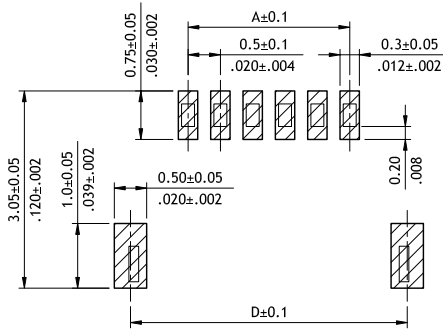
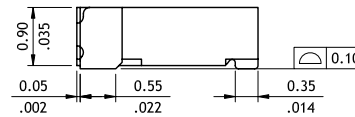
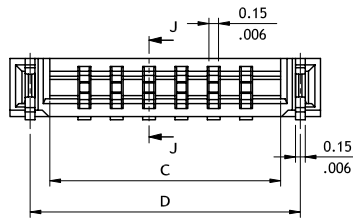
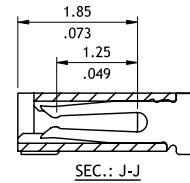
NEW



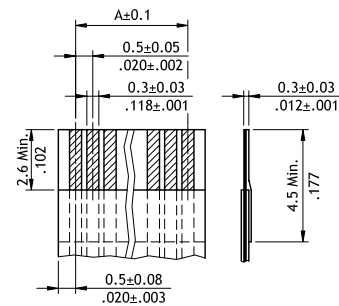
RoHS Compliant



A = 0.50 x No. of Spaces
 B = A + 2.3
 C = A + 1.07
 D = A + 1.68



Recommended P.C Board Layout



Accommodated FFC

Ordering Code

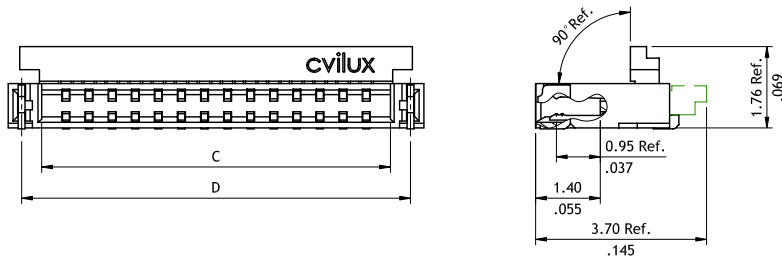
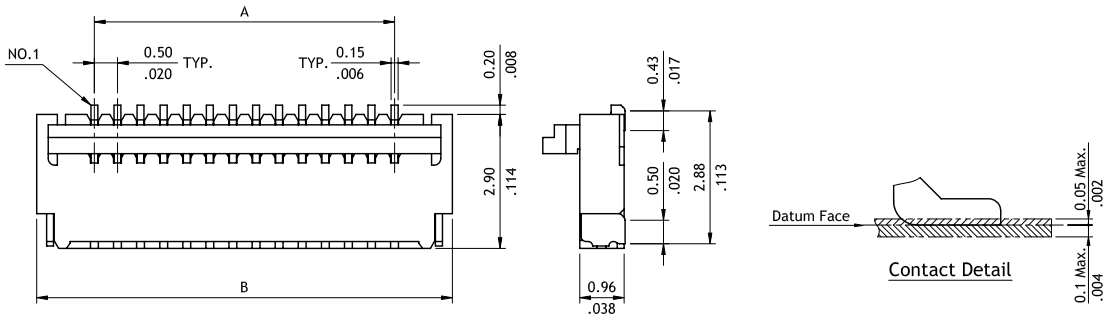
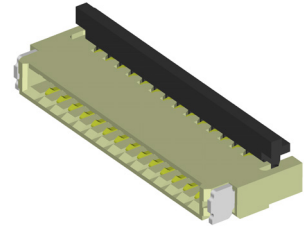
① ② ③ ④ ⑤ ⑥ ⑦ ⑧
CF 8 6 3 0 2 H 0 R 0 - NH

- ① Series No.
- ② No. of Circuits: 04 ~ 30
- ③ Plating Code:
2 = Gold flash over Nickel plated
- ④ Contact style :
H = Side Entry
- ⑤ Color : 0 = Nature
- ⑥ Packing Option : R = Tape & Reel
- ⑦ Options : 0 = Standard
- ⑧ NH = For Lead Free soldering process and Halogen-Free

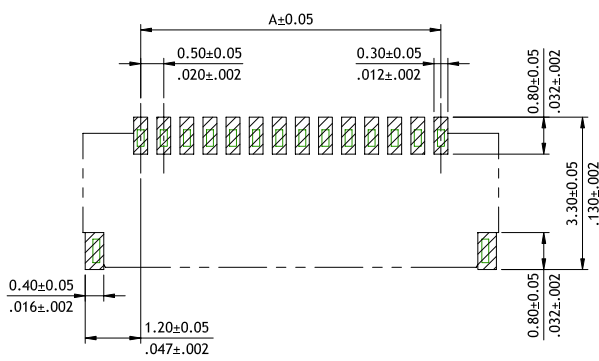
CF42 Series 0.50mm(.020")H=0.96 SMT ZIF FFC/FPC Connectors (Back Flip actuator)

- ⊙ 0.96mm above the board
- ⊙ FFC/FPC zero insertion force and high retention force
- ⊙ Insulator: High temperature plastic UL 94V-0, Color Nature
- ⊙ Cover: High temperature plastic UL 94V-0, Color Black
- ⊙ Designed easy for FFC/FPC installation and reliable operation
- ⊙ With metal fixed tabs to secure connector in place

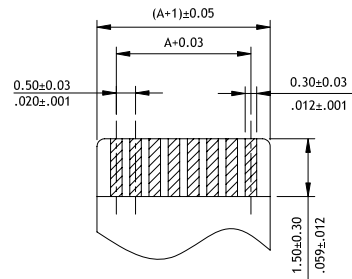
RoHS Compliant



A = 0.5 * No. of Spaces
 B = A + 2.5
 C = A + 1.05
 D = A + 1.92



Recommended P.C Board Layout



Accommodated FFC/FPC
 Thickness: 0.3±0.03

Ordering Code

① ② ③ ④ ⑤ ⑥ ⑦ ⑧ ⑨
CF 4 2 2 0 F H 0 R 0 - 05 - NH

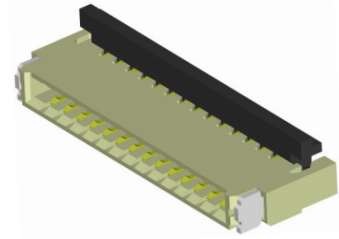
- ① Series No.
- ② No. of Circuits: 02 ~50
 (Available: 2~30,34,36,40,45,50)
 *Circuits not found above
 please consult manufacturer*

- ③ Plating Code:
 1 = Matte Tin over Nickel
 F = Gold flash over Nickel
- ④ Contact Style:
 H = Dual Side
- ⑤ Color: 0 = Nature

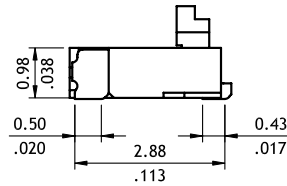
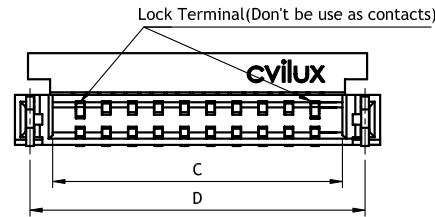
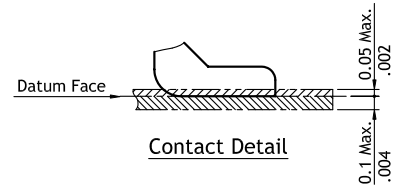
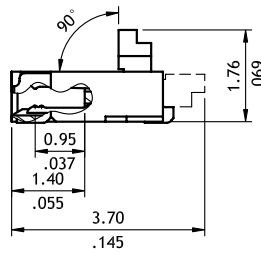
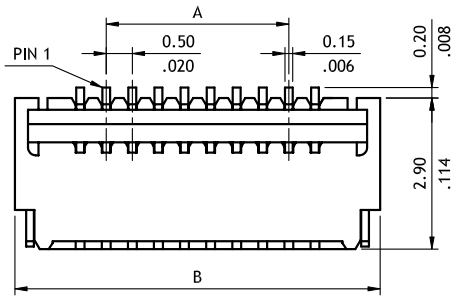
- ⑥ Packing:
 R = Tape & Reel
- ⑦ Other Options:
 0 = Standard
- ⑧ Pitch: 05 = 0.50 mm
- ⑨ NH = For Lead Free IR process
 and Halogen-Free

CF42 Series 0.50mm(.020")H=0.96 SMT ZIF FFC/FPC Connectors (Back Flip actuator)

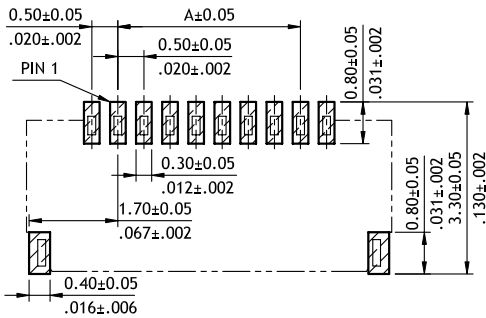
- ⊙ 0.96mm above the board
- ⊙ FFC/FPC zero insertion force and high retention force
- ⊙ Insulator: High temperature plastic UL 94V-0, Color Nature
- ⊙ Cover: High temperature plastic UL 94V-0, Color Black
- ⊙ Designed easy for FFC/FPC installation and reliable operation
- ⊙ With metal fixed tabs to secure connector in place



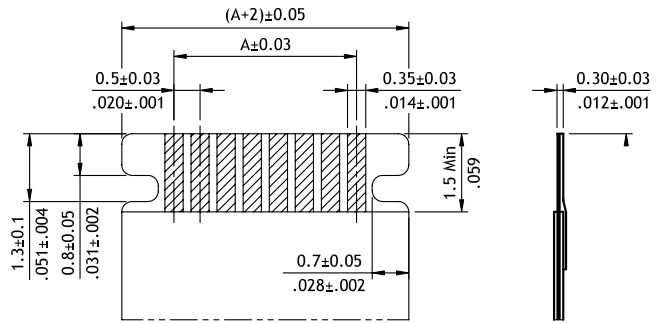
RoHS Compliant



A = 0.5 * (No. of Spaces-1)
 B = A + 3.5
 C = A + 2.05
 D = A + 2.92



Recommended P.C Board Layout



Accommodated FFC/FPC

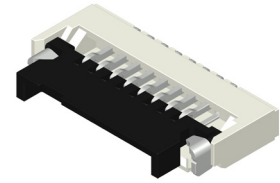
Ordering Code

① ② ③ ④ ⑤ ⑥ ⑦ ⑧ ⑨
CF 4 2 0 8 F H 0 R A - 05 - NH

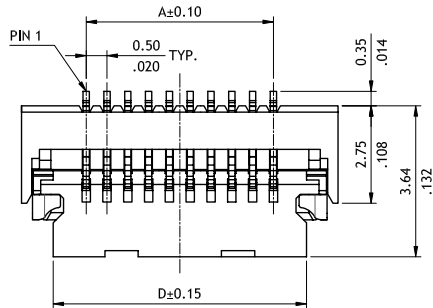
- ① Series No.
- ② No. of Circuits: 04 ~ 29 (Available: 4, 6, 8, 10)
Circuits not found above please consult manufacturer
- ③ Plating Code:
1 = Matte Tin over Nickel
F = Selective Gold flash over Nickel
- ④ Contact Style:
H = Dual Side
- ⑤ Color: 0 = Nature
- ⑥ Packing : R = Tape & Reel
- ⑦ Other Options:
A = Inner Lock Type
- ⑧ Pitch: 05 = 0.50 mm
- ⑨ NH = For Lead Free IR process and Halogen-Free

CF35 Series 0.50mm(.020")H=0.96 SMT ZIF One-Touch FFC/FPC Connectors

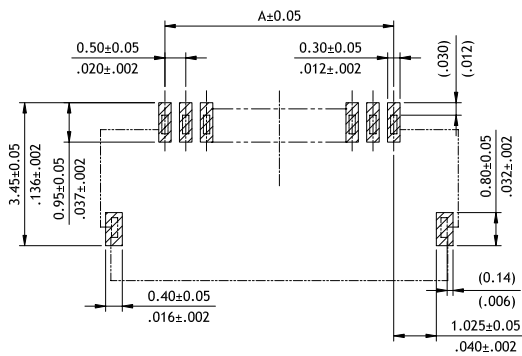
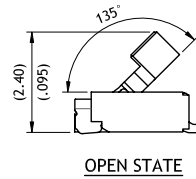
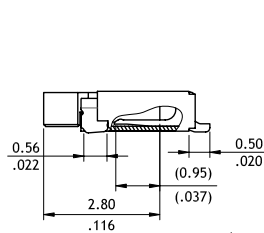
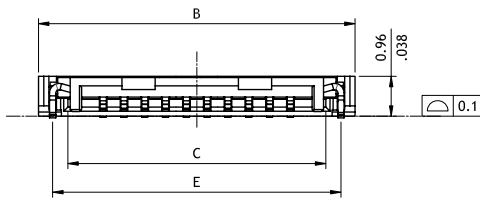
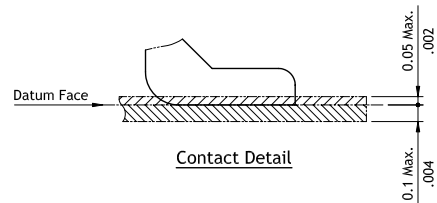
- ⊙ 0.96mm above the board
- ⊙ FFC/FPC zero insertion force and high retention force
- ⊙ Insulation: High temperature plastic UL 94V-0, Color Nature
- ⊙ Cover: High temperature plastic UL 94V-0, Color Black
- ⊙ Actuator designed easy for FFC/FPC installation and reliable operation
- ⊙ With metal fixed tabs to secure connector in place



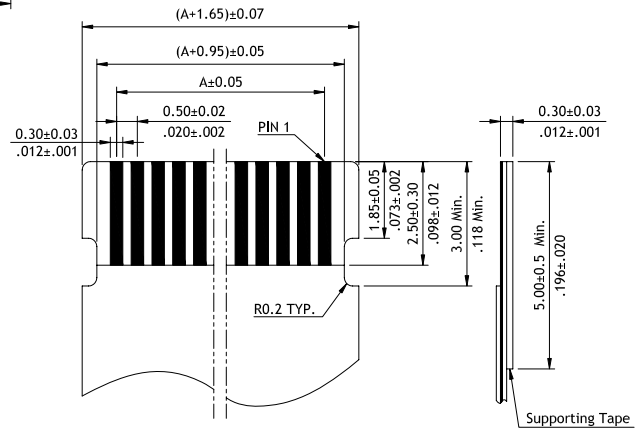
RoHS Compliant



A = 0.5 * No. of Spaces
 B = A + 3.1
 C = A + 1.7
 D = A + 1.6
 E = A + 2.42



Recommended P.C. Board Layout



Accommodated FFC/FPC

Ordering Code

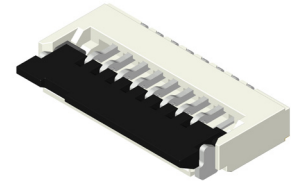
① ② ③ ④ ⑤ ⑥ ⑦
CF 3 5 0 8 2 D 0 RD - NH

- ① Series No.
- ② No. of Circuits: 04 ~ 30
- ③ Plating Code:
2 = Gold flash over Nickel
- ④ Contact Style:
D = Downside Contact
- ⑤ Color: 0 = Nature
- ⑥ Packing : RD = Tape & Reel
- ⑦ NH = For Lead Free IR process and Halogen-Free

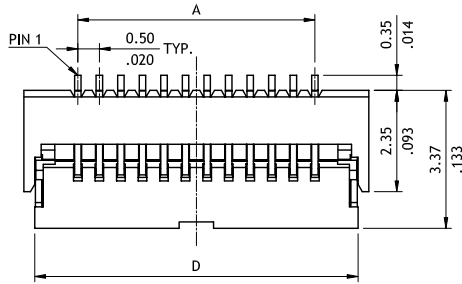
CF35 Series 0.50mm(.020")H=0.96 SMT ZIF One-Touch FFC/FPC Connectors

CF

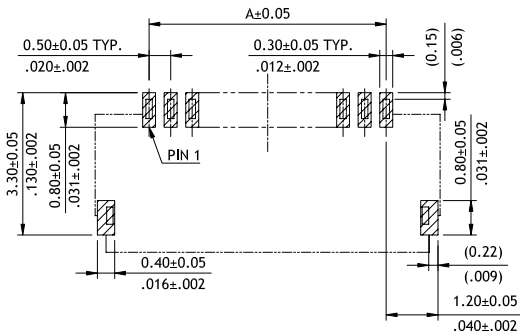
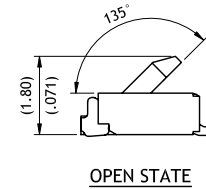
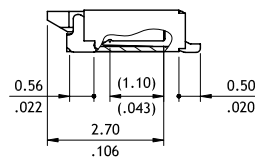
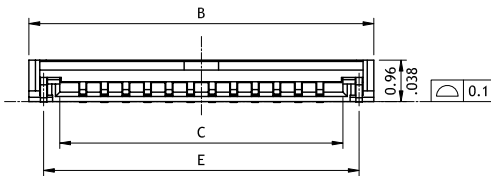
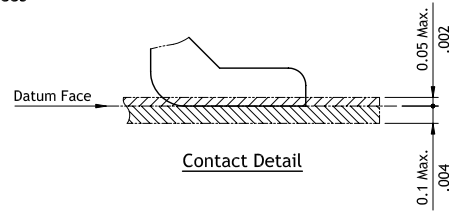
- ⊙ 0.96mm above the board
- ⊙ FFC/FPC zero insertion force and high retention force
- ⊙ Insulation: High temperature plastic UL 94V-0, Color Nature
- ⊙ Cover: High temperature plastic UL 94V-0, Color Black
- ⊙ Actuator designed easy for FFC/FPC installation and reliable operation
- ⊙ With metal fixed tabs to secure connector in place



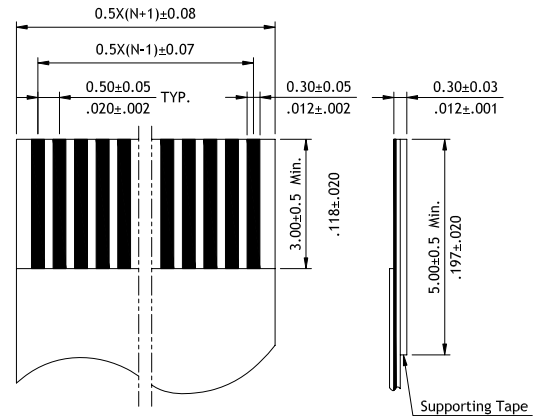
RoHS Compliant



A = 0.5 * No. of Spaces
 B = A + 2.5
 C = A + 1.1
 D = A + 1.9
 E = A + 1.82



Recommended P.C. Board Layout



Accommodated FFC/FPC

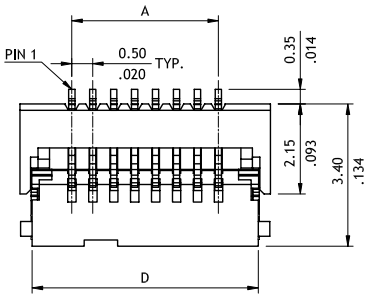
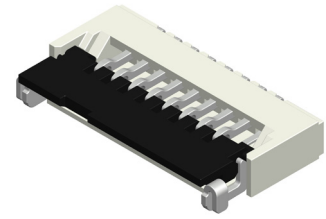
Ordering Code	①	②	③	④	⑤	⑥	⑦
	CF	35	06	2	D	0	RE - NH

① Series No.
 ② No. of Circuits: 04 ~ 30
 ③ Plating Code:
 2 = Gold flash over Nickel
 ④ Contact Style:
 D = Downside Contact
 ⑤ Color: 0 = Nature
 ⑥ Packing: RE = Tape & Reel
 ⑦ NH = For Lead Free IR process and Halogen-Free

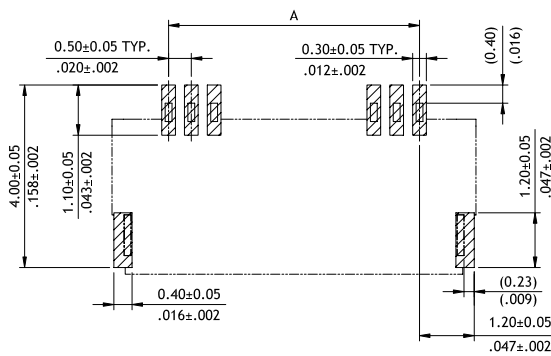
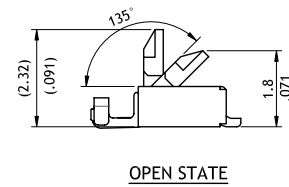
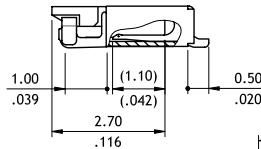
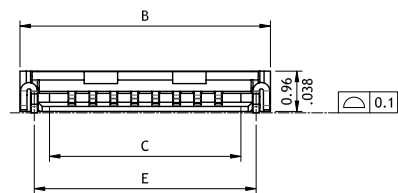
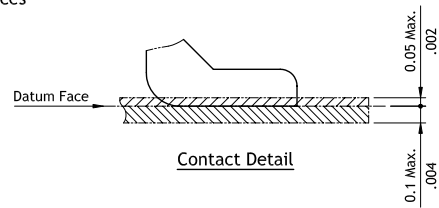
FFC & FPC CONNECTOR

CF35 Series 0.50mm(.020")H=0.96 SMT ZIF One-Touch FFC/FPC Connectors

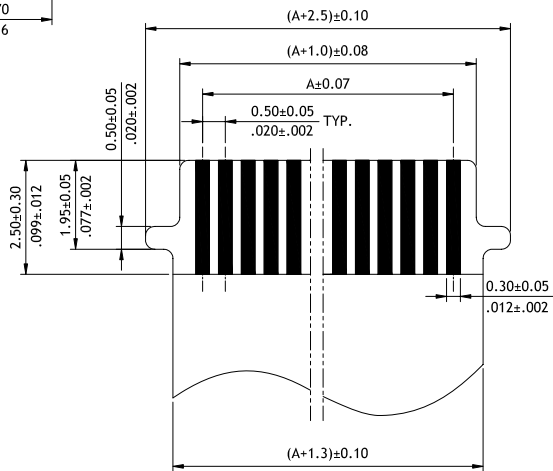
- ⊙ 0.96mm above the board
- ⊙ FFC/FPC zero insertion force and high retention force
- ⊙ Insulation: High temperature plastic UL 94V-0, Color Nature
- ⊙ Cover: High temperature plastic UL 94V-0, Color Black
- ⊙ Actuator designed easy for FFC/FPC installation and reliable operation
- ⊙ With metal fixed tabs to secure connector in place



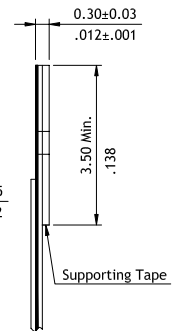
A = 0.5 * No. of Spaces
 B = A + 2.5
 C = A + 1.1
 D = A + 1.9
 E = A + 1.80



Recommended P.C. Board Layout



Accommodated FFC/FPC



Ordering Code

① ② ③ ④ ⑤ ⑥ ⑦
CF35 06 2 D 0 RM - NH

- ① Series No.
- ② No. of Circuits: 04 ~ 30
- ③ Plating Code :
2 = Gold flash over Nickel

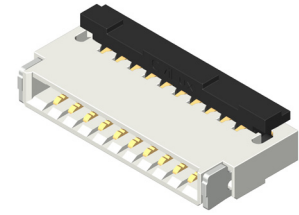
- ④ Contact Style:
D = Downside Contact
- ⑤ Color: 0 = Nature
- ⑥ Packing : RM = Tape & Reel

⑦ NH = For Lead Free IR process and Halogen-Free

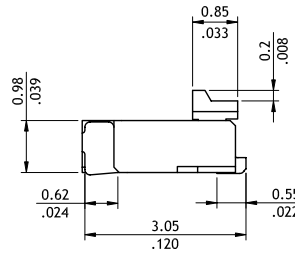
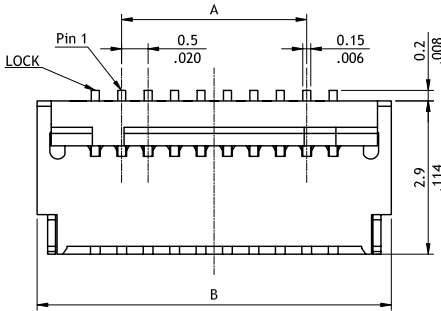
CF87 Series 0.5mm(.020") H=0.98 SMT ZIF FFC/FPC Connectors (Back Flip actuator)

CF

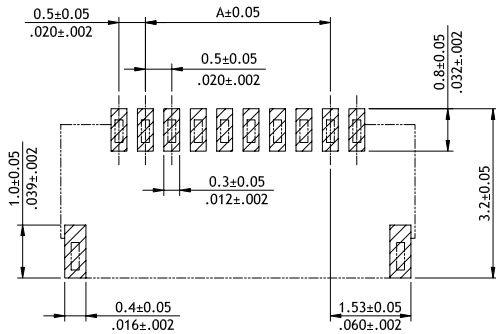
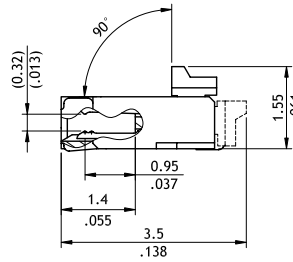
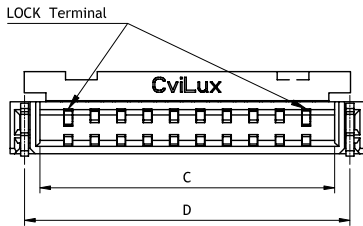
- ⊙ 0.98mm above the board
- ⊙ FFC/FPC zero insertion force and high retention force
- ⊙ Insulator: High temperature plastic UL 94V-0, Color Nature
- ⊙ Cover : High temperature plastic UL 94V-0, Color Black
- ⊙ Actuator designed easy for FPC installation and reliable operation
- ⊙ With metal fixed tabs to secure connector in place



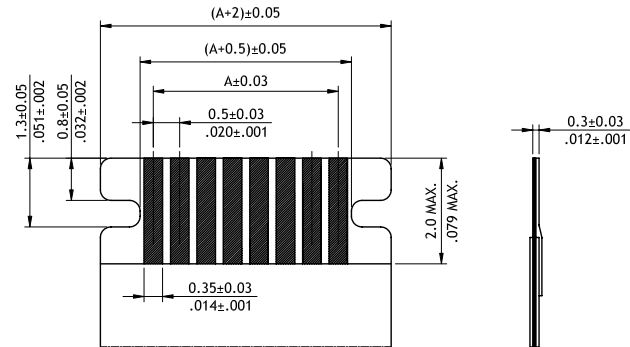
RoHS Compliant



A = 0.5 * No. of Spaces
 B = A + 3.2
 C = A + 2.05
 D = A + 2.65



Recommended P.C. Board Layout



Accommodated FFC/FPC

Ordering Code

① ② ③ ④ ⑤ ⑥ ⑦ ⑧ ⑨
CF87 301 H0R0-05-NH

- ① Series No.
- ② No. of Circuits: 04 ~ 30
- ③ Plating Code:
1 = Matte Tin over Nickel
F = Gold flash over Nickel

- ④ Contact style :
H = Dual Side
- ⑤ Color : 0 = Nature
- ⑥ Packing Option :
R = Tape & Reel

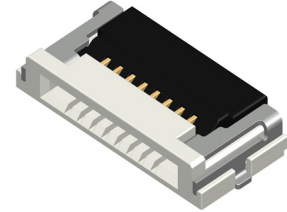
- ⑦ Options: 0 = Standard
- ⑧ Pitch : 05=0.5mm
- ⑨ NH = For Lead Free soldering process and Halogen-Free

FFC & FPC CONNECTOR

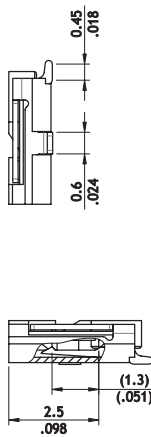
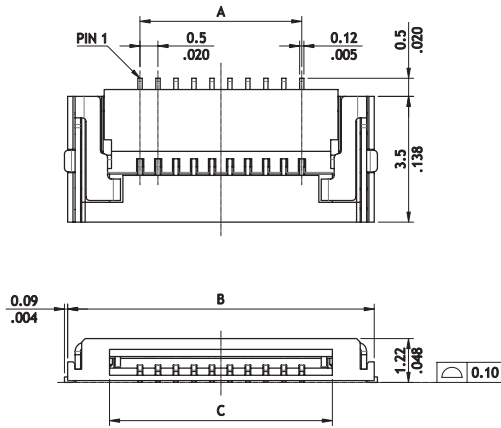
CF92 Series 0.50mm(.020") H=1.22 SMT ZIF Automatic FFC/FPC Connectors

- ⊙ 1.22mm above the board
- ⊙ Insulator: High temperature plastic UL 94V-0, Color Nature
- ⊙ Cover : High temperature plastic UL 94V-0, Color Black
- ⊙ Actuator designed easy for FPC installation and reliable operation
- ⊙ With metal fixed tabs to secure connector in place

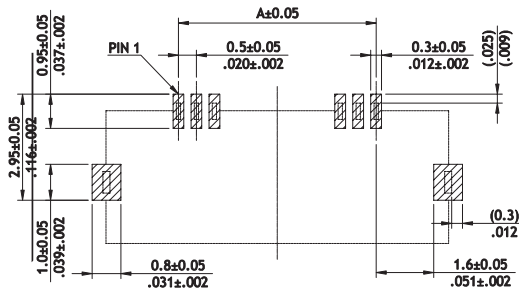
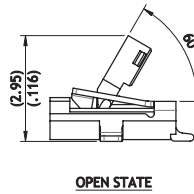
NEW



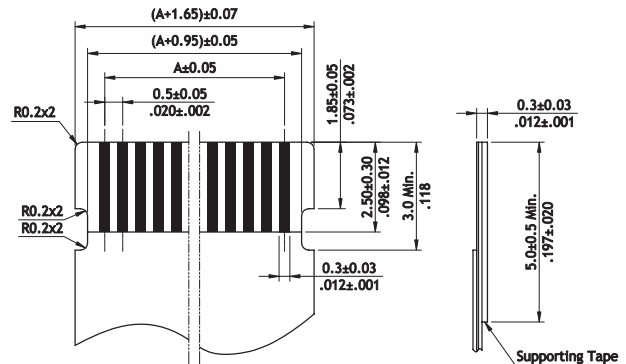
RoHS Compliant



A = 0.5 x No. of Spaces
 B = A + 4.05
 C = A + 1.7



Recommended P.C. Board Layout



Accommodated FFC/FPC

Ordering Code

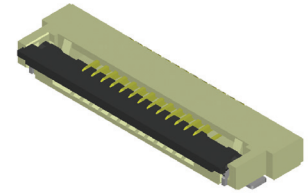
① ② ③ ④ ⑤ ⑥ ⑧ ⑨
CF 92 4 0 1 D 0 R0 - 05 - NH

- ① Series No.
- ② No. of Circuits: 4 , 40
- ③ Plating Code:
 1 = Matte Tin over Nickel
 F = Gold flash over Nickel
- ④ Contact style :
 D = Downside Contact
- ⑤ Color : 0 = Nature
- ⑥ Packing : R0 = Tape & Reel
- ⑦ 05 = Pitch 0.50mm
- ⑧ NH = For Lead Free soldering process and Halogen-Free

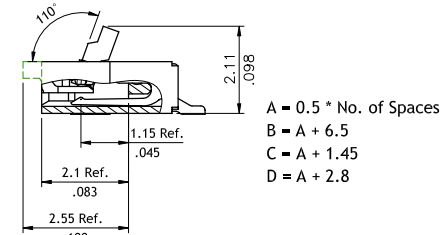
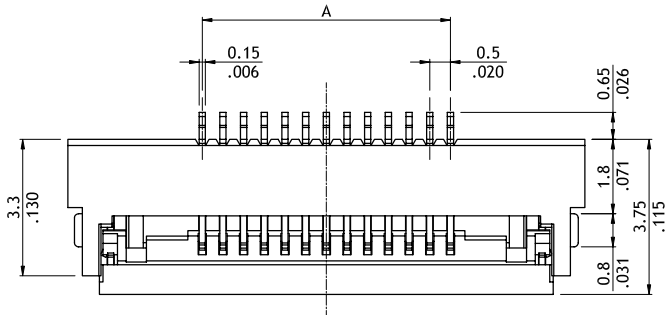
CF55 Series 0.50mm(.020")H=1.25 SMT ZIF FFC/FPC Connectors

CF

- ⊙ 1.25mm above the board
- ⊙ FFC/FPC zero insertion force and high holding force
- ⊙ Insulation: High temperature plastic UL 94V-0, Color Nature
- ⊙ Cover: High temperature plastic UL 94V-0, Color Black
- ⊙ Actuator designed easy for FFC/FPC installation and reliable operation
- ⊙ With metal fixed tabs to secure connector in place

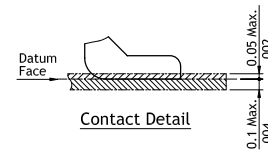
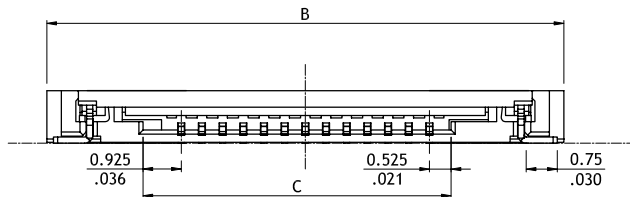


RoHS Compliant

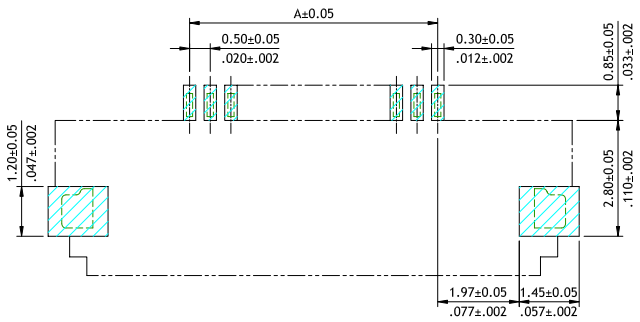


A = 0.5 * No. of Spaces
 B = A + 6.5
 C = A + 1.45
 D = A + 2.8

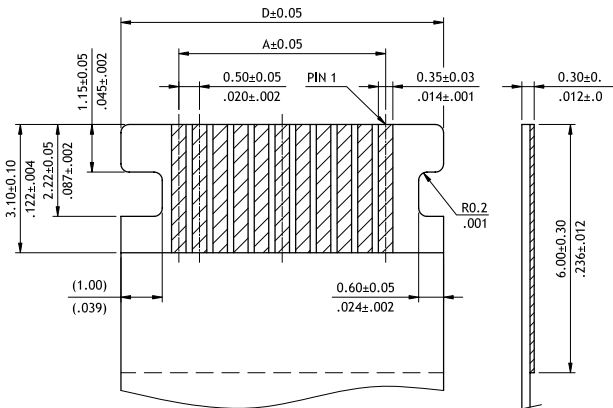
Cover open status



Contact Detail



Recommended P.C Board Layout



Accommodated FFC/FPC

Ordering Code

① ② ③ ④ ⑤ ⑥ ⑦ ⑧ ⑨
CF55 12 F D 0 R A - 05 NH

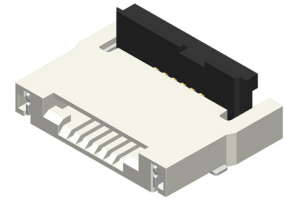
- ① Series No.
- ② No. of Circuits: 6-40 (Available: 6,12)
Circuits not found above please consult manufacturer
- ③ Plating Code:
F = Selective Gold flash over Nickel
- ④ Contact Style:
D = Downside Contact
- ⑤ Color: 0 = Nature
- ⑥ Packing : R = Tape & Reel
- ⑦ Other Options:
A = Without Mylar
- ⑧ Pitch : 05 = 0.50mm
- ⑨ NH = For Lead Free IR process and Halogen-Free

FFC & FPC CONNECTOR

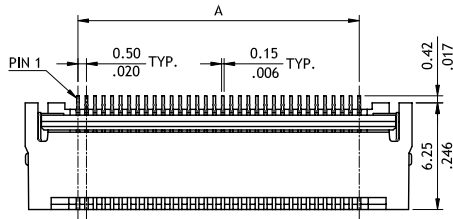
CF88 Series 0.5mm(.020") H=1.57 SMT ZIF FFC/FPC Connectors (Back Flip actuator)



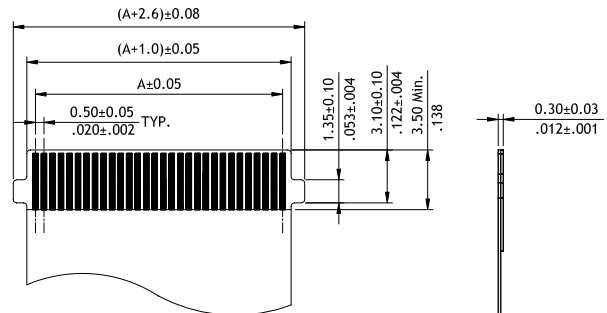
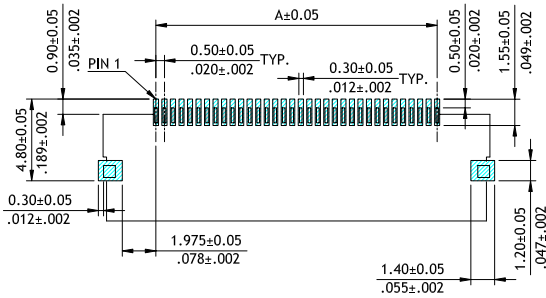
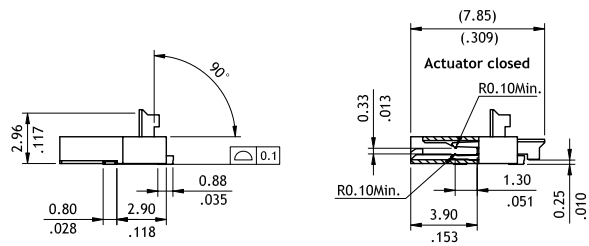
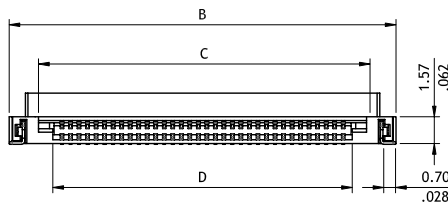
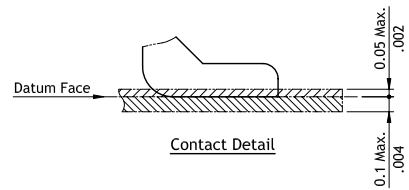
- ⊙ 1.57mm above the board
- ⊙ FFC/FPC zero insertion force and high retention force
- ⊙ Insulator: High temperature plastic UL 94V-0, Color Nature
- ⊙ Cover : High temperature plastic UL 94V-0, Color Black
- ⊙ Actuator designed easy for FPC installation and reliable operation
- ⊙ With metal fixed tabs to secure connector in place



RoHS Compliant



A = 0.5 * No. of Spaces
 B = A + 6.2
 C = A + 2.75
 D = A + 1.1



Recommended P.C. Board Layout

Accommodated FFC/FPC

Ordering Code

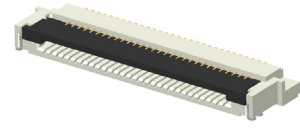
① ② ③ ④ ⑤ ⑥ ⑦ ⑧
CF 8 8 3 0 1 H 0 R0 - 05 - NH

- ① Series No.
- ② No. of Circuits: 04 ~ 30
- ③ Plating Code:
 1 = Matte Tin over Nickel
 F = Gold flash over Nickel
- ④ Contact style : H = Dual Side
- ⑤ Color : 0 = Nature
- ⑥ Packing Option : RD = Tape & Reel
- ⑦ Pitch : 05=0.5mm
- ⑧ NH = For Lead Free soldering process and Halogen-Free

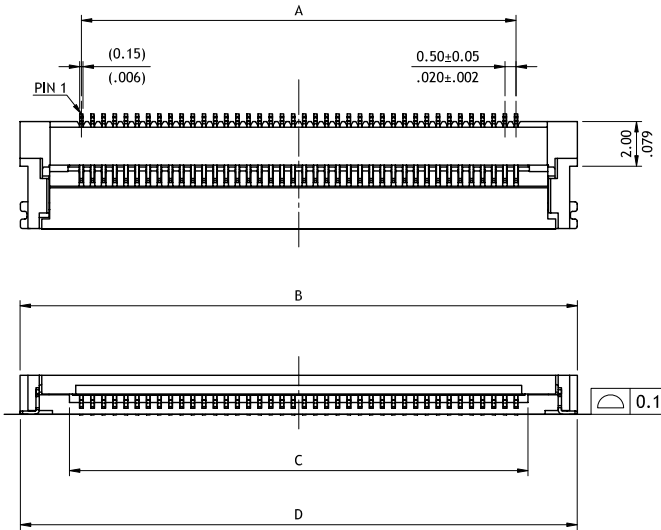
CF69 Series 0.50mm(.020") H=1.75 SMT LIF One-Touch FFC/FPC Connectors

CF

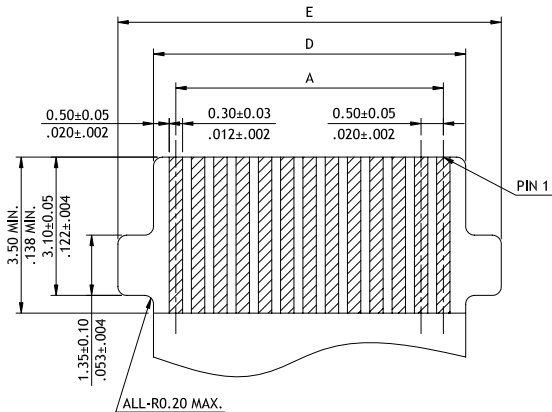
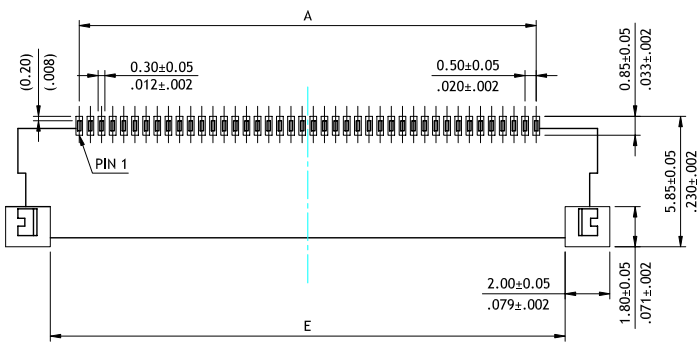
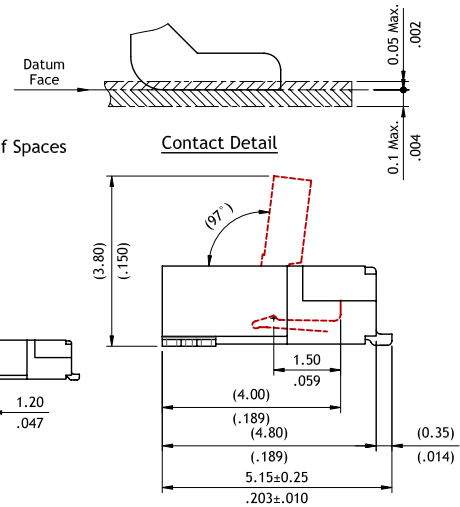
- ⊙ 1.75mm above the board
- ⊙ FFC/FPC low insertion force and high retention force
- ⊙ Insulator: High temperature plastic UL 94V-0, Color Nature
- ⊙ Cover: High temperature plastic UL 94V-0, Color Black
- ⊙ Actuator designed easy for FPC installation and reliable operation
- ⊙ With metal fixed tabs to secure connector in place



RoHS Compliant



A = 0.5 * No. of Spaces
 B = A + 5.5
 C = A + 1.07
 D = A + 1.0
 E = A + 2.6



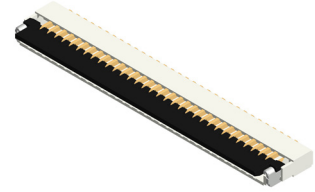
Ordering Code

① ② ③ ④ ⑤ ⑥ ⑦ ⑧ ⑨
CF 6 9 5 0 2 D 0 R 0 - 05 - NH

- ① Series No.
- ② No. of Circuits: 40 , 44 , 50
 Circuits not found above please consult manufacturer
- ③ Plating Code:
 1 = Matte Tin over Nickel
 2 = Gold flash over Nickel
- ④ Contact Style:
 D= Downside Contact
- ⑤ Color: 0 = Nature
- ⑥ Packing: R = Tape & Reel
 T = Tube Packing
- ⑦ Other Options: 0 = Standard
 *Special option consult manufacturer
- ⑧ Pitch: 05= 0.50 mm
- ⑨ NH = For Lead Free IR process and Halogen-Free

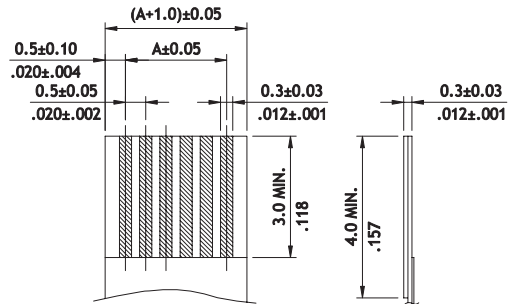
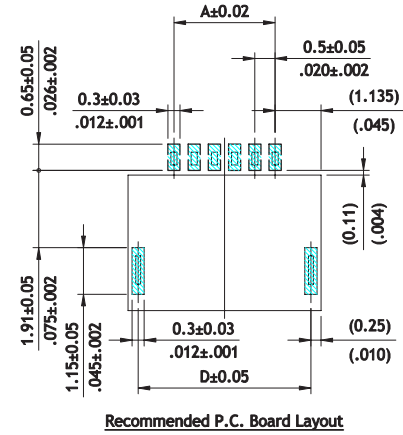
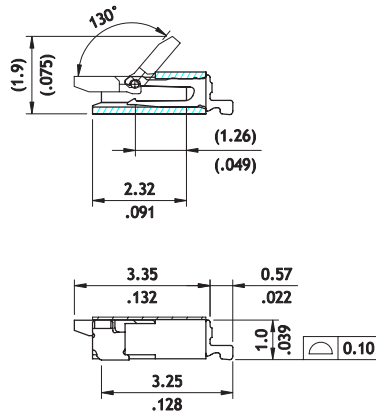
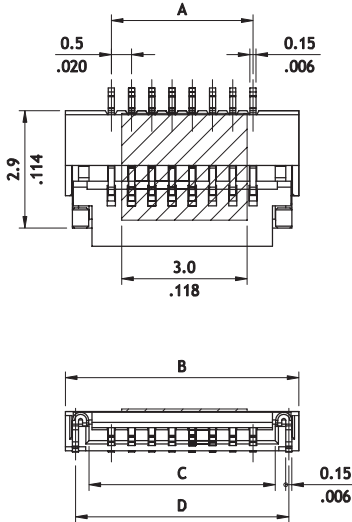
CF39 Series 0.50mm(.020") SMT One - Touch FFC/FPC Connectors

- ⊙ 1.00mm above the board
- ⊙ Insulator: High temperature plastic UL 94V-0, Color Nature
- ⊙ Cover : High temperature plastic UL 94V-0, Color Black
- ⊙ Actuator designed easy for FPC installation and reliable operation
- ⊙ With metal fixed tabs to secure connector in place



RoHS Compliant

A = 0.50 * No. of Spaces
 B = A + 2.27
 C = A + 1.10
 D = A + 1.77



Ordering Code

① ② ③ ④ ⑤ ⑥ ⑦
CF 3 9 4 0 2 D 0 R 0 - NH

- ① Series No.
- ② No. of Circuits:
04 ,06,08,10,12,15,16, 18,
20, 22,
24, 28, 30, 32, 40

- ③ Plating Code:
2 =Gold flash over Nickel
- ④ Contact style :
D = Downside contact
- ⑤ 0 = Color Nature

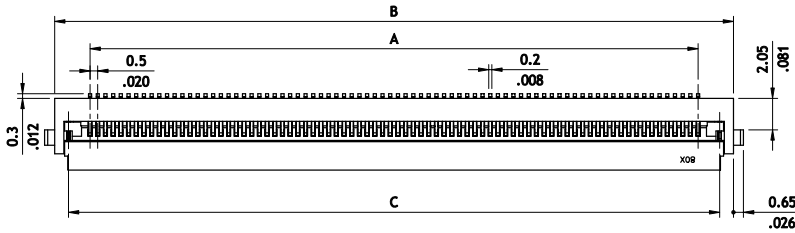
- ⑥ Packing:
R0 = Tape & Reel (Without Mylar)
RM = Tape & Reel(With Mylar)
- ⑦ NH = For Lead Free soldering
process and Halogen-Free

CF75 Series 0.50mm(.020") SMT One-Touch FFC/FPC Connectors

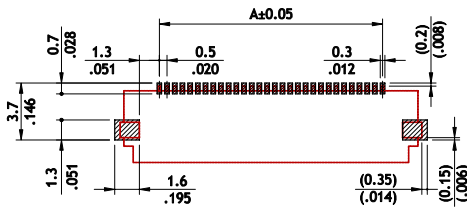
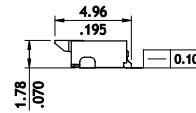
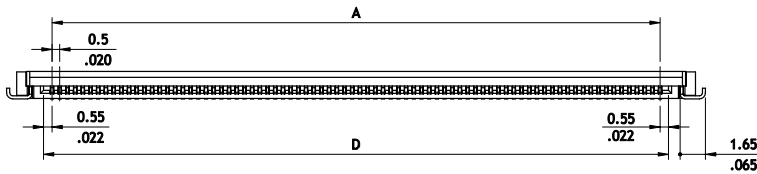
- ⊙ 1.78mm above the board
- ⊙ Insulator: High temperature plastic UL 94V-0, Color Nature
- ⊙ Cover : High temperature plastic UL 94V-0, Color Black
- ⊙ Actuator designed easy for FPC installation and reliable operation
- ⊙ With metal fixed tabs to secure connector in place



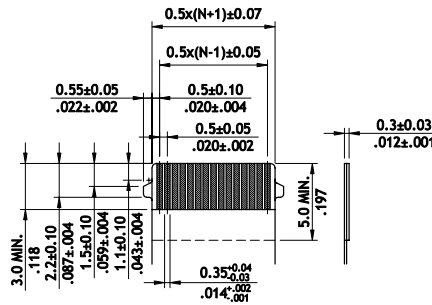
RoHS Compliant



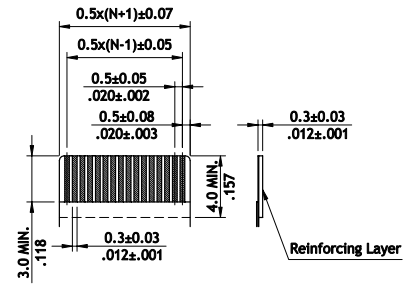
Circuits	Dimension			
	A	B	C	D
60	29.5(1.161)	34.10(1.342)	32.3(1.272)	30.60(1.205)
80	39.5(1.555)	44.10(1.736)	42.3(1.665)	40.60(1.598)



Recommended P.C. Board Layout



RECOMMENDED FPC DIM.
THICKNESS:0.3±0.03



RECOMMENDED FPC DIM.
THICKNESS:0.3±0.03

Ordering Code

① ② ③ ④ ⑤ ⑥ ⑦
CF 7 5 8 0 2 D 0 R 0 - NH

- ① Series No.
- ② No. of Circuits: 60 , 80
- ③ Plating Code:
2 =Gold flash over Nickel

- ④ Contact style :
D = Downside contact
- ⑤ Color : 0 = Nature

- ⑥ Packing : R0 = Tape & Reel
- ⑦ NH = For Lead Free soldering process and Halogen-Free

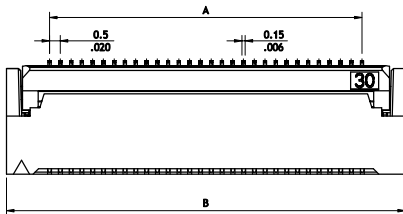
CF82 Series 0.50mm(.020") H=2.00 SMT ZIF One-Touch FFC/FPC Connectors

- ⊙ 2.00mm above the board
- ⊙ FFC/FPC zero insertion force and high retention force
- ⊙ Insulator: High temperature plastic UL 94V-0, Color Nature
- ⊙ Cover : High temperature plastic UL 94V-0, Color Black
- ⊙ With metal fixed tabs to secure connector in place

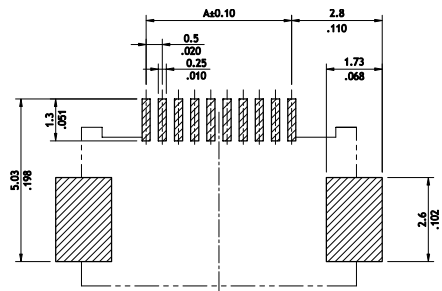
NEW



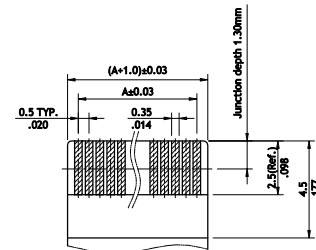
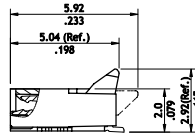
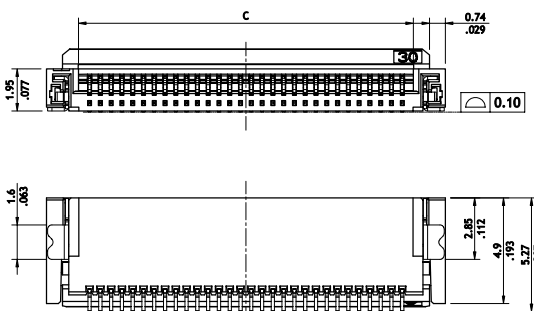
RoHS Compliant



A = 0.50 x No. of Spaces
 B = A + 4.0
 C = A + 1.05



Recommended P.C. Board Layout
 General tolerance ±0.05



Recommended FPC/FFC Dimension
 Thickness: 0.3±0.03mm

Ordering Code

① ② ③ ④ ⑤ ⑥ ⑦ ⑧
CF82 60 2 H 0 R0-05 - NH

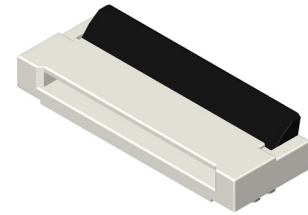
- | | | |
|--|-----------------------|--|
| ① Series No. | ④ Contact style : | ⑥ Packing : R0 = Tape & Reel |
| ② No. of Circuits:
4,5,6,8,9,10,12~16,18,20,24,25,
28,30,32,34,36,40,45,50,54,60 | H = Dual side contact | ⑦ 05 = Pitch 0.5mm |
| ③ Plating Code:
2 =Gold flash over Nickel | ⑤ Color : 0 = Nature | ⑧ NH = For Lead Free soldering
process and Halogen-Free |

CF82 Series 1.00mm(.039") H=2.00 SMT ZIF One-Touch FFC/FPC Connectors

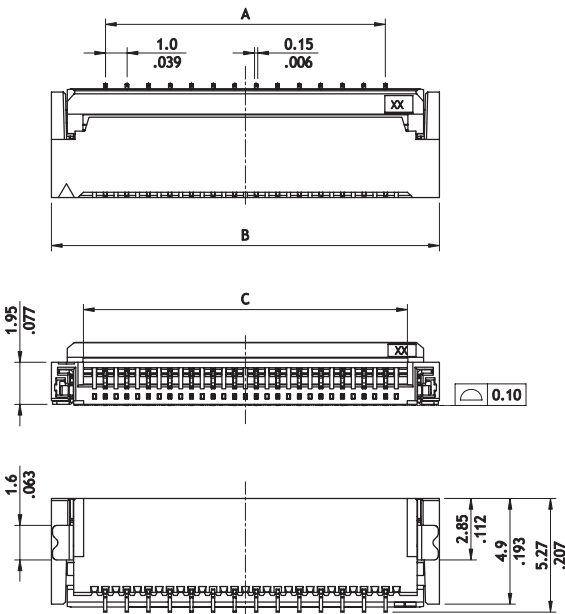
CF

- ⊙ 2.00mm above the board
- ⊙ FFC/FPC zero insertion force and high retention force
- ⊙ Insulator: High temperature plastic UL 94V-0, Color Nature
- ⊙ Cover : High temperature plastic UL 94V-0, Color Black
- ⊙ With metal fixed tabs to secure connector in place

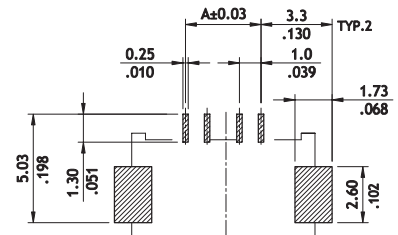
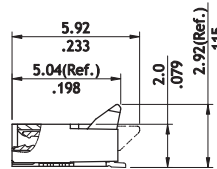
NEW



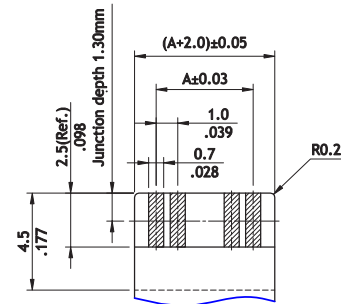
RoHS Compliant



A = 1.00 x No. of Spaces
 B = A + 5.0
 C = A + 2.05



Recommended P.C. Board Layout
 General tolerance ±0.05



Recommended FPC/FFC Dimension
 Thickness: 0.3±0.03mm

Ordering Code

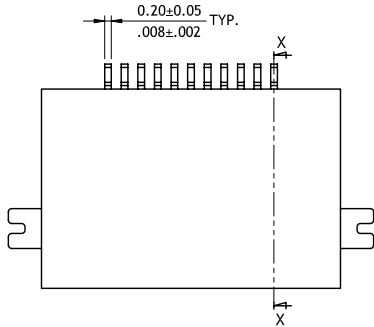
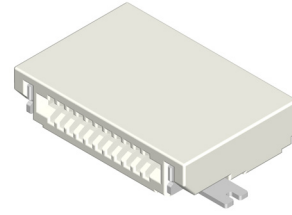
①	②	③	④	⑤	⑥	⑦	⑧
CF82	04	2	H	0	R0	10	NH

- ① Series No.
- ② No. of Circuits: 4,6,8,9,12,20,22
- ③ Plating Code:
2 =Gold flash over Nickel
- ④ Contact style :
H = Dual side contact
- ⑤ Color : 0 = Nature
- ⑥ Packing : R0 = Tape & Reel
- ⑦ 10 = Pitch 1.00mm
- ⑧ NH = For Lead Free soldering process and Halogen-Free

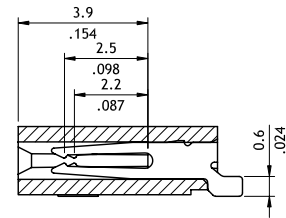
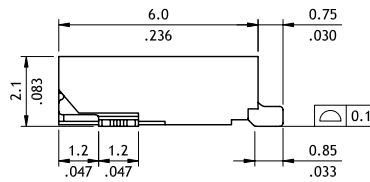
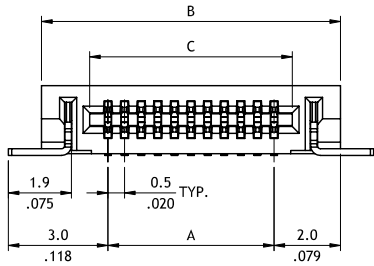
CF76 Series 0.50mm(.020") H=2.10 SMT LIF FFC/FPC Connectors

- ⊙ 2.1mm above the board
- ⊙ Copper alloy dual contacts
- ⊙ Insulation: High temperature plastic UL94V-0 , Color Nature
- ⊙ with metal fixed tabs to secure connector in place

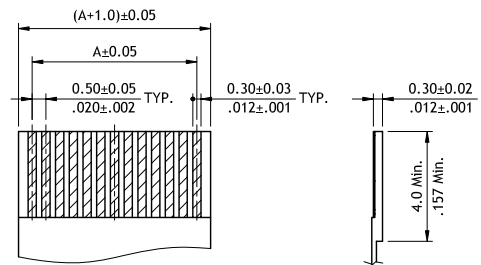
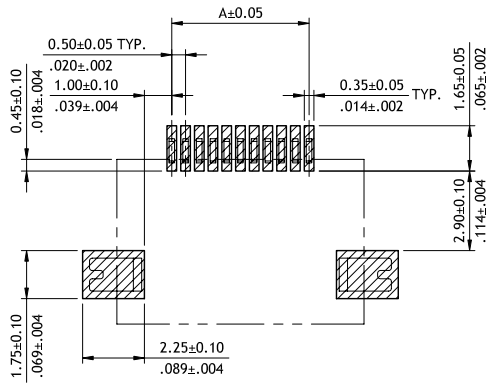
RoHS Compliant  



DIM.A = 0.50 x No. of Spaces
 DIM.B = DIM.A + 4.0
 DIM.C = DIM.A + 1.1
 *Available in 10 through 50 circuits



SEC.: X-X



Recommended P.C.B Layout

Accommodated FFC/FPC

Ordering Code

① ② ③ ④ ⑤ ⑥ ⑦ ⑧ ⑨
CF76 50 M 2 H R 0 - 05 - NH

- ① Series No.
- ② No. of Circuits: 10 ~ 50
- ③ Contact Style: M= SMT Type

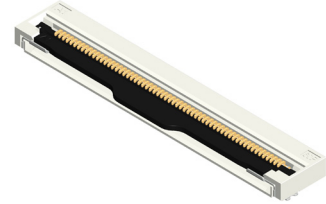
- ④ Plating: 2=Gold flash over 50u" min Nickel
- ⑤ Type : H = Side Entry
- ⑥ Packing : R = Tape & Reel

- ⑦ Other Options: 0 = Standard
- ⑧ Pitch: 05 = 0.50 mm
- ⑨ NH = For Lead Free IR process and Halogen-Free

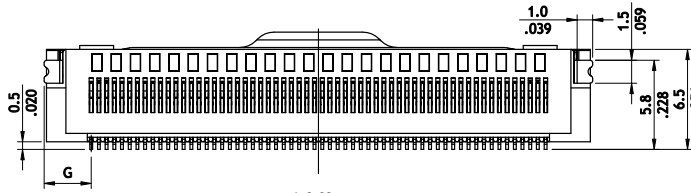
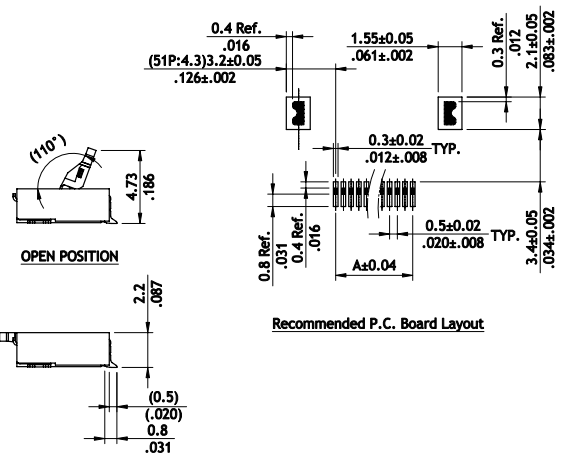
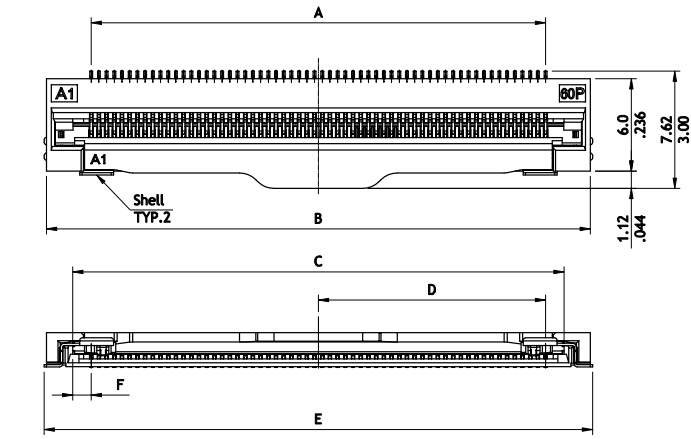
CF85 Series 0.50mm(.020") H=2.20 SMT ZIF One-Touch FFC/FPC Connectors

- ⊙ 2.20mm above the board
- ⊙ Insulator: High temperature plastic UL 94V-0, Color Nature
- ⊙ Cover : High temperature plastic UL 94V-0, Color Black
- ⊙ With metal fixed tabs to secure connector in place

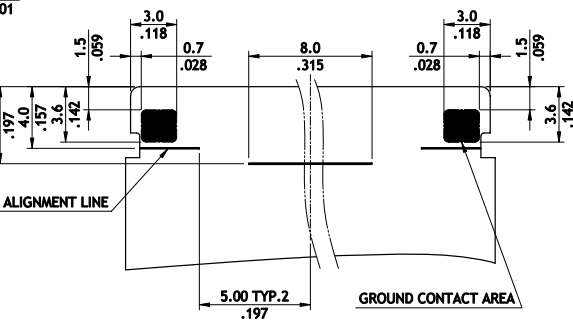
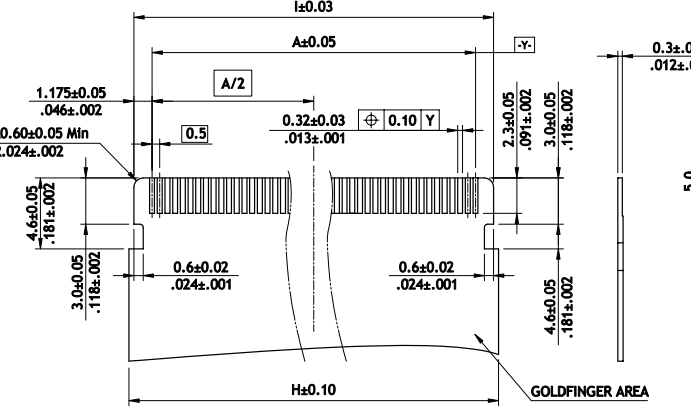
NEW



RoHS Compliant



PIN	DIM A	DIM B	DIM C	DIM D	DIM E	DIM F	DIM G	DIM H	DIM I
51	25.0 (.998)	33.0 (1.299)	29.6 (1.165)	12.5 (.492)	33.3 (1.311)	2.3 (.091)	4.15 (.163)	28.0 (1.102)	27.35 (1.077)
60	29.5 (1.161)	35.3 (1.390)	31.9 (1.256)	14.75 (.581)	35.6 (1.402)	1.2 (.047)	3.05 (.120)	32.5 (1.280)	31.85 (1.254)
68	33.5 (1.319)	39.5 (1.547)	35.9 (1.413)	16.75 (.659)	39.6 (1.559)	1.2 (.047)	3.05 (.120)	36.5 (1.437)	35.85 (1.411)



APPLICABLE FPC RECOMMENDED DIMENSION

Ordering Code

① ② ③ ④ ⑤ ⑥ ⑦ ⑧

CF85 60 A D 0 R0-05-NH

① Series No.

② No. of Circuits: 51 , 60 , 68

③ Plating Code:
A = Selective Gold flash over Nickel

④ Contact style :
D = Down side

⑤ Color : 0 = Nature

⑥ Packing : R0 = Tape & Reel

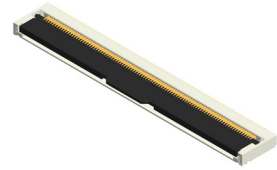
⑦ 05 = Pitch 0.50mm

⑧ NH = For Lead Free soldering process and Halogen-Free

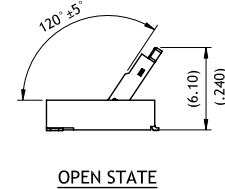
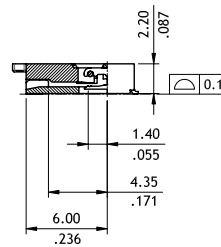
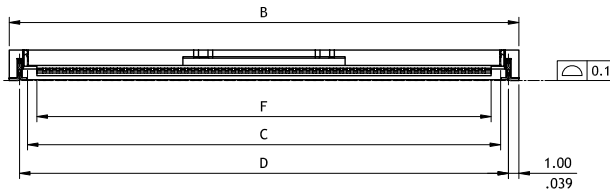
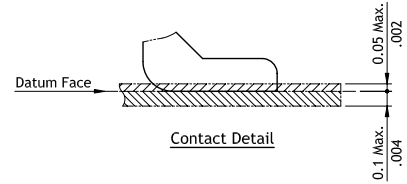
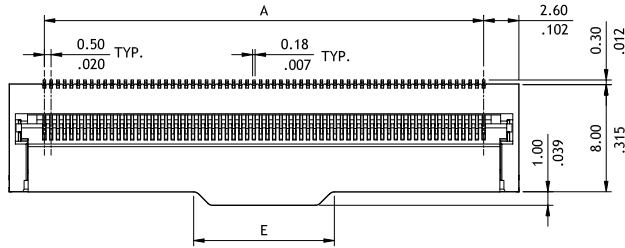
CF90 Series 0.5mm(.020") H=2.20 SMT ZIF One-Touch FFC/FPC Connectors

- ⊙ 2.20mm above the board
- ⊙ FFC/FPC zero insertion force and high retention force
- ⊙ Insulator: High temperature plastic UL 94V-0, Color Nature
- ⊙ Cover : High temperature plastic UL 94V-0, Color Black
- ⊙ Actuator designed easy for FPC installation and reliable operation
- ⊙ With metal fixed tabs to secure connector in place

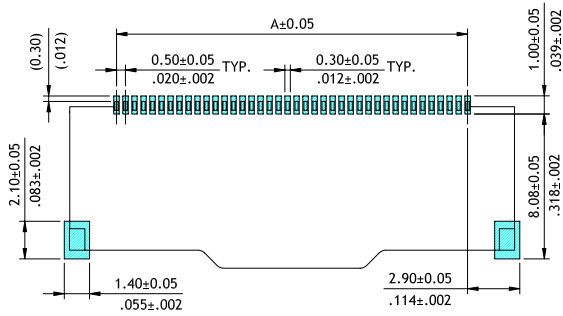
NEW



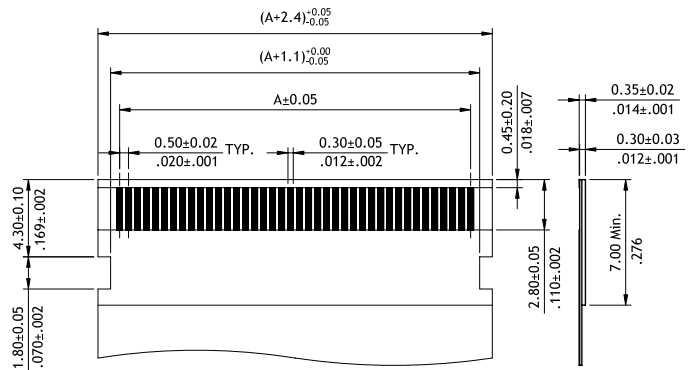
RoHS Compliant



Circuits	Dimension					
	A	B	C	D	E	F
96	47.50(1.870)	52.70(2.075)	50.00(1.969)	51.20(2.016)	10.00(.394)	48.60(1.913)



Recommended P.C. Board Layout



Accommodated FFC/FPC

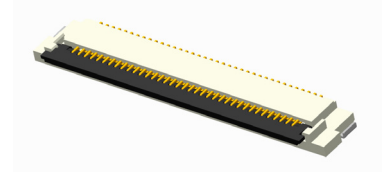
Ordering Code

① ② ③ ④ ⑤ ⑥ ⑦ ⑧
CF 9 0 9 6 1 D 0 R 0 - 0 5 - NH

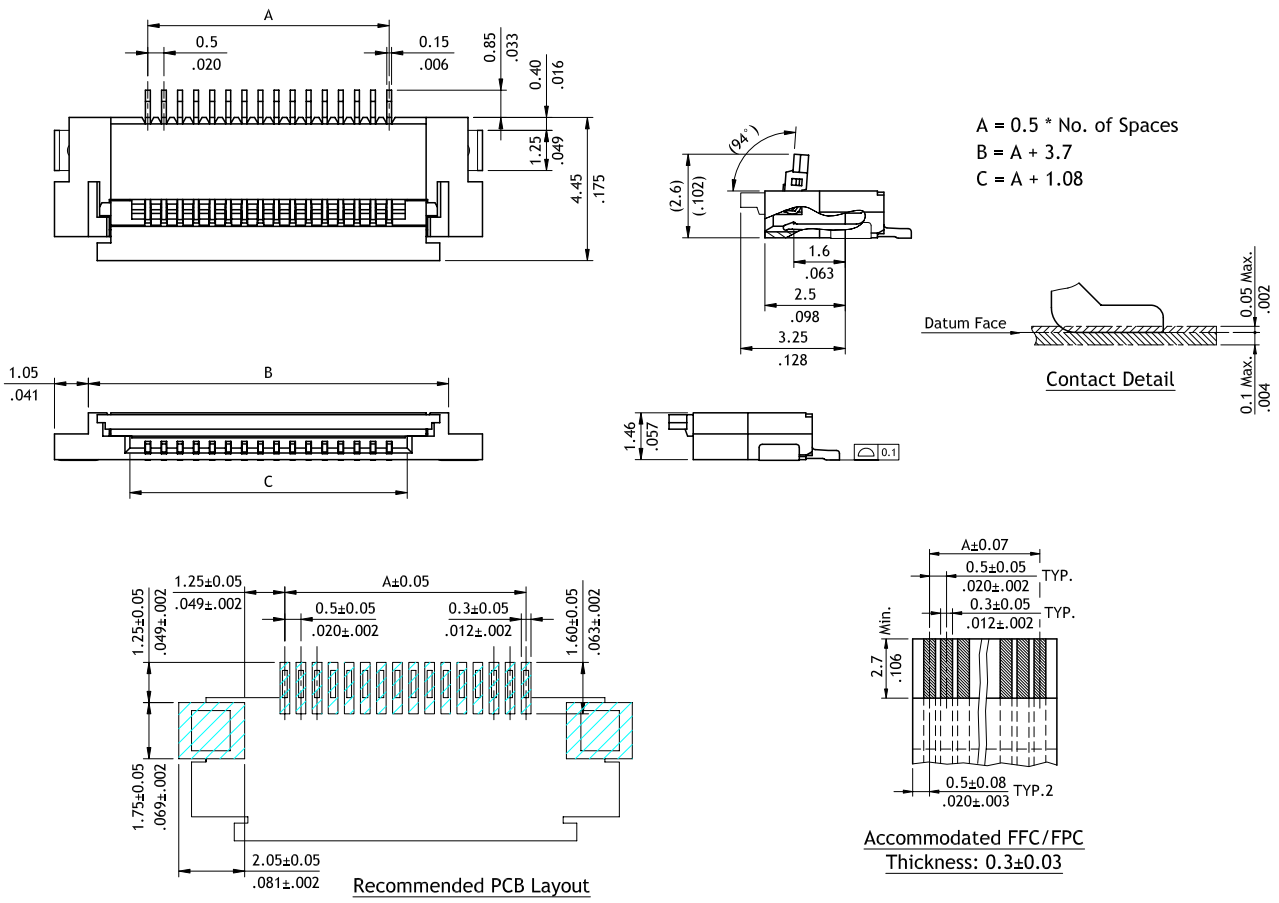
- ① Series No.
- ② No. of Circuits: 96
- ③ Plating Code:
1 = Matte Tin over Nickel
F = Gold flash over Nickel
- ④ Contact style :
D = Downside contact
- ⑤ Color : 0 = Nature
- ⑥ Packing : R0 = Tape & Reel
- ⑦ Pitch : 05=0.5mm
- ⑧ NH = For Lead Free soldering process and Halogen-Free

CF50 Series 0.50mm(.020")H=1.46 SMT ZIF One-Touch FFC/FPC Connectors

- ⊙ 1.46mm above the board
- ⊙ FFC/FPC zero insertion force and high retention force
- ⊙ Insulation: High temperature plastic UL 94V-0, Color Nature
- ⊙ Cover: High temperature plastic UL 94V-0, Color Black
- ⊙ Actuator designed easy for FFC/FPC installation and reliable operation
- ⊙ With metal fixed tabs to secure connector in place



RoHS Compliant



Ordering Code	①	②	③	④	⑤	⑥	⑦	⑧
	CF	50	08	F	D	0	RC	- 05 - NH

① Series No.
 ② No. of Circuits: 6, 8
 Circuits not found above please consult manufacturer
 ③ Plating Code:
 F = Gold flash over Nickel

④ Contact Style:
 D = Downside Contact

⑤ Color: 0 = Nature

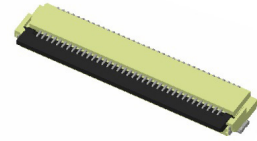
⑥ Packing: RC = Tape & Reel

⑦ Pitch: 05 = 0.50 mm

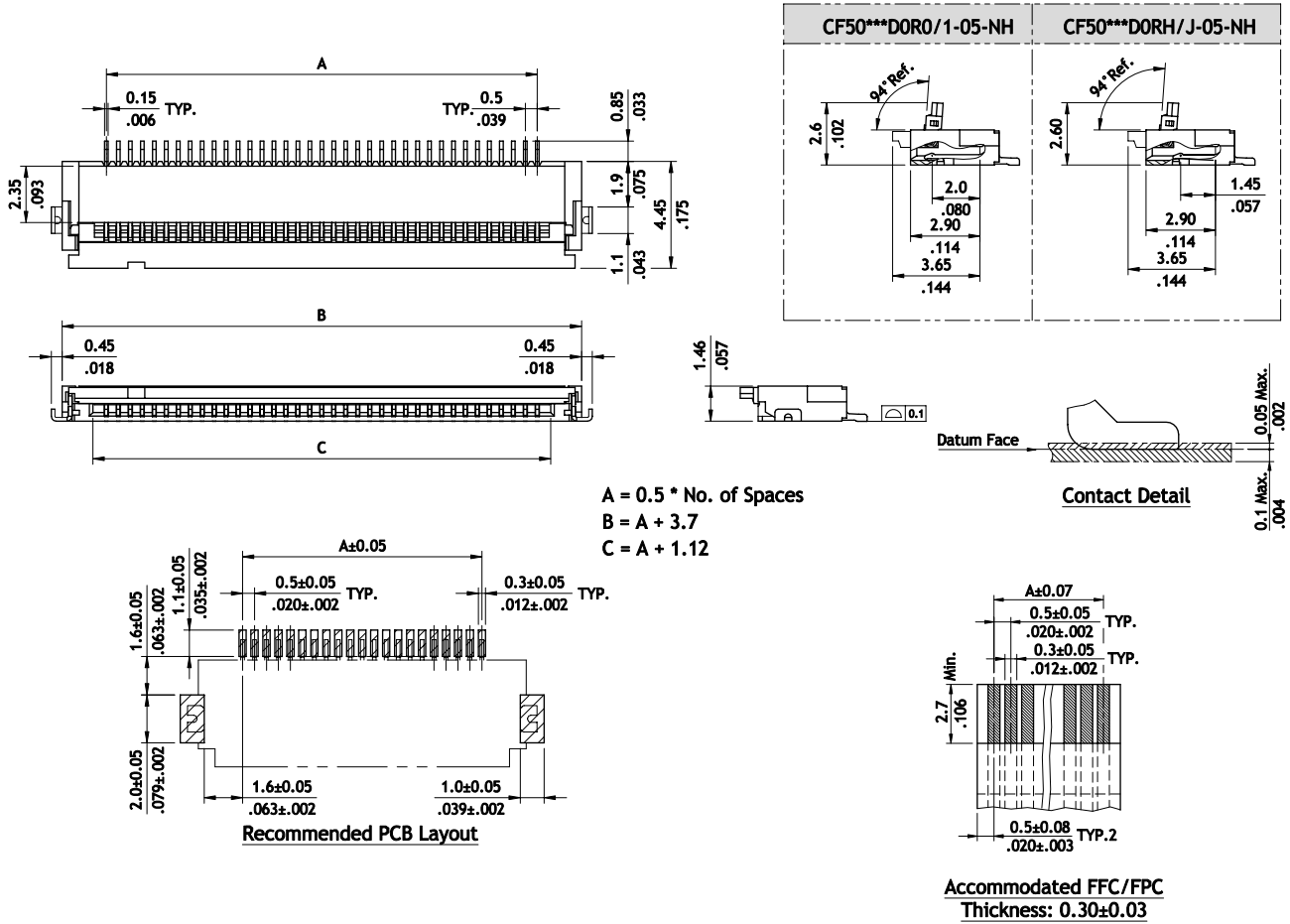
⑧ NH = For Lead Free IR process and Halogen-Free

CF50 Series 0.50mm(.020")H=1.46 SMT ZIF One-Touch FFC/FPC Connectors

- ⊙ 1.46mm above the board
- ⊙ FFC/FPC zero insertion force and high retention force
- ⊙ Insulation: High temperature plastic UL 94V-0, Color Nature
- ⊙ Cover: High temperature plastic UL 94V-0, Color Black
- ⊙ Actuator designed easy for FFC/FPC installation and reliable operation
- ⊙ With metal fixed tabs to secure connector in place



RoHS Compliant



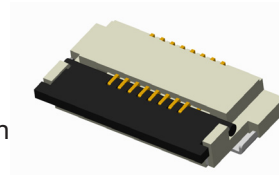
Ordering Code

① ② ③ ④ ⑤ ⑥ ⑦ ⑧ ⑨
CF 5 0 4 0 1 D 0 R 0 - 05 - NH

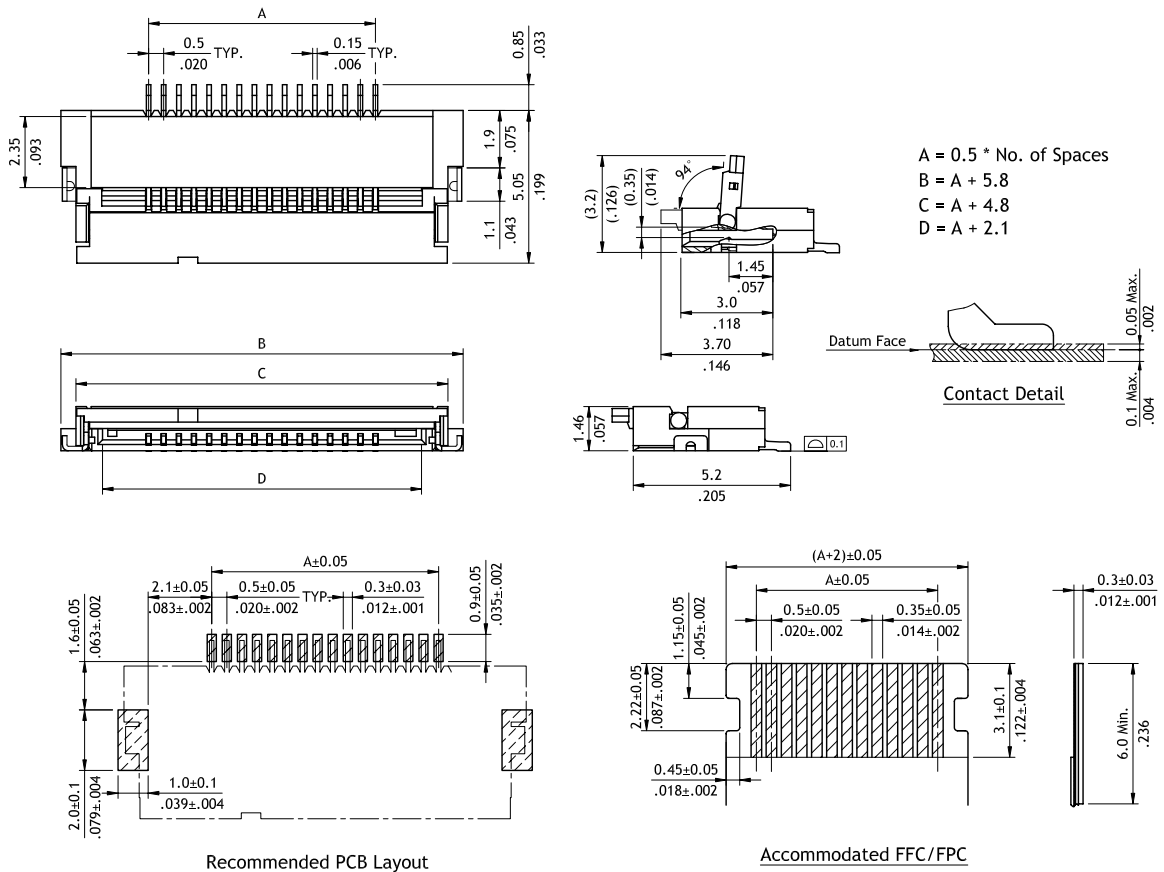
- ① Series No.
- ② No. of Circuits: 4 ~ 61
- ③ Plating Code:
 1 = Matte Tin over Nickel
 F = Gold flash over Nickel
- ④ Contact Style :
 D = Downside Contact
- ⑤ Color: 0 = Nature
- ⑥ Packing:
 R0 = Tape & Reel without Mylar
 R1 = Tape & Reel with Mylar
 RH = Tape & Reel without Mylar
 RJ = Tape & Reel with Mylar
- ⑦ Pitch: 05 = 0.50 mm
- ⑧ NH = For Lead Free IR process and Halogen-Free

CF50 Series 0.50mm(.020")H=1.46 SMT ZIF One-Touch FFC/FPC Connectors

- ⊙ 1.46mm above the board
- ⊙ FFC/FPC zero insertion force and high retention force
- ⊙ Insulation: High temperature plastic UL 94V-0, Color Nature
- ⊙ Cover: High temperature plastic UL 94V-0, Color Black
- ⊙ Actuator designed easy for FFC/FPC installation and reliable operation
- ⊙ With metal fixed tabs to secure connector in place



RoHS Compliant



Ordering Code		①	②	③	④	⑤	⑥	⑦	⑧
		CF	50	23	F	D	0	RG	05 - NH

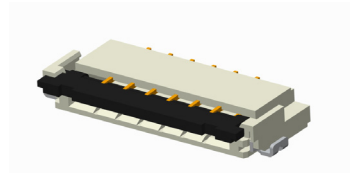
① Series No.
 ② No. of Circuits: 8, 23
 Circuits not found above please consult manufacturer
 ③ Plating Code:
 F = Gold flash over Nickel

④ Contact Style:
 D = Downside Contact
 ⑤ Color: 0 = Nature
 ⑥ Packing: RG = Tape & Reel

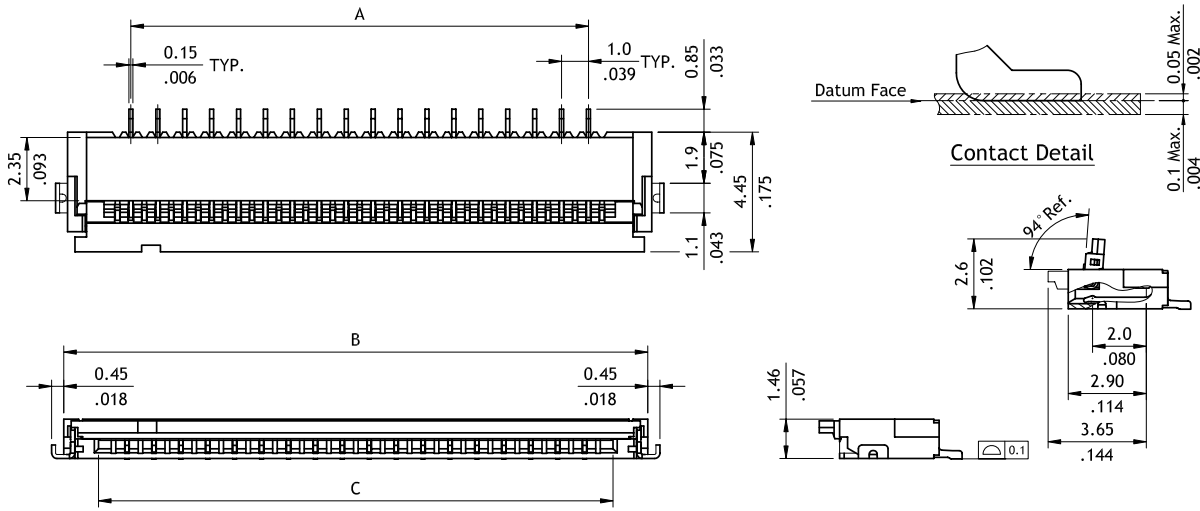
⑦ Pitch: 05 = 0.50 mm
 ⑧ NH = For Lead Free IR process and Halogen-Free

CF50 Series 1.00mm(.039")H=1.46 SMT ZIF One-Touch FFC/FPC Connectors

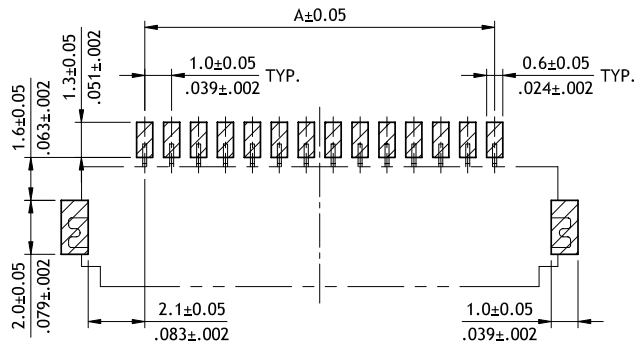
- ⊙ 1.46mm above the board
- ⊙ FFC/FPC zero insertion force and high retention force
- ⊙ Insulation: High temperature plastic UL 94V-0, Color Nature
- ⊙ Cover: High temperature plastic UL 94V-0, Color Black
- ⊙ Actuator designed easy for FFC/FPC installation and reliable operation
- ⊙ With metal fixed tabs to secure connector in place



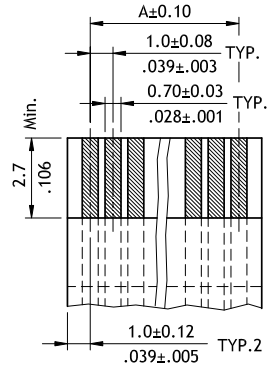
RoHS Compliant



A = 1.0 * No. of Spaces
 B = A + 4.7
 C = A + 2.12



Recommended PCB Layout



Accommodated FFC/FPC Thickness: 0.3±0.03

Ordering Code

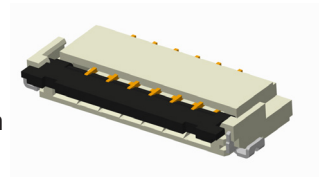
① ② ③ ④ ⑤ ⑥ ⑦ ⑧
CF 50 24 1 D 0 R0 - 10 - NH

- | | | |
|---|---|---|
| <p>① Series No.</p> <p>② No. of Circuits: 04 ~ 30
(Available: 4,6,8,10,12,18,24,26,30)
Circuits not found above please consult manufacturer</p> | <p>③ Plating Code:
1 = Matte Tin over Nickel
F = Gold flash over Nickel</p> <p>④ Contact Style:
D = Downside Contact</p> <p>⑤ Color: 0 = Nature</p> | <p>⑥ Packing:
R0 = Tape & Reel without Mylar
R1 = Tape & Reel with Mylar</p> <p>⑦ Pitch: 10 = 1.00 mm</p> <p>⑧ NH = For Lead Free IR process and Halogen-Free</p> |
|---|---|---|

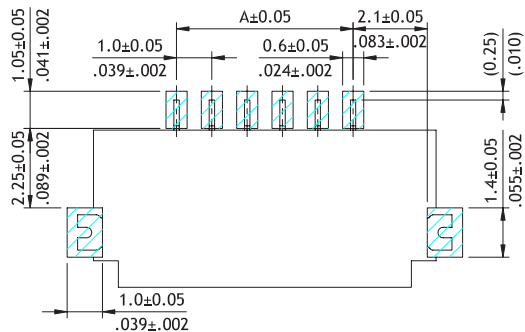
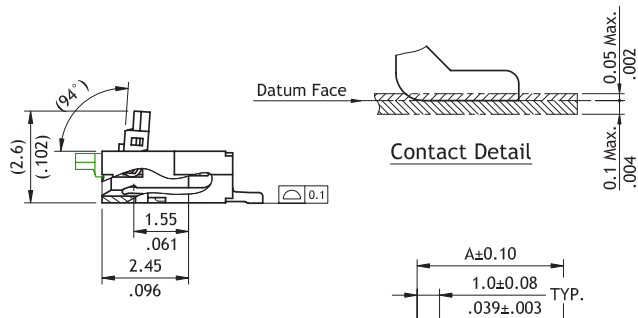
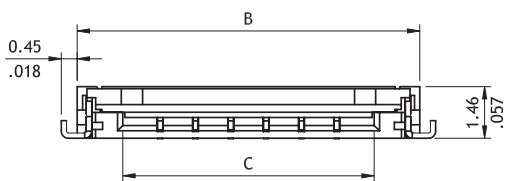
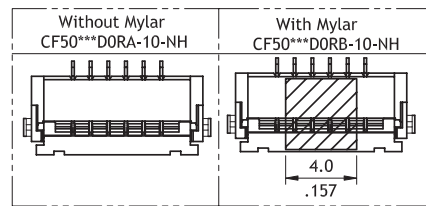
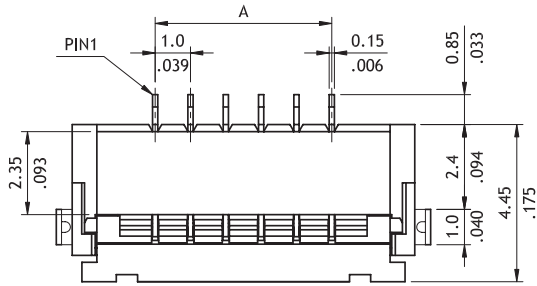
CF50 Series 1.00mm(.039")H=1.46 SMT ZIF One-Touch FFC/FPC Connectors

CF

- ⊙ 1.46mm above the board
- ⊙ FFC/FPC zero insertion force and high retention force
- ⊙ Insulation: High temperature plastic UL 94V-0, Color Nature
- ⊙ Cover: High temperature plastic UL 94V-0, Color Black
- ⊙ Actuator designed easy for FFC/FPC installation and reliable operation
- ⊙ With metal fixed tabs to secure connector in place

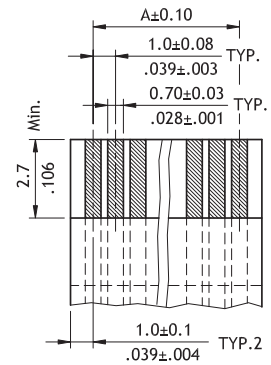


RoHS Compliant



Recommended PCB Layout

A = 1.0 * No. of Spaces
 B = A + 4.7
 C = A + 2.12



Accommodated FFC/FPC Thickness: 0.3±0.03

Ordering Code

① ② ③ ④ ⑤ ⑥ ⑦ ⑧
CF50081D0RA-10-NH

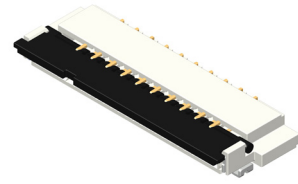
- ① Series No.
- ② No. of Circuits: 4, 6, 8,10
 Circuits not found above please consult manufacturer

- ③ Plating Code:
 1 = Matte Tin over Nickel
 F = Gold flash over Nickel
- ④ Contact Style:
 D = Downside Contact
- ⑤ Color : 0 = Nature

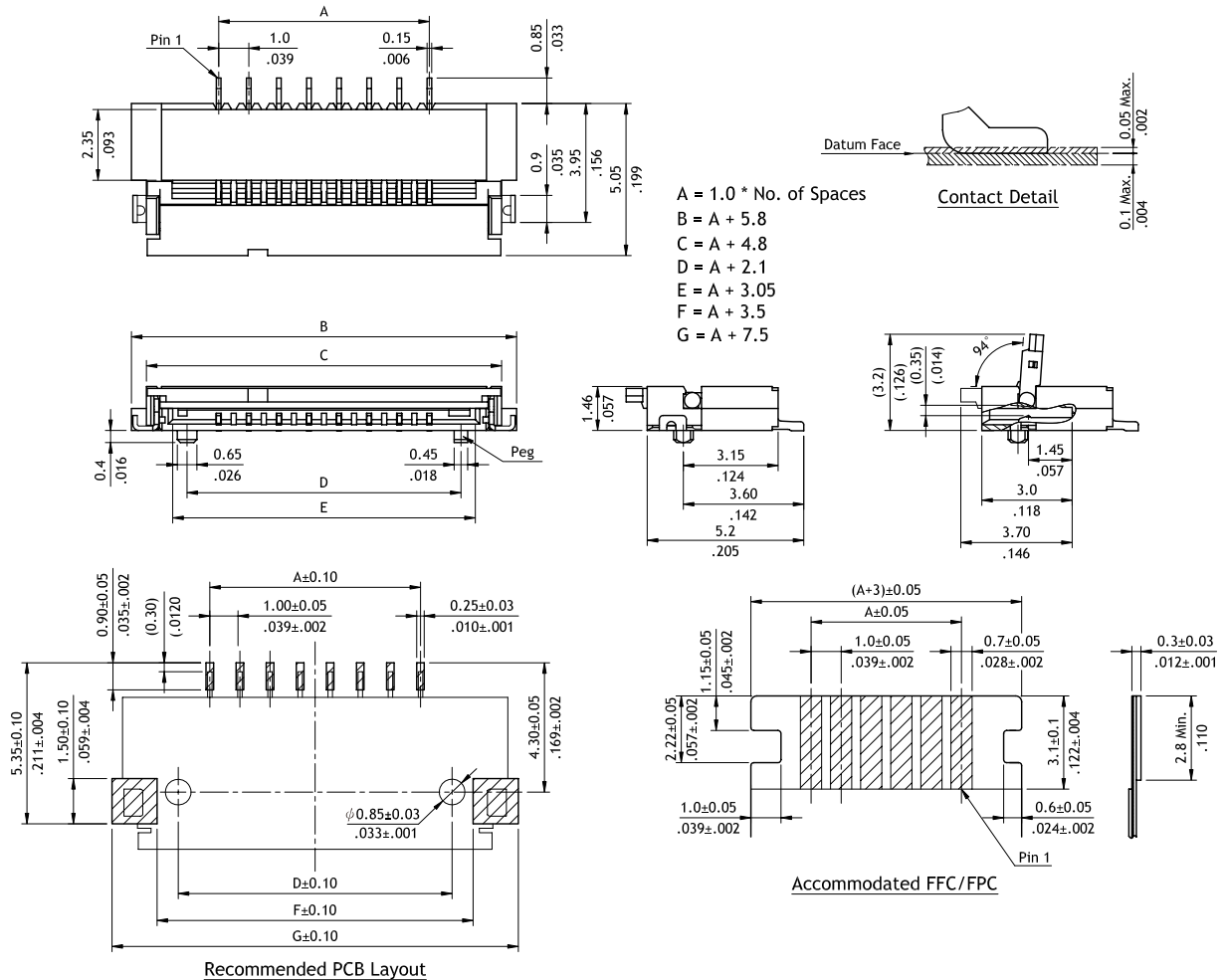
- ⑥ Packing:
 RA = Tape & Reel without Mylar
 RB = Tape & Reel with Mylar
- ⑦ Pitch: 10 = 1.00 mm
- ⑧ NH = For Lead Free IR process and Halogen-Free

CF50 Series 1.00mm(.039")H=1.46 SMT ZIF One-Touch FFC/FPC Connectors

- ⊙ 1.46mm above the board
- ⊙ FFC/FPC zero insertion force and high retention force
- ⊙ Insulation: High temperature plastic UL 94V-0, Color Nature
- ⊙ Cover: High temperature plastic UL 94V-0, Color Black
- ⊙ Actuator designed easy for FFC/FPC installation and reliable operation
- ⊙ With metal fixed tabs to secure connector in place



RoHS Compliant



Ordering Code

① ② ③ ④ ⑤ ⑥ ⑦ ⑧
CF 5 0 1 2 1 D 0 RE - 10 - NH

① Series No.

② No. of Circuits: 4, 12

Circuits not found above please consult manufacturer

③ Plating Code:

1 = Matte Tin over Nickel

F = Gold flash over Nickel

④ Contact Style:

D = Downside Contact

⑤ Color: 0 = Nature

⑥ Packing:

RE = Tape & Reel with Pegs

RD = Tape & Reel without Pegs

⑦ Pitch: 10 = 1.00 mm

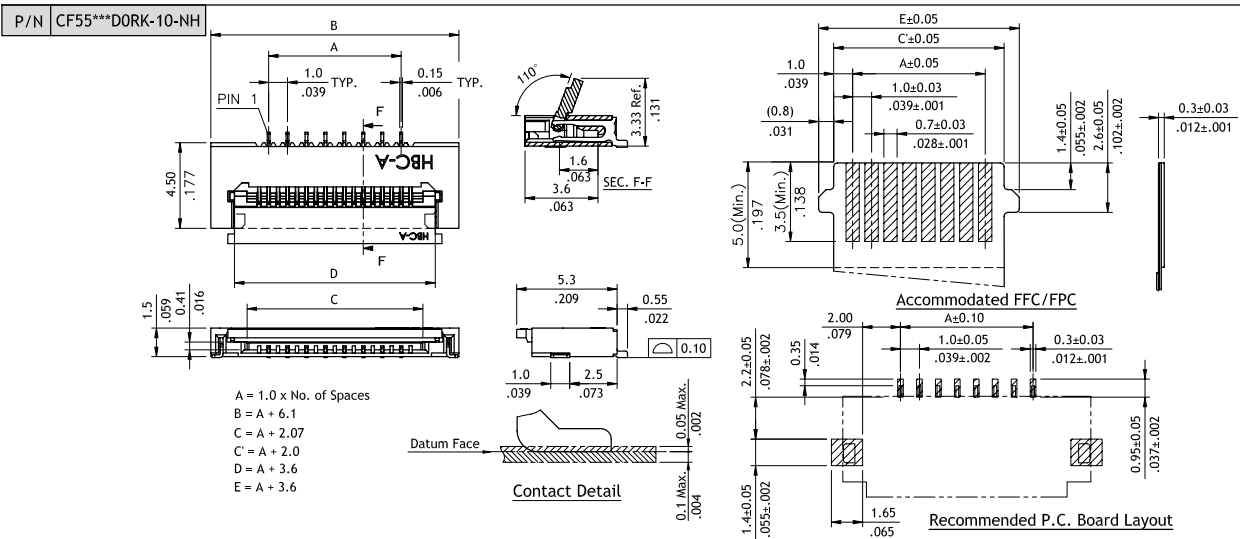
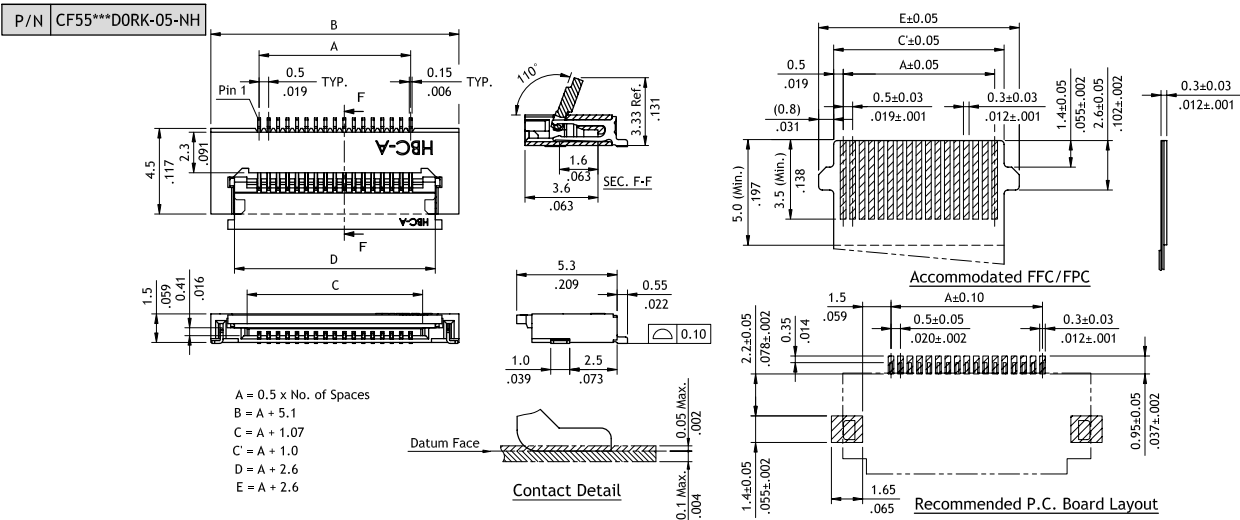
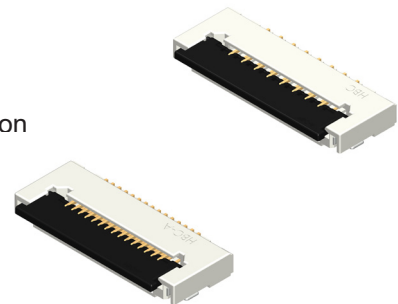
⑧ NH = For Lead Free IR process and Halogen-Free

CF50 Series 0.50/1.00mm(.020"/.039")H=1.5 SMT ZIF One-Touch FFC/FPC Connectors

CF

- ⊙ 1.50mm above the board
- ⊙ FFC/FPC zero insertion force and high retention force
- ⊙ Insulation: High temperature plastic UL 94V-0, Color Nature
- ⊙ Cover: High temperature plastic UL 94V-0, Color Black
- ⊙ Actuator designed easy for FFC/FPC installation and reliable operation
- ⊙ With metal fixed tabs to secure connector in place

RoHS Compliant

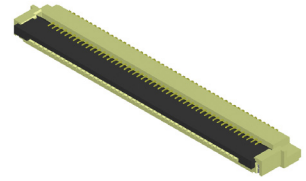


Ordering Code	①	②	③	④	⑤	⑥	⑦	⑧
	CF	50	10	1	D	0	RK	- 10 - NH
① Series No.								
② No. of Circuits:								
0.5 pitch :		12,20,22,26						
1.0 pitch :		10						
③ Plating Code:								
1 = Matte Tin over Nickel								
F = Gold flash over Nickel								
④ Contact Style:								
D = Downside Contact								
⑤ Color: 0 = Nature								
⑥ Packing:								
RK = Tape & Reel without Mylar								
⑦ Pitch: 10 = 1.00 mm								
05 = 0.50 mm								
⑧ NH = For Lead Free IR process and Halogen-Free								

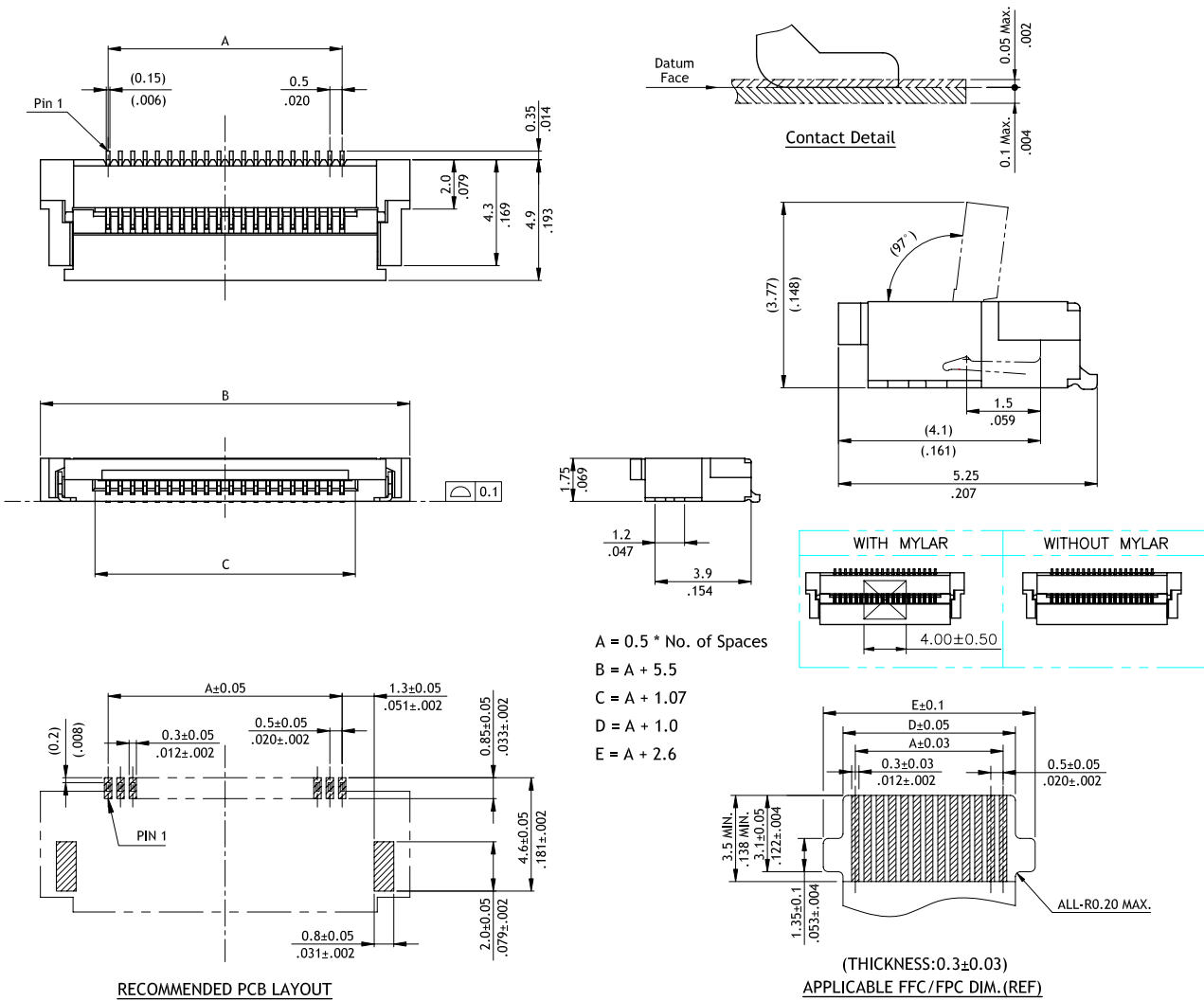
FFC & FPC CONNECTOR

CF61 Series 0.50mm(.020")H=1.75 SMT ZIF One-Touch FFC/FPC Connectors

- ⊙ 1.75mm above the board
- ⊙ FFC/FPC zero insertion force and high retention force
- ⊙ Insulation: High temperature plastic UL 94V-0, Color Nature
- ⊙ Cover: High temperature plastic UL 94V-0, Color Black
- ⊙ Actuator designed easy for FFC/FPC installation and reliable operation
- ⊙ With metal fixed tabs to secure connector in place



RoHS Compliant



Ordering Code

① ② ③ ④ ⑤ ⑥ ⑦ ⑧ ⑨
CF 6 1 4 0 1 D 0 R 0 - 05 - NH

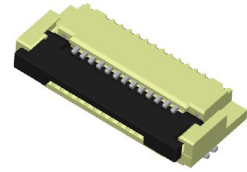
- ① Series No.
- ② No. of Circuits: 04 ~ 60
(Available : 4~10 , 12, 14, 16, 17, 20, 26, 30, 40, 44, 50, 60)
Circuits not found above please consult manufacturer

- ③ Plating Code:
1 = Matte Tin over Nickel
2 = Gold flash over Nickel
- ④ Contact Style:
D = Downside Contact
- ⑤ Color: 0 = Nature
- ⑥ Packing: R = Tape & Reel
T = Tube

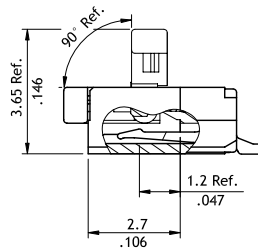
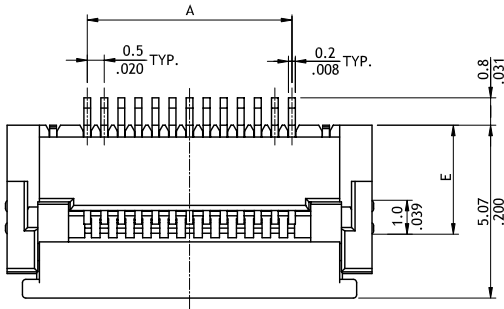
- ⑦ Other Options:
0 = Without Mylar
M = With Mylar
- ⑧ Pitch: 05 = 0.50 mm
- ⑨ NH = For Lead Free IR process and Halogen-Free

CF31 Series 0.50mm(.020")H=1.95 SMT ZIF One-Touch FFC/FPC Connectors

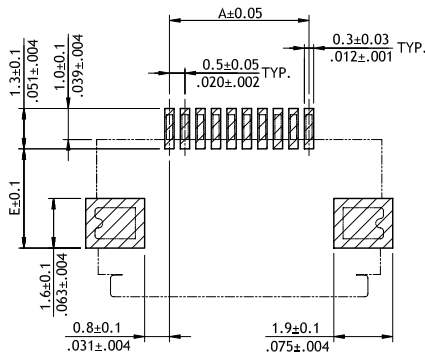
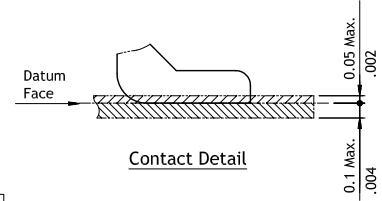
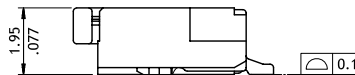
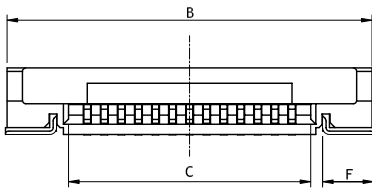
- ⊙ 1.95mm above the board
- ⊙ FFC/FPC zero insertion force and high retention force
- ⊙ Insulation: High temperature plastic UL 94V-0, Color Nature
- ⊙ Cover: High temperature plastic UL 94V-0, Color Black
- ⊙ Actuator designed easy for FFC/FPC installation and reliable operation
- ⊙ With metal fixed tabs to secure connector in place



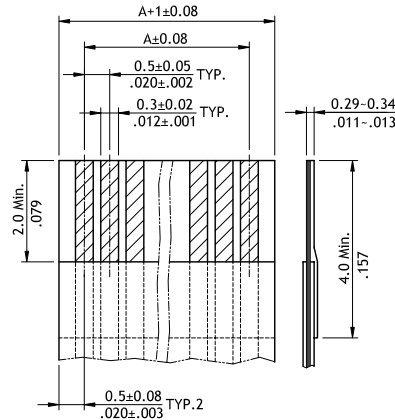
RoHS Compliant



A = 0.5 x No. of Spaces
 B = A + 4.7
 C = A + 1.1



Recommended PCB Layout



Accommodated FFC/FPC

Ordering Code

① CF 3 1 ② 6 1 ③ 1 ④ D ⑤ 0 ⑥ R ⑦ 0 - 05 - ⑧ NH

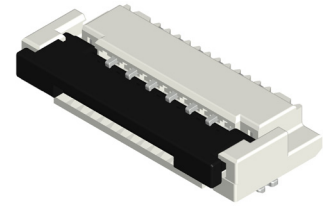
- ① Series No.
- ② No. of Circuits: 04 ~ 61
Circuits not found above please consult manufacturer
- ③ Plating Code:
1 = Matte Tin over Nickel
2 = Selective Gold flash over Nickel

- ④ Contact Style:
D = Downside Contact
- ⑤ Color: 0 = Nature
- ⑥ Packing: R = Tape & Reel

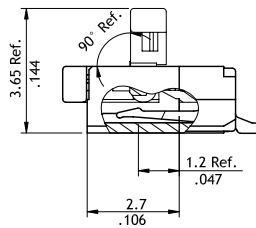
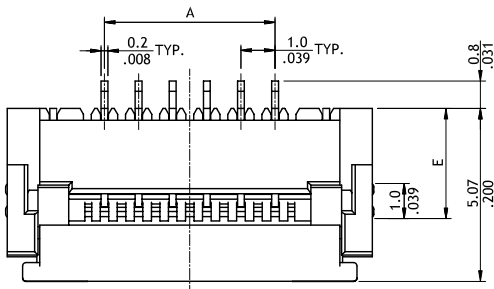
- ⑦ Other Options:
0 = Without Mylar, E=3.20mm, F=1.40
1=With Mylar, E=3.20mm, F=1.40
2 = Without Mylar, E=2.85mm, F=1.50
3=With Mylar, E=2.85mm, F=1.50
- ⑧ Pitch: 05 = 0.50 mm
- ⑨ NH = For Lead Free IR process and Halogen-Free

CF31 Series 1.00mm(.039")H=1.95 SMT ZIF One-Touch FFC/FPC Connectors

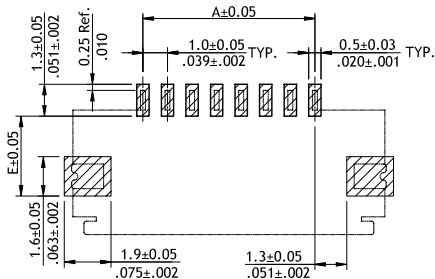
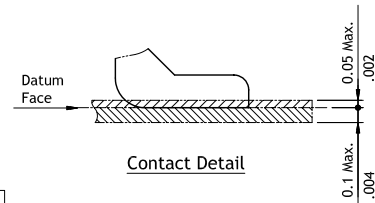
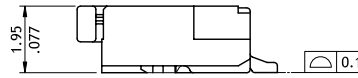
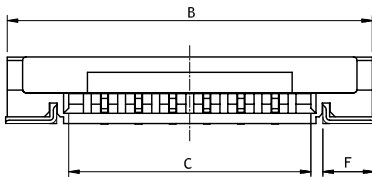
- ⊙ 1.95mm above the board
- ⊙ FFC/FPC zero insertion force and high retention force
- ⊙ Insulator: High temperature plastic UL 94V-0, Color Nature
- ⊙ Cover: High temperature plastic UL 94V-0, Color Black
- ⊙ Designed easy for FFC/FPC installation and reliable operation
- ⊙ With metal fixed tabs to secure connector in place



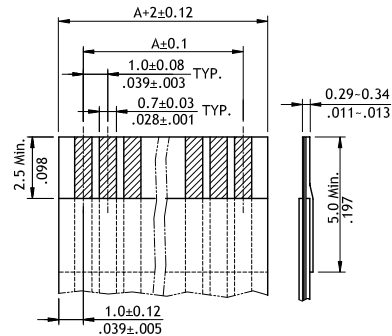
RoHS Compliant



A = 1.0 x No. of Spaces
 B = A + 5.7
 C = A + 2.1



Recommended PCB Layout



Accommodated FFC/FPC

Ordering Code

① ② ③ ④ ⑤ ⑥ ⑦ ⑧ ⑨
CF 3 1 3 0 1 D 0 R 0 - 10 - NH

- ① Series No.
- ② No. of Circuits: 04 ~ 30
 Circuits not found above please consult manufacturer
- ③ Plating Code:
 1 = Matte Tin over Nickel
 2 = Gold flash over Nickel

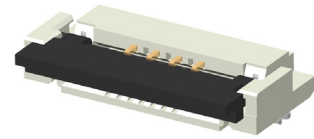
- ④ Contact Style:
 D = Downside Contact
- ⑤ Color: 0 = Nature
- ⑥ Packing: R = Tape & Reel

- ⑦ Other Options:
 0 = Without Mylar, E=3.20mm,F=1.40
 1=With Mylar, E=3.20mm,F=1.40
 2 = Without Mylar, E=2.85mm,F=1.50
 3=With Mylar, E=2.85mm,F=1.50
- ⑧ Pitch: 10 = 1.00 mm
- ⑨ NH = For Lead Free IR process and Halogen-Free

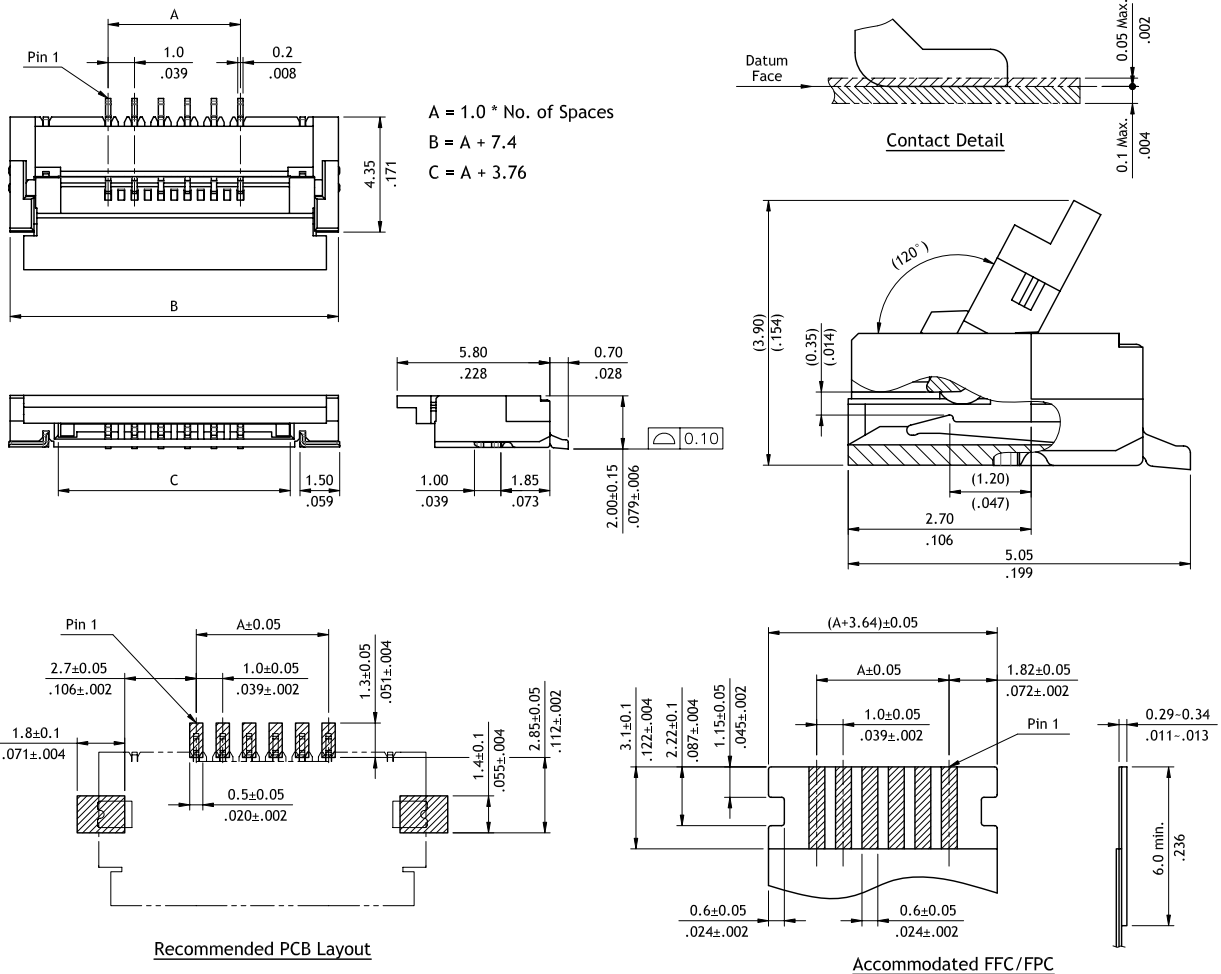
CF31 Series 1.00mm(.039")H=2.00 SMT ZIF One-Touch FFC/FPC Connectors

CF

- ⊙ 2.00 mm above the board
- ⊙ FFC/FPC zero insertion force and high retention force
- ⊙ Insulator: High temperature plastic UL 94V-0, Color Nature
- ⊙ Cover: High temperature plastic UL 94V-0, Color Black
- ⊙ Designed easy for FFC/FPC installation and reliable operation
- ⊙ With metal fixed tabs to secure connector in place



RoHS Compliant



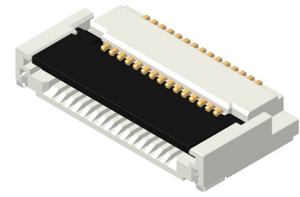
Ordering Code	①	②	③	④	⑤	⑥	⑦	⑧	⑨
	CF	31	04	1	D	0	R	J	- 10 - NH

① Series No.
 ② No. of Circuits: 04 ~ 31 (Available: 4, 6, 12)
 Circuits not found above please consult manufacturer
 ③ Plating Code:
 2 = Gold flash over Nickel
 ④ Contact Style:
 D = Downside Contact
 ⑤ Color: 0 = Nature
 ⑥ Packing: R = Tape & Reel
 ⑦ Other Options:
 J = With Inner Lock
 ⑧ Pitch: 10 = 1.00 mm
 ⑨ NH = For Lead Free IR process and Halogen-Free

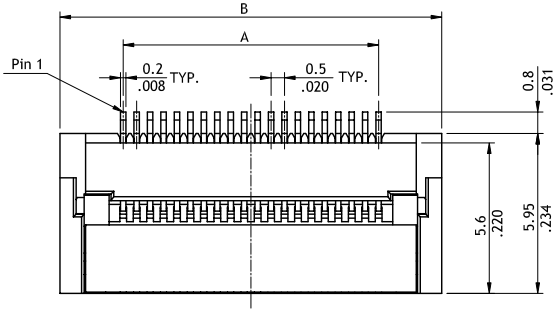
FFC & FPC CONNECTOR

CF34 Series 0.50mm(.020")H=1.95 SMT ZIF One-Touch FFC/FPC Connectors

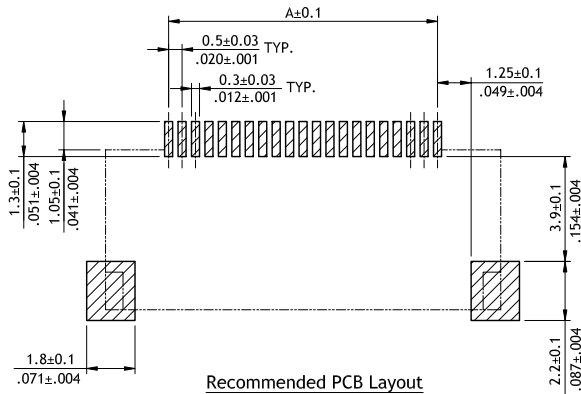
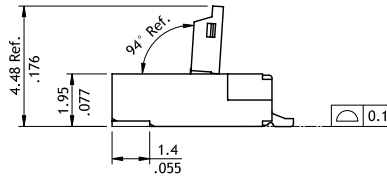
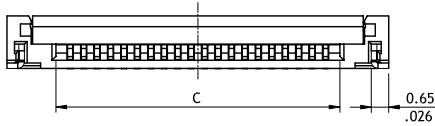
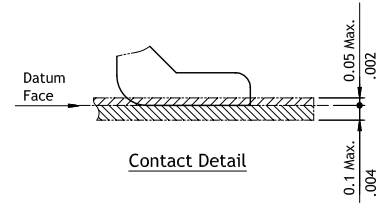
- ⊙ 1.95mm above the board
- ⊙ FFC/FPC zero insertion force and high holding force
- ⊙ Insulation: High temperature plastic UL 94V-0, Color Nature
- ⊙ Cover: High temperature plastic UL 94V-0, Color Black
- ⊙ Actuator designed easy for FFC/FPC installation and reliable operation
- ⊙ With metal fixed tabs to secure connector in place



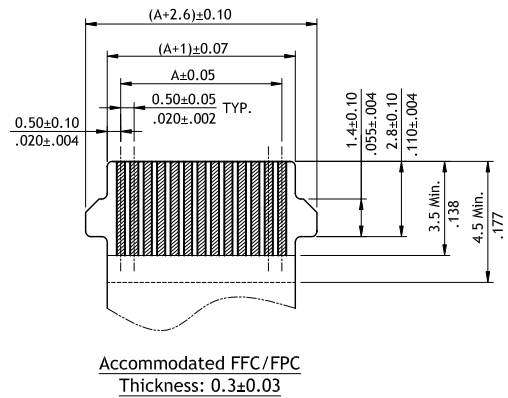
RoHS Compliant



A = 0.5 x No. of Spaces
 B = A + 4.7
 C = A + 1.06



Recommended PCB Layout



Accommodated FFC/FPC
 Thickness: 0.3±0.03

Ordering Code

① ② ③ ④ ⑤ ⑥ ⑦ ⑧ ⑨
CF 3 4 0 6 1 D 0 R 0 - 05 - NH

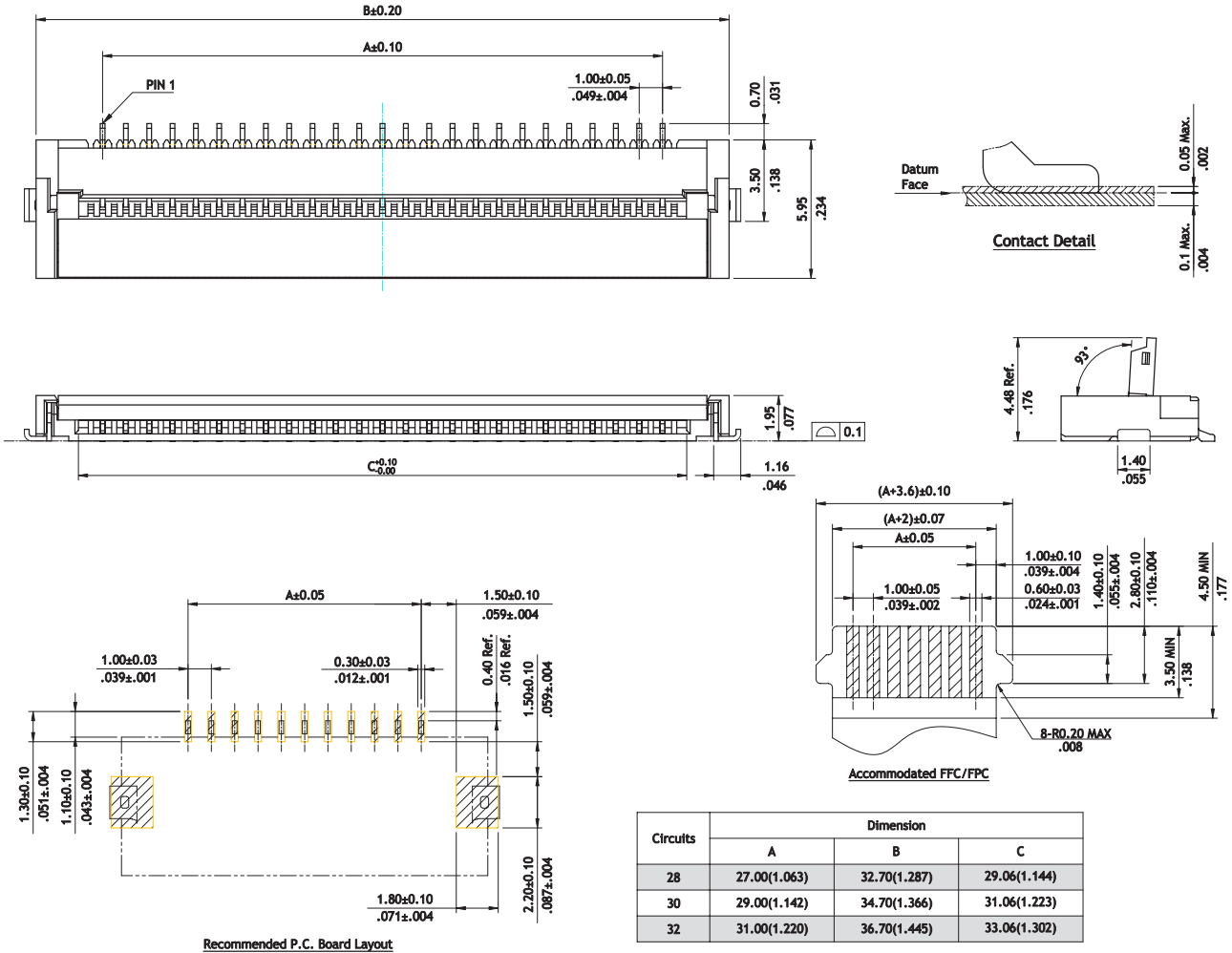
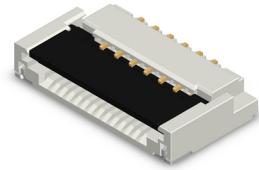
- ① Series No.
- ② No. of Circuits: 04 ~ 60 (Available: 6,18,54)
 Circuits not found above please consult manufacturer
- ③ Plating Code:
 1 = Matte Tin over Nickel
 2 = Gold flash over Nickel

- ④ Contact Style:
 D = Downside Contact
- ⑤ Color: 0 = Nature
- ⑥ Packing: R = Tape & Reel

- ⑦ Other Options:
 0 = Without Mylar (Standard)
 *Special options consult manufacturer
- ⑧ Pitch: 05 = 0.50 mm
- ⑨ NH = For Lead Free IR process and Halogen-Free

CF34 Series 1.00mm(.039")H=1.95 SMT ZIF One-Touch FFC/FPC Connectors

- ⊙ 1.95mm above the board
- ⊙ FFC/FPC zero insertion force and high holding force
- ⊙ Insulation: High temperature plastic UL 94V-0, Color Nature
- ⊙ Cover: High temperature plastic UL 94V-0, Color Black
- ⊙ Actuator designed easy for FFC/FPC installation and reliable operation
- ⊙ With metal fixed tabs to secure connector in place



Ordering Code

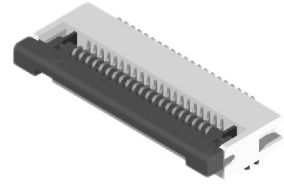
① ② ③ ④ ⑤ ⑥ ⑦ ⑧ ⑨

CF 3 4 3 0 1 D 0 R B - 1 0 - NH

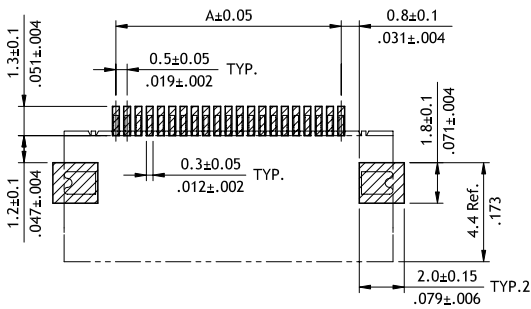
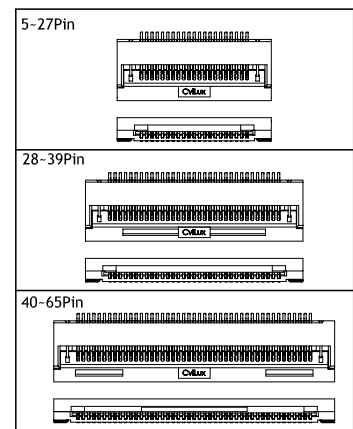
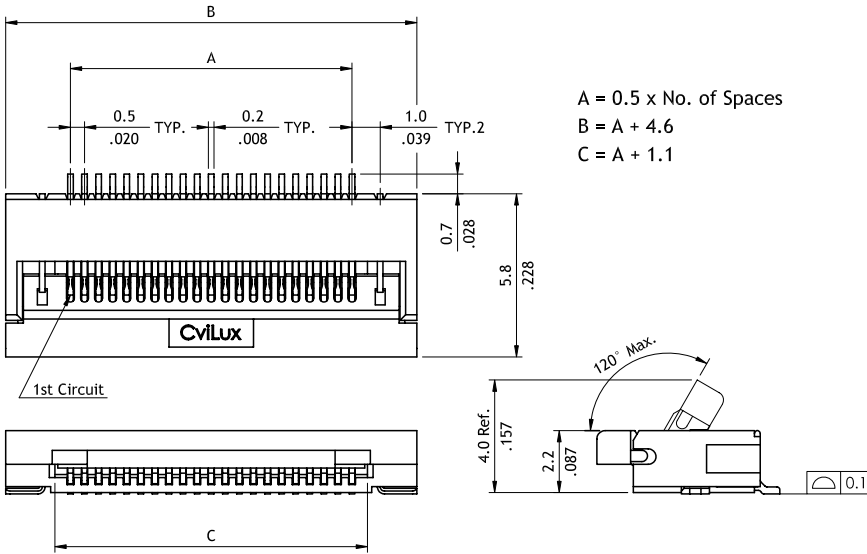
- ① Series No.
- ② No. of Circuits: 04 ~ 60
(Available: 28,30,32)
Circuits not found above please consult manufacturer
- ③ Plating Code:
1 = Matte Tin over Nickel
F = 0.8μ"Gold flash over Nickel
- ④ Contact Style:
D = Downside Contact
- ⑤ Color: 0 = Nature
- ⑥ Packing: R = Tape & Reel
- ⑦ Other Options:
B = Without Mylar (Standard)
- ⑧ Pitch: 10 = 1.00 mm
- ⑨ NH = For Lead Free IR process and Halogen-Free

CF25 Series 0.50mm (.020")H=2.20 SMT ZIF One-Touch FFC/FPC Connectors

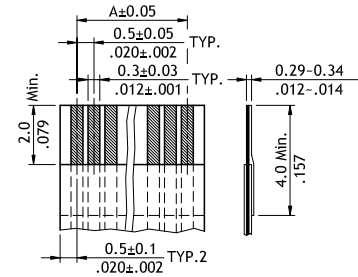
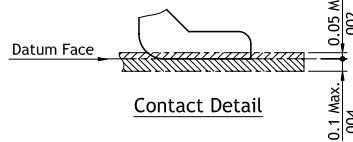
- ⊙ 2.2mm above the board
- ⊙ FFC/FPC zero insertion force and high retention force
- ⊙ Insulator: High temperature plastic UL 94V-0, Color Nature
- ⊙ Cover: High temperature plastic UL 94V-0, Color Black
- ⊙ Designed easy for FFC/FPC installation and reliable operation
- ⊙ With metal fixed tabs to secure connector in place



RoHS Compliant



Recommended PCB Layout



Accommodated FFC/FPC

Ordering Code

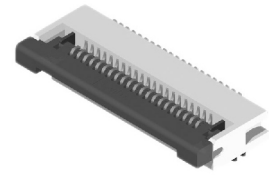
① ② ③ ④ ⑤ ⑥ ⑦ ⑧ ⑨
CF 2 5 6 5 1 D 0 R 0 - 0 5 - NH

- ① Series No.
- ② No. of Circuits: 05 ~ 65
Circuits not found above please consult manufacturer
- ③ Plating Code:
1 = Matte Tin over Nickel
F = Selective Gold flash over Nickel
- ④ Contact Style:
D = Downside Contact
- ⑤ Color: 0 = Nature
- ⑥ Packing : R = Tape & Reel
T = Tube
- ⑦ Other Options: 0 = Standard
*Special option consult manufacturer
- ⑧ Pitch: 05 = 0.50 mm
- ⑨ NH = For Lead Free IR process and Halogen-Free

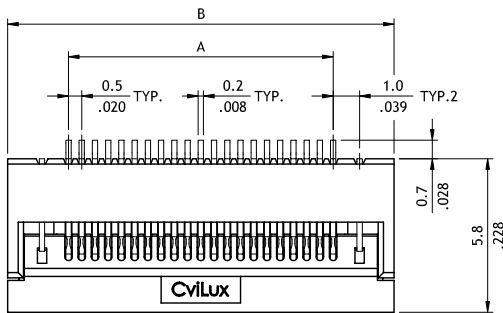
CF25 Series 0.50mm (.020")H=2.20 SMT ZIF One-Touch FFC/FPC Connectors

CF

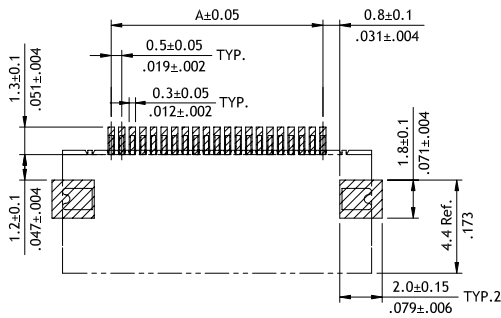
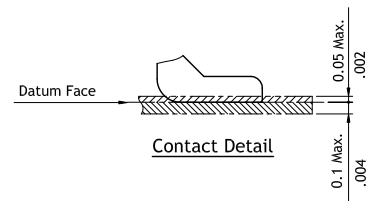
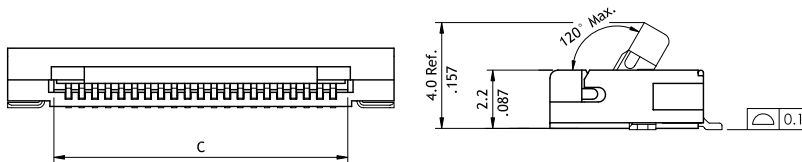
- ⊙ 2.2mm above the board
- ⊙ FFC/FPC zero insertion force and high retention force
- ⊙ Insulator: High temperature plastic UL 94V-0, Color Nature
- ⊙ Cover: High temperature plastic UL 94V-0, Color Black
- ⊙ Designed easy for FFC/FPC installation and reliable operation
- ⊙ With metal fixed tabs to secure connector in place



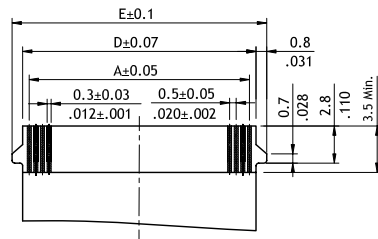
RoHS Compliant



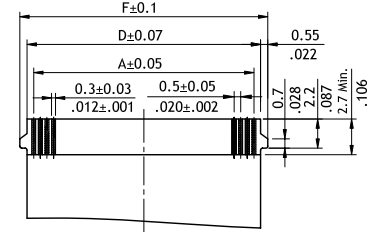
A = 0.5 x No. of Spaces
 B = A + 4.6
 C = A + 1.1
 D = A + 1.0
 E = A + 2.6
 F = A + 2.1



Recommended PCB Layout



Accommodated FFC/FPC (TYPE1)



Accommodated FFC/FPC (TYPE2)

Ordering Code

① ② ③ ④ ⑤ ⑥ ⑦ ⑧ ⑨
CF 2 5 6 5 1 D 0 R E 0 5 - NH

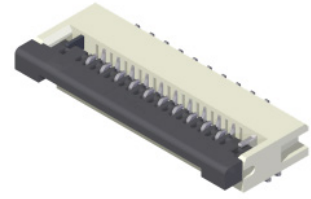
- ① Series No.
- ② No. of Circuits: 05 ~ 65
Circuits not found above please consult manufacturer
- ③ Plating Code:
1 = Matte Tin over Nickel
F = Selective Gold flash over Nickel

- ④ Contact Style:
D = Downside Contact
- ⑤ Color: 0 = Nature
- ⑥ Packing :
R = Tape & Reel
T = Tube

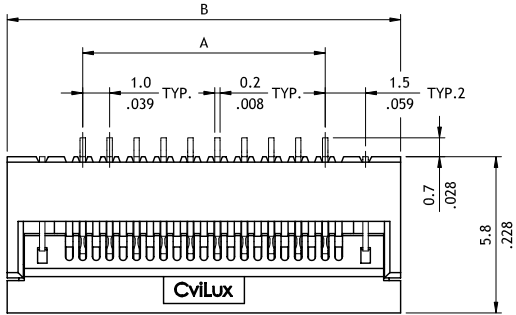
- ⑦ Other Options:
D: Accommodated FFC/FPC (Type 1)
E: Accommodated FFC/FPC (Type 2)
- ⑧ Pitch: 05 = 0.50 mm
- ⑨ NH = For Lead Free IR process and Halogen-Free

CF25 Series 1.00mm (.039")H=2.20 SMT ZIF One-Touch FFC/FPC Connectors

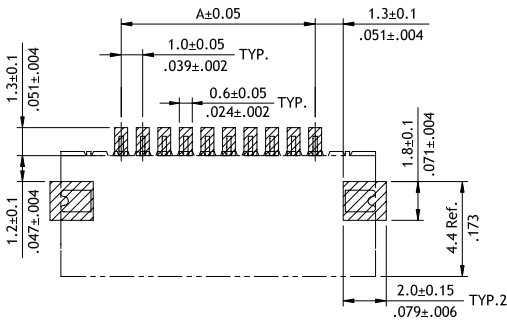
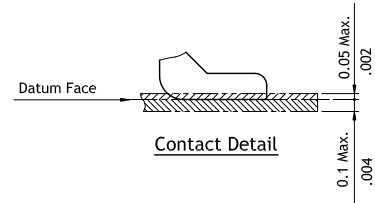
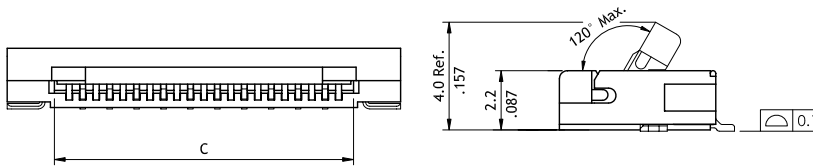
- ⊙ 2.2mm above the board
- ⊙ FFC/FPC zero insertion force and high retention force
- ⊙ Insulator: High temperature plastic UL 94V-0, Color Nature
- ⊙ Cover: High temperature plastic UL 94V-0, Color Black
- ⊙ Actuator designed easy for FFC/FPC installation and reliable operation
- ⊙ With metal fixed tabs to secure connector in place



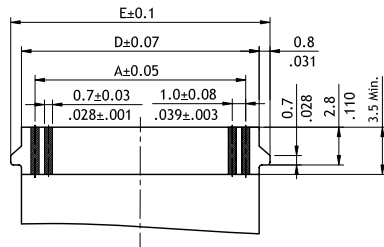
RoHS Compliant



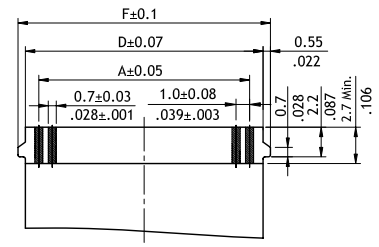
- A = 1.0 x No. of Spaces
- B = A + 5.6
- C = A + 2.1
- D = A + 2.0
- E = A + 3.6
- F = A + 3.1



Recommended PCB Layout



Accommodated FFC/FPC (TYPE1)



Accommodated FFC/FPC (TYPE2)

Ordering Code

① ② ③ ④ ⑤ ⑥ ⑦ ⑧ ⑨
CF 2 5 3 2 1 D 0 R D - 10 - NH

- ① Series No.
- ② No. of Circuits: 04 ~32
Circuits not found above please consult manufacturer
- ③ Plating Code:
1 = Matte Tin over Nickel
F = Selective Gold flash over Nickel

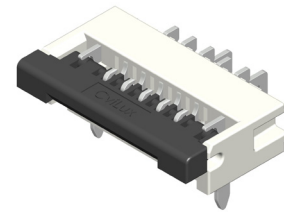
- ④ Contact Style:
D = Downside Contact
- ⑤ Color: 0 = Nature
- ⑥ Packing:
R = Tape & Reel
T = Tube

- ⑦ Other Options:
D = Accommodated FFC/FPC (Type 1)
E = Accommodated FFC/FPC (Type 2)
- ⑧ Pitch: 10 = 1.00 mm
- ⑨ NH = For Lead Free IR process and Halogen-Free

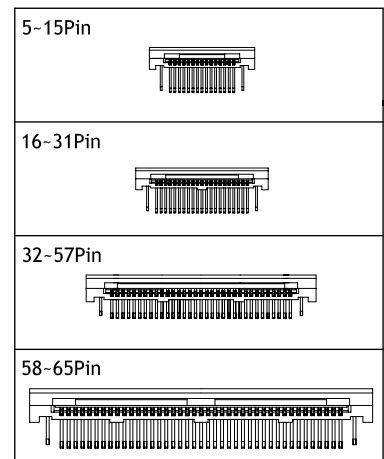
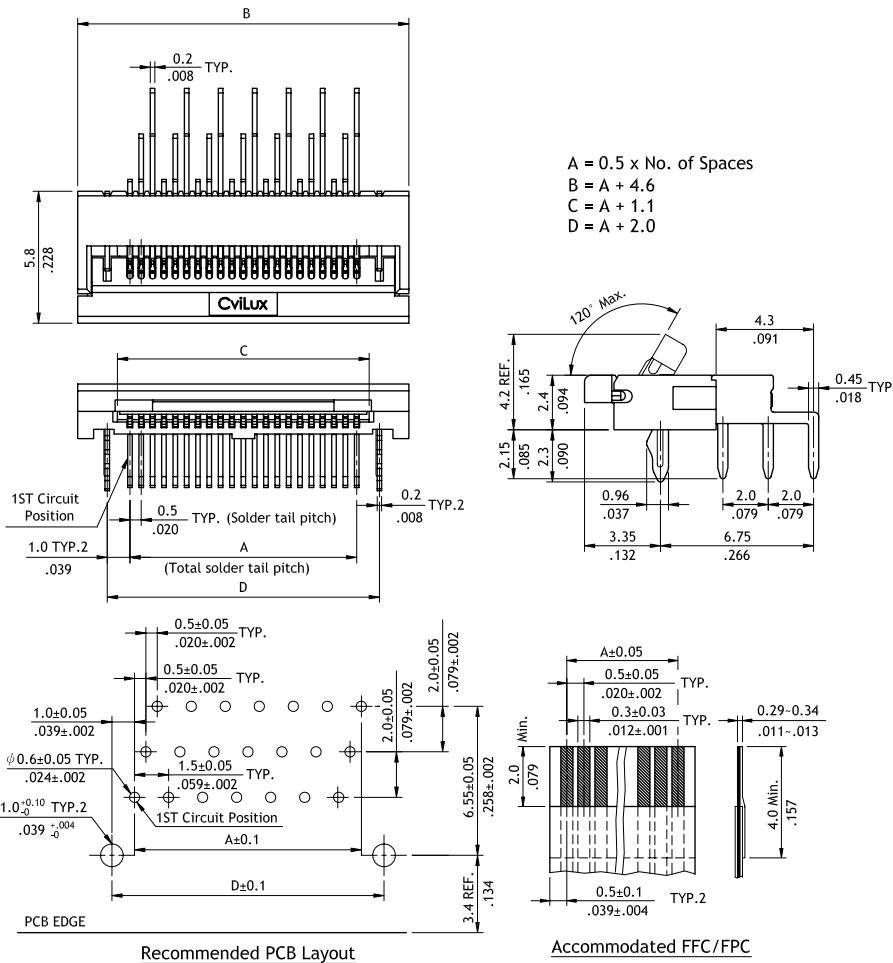
CF25 Series 1.00mm(.039")H=2.40 DIP ZIF One-Touch FFC/FPC Connectors

CF

- ⊙ 2.4mm above the board
- ⊙ FFC/FPC zero insertion force and high retention force
- ⊙ Insulator: High temperature plastic UL 94V-0, Color Nature
- ⊙ Cover: High temperature plastic UL 94V-0, Color Black
- ⊙ With metal Pegs



RoHS Compliant



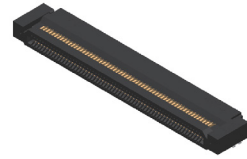
Ordering Code	①	②	③	④	⑤	⑥	⑦	⑧	⑨
	CF	25	32	1	H	0	T	0	- 10 - NH

① Series No.
 ② No. of Circuits: 04 ~ 32
 Circuits not found above please consult manufacturer
 ③ Plating Code:
 1 = Matte Tin over Nickel
 2 = Gold flash over Nickel
 ④ Contact Style:
 H = Right Angle DIP Type (Downside Contact)
 ⑤ Color: 0 = Nature
 ⑥ Packing : T = Tube
 ⑦ Other Options: 0 = Standard
 *Special option consult manufacturer
 ⑧ Pitch: 10 = 1.00 mm
 ⑨ NH = For Lead Free IR process and Halogen-Free

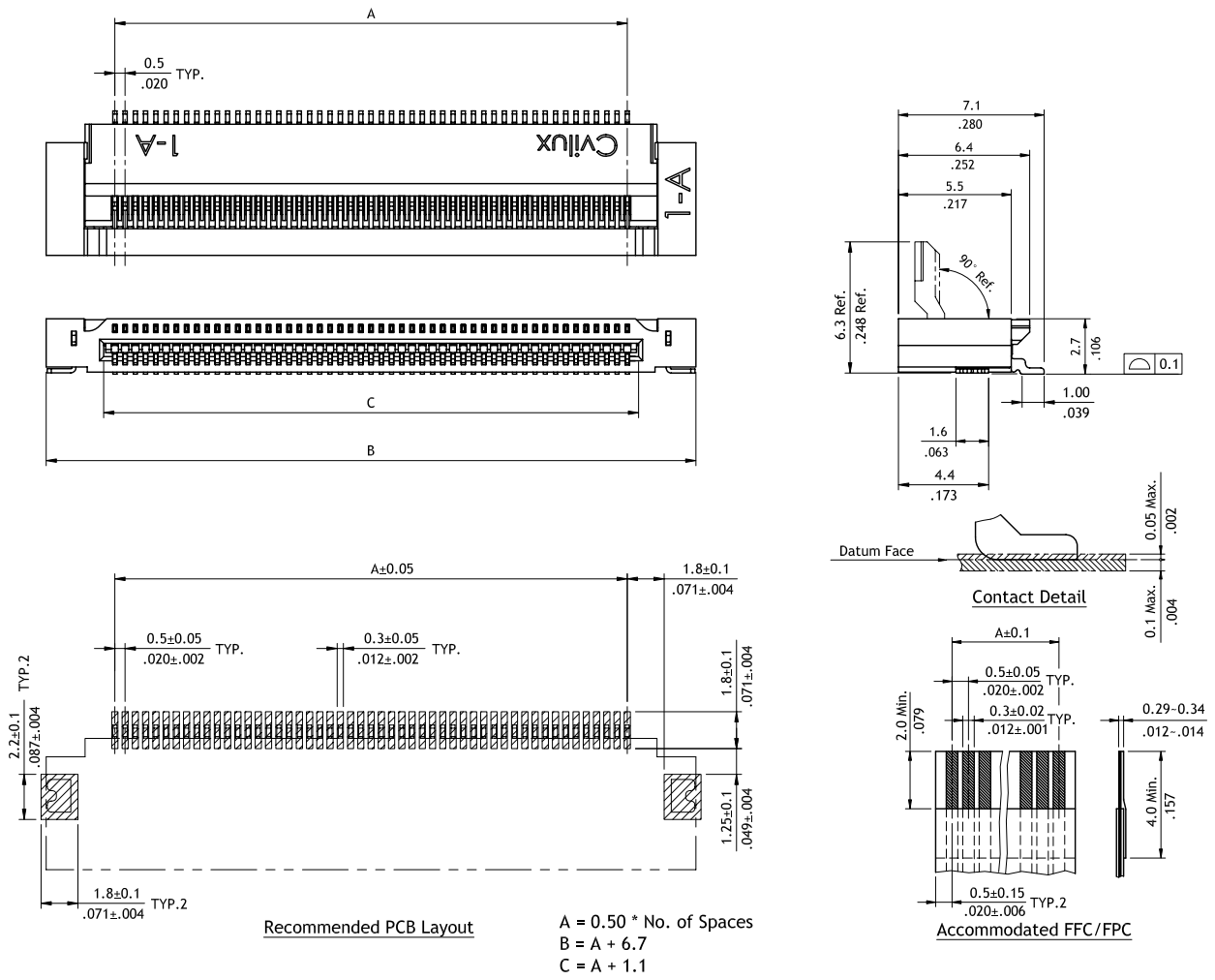
FFC & FPC CONNECTOR

CF11 Series 0.50mm(.039")H=2.70 SMT ZIF FFC/FPC Connectors (Back Flip actuator)

- ⊙ 2.7mm above the board
- ⊙ Copper alloy dual contacts
- ⊙ Insulator: High temperature plastic UL 94V-0, Color Black
- ⊙ Cover: High temperature plastic UL 94V-0, Color Black
- ⊙ With metal fixed tabs to secure connector in place



RoHS Compliant 



Ordering Code

① ② ③ ④ ⑤ ⑥ ⑦ ⑧ ⑨
CF 1 1 5 1 2 D 1 R A - 05 - NH

① Series No.

② No. of Circuits: 04 ~ 60
 (Available: 5,8,20,26,41,45, 50,51)

Circuits not found above please consult manufacturer

③ Plating Code:

2 = Gold flash over Nickel

④ Contact Style:

D = Downside Contact

⑤ Color: 1 = Black

⑥ Packing: R = Tape & Reel
 T = Tube

⑦ Other Options: A = Standard

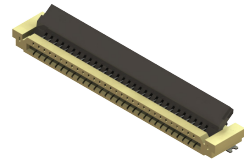
⑧ Pitch: 05 = 0.50 mm

⑨ NH = For Lead Free IR process and Halogen-Free

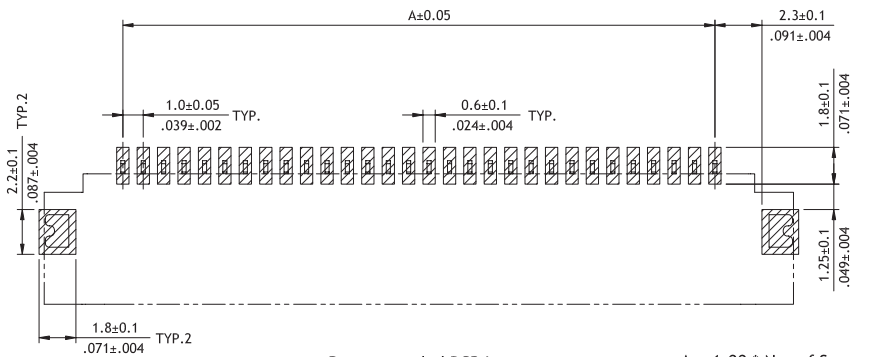
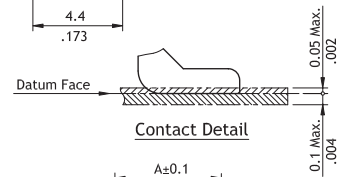
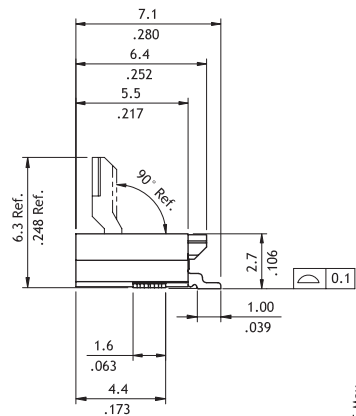
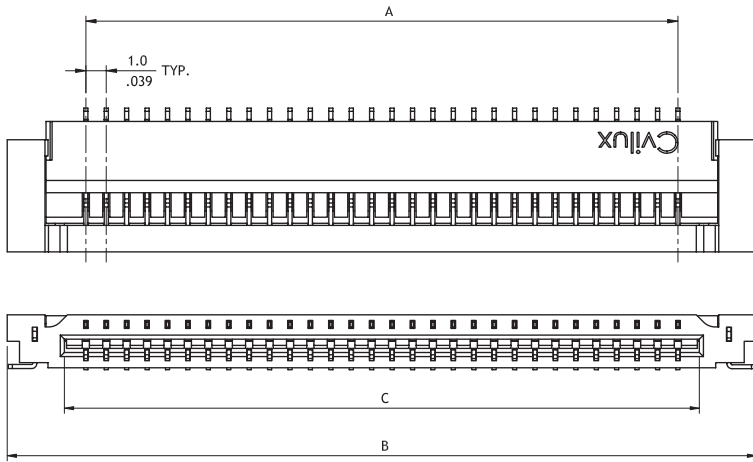
CF11 Series 1.00mm(.039")H=2.70 SMT ZIF FFC/FPC Connectors (Back Flip actuator)

CF

- ⊙ 2.7mm above the board
- ⊙ Copper alloy dual contacts
- ⊙ Insulator: High temperature plastic UL 94V-0, Color Nature
- ⊙ Cover: High temperature plastic UL 94V-0, Color Black
- ⊙ With metal fixed tabs to secure connector in place

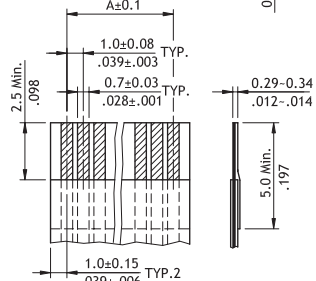


RoHS Compliant



Recommended PCB Layout

A = 1.00 * No. of Spaces
 B = A + 7.7
 C = A + 2.1



Accommodated FFC/FPC

Ordering Code	①	②	③	④	⑤	⑥	⑦	⑧	⑨
	CF	11	30	2	D	0	R	A	- 10 - NH

<p>① Series No.</p> <p>② No. of Circuits: 04 ~ 30 (Available: 8,30) *Circuits not found above please consult manufacturer*</p>	<p>③ Plating Code: 2 = Gold flash over Nickel</p> <p>④ Contact Style: D = Downside Contact</p> <p>⑤ Color: 0 = Nature</p> <p>⑥ Packing: R = Tape & Reel T = Tube</p>	<p>⑦ Other Options: A = Standard</p> <p>⑧ Pitch: 10 = 1.00 mm</p> <p>⑨ NH = For Lead Free IR process and Halogen-Free</p>
--	--	---

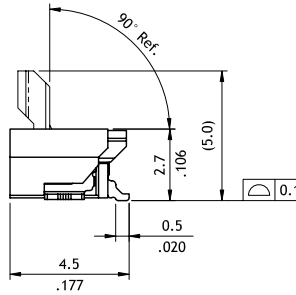
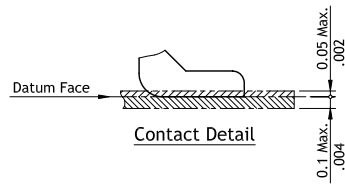
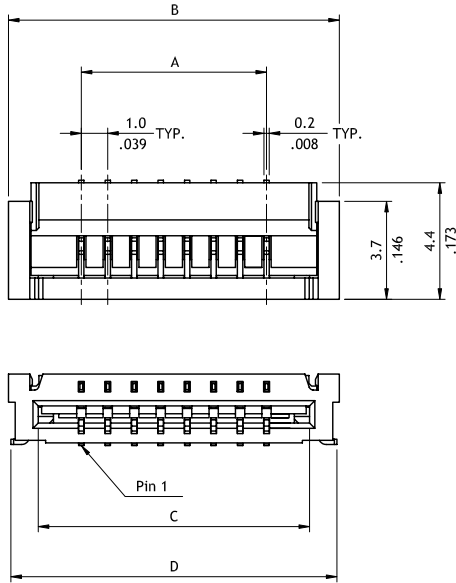
FFC & FPC CONNECTOR

CF11 Series 1.00mm(.039")H=2.70 SMT ZIF FFC/FPC Connectors (Back Flip actuator)

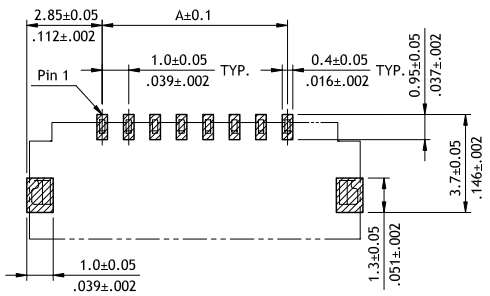
- ⊙ 2.7mm above the board
- ⊙ Copper alloy dual contacts
- ⊙ Insulator: High temperature plastic UL 94V-0, Color Nature
- ⊙ Cover: High temperature plastic UL 94V-0, Color Black
- ⊙ With metal fixed tabs to secure connector in place



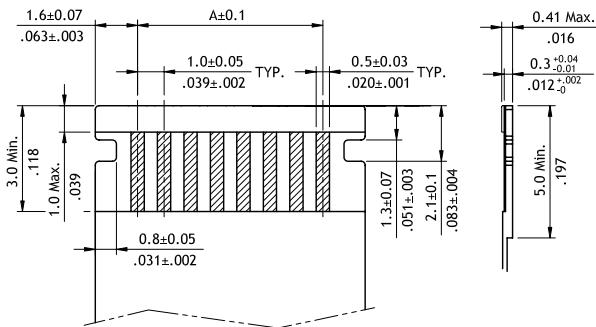
RoHS Compliant



A = 1.0 * No. of Spaces
 B = A + 5.5
 C = A + 3.25
 D = A + 5.3



Recommended PCB Layout



Accommodated FFC/FPC

Ordering Code

① ② ③ ④ ⑤ ⑥ ⑦ ⑧ ⑨
CF 1 1 0 8 1 D 0 R C - 10 - NH

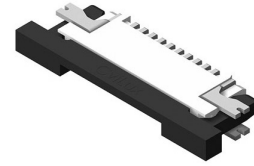
- ① Series No.
- ② No. of Circuits: 04 ~ 20 (Available: 8/10/15)
Circuits not found above please consult manufacturer

- ③ Plating Code:
1 = Matte Tin over Nickel
- ④ Contact Style:
D = Downside Contact
- ⑤ Color: 0 = Nature
- ⑥ Packing: R = Tape & Reel
T = Tube

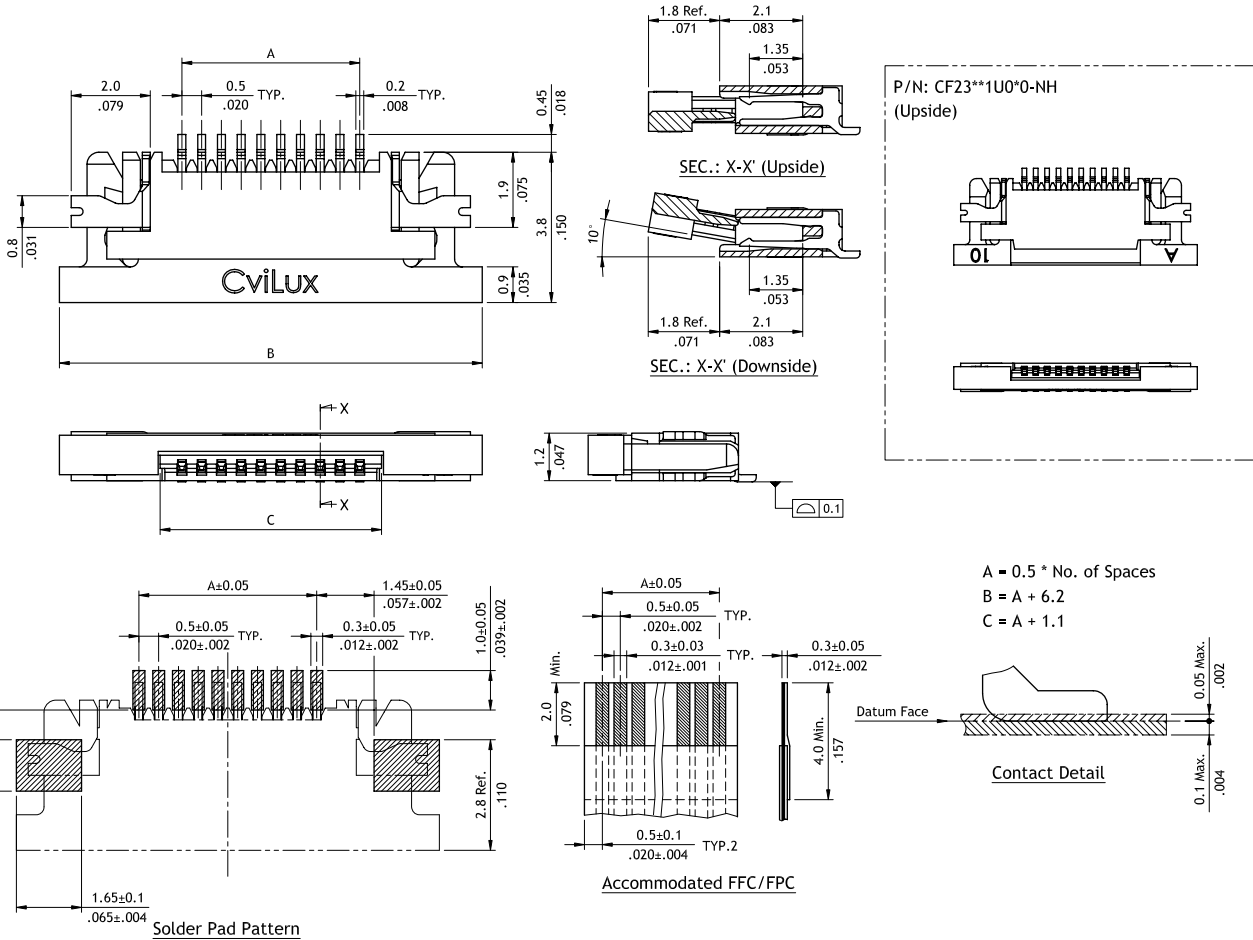
- ⑦ Other Options:
C = Type C
*Special option consult manufacturer
- ⑧ Pitch: 10 = 1.00 mm
- ⑨ NH = For Lead Free IR process and Halogen-Free

CF23 Series 0.50mm(.020") H=1.20 SMT ZIF FFC/FPC Connectors

- ⊙ 1.2mm above the board
- ⊙ Insulator: High temperature plastic UL 94V-0, Color Nature
- ⊙ Slider: High temperature plastic UL 94V-0, Color Black
- ⊙ Fully checked by CCD and Hi-Pot test
- ⊙ With metal fixed tabs to secure connector in place



RoHS Compliant



Ordering Code		①	②	③	④	⑤	⑥	⑦	⑧
		CF	23	40	1	U	0	R	0 - NH

① Series No.
 ② No. of Circuits: 04 ~ 40 (Available: 4~40)
 Circuits not found above please consult manufacturer

③ Plating Code:
 1 = Matte Tin over Nickel

④ Contact Style:
 U = Upside Contact
 D = Downside Contact

⑤ Color: 0 = Nature

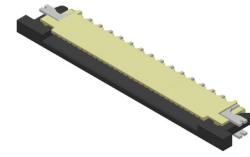
⑥ Packing: R = Tape & Reel
 T = Tube

⑦ Other Options: 0 = Standard
 * Special options consult manufacturer

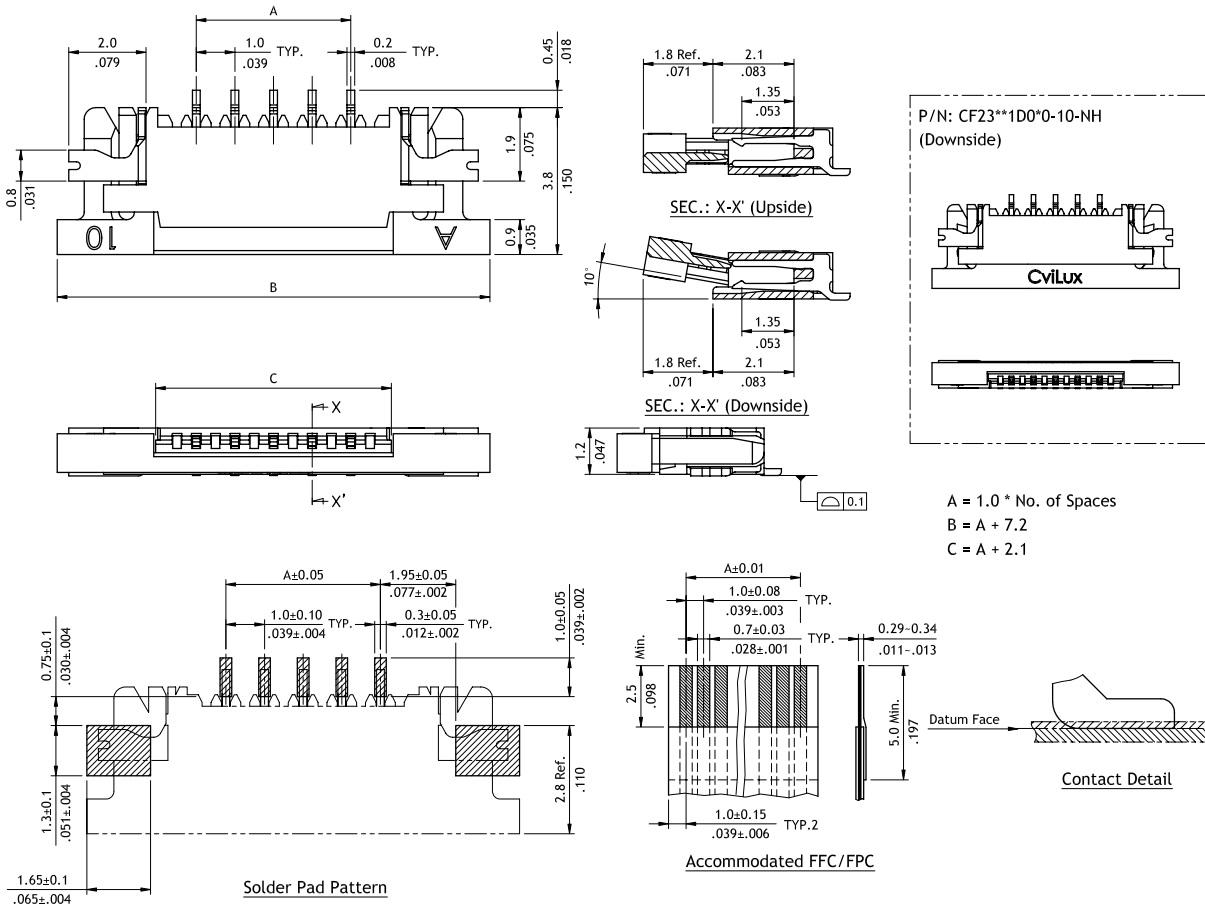
⑧ NH = For Lead Free IR process and Halogen-Free

CF23 Series 1.00mm(.039") H=1.20 SMT ZIF FFC/FPC Connectors

- ⊙ 1.2mm above the board
- ⊙ Insulator: High temperature plastic UL 94V-0, Color Nature
- ⊙ Slider: High temperature plastic UL 94V-0, Color Black
- ⊙ Fully checked by CCD and Hi-Pot test
- ⊙ With metal fixed tabs to secure connector in place



RoHS Compliant



Ordering Code

① ② ③ ④ ⑤ ⑥ ⑦ ⑧ ⑨
CF 23 19 1 U 0 R 0 - 10 - NH

- ① Series No.
- ② No. of Circuits: 03 ~ 19
 Circuits not found above please consult manufacturer

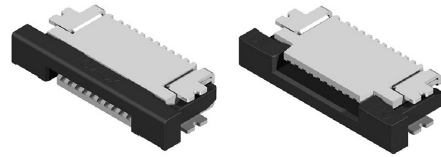
- ③ Plating Code:
 1= Matte Tin over Nickel
- ④ Contact Style:
 U = Upside Contact
 D = Downside Contact
- ⑤ Color: 0 = Nature
- ⑥ Packing: R = Tape & Reel
 T = Tube

- ⑦ Other Options: 0 = Standard
 *Special option consult manufacturer
- ⑧ Pitch: 10 = 1.00 mm
- ⑨ NH = For Lead Free IR process and Halogen-Free

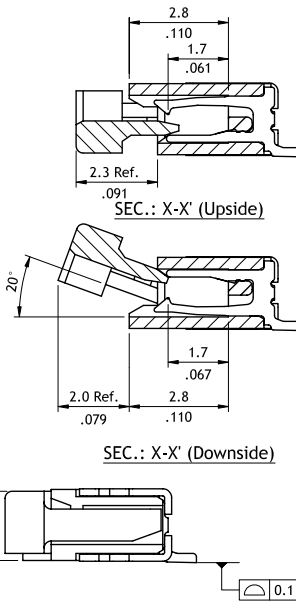
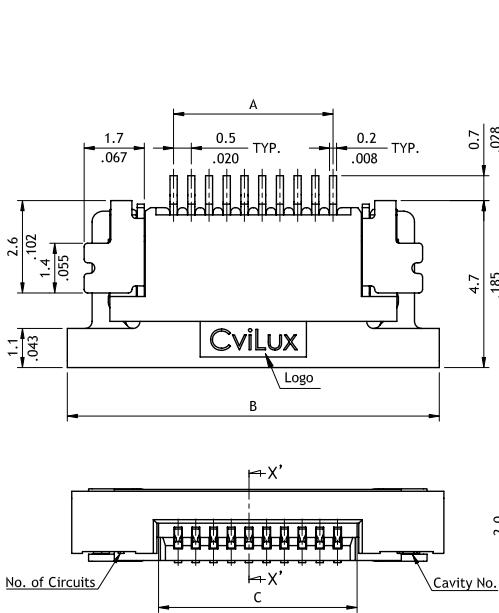
CF20 Series 0.50mm(.020") H=2.00 SMT ZIF FFC/FPC Connectors

CF

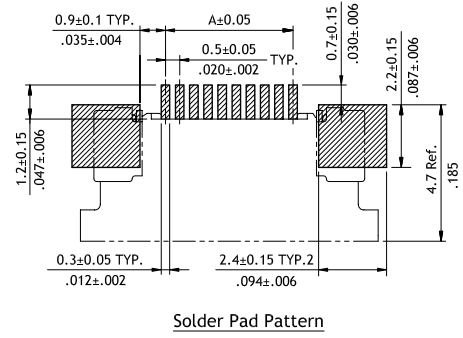
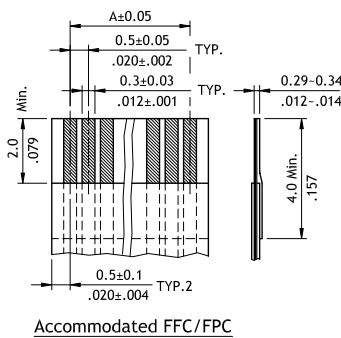
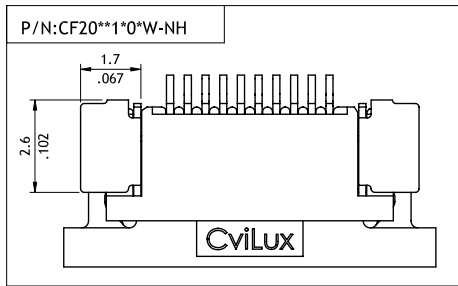
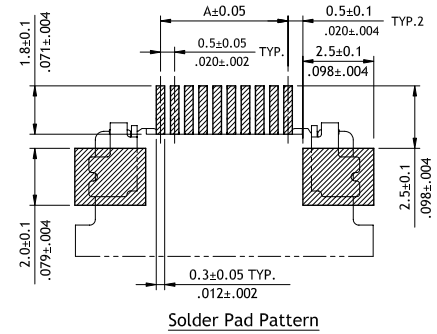
- ⊙ 2.00 mm above the board
- ⊙ Insulator: High temperature plastic UL 94V-0, Color Nature
- ⊙ Slider: High temperature plastic UL 94V-0, Color Black
- ⊙ With metal fixed tabs to secure connector in place



RoHS Compliant



A = 0.5 * No. of Spaces
 B = A + 6.0
 C = A + 1.1

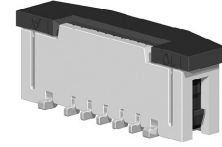


Ordering Code	①	②	③	④	⑤	⑥	⑦	⑧
	CF	20	55	1	D	0	R	0 - NH
① Series No.	④ Contact Style: U = Upside Contact D = Downside Contact		⑦ Other Options: 0 = Standard W = Wide tabs					
② No. of Circuits: 04 ~ 55	⑤ Color: 0 = Nature		⑧ NH = For Lead Free IR process and Halogen-Free					
③ Plating Code: 1 = Matte Tin over Nickel 2 = Gold flash over Nickel	⑥ Packing: R = Tape & Reel T = Tube							

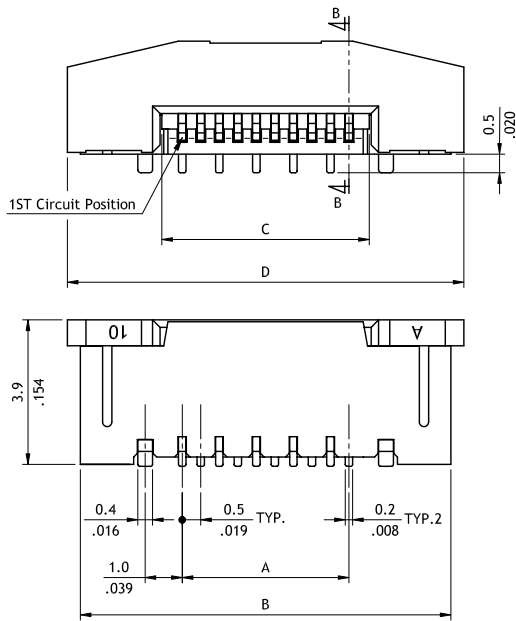
FFC & FPC CONNECTOR

CF20 Series 0.50mm(.020") H=3.90 SMT ZIF Vertical FFC/FPC Connectors

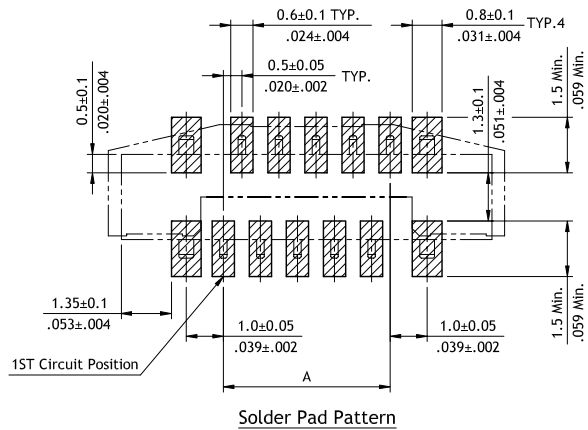
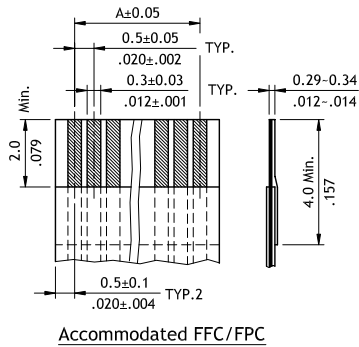
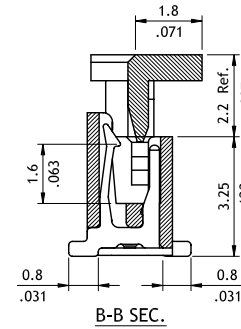
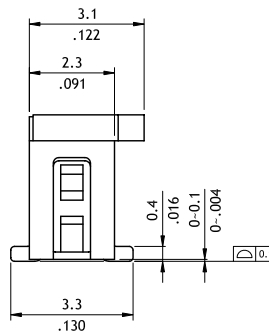
- ⓪ 3.9mm above the board
- ⓪ Insulator: High temperature plastic UL 94V-0, Color Nature
- ⓪ Slider: High temperature plastic UL 94V-0, Color Black
- ⓪ With metal fixed tabs to secure connector in place



RoHS Compliant



A = 0.5 x No. of Spaces
 B = A + 5.5
 C = A + 1.2
 D = A + 6.8



Ordering Code

① ② ③ ④ ⑤ ⑥ ⑦ ⑧
CF 20 55 1 V 0 R 0 - NH

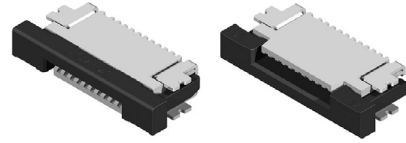
- ① Series No.
- ② No. of Circuits: 04 ~ 55
- ③ Plating Code:
 1 = Matte Tin over Nickel
 2 = Gold flash over Nickel

- ④ Contact Style:
 V = Vertical Type
- ⑤ Color: 0 = Nature
- ⑥ Packing:
 R = Tape & Reel
 T = Tube

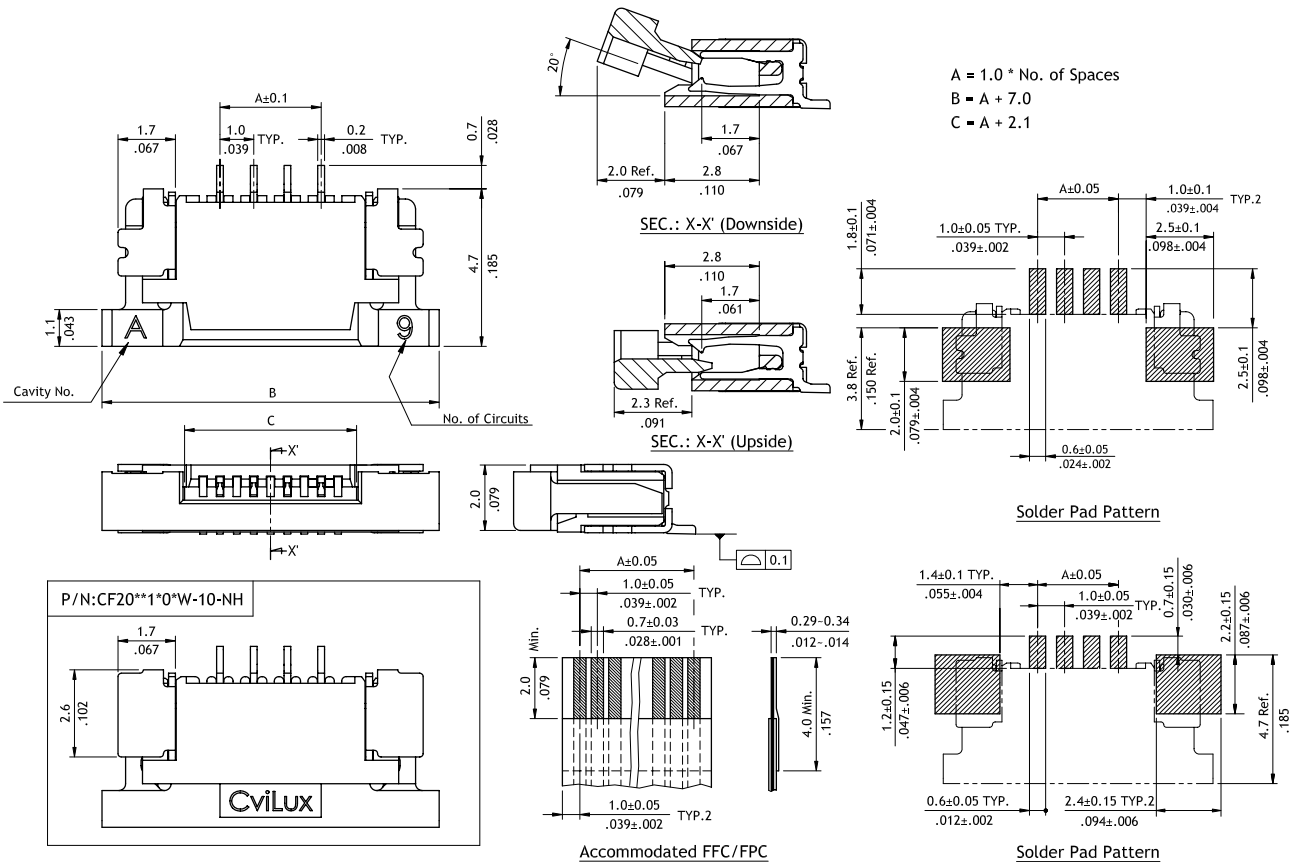
- ⑦ Other Options: 0 = Standard
 * Special options consult manufacturer
- ⑧ NH = For Lead Free IR process and Halogen-Free

CF20 Series 1.00mm(.039") H=2.00 SMT ZIF FFC/FPC Connectors

- Ⓞ Insulator: High temperature plastic UL 94V-0, Color Nature
- Ⓞ Slider: High temperature plastic UL 94V-0, Color Black
- Ⓞ With metal fixed tabs to secure connector in place



RoHS Compliant



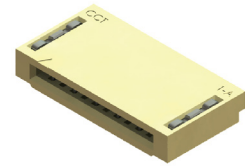
Ordering Code

① ② ③ ④ ⑤ ⑥ ⑦ ⑧ ⑨
CF 20 27 1 U 0 R 0 - 10 - NH

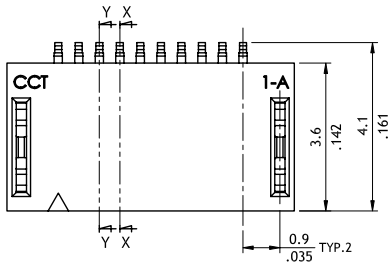
- ① Series No.
- ② No. of Circuits: 04 ~ 27
- ③ Plating Code:
 1 = Matte Tin over Nickel
 2 = Gold flash over Nickel
- ④ Contact Style:
 U = Upside Contact
 D = Downside Contact
- ⑤ Color: 0 = Nature
- ⑥ Packing:
 R = Tape & Reel
 T = Tube
- ⑦ Other Options:
 0 = Standar
 W = Wide Tabs
- ⑧ Pitch: 10 = 1.00 mm
- ⑨ NH = For Lead Free IR process and Halogen-Free

CF27 Series 0.50mm(.020") H=1.20 SMT LIF FFC/FPC Connectors

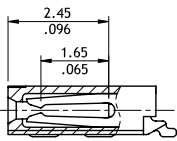
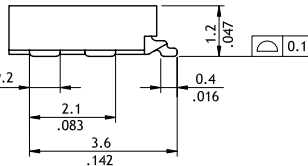
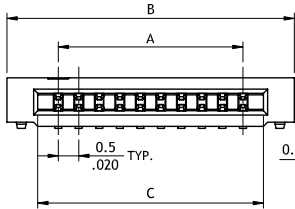
- ⊙ 1.2mm above the board
- ⊙ Copper alloy dual contacts
- ⊙ Insulator: High temperature plastic UL 94V-0, Color Nature
- ⊙ With metal fixed tabs to secure connector in place



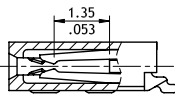
RoHS Compliant



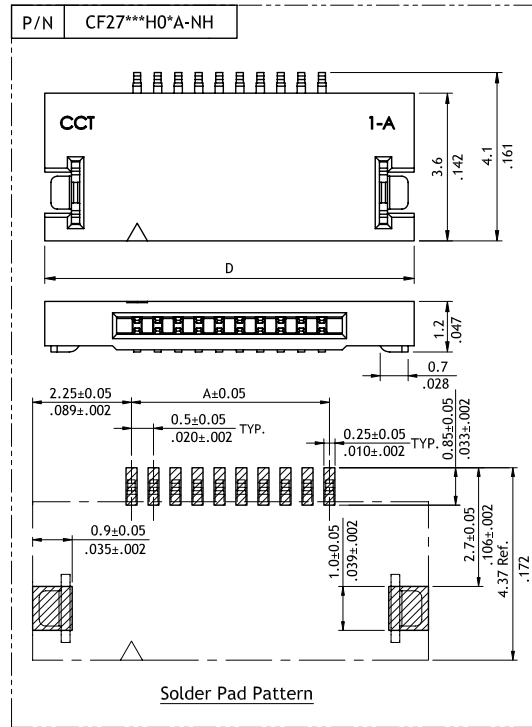
A = 0.5 x No. of Spaces
 B = A + 2.5
 C = A + 1.0
 D = A + 4.5



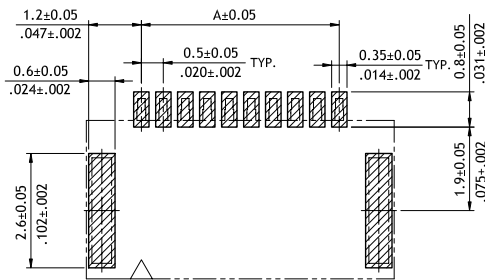
SEC.: Y-Y



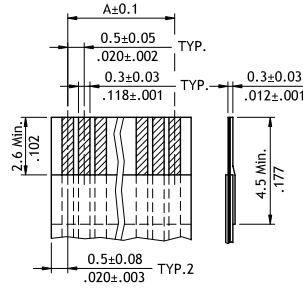
SEC.: X-X



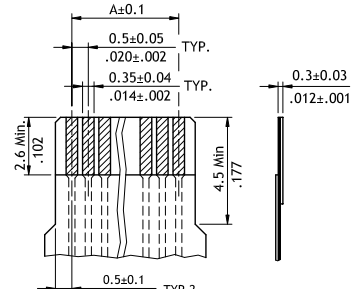
Solder Pad Pattern



Solder Pad Pattern



Accommodated FFC



Accommodated FPC

Ordering Code

① ② ③ ④ ⑤ ⑥ ⑦ ⑧
CF 27 20 1 H 0 R 0 - NH

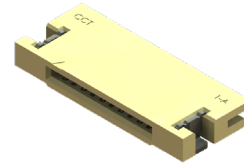
- ① Series No.
- ② No. of Circuits: 04 ~ 20
- ③ Plating Code:
 1 = Matte Tin over Nickel
 2 = Gold flash over Nickel

- ④ Contact Style:
 H = Side Entry
- ⑤ Color: 0 = Nature
- ⑥ Packing:
 R = Tape & Reel
 T = Tube

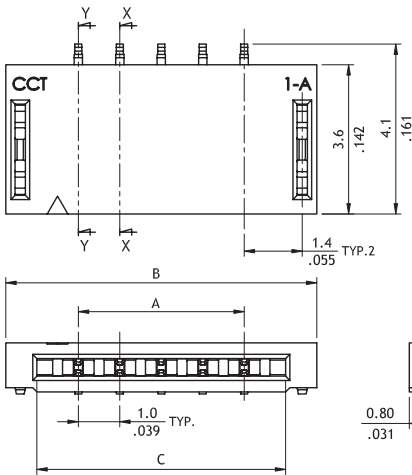
- ⑦ Other Options:
 0 = Standard
 A = Base of Wide size
- ⑧ NH = For Lead Free IR process and Halogen-Free

CF27 Series 1.00mm(.039") H=1.20 SMT LIF FFC/FPC Connectors

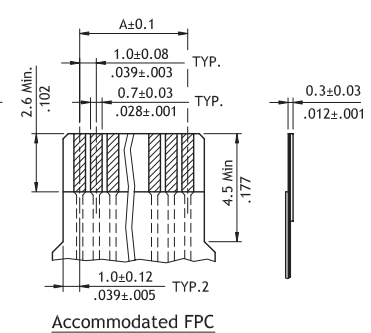
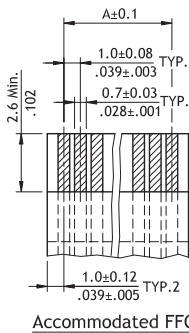
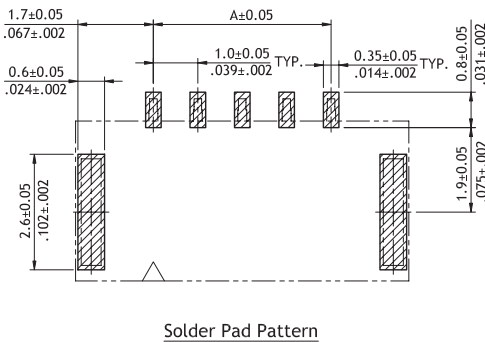
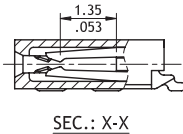
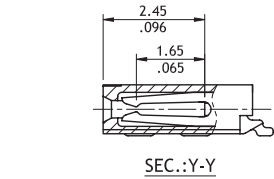
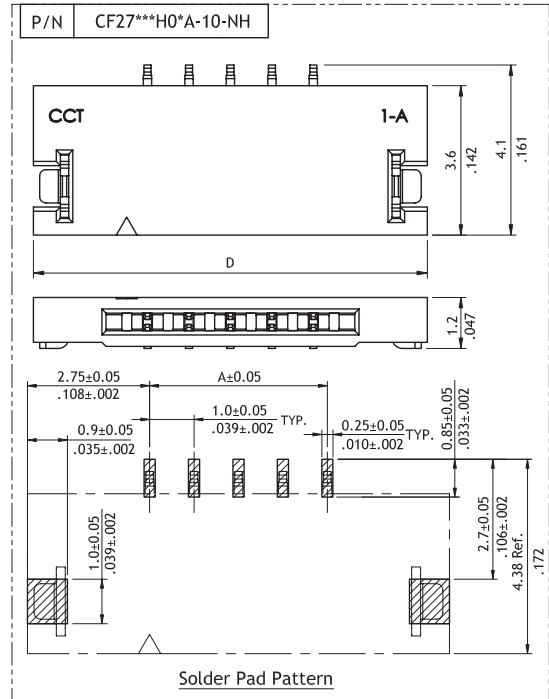
- ⊙ 1.2mm above the board
- ⊙ Copper alloy dual contacts
- ⊙ Insulator: High temperature plastic UL 94V-0, Color Nature
- ⊙ With metal fixed tabs to secure connector in place



RoHS Compliant



A = 1.0 x No. of Spaces
 B = A + 3.5
 C = A + 2.0
 D = A + 5.5



Ordering Code

① ② ③ ④ ⑤ ⑥ ⑦ ⑧ ⑨
CF 2 7 1 0 1 H 0 R 0 - 1 0 - NH

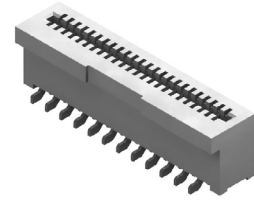
- ① Series No.
- ② No. of Circuits: 04 ~ 10
- ③ Plating Code:
 1 = Matte Tin over Nickel
 2 = Gold flash over Nickel

- ④ Contact Style:
 H = Side Entry
- ⑤ Color: 0 = Nature
- ⑥ Packing:
 R = Tape & Reel
 T = Tube

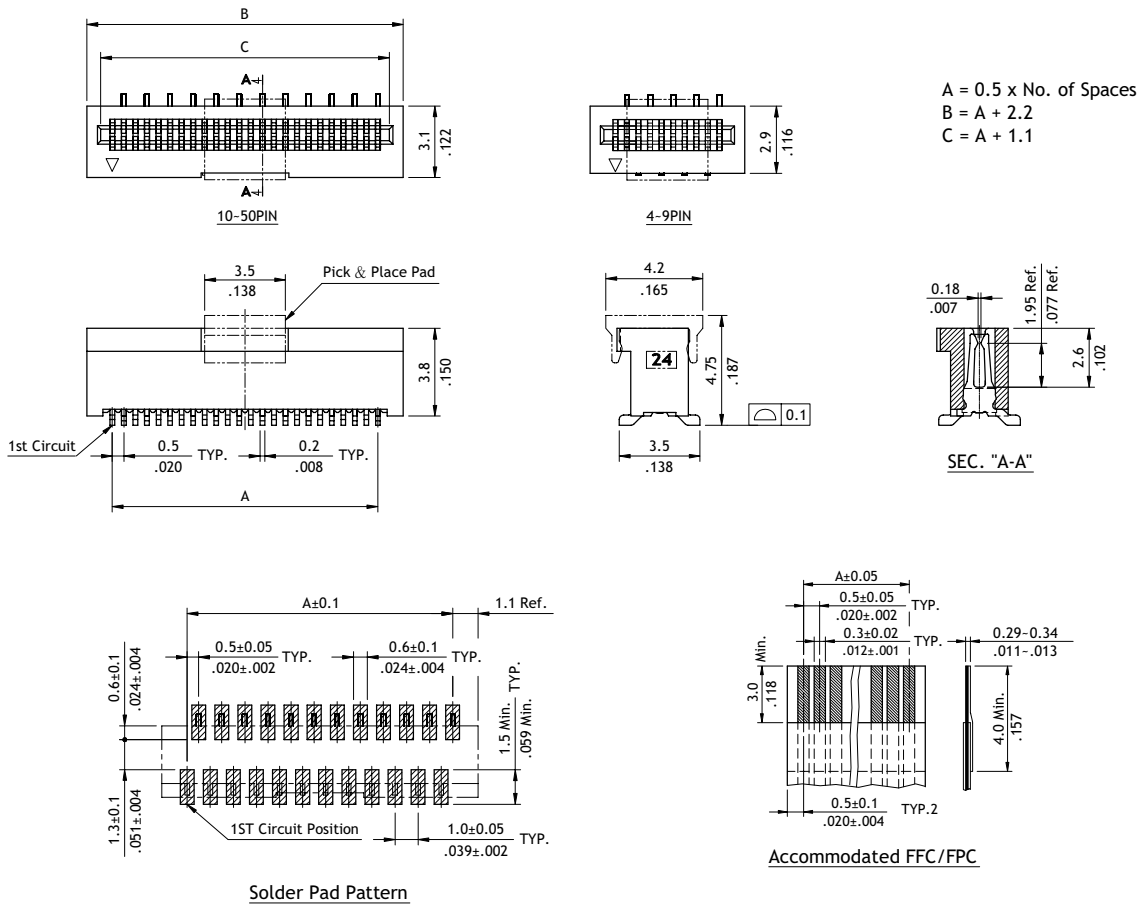
- ⑦ Other Options:
 0 = Standard
 A = Base of Wide size
- ⑧ Pitch: 10 = 1.00 mm
- ⑨ NH = For Lead Free IR process and Halogen-Free

CF24 Series 0.50mm(.020") H=4.20 SMT LIF Vertical FFC/FPC Connectors

- ⊙ Tin plated over copper alloy dual contacts
- ⊙ Insulator: High temperature plastic UL 94V-0, Color Nature
- ⊙ Low insertion force



RoHS Compliant



Ordering Code

① ② ③ ④ ⑤ ⑥ ⑦ ⑧
CF 24 50 1 V 0 R 0 - NH

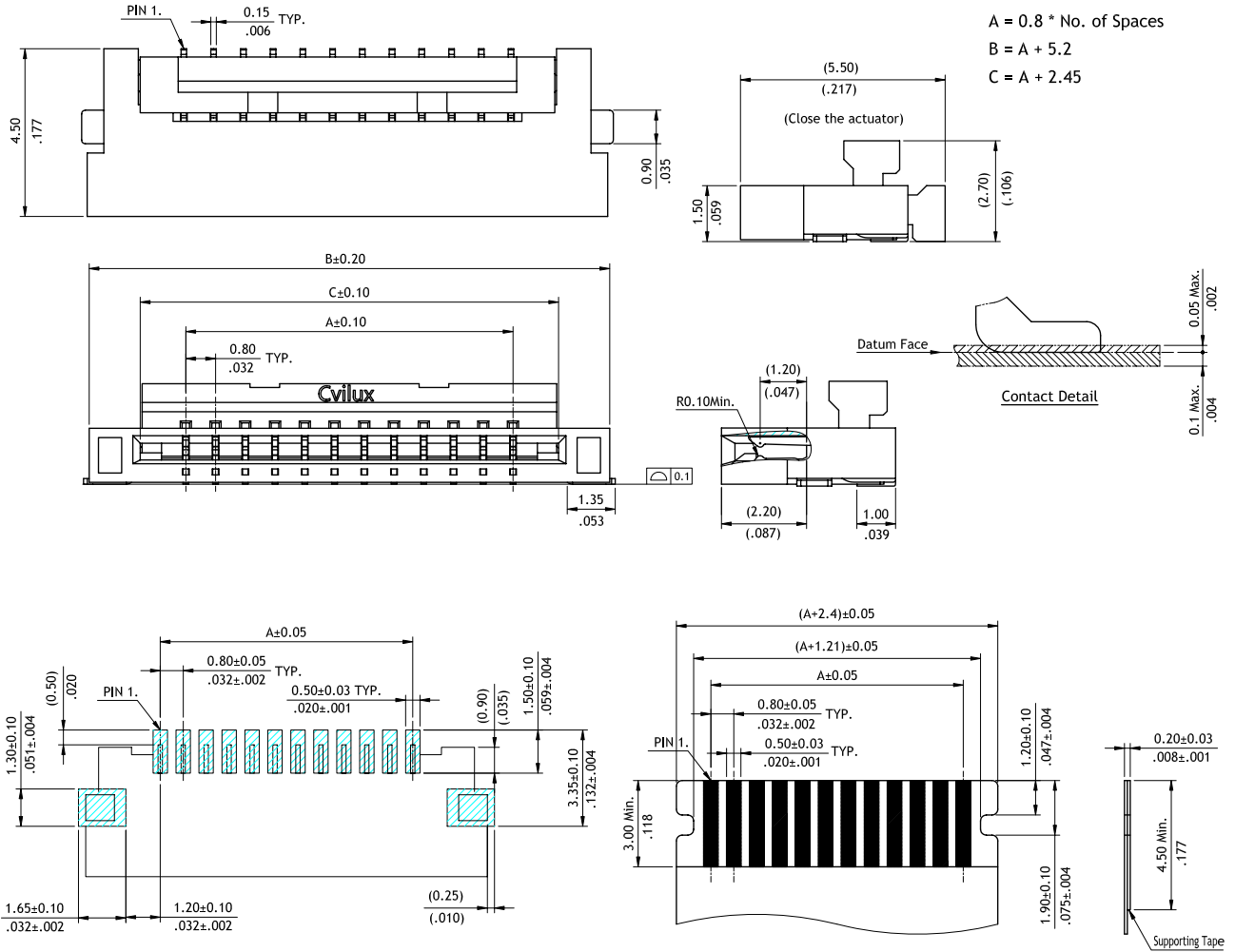
- ① Series No.
- ② No. of Circuits: 04 ~50
- ③ Plating Code:
1 = Matte Tin over Nickel
- ④ Contact Style:
V = Vertical Type
- ⑤ Color: 0 = Nature
- ⑥ Packing:
R = Tape & Reel
T = Tube
- ⑦ Other Options:
0 = With pick & place pad (Standard)
N = Without pick & place pad
*Special options consult manufacturer
- ⑧ NH = For Lead Free IR process and Halogen-Free

CF95 Series 0.8mm(.031") H=1.50 SMT ZIF FFC/FPC Connectors (Back Flip actuator)

- Ⓞ 1.50mm above the board
- Ⓞ FFC/FPC zero insertion force and high retention force
- Ⓞ Insulator: High temperature plastic UL 94V-0, Color Nature
- Ⓞ Cover : High temperature plastic UL 94V-0, Color Black
- Ⓞ Actuator designed easy for FPC installation and reliable operation
- Ⓞ With metal fixed tabs to secure connector in place



RoHS Compliant



Recommended P.C. Board Layout

Accommodated FFC/FPC

Ordering Code

① ② ③ ④ ⑤ ⑥ ⑦ ⑧
CF 9 5 3 0 1 H 0 R 0 - NH

- ① Series No.
- ② No. of Circuits: 04 ~ 30
- ③ Plating Code:
 1 = Matte Tin over Nickel
 F = Gold flash over Nickel

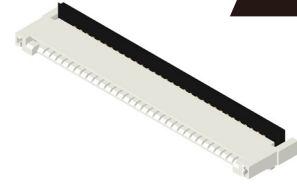
- ④ Contact style :
 H = Dual Side
- ⑤ Color : 0 = Nature

- ⑥ Packing : R = Tape & Reel
- ⑦ Options: 0 = Standard
- ⑧ NH = For Lead Free soldering process and Halogen-Free

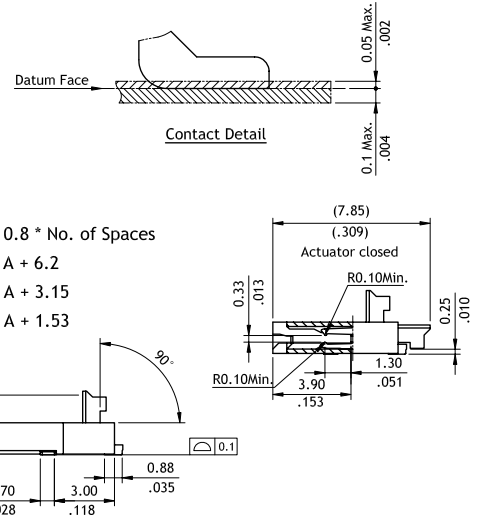
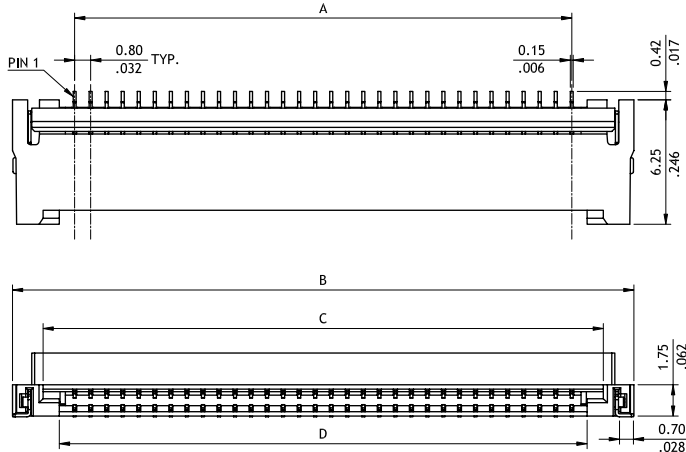
CF84 Series 0.8mm(.031") H=1.57 SMT ZIF FFC/FPC Connectors (Back Flip actuator)

- ⊙ 1.57mm above the board
- ⊙ FFC/FPC zero insertion force and high retention force
- ⊙ Insulator: High temperature plastic UL 94V-0, Color Nature
- ⊙ Cover : High temperature plastic UL 94V-0, Color Black
- ⊙ Actuator designed easy for FPC installation and reliable operation
- ⊙ With metal fixed tabs to secure connector in place

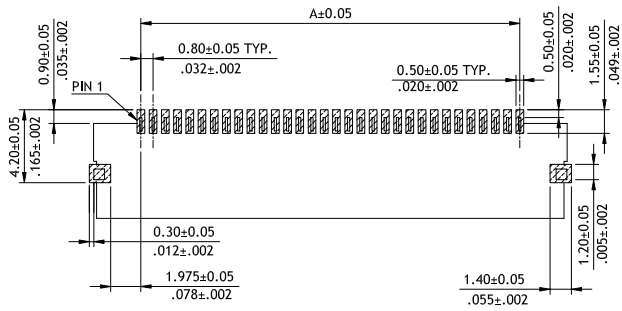
NEW



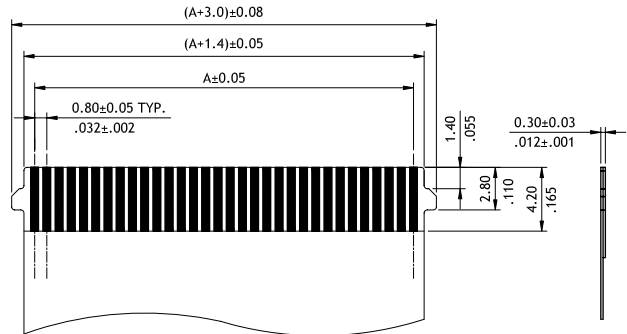
RoHS Compliant



A = 0.8 * No. of Spaces
 B = A + 6.2
 C = A + 3.15
 D = A + 1.53



Recommended P.C. Board Layout



Accommodated FFC/FPC

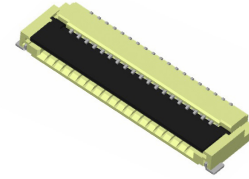
Ordering Code

① ② ③ ④ ⑤ ⑥ ⑦
CF 8 4 5 0 1 H 0 RA - NH

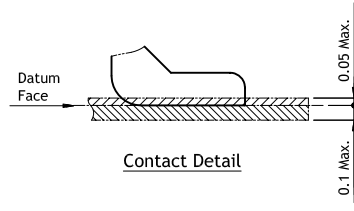
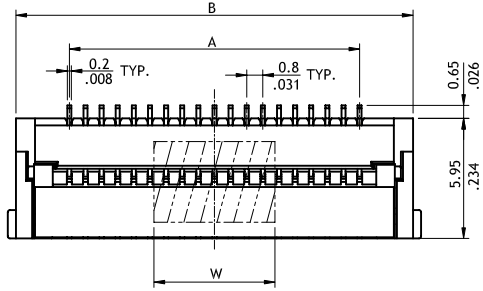
- ① Series No.
- ② No. of Circuits: 04 ~ 50
- ③ Plating Code:
 1 = Matte Tin over Nickel
 F = Gold flash over Nickel
- ④ Contact style :
 H = Dual Side
- ⑤ Color : 0 = Nature
- ⑥ Packing : RA = Tape & Reel
- ⑦ NH = For Lead Free soldering process and Halogen-Free

CF32 Series 0.80mm(.031")H=1.95 SMT ZIF One-Touch FFC/FPC Connectors

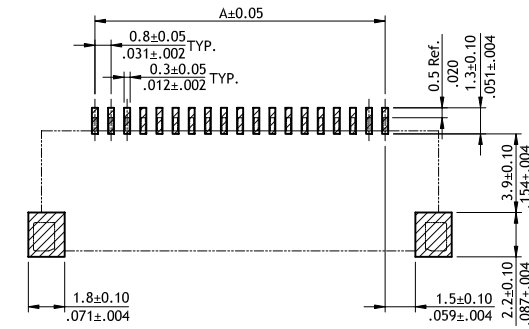
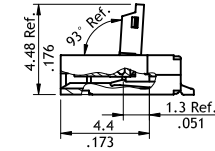
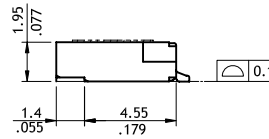
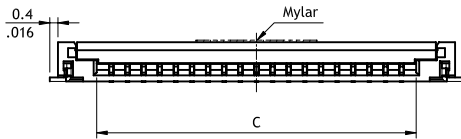
- ⊙ 1.95mm above the board
- ⊙ FFC/FPC zero insertion force and high retention force
- ⊙ Insulation: High temperature plastic UL 94V-0, Color Nature
- ⊙ Cover: High temperature plastic UL 94V-0, Color Black
- ⊙ Actuator designed easy for FFC/FPC installation and reliable operation
- ⊙ With metal fixed tabs to secure connector in place



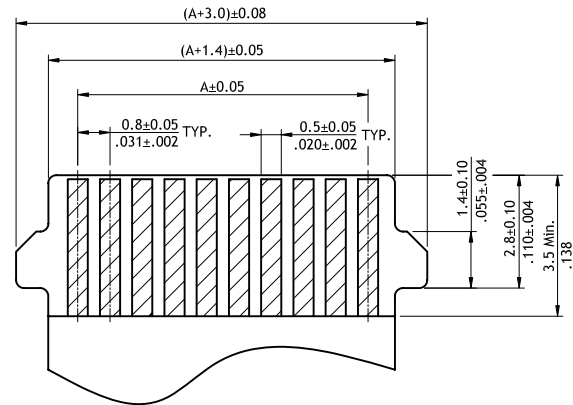
RoHS Compliant



A = 0.8 x No. of Spaces
 B = A + 5.3
 C = A + 1.45
 4- 6Pin W=3.0
 7-40Pin W=6.0



Recommended PCB Layout

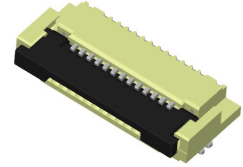


Accommodated FFC/FPC
 (Thickness: 0.3±0.03)

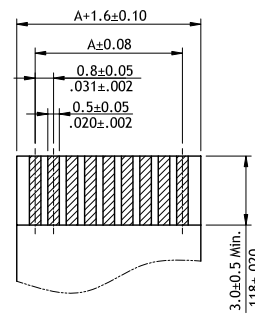
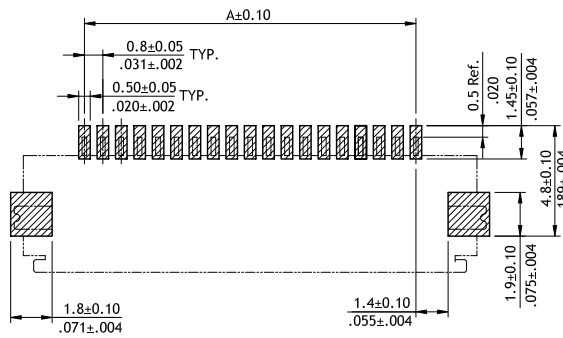
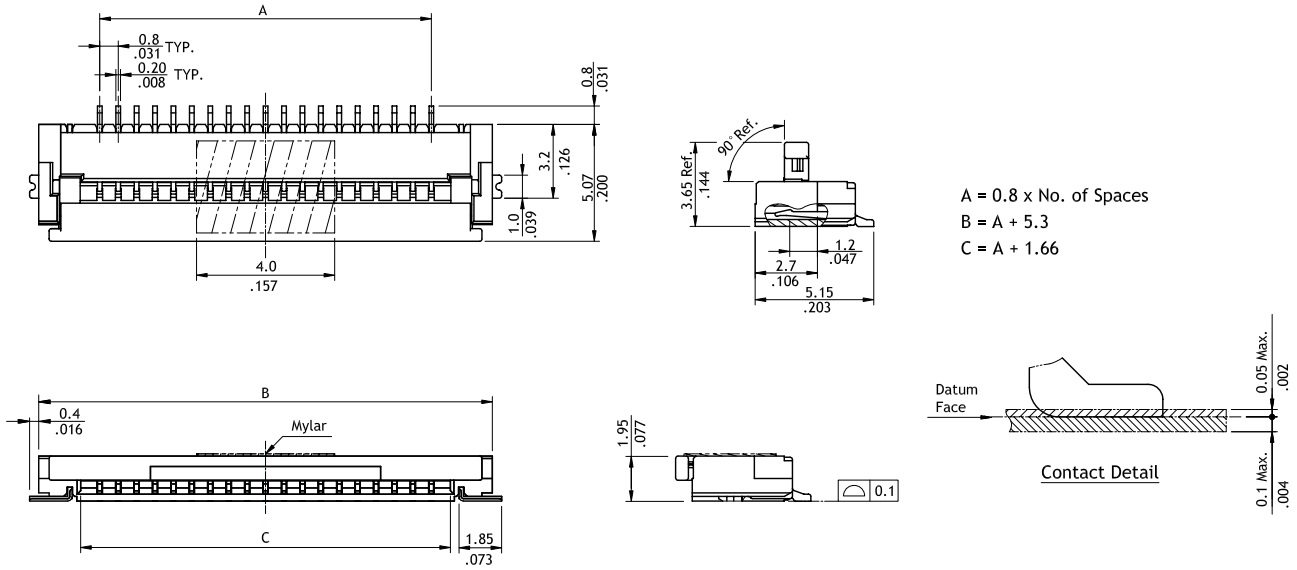
Ordering Code	①	②	③	④	⑤	⑥	⑦	⑧
	CF	32	32	1	D	0	R	0 - NH
① Series No.								
② No. of Circuits: 04 ~ 40 (Available: 30,32) *Circuits not found above please consult manufacturer*								
③ Plating Code: 1 = Matte Tin over Nickel 2 = Gold flash over Nickel								
④ Contact Style: D = Downside contact								
⑤ Color: 0 = Nature								
⑥ Packing: R = Tape & Reel								
⑦ Other Options: 0 = Without Mylar (Standard) M = With Mylar								
⑧ NH = For Lead Free IR process and Halogen-Free								

CF37 Series 0.80mm(.031")H=1.95 SMT ZIF One-Touch FFC/FPC Connectors

- ⊙ 1.95mm above the board
- ⊙ FFC/FPC zero insertion force and high retention force
- ⊙ Insulation: High temperature plastic UL 94V-0, Color Nature
- ⊙ Cover: High temperature plastic UL 94V-0, Color Black
- ⊙ Actuator designed easy for FFC/FPC installation and reliable operation
- ⊙ With metal fixed tabs to secure connector in place



RoHS Compliant



Ordering Code

① ② ③ ④ ⑤ ⑥ ⑦ ⑧
CF 3 7 3 4 2 D 0 R 0 - NH

① Series No.

② No. of Circuits: 04 ~ 40
(Available: 26,34)

*Circuits not found above
please consult manufacturer*

③ Plating Code:

- 1 = Matte Tin over Nickel
- 2 = Gold flash over Nickel

④ Contact Style:

D = Downside contact

⑤ Color: 0 = Nature

⑥ Packing: R = Tape & Reel

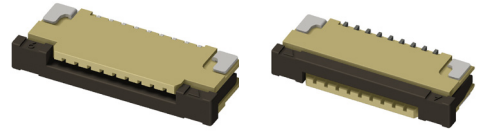
⑦ Other Options:

- 0 = Without Mylar (Standard)
- M = With Mylar

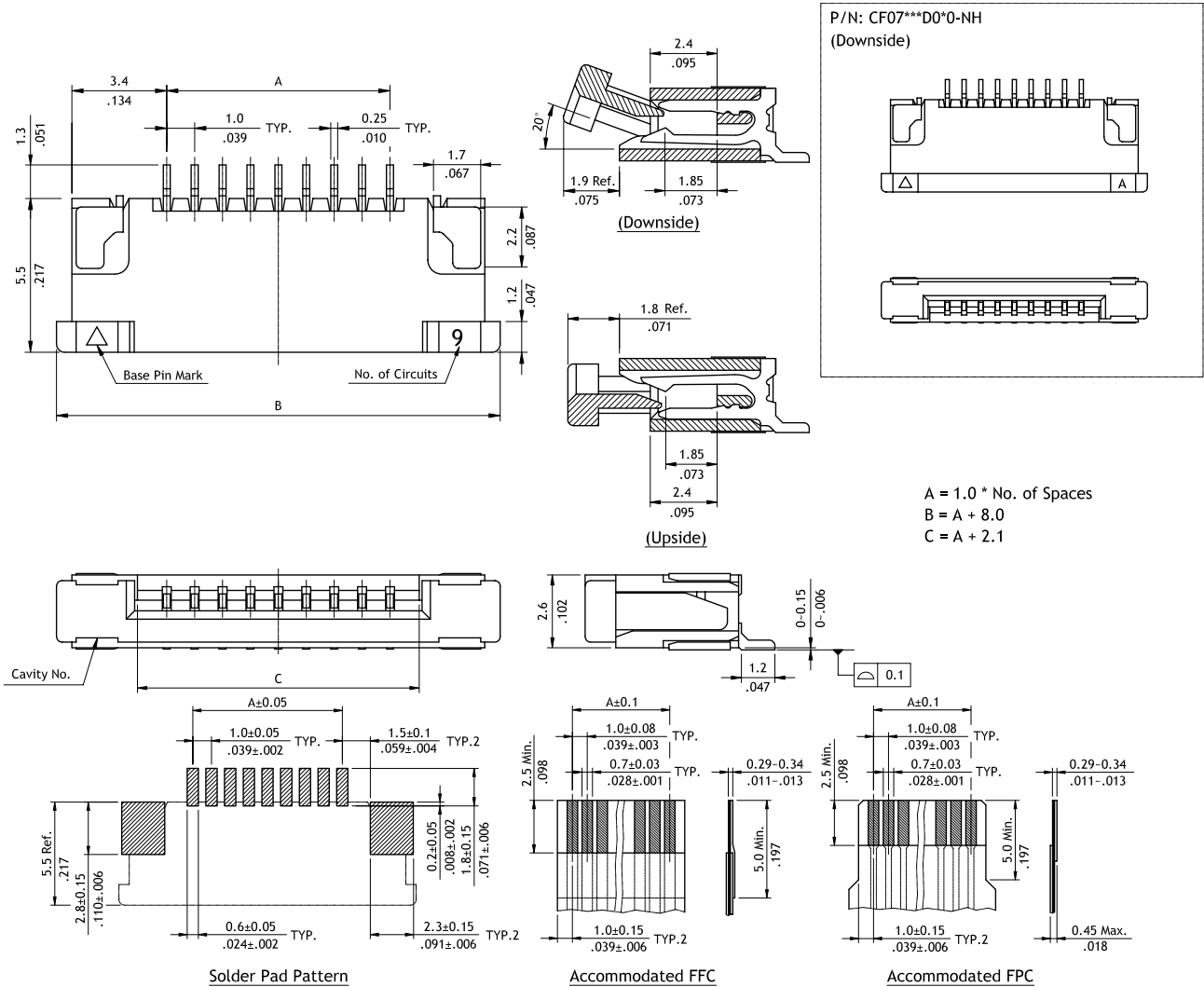
⑧ NH = For Lead Free IR process
and Halogen-Free

CF07 Series 1.00mm(.039") H=2.6 SMT ZIF FFC/FPC Connectors

- ⊙ Insulator: High temperature plastic UL 94V-0, Color Nature
- ⊙ Cover : High temperature plastic UL 94V-0, Color Black
- ⊙ With metal fixed tabs to secure connector in place



RoHS Compliant



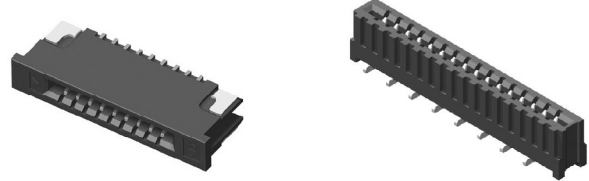
Ordering Code

① ② ③ ④ ⑤ ⑥ ⑦ ⑧
CF07301D0R0-NH

- | | | |
|--|---|---|
| ① Series No. | ④ Contact style :
D = Downside contact
U = Upside contact | ⑥ Packing : R = Tape & Reel |
| ② No. of Circuits: 04 ~ 32 | ⑤ Color : 0 = Nature | ⑦ Options: 0 = Standard |
| ③ Plating Code:
1 = Matte Tin over Nickel
2 = Gold flash over Nickel | | ⑧ NH = For Lead Free soldering process and Halogen-Free |

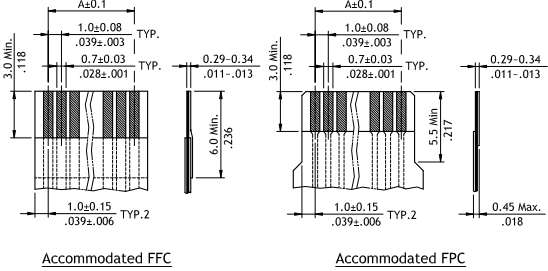
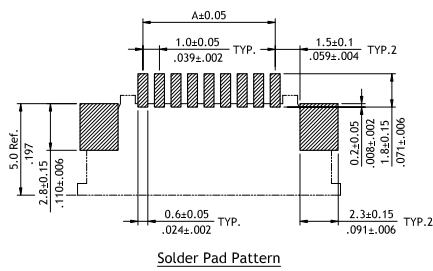
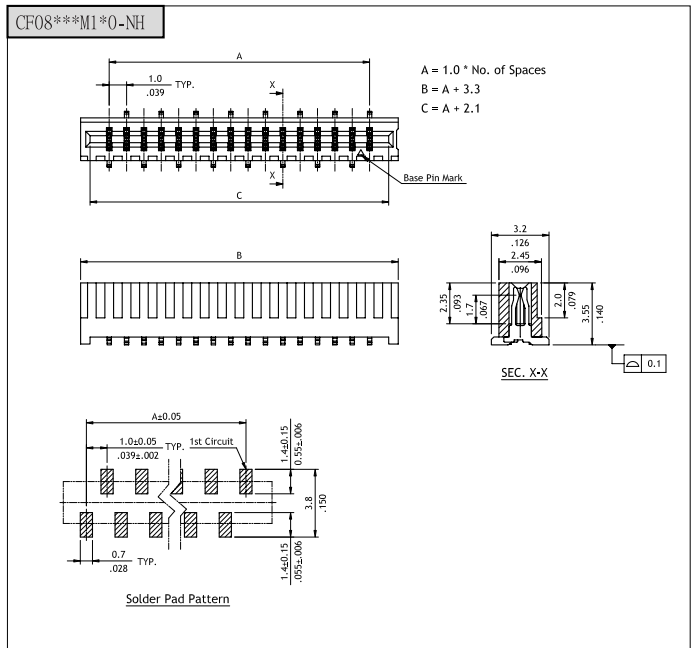
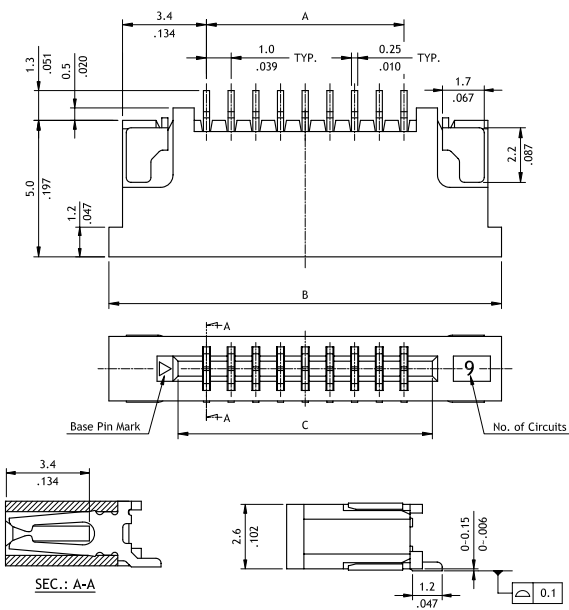
CF08 Series 1.00mm(.039")H=2.60/3.55 SMT LIF & SMT LIF Vertical FFC/FPC

- ⊙ Tin over copper alloy dual contacts
- ⊙ Insulator: High temperature plastic UL 94V-0
- ⊙ With metal fixed tabs to secure connector in place



RoHS Compliant

A = 1.0 * No. of Spaces
 B = A + 8.0
 C = A + 2.1



Ordering Code

① ② ③ ④ ⑤ ⑥ ⑦ ⑧
CF08 321 H 2 R 0 - NH

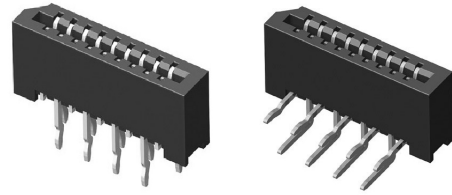
- ① Series No.
- ② No. of Circuits: 04 ~ 32
- ③ Plating Code:
1 = Matte Tin over Nickel

- ④ Contact Style:
H = SMT Side Entry
M = SMT Top Entry
- ⑤ Color: 1 = Black (Top Entry)
2 = Brown (Side Entry)
- ⑥ Packing: R = Tape & Reel
T = Tube

- ⑦ Other Options: 0 = Standard
*Special options consult manufacturer
- ⑧ NH = For Lead Free IR process and Halogen-Free

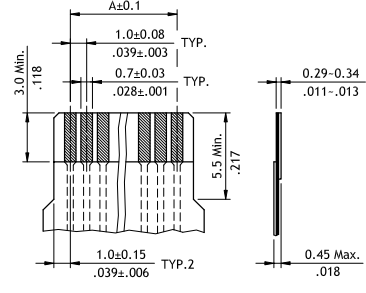
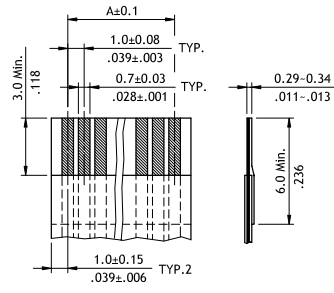
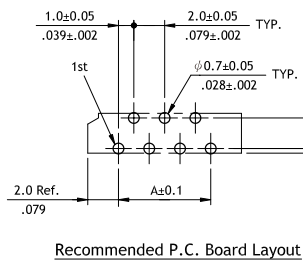
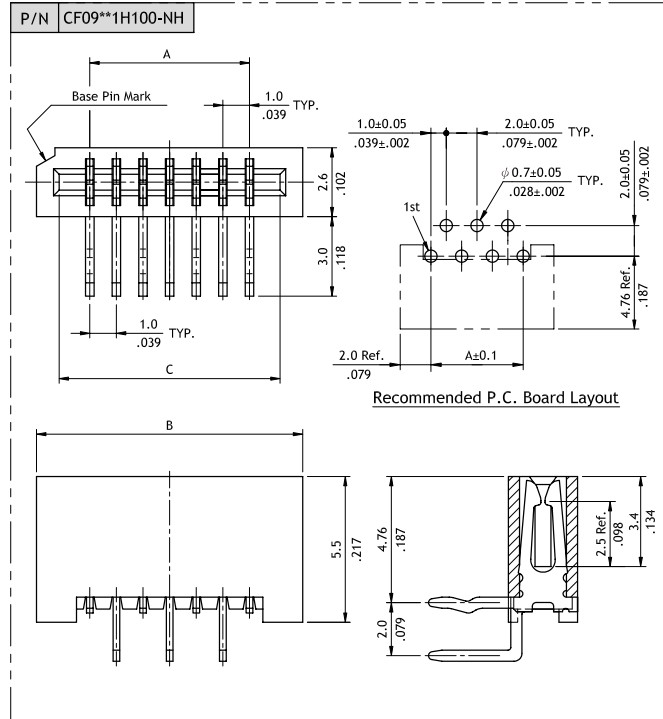
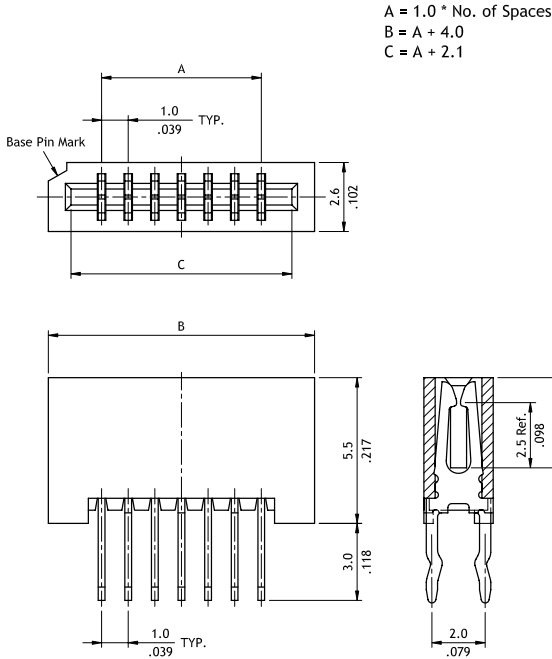
CF09 Series 1.00mm(.039")H=2.60/5.50 DIP LIF FFC/FPC Connectors

- ⊙ Tin over copper alloy dual contacts
- ⊙ Insulator: High temperature plastic UL 94V-0
- ⊙ Low Insertion Force



RoHS Compliant

P/N CF09**1V100-NH



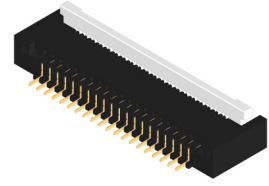
Ordering Code

① ② ③ ④ ⑤ ⑥ ⑦
CF09 321 H 1 00 - NH

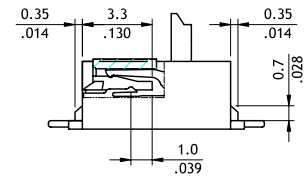
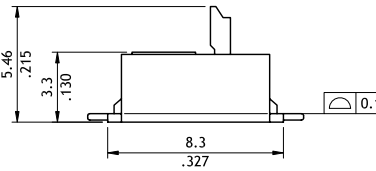
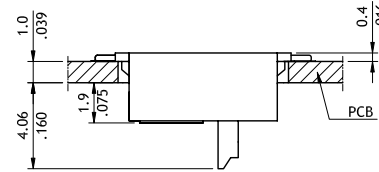
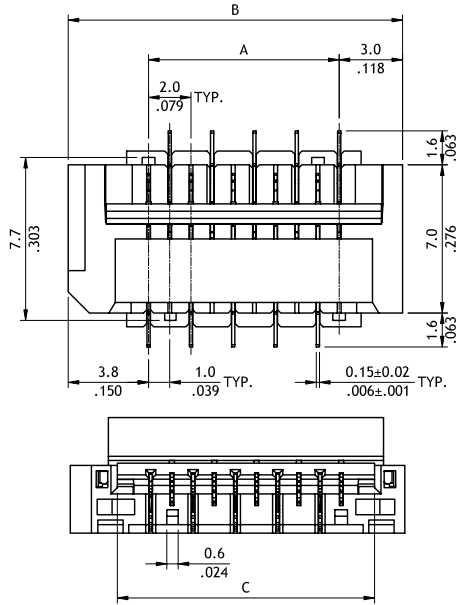
- ① Series No.
- ② No. of Circuits: 04~ 32
- ③ Plating Code:
1 = Matte Tin over Nickel
- ④ Contact Style:
V = Top Entry
H = Side Entry
- ⑤ Color: 1 = Black
- ⑥ Other Options: 00 = Standard
*Special options consult manufacturer
- ⑦ NH = For Lead Free Soldering process and Halogen-Free

CF73 Series 1.00mm(.039") H=3.30 SMT ZIF One-Touch FFC/FPC Connectors

- ⊙ FFC/FPC zero insertion force and high retention force
- ⊙ Insulator : High temperature plastic UL 94V-0, Color Black
- ⊙ Cover : High temperature plastic UL 94V-0, Color Nature
- ⊙ Actuator designed easy for FPC installation and reliable operation

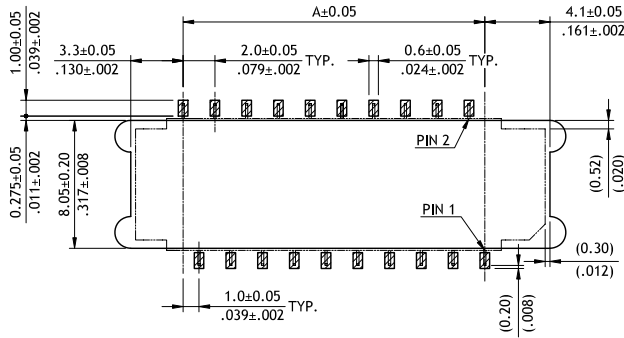


RoHS Compliant

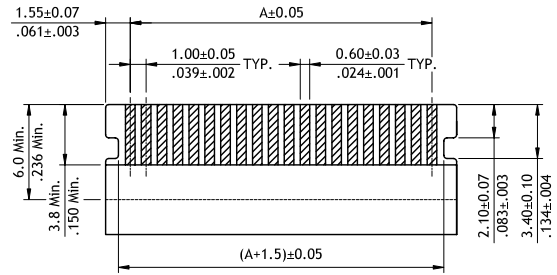


DIM.A = 1.0 x No. of Spaces + 6.8
 DIM.B = DIM.A + 6.8
 DIM.C = DIM.A + 3.15

Length to Contact Point



Recommended P.C. Board Layout



Accommodated FFC/FPC Thickness = 0.30±0.03mm

Ordering Code

① ② ③ ④ ⑤ ⑥ ⑦ ⑧
CF73 10 1 B 1 R0 - 10 - NH

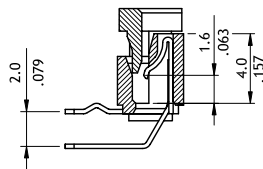
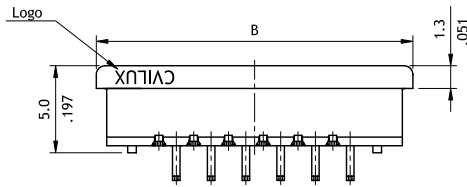
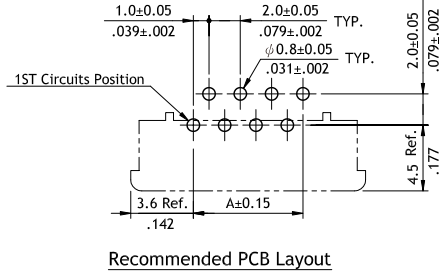
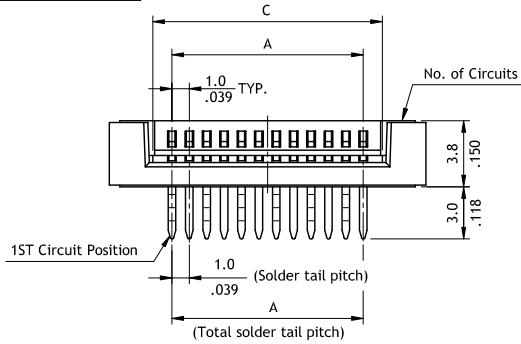
- ① Series No.
- ② No. of Circuits: 10
- ③ Plating Code:
 F = Gold flash over Nickel
 1 = Matte Tin over Nickel
- ④ Type : B = Middle Mount Type
- ⑤ Color: 1 = Black
- ⑥ Packing: R0 = Reel packing
- ⑦ Pitch = 1.00 mm
- ⑧ NH = For Lead Free soldering process and Halogen-Free

CF10 Series 1.00mm(.039")H=3.80/5.00 DIP ZIF FFC/FPC Connectors

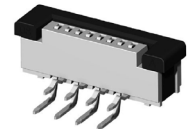
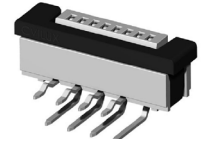
- Tin contacts with kinked tail
- Insulator: High temperature plastic UL 94V-0, Color Nature
- Slider: High temperature plastic UL 94V-0, Color Brown / Black

RoHS Compliant

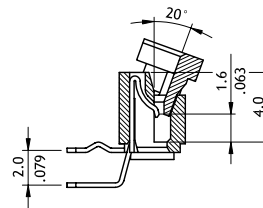
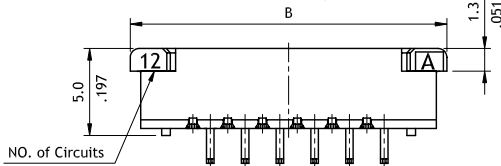
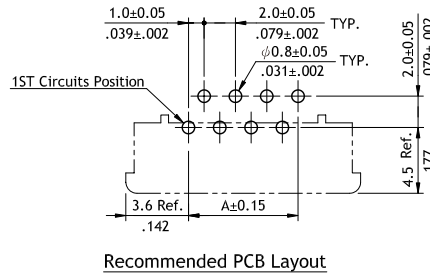
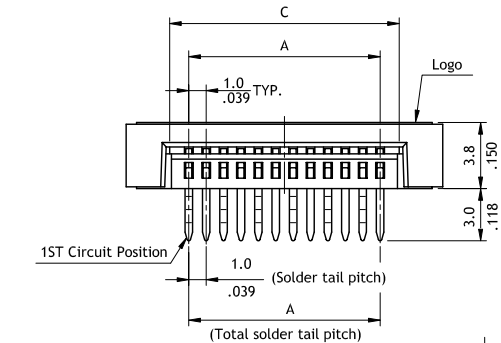
P/N CF10**1U0T0-NH



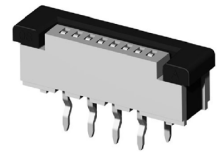
A = 1.0 x No. of Spaces
 B = A + 7.2
 C = A + 2.1



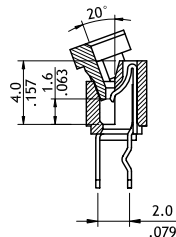
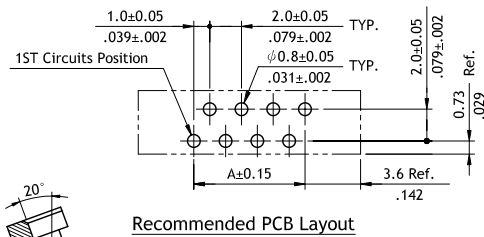
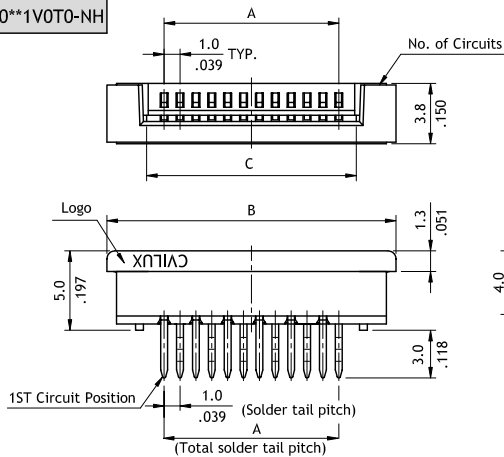
P/N CF10**1D0T0-NH



A = 1.0 x No. of Spaces
 B = A + 7.2
 C = A + 2.1



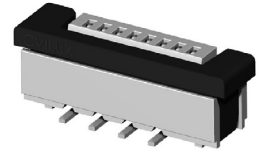
P/N CF10**1V0T0-NH



A = 1.0 x No. of Spaces
 B = A + 7.2
 C = A + 2.1

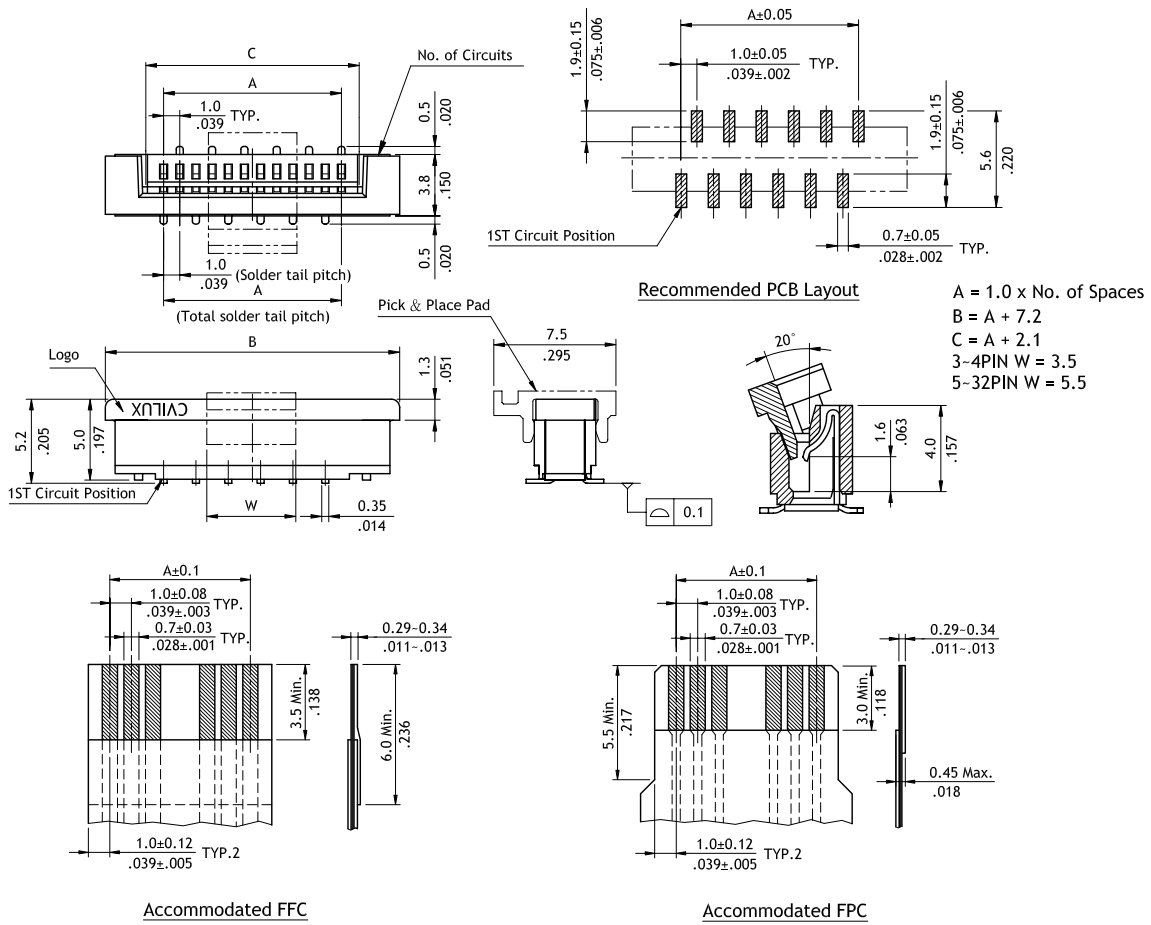
CF10 Series 1.00mm(.039")H=5.20 SMT ZIF FFC/FPC Connectors

- ⊙ Insulator: High temperature plastic UL 94V-0, Color Nature
- ⊙ Slider: High temperature plastic UL 94V-0, Color Black



RoHS Compliant

P/N CF10**1M0*0-**



Ordering Code

① CF 10 ② 3 2 ③ 1 ④ V ⑤ 0 ⑥ T ⑦ 0 - ⑧ NH

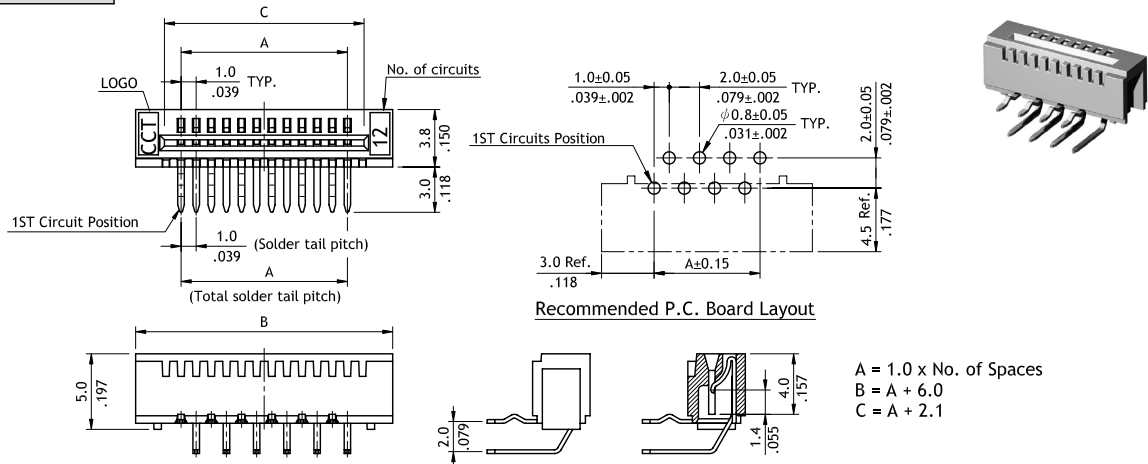
- ① Series No.
- ② No. of Circuits: 04 ~32
- ③ Plating Code:
1 = Matte Tin over Nickel
- ④ Contact Style:
U = Upside Contact (DIP)
D = Downside Contact (DIP)
V = Vertical Type (DIP)
M = Top entry Type (SMT)
- ⑤ Color: 0 = Nature
- ⑥ Packing: R = Tape & Reel
T = Tube
- ⑦ Other Options: 0 = Standard
- ⑧ NH = For Lead Free IR process and Halogen-Free

CF16 Series 1.00mm(.039")H=3.80/5.00 DIP LIF FFC/FPC Connectors

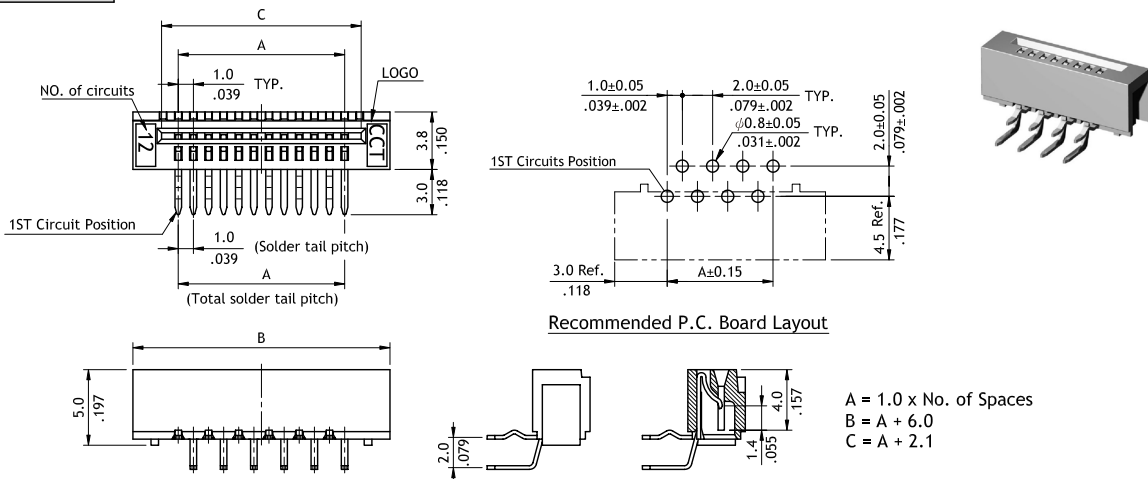
- Tinned contacts with kinked tail
- Insulator: High temperature plastic UL 94V-0

RoHS Compliant

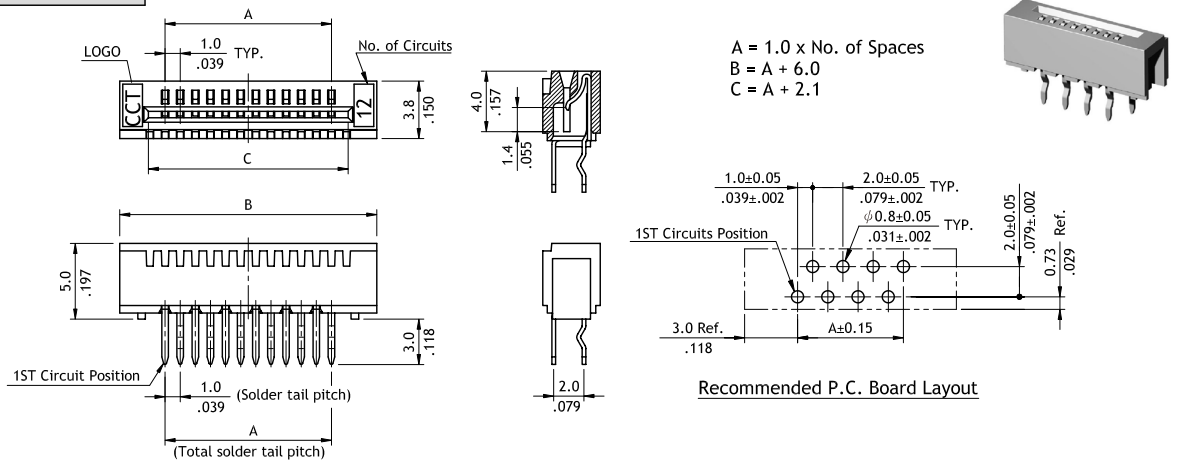
P/N CF16**1U0T0-NH



P/N CF16**1D0T0-NH

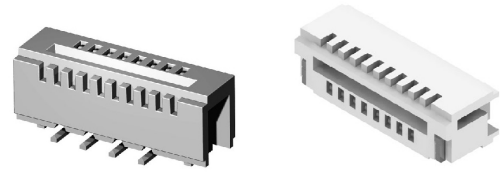


P/N CF16**1V0T0-NH



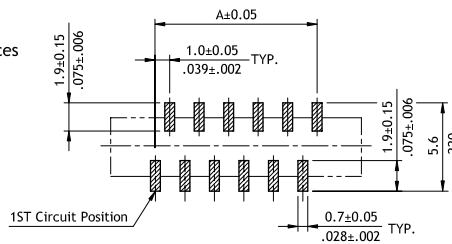
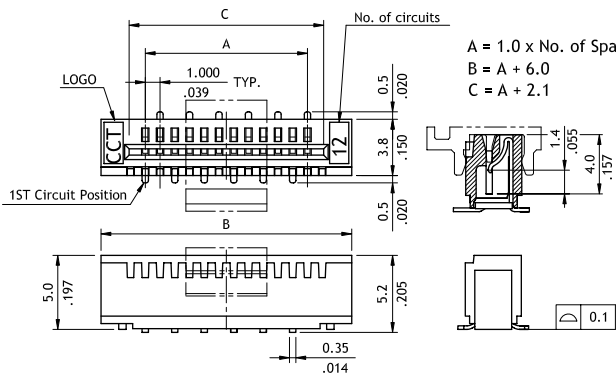
CF16 Series 1.00mm(.039")H=3.80/5.20 SMT LIF FFC/FPC Connectors

- ⊙ Insulator: High temperature plastic UL 94V-0, Color Nature
- ⊙ With metal fixed tabs to secure connector in place



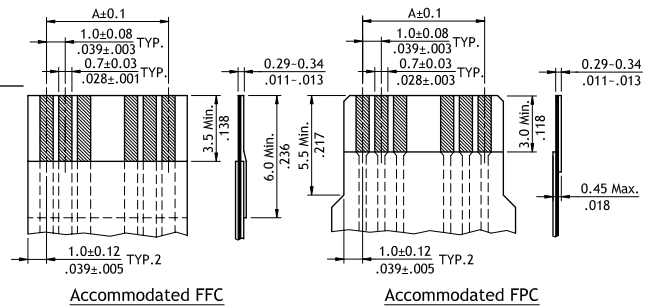
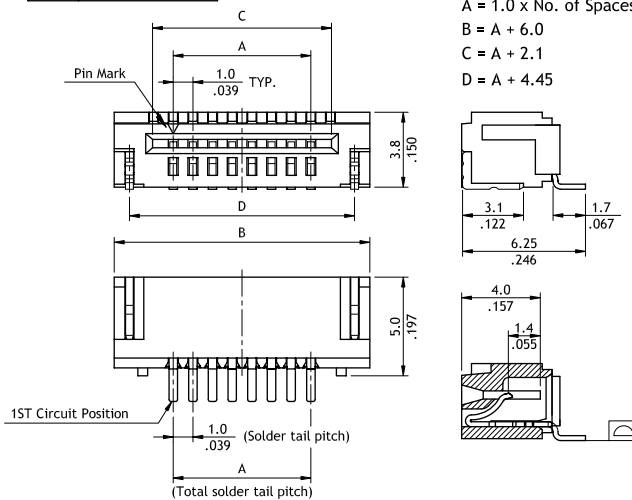
RoHS Compliant 

P/N CF16**1M0*0-NH



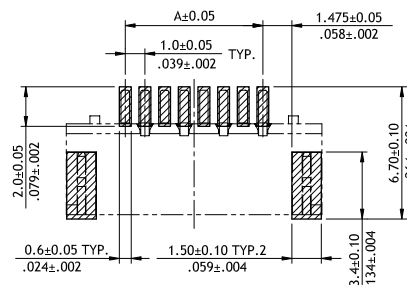
Solder Pad Pattern

P/N CF16**1S0*0-NH



Accommodated FFC

Accommodated FPC



Solder Pad Pattern

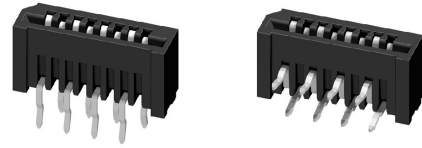
Ordering Code

① ② ③ ④ ⑤ ⑥ ⑦ ⑧
CF 16 3 2 1 V 0 T 0 - NH

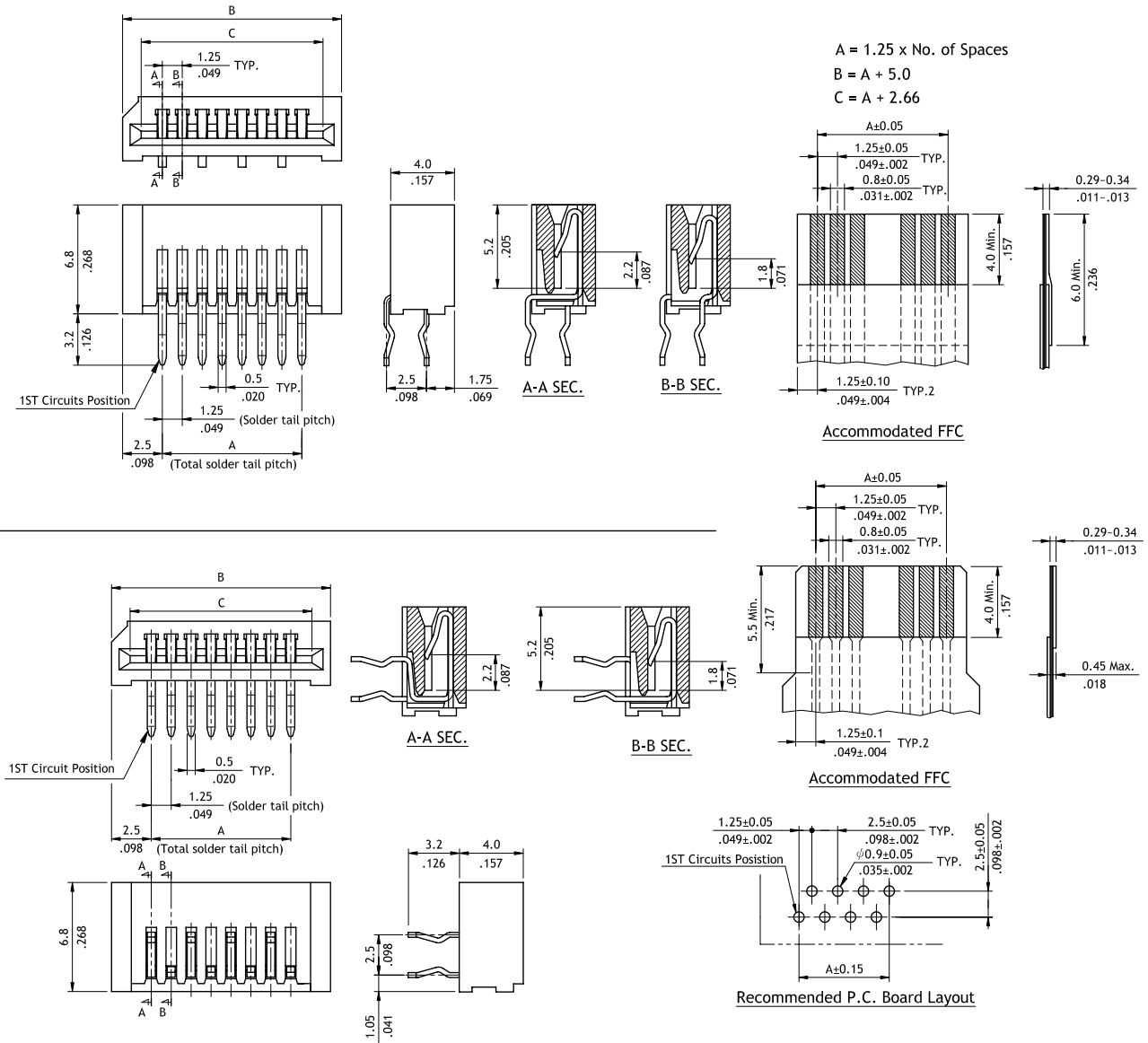
- ① Series No.
- ② No. of Circuits: 03 ~ 32
- ③ Plating Code:
1 = Matte Tin over Nickel
- ④ Contact Style: U = Upside Contact (DIP)
D = Downside Contact (DIP)
V = Vertical Type (DIP)
M = Top entry Type (SMT)
S = Side entry Type (SMT)
- ⑤ Color: 0 = Nature
- ⑥ Packing:
T = Tube packing without Pad (DIP or SMT)
R = Reel packing (SMT)
- ⑦ Other Options: 0 = Standard
*Special options consult manufacturer
- ⑧ NH = For Lead Free soldering process and Halogen-Free

CF12 Series 1.25mm(.049")H=4.00/6.80 DIP LIF FFC/FPC Connectors

- ⊙ Tin plated contacts with kinked tail
- ⊙ Insulator: High temperature plastic UL 94V-0, Color Black



RoHS Compliant



Ordering Code

①
②
③
④
⑤
⑥
⑦
CF
12
36
1
V0
T
0
-
NH

- ① Series No.
- ④ Entry Options:
V0 = Straight
H0 = Right Angle
- ⑥ Other Options: 0 = Standard
*Special options consult manufacturer
- ② No. of Circuits: 03 ~ 36
- ⑤ Packing : T = Tube
- ⑦ NH = For Lead Free soldering process and Halogen-Free
- ③ Plating Code:
1 = Matte Tin over Nickel

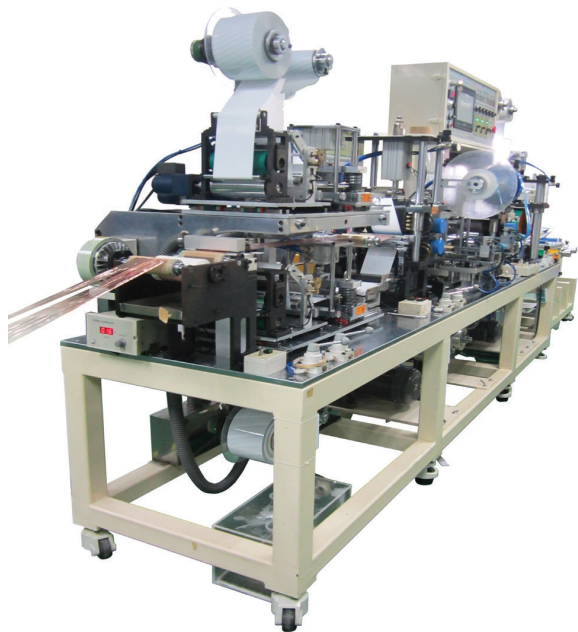
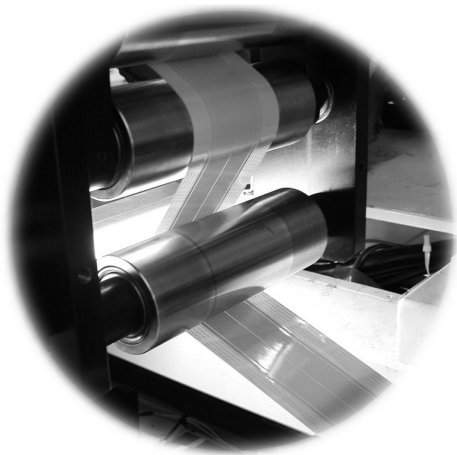
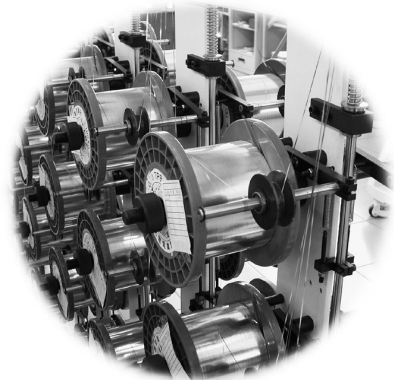
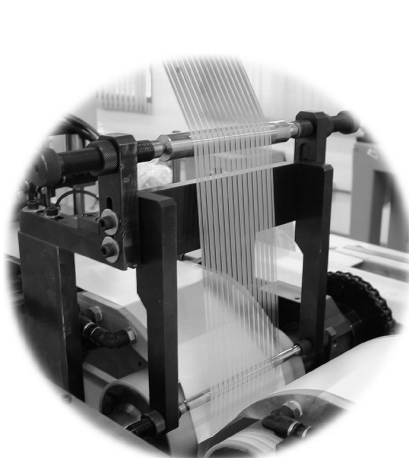
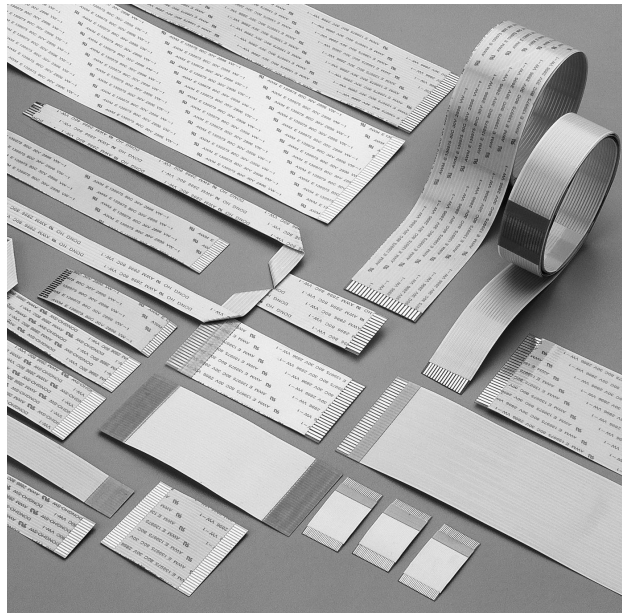
Introduction

FFC

To meet the demands of miniaturizing electronic products, to solve critical size requirement problem, CviLux now provides you low cost multiple pitches flat flexible cables in 0.5mm, 1.0mm, 1.25mm, and 2.54mm pitch per your requirements.

The insulation of Flat Flexible Cables is made of PET, there are options with variety of terminal types in both cable ends per your requirements. They are small, light weight, thin, flexible and easy to connect with CviLux CF series FFC connectors.

Our Flat Flexible Cable can be used several laminated copper wire, please refer to our product specification for detailed information. Customized FFC available, please consult sales person.



FLAT FLEXIBLE CABLE

Features/Advantages/Materials/Rating

RoHS Compliant

Features & Advantages

- ⊙ Light weight and flexible
- ⊙ Compactness of electronic products
- ⊙ Easy assembling and low production cost
- ⊙ Simple and clean internal design

Materials

- ⊙ Conductor : See ordering code
- ⊙ Insulation : Polyester (PET)
- ⊙ Adhesive layer : Flame retardant Polyvinyl chloride (PVC) or Polyester adhesive layer
- ⊙ Color : White or Black
- ⊙ Support Tape : Polyester (PET)
- ⊙ Adhesive layer : Polyester adhesive layer
- ⊙ Color : Blue

Rating

⊙ UL File No. : E208903

UL Style	Temp.	Volt.
2896	80°C	30V
20624	80°C	60V
20696	80°C	30V
20706	105°C	60V
20798	80°C	60V
20861	105°C	60V
20941	105°C	90V
20960	105°C	300V

*Standard Products: UL20706

*Other UL type required, please consult sale person.

Applications

- ⊙ Audio, Video, Scanner, Cordless Phone, Fax, Notebook, P.C., Monitor, Pad, Car audio, TV, Security equipment, Micro-motors, Home Appliance...etc.
- ⊙ Shield Type : EMI Application



Notebook P.C



PAD



Smart Phone



Digital Camera



Mobile



MFP



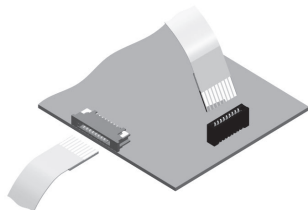
Monitor



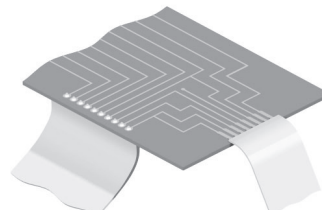
TV

Connectors

⊙ PLUG IN



⊙ SOLDERING



Ordering Code

1 **F F C**
2 **C**
3 **1 2**
4 **0 4**
5 **T**
6 **1**
7 **0 6 0**
8 **0**
9 **0**
10 **- 3**
11 **0 0**

- 1 Series No.
- 2 Conductor Pitch:

Code	Pitch(mm)
A	2.54
B	1.25
C	1.00
E	0.50





- 3 Number of Conductors
- 4 Material : Copper Conductor Size

Code	Size		Applying Pitch(mm)
	Thickness	Width	
01	0.10	1.27	2.54
02	0.10	0.80	1.25
03	0.05	0.80	
10	0.035	0.80	
04	0.10	0.70	1.00
05	0.05	0.70	
06	0.035	0.70	
14	0.05	0.65	
15	0.10	0.65	0.50
08	0.05	0.30	
09	0.035	0.30	

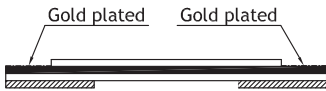
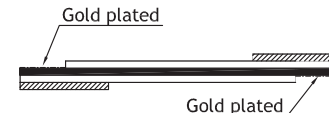
- 5 Plating code: T= Sn, Y=Gold flsch over Nickel
B=Gold plated 3μ" over bare copper
- 6 Terminal Types: See below Terminal Types table
Sn plated conductor use T1, T2, T7, T9. Gold conductor use G1/B1 and G2/B2
- 7 Overall Length
- 8 Strip Length: 0 = Standard
 - a When the conductor pitch is 0.5mm;
Standard strip length = 4.0mm
 - b When the conductor pitch is 1.0, 1.25 and 2.54mm;
Standard strip length = 5.0mm
 - c Other length options available
- 9 Support Tape Length: 0 = Standard
 - a When the conductor pitch is 0.5mm;
Standard length = 8.0mm
 - b When the conductor pitch is 1.0, 1.25 and 2.54mm;
Standard length = 10.0mm
 - c Other length options available
 - d Max. Support Tape length: 20.0mm
- 10 UL Style No.
-N = Non printing(Standard)
-3 = UL 20706(Standard) H=UL 20706(Halogen Free)
- 11 Other Option:
00 = Standard

Terminal Type Table

Sn Plated:

Code	Type	Code	Type
T1		T7	
T2		T9	

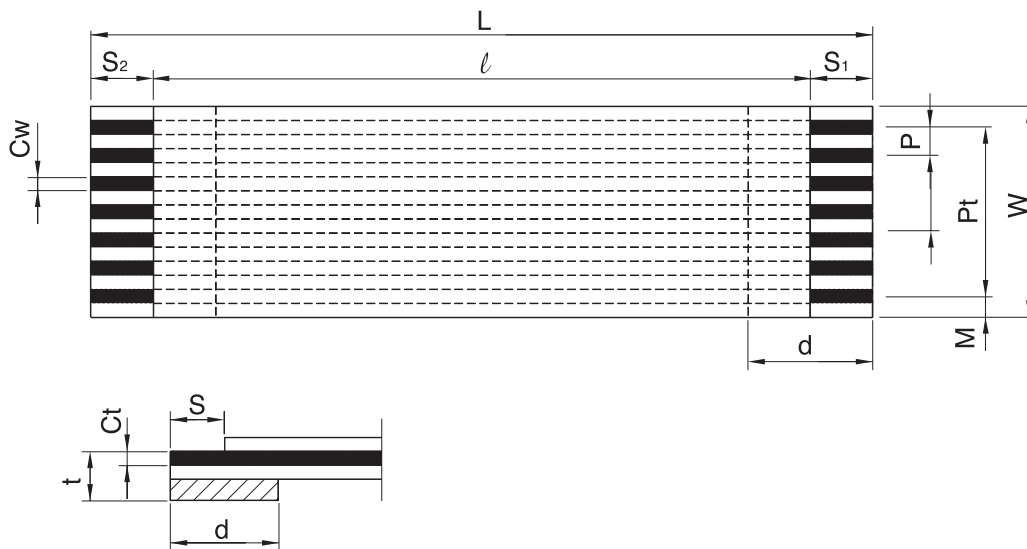
Gold Plated:

Code	Type	Code	Type
Y1/B1		Y2/B2	

Shape, Construction and Dimensions

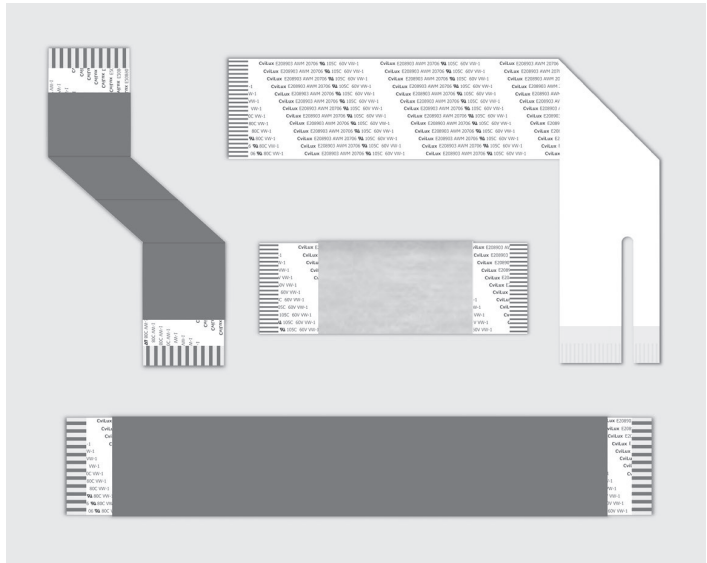
Unit:mm

No.	ITEM	Abbr.	FORMULATION	TOLERANCE			
				P=0.50	P=1.00	P=1.25	P=2.54
1.	Pitch	P	Typical	±0.05	±0.08	±0.10	±0.15
2.	Total pitch	Pt	$Pt=(n-1) \times P$	±0.08	±0.10	±0.15	±0.20
3.	Width	W	$W=(n+1) \times P$	±0.08	±0.10	±0.20	±0.20
4.	Margin	M	$M=(W-Pt)/2$	±0.08	±0.12	±0.15	±0.20
5.	Insulation length	ℓ	$\ell = L - (S_1 + S_2)$	(30-100)±3, (101-300)±5, (301-600)±10, (Length more than 601mm)±15mm			
6.	Total (Cable) length	L	$L = \ell + (S_1 + S_2)$				
7.	Strip length	S	When the terminal type is T1, T2 ; $S_1 = S_2$	4±1	5±1		
8.	Support tape length	d	$d = S \times 2$	8±2	10±2		
9.	Conductor width	Cw	Various	0.3±0.02	0.7±0.03	0.8±0.03	1.27±0.04
10.	Conductor thickness	Ct	Various	N/A	0.10±0.01		
				0.05±0.01			
				0.035±0.01			
11.	Terminal thickness	t	Typical	0.29~0.34			



Feature & Caution

This product is economic interconnect configurations including jumpers, formed, shielded, terminated and assembled cables, characterized by its excellent flexibility, space saving, light weight and easy assembly. It can be easily inserted or pulled out from the connector or directly soldered onto the PCB. We offer flexibility in design, where the number of conductors, pitch and length can be freely selected to meet any assembly requirements. This design partnership enables our customers to produce quality products at competitive costs.

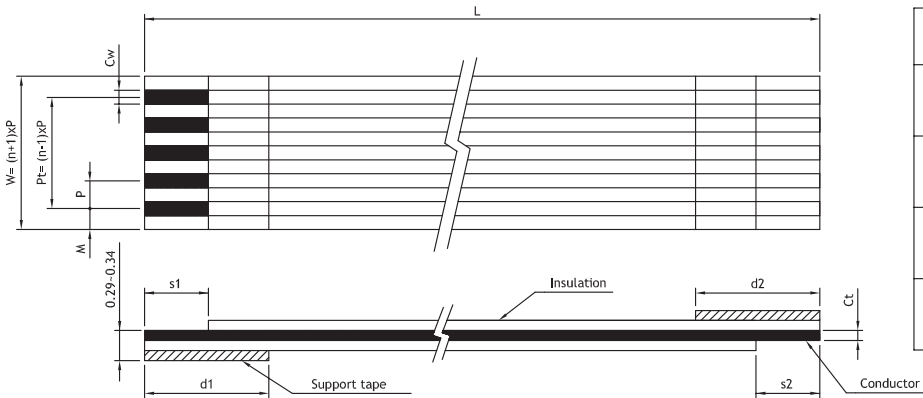


CAUTION

- ⊙ Please aware minimum order US\$1300 per item in requiring for FFC
- ⊙ Please fill up below form for standard configuration and indicate the quantities you will need for your order.
- ⊙ Formed, shielded, terminated and assembled cables, please submit drawing or sketch for quotation.

TYPE -

- ⊙ Please make a copy, fill up this form and send by fax or e-mail to us for sample request



TERMINAL TYPE	
T1	
T2	
T7	
T9	

UL Style		Terminal Type		Dimension									Support Tape Color
No.	No. of Conductor	P	Pt	L	W	M	Cw	Ct	S1	S2	d1	d2	

Performance

Electrical Performance

ITEM	TEST CONDITION	REQUIREMENT				
		Conductor size	Resistance	Remarks		
1.1	Conductor resistance	JIS C-3102 (at 20°C)	Ct	Cw	Tinned copper	
			0.1	1.27		less than 0.20 Ω/m
				0.80		less than 0.26 Ω/m
				0.70		less than 0.30 Ω/m
				0.65		less than 0.30 Ω/m
			0.05	0.80		less than 0.52 Ω/m
				0.70		less than 0.65 Ω/m
				0.65		less than 0.57 Ω/m
				0.30		less than 1.40 Ω/m
			0.035	0.80		less than 0.82 Ω/m
				0.70		less than 1.09 Ω/m
				0.30		less than 2.20 Ω/m
1.2	Dielectric strength	AC 500V 1 min	No breakdown			
1.3	Insulation resistance	DC 500V	More than 1000MΩ/m			

Mechanical Performance

ITEM	TEST CONDITION	REQUIREMENT
2.1	Elongation of insulator	JIS K-6732
2.2	Tensile strength of insulation	JIS K-6732
2.3	Abrasion test	φ 0.5mm, 600g, 60 cycles/min.
2.4	Pull-out test	–

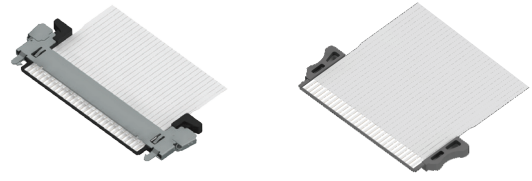
Environmental Performance

ITEM	TEST CONDITION	REQUIREMENT
3.1	Operation temperature	–
3.2	Heat resistance	110°C x 96 Hrs
3.3	Heat cycle test	-40°C→+25°C→+85°C→+25°C x 5 cycle
3.4	Moisture resistance	40°C, 95% RH x 96Hrs
3.5	Flame test	UL Sub.758
3.6	Flexing test	180° folding test

Flat Flexible Cable Assemblies - LVDS FFC Cable

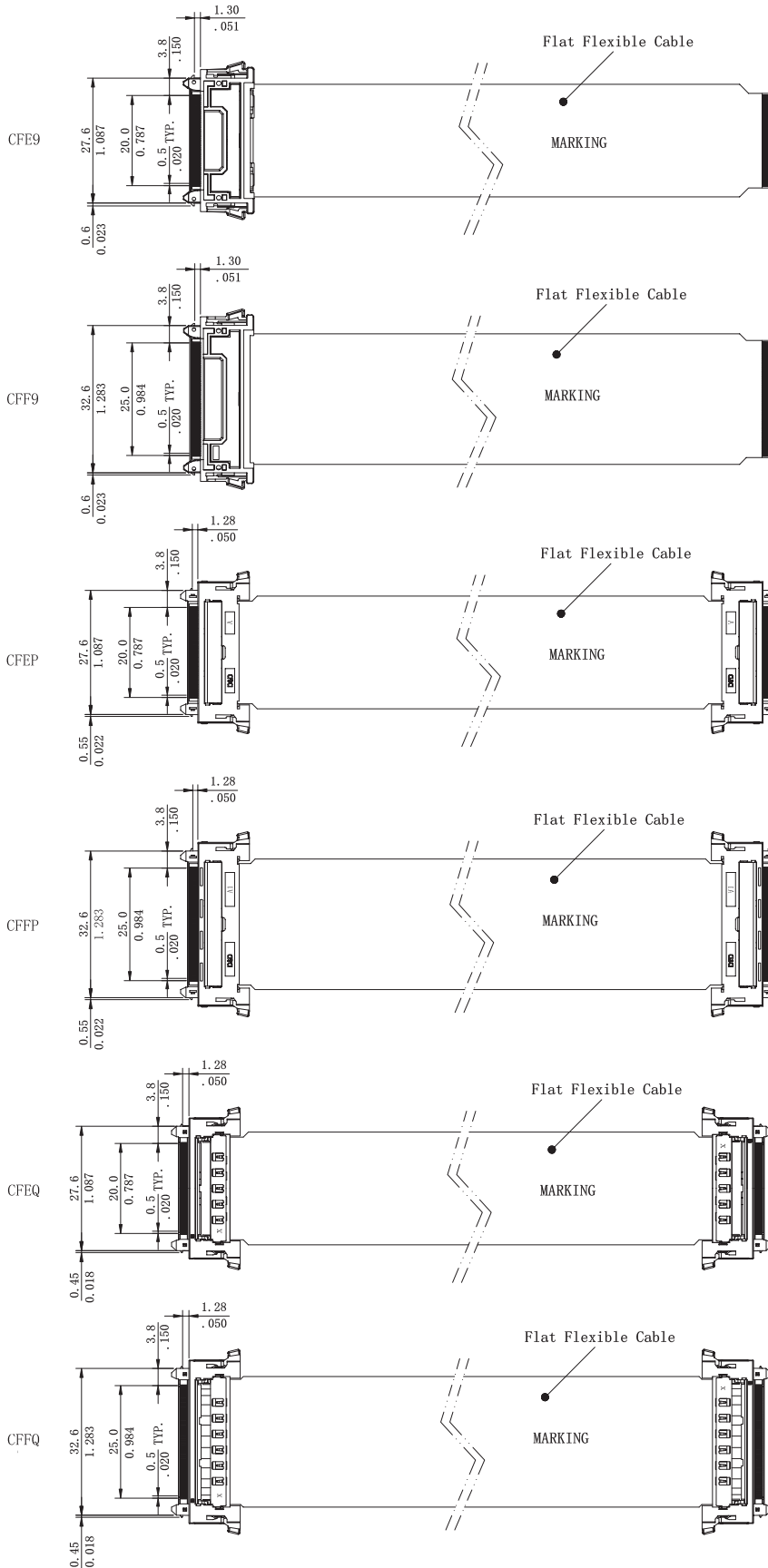
© LVDS interface for monitor & LCD TV application

RoHS Compliant



FFC

FLAT FLEXIBLE CABLE

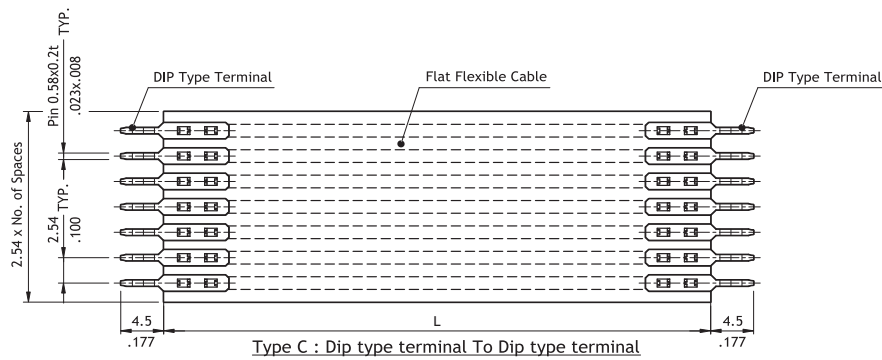
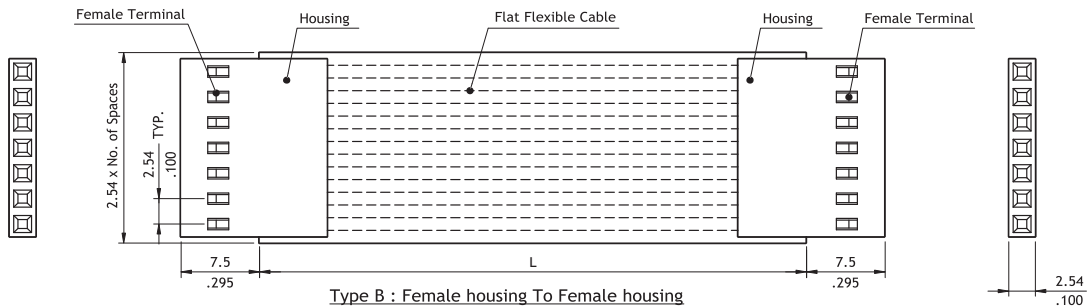
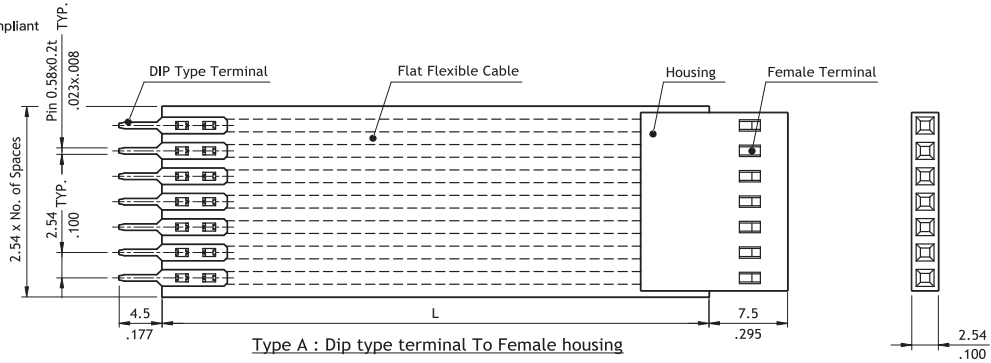


FFCA Series 2.54mm(.100") Flat Flexible Cable Assemblies

- ⓪ Designed for flat flexible cable assembly
- ⓪ Available receptacle and board in pierce contact
- ⓪ Can be mated standard 2.54mm(.100") Pin header
- ⓪ Stackable end to end / side by side
- ⓪ Piercing termination provide reliable connection
- ⓪ Low cost and high reliability



RoHS Compliant

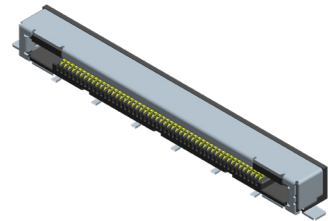


Ordering Code	①	②	③	④	⑤	⑥	⑦
	FFC	AS	A	07	01	063	00

① Series No.
 ② AS = Assembly
 ③ Type:
 A = DIP type terminal to Female housing
 B = Female housing to Female housing
 C = DIP type terminal to DIP type terminal
 ④ No. of Circuits: 02 to 13 for A and B Type
 ⑤ FFC Conductor Size(Thicknessx Width):
 01 = 0.1x1.27mm
 ⑥ FFC overall length:
 063 = 63mm (Custom length option)
 ⑦ Other Option: 00 = Standard
 *Special option consult manufacturer
 *Minimum Order Quantity:5000pcs / order

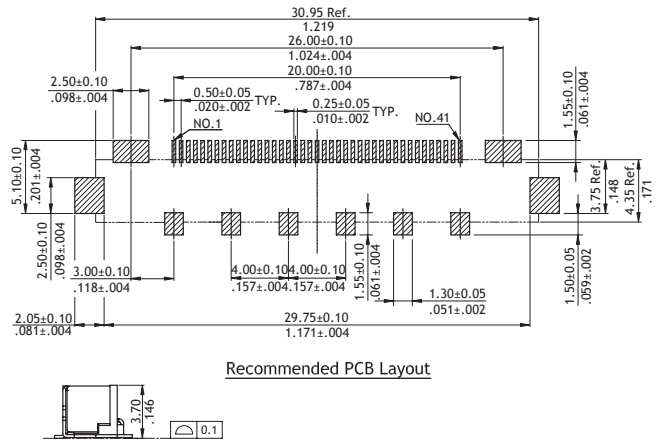
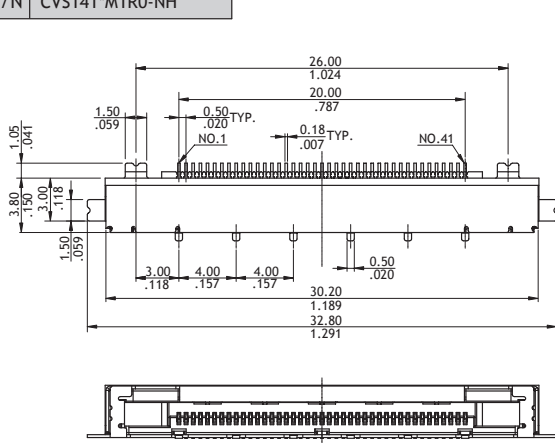
CVS1 Series 0.50mm(.020") H=3.70 LVDS Socket for TV

- ⊙ Connector Height: 3.7mm
- ⊙ Better PCB holding strength of a board side connector with hold-downs to be soldered
- ⊙ VESA standard connector for LCD interface of LCD television
- ⊙ Insulation: High temperature plastic UL 94V-0, Color Black
- ⊙ Contact: Copper Alloy
- ⊙ Shell: Stainless Steel

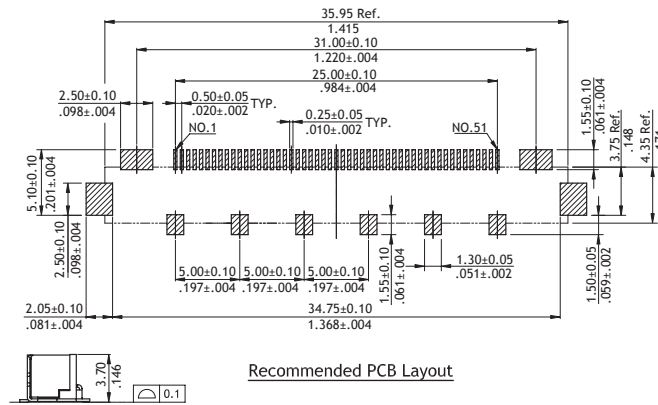
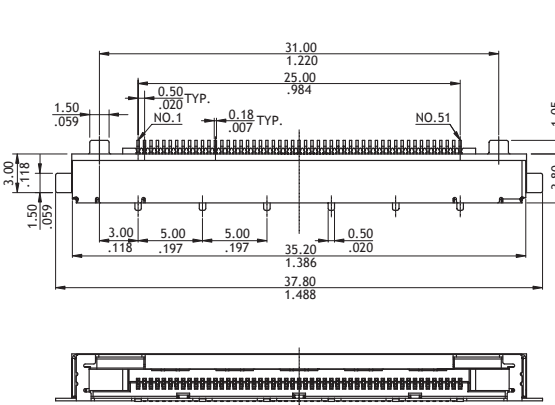


RoHS Compliant

P/N CVS141*M1R0-NH



P/N CVS151*M1R0-NH



Ordering Code

① ② ③ ④ ⑤ ⑥ ⑦ ⑧
CVS 1 51 D M 1 R 0 - NH

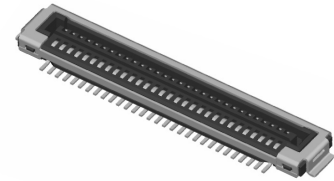
- ① Series No.
- ② No. of Circuits: 41,51
- ③ Plating Code:
D = Selective 10µ" Gold flash over Nickel
*Optional plating available but MOQ requested
- ④ M = SMT Type Header
- ⑤ Color: 1 = Black
- ⑥ Packing : R = Tape & Reel
T = Tube
- ⑦ Other Options:
0 = Standard
*Special options consult manufacturer
- ⑧ NH = For Lead Free IR process and Halogen-Free

CVS

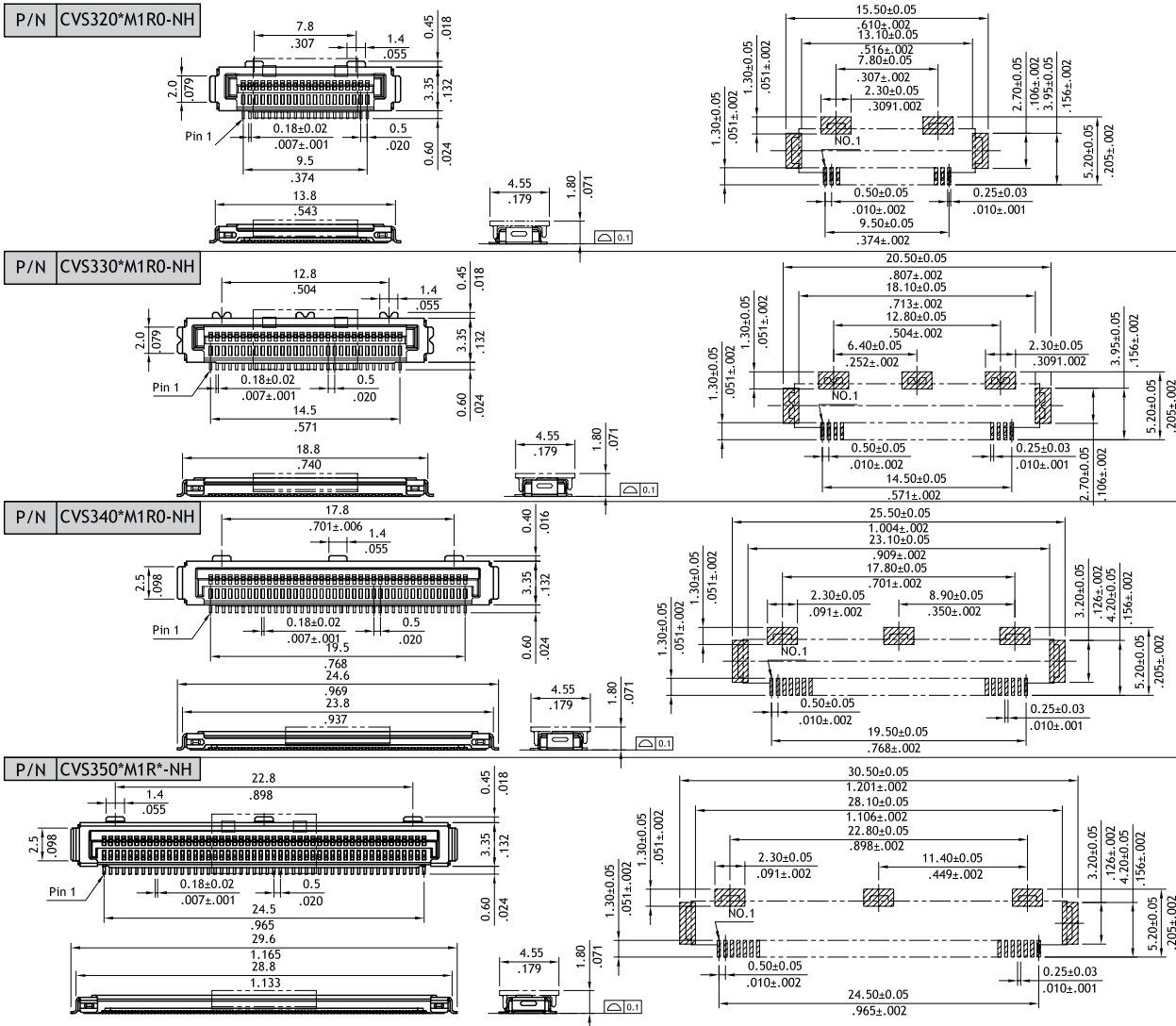
LVDS CONNECTORS

CVS3 Series 0.50mm(.020") M/H=2.00 LVDS Socket for NB

- ⊙ Mating Height 2.0mm
- ⊙ Product application: Laptop PC, NB
- ⊙ Insulation: High temperature plastic UL 94V-0, Color Black
- ⊙ Cap: High temperature plastic, Color Black
- ⊙ Shell: Copper Alloy
- ⊙ Contact: Copper Alloy



RoHS Compliant



Ordering Code

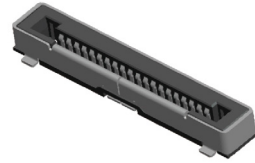
① ② ③ ④ ⑤ ⑥ ⑦ ⑧
CVS 3 5 0 2 M 1 R 0 - NH

- ① Series No.
- ② No. of Circuits: 20, 30, 40, 50
- ③ Plating Code:
2 = Gold flash over Nickel
*Optional plating available but MOQ requested

- ④ M = SMT Type Header
- ⑤ Color: 1 = Black
- ⑥ Packing: R = Tape & Reel
- ⑦ Other Options: 0 = Standard
*Special options consult manufacturer
- ⑧ NH = For Lead Free IR process and Halogen-Free

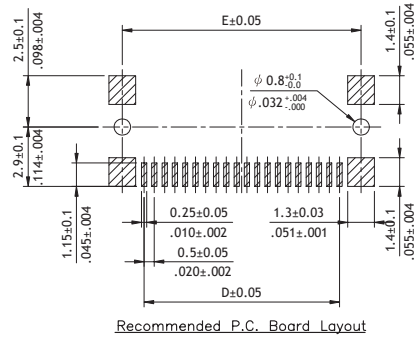
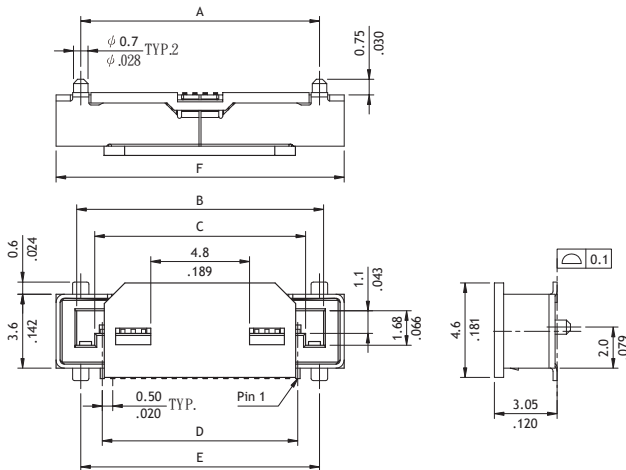
CVS5 Series 0.50mm(.020") M/H=4.00 LVDS Socket for NB

- ⊙ Mating Height: 4.0mm
- ⊙ Product application: NB, LCD
- ⊙ Insulation: High temperature plastic+Glass Fiber Filled Polyester,
- ⊙ UL 94V-0, Color Black
- ⊙ Cap: High temperature plastic, Color Black
- ⊙ Shell: Stainless Steel
- ⊙ Contact: Copper Alloy



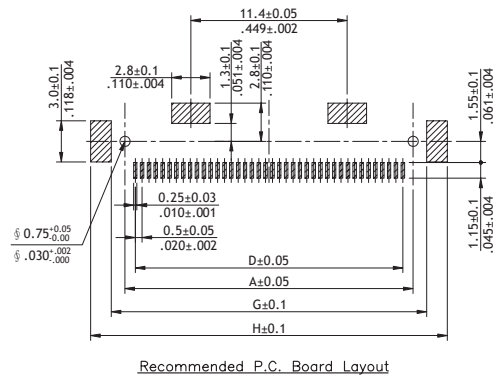
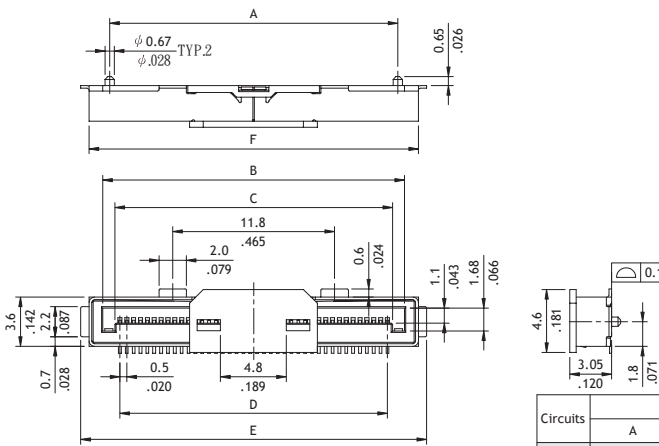
RoHS Compliant

P/N CVS520*M1R0-NH



Circuits	Dimension					
	A	B	C	D	E	F
20	11.60(.457)	12.00(.472)	10.24(.403)	9.50(.374)	11.60(.457)	14.0(.551)

P/N CVS5***M1RA-NH



Circuits	Dimension							
	A	B	C	D	E	F	G	H
30	16.00(.630)	17.00(.670)	15.24(.600)	14.50(.571)	20.2(.795)	19.0(.748)	18.0(.709)	21.0(.827)
40	21.00(.827)	22.00(.866)	20.24(.797)	19.50(.758)	25.2(.992)	24.0(.945)	23.0(.906)	26.0(1.024)

Ordering Code

① ② ③ ④ ⑤ ⑥ ⑦
CVS5 40 2 M 1 RA - NH

- ① Series No.
- ② No. of Circuits: 20, 30, 40
- ③ Plating Code:
2 = Gold flash over Nickel
*Optional plating available but MOQ requested
- ④ M = SMT Type
- ⑤ Color: 1 = Black
- ⑥ Packing : R0 = Tape & Reel 2000PCS (20pin)
RA = Tape & Reel 1250PCS (30,40pin)
*Special options consult manufacturer
- ⑦ NH = For Lead Free IR process and Halogen-Free

CVSC Series 1.00mm(.039")H=2.35 LVDS Socket for TV / Monitor

- ⊙ Connector Height 2.35mm
- ⊙ Board-to-cable for high density packaging
- ⊙ Polarization for preventing erroneous mating
- ⊙ Excellent in EMI shielding (With metal shell)
- ⊙ Insulation: High temperature plastic UL 94V-0, Color Nature
- ⊙ Contact: Phosphor Bronze
- ⊙ Ground: Phosphor Bronze
- ⊙ Shell: Phosphor Bronze

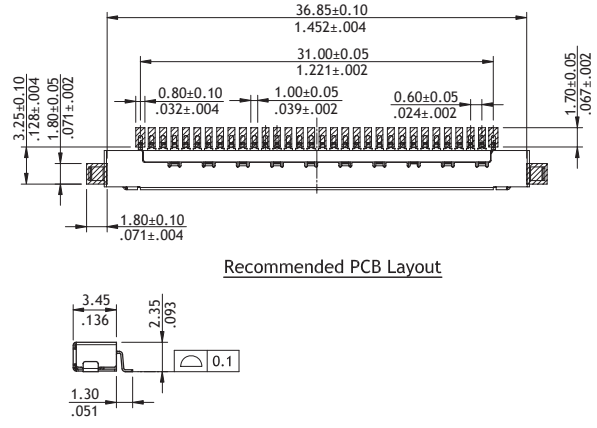
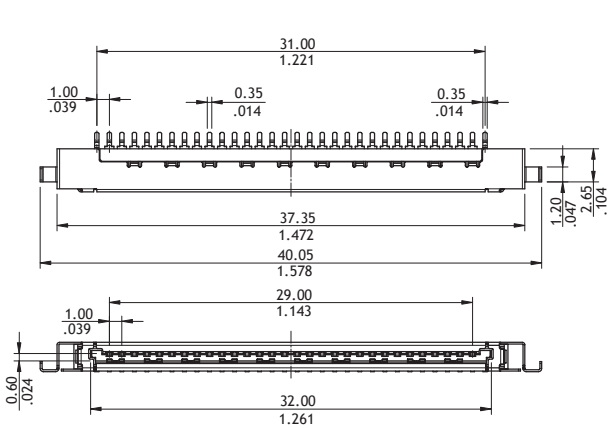
NEW



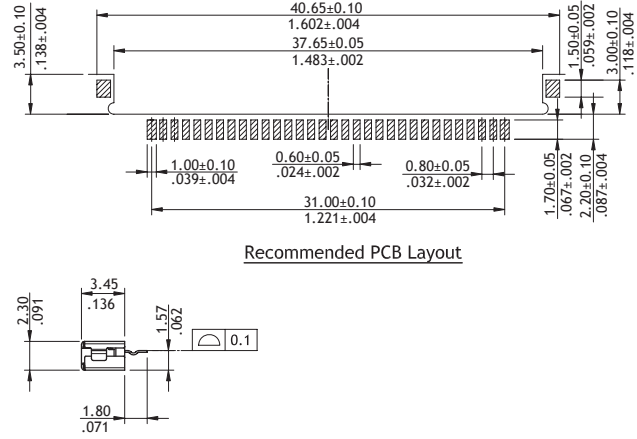
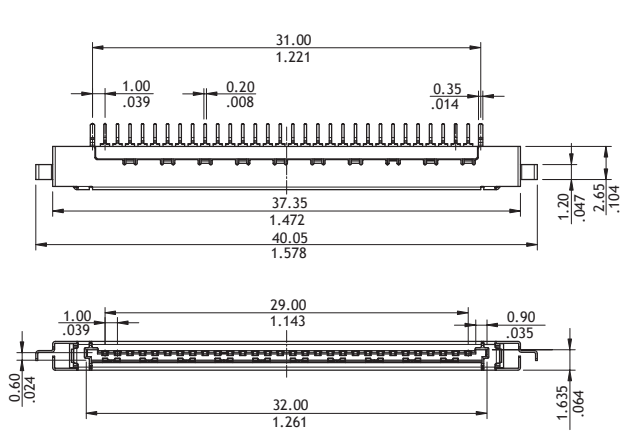
CVS

RoHS Compliant

P/N CVSC30DTOR0-NH



P/N CVSC30DBOR0-NH



Ordering Code

① CV SC ② 30 ③ D T ④ 0 R ⑤ 0 - NH ⑥ ⑦ ⑧

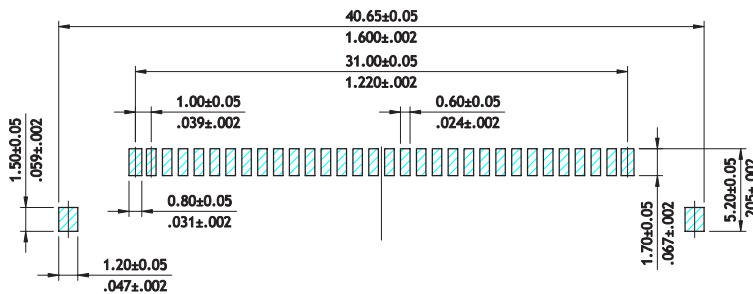
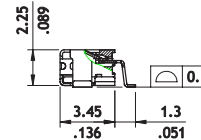
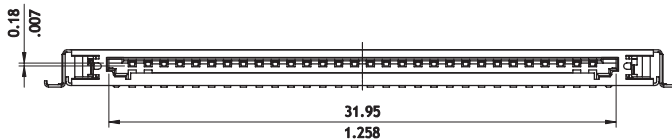
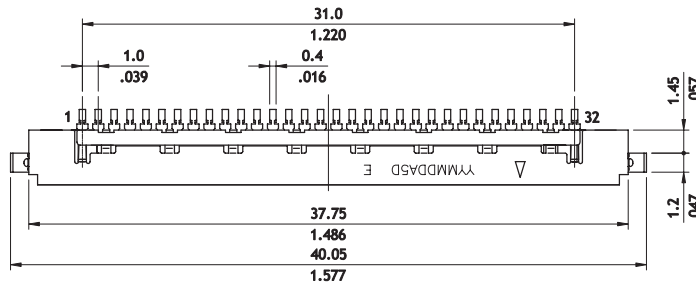
- ① Series No.
- ② No. of Circuits: 30
- ③ Plating Code:
D = Selective 10µ" Gold flash over Nickel
- ④ Contact Style:
T = Top Mount
B = Bottom Mount
- ⑤ Color: 0 = Nature
- ⑥ Packing : R = Tape & Reel
- ⑦ Other Options: 0 = Standard
- ⑧ NH = For Lead Free IR process and Halogen-Free

LVDS CONNECTORS

CVSC Series 1.00mm(.039")H=2.35 LVDS Socket for TV / Monitor

NEW

- ⊙ Connector Height 2.35mm
- ⊙ Board-to-cable for high density packaging
- ⊙ Polarization for preventing erroneous mating
- ⊙ Excellent in EMI shielding (With metal shell)
- ⊙ Insulation: High temperature plastic UL 94V-0, Color Nature
- ⊙ Contact: Phosphor Bronze
- ⊙ Ground: Phosphor Bronze
- ⊙ Shell: Phosphor Bronze



Recommended P.C. Board Layout

Ordering Code

① ② ③ ④ ⑤ ⑥ ⑦
CVSC30NT0RA-NH

① Series No.

② No. of Circuits : 30

③ Plating Code:

N = Contact: 1μ"Gold plated over Nickel
 Solderails: Gold flash plated over Nickel

④ Contact Style:

T = Top Mount
 ⑤ Color: 0 = Nature

⑥ Packing: RA= Tape & Reel

⑦ NH = For Lead Free IR process and Halogen-Free

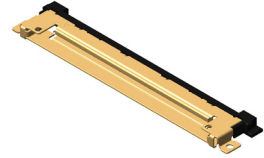
CVS

LVDS CONNECTORS

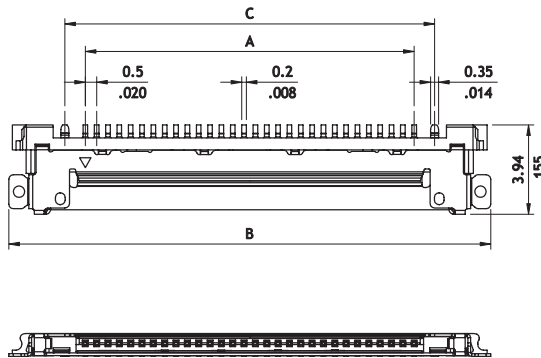
CVS7 Series 0.50mm(.020")MH=1.05 LVDS Socket Connectors

- ⊙ Mating Height: 1.05mm
- ⊙ Product application: LCD display control
- ⊙ Insulation: High temperature plastic UL 94V-0, Color Black
- ⊙ Shell: Copper Alloy
- ⊙ Contact: Copper Alloy

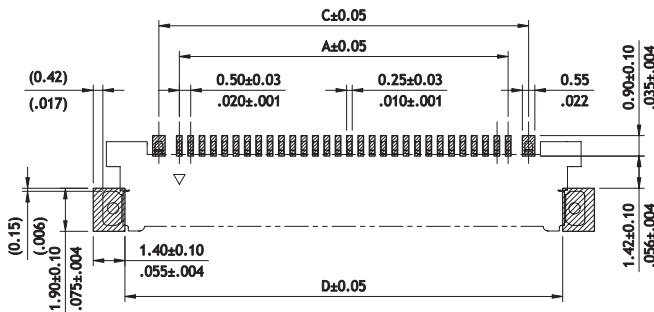
NEW



RoHS Compliant



Circuits	Dimension			
	A	B	C	D
30	14.50(.571)	21.25(.837)	16.30(.642)	19.30(.760)
40	19.50(.768)	26.25(1.034)	21.30(.839)	24.30(.957)
50	24.50(.965)	31.25(1.250)	26.30(1.035)	29.30(1.154)



Recommended P.C. Board Layout

Ordering Code

① ② ③ ④ ⑤ ⑥ ⑦
CVS7 40 2 M 1 RC - NH

- ① Series No.
- ② No. of Circuits: 30, 40, 50
- ③ Plating Code:
2 = Gold flash over Nickel
- ④ M = SMT Type
- ⑤ Color: 1 = Black
- ⑥ Packing:
RC = Tape & Reel (Standard)
- ⑦ NH = For Lead Free IR process and Halogen-Free

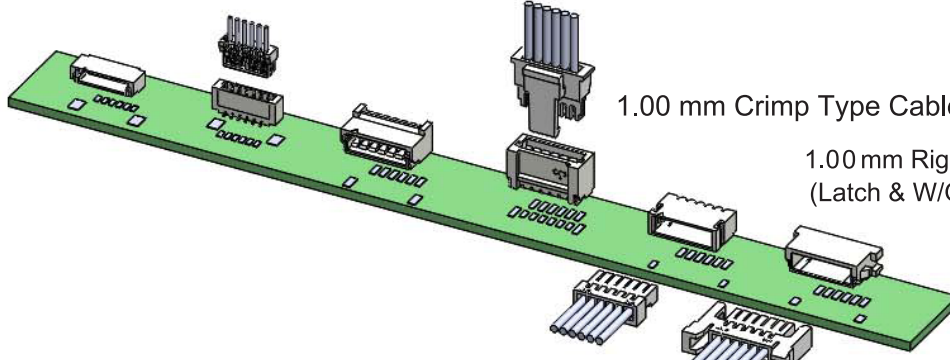
Connection Combination of Wire to Board Connectors

CI

0.80mm Right angle & Stranght SMT Type

0.80mm IDC Type Cable

0.80mm Right angle & Stranght SMT Type



1.00 mm Crimp Type Cable

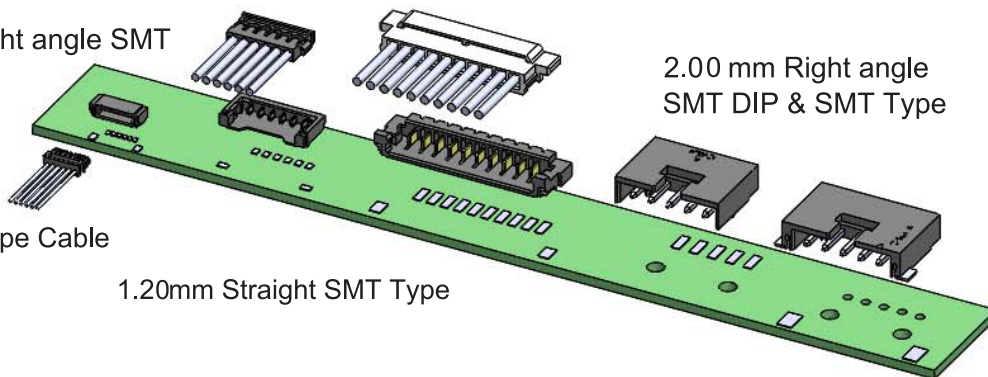
1.00 mm Right angle SMT Type (Latch & W/O Latch)

1.00mm Crimp Type Cable (Latch & W/O Latch)

1.20 mm Crimp Type Cable

1.50 mm Crimp Type Cable

0.60mm Right angle SMT



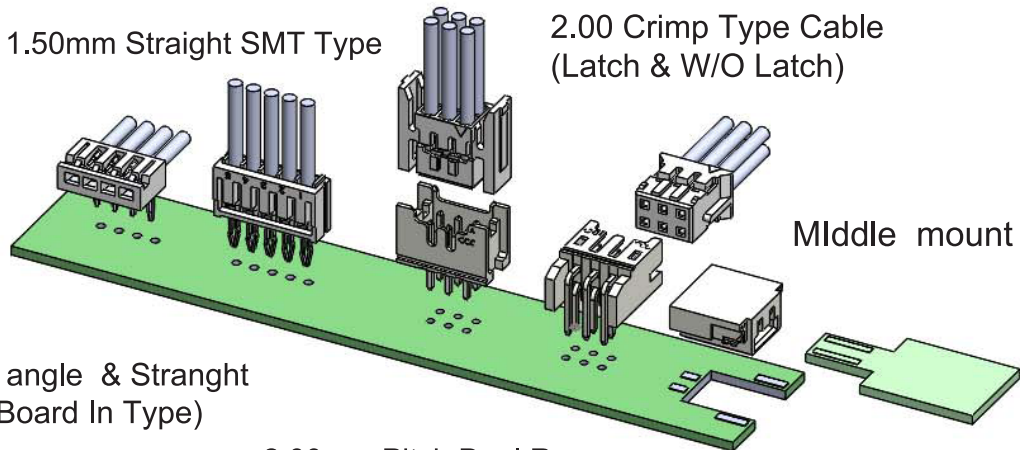
2.00 mm Right angle SMT DIP & SMT Type

0.80mm IDC Type Cable

1.20mm Straight SMT Type

1.50mm Straight SMT Type

2.00 Crimp Type Cable (Latch & W/O Latch)



Middle mount Type

2.00mm Right angle & Stranght Crimp Cable (Board In Type)

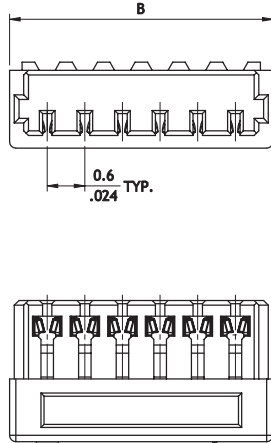
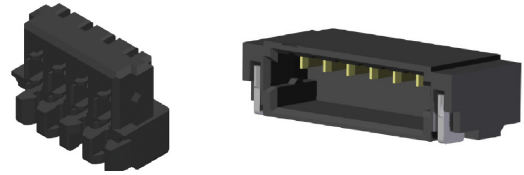
2.00mm Pitch Dual Row Right angle & Stranght DIP Type (Latch & W/O Latch)

WIRE TO BOARD CONNECTORS

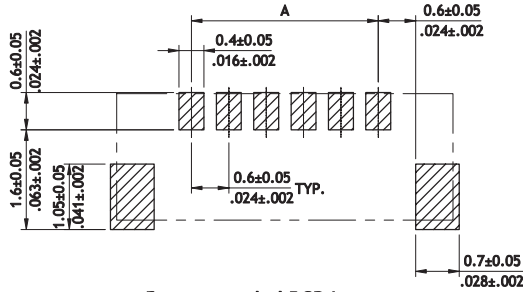
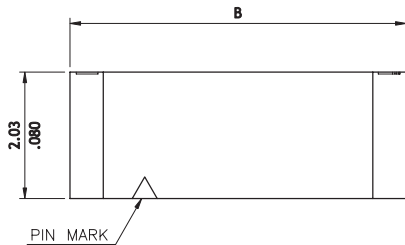
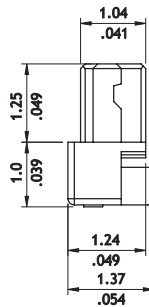
CI20 Series 0.60mm(.024") Wire to Board Housing & SMT Headers

- ⊙ Fixed tabs provide PCB hold-down
- ⊙ Locking slots provide secure mating
- ⊙ Insulator: High temperature plastic UL 94V-0, Color Black
- ⊙ Applicable Wire: AWG #34 (Insulation O.D.: 0.32±0.02mm)

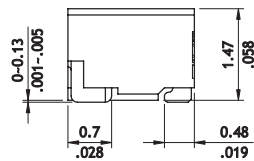
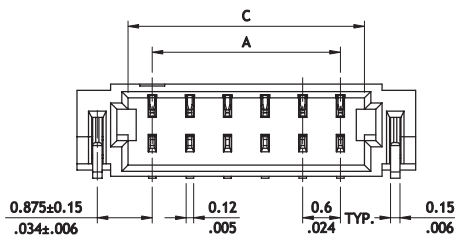
RoHS Compliant



Circuits	Dim. B
4	3.0(.118)
5	3.6(.142)
6	4.2(.165)
7	4.8(.189)
8	5.4(.213)
10	6.6(.260)
12	7.8(.307)
14	9.0(.354)
16	10.2(.402)



Recommended PCB Layout



Circuits	Dimension		
	A	B	C
6	3.0(.118)	5.4(.213)	3.78(.149)
8	4.2(.165)	6.6(.260)	4.98(.196)
10	5.4(.213)	7.8(.307)	6.18(.243)
12	6.6(.260)	9.0(.354)	7.38(.291)

Ordering Code

① CI20 ② 06 ③ S ④ 2 ⑤ 000 - ⑥ NH ① CI20 ② 06 ③ M ④ 2 ⑤ H ⑥ R ⑦ 0 - ⑧ NH

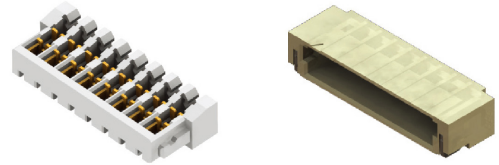
- ① Series No.
- ② No. of Circuits: 4~8,10,12,14,16
- ③ S = Housing
- ④ Plating Code :
2 = Gold flash over Nickel
- ⑤ Other Options: 000 = Standard
- ⑥ NH = For Halogen-Free

- ① Series No.
- ② No. of Circuits: 6, 8, 10, 12
- ③ M = SMT Type
- ④ Plating Code:
2 = Gold flash over Nickel
- ⑤ Type: H = Side Entry

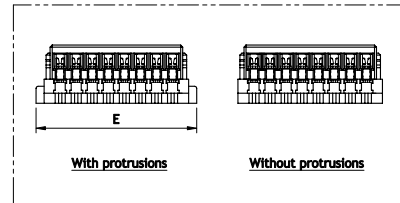
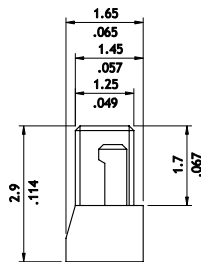
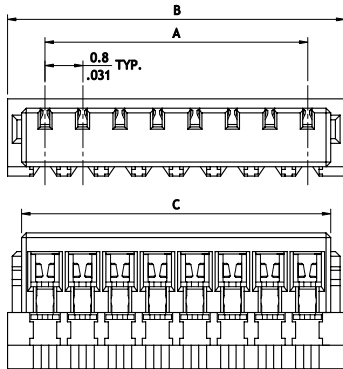
- ⑥ Packing Options:
R = Tape & Reel
- ⑦ Other Options:
0 = Standard
- ⑧ NH = For Lead Free IR process and Halogen-Free

C118 Series 0.80mm(.031") Wire to Board Housing & SMT Headers

- ⊙ Fixed tabs provide PCB hold-down
- ⊙ Insulator: High temperature plastic UL 94V-0, Color Nature
- ⊙ Housing: High temperature plastic UL 94V-0, Color Nature

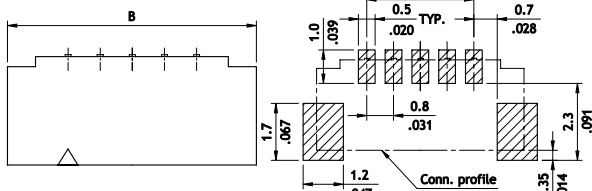


RoHS Compliant

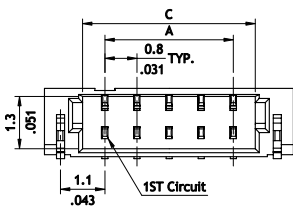


$A = 0.8 \times \text{No. of Spaces}$
 $B = A + 1.6$
 $C = A + 1.0$
 $E = A + 2.4$

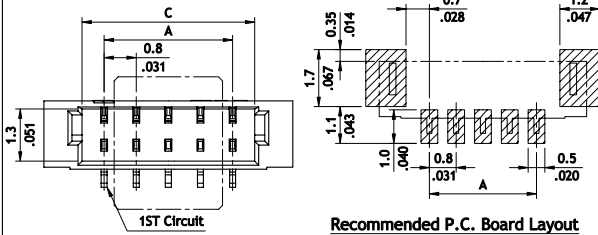
Wire Range	Insulation Diameter
AWG #32	0.39 mm (.015)



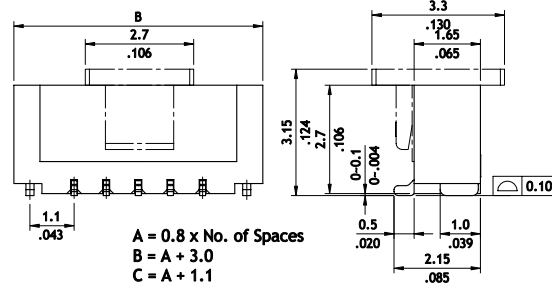
Recommended P.C. Board Layout



$A = 0.8 \times \text{No. of Spaces}$
 $B = A + 3.0$
 $C = A + 1.1$



Recommended P.C. Board Layout



$A = 0.8 \times \text{No. of Spaces}$
 $B = A + 3.0$
 $C = A + 1.1$

Ordering Code

① C118 ② 15 ③ S ④ 2 ⑤ 000 - ⑥ NH

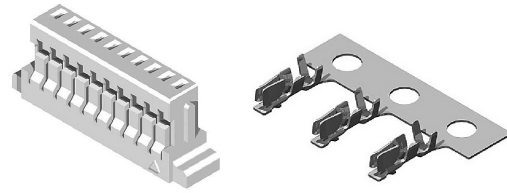
- ① Series No.
- ② No. of Circuits: 02 ~ 15
- ③ S = Housing
- ④ Plating Code:
1 = Matte Tin over Nickel
2 = Gold flash over Nickel
- ⑤ Other Options: 000 = AWG #32(Standard)
00A = AWG #36(with protrusions)
- ⑥ NH = For Lead Free and Halogen-Free

① C118 ② 15 ③ M ④ 2 ⑤ H ⑥ R ⑦ 0 - ⑧ NH

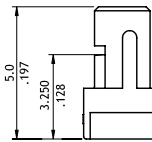
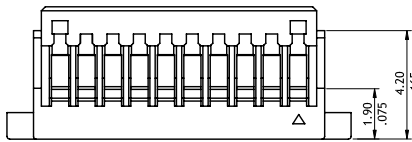
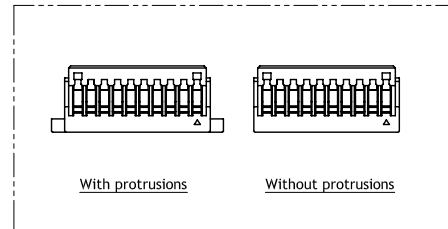
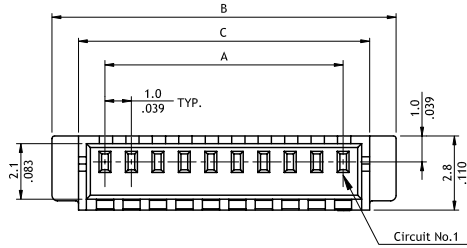
- ① Series No.
- ② No. of Circuits: 02 ~ 15
- ③ M = SMT Type
- ④ Plating Code: 1 = Matte Tin over Nickel
2 = Gold flash over Nickel
- ⑤ Type: V = Top Entry ; H = Side Entry
- ⑥ Packing Options: R = Tape & Reel
- ⑦ Other Options: 0 = Standard
- ⑧ NH = For Lead Free IR process and Halogen-Free

CI11 Series 1.00mm(.039") Single Row Wire to Board Housing & Terminal

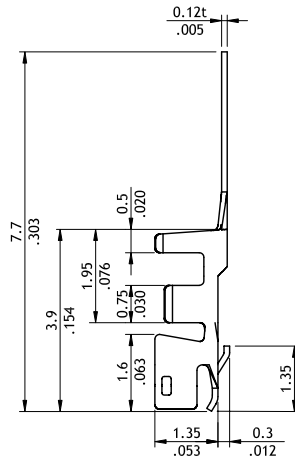
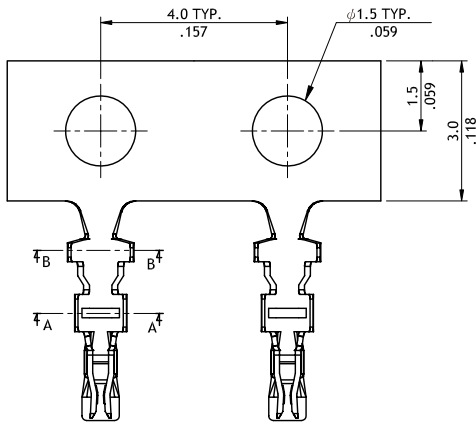
- ⊙ Insulator: Nylon 66 UL 94V-0, Color Nature
- ⊙ Terminal: Tin plated, Phosphor Bronze
- ⊙ Mate with CI11 headers
- ⊙ Compact design
- ⊙ Protrusions design for easy pull out



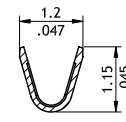
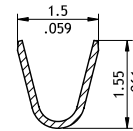
RoHS Compliant



A = 1.0 x No. of Spaces
 B = A + 4.0
 C = A + 2.0



Wire Range	Insulation Diameter	Reel Qty
AWG #28-#32	0.4-0.8(mm) (.016-.031)	16,000 PCS



Ordering Code

① C ② I ③ 11 ④ 15 ⑤ S ⑥ 000 ⑦ 0 ⑧ - ⑨ NH

- ① Series No.
- ② No. of Circuits: 02 ~ 15, 18, 20, 26
- ③ S = Housing
- ④ 000 = With Protrusions
N00 = Without Protrusions
- ⑤ Other Options: 0 = Standard
*Special options consult manufacturer
- ⑥ NH =For Lead Free and Halogen-Free

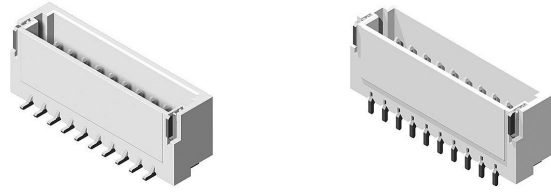
① CI ② 11 ③ T01 ④ 1 ⑤ P ⑥ P0

- ① Series No.
- ② Type: T01= AWG #28 ~ #32
- ③ Plating Code: 1 = Tin over Nickel
- ④ Material: P = Phosphor Bronze
- ⑤ Other Options: P0 = Standard

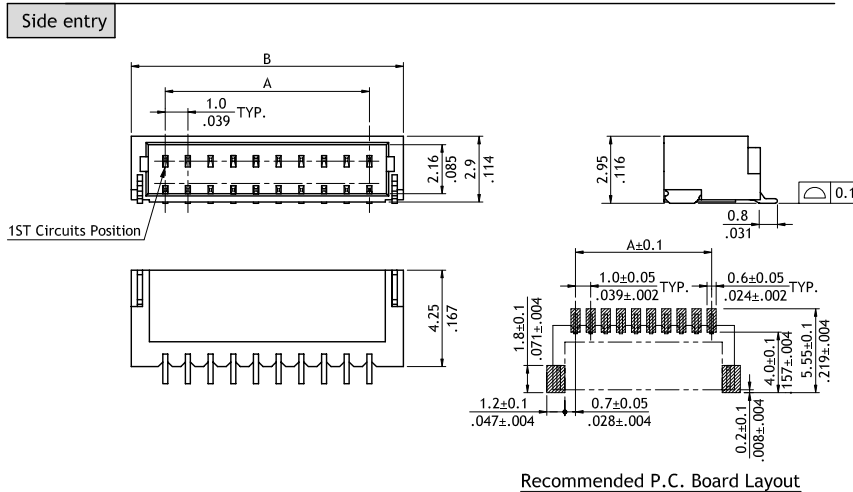
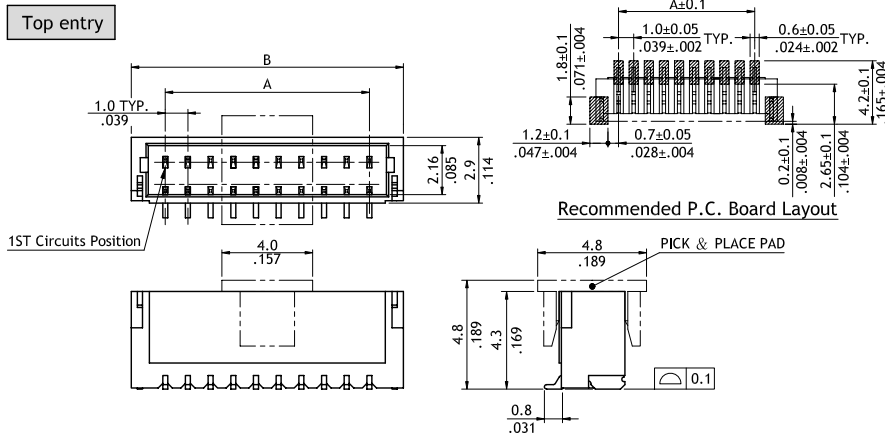
CI11 Series 1.00mm(.039") Single Row Wire to Board SMT Headers

- ⊙ Polarization and Low-profile
- ⊙ Locking slots provide secure mating
- ⊙ Fixed tabs provide PCB hold-down
- ⊙ Mate with CI11 housing
- ⊙ With Tin plated SMT type contact

RoHS Compliant 



CI



Circuits	Dimension	
	A	B
2	1.0(.039)	4.0(.157)
3	2.0(.079)	5.0(.197)
4	3.0(.118)	6.0(.236)
5	4.0(.157)	7.0(.276)
6	5.0(.197)	8.0(.315)
7	6.0(.236)	9.0(.354)
8	7.0(.276)	10.0(.394)
9	8.0(.315)	11.0(.433)
10	9.0(.354)	12.0(.472)
11	10.0(.394)	13.0(.512)
12	11.0(.433)	14.0(.551)
13	12.0(.472)	15.0(.591)
14	13.0(.512)	16.0(.630)
15	14.0(.551)	17.0(.669)
18	17.0(.669)	20.0(.787)
20	19.0(.748)	22.0(.866)
24	23.0(.906)	26.0(1.024)
26	25.0(.984)	28.0(1.102)

Ordering Code

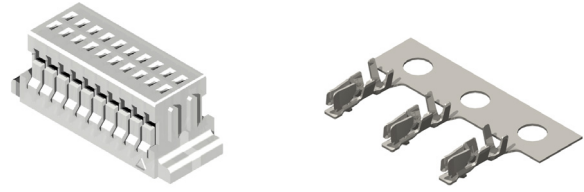
① CI11 ② 15 ③ M ④ 1 ⑤ V ⑥ R0 - ⑦ NH

- ① Series No.
- ② No. of Circuits:
02 ~ 15, 18, 20, 24, 26
- ③ M = SMT Type
- ④ Plating Code:
1 = Matte Tin over Nickel

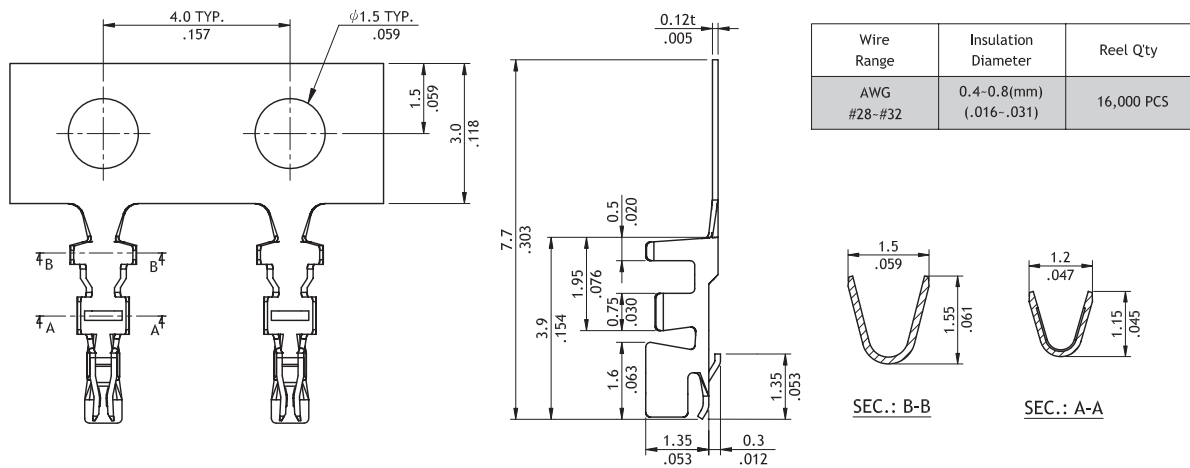
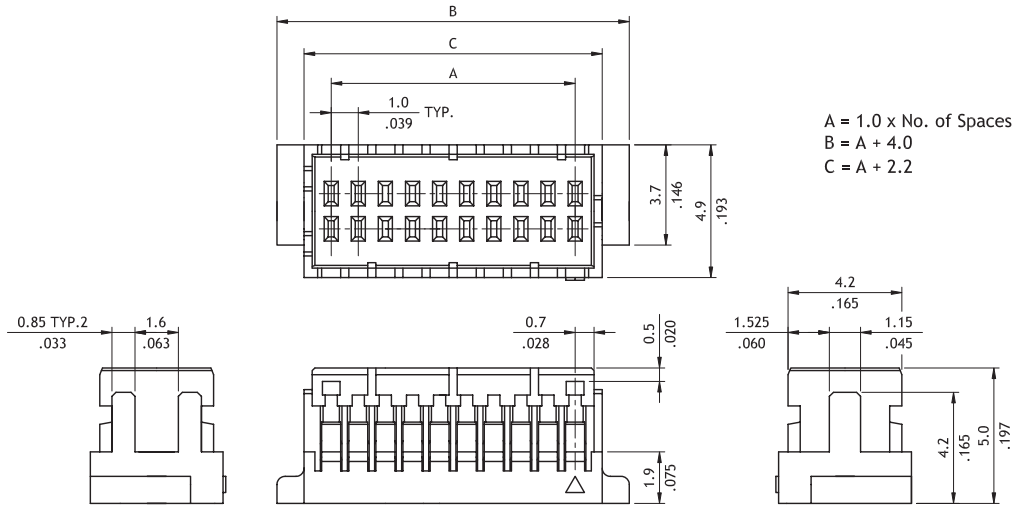
- ⑤ Type : V = Top Entry
 H = Side Entry
- ⑥ Packing Options:
R0 = Tape & Reel(Top entry type with pick & place pad)
T0 = Tube
- ⑦ NH = For Lead Free and Halogen-Free

CI11 Series 1.00mm(.039") Dual Row Wire to Board Housing & Terminal

- ⊙ Insulator: Nylon 66 UL 94V-0, Color Nature
- ⊙ Terminal: Tin plated, Phosphor Bronze
- ⊙ Mate with CI11 headers
- ⊙ Compact design
- ⊙ Protrusions design for easy pull out



RoHS Compliant



Ordering Code

① C ② I ③ 11 ④ 50 ⑤ S ⑥ D ⑦ 000 - ⑧ NH

- ① Series No.
- ② No. of Circuits: 10,12,14, 16, 20, 30, 40, 50
- ③ S = Housing
- ④ D=Dual Row Type
- ⑤ Other Options: 000 = Standard
- *Special options consult manufacturer
- ⑥ NH = For Halogen-Free

① C ② I ③ 11 ④ T01 ⑤ 1 ⑥ P ⑦ PH

- ① Series No.
- ② Type:T01= AWG #28-#32
- ③ Plating Code: 1= Tin over Nickel
- ④ Material: P=Phosphor Bronze
- ⑤ Other Option:PH= Low Single contact force

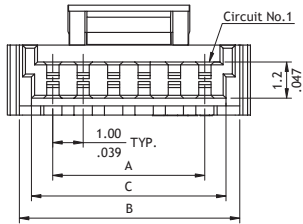
CI16 Series 1.00mm(.039") Wire to Board Connectors Housing & Terminal

- ⊙ Mate with CI16 header
- ⊙ Can be used with CI16 crimp clip terminal
- ⊙ Insulator: Nylon 66 UL 94V-0, Color Nature



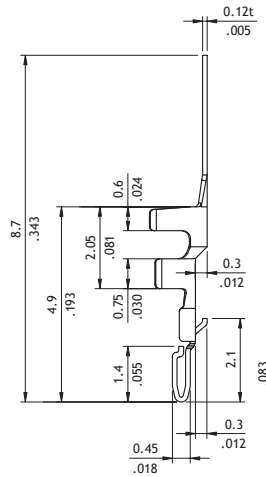
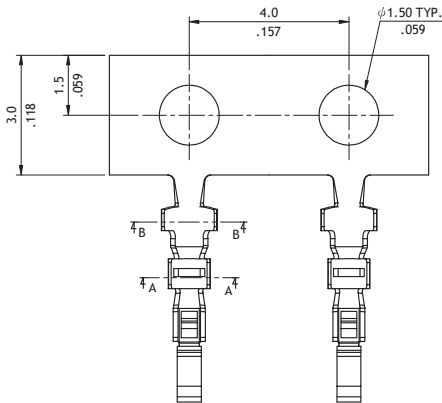
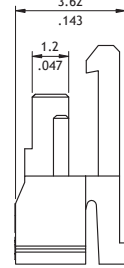
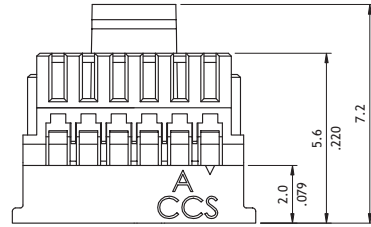
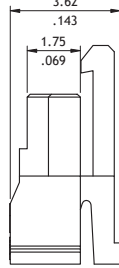
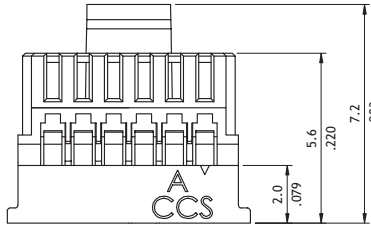
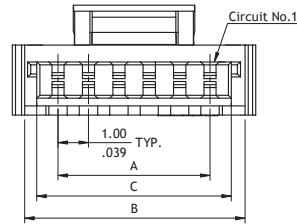
RoHS Compliant

P/N CI16**SL00A-NH

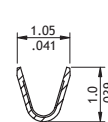


DIM. A = 1.00 x No. of Spaces
 DIM. B = DIM. A + 2.00
 DIM. C = DIM. A + 1.50

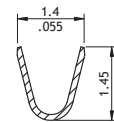
P/N CI16**SL000-NH



Wire Range	Insulation Diameter	Reel Qty
AWG #28-#32	0.78-0.92(mm) (.031-.036)	16,000 PCS.



SEC.: A-A



SEC.: B-B

Ordering Code

① C ② 16 ③ 20 ④ S ⑤ L ⑥ 00A - NH

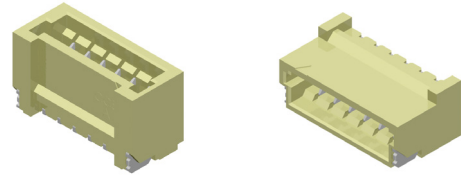
- ① Series No.
- ② No. of Circuits: 02 ~ 20
- ③ S = Connector housing
- ④ L=With Locking Latch
- ⑤ Other Options: 00A =Type 1 (Standard)
000 =Type 2
- ⑥ NH = For Halogen-Free

① C ② 16 ③ T01 ④ 1 ⑤ P E0

- ① Series No.
- ② Type:T01= AWG #28~#32
- ③ Plating Code: 1= Tin over Nickel
- ④ Material: P=Phosphor Bronze
- ⑤ Other Option: E0=Standard

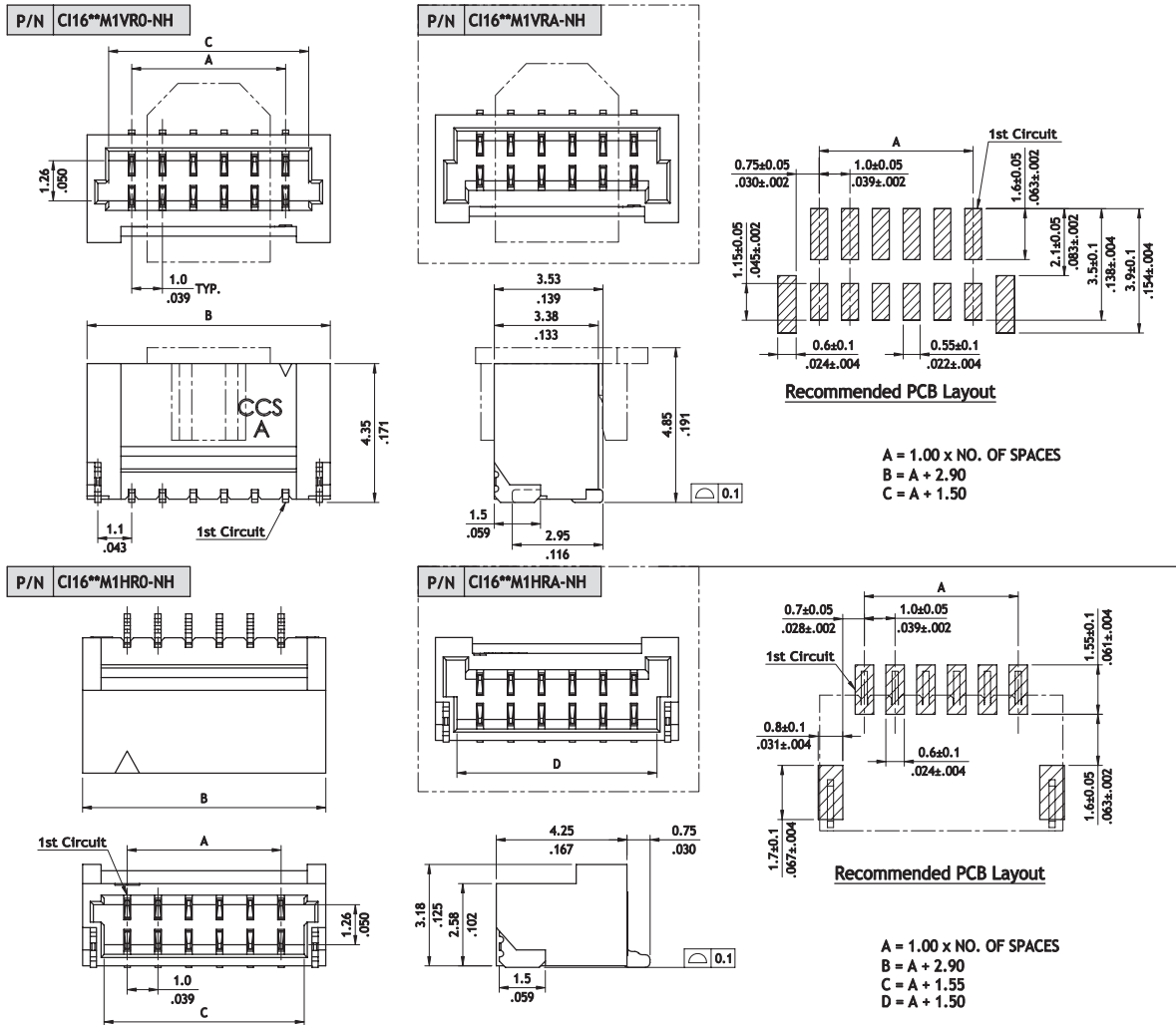
CI16 Series 1.00mm(.039") Wire to Board Connectors SMT Headers

- Ⓞ Fixed tabs provide PCB hold-down
- Ⓞ Mate with CI16 housing
- Ⓞ Insulator: High temperature plastic UL 94V-0, Color Nature
- Ⓞ Terminal: Tin plated Phosphor Bronze



RoHS Compliant

CI



Ordering Code

① ② ③ ④ ⑤ ⑥ ⑦ ⑧
CI16 20 M 1 V R A - NH

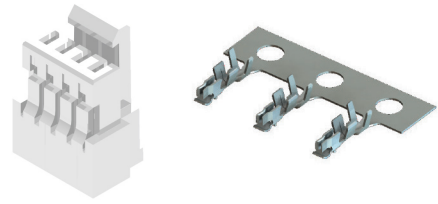
- ① Series No.
- ② No. of Circuits: 02 ~ 20
- ③ M = SMT Type
- ④ Plating Code: 1 = Matte Tin over Nickel
- ⑤ Type: V = Top Entry
H = Side Entry
- ⑥ Packing Options: R = Tape & Reel
- ⑦ Other Option: A = Type 1 (Standard)
0 = Type 2
- ⑧ NH = For Lead Free IR Process and Halogen-Free

WIRE TO BOARD CONNECTORS

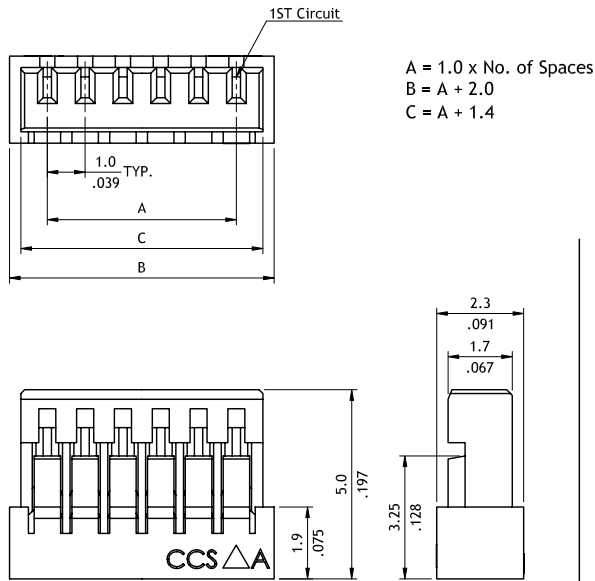
CI14 Series 1.00mm(.039") Wire to Board Connectors Housing & Terminal

- ⊙ Mate with CI14 Header
- ⊙ Can be used with CI14 crimp clip terminal
- ⊙ Insulator: Glass filled polyester or Nylon 66 UL 94V-0, Color Nature
- ⊙ Terminal: Tin plated Phosphor Bronze

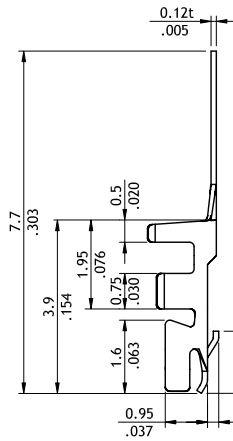
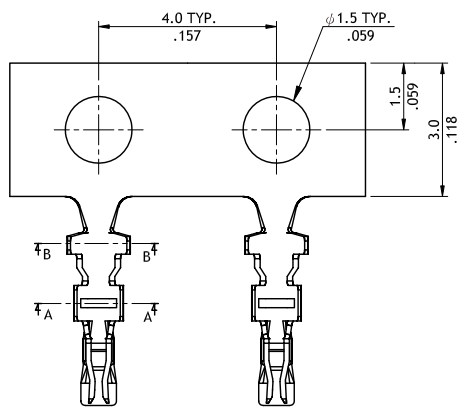
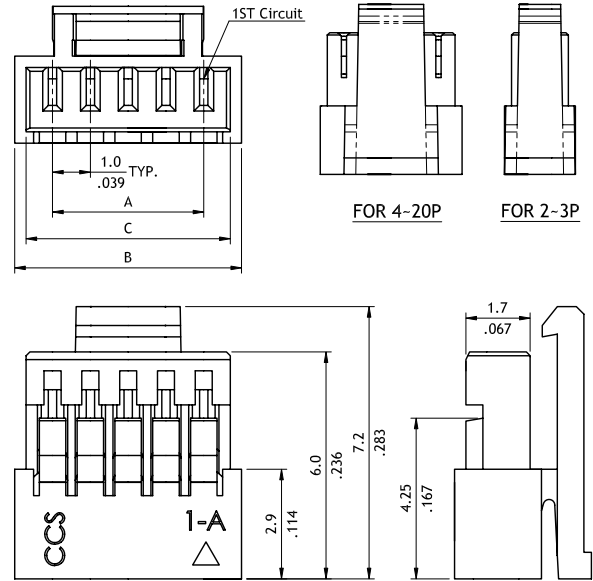
RoHS Compliant



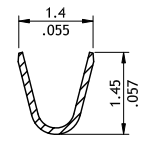
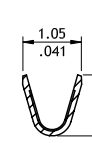
Without Latch Type



With Latch Type



Wire Range	Insulation Diameter	Reel Qty
AWG #28-#32	0.65-0.92(mm) (.026-.036)	16,000 PCS.



Ordering Code

① CI14 ② 20 ③ S ④ 000A - ⑤ NH

① CI14 ② T01 ③ 1 ④ P ⑤ E0

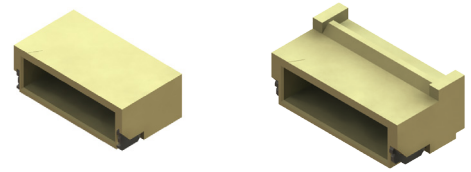
- ① Series No.
- ② No. of Circuits: 02 ~ 20
- ③ S = Housing
- ④ 000A=Without Locking Latch
L000=With Locking Latch
- ⑤ NH = For Halogen-Free

- ① Series No.
- ② Type:T01= AWG #28~#32
- ③ Plating Code: 1= Tin over Nickel
- ④ Material: P=Phosphor Bronze
- ⑤ Other Option: E0=Standard

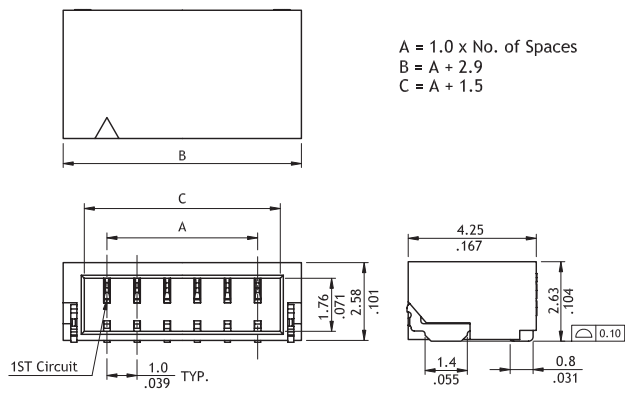
CI14 Series 1.00mm(.039") Wire to Board SMT Side Entry Headers

- ⊙ Fixed tabs provide PCB hold-down
- ⊙ Mate with CI14 Housing
- ⊙ Insulator : High temperature plastic UL 94V-0, Color Nature

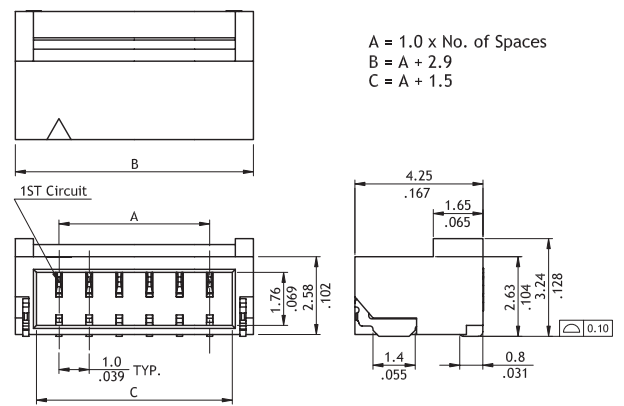
RoHS Compliant



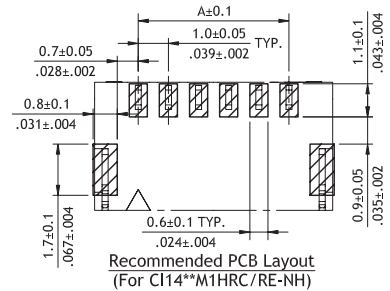
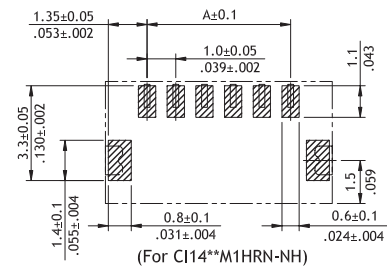
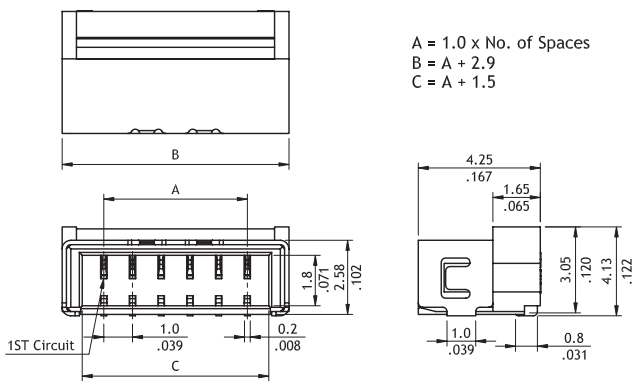
P/N CI14**M1HRC-NH



P/N CI14**M1HRE-NH

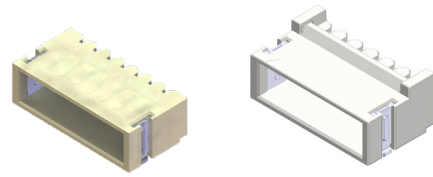


P/N CI14**M1HRN-NH



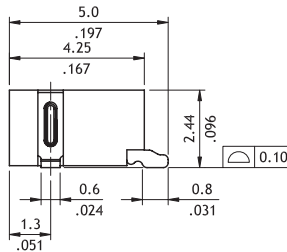
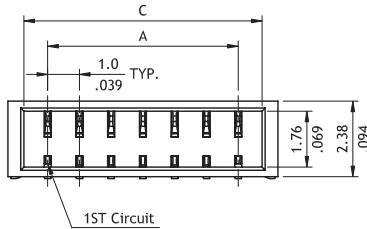
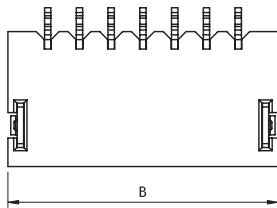
CI14 Series 1.00mm(.039") Wire to Board SMT Side Headers

- ⊙ Fixed tabs provide PCB hold-down
- ⊙ Mating with CI14 Housing
- ⊙ Insulator: High temperature plastic UL 94V-0, color Nature



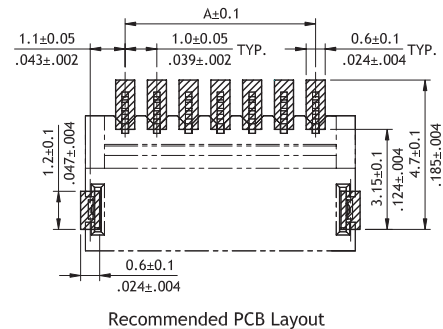
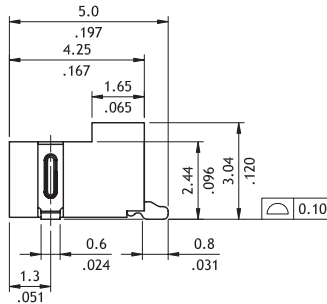
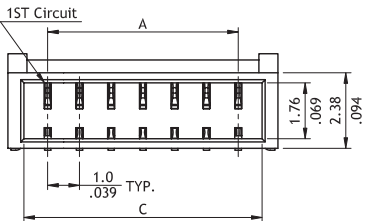
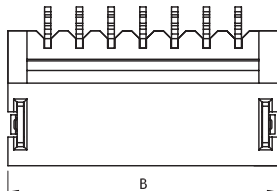
RoHS Compliant

P/N CI14**M1HR0-NH



Circuits	Dimension		
	A	B	C
2	1.0(.039)	3.5(.138)	2.5(.098)
3	2.0(.079)	4.5(.177)	3.5(.138)
4	3.0(.118)	5.5(.216)	4.5(.177)
5	4.0(.157)	6.5(.256)	5.5(.216)
6	5.0(.197)	7.5(.295)	6.5(.256)
7	6.0(.236)	8.5(.335)	7.5(.295)
8	7.0(.276)	9.5(.374)	8.5(.335)
9	8.0(.315)	10.5(.413)	9.5(.374)
10	9.0(.354)	11.5(.453)	10.5(.413)
11	10.0(.394)	12.5(.492)	11.5(.453)
12	11.0(.433)	13.5(.531)	12.5(.492)
13	12.0(.472)	14.5(.571)	13.5(.531)
14	13.0(.512)	15.5(.610)	14.5(.571)
15	14.0(.551)	16.5(.650)	15.5(.610)
16	15.0(.590)	17.5(.689)	16.5(.650)
17	16.0(.630)	18.5(.728)	17.5(.689)
18	17.0(.669)	19.5(.768)	18.5(.728)
19	18.0(.709)	20.5(.807)	19.5(.768)
20	19.0(.748)	21.5(.846)	20.5(.807)

P/N CI14**M1HRL-NH



Ordering Code

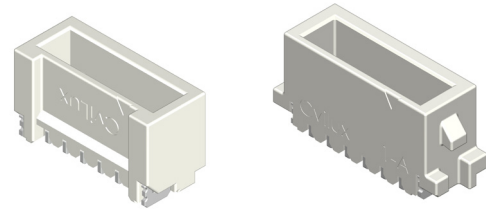
① ② ③ ④ ⑤ ⑥ ⑦
CI14 20 M 1 H RE - NH

- ① Series No.
- ② No. of Circuits:
 (Available: R0: 2~20
 RC: 2~12
 RL: 2~20
 RE: 2~12
 RN: 8~10)
- ③ M = SMT Type
- ④ Plating Code: 1 = Matte Tin over Nickel
- ⑤ Type: H = Side Entry
- ⑥ Other Options:
 R0 = Normal Type with Reel Packing (H Type, 02 ~ 20)
 RL = Normal Lock Type with Reel Packing (H Type, 02 ~ 20)
 RC = Short Type with Reel Packing (H Type, 02 ~ 12)
 RE = Short Lock Type with Reel Packing (H Type, 02 ~ 12)
 RN = Strengthen Type
- ⑦ NH = For Lead Free IR process and Halogen-Free

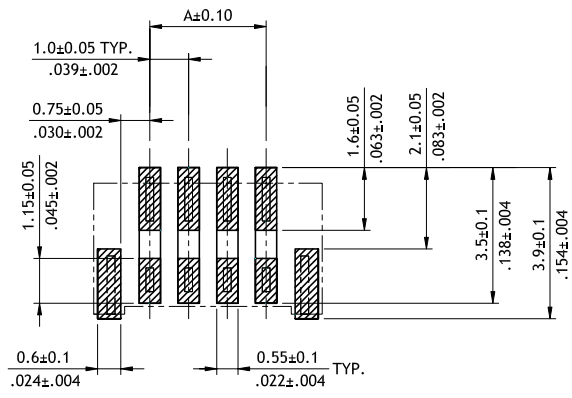
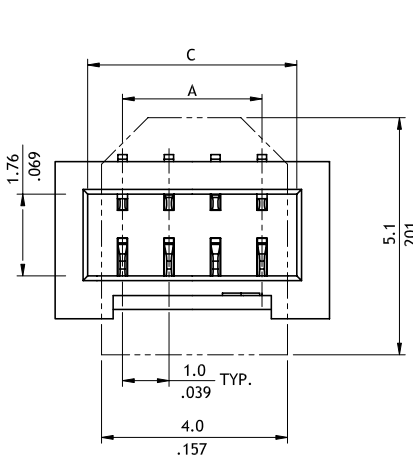
CI14 Series 1.00mm(.039") Wire to Board SMT Top Entry Headers

- Ⓞ Fixed tabs provide PCB hold-down
- Ⓞ Mating with CI14 Housing
- Ⓞ Insulator: High temperature plastic UL 94V-0, color Natu

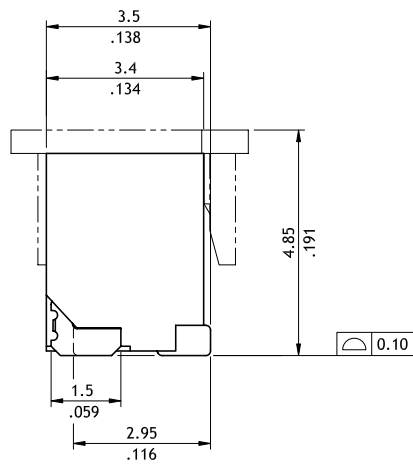
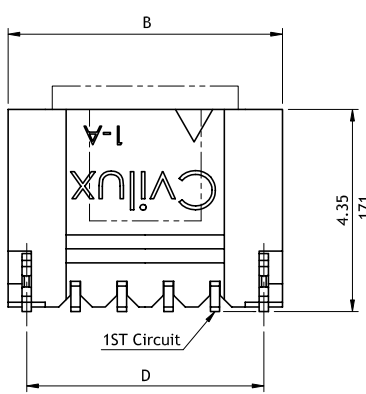
RoHS Compliant



P/N CI14**M1VL0-NH



Recommended PCB Layout



- A = 1.0 x No. of Spaces
- B = A + 2.9(2-3P)
- B = A + 2.7(4-12P)
- C = A + 1.5
- D = A + 2.0

Ordering Code

① CI14 ② 12 ③ M ④ 1 ⑤ V ⑥ L0 - NH ⑦

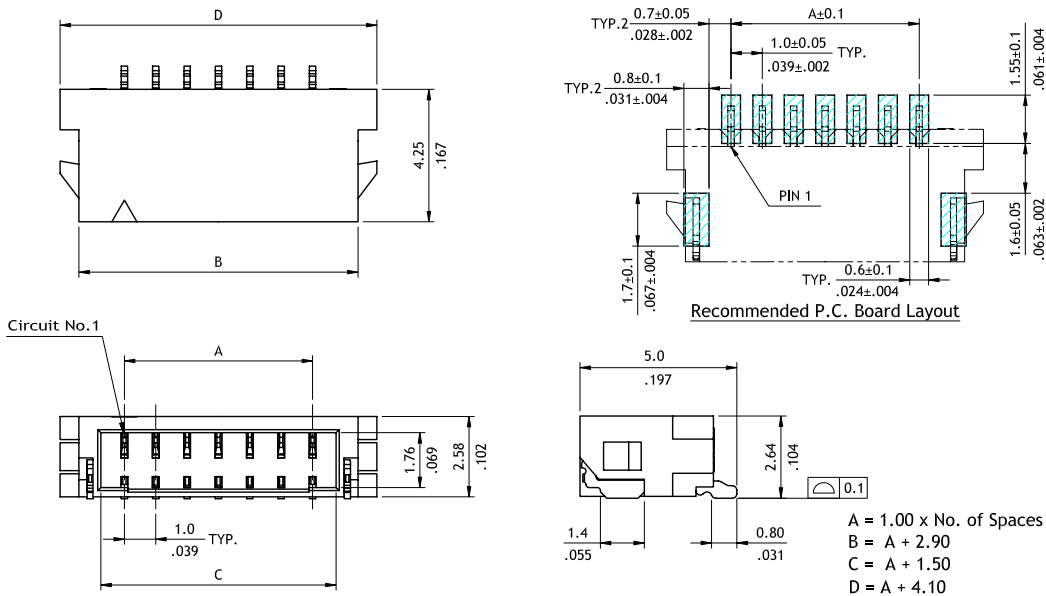
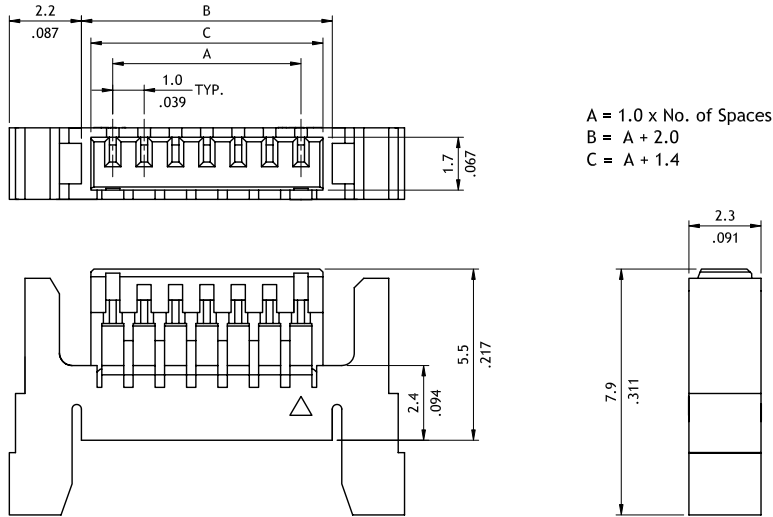
- ① Series No.
- ② No. of Circuits: 2~12
- ③ M = SMT Type
- ④ Plating Code: 1 = Matte Tin over Nickel
- ⑤ Type: V = Top Entry
- ⑥ Other Options:
L0 = Locking Type with Reel Packing
LB = Dual latch type
- ⑦ NH = For Lead Free IR process and Halogen-Free

CI14 Series 1.00mm(.039") Wire to Board Housing & SMT Side Entry Header

- ⊙ Can be used CI14 crimp clip terminal
- ⊙ Insulator: High temperature plastic UL 94V-0, Color Nature
- ⊙ Insulator: Nylon 66 UL 94V-0, Color Nature
- ⊙ With locking latch provide secure mating



RoHS Compliant



Ordering Code

① ② ③ ④ ⑤ ⑥
CI14 03 S L 00C - NH

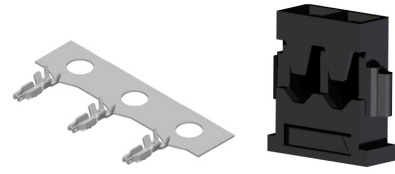
- ① Series No.
- ② No. of Circuits: 03 ~ 20
- ③ S= Housing
- ④ L=With Locking Latch
- ⑤ Other Option: 00C = Latch Type 2
- ⑥ NH = For Lead Free and Halogen-Free

① ② ③ ④ ⑤ ⑥ ⑦ ⑧
CI14 03 M 1 H R I - NH

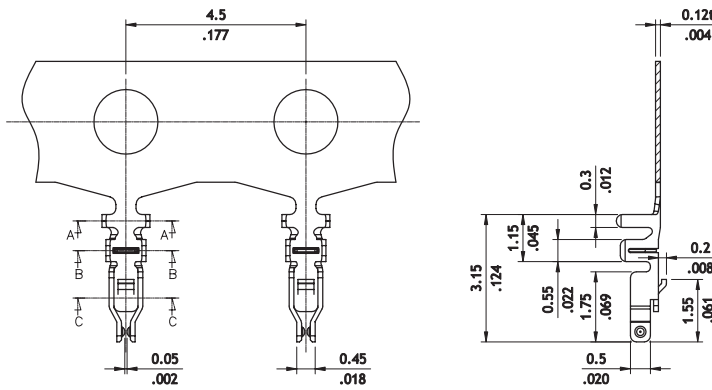
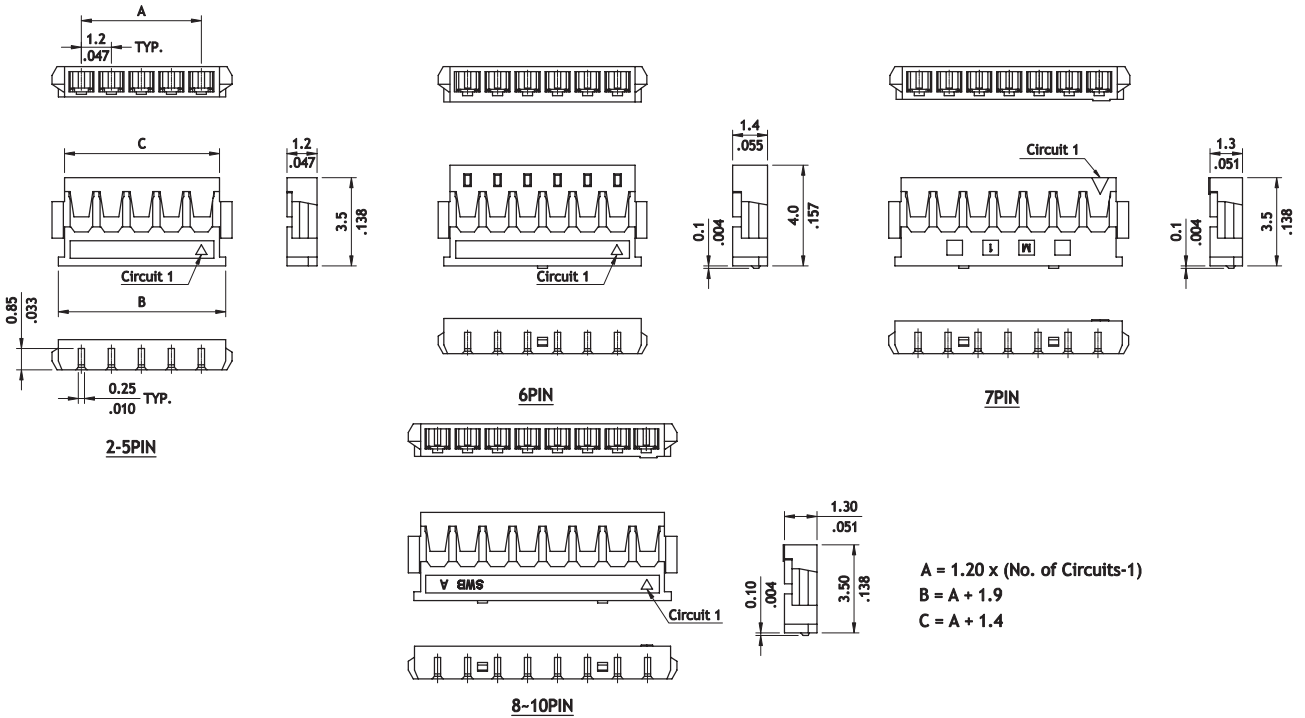
- ① Series No.
- ② No. of Circuits: 03 ~ 20
- ③ M = SMT Type
- ④ Plating Code: 1 = Matte Tin over Nickel
- ⑤ Type: H = Side Entry
- ⑥ Packing Options: R = Tape & Reel
- ⑦ Other Options: I = Dual Latch Type
- ⑧ NH = For Lead Free IR process and Halogen-Free

CI63 Series 1.20mm(.048") Wire to Board Housing / Terminal

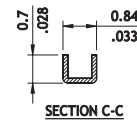
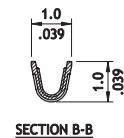
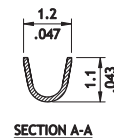
- ⊙ Mate with CI63 Header
- ⊙ Can be used with CI63 crimp clip terminal
- ⊙ Insulation: High temperature plastic UL 94V-0, Color Black



RoHS Compliant



Wire Range	Insulation Diameter	Reel Qty
AWG #28-#30	0.70 (.028) MAX.	15,000 PCS.



Ordering Code

① C I 63 ② 07 ③ S ④ 0000

- ① Series No.
- ② No. of Circuits: 02 ~ 10
- ③ S = Housing
- ④ Other Options: 0000 = Standard

① C I 63 ② T01 ③ 2 ④ P ⑤ P0

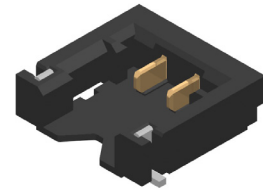
- ① Series No.
- ② Type: T01=AWG #28~ #30
- ③ Plating : 2 = Gold flash over Nickel
- ④ Material : P=Phosphor Bronze
- ⑤ Option : P0 =Standard

CI

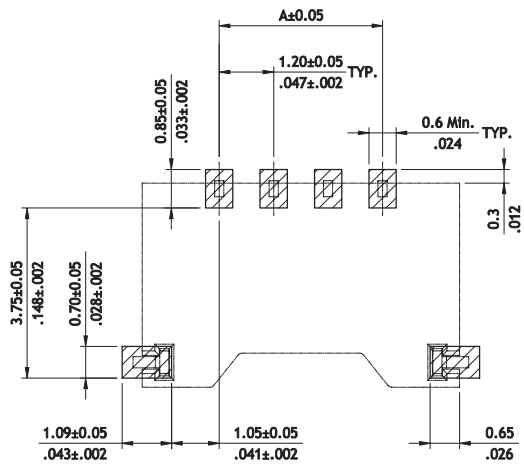
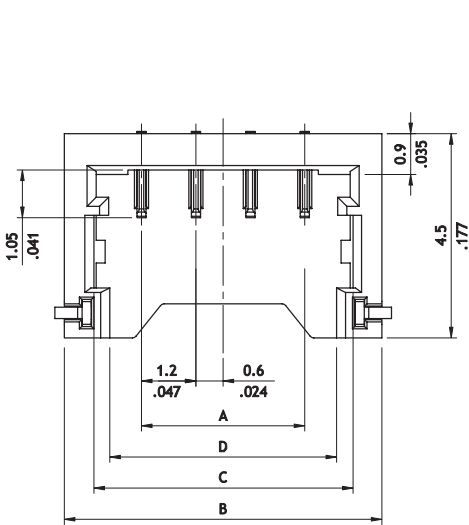
WIRE TO BOARD CONNECTORS

CI63 Series 1.20mm(.048") Wire to Board SMT Headers

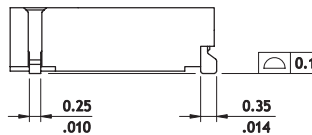
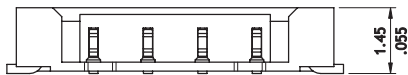
- ⊙ Mate with CI63 Housing
- ⊙ Insulation: High temperature plastic UL 94V-0,
- ⊙ Color Black



RoHS Compliant



Recommended PCB Layout



A = 1.20 x (No. of Circuits-1)
 B = A + 3.4
 C = A + 2.1
 D = A + 1.4

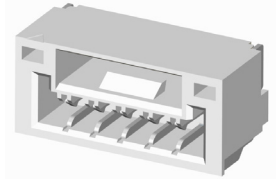
Ordering Code

① C I 63 ② 10 ③ M ④ 2 ⑤ V ⑥ R ⑦ 0 - ⑧ NH

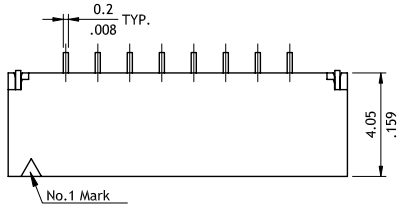
- ① Series No.
- ② No. of Circuits: 2 ~ 6 ,8,10
- ③ Solder Type: M = SMT
- ④ Plating Code:
2 = Gold flash over Nickel
- ⑤ Type: V = Top Entry
- ⑥ Packing Options: R = Tape & Reel Packing
- ⑦ Other Option: 0 = Standard
- ⑧ NH = For Lead Free IR process and Halogen-Free

CI40 Series 1.25mm(.049") Wire to Board SMT Header

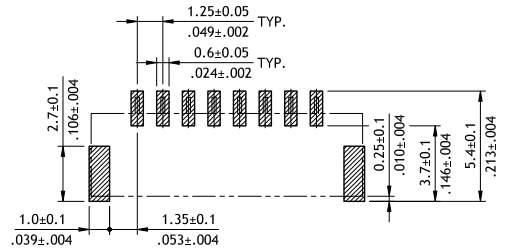
- ⊙ Locking slots provide secure mating
- ⊙ Fixed tab PCB hold-down and strain-relief for SMT tail
- ⊙ Insulator: High temperature plastic UL 94V-0, Color Nature



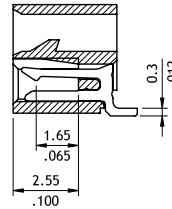
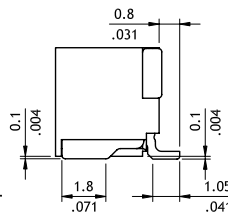
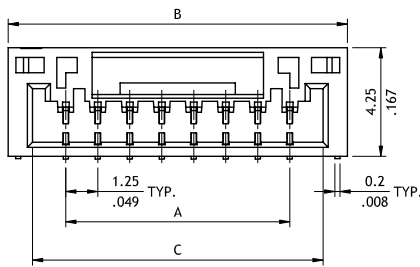
P/N CI40**M1HR0-NH



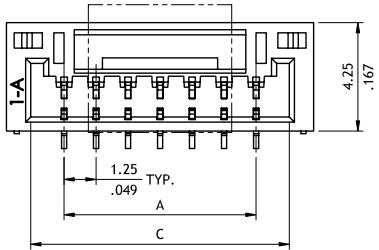
A = 1.25 x No. of Spaces
 B = A + 4.50
 C = A + 2.60



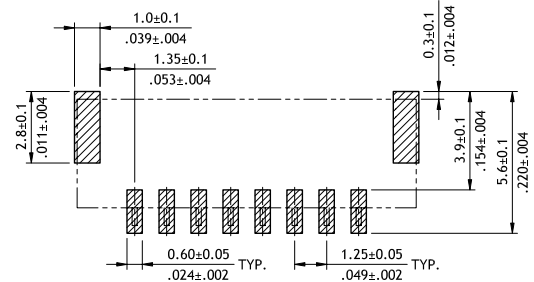
Recommended PCB Layout



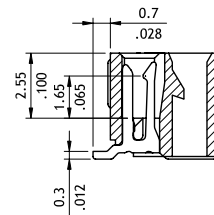
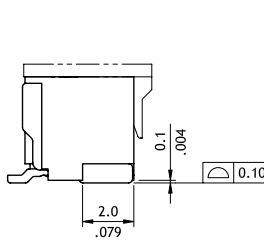
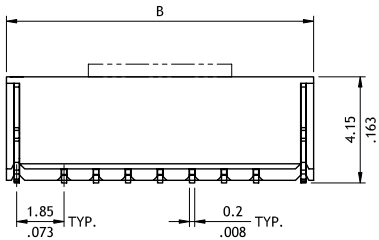
P/N CI40**M1VR0-NH



A = 1.25 x No. of Spaces
 B = A + 4.50
 C = A + 2.60



Recommended PCB Layout



Ordering Code

① ② ③ ④ ⑤ ⑥ ⑦
CI40 15 M 1 V RA - NH

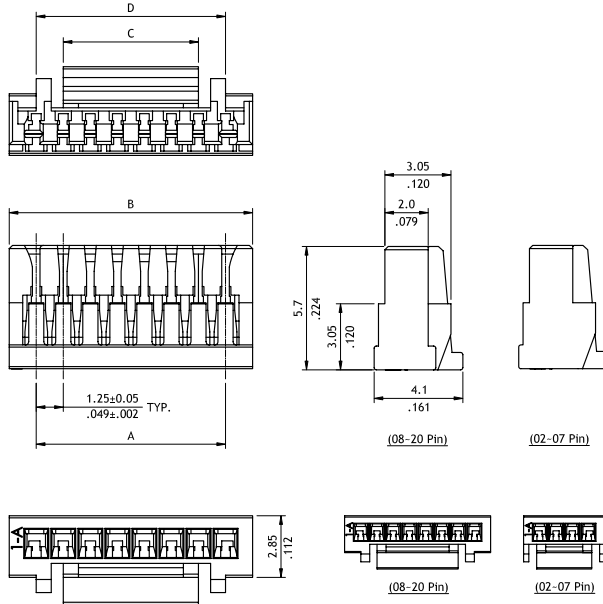
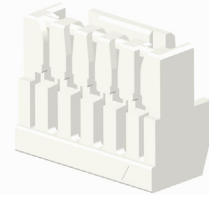
- ① Series No.
- ② No. of Circuits: 02 ~15
- ③ Contact Type : M = SMT
- ④ Plating Code : 1 = Matte Tin over Nickel

- ⑤ Tail Style: H=Side entry
 V=Vertical
- ⑥ Option : R0=Tape & Reel Packing
- ⑦ NH = For Lead Free IR Process
 and Halogen-Free

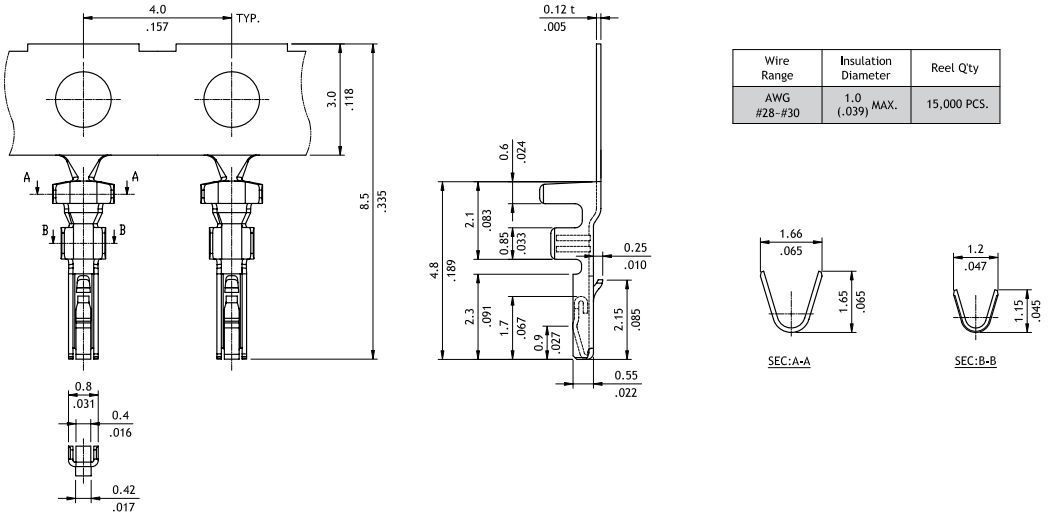
CI40 Series 1.25mm(.049") Wire to Board Housing & Terminal

- ⊙ Locking latch provide secure mating
- ⊙ Insulation: Nylon66 UL 94V-0,Color Nature
- ⊙ Terminal : Tin plate phosphor Bronze

RoHS Compliant



Circuits	Dimension			
	A	B	C	D
2	1.25(.049)	3.75(.148)	2.00(.079)	-
3	2.50(.098)	5.00(.197)	3.20(.126)	-
4	3.75(.148)	6.25(.246)	4.25(.167)	-
5	5.00(.197)	7.50(.295)	4.25(.167)	-
6	6.25(.246)	8.75(.344)	6.25(.246)	-
7	7.50(.295)	10.00(.394)	6.25(.246)	-
8	8.75(.344)	11.25(.443)	6.25(.246)	8.75(.344)
9	10.00(.394)	12.50(.492)	6.25(.246)	10.00(.394)
10	11.25(.443)	13.75(.541)	8.20(.323)	11.25(.443)
11	12.50(.492)	15.00(.591)	8.20(.323)	12.50(.492)
12	13.75(.541)	16.25(.640)	8.20(.323)	13.75(.541)
13	15.00(.591)	17.50(.689)	8.20(.323)	15.00(.591)
14	16.25(.640)	18.75(.738)	8.20(.323)	13.75(.541)
15	17.50(.689)	20.00(.787)	8.20(.323)	15.00(.591)
18	21.25(.837)	23.75(.935)	8.20(.323)	10.70(.421)
20	23.75(.935)	26.25(1.033)	8.20(.323)	10.70(.421)



Wire Range	Insulation Diameter	Reel Qty
AWG #28-#30	1.0 (.039) MAX.	15,000 PCS.

Ordering Code

① C I 40 ② 02 ③ S ④ L 0 0 0 - ⑤ N H

① C I 4 0 ② T 0 1 ③ 1 ④ P ⑤ P 0

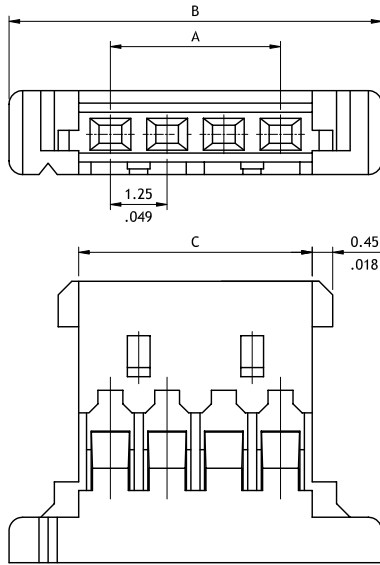
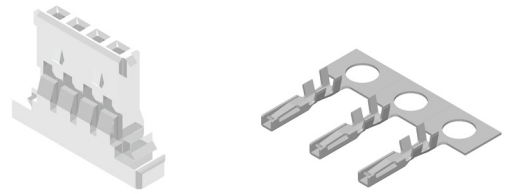
- ① Series No.
- ② No. of Circuits:
- ③ S =Connector Housing
- ④ Other Options: L000 = Color Nature (Standard)
- ⑤ NH = For Lead Free and Halogen-Free

- ① Series No.
- ② Type: T01=AWG #26~ #30
- ③ Plating Code : 1=Tin over Nickel
- ④ Material : P=Phosphor Bronze
- ⑤ Other Options : P0 =Standard

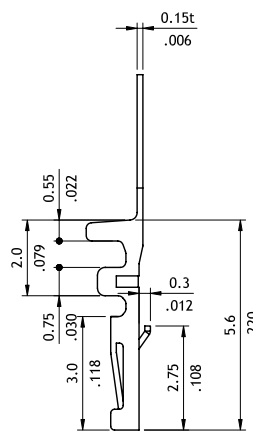
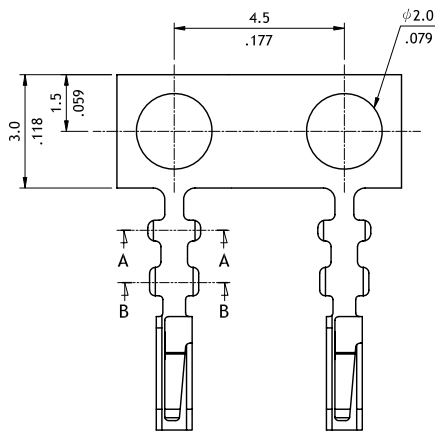
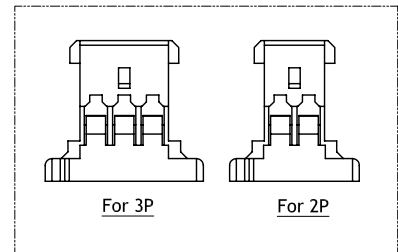
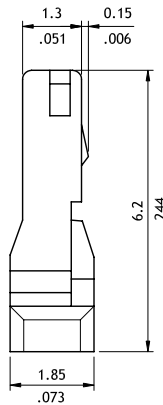
CI42 Series 1.25mm(.049") Wire to Board Housing & Terminal

- ⊙ Mate with CI42 Header
- ⊙ Can be used with CI42 Crimp clip terminal
- ⊙ Insulation: Nylon 66 UL 94V-0, Color Nature

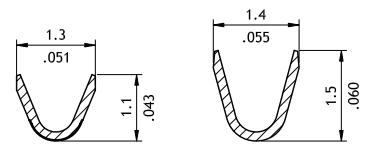
RoHS Compliant 



A = 1.25 * No. of Spaces
 B = A + 4.47
 C = A + 1.4



Wire Range	Insulation Diameter	Reel Qty
AWG #28-#32	1.0 (.039) MAX.	20,000 PCS.



SEC.: B-B

SEC.: A-A

Ordering Code

① C ② I42 ③ 10 ④ S L ⑤ 000

① C I42 ② T01 ③ 1 ④ P ⑤ P0

- ① Series No.
- ② No. of Circuits: 02 ~ 12
- ③ S= Housing
- ④ L=With Latch
- ⑤ Other Options: 000=Standard

- ① Series No.
- ② Type: T01=AWG #28~ #32
- ③ Plating Code: 1 = Tin over Nickel
- ④ Material : P=Phosphor Bronze
- ⑤ Other Options : P0 =Standard

CI

WIRE TO BOARD CONNECTORS

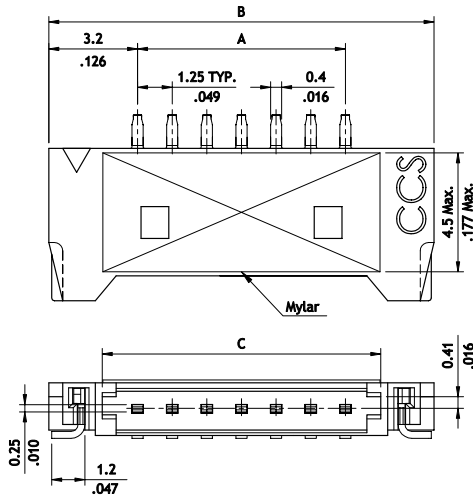
CI42 Series 1.25mm(.049") Wire to Board SMT Header

- ⊙ Locking ramps provide secure mating
- ⊙ Fixed tab PCB hold-down for SMT tail
- ⊙ Insulator: High temperature plastic UL 94V-0, Color Nature
- ⊙ With Gold flash SMT type contact

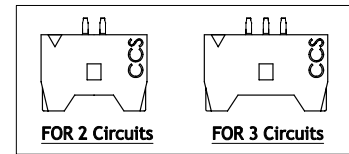
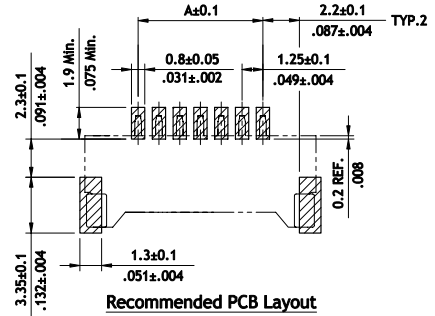
RoHS Compliant



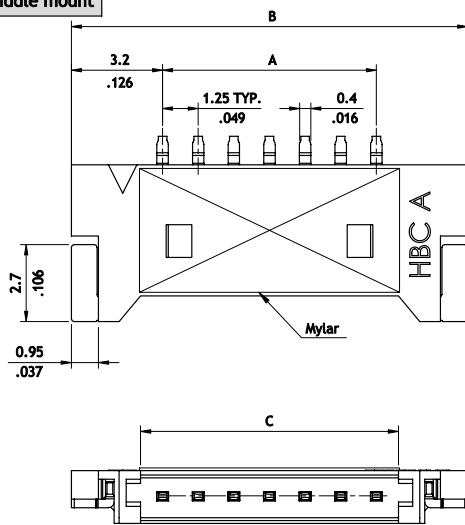
Top mount



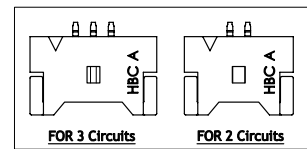
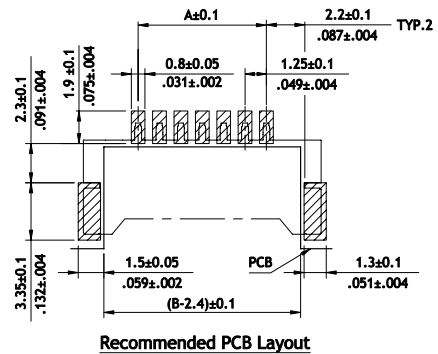
A = 1.25 x No. of Spaces
 B = A + 6.4
 C = A + 2.55



Middle mount



A = 1.25 x No. of Spaces
 B = A + 6.4
 C = A + 2.55



Ordering Code

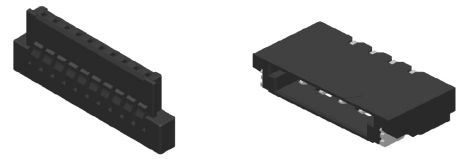
① C I 4 2 ② 1 2 ③ M ④ 2 ⑤ H ⑥ R ⑦ P ⑧ - NH

- ① Series No.
- ② No. of Circuits: 02 ~ 12
- ③ M = SMT Type
- ④ Plating Code:
2 = Gold flash over Nickel
- ⑤ Type: H = Side Entry

- ⑥ Packing Options:
R = Tape & Reel
- ⑦ Other Options:
0 = Top mount type without Mylar
P = Top mount type with Mylar
D = Middle mount type, Without Mylar
A = Middle mount type, With Mylar
- ⑧ NH = For Lead Free IR process and Halogen-Free

CI43 Series 1.25mm(.049") Wire to Board Housing & Terminal & SMT Header

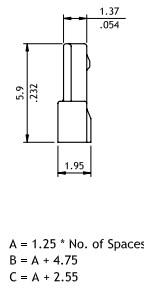
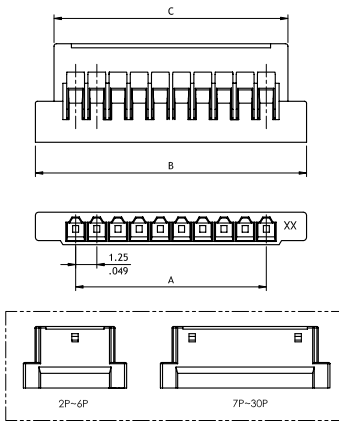
- ⊙ 2.03mm above the board
- ⊙ Copper alloy dual contacts
- ⊙ Insulation: High temperature plastic UL 94V-0, Color Black
- ⊙ With metal fixed tabs to secure connector in place



RoHS Compliant

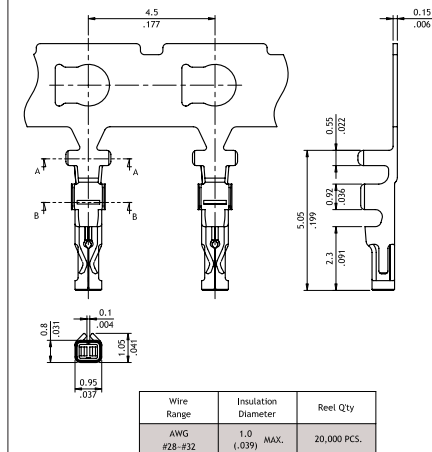
CI

P/N CI43**S0000



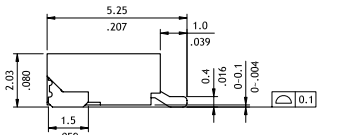
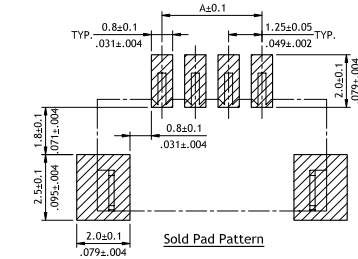
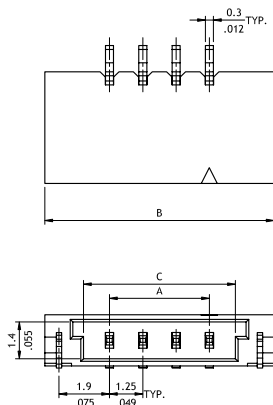
A = 1.25 * No. of Spaces
 B = A + 4.75
 C = A + 2.55

P/N CI43T011PE0

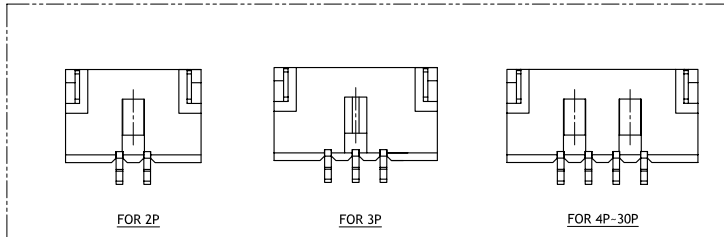


Wire Range	Insulation Diameter	Reel Qty
AWG #28-#32	1.0 (.039) MAX.	20,000 PCS.

P/N CI43**M1HR0-NH



A = 1.25 * No. of Spaces
 B = A + 4.85
 C = A + 1.95



Ordering Code

① C | 43 | ② 12 | ③ S | ④ 0000

- ① Series No.
- ② No. of Circuits: 02 ~15,20,25,30
- ③ S = Housing
- ④ Other Options:
0000 = Standard

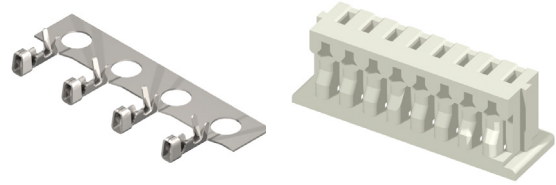
① C | 43 | ② 12 | ③ M | ④ 1 | ⑤ H | ⑥ R | ⑦ 0 | ⑧ NH

- ① Series No.
- ② No. of Circuits: 02 ~30
(Available: 02 ~12,16,24)
- ③ M = SMT Type
- ④ 1 = Matte Tin over Nickel
2 = Gold flash over Nickel
- ⑤ Type: H=Side Entry
- ⑥ Packing Options:
R = Tape & Reel
- ⑦ Other Options:
0 = Standard
- ⑧ NH = For Lead Free soldering process and Halogen-Free

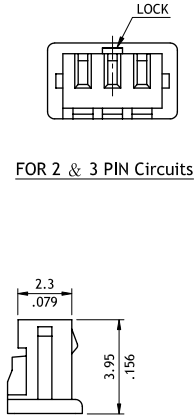
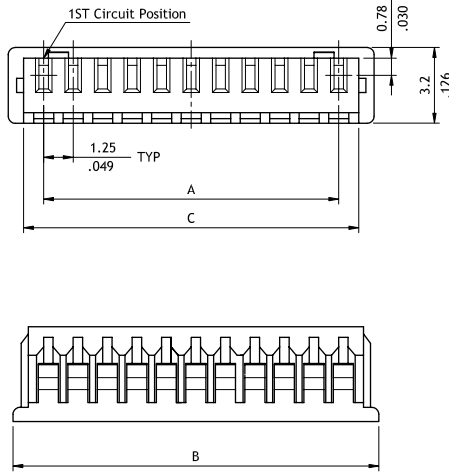
WIRE TO BOARD CONNECTORS

CI44 Series 1.25mm(.049") Wire to Board Connectors Housing & Terminal

- ⊙ Latch housing secure terminal in housing and provides extra terminal retention
- ⊙ Terminal accommodated AWG #28 ~ #32
- ⊙ Insulator: Nylon 66 UL 94V-0, Color Nature
- ⊙ Terminal: Tin plated, Phosphor Bronze
- ⊙ Mate with CI44 header

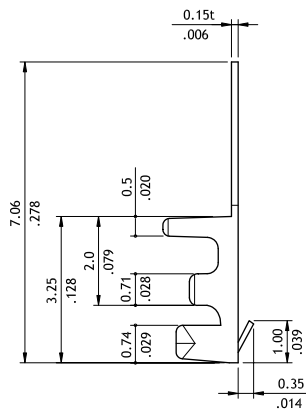
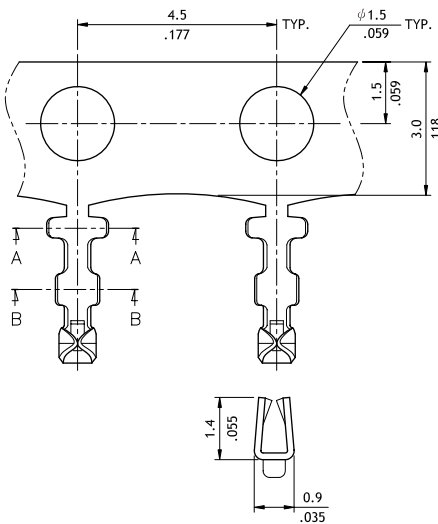


RoHS Compliant

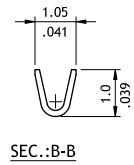
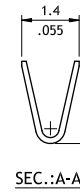


FOR 2 & 3 PIN Circuits

Circuits	Dimension		
	A	B	C
2	1.25(.049)	4.25(.167)	2.95(.116)
3	2.50(.098)	5.5(.217)	4.20(.165)
4	3.75(.148)	6.75(.266)	5.45(.215)
5	5.00(.197)	8.0(.315)	6.70(.264)
6	6.25(.246)	9.25(.364)	7.95(.313)
7	7.50(.295)	10.5(.413)	9.20(.362)
8	8.75(.344)	11.75(.463)	10.45(.411)
9	10.00(.394)	13.0(.512)	11.70(.461)
10	11.25(.443)	14.25(.561)	12.95(.510)
11	12.50(.492)	15.5(.610)	14.20(.559)
12	13.75(.541)	16.75(.659)	15.45(.608)
13	15.00(.591)	18.0(.709)	16.70(.657)
14	16.25(.640)	19.25(.758)	17.95(.707)
15	17.50(.689)	20.5(.807)	19.20(.756)
16	18.75(.719)	21.75(.856)	20.45(.805)



Wire Range	Insulation Diameter	Reel Qty
AWG #28-#32	1.0 (.039) MAX.	15,000 PCS.



Ordering Code

① C I 44 ② 15 ③ S 0 0 ④ 0 ⑤ 0 ⑥ - NH

① C I 44 ② T 0 1 ③ 1 ④ P ⑤ P 0

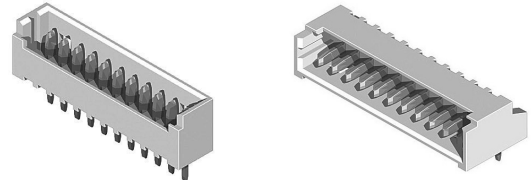
- ① Series No.
- ② No. of Circuits: 02 ~ 16
- ③ S00= Housing
- ④ Color: 0 = Color Nature
- ⑤ Other Options: 0 = Standard
- ⑥ NH = For Lead Free and Halogen-Free

- ① Series No.
- ② Type: T01 = AWG #28 ~ #32
- ③ Plating Code: 1 = Tin over Nickel
- ④ Material: P = Phosphor Bronze
- ⑤ Other Options: P0 = Standard

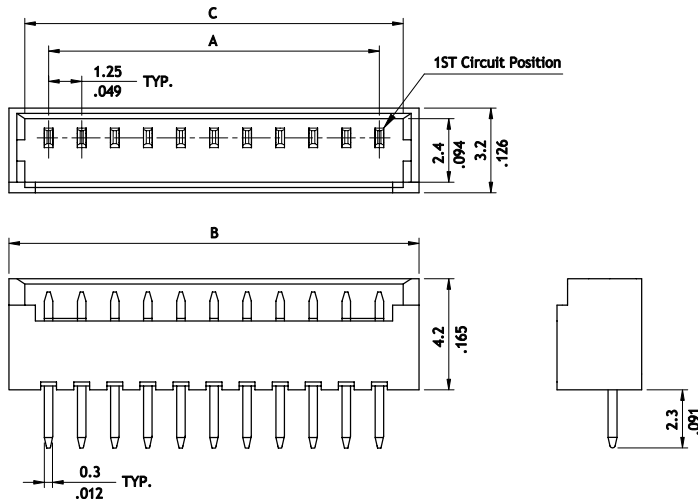
CI44 Series 1.25mm(.049") Wire to Board Connectors DIP Headers

- ⊙ Polarization and Low-profile
- ⊙ Locking slots provide secure mating
- ⊙ Mate with CI44 housing
- ⊙ Insulator: High temperature plastic UL 94V-0, Color Natu
- ⊙ With Tin plated DIP type contact

RoHS Compliant

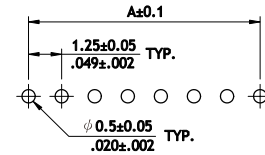
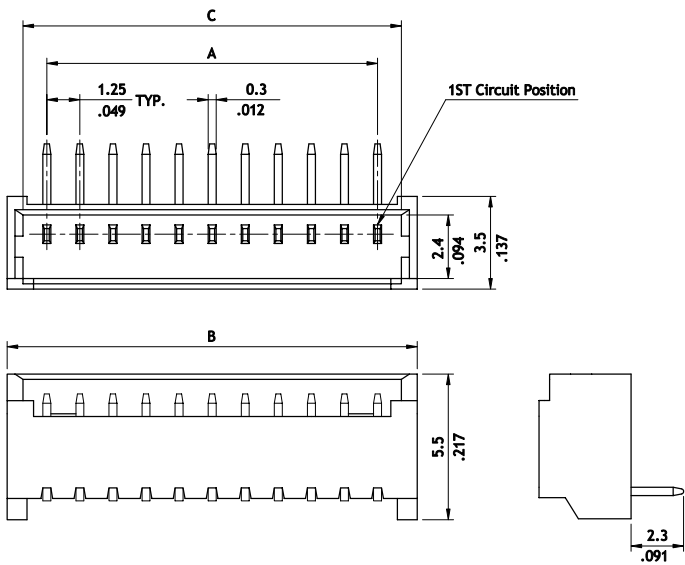


Top entry



Circuits	Dimension		
	A	B	C
2	1.25(.049)	4.35(.171)	3.15(.124)
3	2.50(.098)	5.6(.220)	4.40(.173)
4	3.75(.148)	6.85(.270)	5.65(.222)
5	5.00(.197)	8.1(.319)	6.90(.272)
6	6.25(.246)	9.35(.368)	8.15(.321)
7	7.50(.295)	10.6(.417)	9.40(.370)
8	8.75(.344)	11.85(.467)	10.65(.419)
9	10.00(.394)	13.1(.516)	11.90(.469)
10	11.25(.443)	14.35(.565)	13.15(.518)
11	12.50(.492)	15.6(.614)	14.40(.567)
12	13.75(.541)	16.85(.663)	15.65(.616)
13	15.00(.591)	18.1(.713)	16.90(.665)
14	16.25(.640)	19.35(.762)	18.15(.715)
15	17.50(.689)	20.6(.811)	19.40(.764)

Side entry



Recommended P.C. Board Layout

Ordering Code

① ② ③ ④ ⑤ ⑥ ⑦
C I 4 4 1 5 P 1 V 0 0 - NH

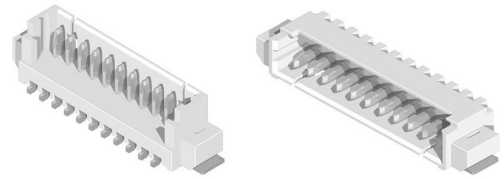
- ① Series No.
- ② No. of Circuits : 02 ~ 15
- ③ P = DIP Type
- ④ Plating Code : 1 = Matte Tin over Nickel
- ⑤ Type: V = Top Entry
H = Side Entry
- ⑥ Other Options:
00 = Standard (Tube packing)
- ⑦ NH = For Lead Free soldering process and Halogen-Free
*Special options consult manufacturer

CI

WIRE TO BOARD CONNECTORS

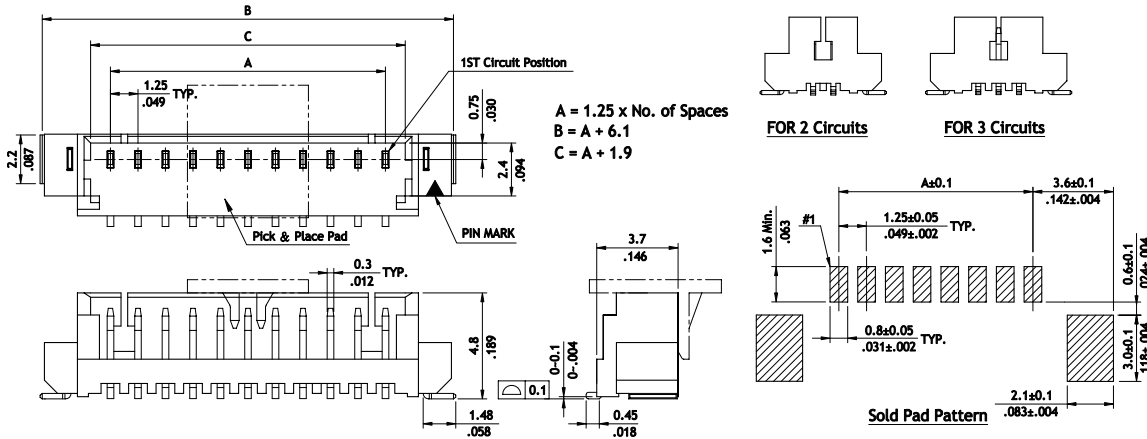
CI44 Series 1.25mm(.049") Wire to Board Connectors SMT Headers

- ⊙ Polarization and Low-profile
- ⊙ Locking slots provide secure mating
- ⊙ Fixed tabs provide PCB hold-down and strain-relief for SMT
- ⊙ Insulator: High temperature plastic UL 94V-0 , Color Nature
- ⊙ With Tin plated SMT type contact
- ⊙ Mate with CI44 housing

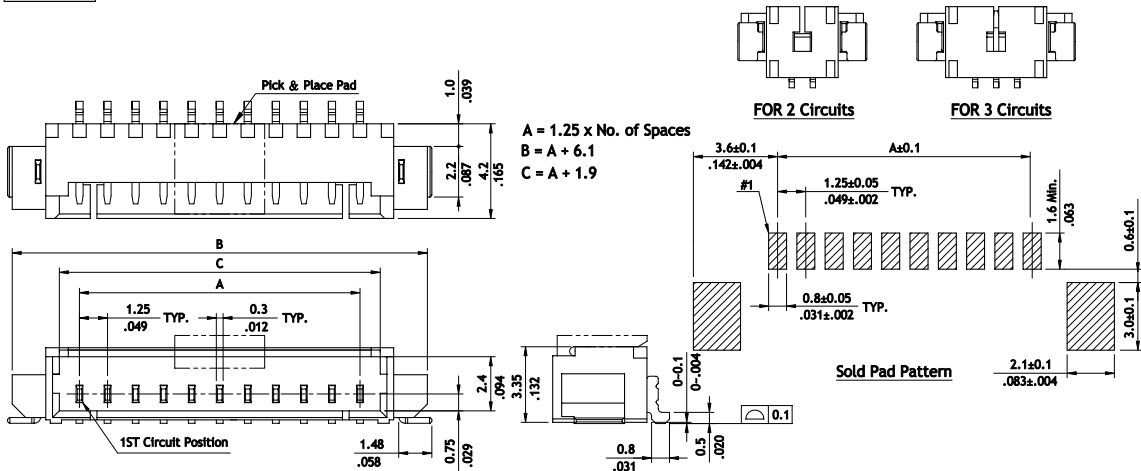


RoHS Compliant

Top entry



Side entry



Ordering Code

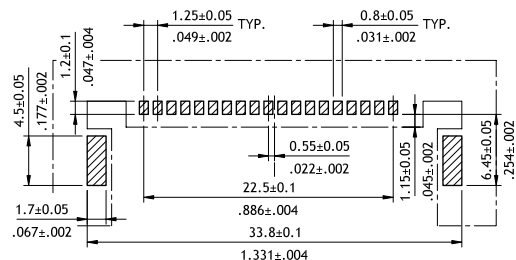
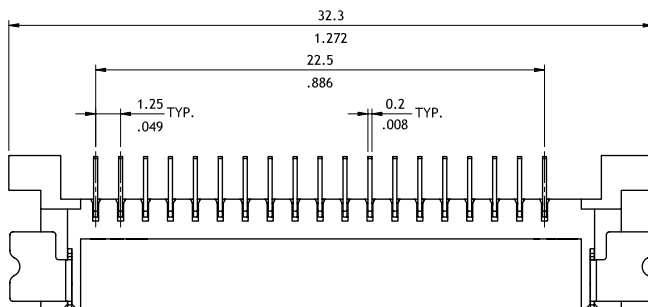
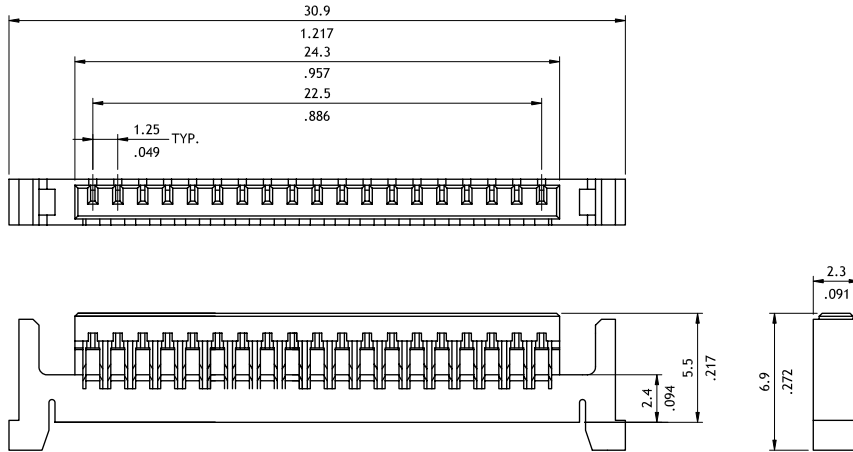
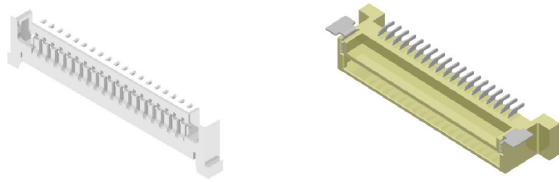
① ② ③ ④ ⑤ ⑥ ⑦
CI44 15 M 1 V R0 - NH

- ① Series No.
- ② No. of Circuits: 02 ~ 15
- ③ M=SMT Type
- ④ Plating Code:
1 = Matte Tin over Nickel
- ⑤ Type: V = Top Entry
H = Side Entry
- ⑥ Other Options :
00 = Standard (Tube packing)
R0 = Tape & Reel (Without Pick & Place Pad)
RP = Tape & Reel (With Pick & Place Pad)
- ⑦ NH = For Lead Free soldering process and Halogen-Free
* Special option consult manufacturer

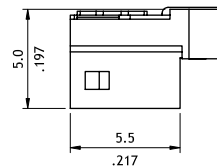
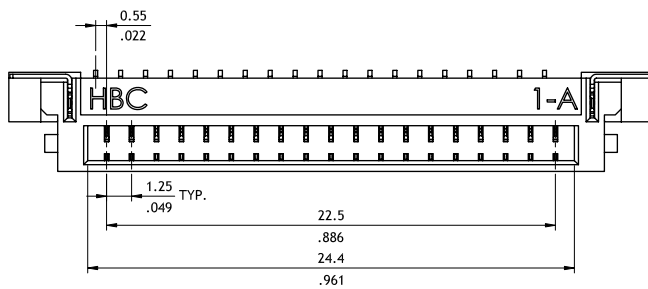
CI45 Series 1.25mm(.049") Wire to Board Housing & SMT Headers

- ⊙ With locking latch provide secure mating
- ⊙ Mate with CI45 Header
- ⊙ Mate with CI14 crimp clip terminal (P/N: CI14T011PE0)

RoHS Compliant



Recommended P.C. Board Layout



Ordering Code

① ② ③ ④ ⑤ ⑥ ① ② ③ ④ ⑤ ⑥ ⑦
C I 45 19 S L 0000 - NH C I 45 19 M 1 H R 0 - NH

- ① Series No.
- ② No. of Circuits: 19
- ③ S = Housing
- ④ L= With Locking Latch
- ⑤ Other Option: 000=Standard
- ⑥ NH= For Lead Free IR Process and Halogen-Free

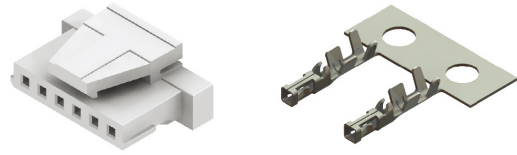
- ① Series No.
- ② No. of Circuits: 19
- ③ M = SMT Type
- ④ Plating Code: 1 = Matte Tin over Nickel
- ⑤ Type: H=Side Entry
- ⑥ Packing Options: R0 = Tape & Reel
- ⑦ NH = For Lead Free IR Process and Halogen-Free

CI

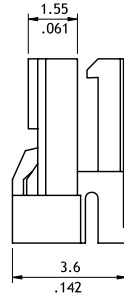
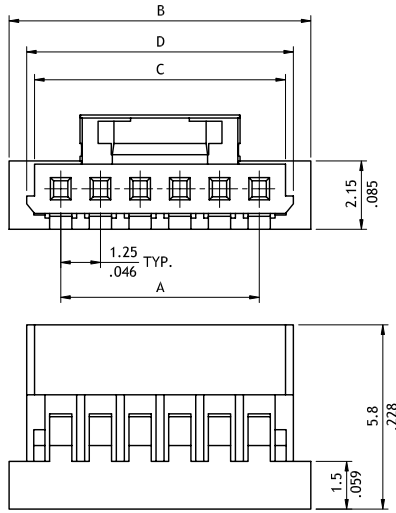
WIRE TO BOARD CONNECTORS

CI46 Series 1.25mm(.049") Wire to Board Connectors Housing & Terminal

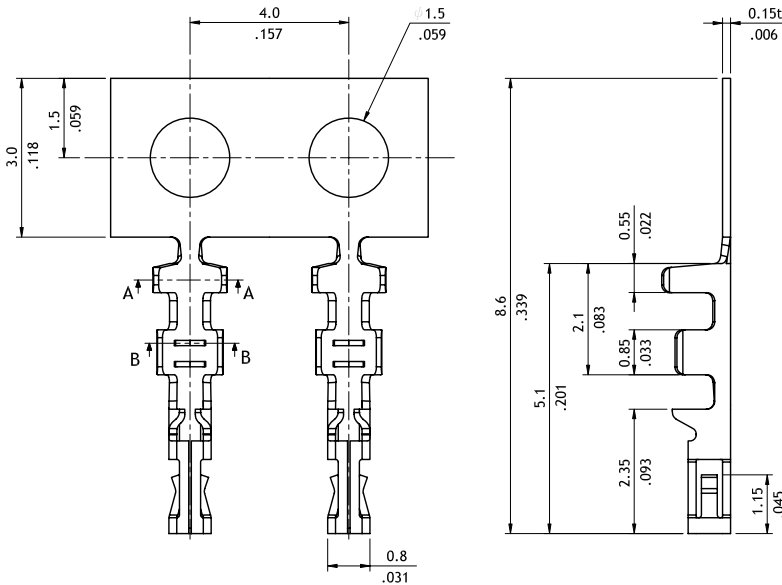
- ⊙ With locking latch provide secure mating
- ⊙ Mate with CI46 Header
- ⊙ Can be used with CI46 Crimp Clip Terminal
- ⊙ Insulator: Nylon 66 UL 94V-0, Color Nature



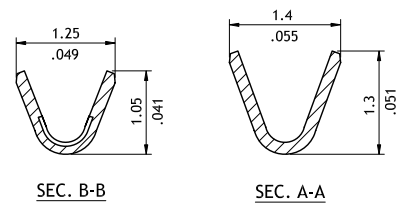
RoHS Compliant (HF)



A = 1.25 x No. of Spaces
 B = A + 3.25
 C = A + 1.65
 D = A + 2.15



Wire Range	Insulation Diameter	Reel Qty
AWG #26-#32	0.90 (.035) MAX.	16,000 PCS



Ordering Code

① ② ③ ④ ⑤

C I 4 6 2 0 S L 0 0 0

① ② ③ ④ ⑤

C I 4 6 T 0 1 1 P E 0

① Series No.

② No. of Circuits: 02 ~ 20

③ S = Housing

④ L = With Locking Latch

⑤ Other Options: 000 = Standard

① Series No.

② Type: T01 = AWG #26 ~ #32

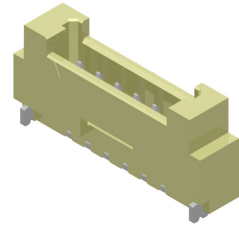
③ Plating Code: 1 = Tin over Nickel

④ Material: P = Phosphor Bronze

⑤ Other Options: E0 = Standard

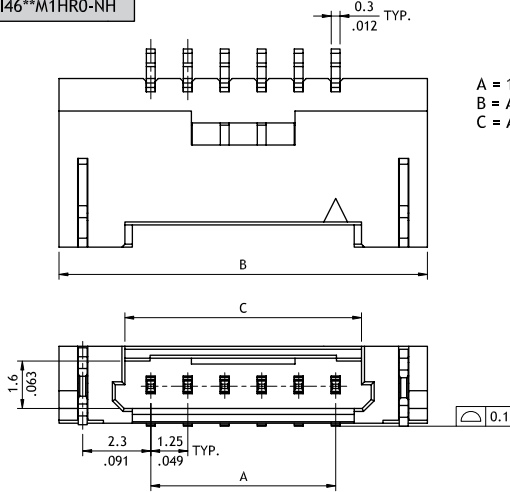
CI46 Series 1.25mm(.049") Wire to Board Connectors SMT Headers

- ⊙ With locks provide secure mating
- ⊙ Fixed tabs provide PCB hold-down
- ⊙ Mate with CI46 Housing
- ⊙ Insulator: High temperature plastic UL 94V-0, Color Nature

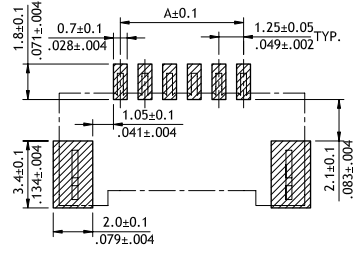


RoHS Compliant

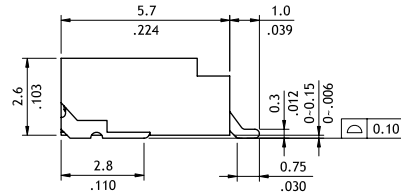
P/N CI46**M1HR0-NH



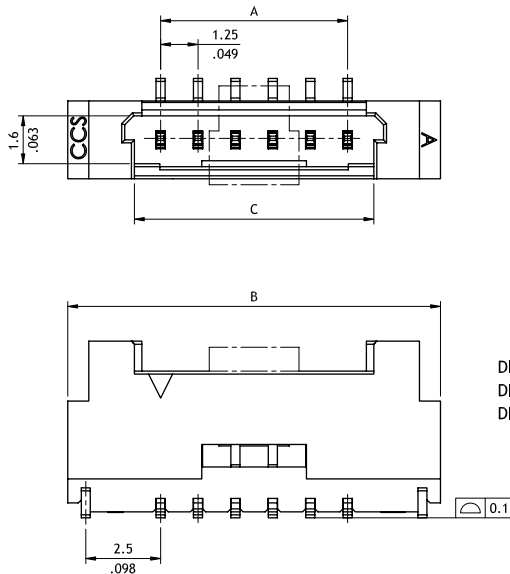
A = 1.25 x No. of Spaces
 B = A + 6.2
 C = A + 1.75



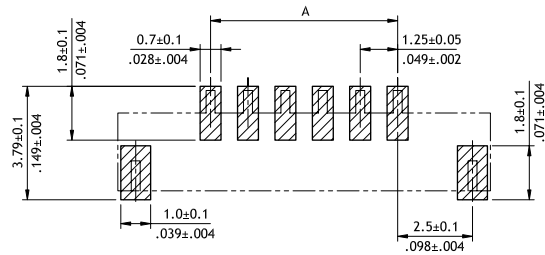
Recommended P.C. Board Layout



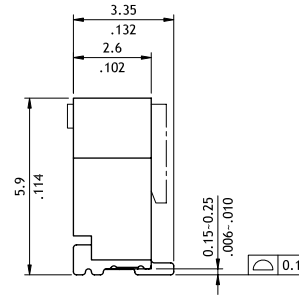
P/N CI46**M1VR0-NH



DIM. A = 1.25 x No. of Spaces
 DIM. B = DIM. A + 6.2
 DIM. C = DIM. A + 1.75



Recommended P.C. Board Layout



Ordering Code

① ② ③ ④ ⑤ ⑥ ⑦ ⑧
CI46 20 M 1 V R 0 - NH

- ① Series No.
- ② No. of Circuits: 02 ~ 20
- ③ M = SMT Type
- ④ Plating Code : 1= Matte Tin over Nickel
- ⑤ Type : V = Top Entry
 H = Side Entry
- ⑥ Packing Options: R0 = Tape & Reel
- ⑦ Other Options: 0 = Standard
- ⑧ NH = For Lead Free soldering process and Halogen-Free

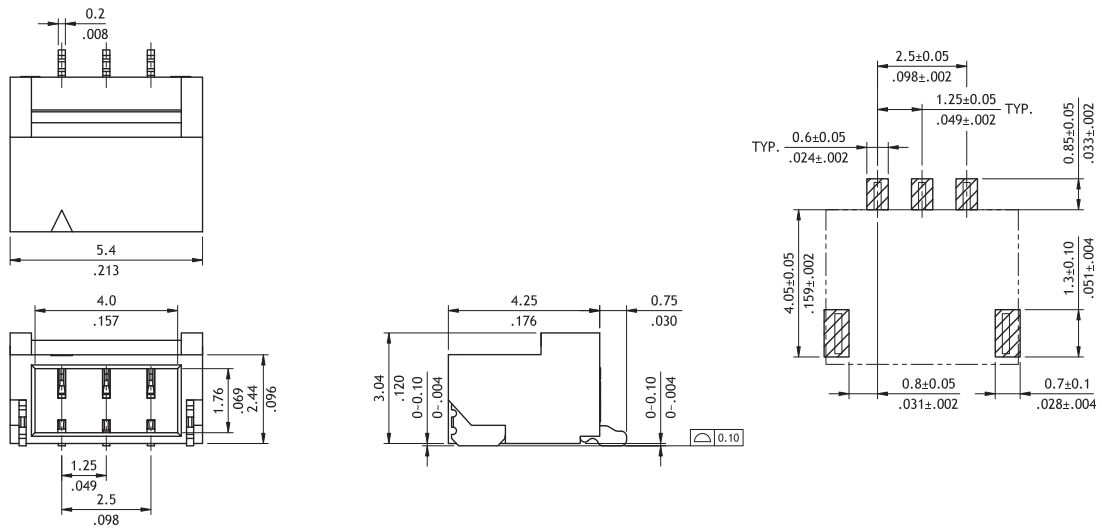
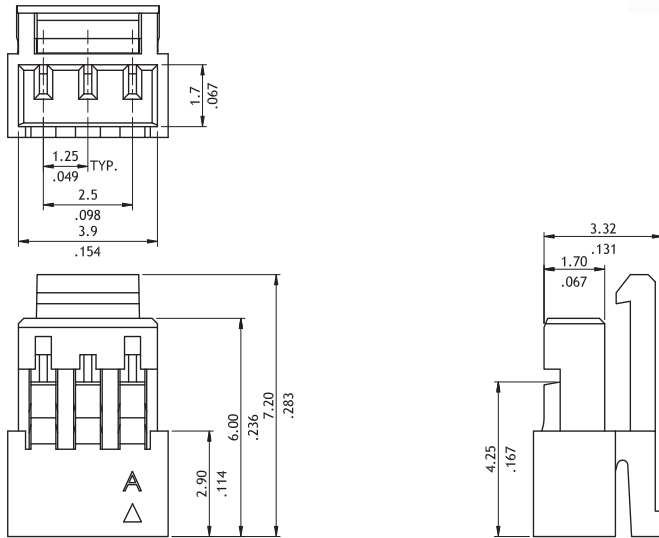
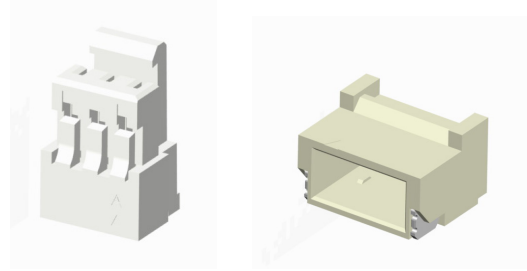
CI

WIRE TO BOARD CONNECTORS

CIDL Series 1.25mm(.049") Wire to Board Housing and SMT Header Connectors

- ⊙ Insulator: Nylon 66 UL 94V-0, Color Nature
- ⊙ Insulator: High temperature UL 94V-0 , Color Nature
- ⊙ Mate with CI14 Crimp clip terminal (P/N : CI14T011PE0)

RoHS Compliant



Ordering Code

① ② ③ ④ ⑤
C I D L 0 3 S L 0 0 0 - N H

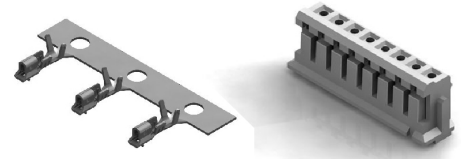
- ① Series No.
- ② No. of Circuits: 03
- ③ S = Connector Housing
- ④ Other option: L000=With Locking Latch
- ⑤ Other Option: -NH= Halogen-Free

① ② ③ ④ ⑤ ⑥ ⑦
C I D L 0 3 M 1 H R 0 - N H

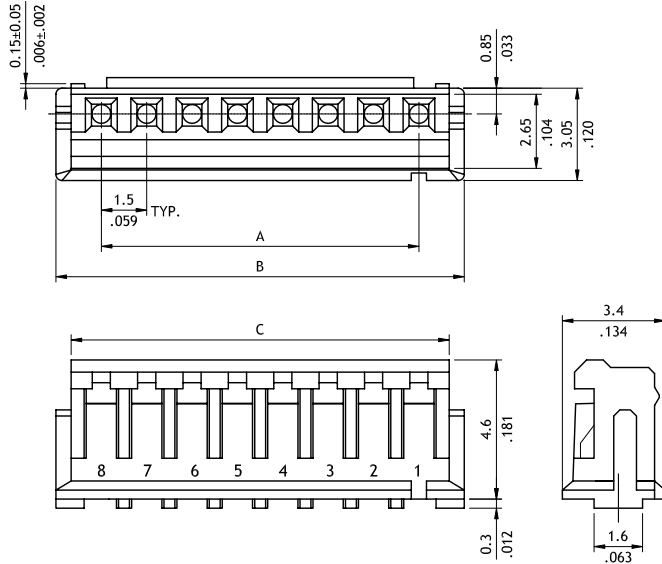
- ① Series No.
- ② No. of Circuits: 03
- ③ M=SMT type Header
- ④ Plating: 1= Matte Tin over Nickel
- ⑤ Type: H = Side Entry Type
- ⑥ Option : R0 = Tape & Reel Packing
- ⑦ NH= For Lead Free IR Processes and Halogen-Free

CI15 Series 1.50mm(.059") Wire to Board Connectors Housing & Terminal

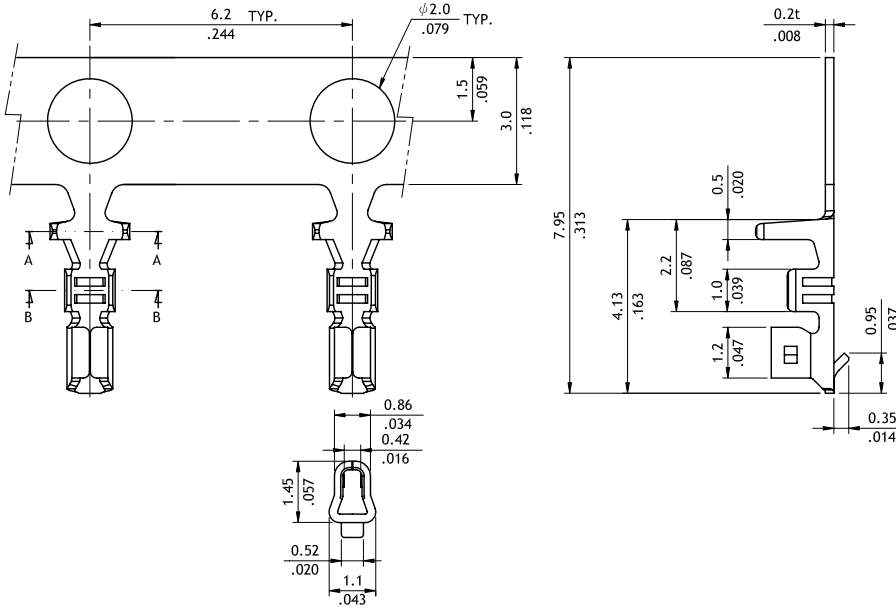
- ⊙ Terminal accommodated AWG #26 ~ #32
- ⊙ Insulator: Nylon 66 UL 94V-0, Color Nature
- ⊙ Terminal: Tin plated, Phosphor Bronze
- ⊙ Mate with CI15 Header



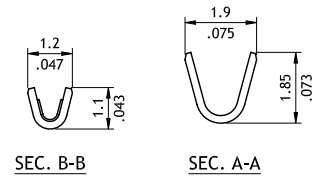
RoHS Compliant  



Circuits	Dimension		
	A	B	C
2	1.5(.059)	4.5(.177)	3.5(.138)
3	3.0(.118)	6.0(.236)	5.0(.197)
4	4.5(.177)	7.5(.295)	6.5(.256)
5	6.0(.236)	9.0(.354)	8.0(.315)
6	7.5(.295)	10.5(.413)	9.5(.374)
7	9.0(.354)	12.0(.472)	11.0(.433)
8	10.5(.413)	13.5(.513)	12.5(.492)
9	12.0(.472)	15.0(.591)	14.0(.551)
10	13.5(.531)	16.5(.650)	15.5(.610)
11	15.0(.591)	18.0(.709)	17.0(.669)
12	16.5(.650)	19.5(.768)	18.5(.728)
13	18.0(.709)	21.0(.827)	20.0(.787)
14	19.5(.768)	22.5(.886)	21.5(.846)
15	21.0(.827)	24.0(.945)	23.0(.905)



Wire Range	Insulation Diameter	Reel Qty
AWG #26-#32	1.10 (.043) MAX.	10,000 PCS



Ordering Code

① CI15 ② 15 ③ S ④ 0000

- ① Series No.
- ② No. of Circuits : 02 ~ 15
- ③ S = Housing
- ④ Other Options: 0000 = Standard

① CI15 ② T01 ③ 1 ④ P ⑤ E0

- ① Series No.
- ② Type: T01 = AWG #26 ~ #32
- ③ Plating Code: 1 = Tin over Nickel
- ④ Material: P = Phosphor Bronze
- ⑤ Other Options: E0 = Standard

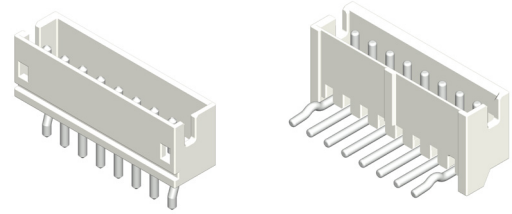
CI

WIRE TO BOARD CONNECTORS

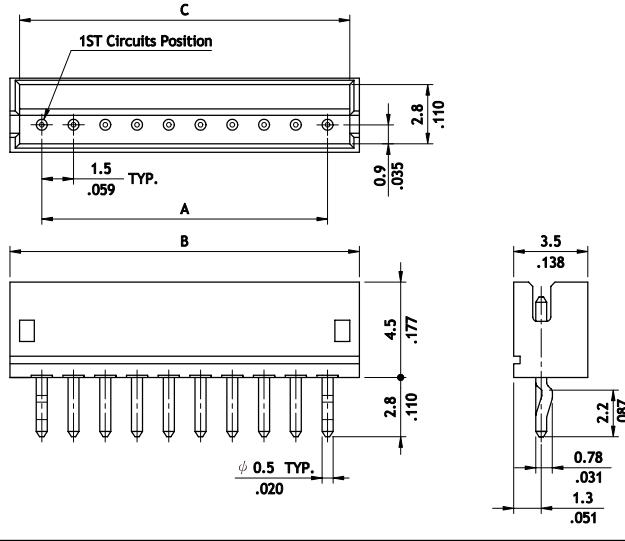
CI15 Series 1.50mm(.059") Wire to Board Connectors DIP Headers

- ⊙ Polarization and Low-profile
- ⊙ Locking slots provide secure mating
- ⊙ Insulator: High temperature plastic UL 94V-0, Color Nature
- ⊙ With Tin plated DIP type contact
- ⊙ Mate with CI15 Housing

RoHS Compliant

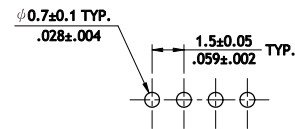
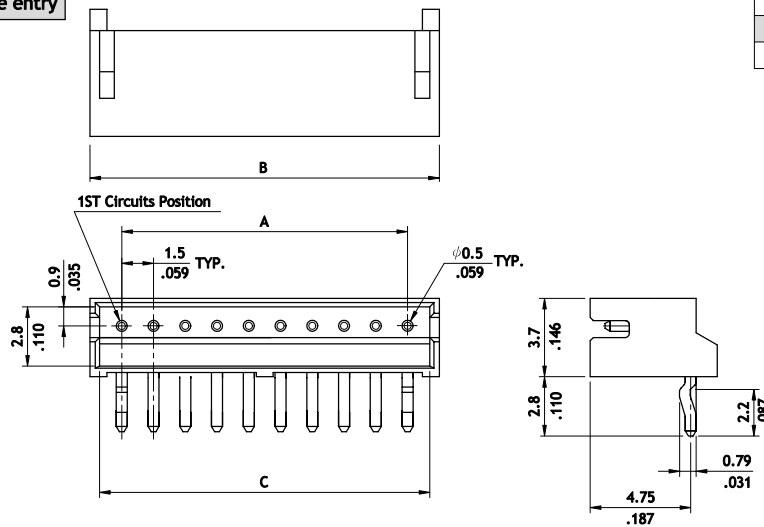


Top entry



Circuits	Dimension		
	A	B	C
2	1.5(.059)	4.5(.177)	3.6(.142)
3	3.0(.118)	6.0(.236)	5.1(.201)
4	4.5(.177)	7.5(.295)	6.6(.260)
5	6.0(.236)	9.0(.354)	8.1(.319)
6	7.5(.295)	10.5(.413)	9.6(.378)
7	9.0(.354)	12.0(.472)	11.1(.437)
8	10.5(.413)	13.5(.531)	12.6(.496)
9	12.0(.472)	15.0(.591)	14.1(.555)
10	13.5(.531)	16.5(.650)	15.6(.614)
11	15.0(.591)	18.0(.709)	17.1(.673)
12	16.5(.650)	19.5(.768)	18.6(.732)
13	18.0(.709)	21.0(.827)	20.1(.791)
14	19.5(.768)	22.5(.886)	21.6(.850)
15	21.0(.827)	24.0(.945)	23.1(.909)

Side entry



Recommended P.C. Board Layout

Ordering Code

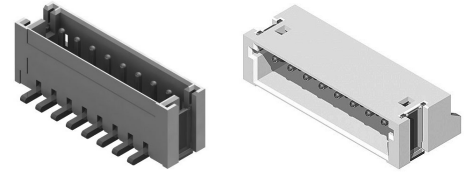
① ② ③ ④ ⑤ ⑥ ⑦ ⑧
CI15 15 P 1 V K 0 - NH

- ① Series No.
- ② No. of Circuits: 02 ~15
- ③ P = DIP Type
- ④ Plating Code : 1= Matte Tin over Nickel
- ⑤ Type : V =Straight H=Right Angle
- ⑥ K = With Pin Kinked
- ⑦ Other Options: 0 = Standard
- ⑧ NH = For Lead Free soldering process and Halogen-Free

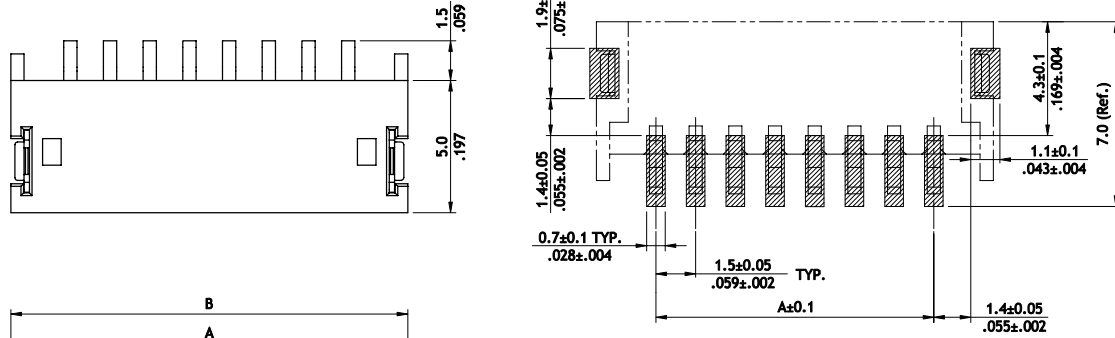
CI15 Series 1.50mm(.059") Wire to Board Connectors SMT Headers

- ⊙ Polarization and Low-profile
- ⊙ Locking slots provide secure mating
- ⊙ Fixed tabs provide PCB hold-down and strain-relief for SMT tails
- ⊙ Insulator: High temperature plastic UL 94V-0, Color Nature
- ⊙ With Tin plated SMT type contact
- ⊙ Mate with CI15 Housing

RoHS Compliant   



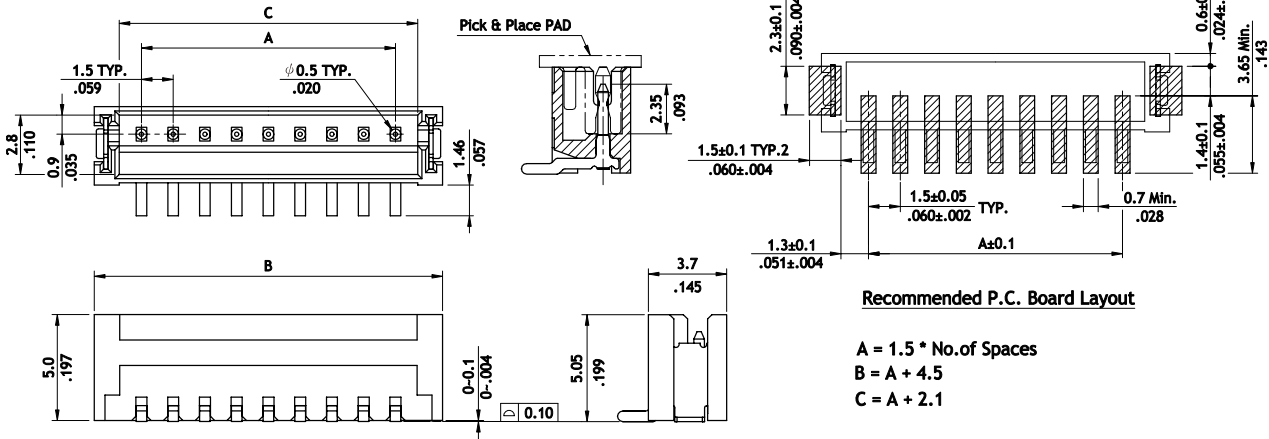
Side entry



Recommended P.C. Board Layout

A = 1.5 x No. of Spaces
 B = A + 4.5
 C = A + 2.1

Top entry



Recommended P.C. Board Layout

A = 1.5 * No. of Spaces
 B = A + 4.5
 C = A + 2.1

Ordering Code

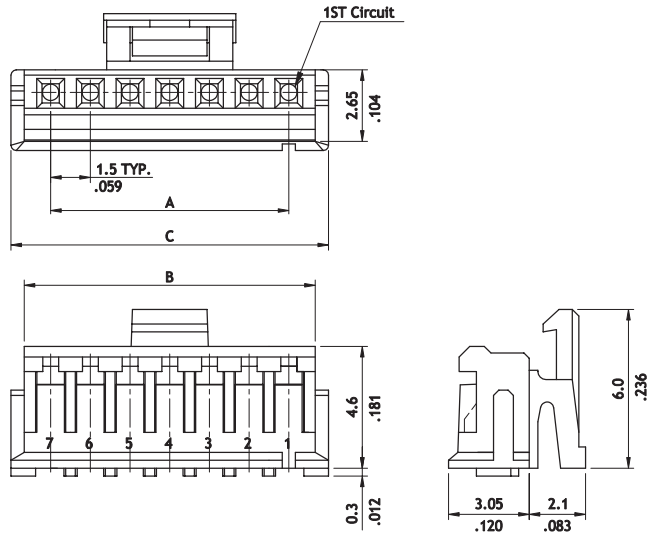
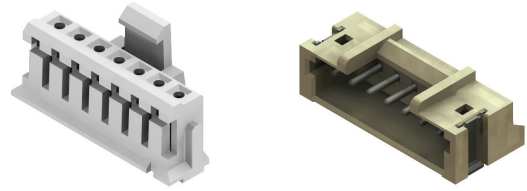
① ② ③ ④ ⑤ ⑥ ⑦ ⑧
CI15 15 M 1 V R 0 - NH

- ① Series No.
- ② No. of Circuits: 02 ~15
- ③ M = SMT Type
- ④ Plating Code: 1 = Matte Tin over Nickel
- ⑤ Type: V = Top Entry H= Side Entry
- ⑥ Packing Options:
 R = Tape & Reel
 T = Tube
- ⑦ Other Options: 0 = Standard
 *Special options consult manufacturer
- ⑧ NH = For Lead Free soldering process and Halogen-Free

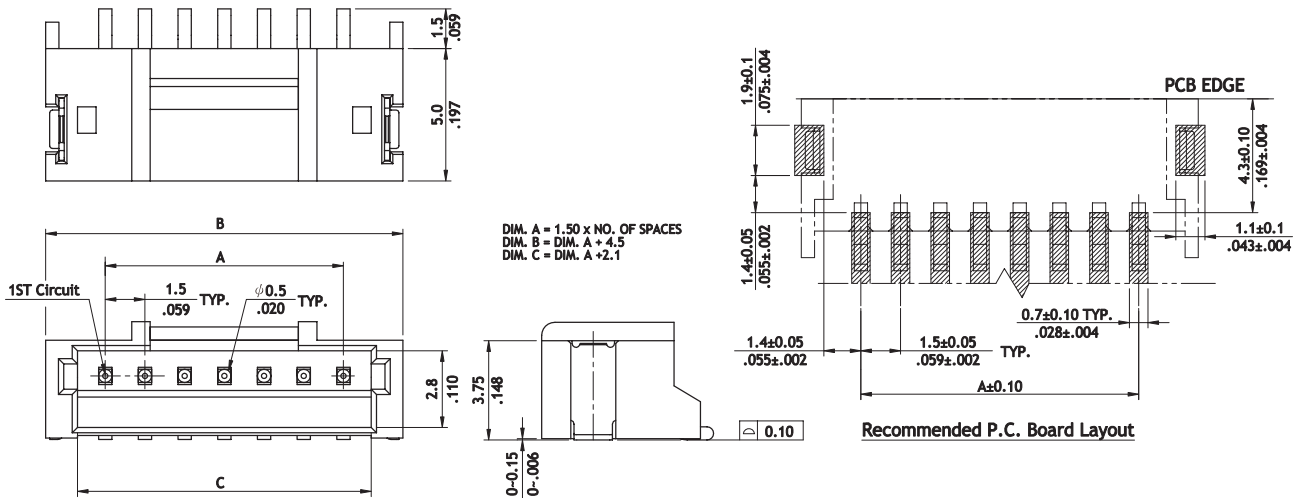
CI15 Series 1.50mm(.059") Wire to Board Latch Type Housing & SMT Header

- ⊙ Fixed tabs provide PCB hold-down
- ⊙ Insulator: High temperature UL 94V-0, Color Nature
- ⊙ Housing: Nylon 66 UL 94V-0, Color Nature
- ⊙ Housing mate with CI15 Terminal (P/N: CI15T011PE0)

RoHS Compliant



Circuits	Dimension		
	A	B	C
4	4.50(.177)	6.5(.256)	7.50(.295)
5	6.00(.236)	8.0(.315)	9.00(.354)
6	7.50(.295)	9.5(.374)	10.50(.413)
7	9.00(.354)	11.0(.433)	12.00(.472)
9	12.00(.472)	14.0(.551)	15.00(.591)
14	19.50(.767)	21.5(.846)	22.50(.886)



Recommended P.C. Board Layout

Ordering Code

① ② ③ ④
C I 15 07 S L 000

- ① Series No.
- ② No. of Circuits: 04~ 07 , 09 , 14
- ③ S = Housing
- ④ Other Options : L000= Standard

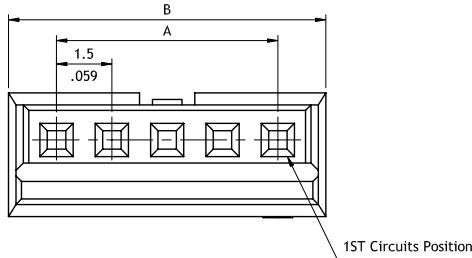
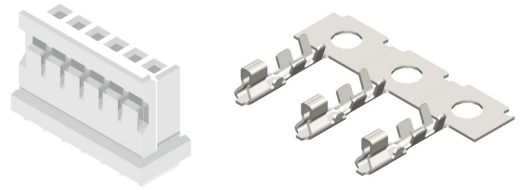
① ② ③ ④ ⑤ ⑥ ⑦ ⑧
C I 15 07 M 1 H T L - N H

- ① Series No.
- ② No. of Circuits: 05,07,09,14
- ③ M = SMT Type
- ④ Plating Code: 1 = Matte Tin over Nickel
- ⑤ Type: H = Right Angle
- ⑥ Packing Options: T = Tube (Standard) R = Tape & Reel
- ⑦ L = Latch Type
- ⑧ NH = For Lead Free IR Process and Halogen-Free

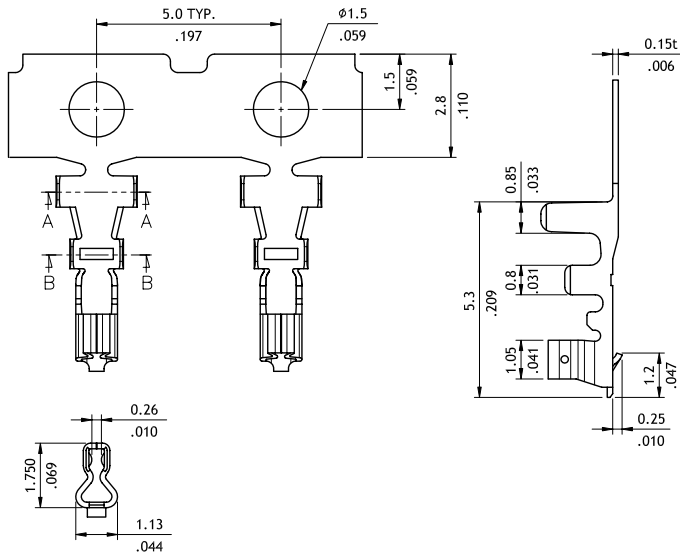
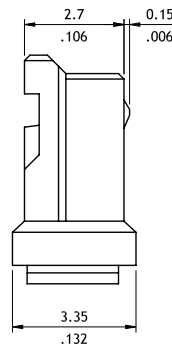
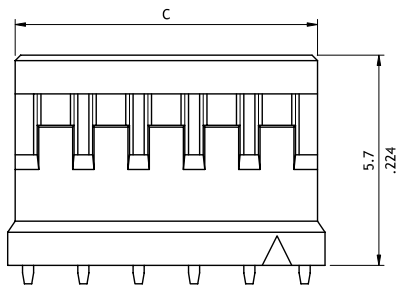
CI19 Series 1.50mm(.059") Wire to Board Connectors Housing & Terminal

- ⊙ Mate with CI19 Header
- ⊙ Can be used with CI19 Crimp Clip Terminal
- ⊙ Insulator: High temperature plastic UL 94V-0, Color Nature

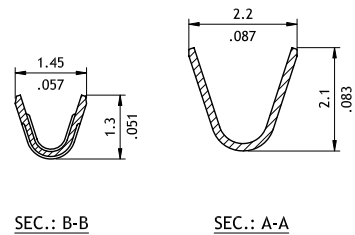
RoHS Compliant  



A = 1.5 * No. of Spaces
 B = A + 2.6
 C = A + 2.2



Wire Range	Insulation Diameter	Reel Qty
AWG #24-#30	1.1 (.043) MAX.	15,000 PCS.



Ordering Code

① C ② I ③ 19 ④ 08 ⑤ S ⑥ L ⑦ 000 - ⑧ NH

① C ② I ③ 19 ④ T01 ⑤ 1 ⑥ P ⑦ E0

- ① Series No.
- ② No. of Circuits: 02 ~ 15 (Available: 02 ~ 06 , 08)
- ③ S = Housing
- ④ L = With Ramp
- ⑤ Other Options: 000 = Standard
- ⑥ NH = Halogen-Free

- ① Series No.
- ② Type: T01 = AWG #24 ~ #30
- ③ Plating Code: 1 = Tin over Nickel
- ④ Material: P = Phosphor Bronze
- ⑤ Other Option: E0 = Standard

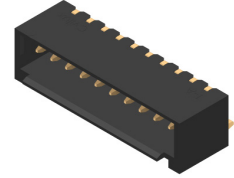
CI

WIRE TO BOARD CONNECTORS

CI19 Series 1.50mm(.059") Wire to Board Connectors SMT Headers

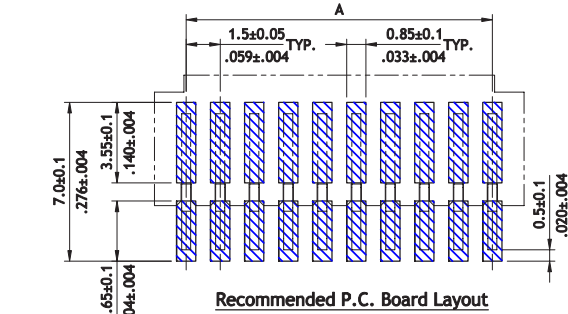
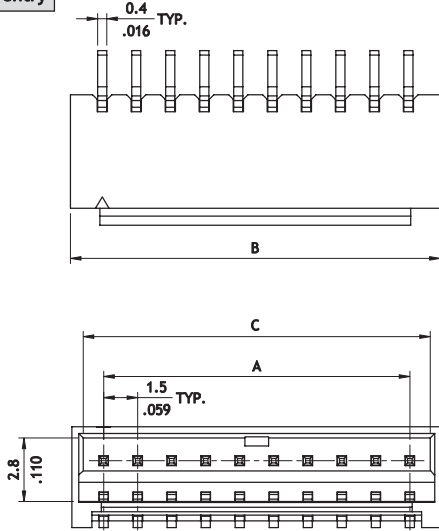
Ⓞ Insulator: High temperature plastic UL 94V-0, Color Black

RoHS Compliant

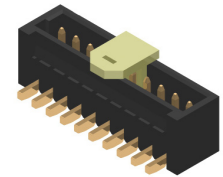
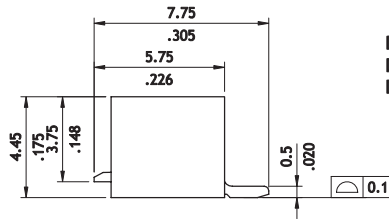


CI

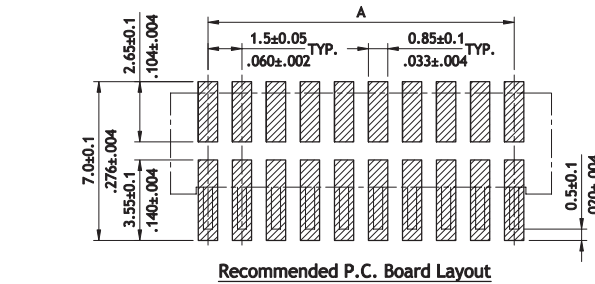
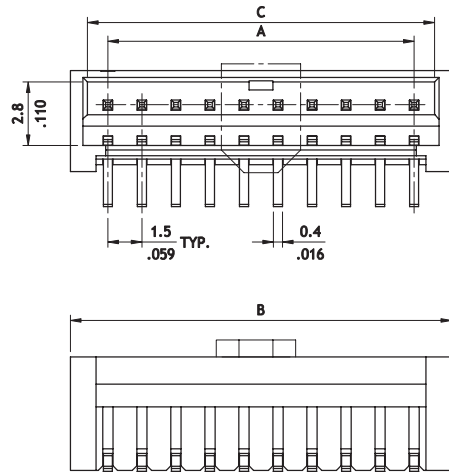
Side entry



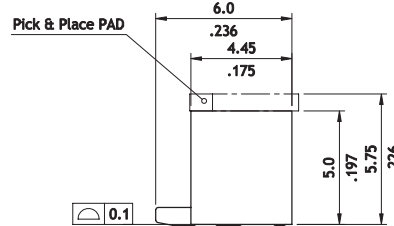
DIM. A = 1.50 x No. of Spaces
 DIM. B = DIM. A + 3.3
 DIM. C = DIM. A + 1.8



Top entry



DIM. A = 1.50 x No. of Spaces
 DIM. B = DIM. A + 3.3
 DIM. C = DIM. A + 1.8



Ordering Code

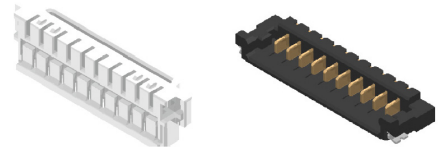
① ② ③ ④ ⑤ ⑥ ⑦
CI19 20 M 1 H R0 - NH

- ① Series No.
- ② No. of Circuits: 02 ~ 20
- ③ M = SMT Type
- ④ Plating Code:
 1 = Matte Tin over Nickel
 2 = Gold flash over Nickel

- ⑤ Type : V = Top Entry
 H = Side Entry
- ⑥ Packing Options:
 R0 = Tape & Reel
- ⑦ NH = For Lead Free IR Process and Halogen-Free

CI87 Series 1.50mm(.059") Wire to Board Housing & Terminal & SMT Header

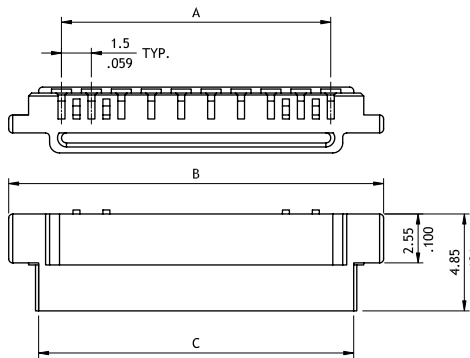
- ⊙ Locking slots provide secure mating
- ⊙ Fixed tabs provide PCB hold-down and strain-relief for SMT tails
- ⊙ Insulator: High temperature plastic UL 94V-0, Color Black (Header)
- ⊙ Insulation: Nylon66 UL 94V-0, Color Nature (Housing)



RoHS Compliant

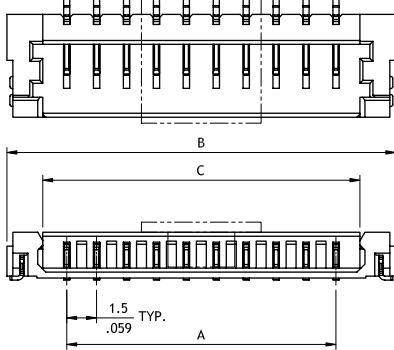
P/N CI87**S0000

Circuits	Dimension		
	A	B	C
8	10.5(.413)	15.8(.622)	12.8(.503)
10	13.5(.531)	18.8(.740)	15.8(.622)

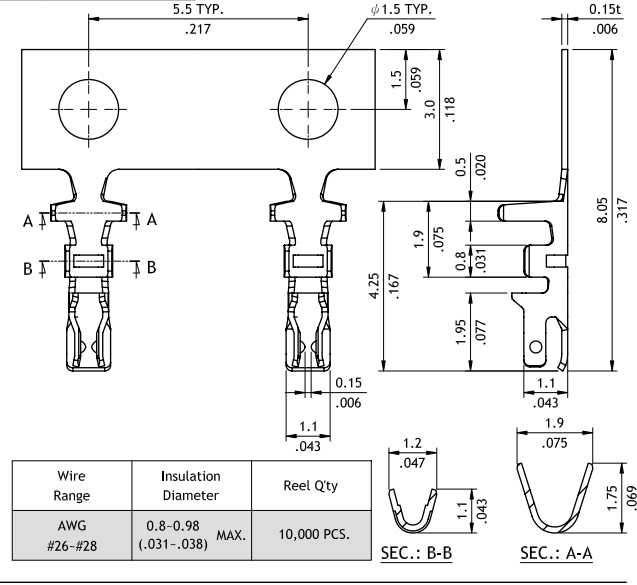


P/N CI87**M2VR0-NH

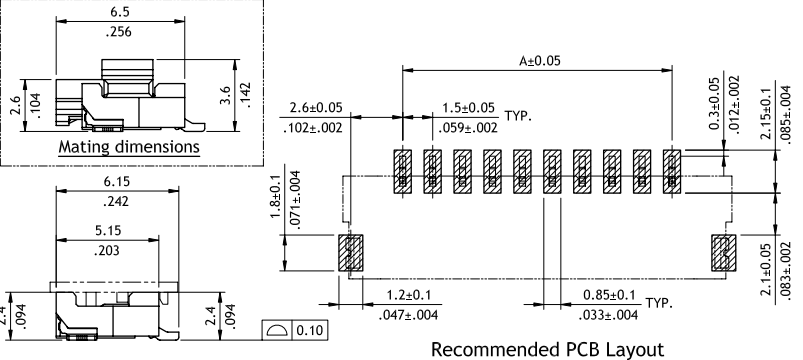
Circuits	Dimension		
	A	B	C
8	10.5(.413)	16.5(.650)	12.9(.508)
10	13.5(.531)	19.5(.768)	15.9(.626)



P/N CI87T012PP0



Wire Range	Insulation Diameter	Reel Qty
AWG #26-#28	0.8-0.98 (.031-.038) MAX.	10,000 PCS.



Ordering Code

① ② ③ ④ ⑤ ⑥ ⑦ ⑧
C I 8 7 1 0 S 0 0 0 0 M 2 V R 0 - N H

- ① Series No.
- ② No. of Circuits: 8,10
- ③ M = SMT Type
- ④ Plating Code : 2 = Gold flash over Nickel
- ⑤ Type: V = Top Entry
- ⑥ Packing Options: R = Tape & Reel
- ⑦ Other Options: 0 = Standard
- ⑧ NH = For Lead Free IR process and Halogen-Free

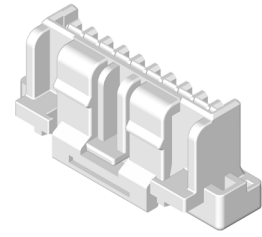
CI

WIRE TO BOARD CONNECTORS

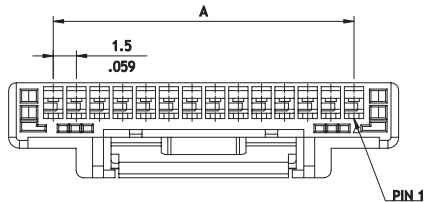
CIDW Series 1.50mm(.059") Single Row Wire to Board Housing & Terminal

- ⊙ With locking wall
- ⊙ Mate with CIDW header
- ⊙ Insulator : PA66 94V-0 , color Nature , terminal accommdated , AWG #2
- ⊙ Terminal : Tin plated Phosphor Bronze

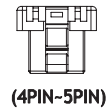
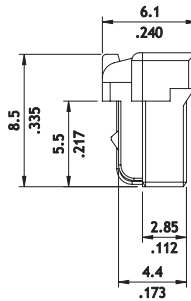
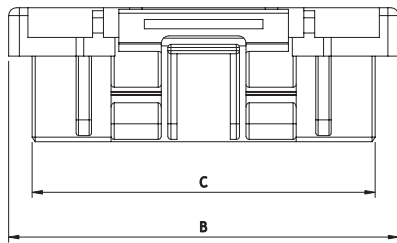
RoHS Compliant



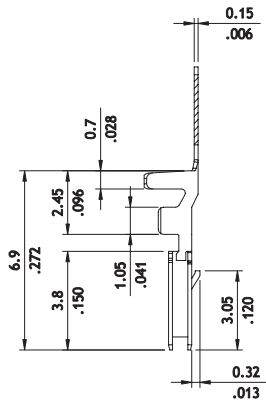
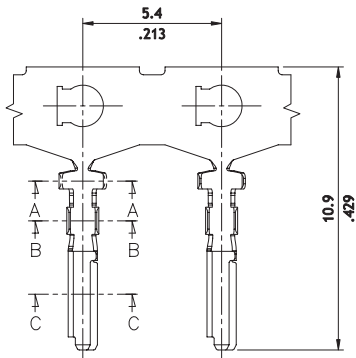
P/N: CIDW**S0000



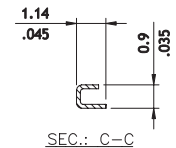
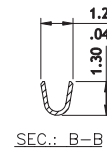
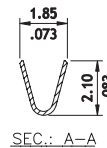
A = 1.5 x No. of Spaces
 B = A + 5.8
 C = A + 2.75



P/N: CIDWT021PE0



Wire Range	Insulation Diameter
AWG #24~#28	1.28 MAX. (.050)



Ordering Code

① C ② I D W ③ 10 ④ S 0000

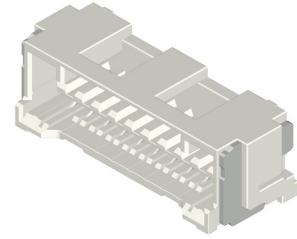
- ① Series No.
- ② No. of Circuits : 02~15
- ③ S = Housing
- ④ Other Options:
0000 = Color Nature

① C ② I D W ③ T02 ④ 1 P ⑤ E0

- ① Series No.
- ② Type: T02 = AWG # 24 ~ # 28
- ③ Plating Code: 1 = Tin over Nickel
- ④ Material: P =Phosphor Bronze
- ⑤ Plating method : E0 = Standard

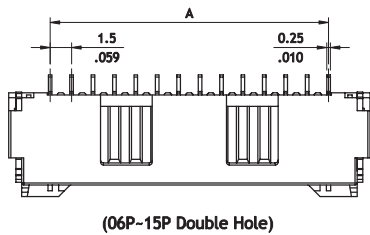
CIDW Series 1.50mm(.059") Wire to Board Connectors SMT Headers

- ⊙ Clik-Mate PCB receptacle positive lock
- ⊙ Mate with CIDW housing
- ⊙ Insulator : High temperature plastic UL 94V-0 , Color Nature
- ⊙ With tin plated

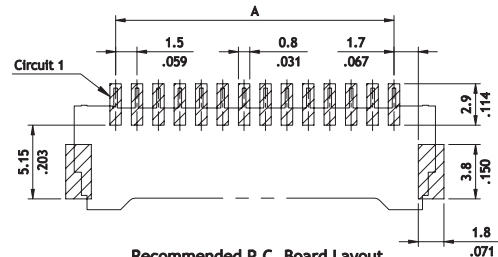


RoHS Compliant

P/N: CIDW**M1HRO-LF

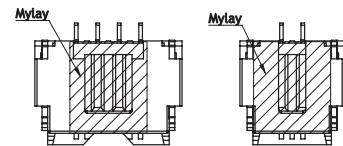
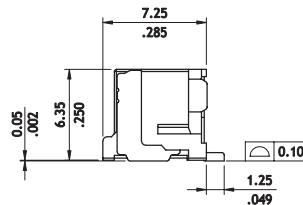
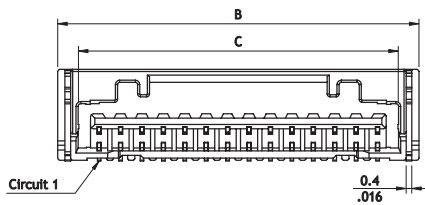


(06P-15P Double Hole)



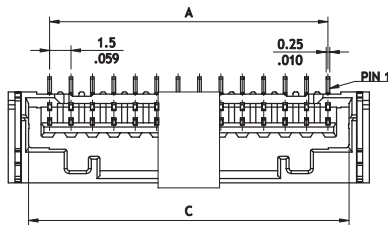
Recommended P.C. Board Layout
General Tolerance±0.05

A = 1.50 x No. of Spaces
B = A + 5.8
C = A + 2.95

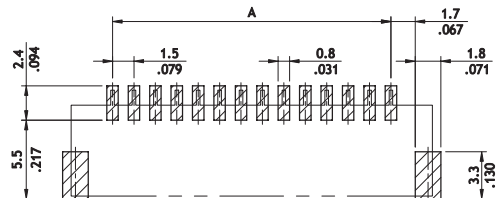


(2P-5P Single Hole)
With Mylar

P/N: CIDW**M1VRO-LF

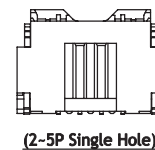
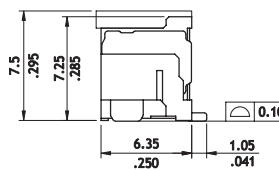
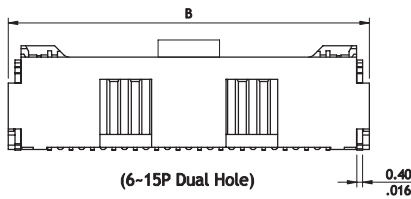


(6-15P Dual Hole)



Recommended P.C. Board Layout
General Tolerance±0.05

A = 1.50 x No. of Spaces
B = A + 5.8
C = A + 2.95



(2-5P Single Hole)

Ordering Code

① CIDW ② 15 ③ M ④ 1 ⑤ H ⑥ R0-LF ⑦

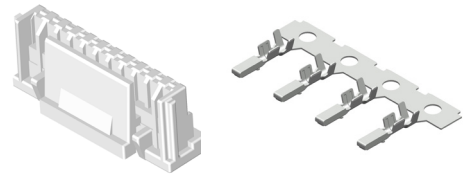
- ① Series No.
- ② No. of Circuits: 02~15
- ③ Contact Type : M =SMT
- ④ Plating Code : 1 = Matte Tin over Nickel
- ⑤ Type : H = Right angle , V = Straight Type
- ⑥ Packing Option : R0 = Tape & Reel
- ⑦ LF = For Lead Free soldering processes

CIEJ Series 1.00 mm(.059") Single Row Wire to Board Housing & Terminal

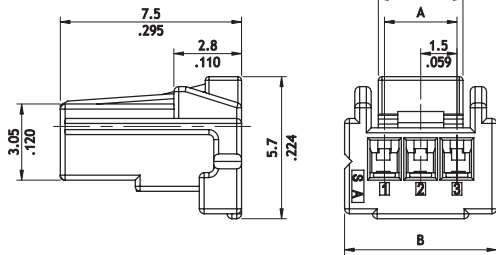
- ⊙ Locking latch provide secure mating
- ⊙ Mate with CIEJ Header
- ⊙ Insulator : PA9T Nylon UL 94 V-0 , Color Nature
- ⊙ Terminal : Tin plated Phosphor Bronze

NEW

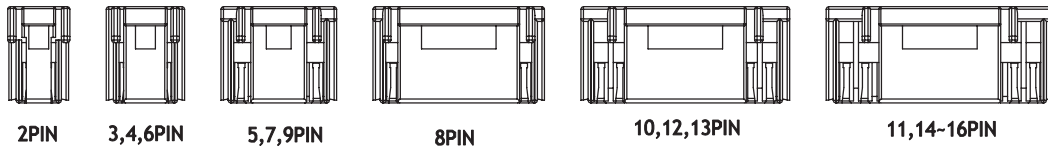
RoHS Compliant



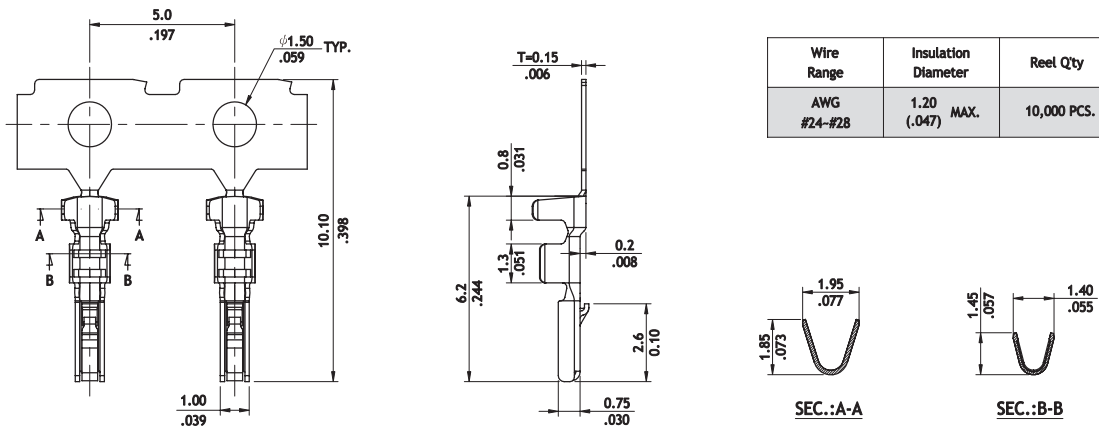
P/N: CIEJ**SL000



Circuits	Dimension			Circuits	Dimension		
	A	B	C		A	B	C
2	1.50(.059)	5.00(.197)	2.70(.106)	10	13.50(.531)	16.80(.661)	9.80(.386)
3	3.00(.118)	6.30(.248)	3.50(.138)	11	15.00(.591)	18.30(.720)	9.80(.386)
4	4.50(.177)	7.80(.307)	4.50(.177)	12	16.50(.650)	19.80(.780)	9.80(.386)
5	6.00(.236)	9.30(.366)	4.50(.177)	13	18.00(.709)	21.30(.839)	11.30(.445)
6	7.50(.295)	10.80(.425)	7.50(.295)	14	19.50(.768)	22.80(.898)	11.30(.445)
7	9.00(.354)	12.30(.484)	7.50(.295)	15	21.00(.827)	24.30(.957)	11.30(.445)
8	10.50(.413)	13.80(.543)	9.80(.386)	16	22.50(.886)	25.80(.1016)	11.30(.445)
9	12.00(.472)	15.30(.602)	9.80(.386)				



P/N: CIEJT021PPO



Ordering Code

① C I E J ② 04 ③ S ④ L ⑤ 000

- ① Series No.
- ② No. of Circuits: 02~09
- ③ S = Receptacle
- ④ L = With Locking Latch
- ⑤ Option : 000 = Standard (Color Nature)

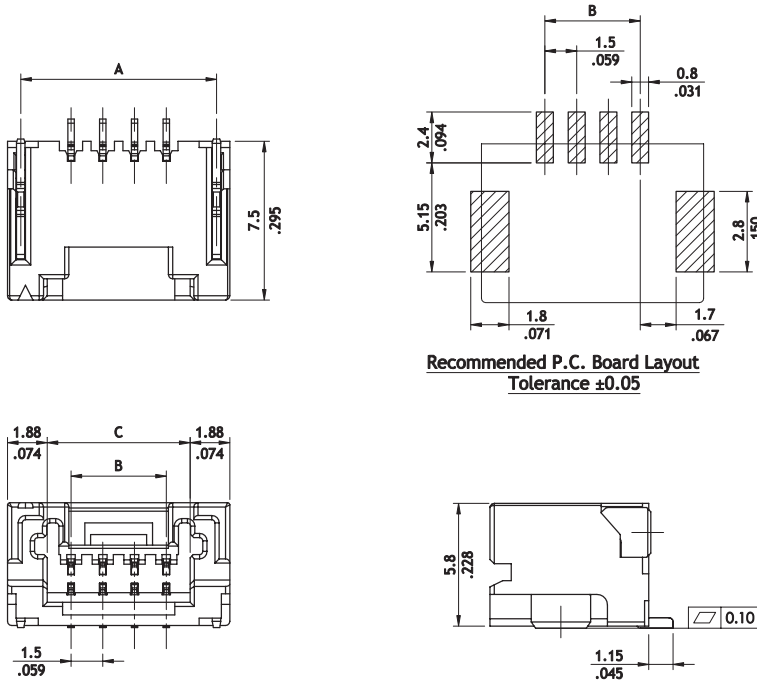
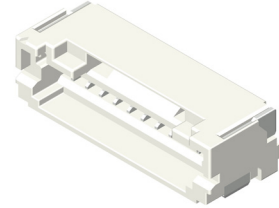
① C I E J ② T02 ③ 1 ④ P ⑤ P0

- ① Series No.
- ② Type : T02= AWG #24~#28
- ③ Plating Code: 1 = Matte Tin over Nickel
- ④ Material : P = Phosphor Bronze
- ⑤ Option : P0 = Standard

CIEJ Series 1.00 mm(.059") Single Row Wire to Board SMT Header

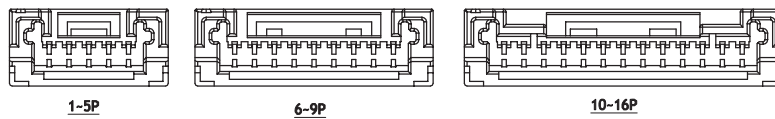
- ⊙ Locking slots provide secure mating
- ⊙ Fix tab PCB hold-down strain-relief for SMT tail
- ⊙ Mate with CIEJ Housing
- ⊙ Insulator : PA9T Nylon UL 94 V-0 , Color Nature

NEW



Recommended P.C. Board Layout
Tolerance ±0.05

Circuits	Dimensions		
	A	B	C
2P	6.25(.246)	1.50(.059)	3.75(.148)
3P	7.75(.305)	3.00(.118)	5.25(.207)
4P	9.25(.364)	4.50(.177)	6.75(.266)
5P	10.75(.423)	6.00(.236)	8.25(.325)
6P	12.25(.482)	7.50(.295)	9.75(.384)
7P	13.75(.541)	9.00(.354)	11.25(.443)
8P	15.25(.600)	10.50(.413)	12.75(.502)
9P	16.75(.659)	12.00(.472)	14.25(.561)
10P	18.25(.719)	13.50(.531)	15.75(.620)
11P	19.75(.778)	15.00(.591)	17.25(.679)
12P	21.25(.837)	16.50(.650)	18.75(.738)
13P	22.75(.896)	18.00(.709)	20.25(.797)
14P	24.25(.955)	19.50(.768)	21.75(.856)
15P	25.75(1.013)	21.00(.828)	23.25(.915)
16P	27.25(1.073)	22.50(.886)	24.75(.974)



Ordering Code

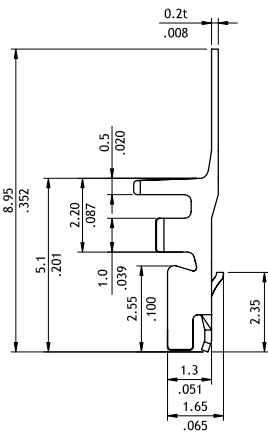
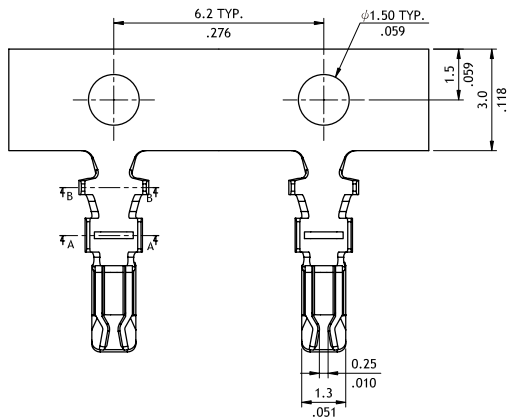
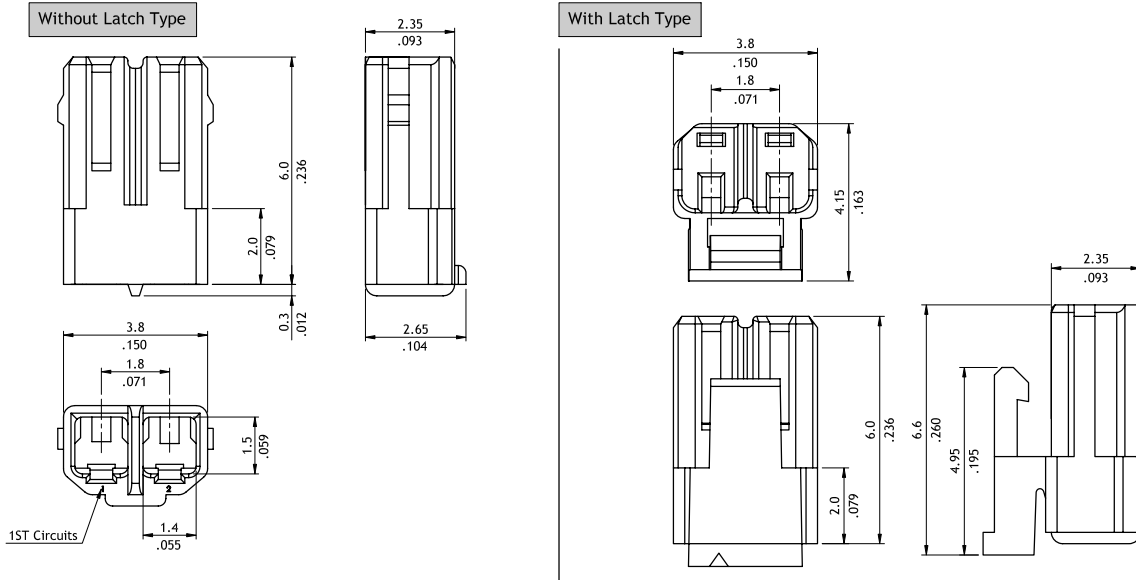
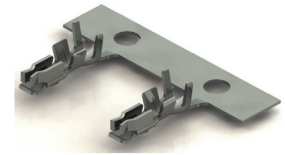
① C ② IEJ ③ 02 ④ M ⑤ 1 ⑥ H ⑦ R ⑧ 0 - NH

- ① Series No.
- ② No. of Circuits: 2~16
- ③ M = SMT Type Header
- ④ Plating Code: 1 = Tin over Nickel
- ⑤ Type : H = Side Entry
- ⑥ Packing Option : R=Tape & Reel packing
- ⑦ Options: 0 = Standard
- ⑧ NH = For Lead Free soldering process and Halogen-Free

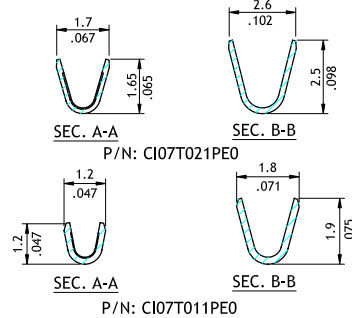
CI07 Series 1.80mm(.071") Wire to Board Connectors Housing & Terminal

- ⊙ Mate with CI07 Header
- ⊙ Can be used with CI07 Crimp Clip Terminal
- ⊙ Insulator: Nylon66 UL 94V-0, Color Nature

RoHS Compliant



Wire Range	Insulation Diameter	Reel Qty
AWG #22-#26	0.95-1.3(mm) (.037-.051)	10,000 PCS
AWG #28-#30	0.88-0.95(mm) (.035-.037)	10,000 PCS



Ordering Code

① C ② I07 ③ 02 ④ S ⑤ L000 - NH

- ① Series No.
- ② No. of Circuits: 02
- ③ S = Housing
- ④ Other Options:
0000 = Without Locking Latch
L000 = With Locking Latch
- ⑤ NH = For Lead Free and Halogen-Free

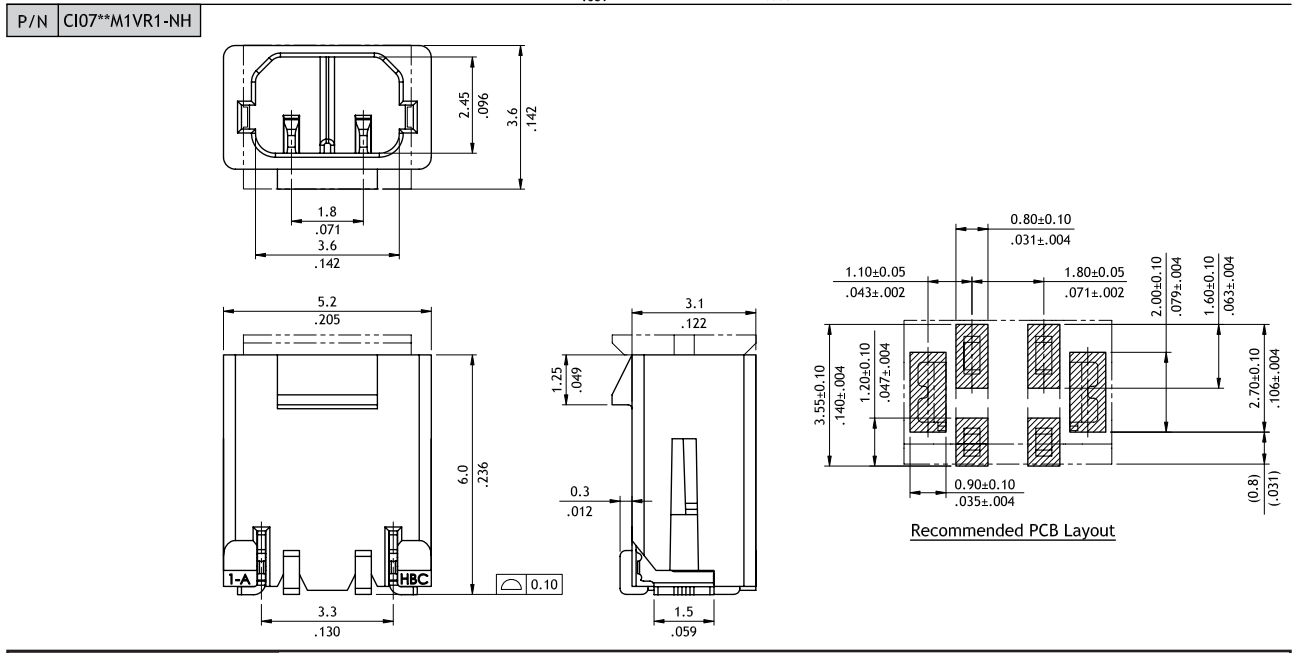
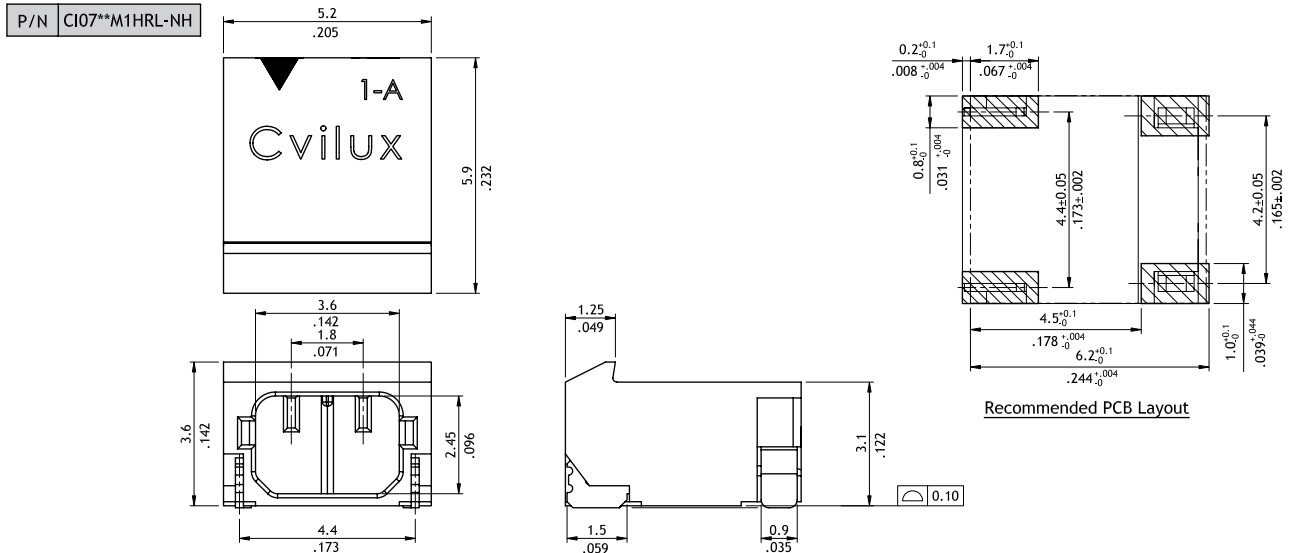
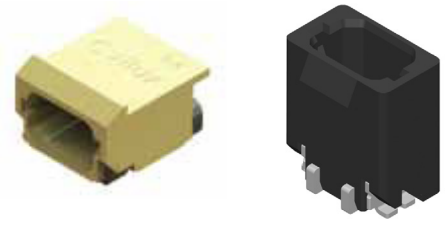
① C I07 ② T02 ③ 1 ④ P E P

- ① Series No.
- ② Type : T01 = AWG #28 ~ #30
T02 = AWG #22 ~ #26
- ③ Plating Code: 1 = Tin over Nickel
- ④ Material: P = Phosphor Bronze
- ⑤ Plating method: E=Pre-tinned
- ⑥ Options: 0 = Standard

CI07 Series 1.80mm(.071") Wire to Board Connectors SMT Headers

- ⊙ Fixed tabs provide PCB hold-down
- ⊙ Mate with CI07 Housing
- ⊙ Insulator: High temperature plastic UL 94V-0, Color Nature

RoHS Compliant   



Ordering Code

① ② ③ ④ ⑤ ⑥ ⑦ ⑧
CI07 02 M 1 H R L - NH

- ① Series No.
- ② No. of Circuits: 02
- ③ M = SMT Type
- ④ Plating Code : 1 = Matte Tin over Nickel

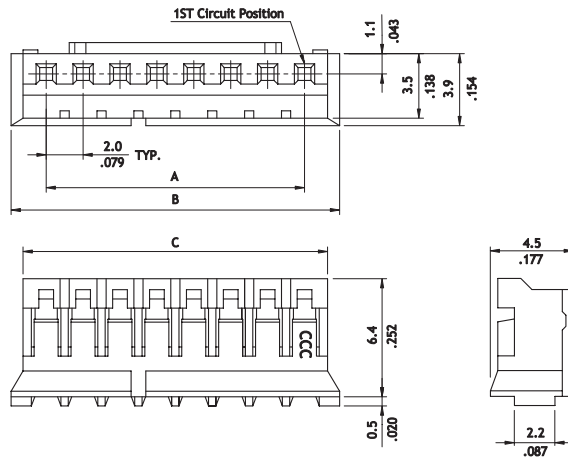
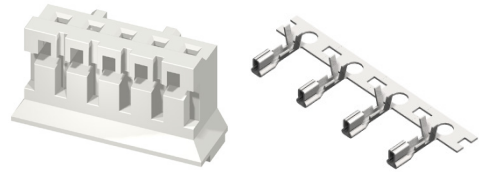
- ⑤ Type: H = Side Entry
V = Top Entry
- ⑥ Packing Options: R = Tape & Reel
- ⑦ Other Options:
L = With Locking Ramp,color Nature(Side entry type)
I = With Locking Ramp,color Black (Top entry type)
- ⑧ NH = For Lead Free IR process and Halogen-Free

CI

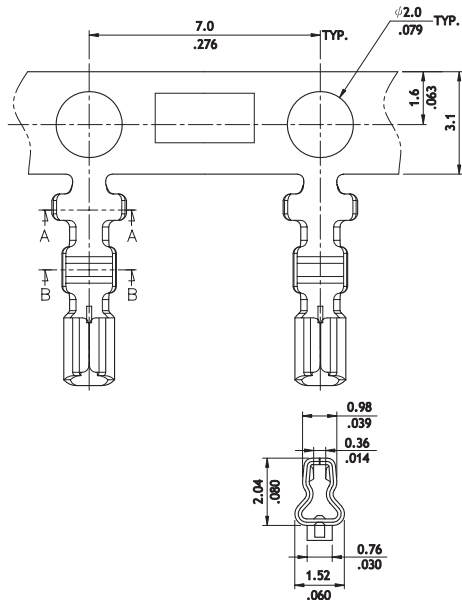
WIRE TO BOARD CONNECTORS

CI01 Series 2.00mm(.079") Single Row Wire to Board Housing & Terminal Connector

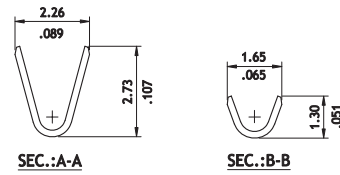
- ⊙ Low profile Latch Housing
- ⊙ Mate with CI01 Header
- ⊙ Can be used CI01 Crimp Clip Terminal
- ⊙ Insulator : Nylon 66 UL 94V-0 , Color Nature
- ⊙ Termial : Tin plated Phosphor Bronze



A = 2.0 x No. of Spaces
 B = A + 3.8
 C = A + 2.5



Wire Range	Insulation Diameter	Reel Qty
AWG #24-#30	1.45 (.057) MAX.	10,000 PCS.



Ordering Code

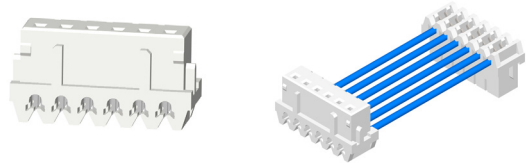
① C I 01 ② 16 ③ S ④ 0 0 0 0

- ① Series No.
- ② No. of Circuits: 02 ~ 16
- ③ S = Housing
- ④ Other Options: 0000 = Standard

① C I 01 ② T 01 ③ 1 ④ P ⑤ E 0

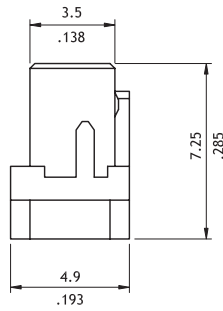
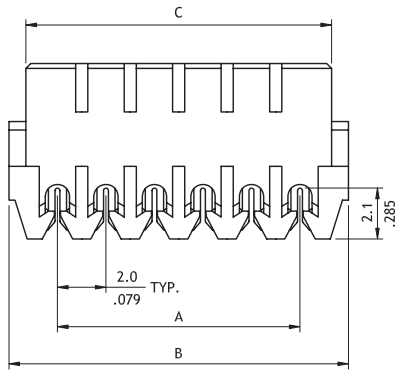
- ① Series No.
- ② Type: T01 =AWG#24~#28
- ③ Plating : 1= Tin over Nickel
- ④ Material: P =Phosphor Bronze
- ⑤ Other Option: E0=Standard

CI01 Series 2.00mm(.079") Single Row IDC Housing and IDC Cable

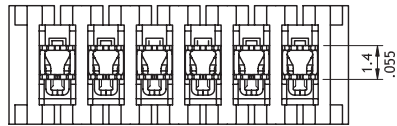


CI

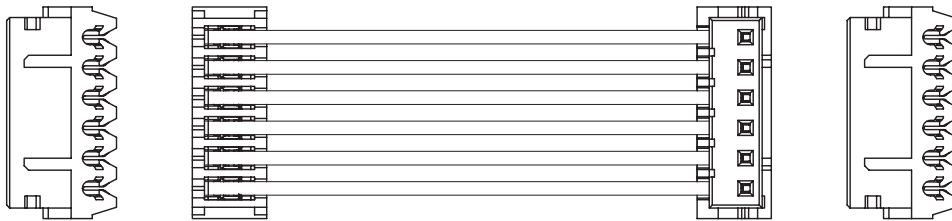
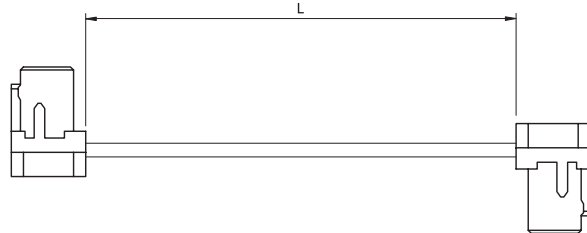
P/N CI01**S1A*0



Wire Range	Insulation Diameter
AWG #26-#28	1.0 (.039) MAX.



A = 2.0 x No. of Spaces
 B = A + 4.0
 C = A + 2.6



Ordering Code

① C ② I ③ 0 ④ 1 ⑤ S ⑥ 1 A ⑦ 0 ⑧ 0

- ① Series No.
- ② No. of Circuits: 02~16
- ③ S = IDC Type
- ④ Plating Code: 1= Tin over Nickel
- ⑤ Color: A0 = Nature(#26)
A6 = Green(#28)
- ⑥ Options: 0 = Standard

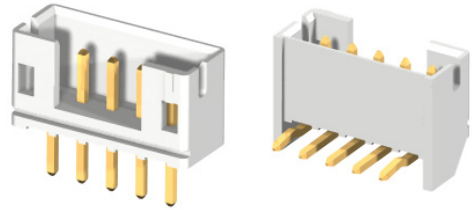
① Q ② H ③ - ④ 0 ⑤ 1 ⑥ I ⑦ 1 ⑧ 2 ⑨ 0 ⑩ 1 ⑪ 0 ⑫ 0 ⑬ 0 ⑭ 0 ⑮ 0

- ① Series No.
- ② No. of Circuits: 02~16
- ③ L = Length : 40~1000 mm(0100=100 mm)
- ④ Wire Color : 00 = All pin counts of White Color
01 = All pin counts of Black Color
02 = All pin counts of Brown Color
- ⑤ Other Options: 0 = Standard

WIRE TO BOARD CONNECTORS

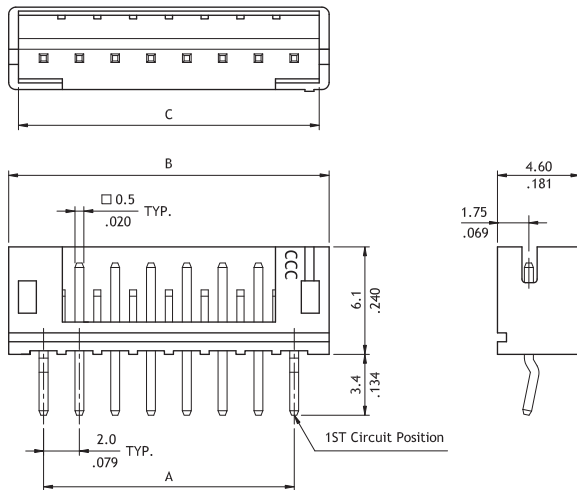
CI01 Series 2.00mm(.079") Single Row Wire to Board DIP Headers

- ⊙ Low profile, Pin kinked
- ⊙ With locking slots
- ⊙ Mate with CI01 Housing
- ⊙ Insulator : High temperature plastic UL 94V-0,Color Nature
- ⊙ With Tin plated 0.5mm square pin

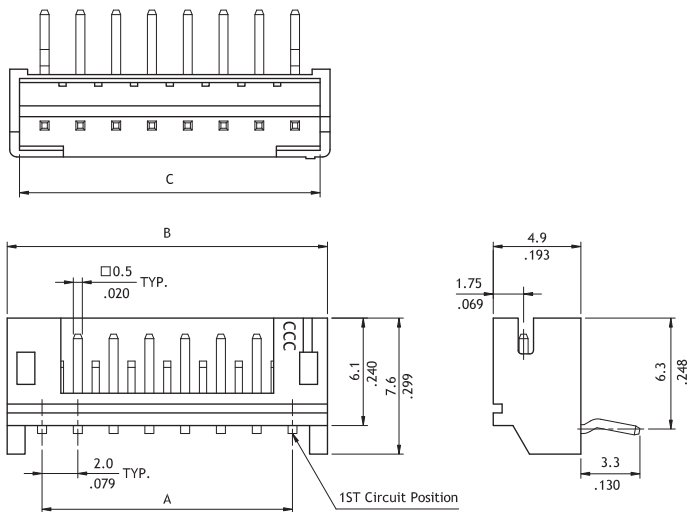


RoHS Compliant

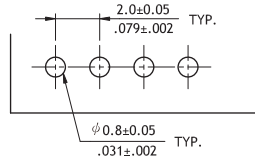
Top entry



Side entry



Circuits	Dimension		
	A	B	C
2	2.0(.079)	6.0(.236)	4.9(.193)
3	4.0(.157)	8.0(.315)	6.9(.272)
4	6.0(.236)	10.0(.394)	8.9(.350)
5	8.0(.315)	12.0(.472)	10.9(.429)
6	10.0(.394)	14.0(.551)	12.9(.508)
7	12.0(.472)	16.0(.630)	14.9(.587)
8	14.0(.551)	18.0(.709)	16.9(.665)
9	16.0(.630)	20.0(.787)	18.9(.744)
10	18.0(.709)	22.0(.866)	20.9(.823)
11	20.0(.787)	24.0(.945)	22.9(.902)
12	22.0(.866)	26.0(1.024)	24.9(.980)
13	24.0(.945)	28.0(1.102)	26.9(1.059)
14	26.0(1.024)	30.0(1.181)	28.9(1.138)
15	28.0(1.102)	32.0(1.260)	30.9(1.217)
16	30.0(1.181)	34.0(1.338)	32.9(1.295)



Recommended PCB Layout

Ordering Code	①	②	③	④	⑤	⑥	⑦
	CI01	16	P	1	V	K0	-NH

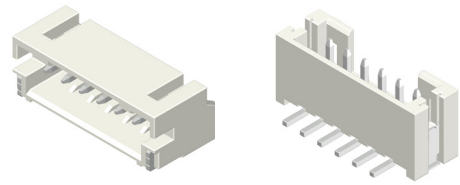
① Series No.
 ② No. of Circuits: 02 ~ 16
 ③ P = DIP Type
 ④ Plating Code: 1 = Matte Tin over Nickel
 ⑤ Type: V = Top entry
 H = Side entry
 ⑥ Other Options:
 00 = Without Pin Kinked
 K0 = With Pin Kinked (Standard)
 *Special options consult manufacturer
 ⑦ NH = For Lead Free soldering process and Halogen-Free

CI

WIRE TO BOARD CONNECTORS

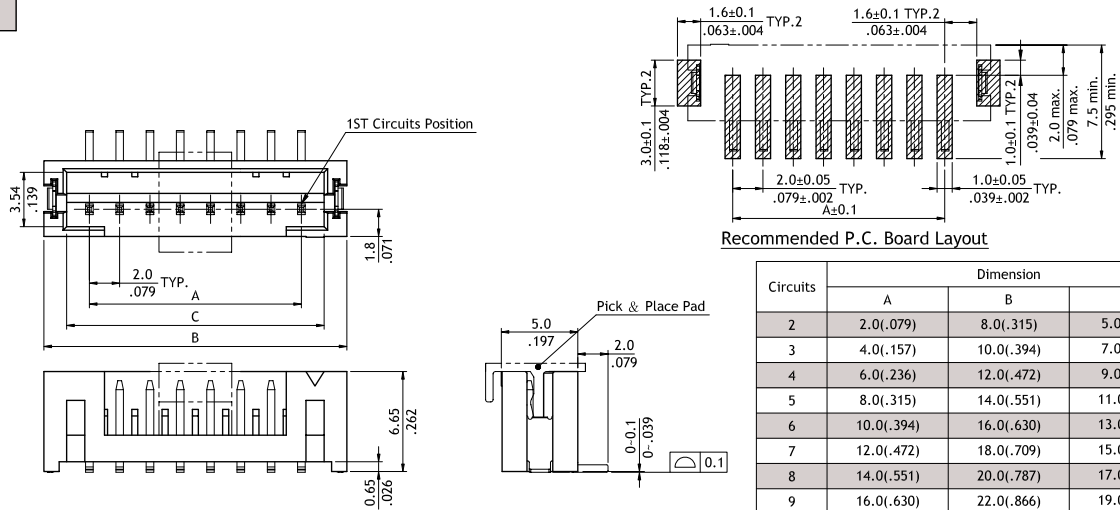
CI01 Series 2.00mm(.079") Single Row Wire to Board SMT Headers

- Ⓞ Polarization and Low-profile
- Ⓞ Locking slots provide secure mating
- Ⓞ Fixed tabs provide PCB hold-down
- Ⓞ Mate with CI01 Housing
- Ⓞ Insulator: High temperature plastic UL 94V-0, Color Nature
- Ⓞ Terminal: Tin plated Brass

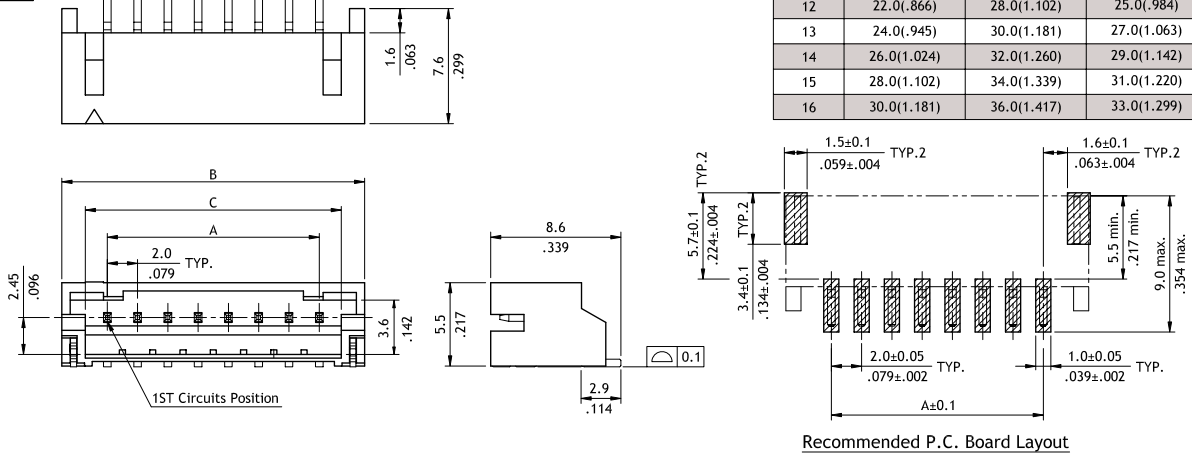


RoHS Compliant

Top entry



Side entry



Ordering Code

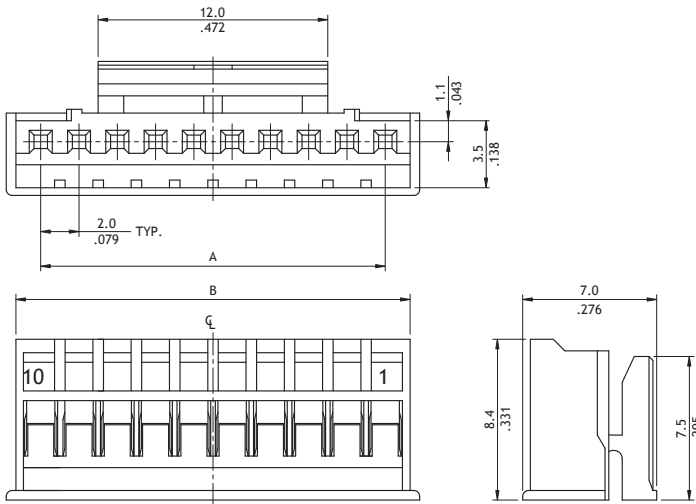
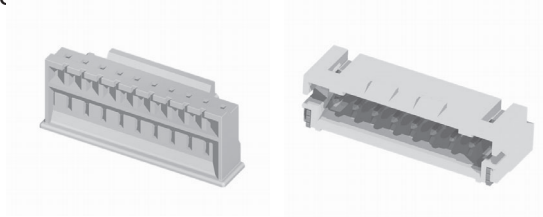
① ② ③ ④ ⑤ ⑥ ⑦ ⑧
CI01 15 M 1 V R 0 - NH

- ① Series No.
- ② No. of Circuits: Top Entry: 02 ~ 15
Side Entry: 02 ~ 16
- ③ M = SMT Type
- ④ Plating Code: 1 = Matte Tin over Nickel
- ⑤ Type : V = Top Entry
H = Side Entry

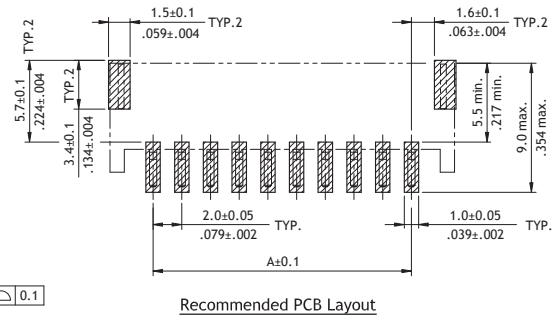
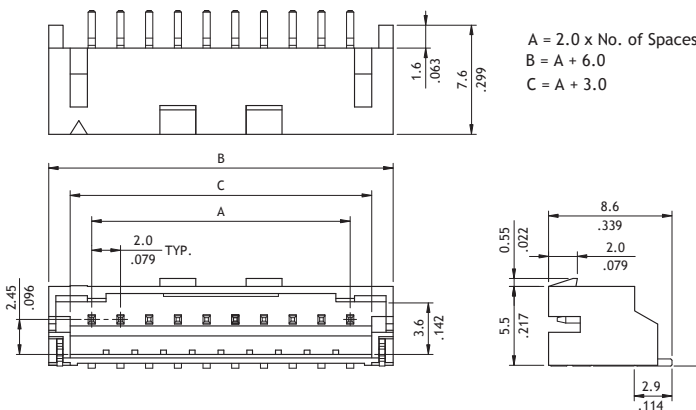
- ⑥ Packing Options:
T = Tube
R = Tape & Reel
(Top Entry type with pick & place Pad)
- ⑦ Other Options: 0 = Standard
Z = Special Insulation Material
*Special options consult manufacturer
- ⑧ NH = For Lead Free IR process and Halogen-Free

CI01 Series 2.00mm(.079") Single Row Wire to Board Housing & SMT Header

- ⊙ With locking latch provide secure mating
- ⊙ Fixed tabs provide PCB hold-down
- ⊙ Insulator: High temperature plastic UL 94V-0 , Color Nature
- ⊙ Housing: Mate with CI06 terminal (P/N: CI06T011PE0)



Circuits	Dimension	
	A	B
10	18.0(.709)	20.6(.811)
12	22.0(.866)	24.6(.969)
14	26.0(1.024)	28.6(1.126)
16	30.0(1.181)	32.6(1.283)



Ordering Code

① ② ③ ④ ⑤

C I 0 1 1 6 S 0 0 L 0

① ② ③ ④ ⑤ ⑥ ⑦ ⑧

C I 0 1 1 6 M 1 H R L - N H

① Series No.

② No. of Circuits: 10, 12, 14, 16

③ S = Housing

④ Latch Options:
00L = With Locking Latch

⑤ Other Options:
0 = Standard (Color Nature)
*Special options consult manufacturer

① Series No.

② No. of Circuits: 10, 12, 14, 16

③ M = SMT Type

④ Plating Code: 1 = Matte Tin over Nickel

⑤ Type: H = Side Entry

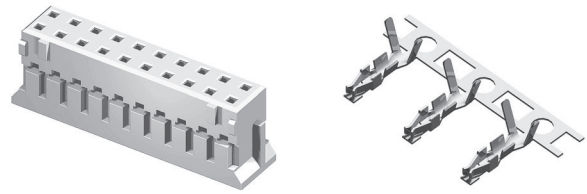
⑥ Packing Options: R = Tape & Reel ; T = Tube

⑦ Other Options: L = With Locking Latch

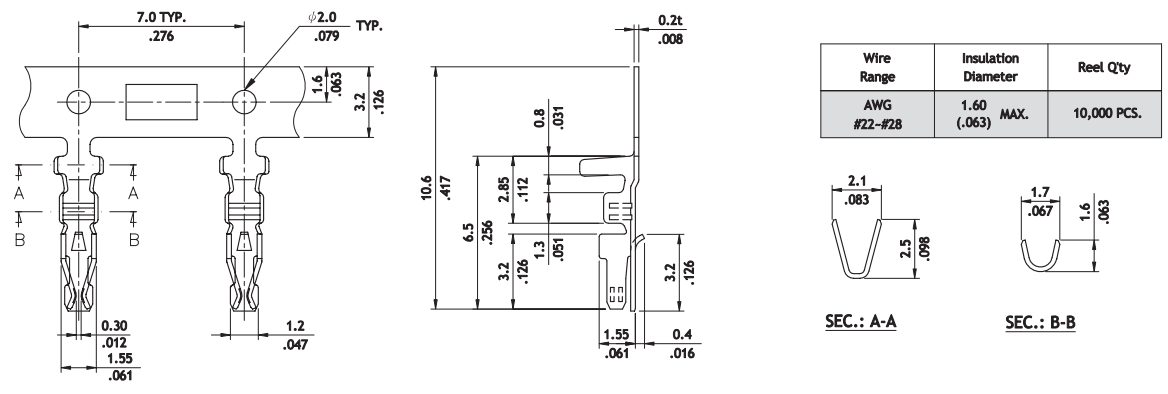
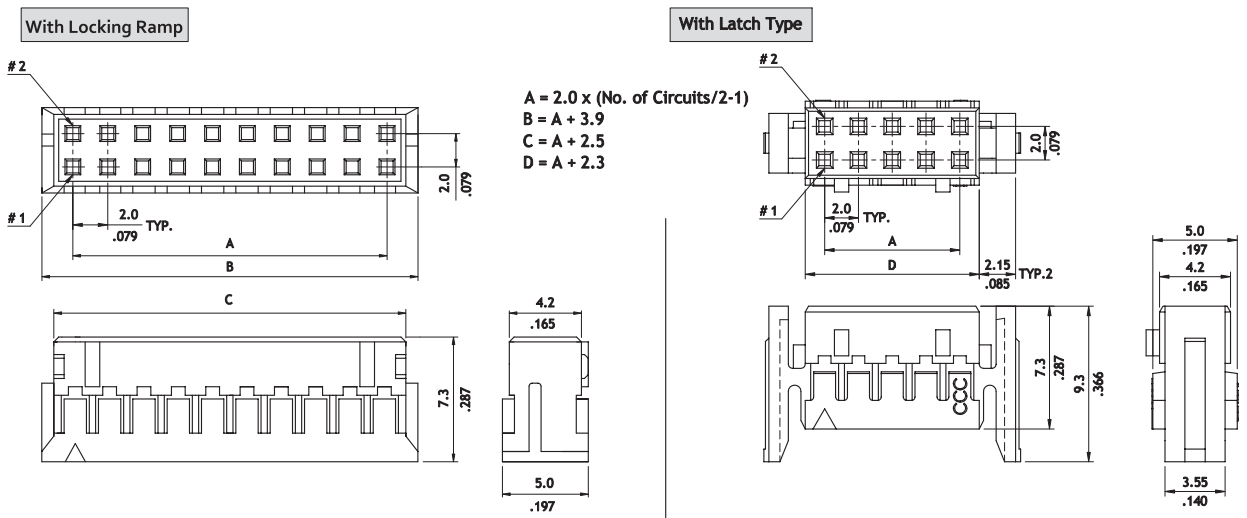
⑧ NH = For Lead Free soldering process and Halogen-Free

CI01 Series 2.00mm(.079") Dual Row Wire to Board Housing & Terminal

- ⊙ Low profile latch with housing
- ⊙ Mate with CI01, CH71, CH72, CH74, CH75 header
- ⊙ Can be used with CI01 crimp clip terminal (P/N: CI01TD21PE0)
- ⊙ Insulator: Nylon 66 UL 94V-0, Color Nature



CI



WIRE TO BOARD CONNECTORS

Ordering Code

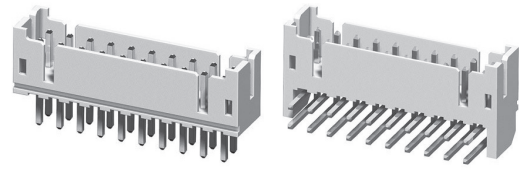
①	②	③	④	⑤	①	②	③	④	⑤
CI01	16	S	D0	00	CI01	TD2	1	P	E0

① Series No.
 ② No. of Circuits: 06 ~ 34
 ③ S = Housing
 ④ D0 = Dual Row Type
 ⑤ Other Options: 00 = With Locking Ramp
 L0 = With Locking Latch
 *Special options consult manufacturer

① Series No.
 ② Type: TD2 = AWG #22 ~ #28
 ③ Plating Code: 1 = Tin over Nickel
 ④ Material: P = Phosphor Bronze
 ⑤ Other Options: E0 = Standard

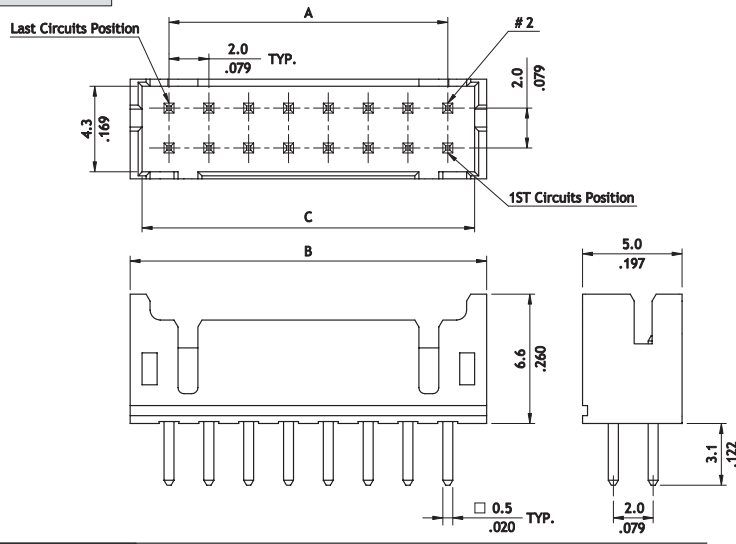
CI01 Series 2.00mm(.079") Dual Row Wire to Board Connectors DIP Headers

- ⊙ With locking slots
- ⊙ Mate with CI01 Dual Row Housing
- ⊙ Insulator: High temperature plastic UL 94V-0, Color Nature
- ⊙ With Tin plated 0.5mm square pin

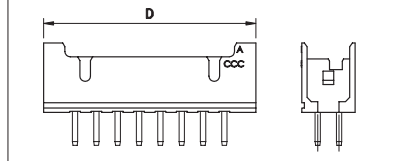


RoHS Compliant

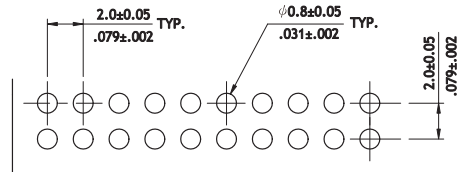
Straight Type



With Latch Type

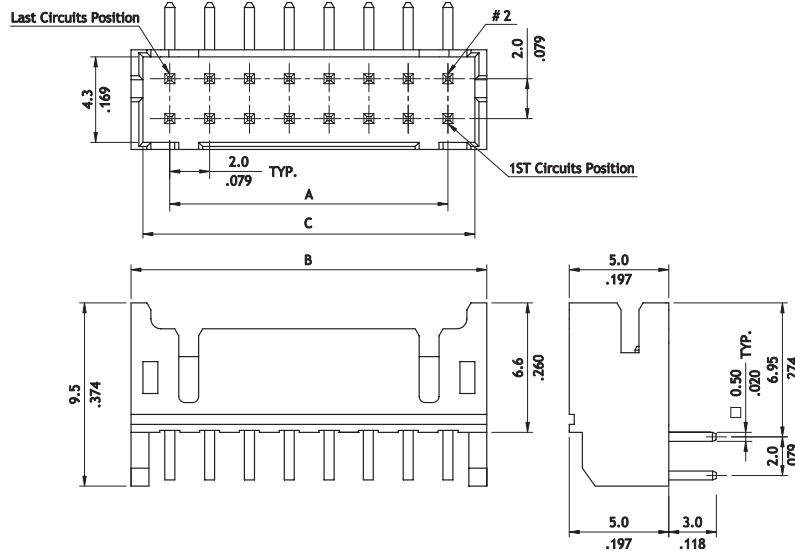


A = 2.0 x No. of Spaces
 B = A + 3.9
 C = A + 2.7
 D = A + 5.9

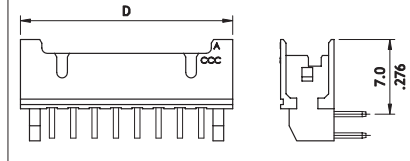


Recommended P.C. Board Layout

Right angle Type



With Latch Type



Ordering Code

① CI01 ② 34 ③ P ④ 1 ⑤ V ⑥ D ⑦ 0 ⑧ -NH

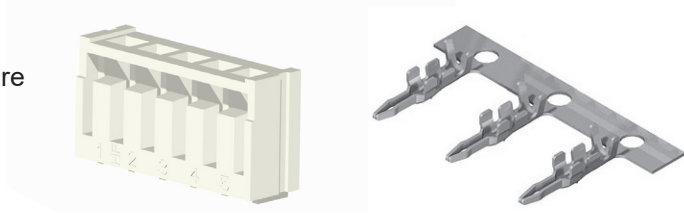
- ① Series No.
- ② No. of Circuits: 06 ~ 34
- ③ P = DIP Type
- ④ Plating Code: 1=Matte Tin over Nickel
- ⑤ Type: V=Straight
H=Right Angle

- ⑥ D=Dual Row Header
- ⑦ Other Options: 0 = With Locking Slot
L = With Locking Ramp
- ⑧ NH = For Lead Free soldering process and Halogen-Free
*Special options consult manufacturer

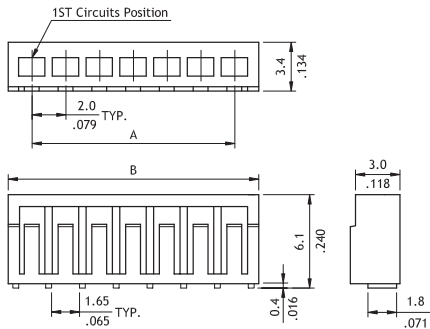
CI02 Series 2.00mm(.079") Board In Connectors

- ⊙ Low profile Housing
- ⊙ Mate with CI02 Crimp board Terminal
- ⊙ Insulator: Nylon 66 UL 94V-0, Color Nature
- ⊙ Terminal: Tin plated Copper alloy

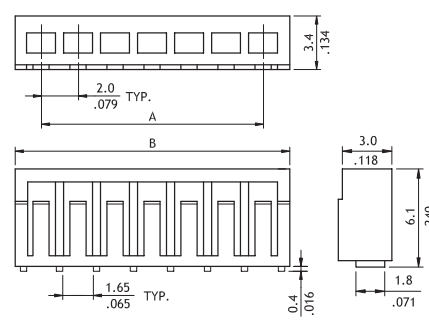
RoHS Compliant  



P/N CI02**S0000

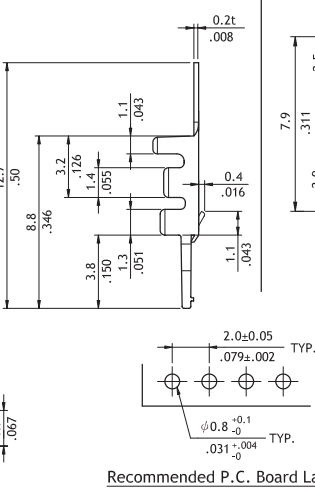
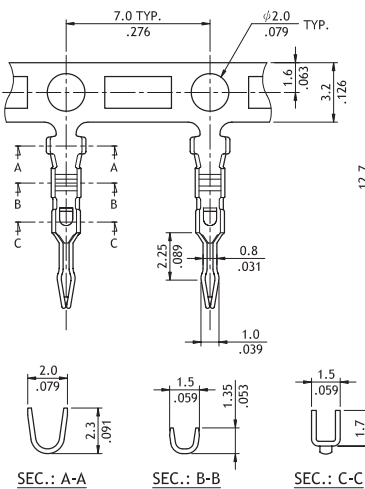


P/N CI02**S000H

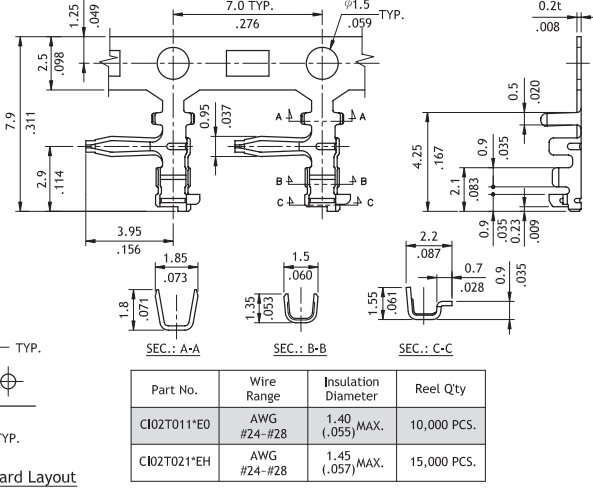


Circuits	Dimension	
	A	B
2	2.0(.079)	5.2(.205)
3	4.0(.157)	7.2(.283)
4	6.0(.236)	9.2(.362)
5	8.0(.315)	11.2(.441)
6	10.0(.394)	13.2(.520)
7	12.0(.472)	15.2(.598)
8	14.0(.551)	17.2(.677)
9	16.0(.630)	19.2(.756)
10	18.0(.709)	21.2(.835)
11	20.0(.787)	23.2(.913)
12	22.0(.866)	25.2(.992)
13	24.0(.945)	27.2(1.071)
14	26.0(1.024)	29.2(1.150)
15	28.0(1.102)	31.2(1.228)
16	30.0(1.181)	33.2(1.307)

P/N CI02T011*E0



P/N CI02T021*E0



Ordering Code

① ② ③ ④
C I 0 2 2 0 S 0 0 0 0 - A

- ① Series No.
- ② No. of Circuits: 02 ~ 20
- ③ S = Housing
- ④ Other Options:
0000-A = For Straight Terminal
000H-A = For Right Angle Terminal
*Special options consult manufacturer

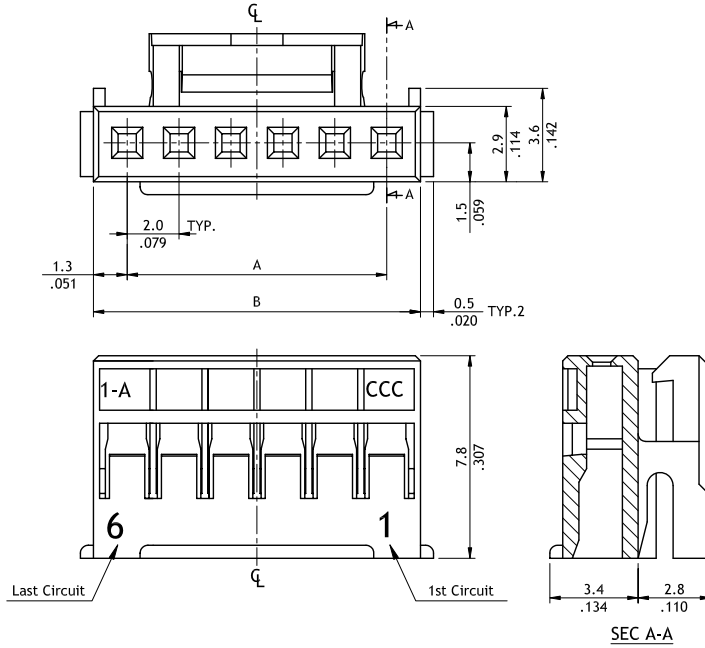
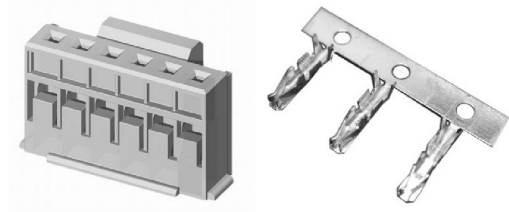
① ② ③ ④ ⑤
C I 0 2 T 0 2 1 P P 0

- ① Series No.
- ② Type: T02 = AWG #24 ~ #28 (Straight)
T02 = AWG #26 ~ #28 (Right Angle)
- ③ Plating Code: 1 = Tin over Nickel
- ④ Material: P = Phosphor Bronze ; B = Brass
- ⑤ Terminal Style: P0 = Straight
PH = Right Angle

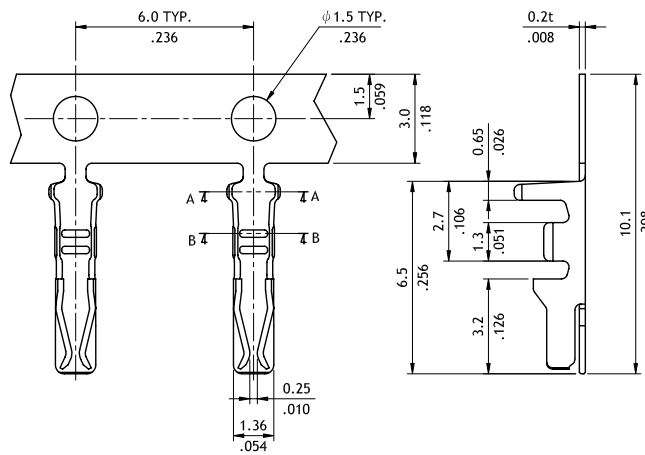
CI06 Series 2.00mm(.079") Wire to Board Connectors Housing & Terminal

- ⊙ With locking latch provides secure mating
- ⊙ Mate with CI06 Header
- ⊙ Can be used with CI06 Crimp Clip Terminal
- ⊙ Insulator: Nylon 66 UL 94V-0, Color Nature

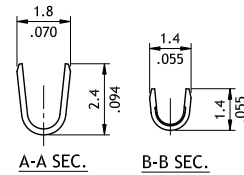
RoHS Compliant



Circuits	Dimension	
	A	B
2	2.0(.079)	4.6(.181)
3	4.0(.157)	6.6(.260)
4	6.0(.236)	8.6(.339)
5	8.0(.315)	10.6(.417)
6	10.0(.394)	12.6(.496)
7	12.0(.472)	14.6(.575)
8	14.0(.551)	16.6(.654)
9	16.0(.630)	18.6(.732)
10	18.0(.709)	20.6(.811)
11	20.0(.787)	22.6(.890)
12	22.0(.866)	24.6(.969)
13	24.0(.945)	26.6(1.047)
14	26.0(1.024)	28.6(1.126)
15	28.0(1.102)	30.6(1.205)
16	30.0(1.181)	32.6(1.283)



Wire Range	Insulation Diameter	Reel Qty
AWG #24-#30	0.80 Min. (.031) 1.45 MAX. (.057)	10,000 PCS.



Ordering Code

① C I 0 6 ② 1 6 ③ S ④ 0 0 0 0

① C I 0 6 ② T 0 1 ③ 1 ④ P ⑤ E 0

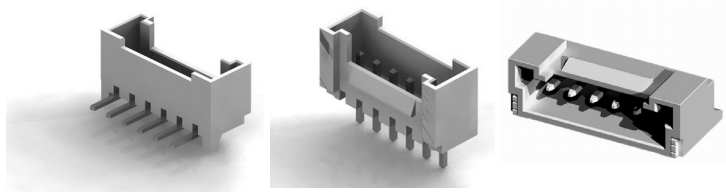
- ① Series No.
 - ② No. of Circuits: 02 ~ 16
 - ③ S = Housing
 - ④ Other Options: 0000 = Standard
- *Special options consult manufacturer

- ① Series No.
- ② Type: T01 = AWG #24 ~ #30
- ③ Plating Code: 1 = Tin over Nickel
- ④ Material: P = Phosphor Bronze
- ⑤ Other Options: E0 = Standard

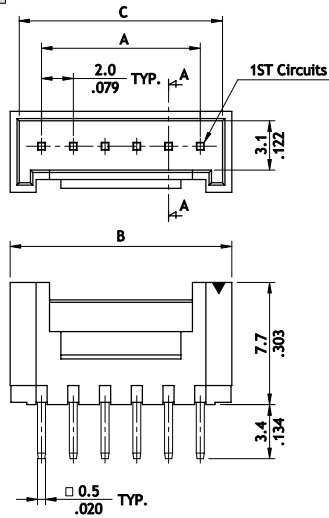
CI06 Series 2.00mm(.079") Wire to Board Connectors DIP & SMT Headers

- ⊙ With locks provide secure mating
- ⊙ Mate with CI06 housing
- ⊙ Insulator: High temperature plastic UL 94V-0 , Color Nature
- ⊙ With Tin plated 0.5mm square pin

RoHS Compliant  

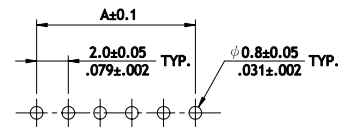
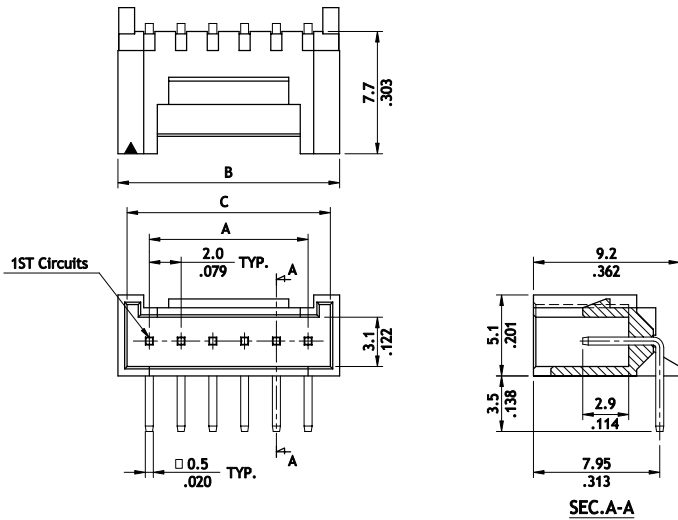


Straight Type



Circuits	Dimension		
	A	B	C
2	2.0(.079)	5.96(.235)	4.8(.189)
3	4.0(.157)	7.96(.313)	6.8(.268)
4	6.0(.236)	9.96(.392)	8.8(.346)
5	8.0(.315)	11.96(.471)	10.8(.425)
6	10.0(.394)	13.96(.550)	12.8(.504)
7	12.0(.472)	15.96(.628)	14.8(.583)
8	14.0(.551)	17.96(.707)	16.8(.661)
9	16.0(.630)	19.96(.786)	18.8(.740)
10	18.0(.709)	21.96(.865)	20.8(.819)
11	20.0(.787)	23.96(.943)	22.8(.898)
12	22.0(.866)	25.96(1.022)	24.8(.976)
13	24.0(.945)	27.96(1.101)	26.8(1.055)
14	26.0(1.024)	29.96(1.180)	28.8(1.134)
15	28.0(1.102)	31.96(1.258)	30.8(1.213)
16	30.0(1.181)	33.96(1.337)	32.8(1.291)

Right angle Type



Recommended P.C. Board Layout

Ordering Code

① ② ③ ④ ⑤ ⑥ ⑦
CI06 16 P 1 V 00 - NH

- ① Series No.
 - ② No. of Circuits: 02 ~ 16
 - ③ P = DIP Type
 - ④ Plating Code: 1 = Matte Tin over Nickel
 - ⑤ Type: V = Straight ; H = Right Angle
 - ⑥ Other Options: 00 = Standard
 - ⑦ NH = For Lead Free soldering process and Halogen-Free
- *Special options consult manufacturer

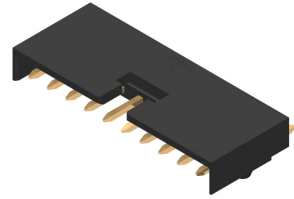
① ② ③ ④ ⑤ ⑥ ⑦ ⑧
CI06 16 M 1 H R 0 - NH

- ① Series No.
- ② No. of Circuits: 02 ~ 16
- ③ M = SMT Type
- ④ Plating Code: 1 = Matte Tin over Nickel
- ⑤ Type: H = Side Entry
- ⑥ Packing: R = Tape & Reel ; T = Tube
- ⑦ Other Options: 0 = Standard
- ⑧ NH = For Lead Free soldering process and Halogen-Free

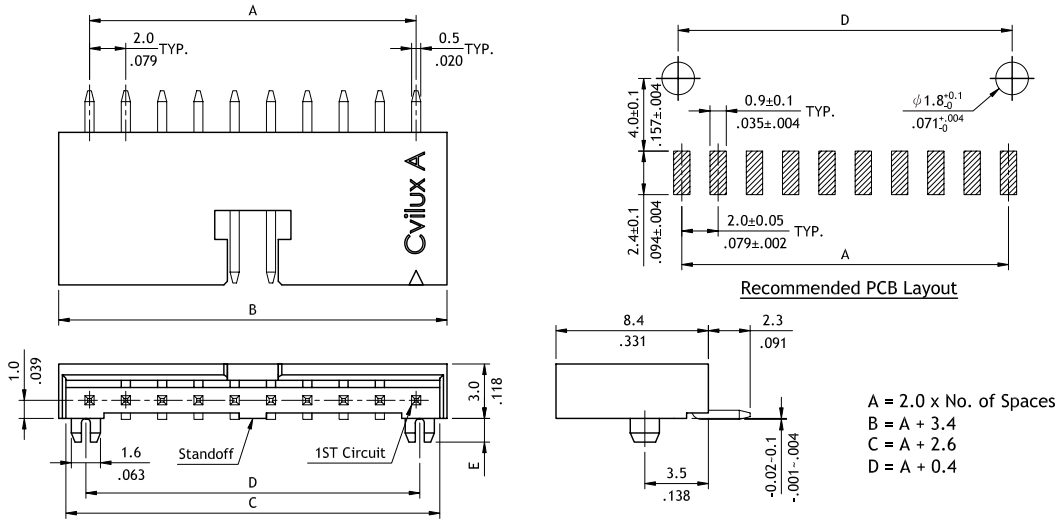
CI08 Series 2.00mm(.079") Wire to Board Connectors SMT & DIP Headers

- ⊙ 3.0mm above the board
- ⊙ Insulation: High temperature plastic UL 94V-0, Color Black
- ⊙ With metal fixed tabs to secure connector in place

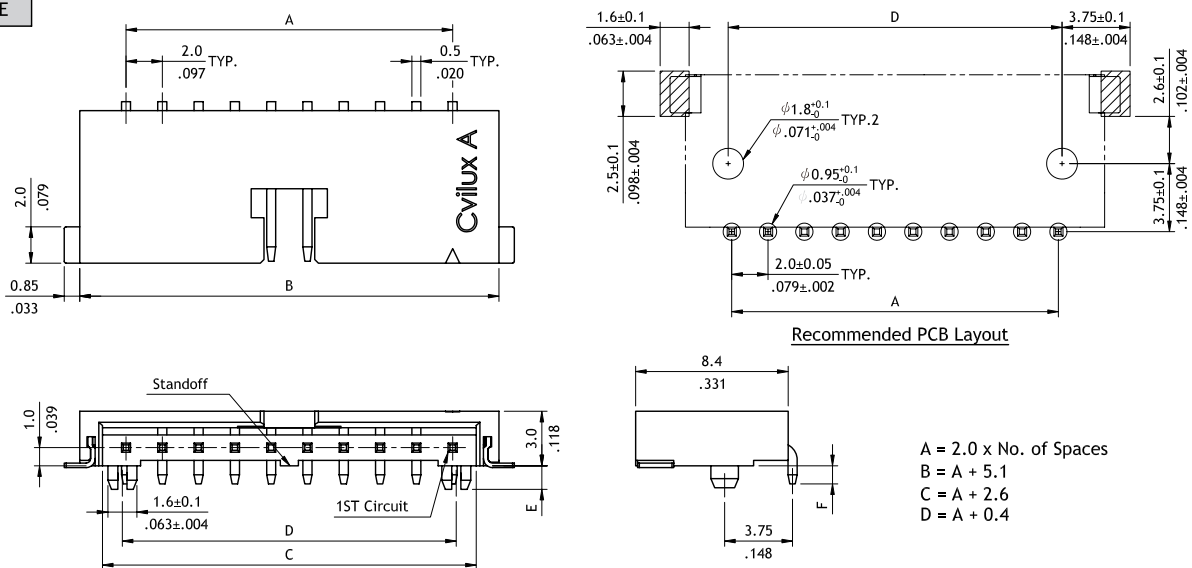
RoHS Compliant



SMT TYPE



DIP TYPE



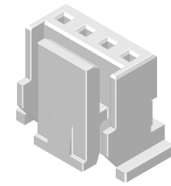
Ordering Code

① ② ③ ④ ⑤ ⑥ ⑦ ⑧
CI08 17 P 1 H R 0 - NH

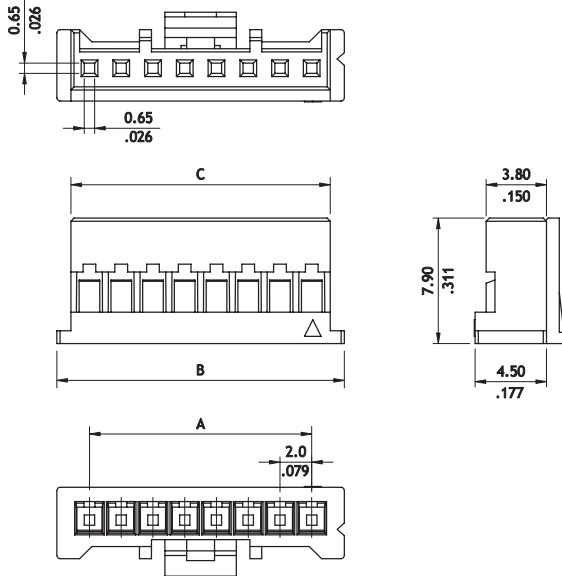
- ① Series No.
- ② No. of Circuits: 03 ~ 17
- ③ P= DIP Type
M= SMT Type
- ④ Plating Code: 1= Matte Tin over Nickel
2=Gold flash over Nickel
- ⑤ Type: H=Side Entry
- ⑥ Packing Option: R=Tape &Reel
- ⑦ Other Options :
SMT Type
0: DIM.E=0.9 1: DIM.E=1.0
DIP Type
0: DIM.E=0.9 DIM.F=1.0
1: DIM.E=0.9 DIM.F=1.2
2: DIM.E=1.3 DIM.F=1.0
4: DIM.E=1.3 DIM.F=1.2
- ⑧ NH=For Lead Free Soldering Process and Halogen-Free

CI10 Series 2.00mm(.079") Wire to Board Connectors Housing & Terminal

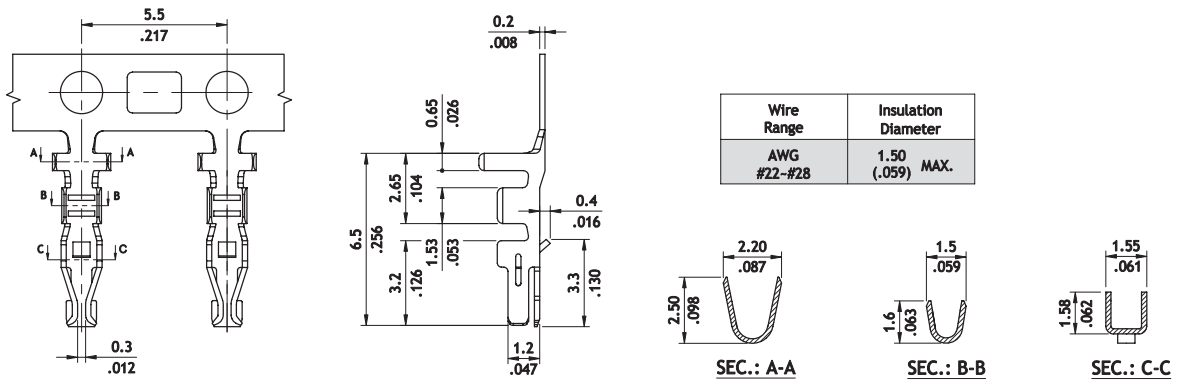
- ⊙ Low profile Housing
- ⊙ Mate with CI01 Crimp board Terminal
- ⊙ Insulator: Nylon 66 UL 94V-0, Color Nature
- ⊙ Terminal: Tin plated Copper alloy



RoHS Compliant  



Circuits No.	Dimensions		
	A	B	C
02	2.00(.079)	6.10(.240)	4.34(.171)
03	4.00(.157)	8.10(.319)	6.34(.250)
04	6.00(.236)	10.10(.398)	8.34(.328)
05	8.00(.315)	12.10(.476)	10.34(.407)
06	10.00(.394)	14.10(.555)	12.34(.486)
07	12.00(.472)	16.10(.634)	14.34(.565)
08	14.00(.551)	18.10(.713)	16.34(.643)
09	16.00(.630)	20.10(.791)	18.34(.722)
10	18.00(.709)	22.10(.870)	20.34(.801)
11	20.00(.787)	24.10(.949)	22.34(.880)
12	22.00(.866)	26.10(1.028)	24.34(.958)
13	24.00(.945)	28.10(1.106)	26.34(1.037)
14	26.00(1.024)	30.10(1.185)	28.34(1.116)
15	28.00(1.102)	32.10(1.264)	30.34(1.194)
16	30.00(1.181)	34.10(1.343)	32.34(1.273)



Ordering Code

① CI10 ② 02 ③ S ④ L00A

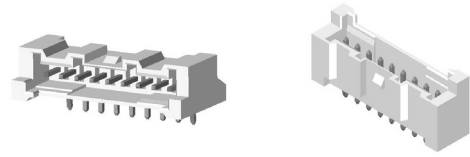
① CI10 ② T02 ③ 1 ④ P ⑤ EA

- ① Series No.
- ② No. of Circuits: 02~06 , 10 , 12 , 15 , 16
*see above table
- ③ S= Connector Housing
- ④ Other Option : L00A =Locking Latch (Standard)

- ① Series No.
- ② Type: T02 = AWG #22~#28
- ③ Plating Code: 1 = Tin over Nickel
- ④ Material : P=Phosphor Bronze
- ⑤ Option : EA = Standard

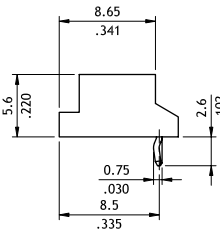
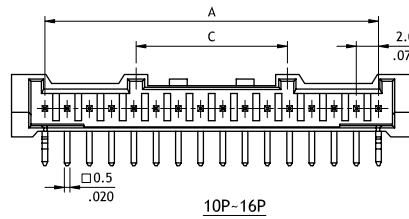
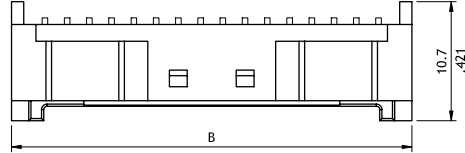
C110 Series 2.00mm(.079") Single Row Wire to Board Connectors DIP & SMT Headers

- ⊙ Low profile , Pin kinked
- ⊙ With locks provide secure mating
- ⊙ Insulator: Nylon UL 94V-0 , Color Nature
- ⊙ Termanal : Tin plated 0.5mm square pin

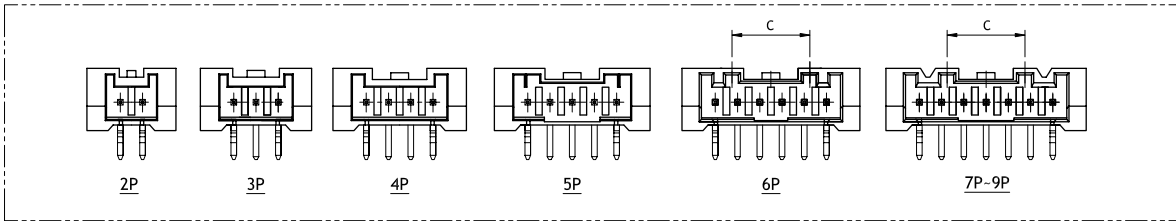


RoHS Compliant

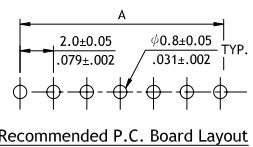
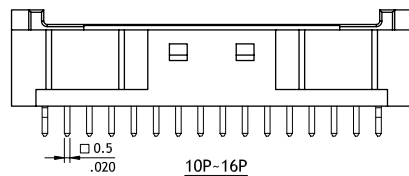
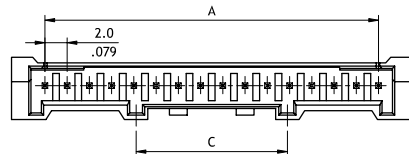
P/N C110**P*HK0



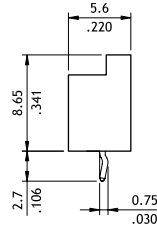
Circuits	Dimension		
	A	B	C
2	2.00(.079)	8.0(.315)
3	4.00(.157)	10.0(.394)	
4	6.00(.236)	12.0(.472)	
5	8.00(.315)	14.0(.551)	
6	10.00(.394)	16.0(.630)	
7	12.00(.472)	18.0(.709)	7.00(.276)
8	14.00(.551)	20.0(.787)	
9	16.00(.630)	22.0(.866)	13.60(.535)
10	18.00(.709)	24.0(.945)	
11	20.00(.787)	26.0(1.024)	
12	22.00(.866)	28.0(1.102)	
13	24.00(.945)	30.0(1.181)	
14	26.00(1.024)	32.0(1.260)	
15	28.00(1.102)	34.0(1.339)	
16	30.00(1.181)	36.0(1.417)	



P/N C110**P*VK0



Recommended P.C. Board Layout



Ordering Code

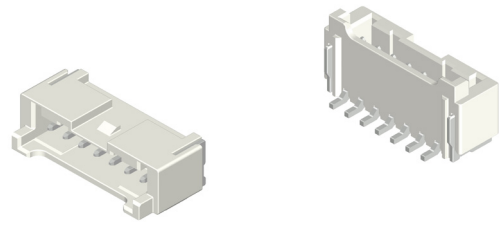
① ② ③ ④ ⑤ ⑥
C I 1 0 0 2 P 2 H K 0

- ① Series No.
- ② No. of Circuits : 02~16
- ③ Contact type: P = Pin Header

- ④ Plating Code:
 M=Matte Tin over Nickel
 2= Gold flash over Nickel
- ⑤ Type: H = Right Angle
 V = Straight type
- ⑥ Other Option : K0 = With Pin Kinked

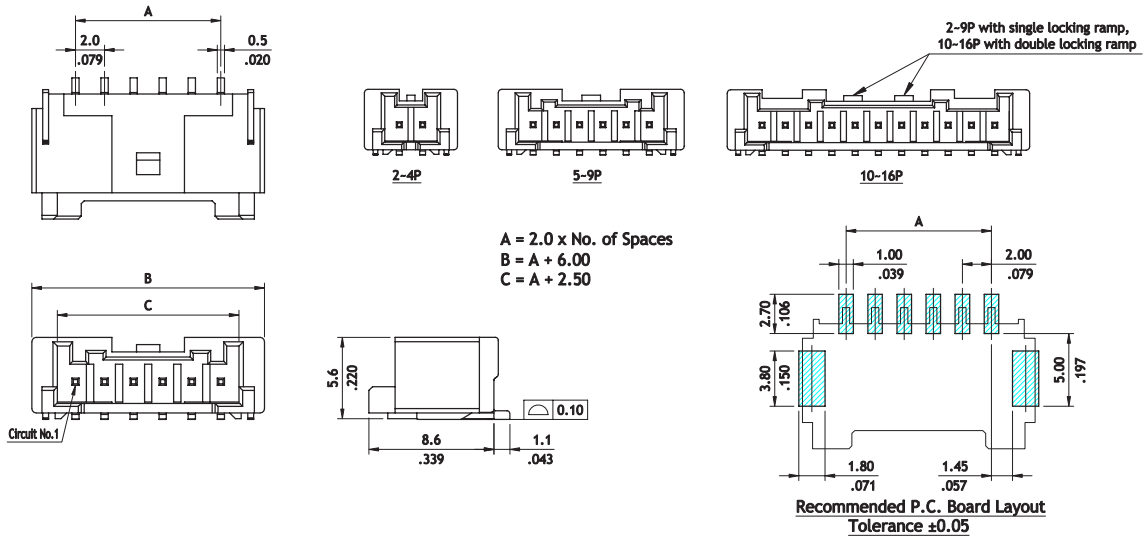
CI10 Series 2.00mm(.079") Wire to Board Connectors DIP & SMT Headers

- ⊙ With locks provide secure mating
- ⊙ Insulator: High temperature plastic UL 94V-0 , Color Nature

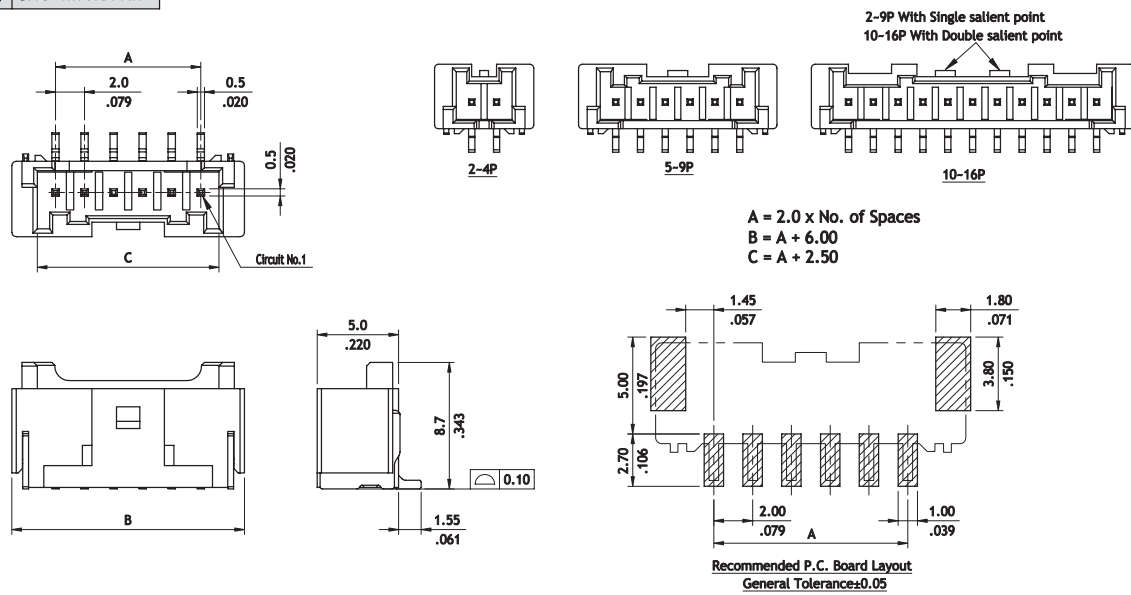


RoHS Compliant

P/N CI10**M1HRA-NH



P/N CI10**M1VRA-NH



Ordering Code

① ② ③ ④ ⑤ ⑥ ⑦ ⑧
CI10 02 M 1 H R A - NH

- ① Series No.
- ⑤ Type: H = Right Angle , V = Straight type
- ② No. of Circuits: 02~06 , 10 , 12 , 15
- ⑥ Packing Option : R = Tape & Reel
- ③ Contact type: M = SMT type header
- ⑦ Other Options:A= Without Mylar
- ④ Plating Code: 1 = Matte Tin over Nickel
- ⑧ NH = For Lead Free soldering process and Halogen-Free

CI

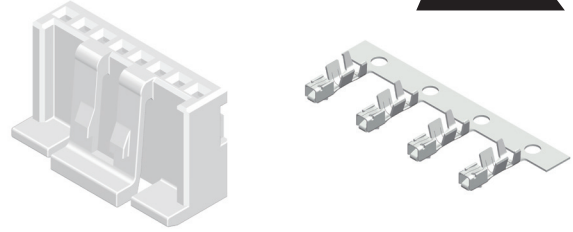
WIRE TO BOARD CONNECTORS

CIDX Series 2.00mm(.079") Single Row Wire to Board Housing & Terminal

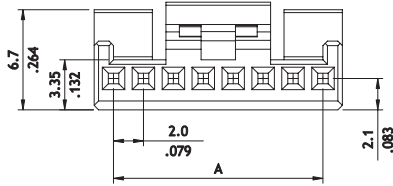
- ⊙ Low profile with locking ribs
- ⊙ Mate with CIDX header
- ⊙ Terminal accommodated AWG#20~#22
- ⊙ Insulator : Glass filled polyester UL 94V-0 , Color B
- ⊙ Terminal : Tin plated Phosphor Bronze

NEW

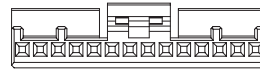
RoHS Compliant



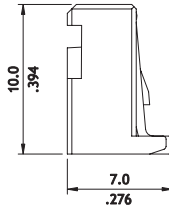
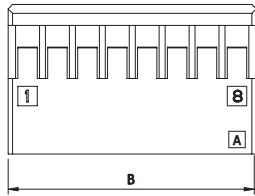
P/N: CIDX**S0010



(2PIN-4PIN)

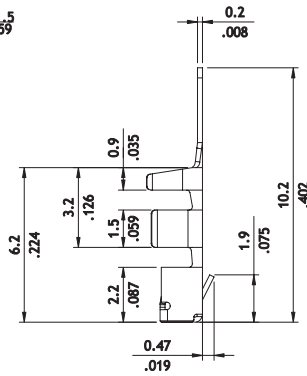
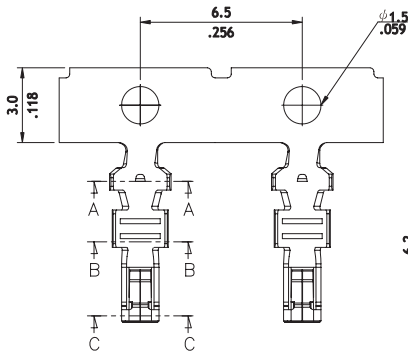


(14PIN)

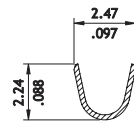


Circuits	Dimension	
	A	B
2	2.00(.079)	7.00(.276)
3	4.00(.157)	7.90(.311)
4	6.00(.236)	8.60(.339)
5	8.00(.315)	12.00(.472)
6	10.00(.394)	12.60(.496)
7	12.00(.472)	15.60(.614)
8	14.00(.551)	16.60(.654)
10	18.00(.709)	20.60(.811)
14	26.00(1.024)	28.40(1.118)

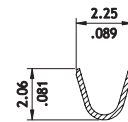
P/N: CIDXT031PP0



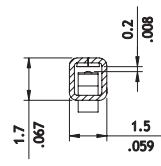
Wire Range	Insulation Diameter
AWG #20~#22	1.50 MAX. (.059)



SEC.: A-A



SEC.: B-B



SEC.: C-C

Ordering Code

① ② ③ ④
C I D X 0 2 S 0 0 1 0

- ① Series No.
- ② No. of Circuits: 02~08 , 10 , 14
- ③ S = Housing
- ④ Other Options:
0010 = Color Black

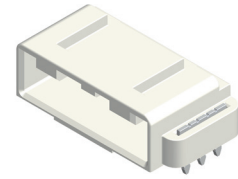
① ② ③ ④ ⑤
C I D X T 0 3 1 P P 0

- ① Series No.
- ② Type: T02 = AWG # 20 ~ # 22
- ③ Plating Code: 1 = Tin over Nickel
- ④ Material: P =Phosphor Bronze
- ⑤ Other Options: P0 = Standard

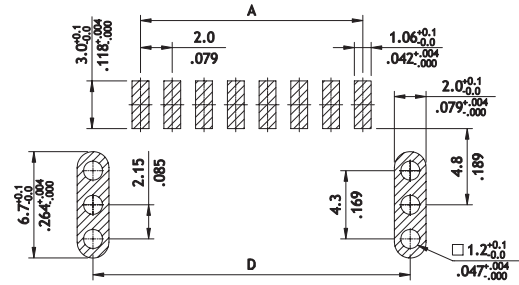
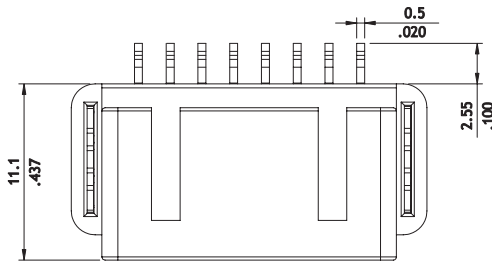
CIDX Series 2.00mm(.079") Wire to Board Connectors SMT Headers

- ⊙ With Locking Slot
- ⊙ Mate with CIDX Housing
- ⊙ Insulator : High temperature plastic UL 94V- 0 , Color Nature
- ⊙ With Tin Plated , Brass

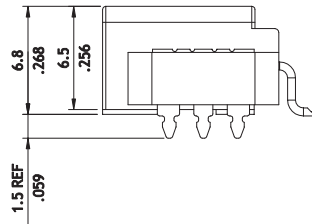
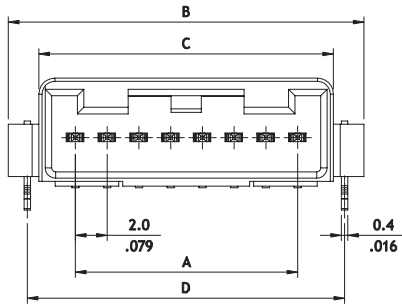
NEW



RoHS Compliant



Recommended P.C. Board Layout
General Tolerance±0.05



Circuits	Dimension			
	A	B	C	D
2	2.00(.079)	12.90(.508)	9.05(.356)	10.58(.417)
3	4.00(.157)	13.70(.539)	9.85(.388)	11.28(.444)
4	6.00(.236)	14.40(.567)	10.55(.415)	11.98(.472)
5	8.00(.315)	17.80(.701)	13.95(.549)	15.38(.606)
6	10.00(.394)	18.40(.724)	14.55(.573)	15.98(.629)
7	12.00(.472)	21.40(.843)	17.55(.691)	18.98(.747)
8	14.00(.551)	22.40(.882)	18.55(.730)	19.98(.787)
10	18.00(.709)	26.40(1.039)	22.55(.888)	23.98(.944)
14	26.00(1.024)	36.40(1.433)	30.25(1.203)	31.78(1.251)

Ordering Code

① ② ③ ④ ⑤ ⑥ ⑦
C I D X 0 2 M 1 H R 0 - L F

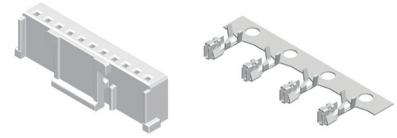
- ① Series No.
- ② No. of Circuits: 02~08 , 10 , 14
- ③ Contact type : M = SMT Type
- ④ Plating Code: 1 = Matte Tin over Nickel
- ⑤ Type: H = Right Angle
- ⑥ Other Options: R0 = Reel Packing
- ⑦ LF = For Lead Free IR Reflow Process

WIRE TO BOARD CONNECTORS

CIDY Series 2.00mm(.079") Single Row Wire to Board Housing & Terminal

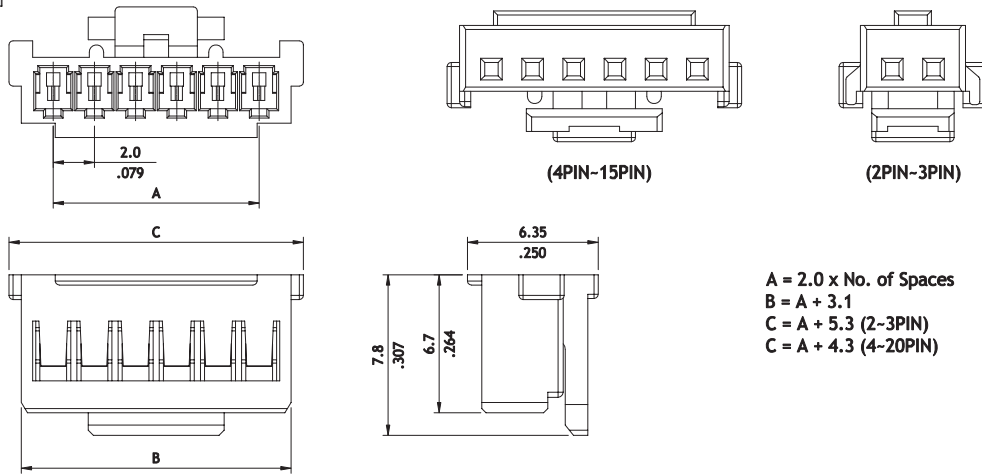
- ⊙ With locking latch provide secure mating
- ⊙ Mate with CIDY header
- ⊙ Can be used CIDY crimp clip terminal
- ⊙ Insulator : Nylon 66 UL 94V-0 , Color Nature
- ⊙ Terminal : Tin plated Phosphor Bronze

NEW



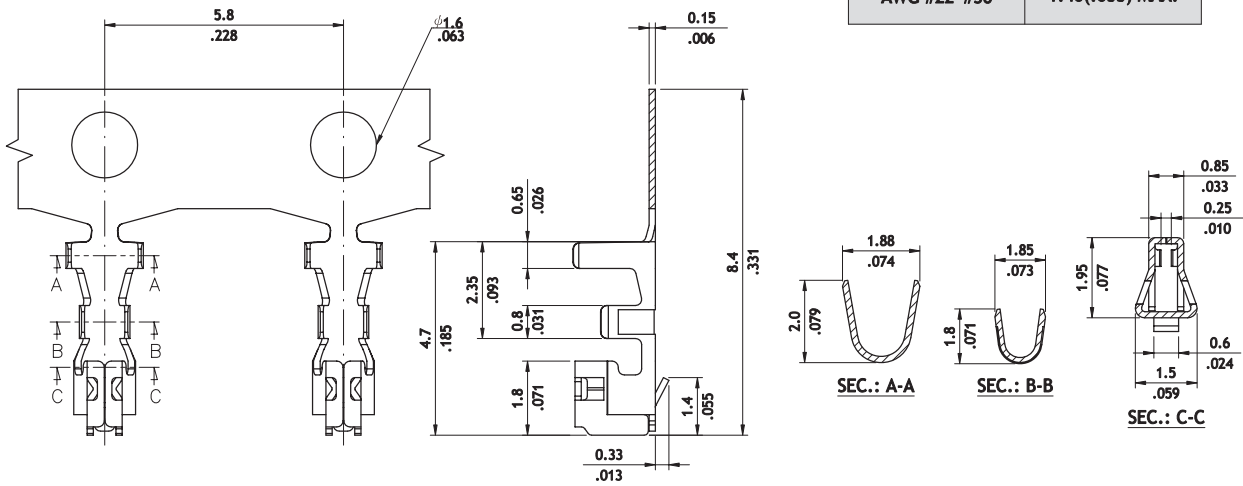
RoHS Compliant

P/N: CIDY**S0000



P/N: CIDYT021PP0

Wire Range	Insulation Diameter
AWG #22-#30	1.40(.055) MAX.



Ordering Code

① C ② I D Y ③ 02 ④ S 0000

- ① Series No.
- ② No. of Circuits: 02~15
- ③ S = Housing
- ④ Other Options: 0000 = Color Nature

① C ② I D Y ③ T 0 2 ④ 1 ⑤ P P 0

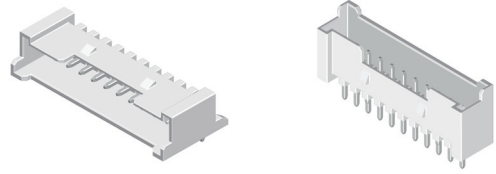
- ① Series No.
- ② Type: T02 = AWG # 22 ~ # 30
- ③ Plating Code: 1 = Tin over Nickel
- ④ Material: P =Phosphor Bronze
- ⑤ Other Options: P0 = Standard

CIDY Series 2.00mm(.079") Wire to Board Connectors DIP Headers

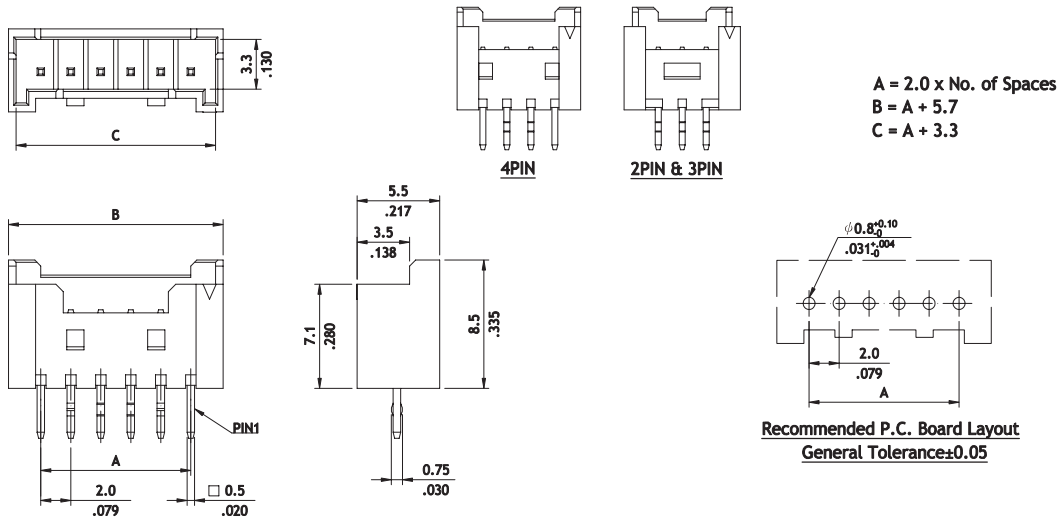
- ⊙ With locking provide secure mating
- ⊙ Mate with CIDY housing
- ⊙ Insulator : Nylon 66 UL 94V-0 , Color Nature
- ⊙ With Tin : plated 0.5 square pin

NEW

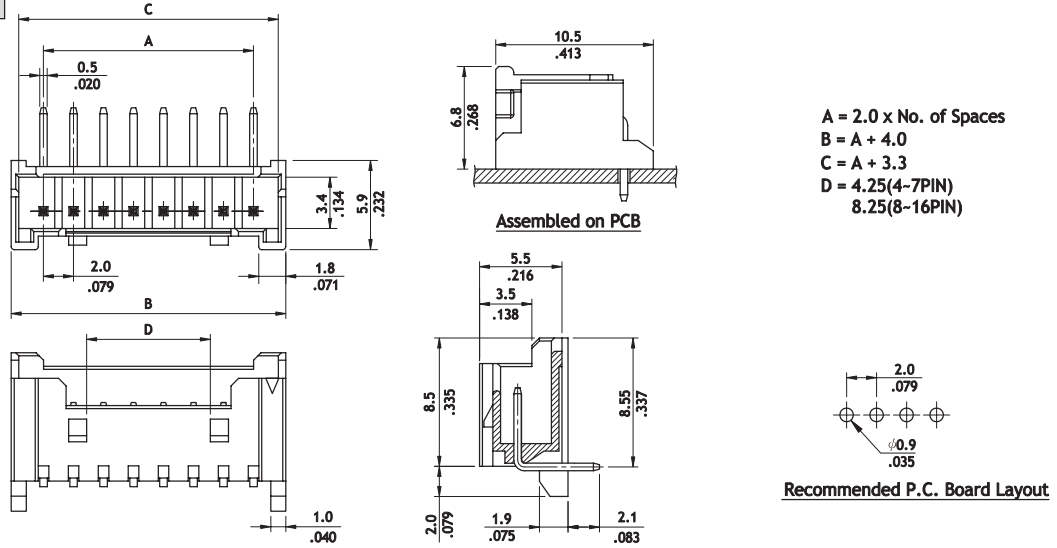
RoHS Compliant



P/N: CIDY**P1VK0



P/N: CIDY**P1H00



Ordering Code

① ② ③ ④ ⑤ ⑥
CIDY 15 P 1 V K0

① ② ③ ④ ⑤ ⑥
CIDY 15 P 1 H 00

- ① Series No.
- ② No. of Circuits: 02~15
- ③ P = Pin Header
- ④ Plating Code : 1 = Tin over Nickel
- ⑤ Type: V = Straight
- ⑥ Other Option : K0 = With pin kinked

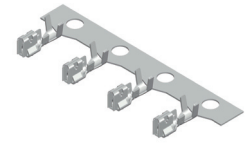
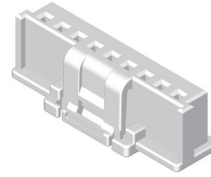
- ① Series No.
- ② No. of Circuits: 02~15
- ③ P = Pin Header
- ④ Plating Code : 1 = Tin over Nickel
- ⑤ Type: H = Right angle
- ⑥ Other Option : 00= Standard

CID9 Series 2.00 mm(.079") Single Row Wire to Board Housing & Terminal

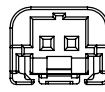
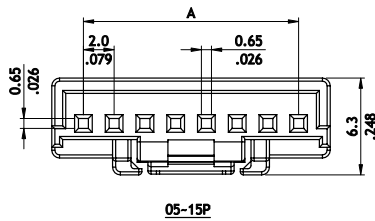
- ⊙ Mate with CID9 Housing
- ⊙ Can be used with CID9 Crimp Terminal
- ⊙ Insulator : Nylon 66 UL 94V-0 , Color Nature
- ⊙ Tin Plated Phosphor Bronze

NEW

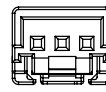
RoHS Compliant



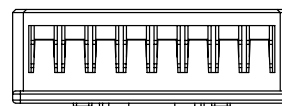
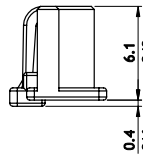
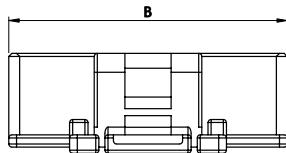
P/N: CID9SL00A**



2P

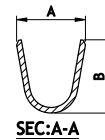
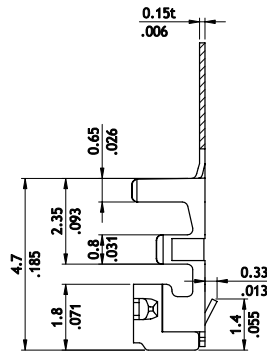
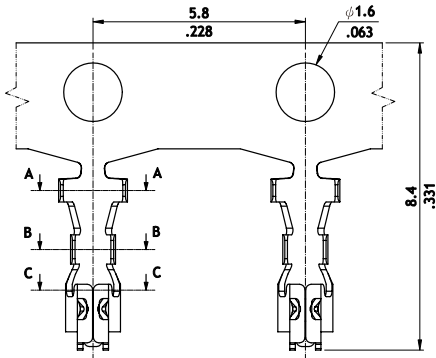


3P,4P

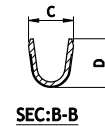


Circuits	Dimension	
	A	B
2	2.00 (.079)	8.00 (.315)
3	4.00 (.157)	8.10 (.319)
4	6.00 (.236)	10.10 (.398)
5	8.00 (.315)	12.10 (.476)
6	10.00 (.394)	14.10 (.555)
7	12.00 (.472)	16.10 (.634)
8	14.00 (.551)	18.10 (.713)
9	16.00 (.630)	20.10 (.791)
10	18.00 (.709)	22.10 (.870)
11	20.00 (.787)	24.10 (.949)
12	22.00 (.866)	26.10 (1.028)
13	24.00 (.945)	28.10 (1.106)
14	26.00 (1.024)	30.10 (1.185)
15	28.00 (1.102)	32.10 (1.264)

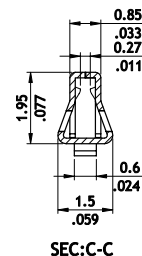
P/N: CID9T0*1PP0



SEC:A-A



SEC:B-B



SEC:C-C

Part No.	Wire Gauge	Dimension				Insulation Range
		A	B	C	D	
CID1T021PP0	AWG #20~22	1.88(.074)	2.00(0.79)	1.85(.073)	1.80(.071)	1.45(.057) Max.
CID1T081PP0	AWG #24~26	1.88(.074)	2.00(0.79)	1.23(.048)	1.33(.052)	1.40(.055) Max.

Ordering Code

① C ② ID9 ③ 04 ④ S ⑤ L ⑥ 00A

① C ② ID9 ③ T02 ④ 1 ⑤ P ⑥ P 0

- ① Series No.
- ② No. of Circuits: 02~15
- ③ S = Female
- ④ L = With Locking Latch
- ⑤ Option : 00A = Standard (Color Nature)

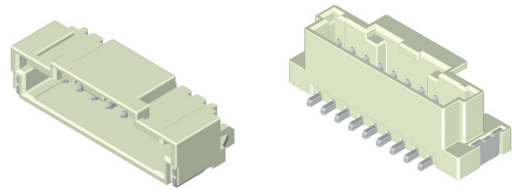
- ① Series No.
- ② Type : T02 = AWG #20~#22
T08 = AWG#24~#26
- ③ Plating Code: 1 = Tin over Nickel
- ④ Material : P = Phosphor Bronze
- ⑤ Plating method : P = Post Plating
- ⑥ Option : 0 = Standard

CID9 Series 2.00 mm(.079") Single Row Wire to Board SMT Headers

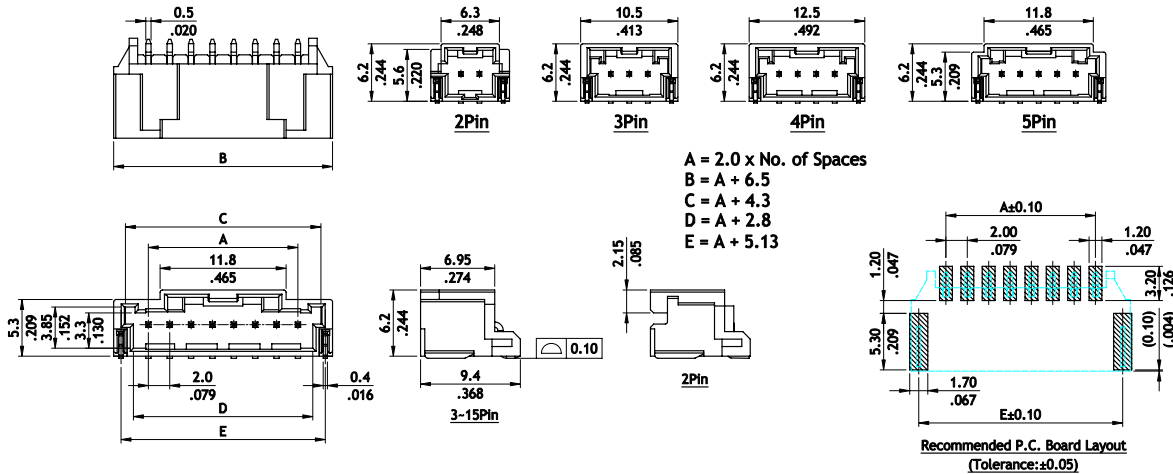
- ☉ Mate with CID9 Housing
- ☉ Insulator : High temperature plastic UL 94V-0 , Color Nature



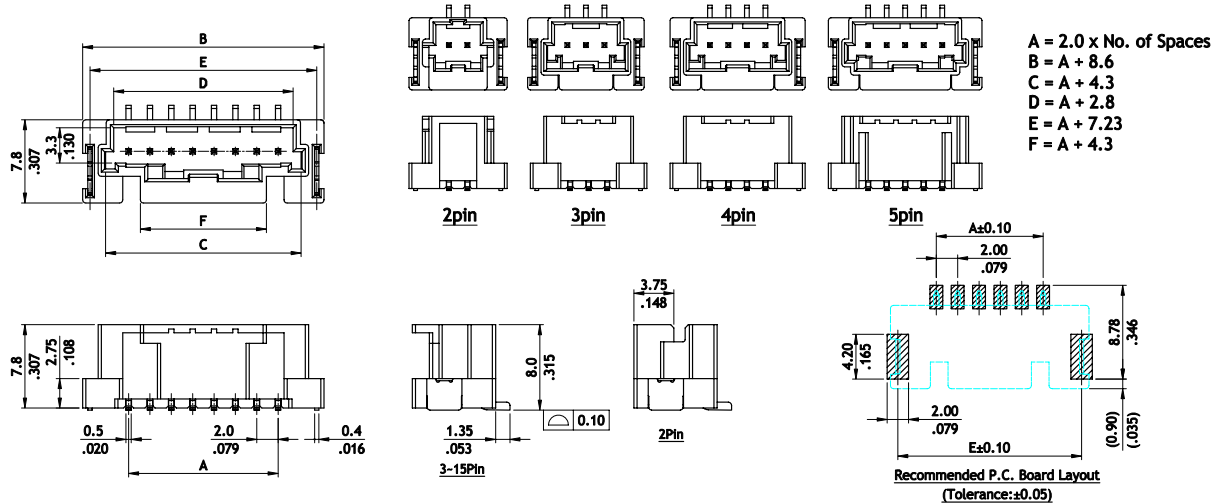
RoHS Compliant



P/N: CID9**M1HR0-LF



P/N: CID9**M1VR0-LF



Ordering Code

① ② ③ ④ ⑤ ⑥ ⑦
C I D 9 0 2 M 1 H R 0 - L F

- ① Series No.
- ② No. of Circuits: 02~15
- ③ Contact type: M= SMT Type
- ④ Plating Options:
1= Tin over Nickel
- ⑤ Tail style: Type : H= Right Angle
- ⑥ Option: R0= Standard
- ⑦ LF = For Lead Free soldering process

① ② ③ ④ ⑤ ⑥ ⑦
C I D 9 0 2 M 1 V R 0 - L F

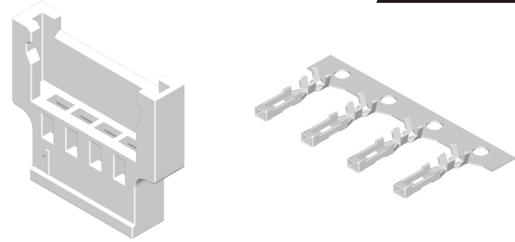
- ① Series No.
- ② No. of Circuits: 02~15
- ③ Contact type: M= SMT Type
- ④ Plating Options:
1= Tin over Nickel
- ⑤ Tail style: Type : V= Staight
- ⑥ Option: R0= Standard
- ⑦ LF = For Lead Free soldering process

CIEG Series 2.00 mm(.079") Single Row Wire to Wire Housing & Terminal

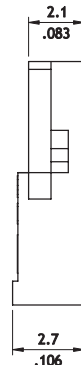
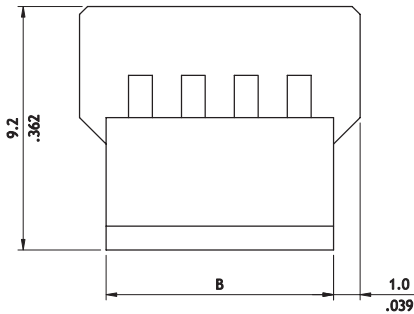
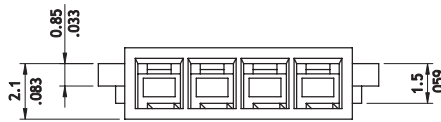
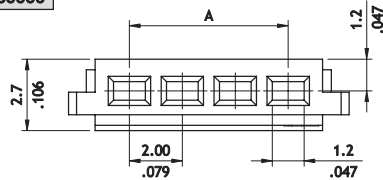
- ⊙ Low profile Housing
- ⊙ Insulator : Nylon UL 94 V-0 , Color Nature
- ⊙ Terminal : Tin plated Phosphor Bronze

NEW

RoHS Compliant

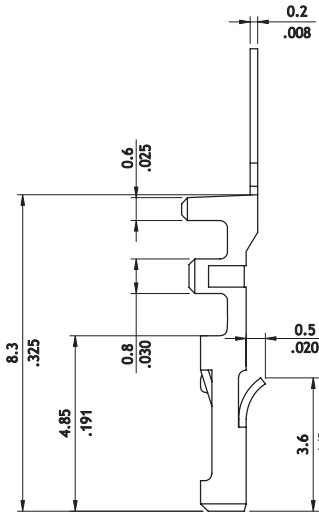
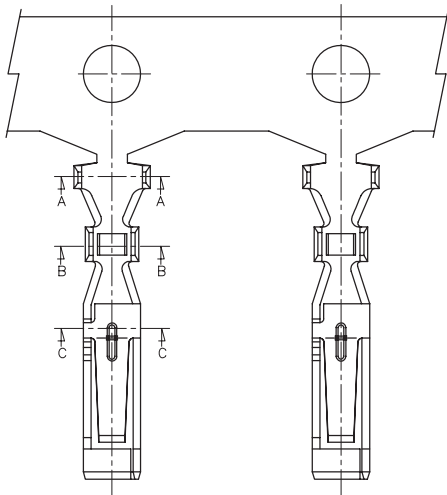


P/N: CIEG**S0000

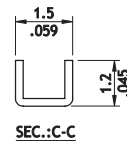
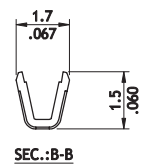
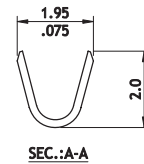


A = 2.0 x No. of Spaces
B = A + 2.6

P/N: CIEGT011PPS



Wire Range	Insulation Diameter	Reel Q'ty
AWG #24-#28	1.15 (.045) MAX.	10,000 PCS.



Ordering Code

① C I E G ② 0 4 ③ S ④ 0 0 0 0

① C I E G ② T 0 1 ③ 1 ④ P ⑤ P S

- ① Series No.
- ② No. of Circuits: 02 ~ 11, 13
- ③ S = Receptacle
- ④ Option: 0000 = Standard

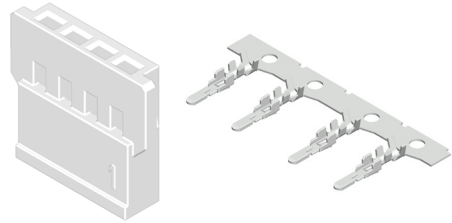
- ① Series No.
- ② No. of Circuits:
- ③ Plating Code: 1 = Matte Tin over Nickel
- ④ Material : P = Phosphor Bronze
- ⑤ Option : PS = Receptacle

CIEG Series 2.00 mm(.079") Single Row Wire to Wire Housing & Terminal

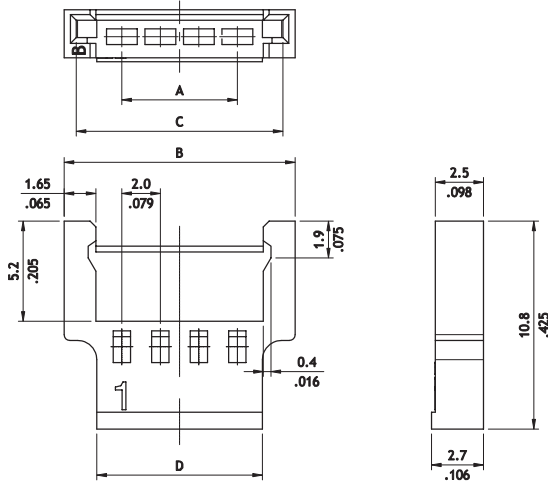
- ⊙ Low profile Housing
- ⊙ Insulator : Nylon UL 94 V-0 , Color Nature
- ⊙ Terminal : Tin plated Phosphor Bronze

NEW

RoHS Compliant

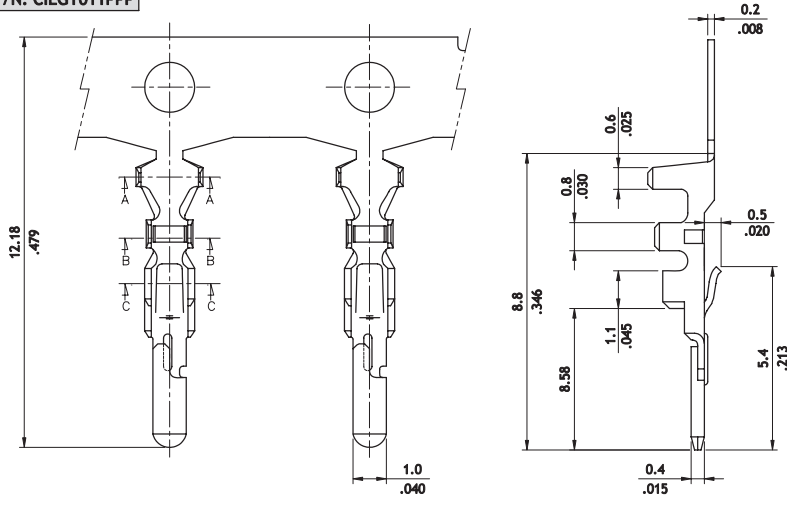


P/N: CIEG**P0000

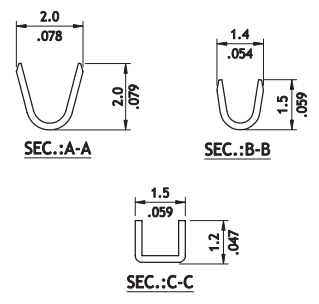


A = 2.0 x No. of Spaces
 B = A + 6.0
 C = A + 4.74
 D = A + 2.6

P/N: CIEGT011PPP



Wire Range	Insulation Diameter	Reel Q'ty
AWG #24-#28	1.15 (.045) MAX.	10,000 PCS.



Ordering Code

① C I E G ② 04 ③ P ④ 0000

① C I E G ② T01 ③ 1 ④ P ⑤ PP

- ① Series No.
- ② No. of Circuits : 02~11 , 13
- ③ P = Plug
- ④ Color option: 0000 = Standard

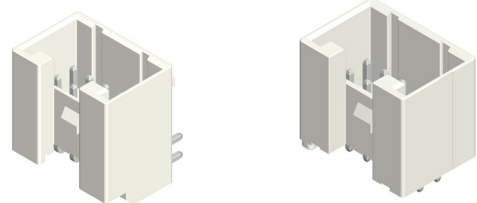
- ① Series No.
- ② Type : T01 = AWG #24 ~#28
- ③ Plating Code: 1 = Matte Tin over Nickel
- ④ Material : P = Phosphor Bronze
- ⑤ PP = Plug

CIE4 Series 2.00 mm(.079") Dual Row Wire to Board DIP Headers

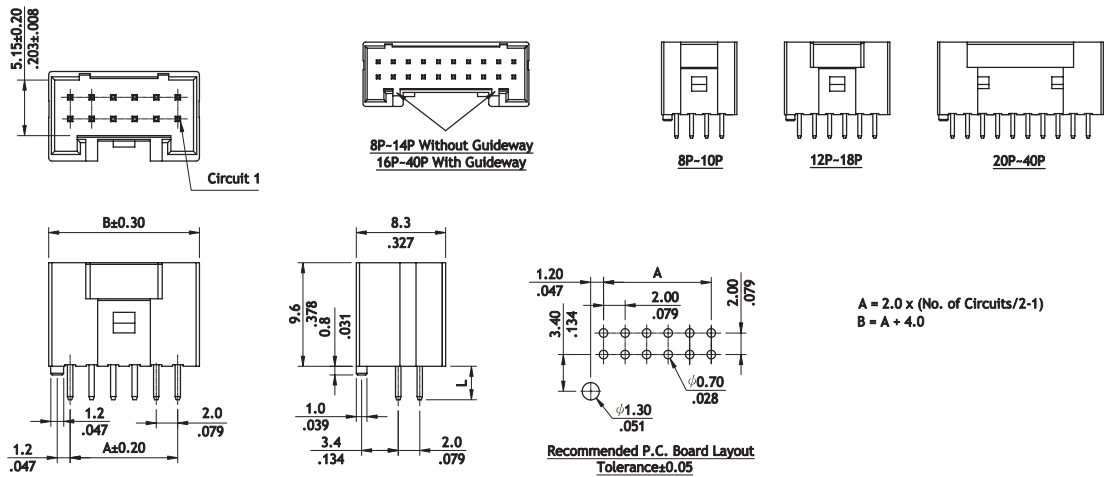
- ⊙ Mate with CIE4 Housing
- ⊙ With lock latch provide mating
- ⊙ Insulator : High temperature plastic UL 94V-0 , Color Nature

NEW

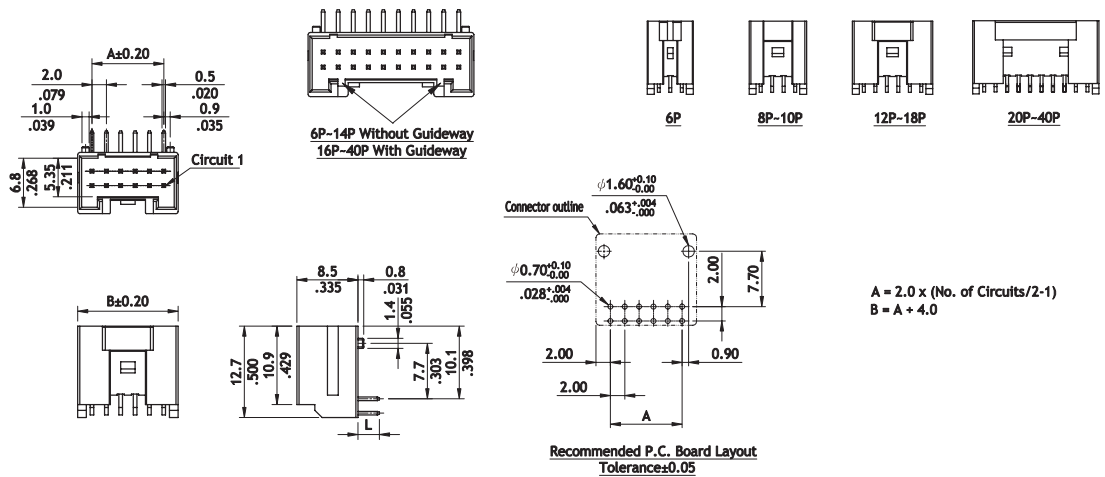
RoHS Compliant



P/N: CIE4P1VD*-LF**



P/N: CIE4P1HD*-LF**



Ordering Code

① ② ③ ④ ⑤ ⑥ ⑦ ⑧
C I E 4 0 8 P 1 V D 0 - L F

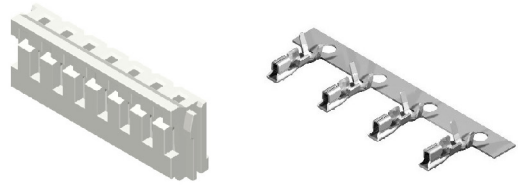
- ① Series No.
- ② No. of Circuits : 8~40
- ③ Contact type: P = Pin Header
- ④ Plating Options:
1= Matte Tin over Nickel
- ⑤ Type : V= Straight
- ⑥ Other option: D = Dual Row
- ⑦ Solder tail length : 0 = Dim L: 2.20mm
1 = Dim L : 3.10mm
2 = Dim L : 3.50mm
- ⑧ LF= For Lead Free Wave Flow Process

① ② ③ ④ ⑤ ⑥ ⑦ ⑧
C I E 4 0 8 P 1 H D 0 - L F

- ① Series No.
- ② No. of Circuits : 6 ~ 40
- ③ Contact type: P = Pin Header
- ④ Plating Options:1= Matte Tin over Nickel
- ⑤ Type : H =Right Angle
- ⑥ Other option: D = Dual Row
- ⑦ Solder tail length : 0 = Dim L: 2.20 mm
1 = Dim L : 3.10 mm
2 = Dim L : 3.50 mm
- ⑧ LF= For Lead Free Wave Flow Process

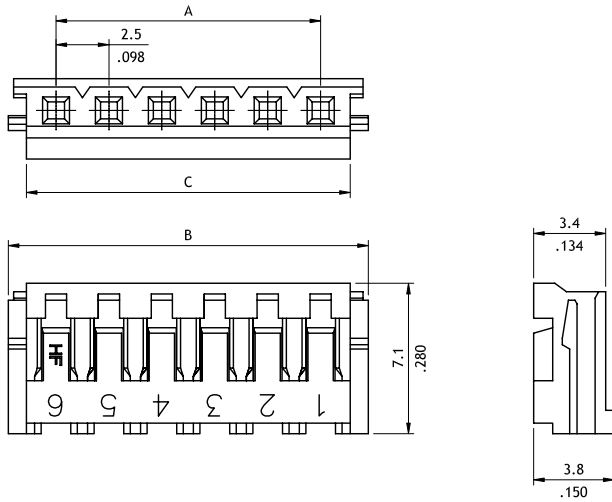
CI21 Series 2.50mm(.098") Wire to Board Connectors Housing & Terminal

- ⊙ Low profile with locking ribs
- ⊙ Mate with CI21 header
- ⊙ Can be used with CI21 crimp clip terminal
- ⊙ Insulator: Nylon 66 UL 94V-0 , Color Nature
- ⊙ Terminal: Tin plated Phosphor Bronze

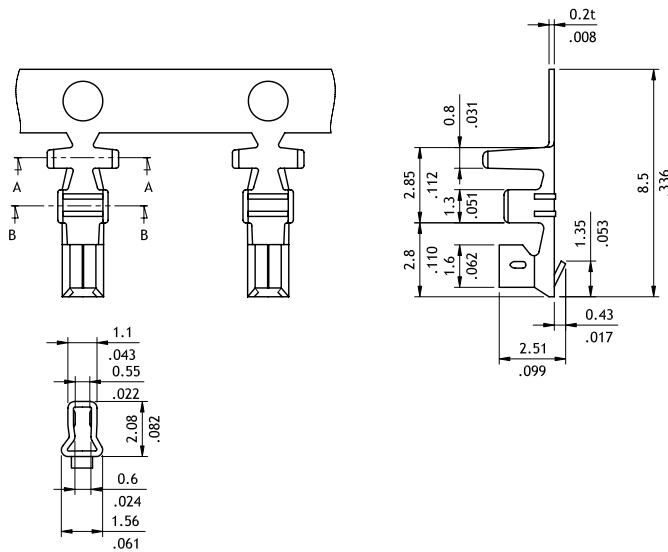


RoHS Compliant  

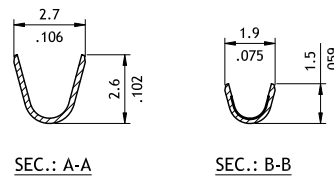
CI



Circuits	Dimension		
	A	B	C
2	2.5(.098)	7.0(.276)	5.4(.213)
3	5.0(.197)	9.5(.374)	7.9(.311)
4	7.5(.295)	12.0(.472)	10.4(.409)
5	10.0(.394)	14.5(.571)	12.9(.508)
6	12.5(.492)	17.0(.669)	15.4(.606)
7	15.0(.591)	19.5(.768)	17.9(.705)
8	17.5(.689)	22.0(.866)	20.4(.803)
9	20.0(.787)	24.5(.965)	22.9(.902)
10	22.5(.886)	27.0(1.063)	25.4(1.000)
11	25.0(.984)	29.5(1.161)	27.9(1.098)
12	27.5(1.083)	32.0(1.260)	30.4(1.197)
13	30.0(1.181)	34.5(1.358)	32.9(1.295)
14	32.5(1.280)	37.0(1.457)	35.4(1.394)
15	35.0(1.378)	39.5(1.555)	37.9(1.492)



Wire Range	Insulation Diameter	Reel Qty
AWG #24-#30	1.9 (.075) MAX.	10,000 PCS.



WIRE TO BOARD CONNECTORS

Ordering Code

① CI21 ② 15 ③ S ④ 0000

① CI21 ② T02 ③ 1 ④ P ⑤ E0

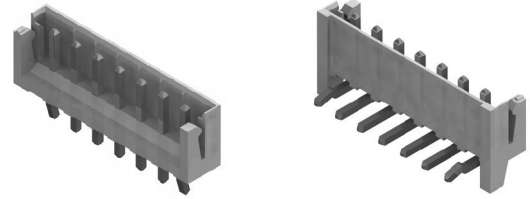
- ① Series No.
- ② No. of Circuits: 02 ~15
- ③ S = Housing
- ④ Other Options: 0000 = Standard
*Special options consult manufacturer

- ① Series No.
- ② Type: T02 = AWG #24 ~ #30
- ③ Plating Code: 1 = Tin over Nickel
- ④ Material: P = Phosphor Bronze
- ⑤ Other Options: E0 = Standard

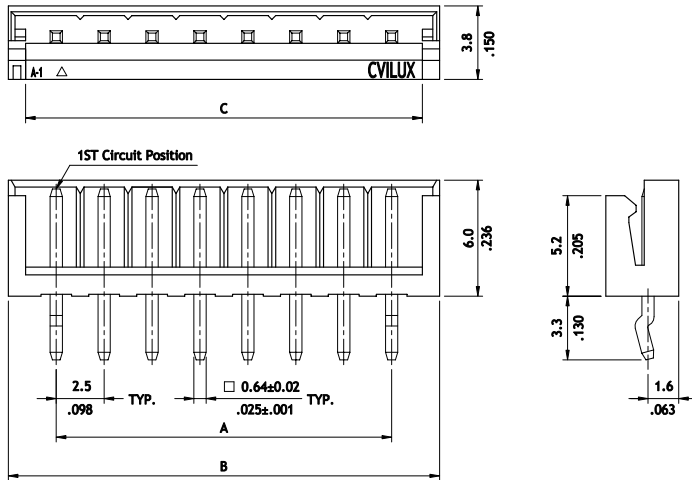
CI21 Series 2.50mm(.098") Wire to Board Connectors DIP Headers

- ⊙ With locking slots and Pin kinked
- ⊙ Mate with CI21 Housing
- ⊙ Insulator: High temperature plastic UL 94V-0, Color Nat
- ⊙ With Tin plated 0.64mm square pin

RoHS Compliant

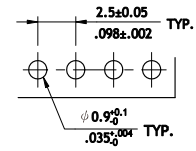
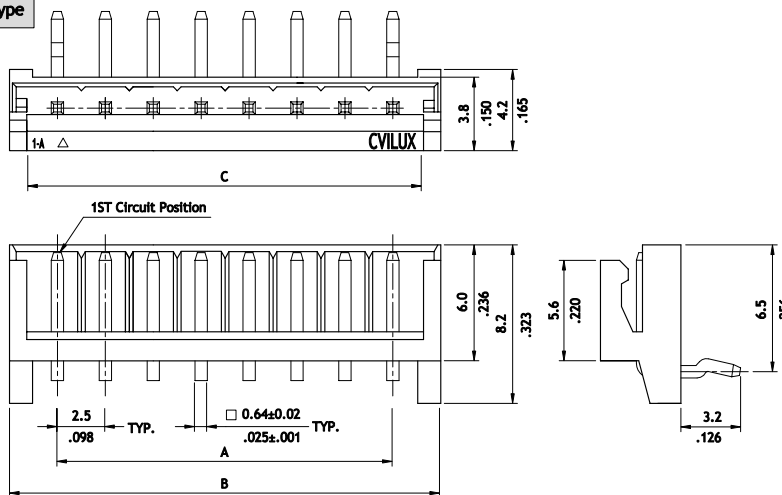


Straight Type



Circuits	Dimension		
	A	B	C
2	2.5(.098)	7.5(.295)	5.7(.224)
3	5.0(.197)	10.0(.394)	8.2(.323)
4	7.5(.295)	12.5(.492)	10.7(.421)
5	10.0(.394)	15.0(.591)	13.2(.520)
6	12.5(.492)	17.5(.689)	15.7(.618)
7	15.0(.591)	20.0(.787)	18.2(.717)
8	17.5(.689)	22.5(.886)	20.7(.815)
9	20.0(.787)	25.0(.984)	23.2(.913)
10	22.5(.886)	27.5(1.083)	25.7(1.012)
11	25.0(.984)	30.0(1.181)	28.2(1.110)
12	27.5(1.083)	32.5(1.280)	30.7(1.209)
13	30.0(1.181)	35.0(1.378)	33.2(1.307)
14	32.5(1.280)	37.5(1.476)	35.7(1.406)
15	35.0(1.378)	40.0(1.575)	38.2(1.504)

Right angle Type



Recommended P.C. Board Layout

Ordering Code

①
②
③
④
⑤
⑥
⑦

C
I
2
1
5
P
1
V
K
0
-
N
H

① Series No.

② No. of Circuits: 02 ~ 15

③ P = DIP Type

④ Plating Code: 1 = Matte Tin over Nickel

⑤ Type : V = Straight
H = Right Angle

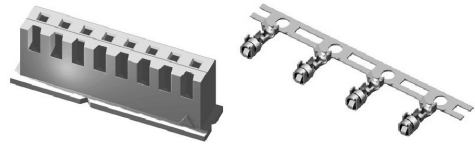
⑥ Other Options: 00 = Without Pin Kinked
K0 = With Pin Kinked (Standard)

⑦ NH = For Lead Free soldering process and Halogen-Free

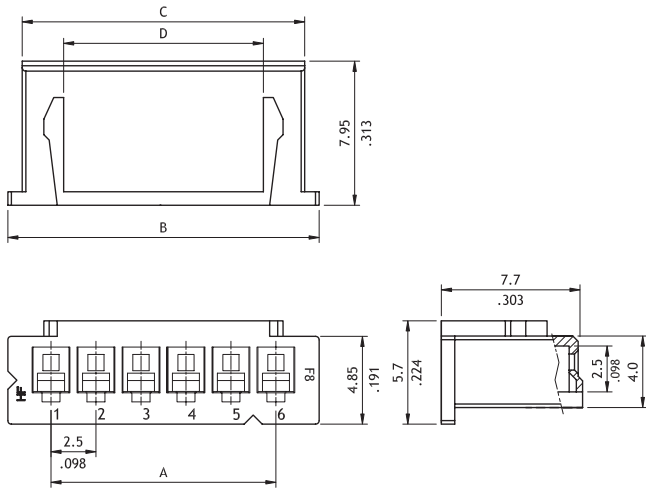
*Special options consult manufacturer

CI22 Series 2.50mm(.098") Wire to Board Connectors Housing & Terminal

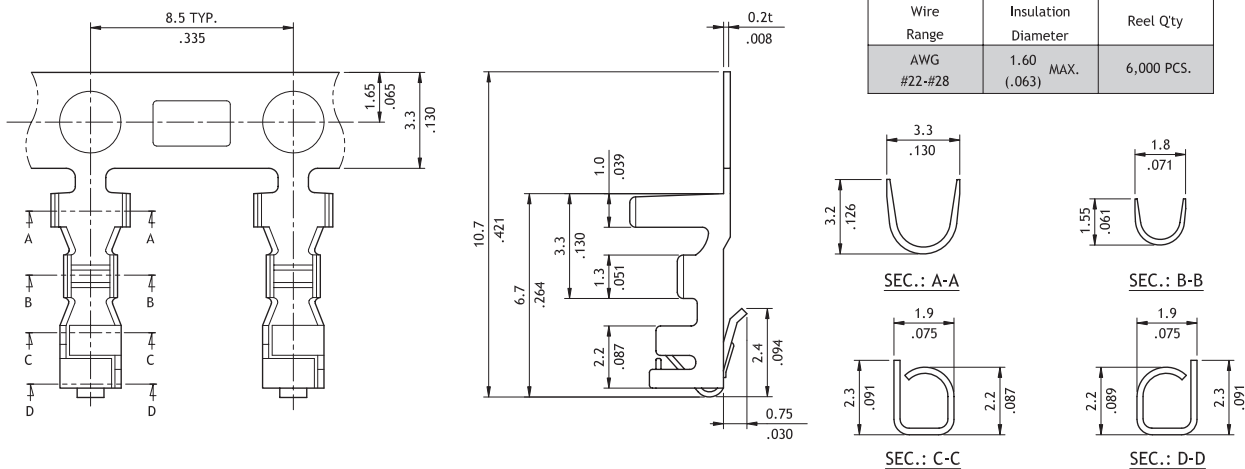
- ⊙ Low profile with locking ribs
- ⊙ Mate with CI22 Header
- ⊙ Can be used with CI22 crimp clip terminal
- ⊙ Insulator: Nylon 66 UL 94V-0, Color Nature
- ⊙ Terminal: Tin plated Brass or Phosphor Bronze



RoHS Compliant



Circuits	Dimension			
	A	B	C	D
2	2.5(.098)	7.3(.287)	5.7(.224)	1.0(.039)
3	5.0(.197)	9.8(.386)	8.2(.323)	3.5(.138)
4	7.5(.295)	12.3(.484)	10.7(.421)	6.0(.236)
5	10.0(.394)	14.8(.583)	13.2(.520)	8.5(.335)
6	12.5(.492)	17.3(.681)	15.7(.618)	11.0(.433)
7	15.0(.591)	19.8(.780)	18.2(.717)	13.5(.531)
8	17.5(.689)	22.3(.878)	20.7(.815)	16.0(.630)
9	20.0(.787)	24.8(.976)	23.2(.913)	18.5(.728)
10	22.5(.886)	27.3(1.075)	25.7(1.012)	21.0(.827)
11	25.0(.984)	29.8(1.173)	28.2(1.110)	23.5(.925)
12	27.5(1.083)	32.3(1.272)	30.7(1.209)	26.0(1.024)
13	30.0(1.181)	34.8(1.370)	33.2(1.307)	28.5(1.122)
14	32.5(1.280)	37.3(1.469)	35.7(1.406)	31.0(1.220)
15	35.0(1.378)	39.8(1.567)	38.2(1.504)	33.5(1.319)
16	37.5(1.476)	42.3(1.665)	40.7(1.602)	36.0(1.417)



Ordering Code

① C I 22 ② 1 5 ③ S ④ 0 0 0 0

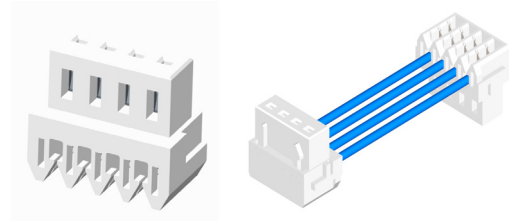
- ① Series No.
- ② No. of Circuits: 02 ~ 16
- ③ S = Housing
- ④ Other Options: 0000 = Standard

① C I 22 ② T 0 2 ③ 1 ④ P ⑤ E 0

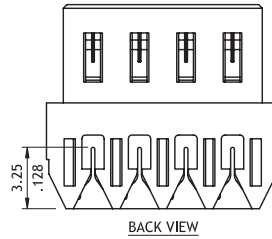
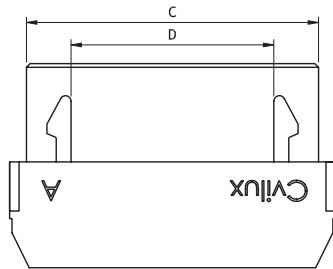
- ① Series No.
- ② Type : T02 = AWG #22~#28
- ③ Plating: 1= Tin over Nickel
- ④ Material : P=Phosphor Bronze
B =Brass
- ⑤ Other options: E0=Standard

CI22 Series 2.50mm(.098") Wire to Board IDC Connectors Housing & IDC Cable

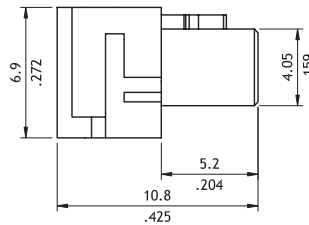
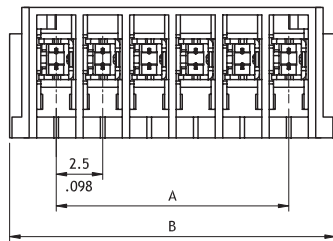
- ⊙ Low profile with locking ribs
- ⊙ Mate with CI22 Header
- ⊙ Insulator: Nylon 66 UL 94V-0, Color Nature
- ⊙ Terminal: Tin plated Phosphor Bronze



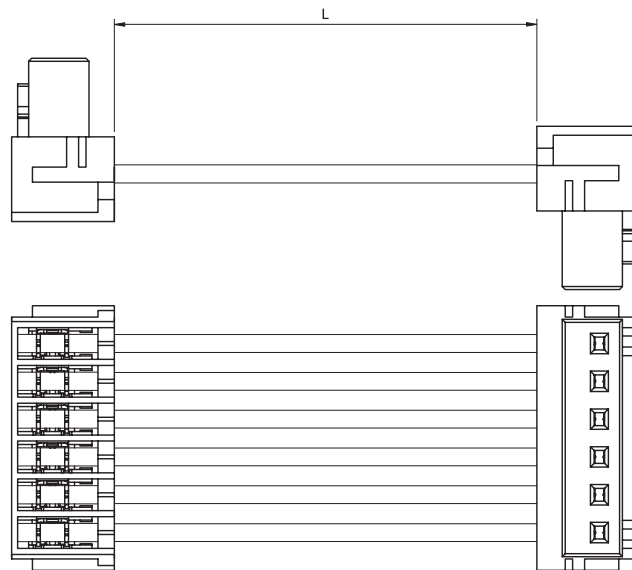
P/N CI22**S1000-NH



Wire Range	Insulation Diameter
AWG #24,#28	1.5 (.059) MAX.



A = 2.5 x No. of Spaces
 B = A + 2.5
 C = A + 3.2
 D = A - 1.6



Ordering Code

① C ② I ③ 2 ④ 2 ⑤ 1 ⑥ S ⑦ 1 ⑧ 0 ⑨ 0 ⑩ 0 - NH

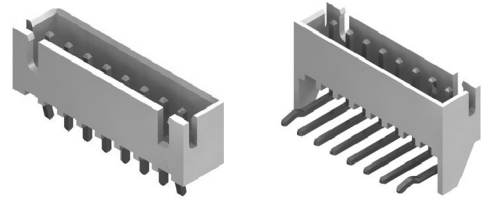
- ① Series No.
- ② No. of Circuits: 02 ~ 15
- ③ S = Housing
- ④ Plating Code:
1 = Matte Tin over Nickel
- ⑤ 0 = For AWG 28 , 1 = For AWG 24
- ⑥ Other Options: 00 = Standard
- ⑦ NH = For Lead Free and Halogen-Free

① QH ② - I ③ 2 ④ 0 ⑤ 6 ⑥ 0 ⑦ 1 ⑧ 0 ⑨ 0 ⑩ 0 ⑪ 0

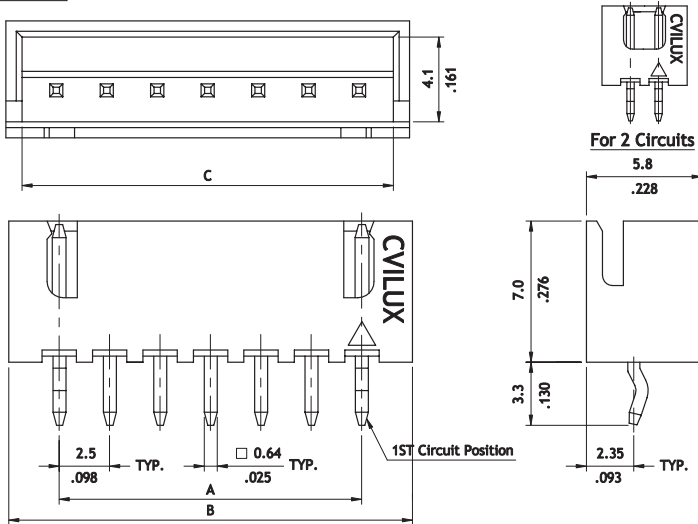
- ① Series No.
- ② No. of Circuits: 2~15
- ③ L =Length : 40~1000 mm(0100=100 mm)
- ④ Wire Color : 00 = All pin counts of White Color
01 =All pin counts of Black Color
02 =All pin counts of Brown Color
- ⑤ Other Options: 0 = Standard

CI22 Series 2.50mm(.098") Wire to Board Connectors DIP Headers

- ⊙ With locking slot and Pin Kinked
- ⊙ Mate with CI22 housing
- ⊙ Insulator: High temperature plastic UL 94V-0 , Color Nature
- ⊙ With Tin plated 0.64mm square pin

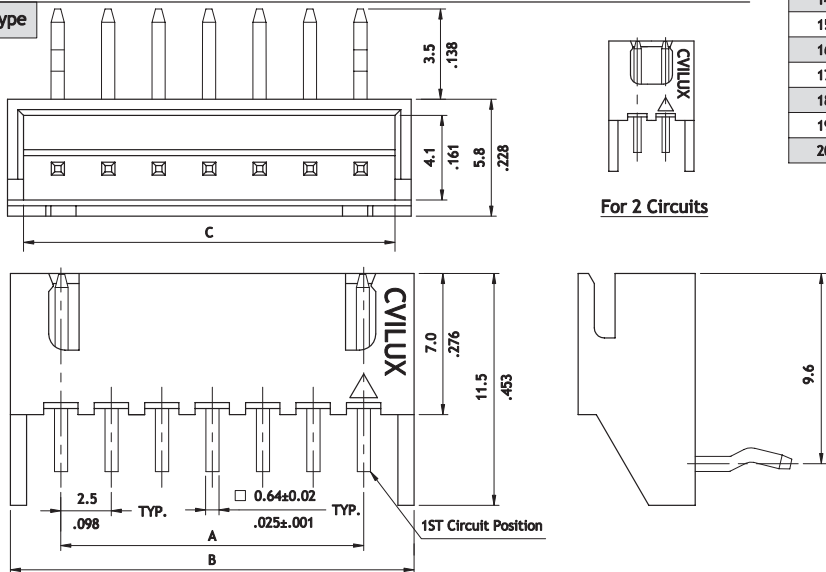


Straight Type



Circuits	Dimension		
	A	B	C
2	2.5(.098)	7.5(.295)	6.0(.236)
3	5.0(.197)	10.0(.394)	8.5(.335)
4	7.5(.295)	12.5(.492)	11.0(.433)
5	10.0(.394)	15.0(.591)	13.5(.531)
6	12.5(.492)	17.5(.689)	16.0(.630)
7	15.0(.591)	20.0(.787)	18.5(.728)
8	17.5(.689)	22.5(.886)	21.0(.827)
9	20.0(.787)	25.0(.984)	23.5(.925)
10	22.5(.886)	27.5(1.083)	26.0(1.024)
11	25.0(.984)	30.0(1.181)	28.5(1.122)
12	27.5(1.083)	32.5(1.280)	31.0(1.220)
13	30.0(1.181)	35.0(1.378)	33.5(1.319)
14	32.5(1.280)	37.5(1.476)	36.0(1.417)
15	35.0(1.378)	40.0(1.575)	38.5(1.516)
16	37.5(1.476)	42.5(1.673)	41.0(1.614)
17	40.0(1.575)	45.0(1.772)	43.5(1.713)
18	42.5(1.673)	47.5(1.870)	46.0(1.811)
19	45.0(1.772)	50.0(1.969)	48.5(1.909)
20	47.5(1.870)	52.5(2.067)	51.0(2.008)

Right angle Type



Recommended P.C. Board Layout

Ordering Code

① ② ③ ④ ⑤ ⑥ ⑦
CI22 20 P 1 V K0 - NH

- ① Series No.
- ② No. of Circuits: 02 ~ 20
- ③ P = DIP Type
- ④ Plating Code: 1 = Matte Tin over Nickel
- ⑤ Type: V = Straight
H = Right Angle
- ⑥ Other Options : 00 = Without Pin Kinked
K0 = With Pin Kinked (Standard)
- ⑦ NH = For Lead Free soldering process and Halogen-Free

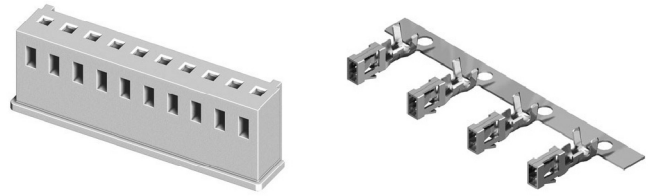
*Special options consult manufacturer

CI

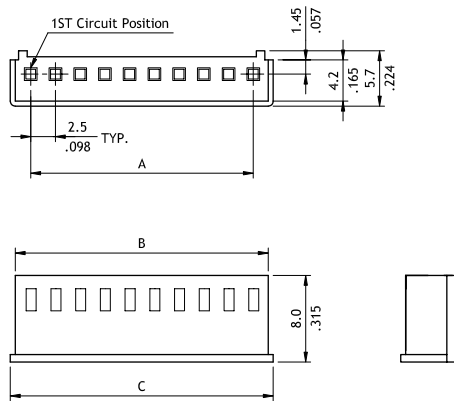
WIRE TO BOARD CONNECTORS

CI23 Series 2.50mm(.098") Wire to Board Connectors Housing & Terminal

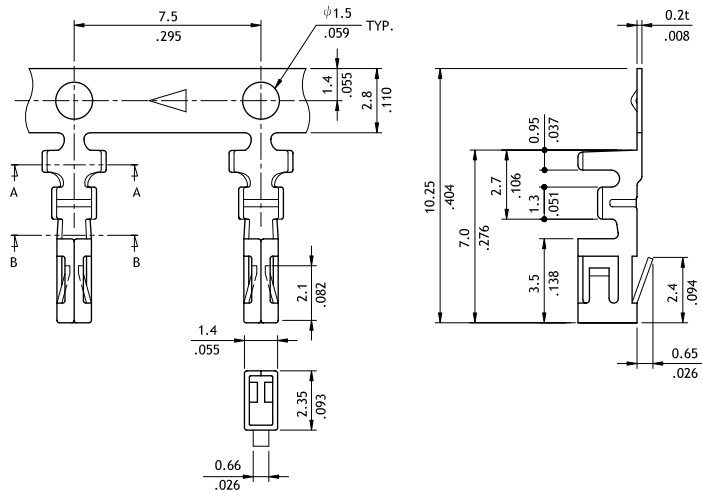
- Ⓞ Low profile with locking tab
- Ⓞ Mate with CI23 header
- Ⓞ Can be used with CI23 crimp clip terminal
- Ⓞ Terminal accommodated AWG #22 ~ #28
- Ⓞ Insulator: Nylon 66 UL 94V-2 , Color Ivory
- Ⓞ Terminal: Tin plated Phosphor Bronze



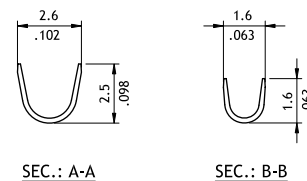
RoHS Compliant



Circuits	Dimension		
	A	B	C
2	2.5(.098)	6.0(.236)	7.2(.283)
3	5.0(.197)	8.5(.335)	9.7(.382)
4	7.5(.295)	11.0(.433)	12.2(.480)
5	10.0(.394)	13.5(.531)	14.7(.579)
6	12.5(.492)	16.0(.630)	17.2(.677)
7	15.0(.591)	18.5(.728)	19.7(.776)
8	17.5(.689)	21.0(.827)	22.2(.874)
9	20.0(.787)	23.5(.925)	24.7(.972)
10	22.5(.886)	26.0(1.024)	27.2(1.071)
11	25.0(.984)	28.5(1.122)	29.7(1.169)
12	27.5(1.083)	31.0(1.220)	32.2(1.268)



Wire Range	Insulation Diameter	Reel Qty
AWG #22-#28	1.9 MAX. (.075)	8,000 PCS



Ordering Code

① C I 23 ② 1 2 ③ S ④ 0 0 0 0

- ① Series No.
- ② No. of Circuits: 02 ~ 12
- ③ S = Housing
- ④ Other Options: 0000 = Standard
*Special options consult manufacturer

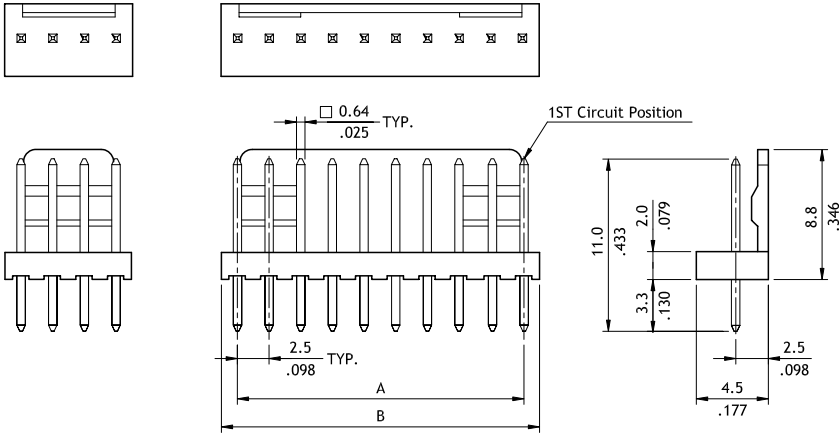
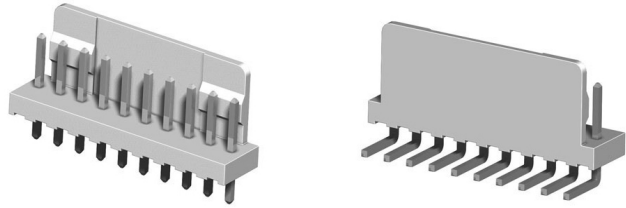
① C I 23 ② T 0 2 ③ 1 ④ P ⑤ E 0

- ① Series No.
- ② Type: T02 = AWG #22 ~ #28
- ③ Plating Code: 1 = Tin over Nickel
- ④ Material: P = Phosphor Bronze
- ⑤ Other Options: E0 = Standard

CI23 Series 2.50mm(.098") Wire to Board Connectors DIP Headers

- ⊙ With locking wall
- ⊙ Mate with CI23 Housing
- ⊙ Insulator: Nylon 66 UL 94V-2, Color Ivory
- ⊙ With Tin plated 0.64mm square pin

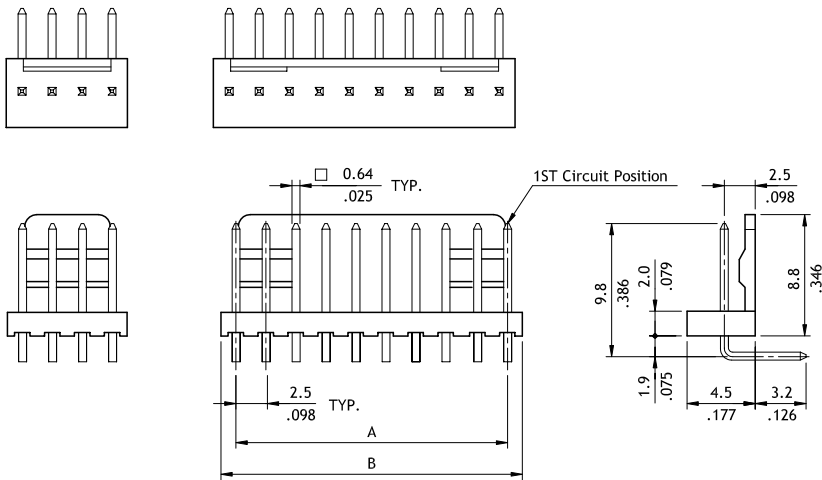
RoHS Compliant  



Circuits	Dimension	
	A	B
2	2.5(.098)	5.0(.197)
3	5.0(.197)	7.5(.295)
4	7.5(.295)	10.0(.394)
5	10.0(.394)	12.5(.492)
6	12.5(.492)	15.0(.591)
7	15.0(.591)	17.5(.689)
8	17.5(.689)	20.0(.787)
9	20.0(.787)	22.5(.886)
10	22.5(.886)	25.0(.984)
11	25.0(.984)	27.5(1.083)
12	27.5(1.083)	30.0(1.181)

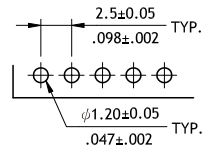
(2 Through 5 Circuits)

(6 Through 12 Circuits)



(2 Through 5 Circuits)

(6 Through 12 Circuits)



Recommended P.C. Board Layout

Ordering Code

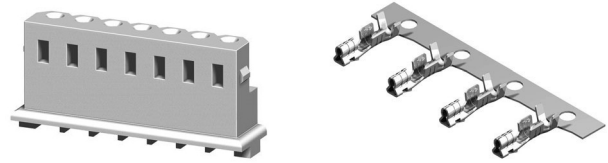
① ② ③ ④ ⑤ ⑥

C I 23 12 P 1 V 0 0

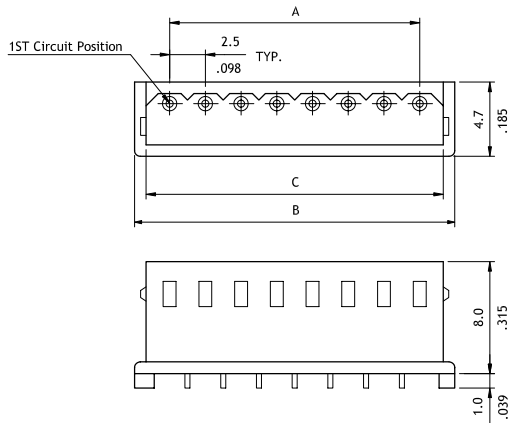
- ① Series No.
- ② No. of Circuits: 02 ~ 12
- ③ P = DIP Type
- ④ Plating Code : 1 = Tin over Nickel
- ⑤ Type: V = Straight
H = Right Angle
- ⑥ Other Options: 00 = Standard
*Special options consult manufacturer

CI25 Series 2.50mm(.098") Wire to Board Connectors Housing & Terminal

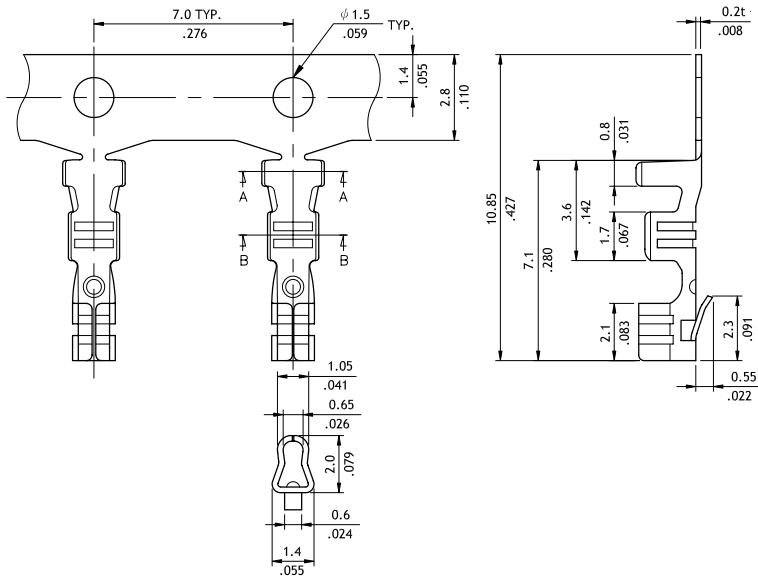
- Ⓞ Low profile with locking ribs
- Ⓞ Mate with CI25 header
- Ⓞ Can be used with CI25 crimp clip terminal
- Ⓞ Terminal accommodated AWG #22 ~ #28
- Ⓞ Insulator: Nylon 66 UL 94V-0 , Color Ivory
- Ⓞ Terminal: Tin plated Phosphor Bronze



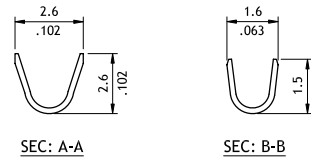
RoHS Compliant



Circuits	Dimension		
	A	B	C
2	2.5(.098)	7.4(.291)	5.8(.228)
3	5.0(.197)	9.9(.390)	8.3(.327)
4	7.5(.295)	12.4(.488)	10.8(.425)
5	10.0(.394)	14.9(.587)	13.3(.524)
6	12.5(.492)	17.4(.685)	15.8(.622)
7	15.0(.591)	19.9(.783)	18.3(.720)
8	17.5(.689)	22.4(.882)	20.8(.819)
9	20.0(.787)	24.9(.980)	23.3(.917)
10	22.5(.886)	27.4(1.079)	25.8(1.016)
11	25.0(.984)	29.9(1.177)	28.3(1.114)
12	27.5(1.083)	32.4(1.276)	30.8(1.213)
13	30.0(1.181)	34.9(1.374)	33.3(1.311)
14	32.5(1.280)	37.4(1.472)	35.8(1.409)
15	35.0(1.378)	39.9(1.571)	38.3(1.508)



Wire Range	Insulation Diameter	Reel Qty
AWG #22-#28	1.6 (.063) MAX.	10,000 PCS.



Ordering Code

①	②	③	④	①	②	③	④	⑤		
C	I25	12	S	0000	C	I25	T02	1	P	E0

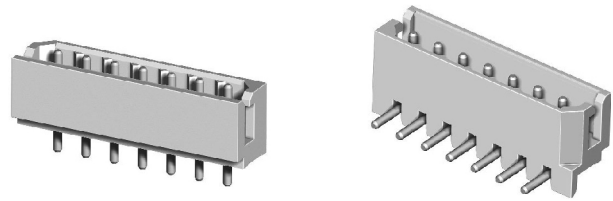
① Series No.
 ② No. of Circuits: 02 ~ 15
 ③ S = Housing
 ④ Other Options: 0000 = Standard
 *Special options consult manufacturer

① Series No.
 ② Type: T02 = AWG #22 ~ #28
 ③ Plating Code: 1 = Tin over Nickel
 ④ Material: P = Phosphor Bronze
 ⑤ Other Options: E0 = Standard

CI25 Series 2.50mm(.098") Wire to Board Connectors DIP Headers

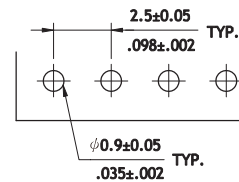
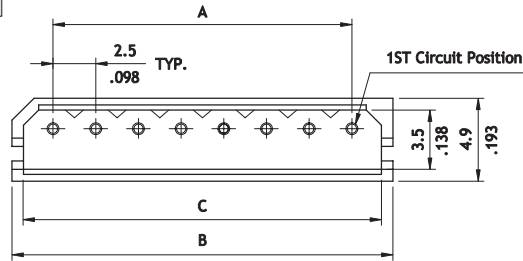
- ⊙ With locking slot
- ⊙ Mate with CI25 housing
- ⊙ Insulator: Polyamide UL 94V-0 , Color Ivory
- ⊙ With Tin plated 0.7mm round pin

RoHS Compliant

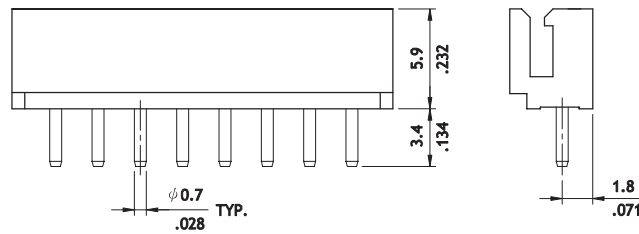


CI

Straight Type

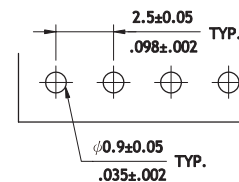
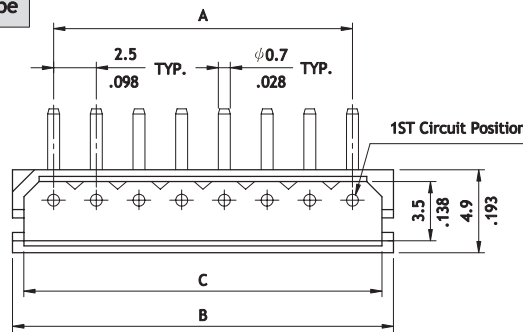


Recommended P.C. Board Layout

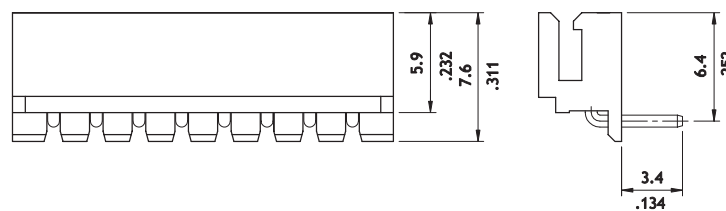


A = 2.5 x No. of Spaces
 B = A + 5.0
 C = A + 3.6

Right angle Type



Recommended P.C. Board Layout



A = 2.5 x No. of Spaces
 B = A + 5.0
 C = A + 3.6

Ordering Code

① ② ③ ④ ⑤ ⑥ ⑦
CI25 12 P 1 V 00 - NH

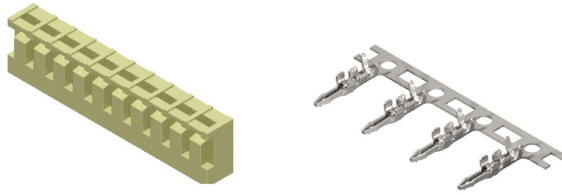
- ① Series No.
- ② No. of Circuits: 02 ~ 15
- ③ P = DIP Type
- ④ Plating Code: 1 = Matte Tin over Nickel
- ⑤ Type : V = Straight
 H = Right Angle

- ⑥ Other Options:
 00 = Standard
 *Special options consult manufacturer
- ⑦ NH = For Lead Free soldering process and Halogen-Free

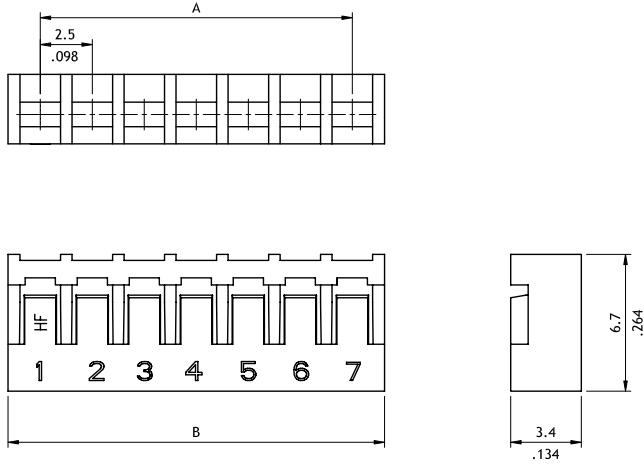
WIRE TO BOARD CONNECTORS

CI26 Series 2.50mm(.098") Board In Connectors

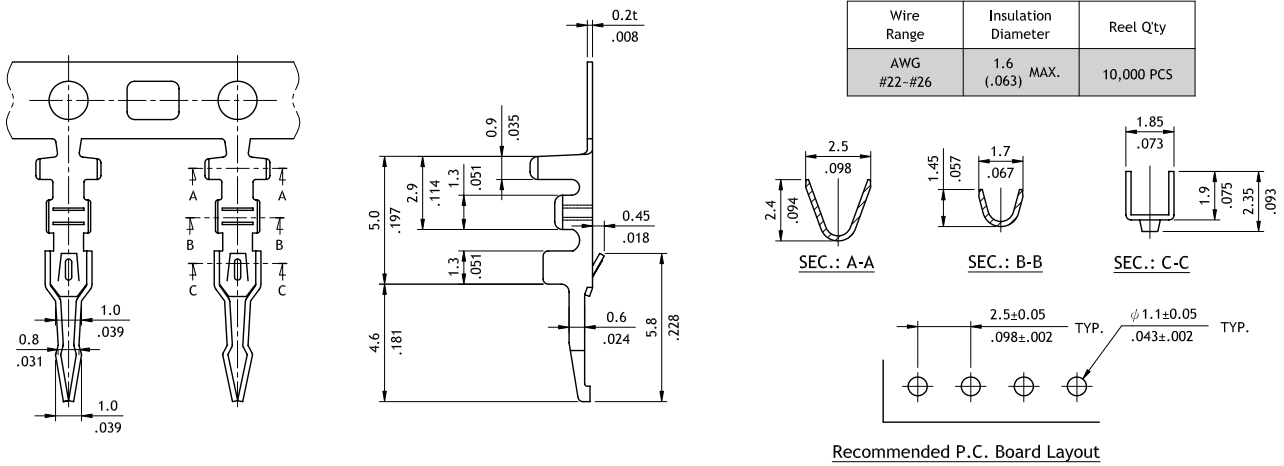
- ⊙ Low profile with locking ribs
- ⊙ Can be used with CI26 Board in terminal
- ⊙ Terminal accommodated AWG #22 ~ #26
- ⊙ Insulator: Nylon 66 UL 94V-0 , Color Ivory
- ⊙ Terminal: Tin plated Phosphor Bronze



RoHS Compliant



Circuits	Dimension	
	A	B
2	2.5(.098)	5.6(.220)
3	5.0(.197)	8.1(.389)
4	7.5(.295)	10.6(.417)
5	10.0(.394)	13.1(.516)
6	12.5(.492)	15.6(.614)
7	15.0(.591)	18.1(.713)
8	17.5(.689)	20.6(.811)
9	20.0(.787)	23.1(.909)
10	22.5(.886)	25.6(1.008)
11	25.0(.984)	28.1(1.106)
12	27.5(1.083)	30.6(1.205)
13	30.0(1.181)	33.1(1.303)
14	32.5(1.280)	35.6(1.402)
15	35.0(1.378)	38.1(1.598)
16	37.5(1.476)	40.6(1.598)



Ordering Code

① C ② 1 ③ S ④ 0000

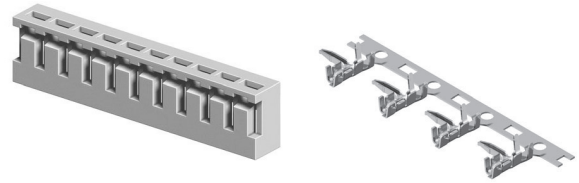
- ① Series No.
- ② No. of Circuits: 02 ~ 16
- ③ S = Housing
- ④ Other Options: 0000 = Standard
*Special options consult manufacturer

① C ② T02 ③ 1 ④ P ⑤ E0

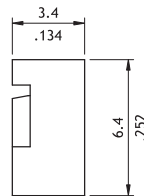
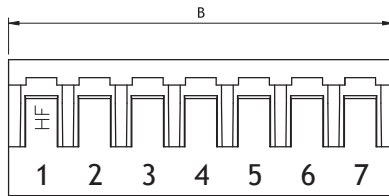
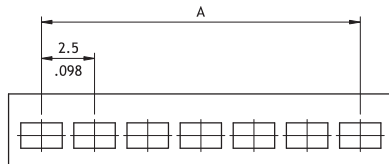
- ① Series No.
- ② Type: T02 = AWG #22 ~ #26
- ③ Plating Code: 1 = Tin over Nickel
- ④ Material: P = Phosphor Bronze
- ⑤ Other Options: E0 = Standard

CI27 Series 2.50mm(.098") Board In Connectors

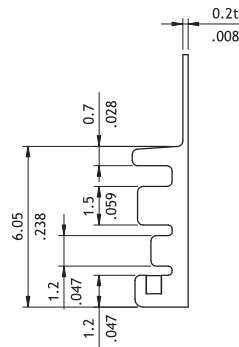
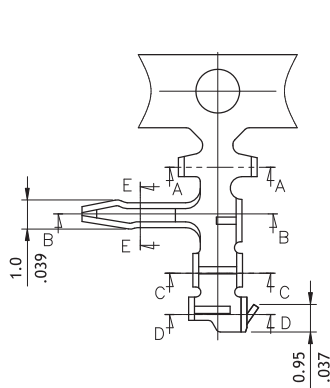
- ⊙ Low profile with locking ribs
- ⊙ Can be used with CI27 Crimp Board in Terminal
- ⊙ Terminal accommodated AWG #22 ~ #26
- ⊙ Insulator: Nylon 66 UL 94V-0, Color Nature
- ⊙ Terminal: Tin plated Phosphor Bronze



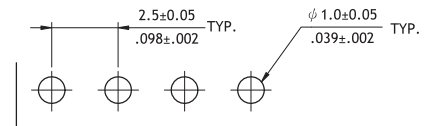
RoHS Compliant



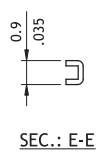
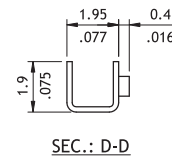
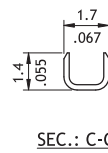
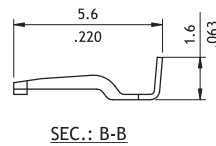
Circuits	Dimension	
	A	B
2	2.5(.098)	5.7(.224)
3	5.0(.197)	8.2(.323)
4	7.5(.295)	10.7(.421)
5	10.0(.394)	13.2(.520)
6	12.5(.492)	15.7(.618)
7	15.0(.591)	18.2(.717)
8	17.5(.689)	20.7(.815)
9	20.0(.787)	23.2(.913)
10	22.5(.886)	25.7(1.012)
11	25.0(.984)	28.2(1.110)
12	27.5(1.083)	30.7(1.209)
13	30.0(1.181)	33.2(1.307)
14	32.5(1.280)	35.7(1.406)
15	35.0(1.378)	38.2(1.504)
16	37.5(1.476)	40.6(1.598)



Wire Range	Insulation Diameter	Reel Qty
AWG #22-#26	1.6 (.063) MAX.	7,000 PCS



Recommended PCB Layout



Ordering Code

① ② ③ ④
C I 27 1 6 S 0 0 0 0

① ② ③ ④ ⑤
C I 2 7 T 0 2 1 P E H

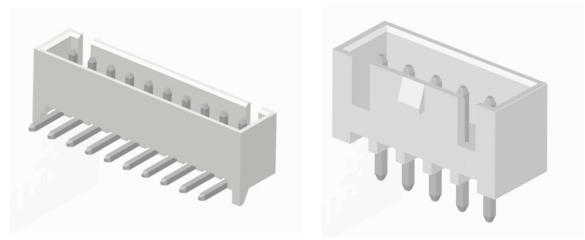
- ① Series No.
- ② No. of Circuits: 02 ~ 16
- ③ S = Housing
- ④ Other Options: 0000 = Standard
 *Special options consult manufacturer

- ① Series No.
- ② Type: T02 = AWG #22 ~ #26
- ③ Plating Code: 1 = Tin over Nickel
- ④ Material: P = Phosphor Bronze
- ⑤ Other Options: EH = Right Angle Terminal

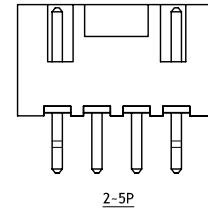
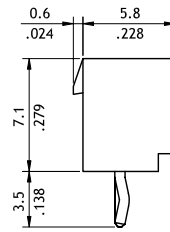
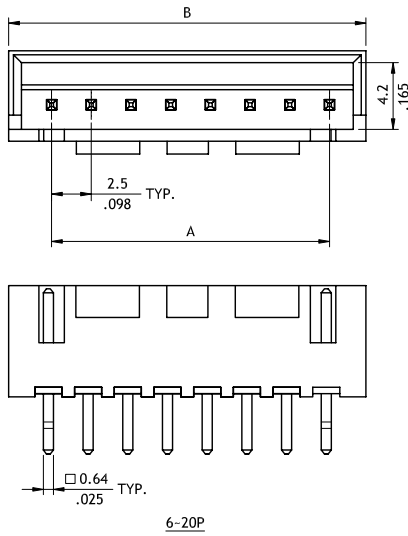
CI30 Series 2.50mm (.098") Wire to Board Connectors DIP Header

- ⊙ With locking wall
- ⊙ Insulation: Nylon 66 UL 94V-0 , Color Nature

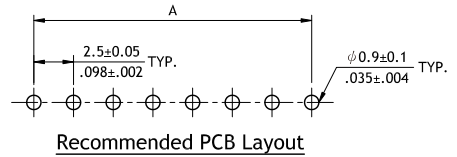
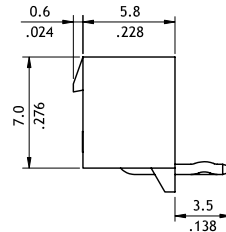
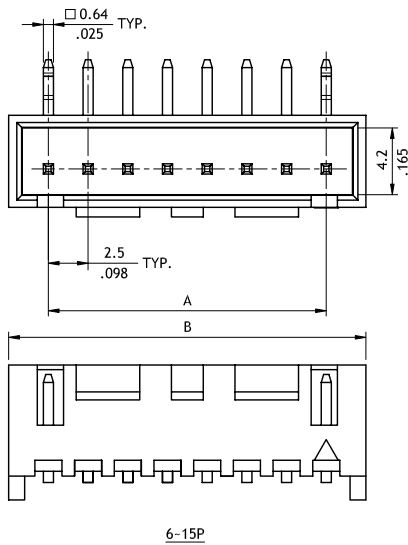
RoHS Compliant



Top entry



Side entry



A = 2.50 x No. of Spaces
B = A + 5.0

Ordering Code

① CI30 ② 02 ③ P ④ 1 ⑤ V ⑥ K0-A

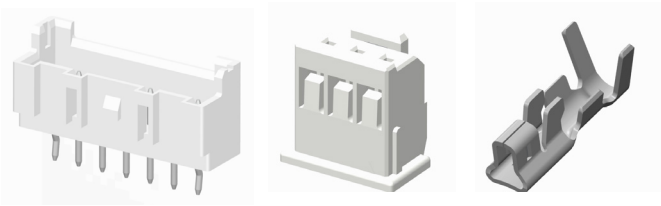
- ① Series No.
- ② No. of Circuits: 02~16
- ③ P= DIP Header
- ④ Plating Code :1 = Tin over Nickel

- ⑤ Contact Type :
V= Straight
H= Right Angle
- ⑥ Option : K0 = Standard (With Pin Kinked)

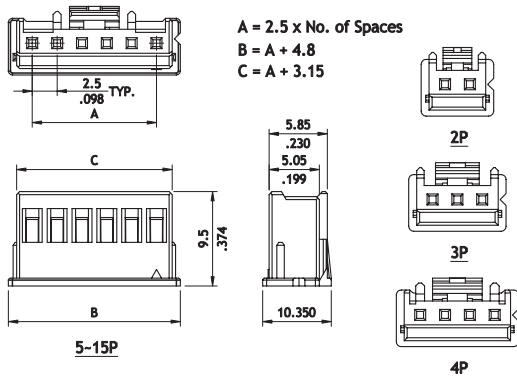
CI60 Series 2.50mm (.098") Wire to Board Connectors DIP Header&Housing

- ⊙ With locking wall
- ⊙ Insulation: Nylon 66 UL 94V-0 , Color Nature

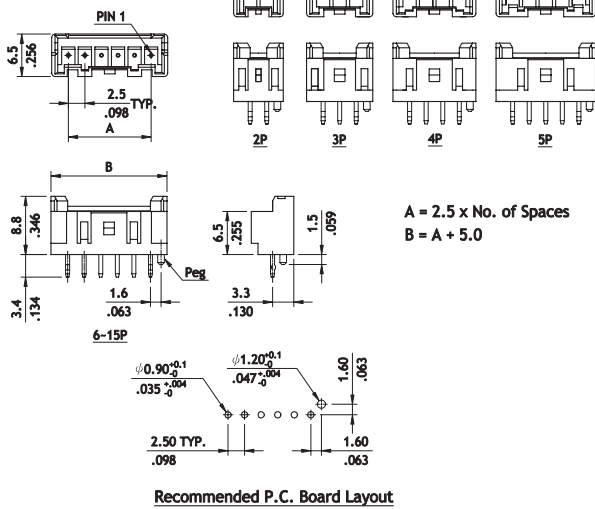
RoHS Compliant



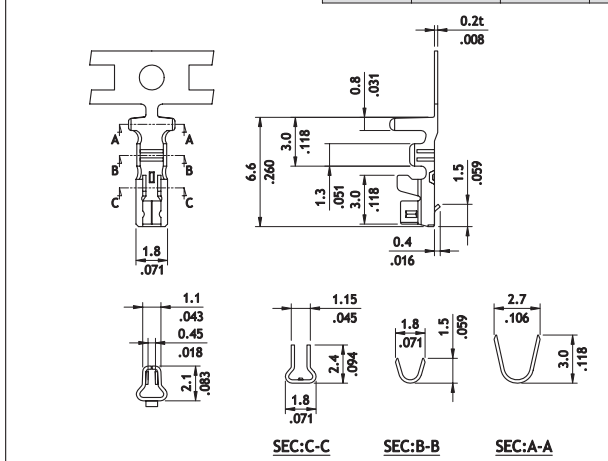
P/N CI60**SL000



P/N CI60**P1VK0

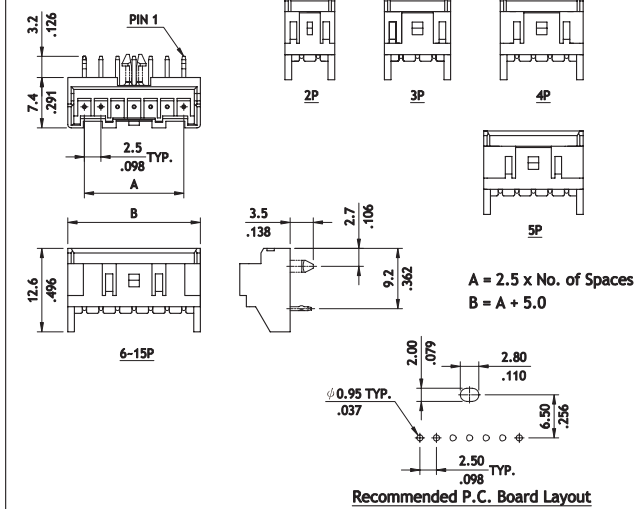


P/N CI60T021PE0



Wire Range AWG #22-#28	Insulation Diameter 1.90 (.075)MAX.	Reel Qty 8,000 PCS	Material Phosphor Bronze
---------------------------	---	-----------------------	-----------------------------

P/N CI60**P1HK0



Ordering Code

① C ② 15 ③ S ④ L ⑤ 000

- ① Series No.
- ② No. of Circuits: 02 ~ 15
- ③ S = Housing
- ④ L=With Locking Latch
- ⑤ Option: 000=Standard (Color Nature)

① C ② 15 ③ P ④ 1 ⑤ V ⑥ K0

- ① Series No.
- ② No. of Circuits: 02 ~ 15
- ③ P = Pin Header
- ④ Plating : 1= Tin over Nickel
- ⑤ Type : V = Straight Type
H =Right Angle
- ⑥ Other Option: K0= With Pin Kinked

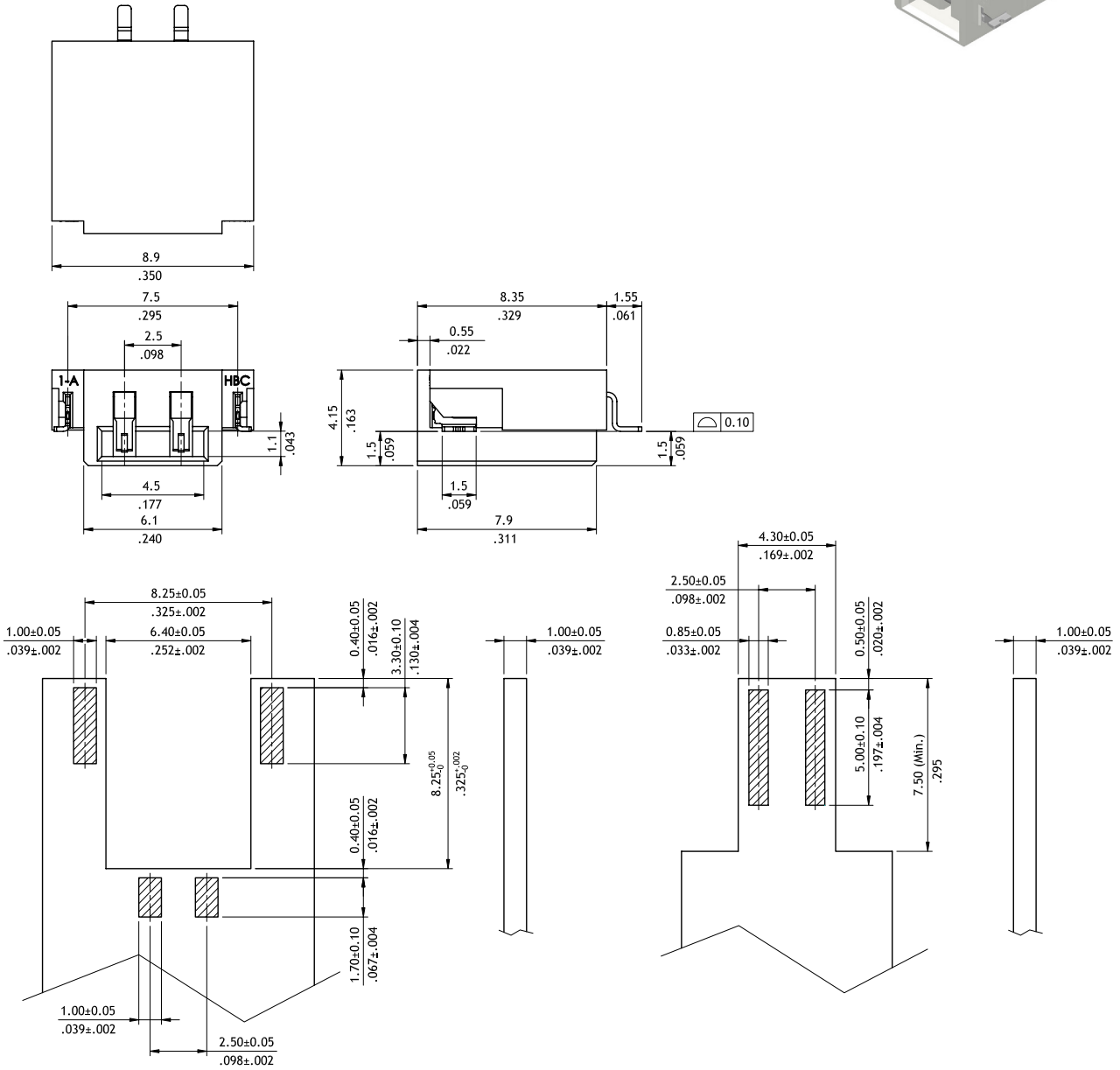
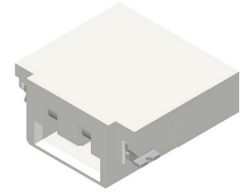
CI

WIRE TO BOARD CONNECTORS

CIL4 Series 2.5mm(.098") Wire to Board Connectors SMT Headers

⊙ With PAD for SMT Line pick and place machine

RoHS Compliant



Ordering Code

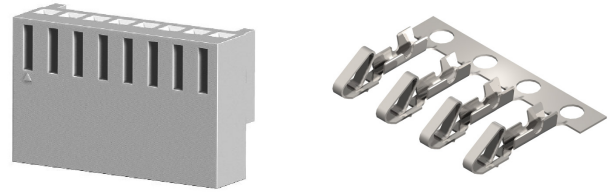
① ② ③ ④ ⑤ ⑥ ⑦ ⑧
C I L 4 0 2 M 1 H R 0 - N H

- ① Series No.
- ② No. of Circuits: 02
- ③ M = SMT Type
- ④ Plating Code:
1 = Matte Tin over Nickel

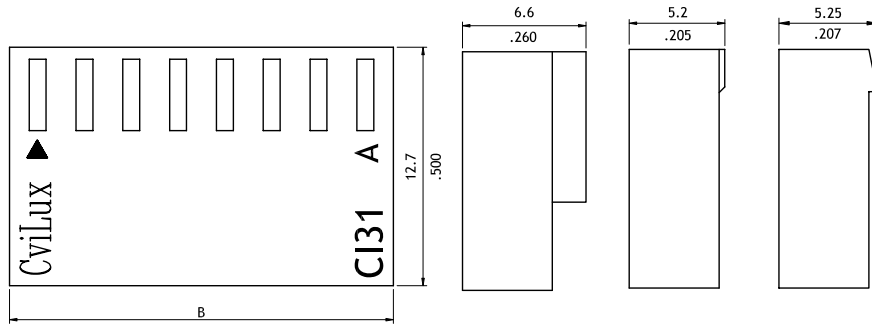
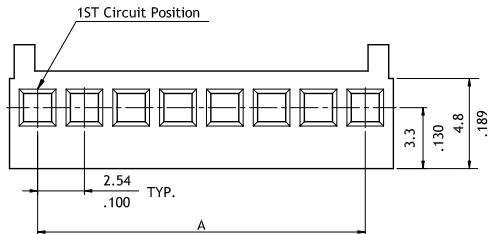
- ⑤ Type: H = Side Entry
- ⑥ Packing Options:
R=Tape & Reel
- ⑦ Options: 0 = Standard
- ⑧ NH = For Lead Free IR process and Halogen-Free

CI31 Series 2.54mm(.100") Wire to Board Connectors Housing & Terminal

- ⊙ With locking ramps and ribs
- ⊙ Mate with CI31, CH31, CI83 header
- ⊙ Can be used with CI31 crimp clip terminal
- ⊙ Insulator: Nylon 66 UL 94V-2, Color Ivory
- ⊙ Terminal: Tin plated Brass or Phosphor Bronze

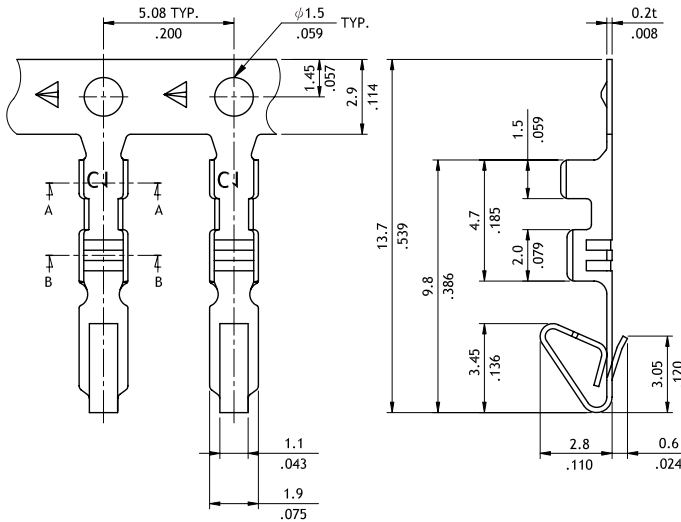


RoHS Compliant

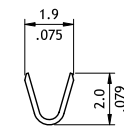


P/N:CI31**S0000 P/N:CI31**SNP00 P/N:CI31**S00R0

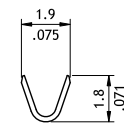
Circuits	Dimension	
	A	B
2	2.54(.100)	5.6(.220)
3	5.08(.200)	8.1(.319)
4	7.62(.300)	10.7(.421)
5	10.16(.400)	13.2(.520)
6	12.70(.500)	15.8(.622)
7	15.24(.600)	18.3(.720)
8	17.78(.700)	20.8(.819)
9	20.32(.800)	23.4(.921)
10	22.86(.900)	25.9(1.020)
11	25.40(1.000)	28.5(1.122)
12	27.94(1.100)	31.0(1.220)
13	30.48(1.200)	33.5(1.319)
14	33.02(1.300)	36.1(1.421)
15	35.56(1.400)	38.6(1.520)
16	38.10(1.500)	41.2(1.622)
17	40.64(1.600)	43.7(1.720)
18	43.18(1.700)	46.2(1.819)
19	45.72(1.800)	48.8(1.921)
20	48.26(1.900)	51.3(2.020)



Wire Range	Insulation Diameter	Reel Qty
AWG #22-#28	1.5 (.059) MAX.	10,000 PCS.



SEC: A-A



SEC: B-B

Ordering Code

① C I 3 1 ② 2 0 ③ S ④ 0 0 0 0

- ① Series No.
- ② No. of Circuits: 02 ~ 20
- ③ S = Housing
- ④ Other Options:
 - 0000 = With Polarizing Ribs (Long)
 - 00R0 = With Polarizing Ribs (Short)
 - NP00 = Without Polarizing Rib
 - *Special options consult manufacturer

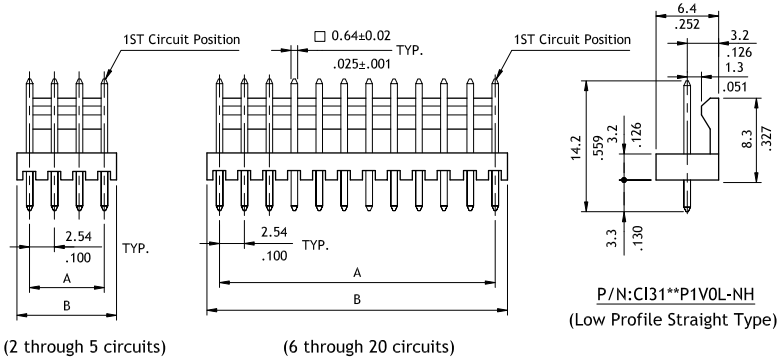
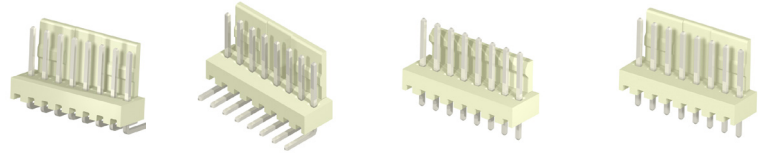
① C I 3 1 ② T 0 2 ③ 1 ④ B ⑤ E 0

- ① Series No.
- ② Type: T02 = AWG #22 ~ #28
- ③ Plating Code: 1 = Tin over Nickel
- ④ Material : B = Brass
P = Phosphor Bronze
- ⑤ Other Options: E0 = Standard

CI31 Series 2.54mm(.100") Wire to Board Connectors DIP Headers

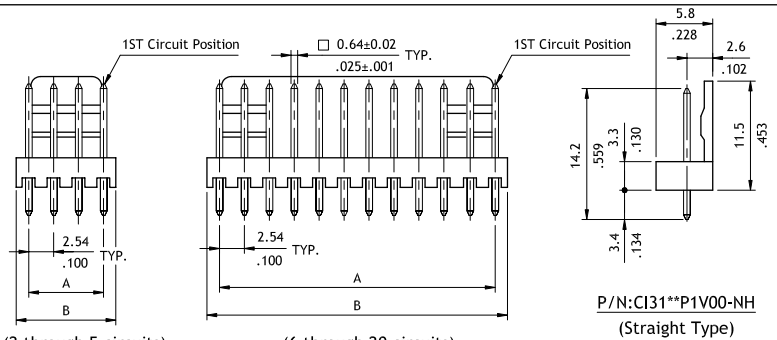
- With locking ramps and ribs
- Mate with CI31 Housing
- Insulator: High temperature plastic UL 94V-0, Color Nature
- Terminal: Matte Tin plated Brass

RoHS Compliant



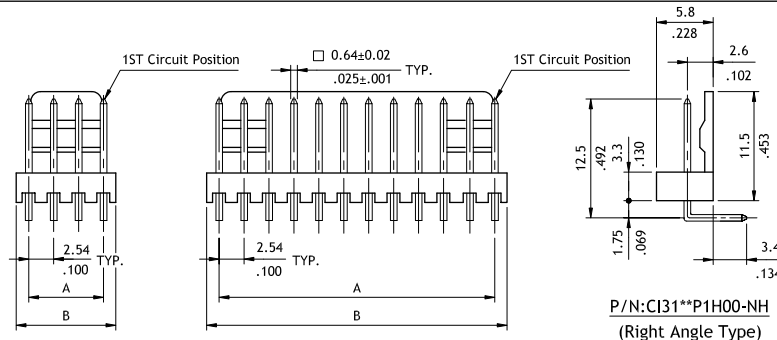
(2 through 5 circuits)

(6 through 20 circuits)



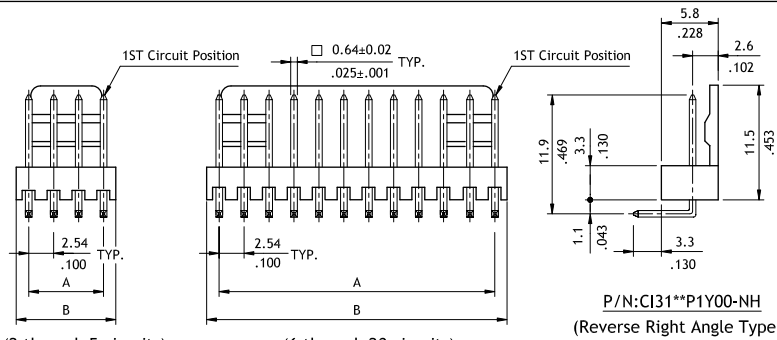
(2 through 5 circuits)

(6 through 20 circuits)



(2 through 5 circuits)

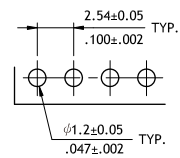
(6 through 20 circuits)



(2 through 5 circuits)

(6 through 20 circuits)

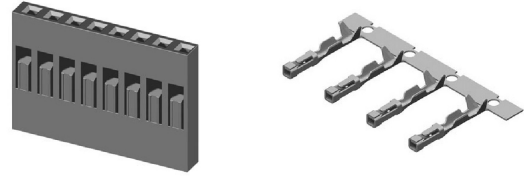
Circuits	Dimension	
	A	B
2	2.54(.100)	5.1(.201)
3	5.08(.200)	7.6(.299)
4	7.62(.300)	10.2(.402)
5	10.16(.400)	12.7(.500)
6	12.70(.500)	15.2(.598)
7	15.24(.600)	17.8(.701)
8	17.78(.700)	20.3(.799)
9	20.32(.800)	22.9(.902)
10	22.86(.900)	25.4(1.000)
11	25.40(1.000)	27.9(1.098)
12	27.94(1.100)	30.5(1.201)
13	30.48(1.200)	33.0(1.299)
14	33.02(1.300)	35.6(1.402)
15	35.56(1.400)	38.1(1.500)
16	38.10(1.500)	40.6(1.598)
17	40.64(1.600)	43.2(1.701)
18	43.18(1.700)	45.7(1.799)
19	45.72(1.800)	48.3(1.902)
20	48.26(1.900)	50.8(2.000)



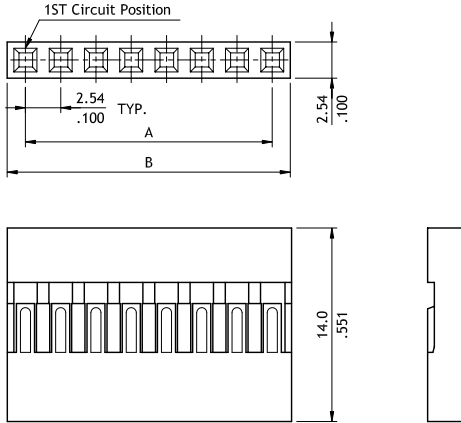
Recommended PCB Layout

CI32 Series 2.54mm(.100") Wire to Board Connectors Housing & Terminal

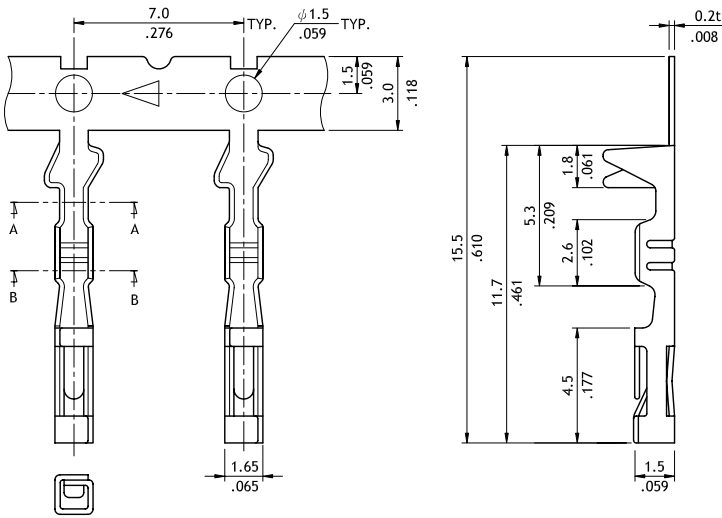
- ⊙ Mate with CH31, CH34 Header
- ⊙ Can be used with CI32 crimp clip terminal
- ⊙ Insulator: Nylon 66 UL 94V-1, Color Black
- ⊙ Terminal: Tin or Gold flash plated Brass or Phosphor Bronze



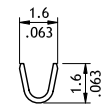
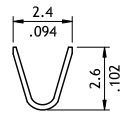
RoHS Compliant



Circuits	Dimension		Circuits	Dimension	
	A	B		A	B
1	----	2.8(.110)	21	50.80(2.000)	53.6(2.110)
2	2.54(.100)	5.3(.209)	22	53.34(2.100)	56.2(2.213)
3	5.08(.200)	7.8(.307)	23	55.88(2.200)	58.7(2.311)
4	7.62(.300)	10.4(.410)	24	58.42(2.300)	61.3(2.413)
5	10.16(.400)	12.9(.508)	25	60.96(2.400)	63.8(2.512)
6	12.70(.500)	15.4(.606)	26	63.50(2.500)	66.3(2.610)
7	15.24(.600)	18.0(.709)	27	66.04(2.600)	68.9(2.713)
8	17.78(.700)	20.5(.807)	28	68.58(2.700)	71.4(2.811)
9	20.32(.800)	23.1(.909)	29	71.12(2.800)	74.0(2.913)
10	22.86(.900)	25.6(1.008)	30	73.66(2.900)	76.5(3.012)
11	25.40(1.000)	28.1(1.106)	31	76.20(3.000)	79.0(3.110)
12	27.94(1.100)	30.7(1.209)	32	78.74(3.100)	81.6(3.213)
13	30.48(1.200)	33.2(1.307)	33	81.28(3.200)	84.1(3.311)
14	33.02(1.300)	35.8(1.409)	34	83.82(3.300)	86.7(3.413)
15	35.56(1.400)	38.3(1.508)	35	86.36(3.400)	89.2(3.512)
16	38.10(1.500)	40.8(1.606)	36	88.90(3.500)	91.7(3.610)
17	40.64(1.600)	43.4(1.709)	37	91.44(3.600)	94.3(3.713)
18	43.18(1.700)	45.9(1.807)	38	93.98(3.700)	96.8(3.811)
19	45.72(1.800)	48.5(1.909)	39	96.52(3.800)	99.4(3.913)
20	48.26(1.900)	51.1(2.012)	40	99.06(3.900)	101.9(4.012)



Wire Range	Insulation Diameter	Reel Qty
AWG #22-#28	1.7 (.067) MAX.	10,000 PCS



Ordering Code

① C ② I ③ 3 ④ 2 ⑤ 4 ⑥ 0
C I 3 2 4 0 S 0 0 1 0

① C ② I ③ 3 ④ 2 ⑤ 4 ⑥ 0
C I 3 2 T 0 2 A B E 0

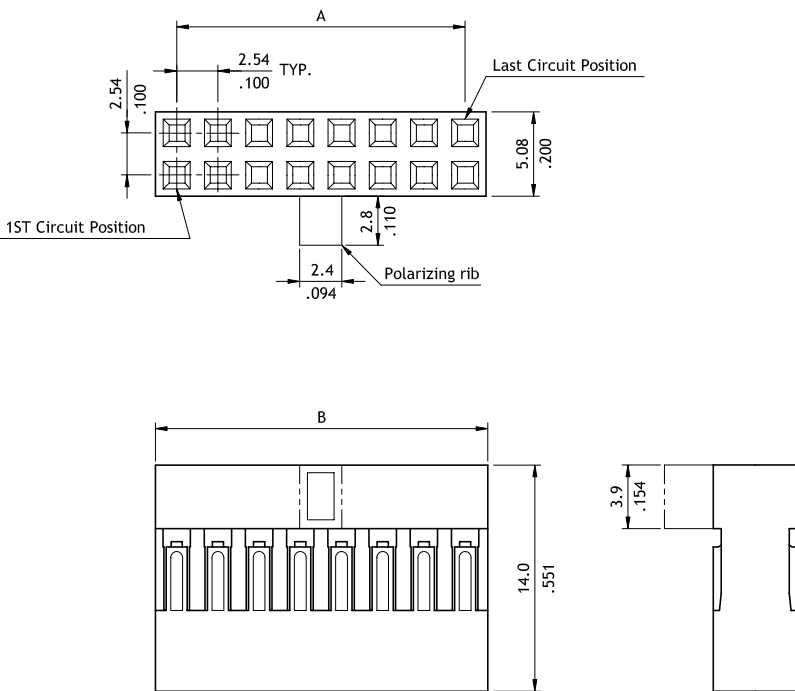
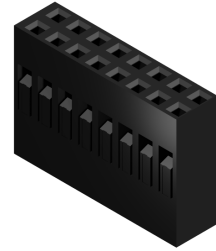
- ① Series No.
- ② No. of Circuits: 01 ~ 40
- ③ S = Housing
- ④ Other Options : 0010 = Color Black
 *Special options consult manufacturer

- ① Series No.
- ② Type: T02 = AWG #22 ~ #28
- ③ Plating Code:
 1 = Tin over Nickel
 A = Selective Gold flash over Nickel
- ④ Material: B = Brass ; P =Phosphor Bronze
- ⑤ Other Options:E0 = Standard

CI34 Series 2.54mm(.100") Dual Row Wire to Board Connectors Housing

- ⊙ With polarizing rib
- ⊙ Mate with CH81, CH84, and CH87 Header
- ⊙ Can be used with CI32 crimp clip terminal
- ⊙ Insulator: Nylon 66 UL 94V-1, Color Black

RoHS Compliant



Circuits	Dimension	
	A	B
4	2.54(.100)	5.1(.201)
6	5.08(.200)	7.6(.299)
8	7.62(.300)	10.2(.402)
10	10.16(.400)	12.7(.500)
12	12.70(.500)	15.2(.598)
14	15.24(.600)	17.8(.701)
16	17.78(.700)	20.3(.799)
18	20.32(.800)	22.9(.902)
20	22.86(.900)	25.4(1.000)
22	25.40(1.000)	27.9(1.098)
24	27.94(1.100)	30.5(1.201)
26	30.48(1.200)	33.0(1.299)
28	33.02(1.300)	35.6(1.402)
30	35.56(1.400)	38.1(1.500)
32	38.10(1.500)	40.6(1.598)
34	40.64(1.600)	43.2(1.701)
36	43.18(1.700)	45.7(1.799)
38	45.72(1.800)	48.3(1.902)
40	48.26(1.900)	50.8(2.000)

Ordering Code

①
②
③
④

C I 3 4 4 0 S 0 0 1 0

① Series No.

② No. of Circuits: 04 ~ 40

③ S = Housing

④ Other Options:

0010 = Color Black, Without Polarizing Rib

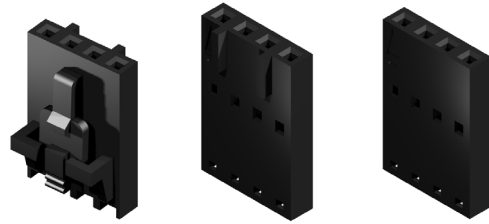
001A = Color Black, With Polarizing Rib

*Special options consult manufacturer

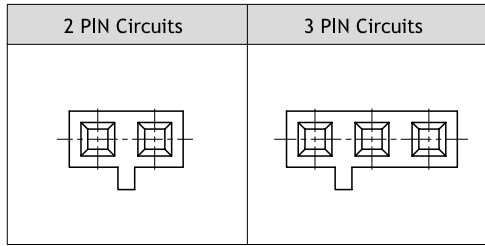
CI33 Series 2.54mm(.100") Single Row Wire to Board Connectors Housing

- ⊙ With positive locking ribs and latch
- ⊙ Mate with CI33 Headers
- ⊙ Can be used with CI33 crimp clip terminal
- ⊙ Insulator: Glass filled polyester UL 94V-0, Color Black

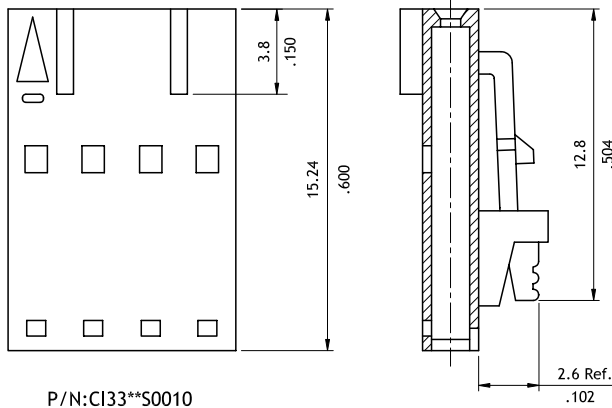
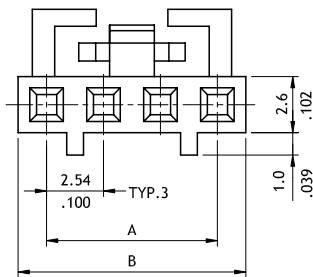
RoHS Compliant 



CI



Circuits	Dimension	
	A	B
2	2.54(.100)	5.2(.205)
3	5.08(.200)	7.7(.303)
4	7.62(.300)	10.3(.406)
5	10.16(.400)	12.8(.504)
6	12.70(.500)	15.2(.598)
7	15.24(.600)	17.9(.705)
8	17.78(.700)	20.4(.803)
9	20.32(.800)	23.0(.906)
10	22.86(.900)	25.5(1.004)
11	25.40(1.000)	28.0(1.102)
12	27.94(1.100)	30.6(1.205)
13	30.48(1.200)	33.1(1.303)
14	33.02(1.300)	35.7(1.406)
15	35.56(1.400)	38.2(1.504)
16	38.10(1.500)	40.7(1.602)
17	40.64(1.600)	43.3(1.705)
18	43.18(1.700)	45.8(1.803)



P/N:CI33**S0010

Ordering Code

① ② ③ ④
C I 3 3 1 8 S 0 0 1 0

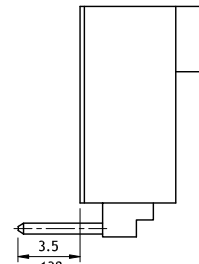
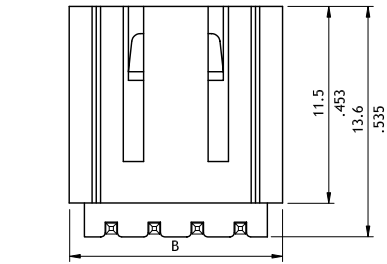
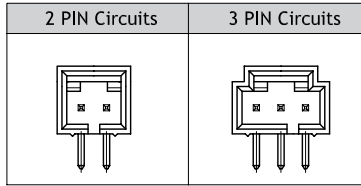
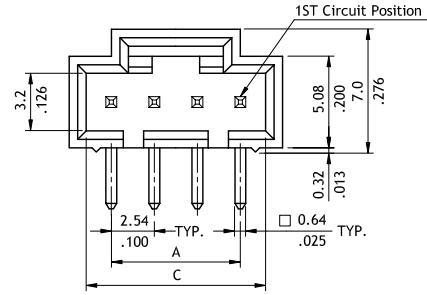
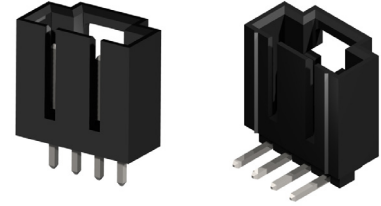
- ① Series No.
- ② No. of Circuits: 02 ~ 18
- ③ Type:S00 = With latch and locking ribs
- ④ Other Options
10 = Color Black (Standard)

WIRE TO BOARD CONNECTORS

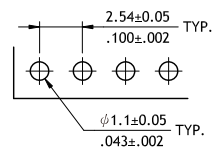
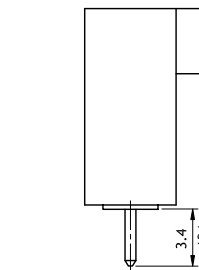
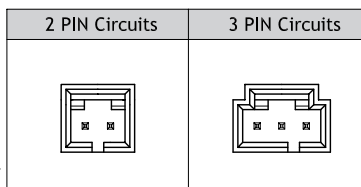
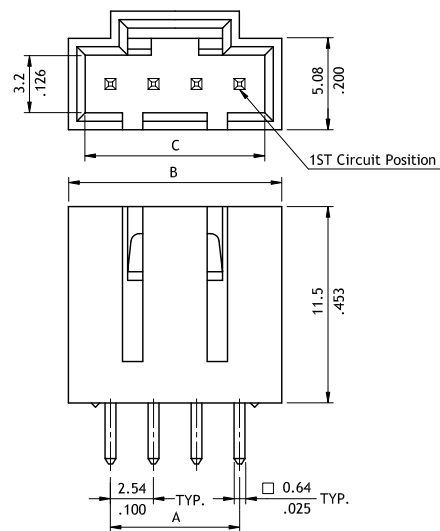
CI33 Series 2.54mm(.100") Single Row Wire to Board DIP Headers

- ⊙ Box type with locking slot
- ⊙ Mate with CI33 Single Row Housing
- ⊙ Insulator: Glass filled polyester UL 94V-0, Color Black
- ⊙ With Tin plated 0.64mm square pin

RoHS Compliant



Circuits	Dimension		
	A	B	C
2	2.54(.100)	7.64(.301)	5.52(.217)
3	5.08(.200)	10.18(.401)	8.06(.317)
4	7.62(.300)	12.72(.501)	10.6(.417)
5	10.16(.400)	15.26(.601)	13.14(.517)
6	12.7(.500)	17.8(.701)	15.68(.617)
7	15.24(.600)	20.34(.801)	18.22(.717)
8	17.78(.700)	22.88(.901)	20.76(.817)
9	20.32(.800)	25.42(1.000)	23.3(.917)
10	22.86(.900)	27.96(1.101)	25.84(1.017)
11	25.4(1.000)	30.5(1.201)	28.38(1.117)
12	27.94(1.100)	33.04(1.301)	30.92(1.217)
13	30.48(1.200)	35.58(1.401)	33.46(1.317)
14	33.02(1.300)	38.12(1.501)	36.0(1.417)
15	35.56(1.400)	40.66(1.601)	38.54(1.517)
16	38.1(1.500)	43.2(1.701)	41.08(1.617)
17	40.64(1.600)	45.74(1.801)	43.62(1.717)
18	43.18(1.700)	48.28(1.901)	46.16(1.817)



Recommended P.C. Board Layout

Ordering Code

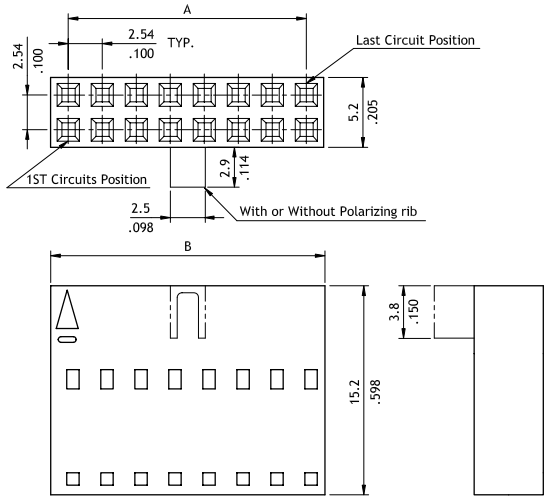
① ② ③ ④ ⑤ ⑥
C I 3 3 1 8 P 1 V 1 0

- ① Series No.
- ② No. of Circuits: 02 ~ 18
- ③ P = DIP Header
- ④ Plating Code:
 1 = Tin over Nickel
 2 = Gold flash over Nickel
- ⑤ Type: V = Straight
 H = Right Angle
- ⑥ Other Options:
 10 = Color Black (Standard)
 *Special options consult manufacturer

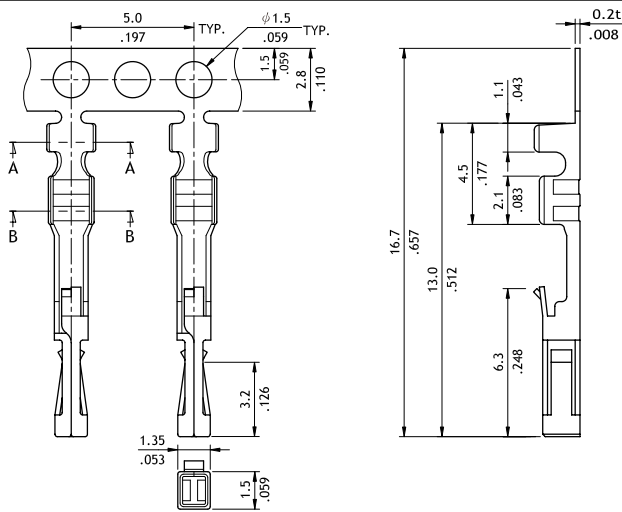
CI33 Series 2.54mm(.100") Dual Row Wire to Board Connectors

- ⊙ With positive locking latch
- ⊙ Mate with CH81, CH84, and CH87 Header
- ⊙ Can be used with CI33 crimp clip terminal
- ⊙ Insulator: Glass filled polyester UL 94V-0, Color Black
- ⊙ With Tin plated Phosphor Bronze

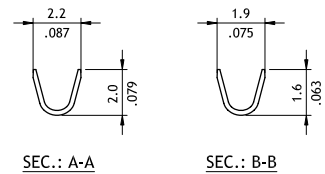
RoHS Compliant



Circuits	Dimension		Circuits	Dimension	
	A	B		A	B
4	2.54(.100)	5.2(.205)	34	40.64(1.600)	43.3(1.705)
6	5.08(.200)	7.7(.303)	36	43.18(1.700)	45.9(1.807)
8	7.62(.300)	10.3(.406)	38	45.72(1.800)	48.4(1.906)
10	10.16(.400)	12.8(.504)	40	48.26(1.900)	50.9(2.004)
12	12.7(.500)	15.4(.606)	42	50.8(2.000)	53.5(2.106)
14	15.24(.600)	17.9(.705)	44	53.34(2.100)	56.0(2.205)
16	17.78(.700)	20.5(.807)	46	55.88(2.200)	58.6(2.307)
18	20.32(.800)	23.0(.906)	48	58.42(2.300)	61.1(2.406)
20	22.86(.900)	25.5(1.004)	50	60.96(2.400)	63.6(2.504)
22	25.4(1.000)	28.1(1.106)	52	63.5(2.500)	66.2(2.606)
24	27.94(1.100)	30.6(1.205)	54	66.04(2.600)	68.7(2.705)
26	30.48(1.200)	33.2(1.307)	56	68.58(2.700)	71.3(2.807)
28	33.02(1.300)	35.7(1.406)	58	71.12(2.800)	73.8(2.906)
30	35.56(1.400)	38.2(1.504)	60	73.66(2.900)	76.3(3.006)
32	38.1(1.500)	40.8(1.606)			



Wire Range	Insulation Diameter	Reel Q'ty
AWG #22-#28	1.7 (.067) MAX.	15,000 PCS.



Ordering Code

① C ② 133 ③ S ④ 0 D 10

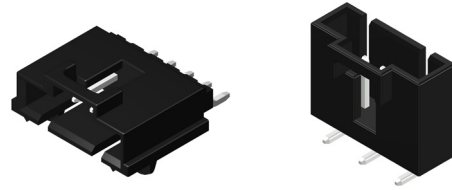
- ① Series No.
- ② No. of Circuits: 04 ~ 60
- ③ S = Housing
- ④ Other Options:
 OD10 = Without Polarizing Rib (04~60 Pin)
 OD1A = With Polarizing Rib (04,06,10,12,16,24,30 Pin)
 *Special options consult manufacturer

① C ② 133 ③ T02 ④ 1 P ⑤ E0

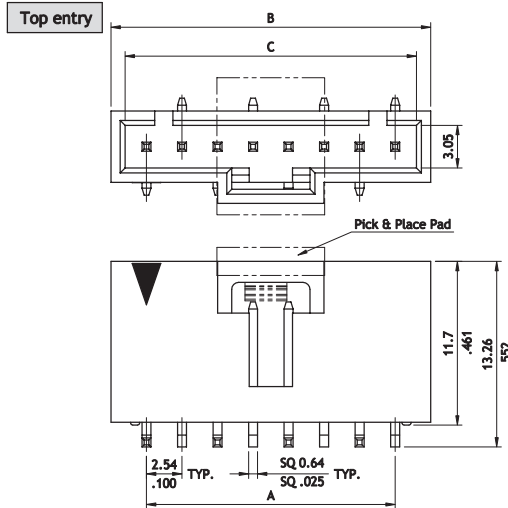
- ① Series No.
- ② Type: T02 = AWG #22 ~ #28
- ③ Plating Code: 1 = Tin over Nickel
- ④ Material: P = Phosphor Bronze
- ⑤ Other Options: E0 = Standard

CI33 Series 2.54mm(.100") Single Row Wire to Board SMT Headers

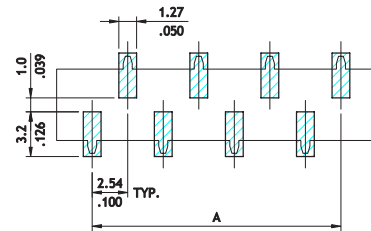
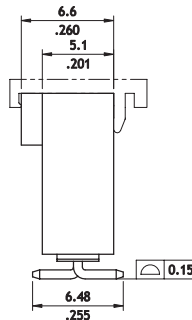
- ⊙ With positive locking latch
- ⊙ Mate with CH81, CH84, and CH87 Header
- ⊙ Can be used with CI33 crimp clip terminal
- ⊙ Insulator: Glass filled polyester UL 94V-0, Color Black
- ⊙ With Tin plated Phosphor Bronze



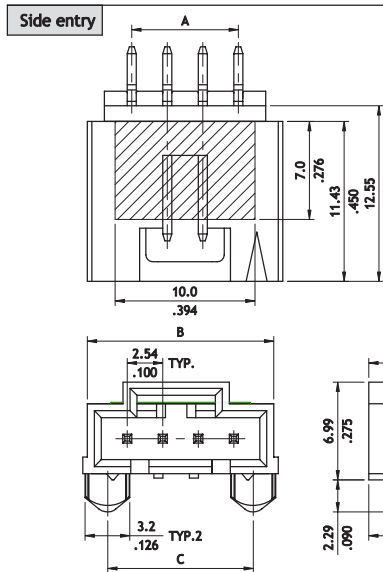
RoHS Compliant



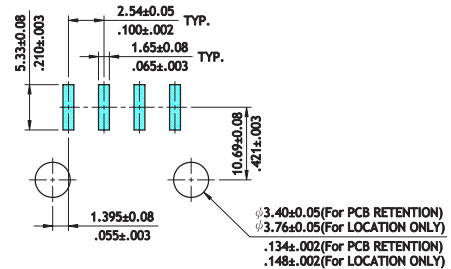
$A = 2.54 \times (\text{No. of Contact} - 1)$
 $B = A + 5.08$
 $C = A + 3.05$



Recommended P.C. Board Layout
General Tolerance ±0.05



$A = 2.54 \times (\text{No. of Contact} - 1)$
 $B = A + 6.35$
 $C = A + 2.79$



Recommended P.C. Board Layout

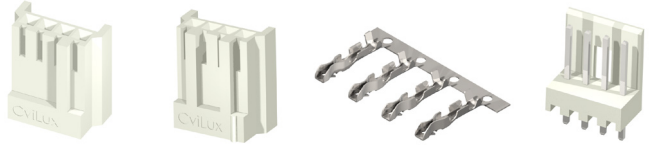
Ordering Code

①
②
③
④
⑤
⑥
⑦
⑧
C
I
3
3
1
2
M
1
V
1
0
-
NH

- ① Series No.
- ② No. of Circuits : 2~12
- ③ Contact type: M= SMT Type
- ④ Plating Options:
1= Matte Tin over Nickel
- ⑤ Tail style: Type : V= Top Entry , H = Side Entry
- ⑥ Color option: 1=Color Black
- ⑦ Other option: 0 = Standard
- ⑧ NH= For Lead Free IR Processes and Halogen Free

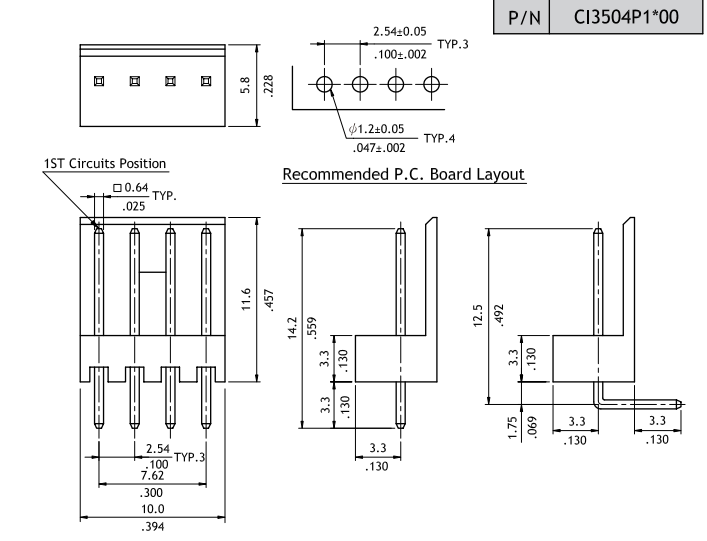
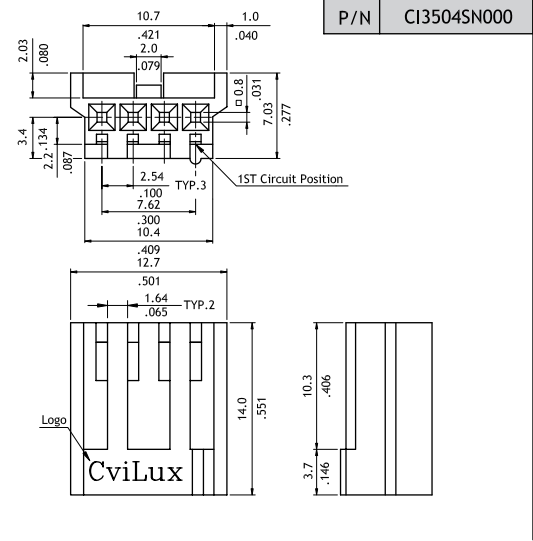
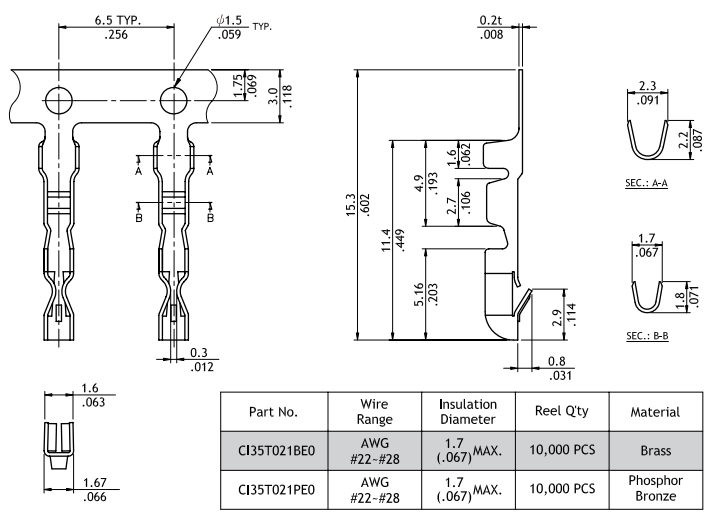
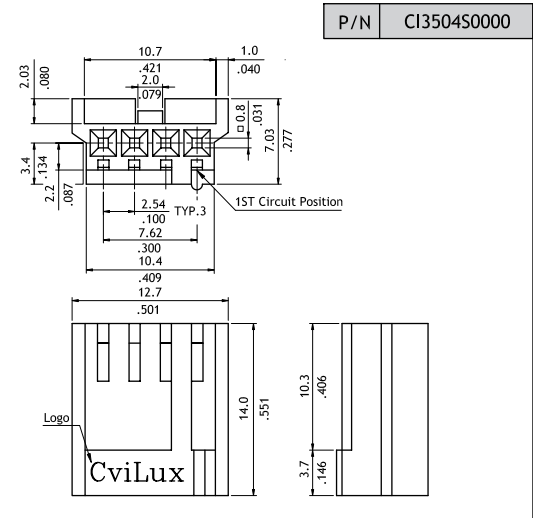
CI35 Series 2.54mm(.100") Wire to Board Connectors

- ⊙ Housing with locking Ribs
- ⊙ Header with locking wall
- ⊙ Can be used with CI35 crimp clip terminal
- ⊙ Insulator: Nylon 66 UL 94V-0, Color Nature
- ⊙ With Tin plated 0.64mm square pin
- ⊙ Terminal: Tin plated Brass, Phosphor Bronze



RoHS Compliant  

CI



WIRE TO BOARD CONNECTORS

Ordering Code

① ② ③ ④
C I 3 5 0 4 S 0 0 0 0

- ① Series No.
- ② No. of Circuits: 04
- ③ S = Housing
- ④ Other Options:
 0000 = Single Rib (Standard)
 N000 = Dual Ribs
 *Special options consult manufacturer

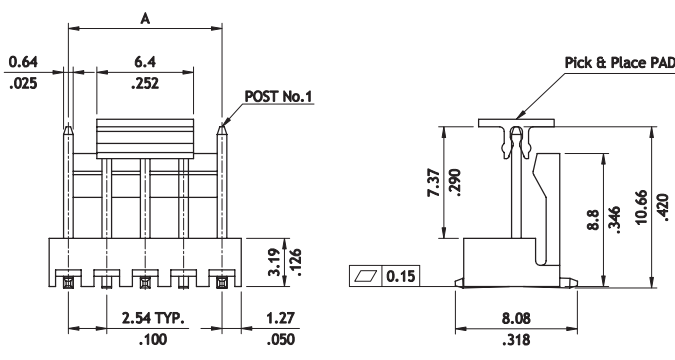
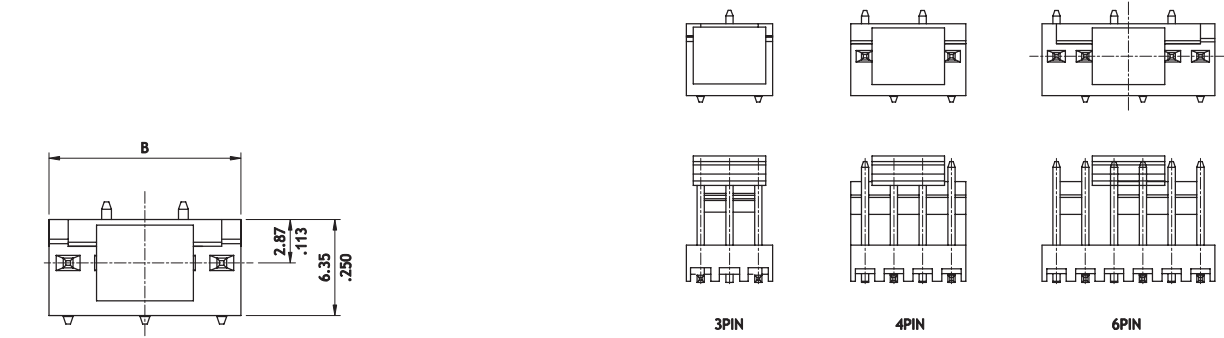
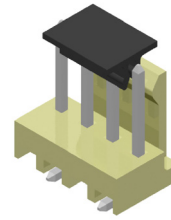
① ② ③ ④ ⑤ ⑥
C I 3 5 0 4 P 1 V 0 0

- ① Series No.
- ② No. of Circuits: 04
- ③ P = Pin Header
- ④ Plating Code: 1 = Tin over Nickel
- ⑤ Type: V = Straight ; H = Right Angle
- ⑥ Other Options: 00 = Standard
 *Special options consult manufacturer

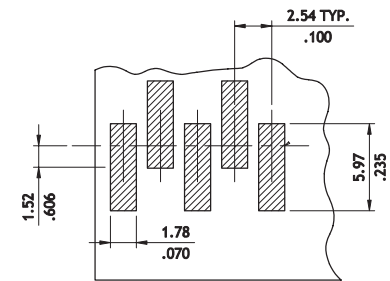
CI39 Series 2.54mm(.100") Wire to Board Connectors SMT Headers

- ⊙ Locking wall provide secure mating
- ⊙ With PAD for SMT Line pick and place machine
- ⊙ Insulator: High temperature plastic UL 94V-0, Color Nature
- ⊙ With Tin plated SMT type contact

RoHS Compliant



A = 2.54 x No. of Spaces
B = A + 2.54



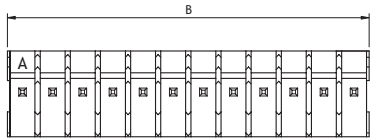
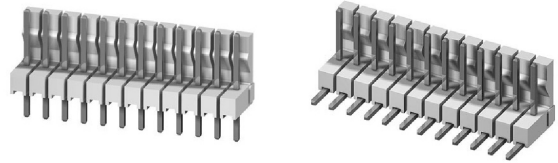
Recommended P.C. Board Layout

Ordering Code	①	②	③	④	⑤	⑥	⑦	⑧			
CI3904M1VR0-NH	C	I	39	04	M	1	V	R	0	-	NH
<p>① Series No.</p> <p>② No. of Circuits: 03 ~ 06</p> <p>③ M = SMT Type</p> <p>④ Plating Code: 1 = Matte Tin over Nickel</p>	<p>⑤ Type: V = Straight</p> <p>⑥ Packing Options: R = Tape & Reel</p> <p>⑦ Other Options: 0 = Standard</p> <p>⑧ NH = For Lead Free IR process and Halogen-Free</p>										

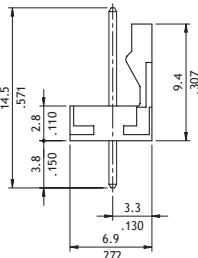
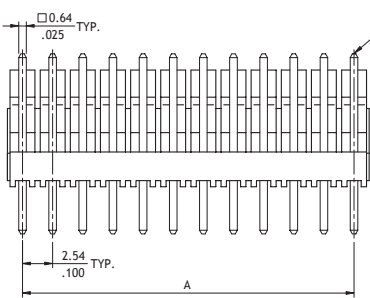
CI83 Series 2.54mm(.100") Friction Lock Breakaway Headers

- ⊙ Options with straight and right angle tails
- ⊙ Available with flat back wall for polarization
- ⊙ Mate with most of 2.54mm pitch connector in the market*
- ⊙ Insulator: Glass filled polyester UL 94V-0, Color White
- ⊙ With Tin plated 0.64mm square pin

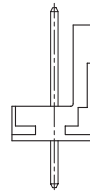
RoHS Compliant 



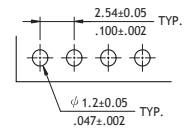
A = 2.54 x No. of Spaces
B = A + 2.54



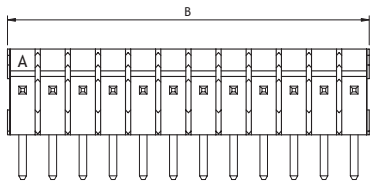
P/N: CI83**P*V00



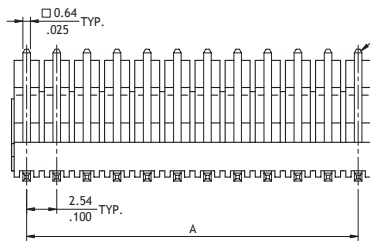
P/N: CI83**P*VOL



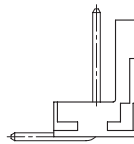
Recommended PCB Layout



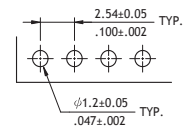
A = 2.54 x No. of Spaces
B = A + 2.54



P/N: CI83**P*H00



P/N: CI83**P*H0L



Recommended PCB Layout

Ordering Code

① ② ③ ④ ⑤ ⑥
C I 8 3 3 6 P 1 V 0 0

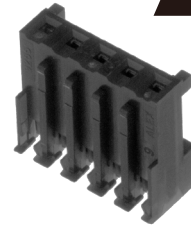
- ① Series No.
- ② No. of Circuits: 02 ~ 36
- ③ P = DIP Header
- ④ Plating Code :1 = Tin over Nickel

- ⑤ Type: V = Straight
H = Right Angle
- ⑥ Other Options:
00 = With Locking Ramp (Standard)
0L = Without Locking Ramp
*Special options consult manufacturer

CID2 Series 2.54mm(.100") IDC Type Connectors

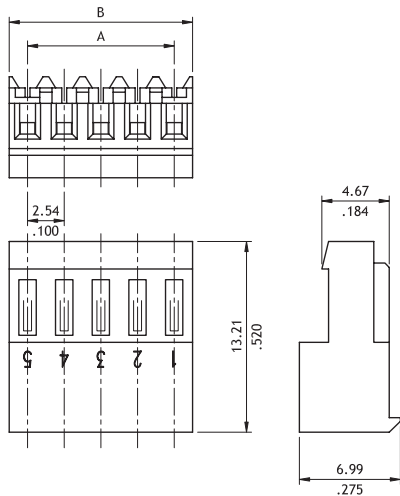
- ⊙ Terminal: Tin-plated Phosphor Bronze
- ⊙ Housing: Nylon 66 UL 94V-2
- ⊙ With or without locking ramp and polarizing tabs
- ⊙ Feed-Thru and Closed End type
- ⊙ Wire range AWG #22 ~ #28 (Flat ribbon wire)
- ⊙ Mate with CI31 Headers

NEW

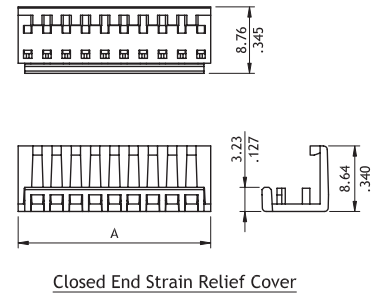
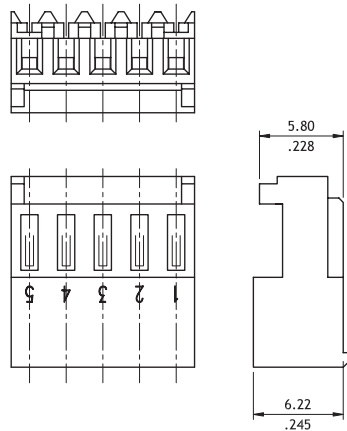


RoHS Compliant

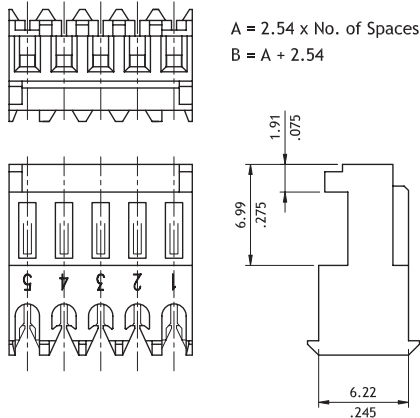
Closed End type
Without Polarizing Tabs



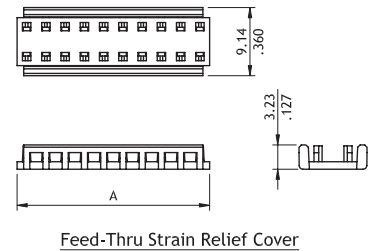
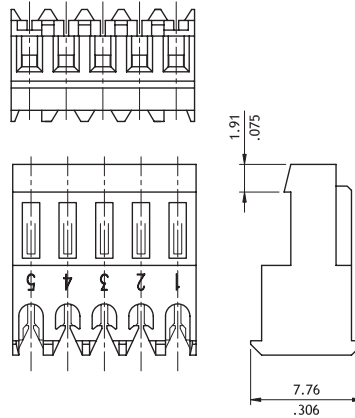
Closed End type
With Polarizing Tabs



Feed-Thru type
With Polarizing Tabs



Feed-Thru type
Without Polarizing Tabs



Ordering Code

① ② ③ ④ ⑤ ⑥ ⑦
C I D 2 2 4 S 1 A 0 0

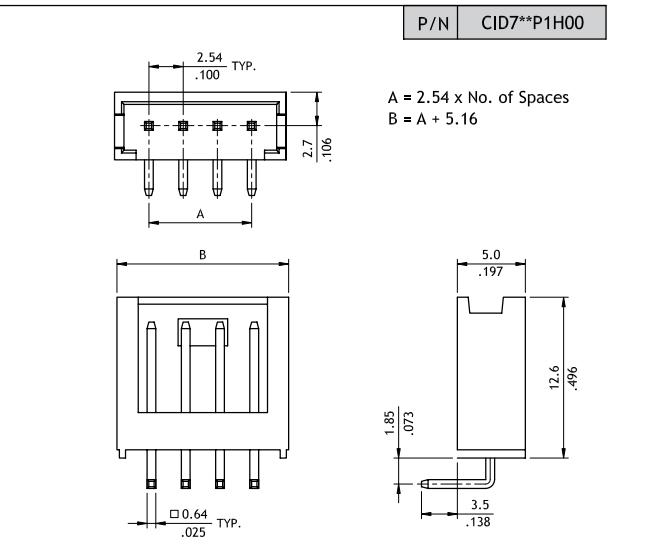
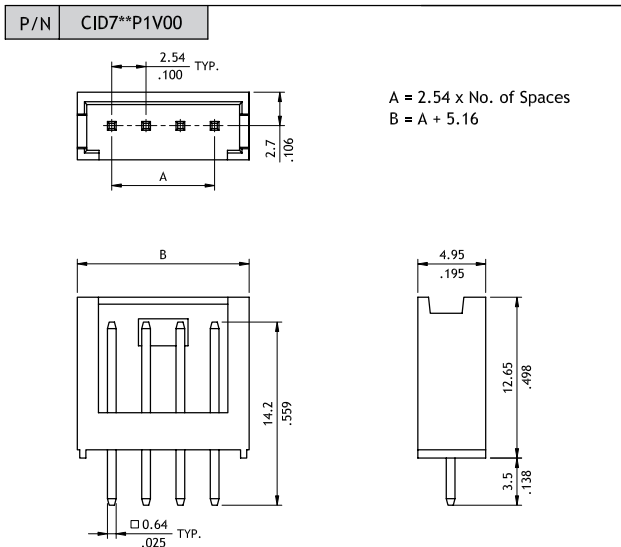
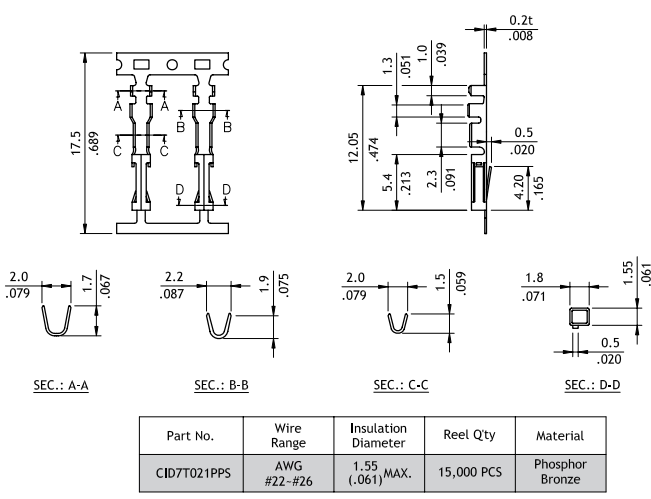
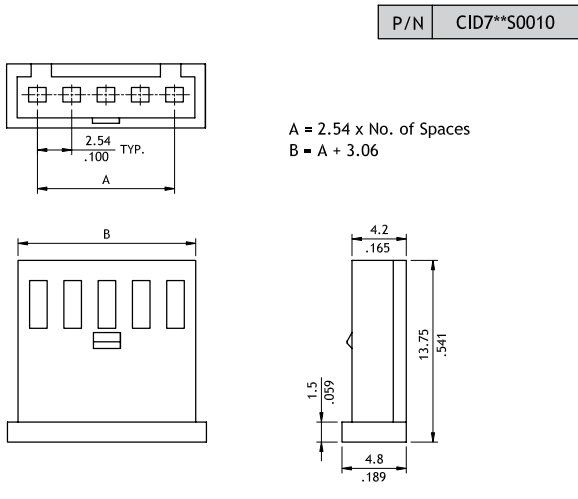
- ① Series No.
- ② No. of Circuits: 02 ~ 24
- ③ S = Housing
- ④ Plating Code: 1 = Tin over Nickel
- ⑤ Type : A = Closed End Type
B = Feed-Thru Type

- ⑥ Color Options:
0 = Color white, for AWG #24
3 = Color red, for AWG #22
6 = Color green, for AWG #28
7 = Color blue, for AWG #26
- ⑦ Other Options:
0 = W/O Polarizing Tabs
P = With Polarizing Tabs

CID7 2.54mm (.100") Wire to Board Housing / Terminal & DIP Headers

- ⊙ Box type with locking slot
- ⊙ Insulator : Glass filled polyester UL 94V-0 , color black
- ⊙ With Tin plated 0.64mm square pin

RoHS Compliant



Ordering Code

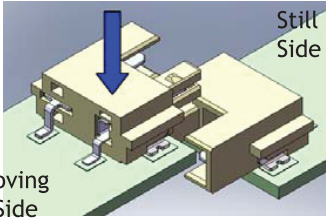
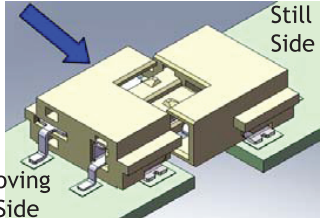
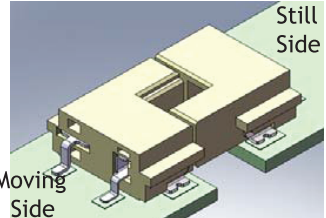
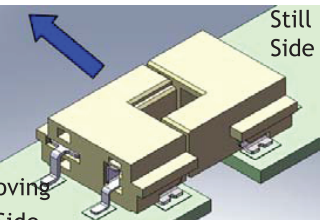
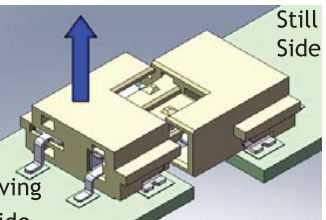
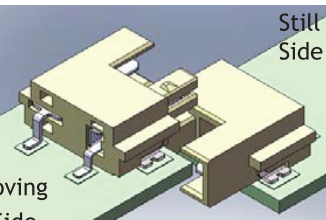
① ② ③ ④
C I D 7 1 0 S 0 0 1 0

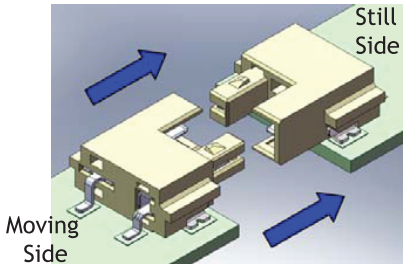
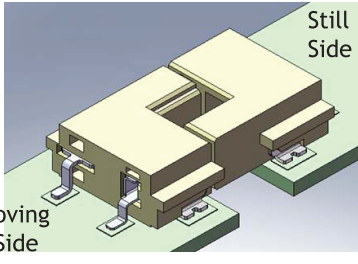
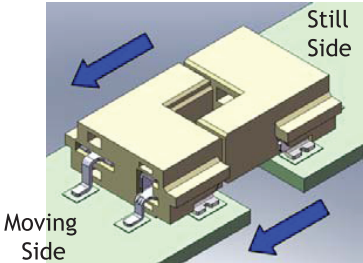
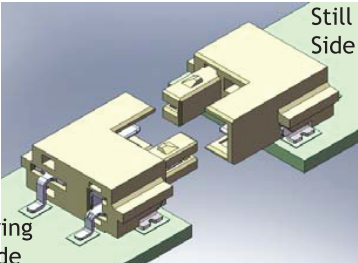
- ① Series No.
- ② No. of Circuits: 02 ~ 10
- ③ S = Housing
- ④ Other Option:
0010= Color Black (Standard)

① ② ③ ④ ⑤ ⑥
C I D 7 1 0 P 1 V 0 0

- ① Series No.
- ② No. of Circuits: 02 ~ 10
- ③ P = DIP Header
- ④ Plating Code: 1= Tin over Nickel
- ⑤ Type : V= Straight
H= Right Angle
- ⑥ Other Option: 00 = Standard

CIL1 Series 3.50mm(.138") Board to Board Connectors

Mating Option 1			
Mating	 <p>Step 1: Put the moving side vertically above the still side. Then, move it downward.</p>	 <p>Step 2: Push the moving side horizontally into the still side.</p>	 <p>Step 3: Done</p>
Unmating	 <p>Step 1: Push out the moving side horizontally from the still side.</p>	 <p>Step 2: Rise the moving side vertically after it separated from the still side.</p>	 <p>Step 3: Done</p>

Mating Option 2		
Mating	 <p>Step 1: Push in the moving side into the still side horizontally the still side.</p>	 <p>Step 2: Done</p>
Unmating	 <p>Step 1: Push out the moving side horizontally from the still side.</p>	 <p>Step 2: Done</p>

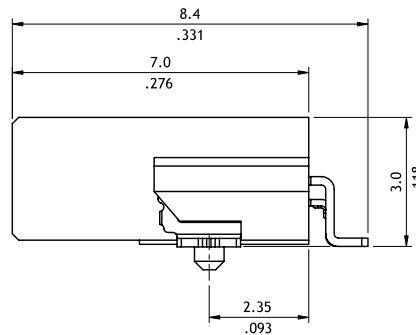
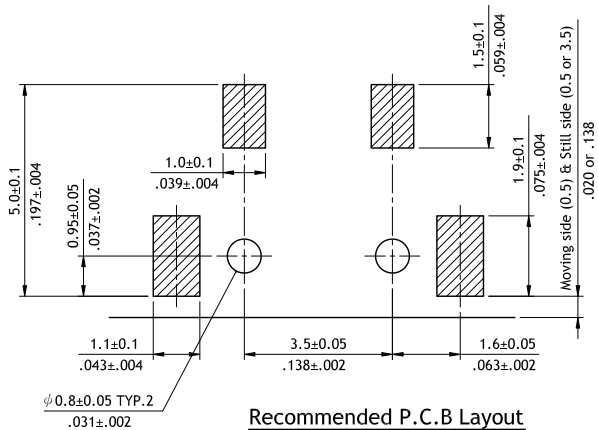
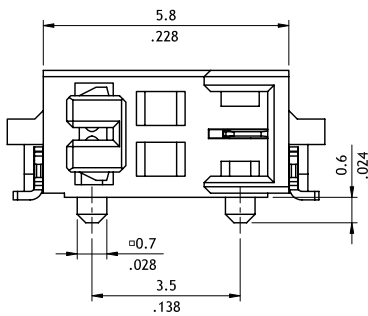
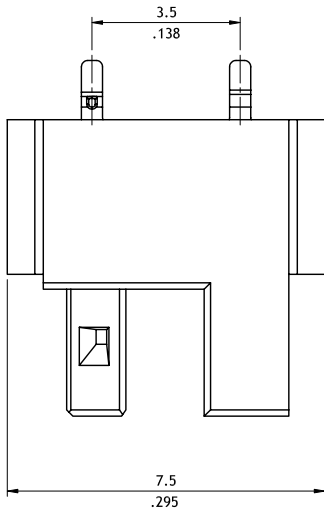
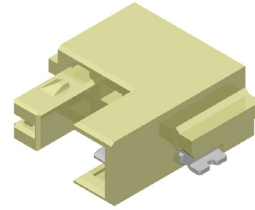
CI

WIRE TO BOARD CONNECTORS

CIL1 Series 3.50mm(.138") Board to Board Connectors

- Ⓞ Simplify manufacturing procedure
- Ⓞ Reduce the Cost
- Ⓞ Insulator: High temperature plastic UL 94V-0

RoHS Compliant   



Ordering Code

① ② ③ ④ ⑤ ⑥ ⑦ ⑧
C I L 1 0 2 M 1 H R 0 - N H

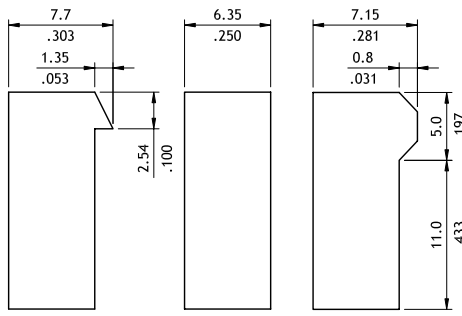
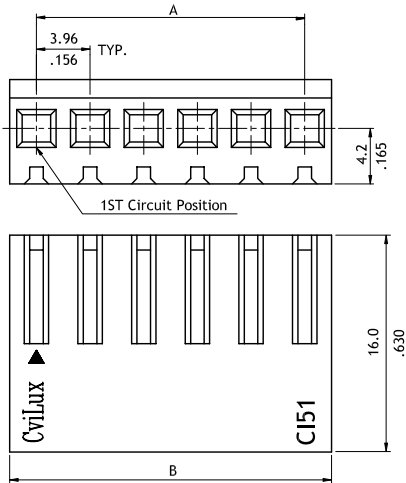
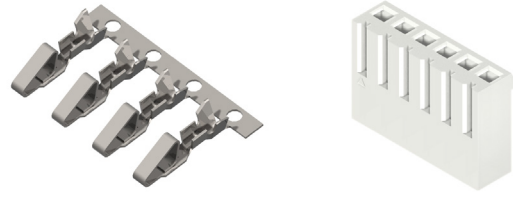
- ① Series No.
- ② No. of Circuits: 02
- ③ M = SMT Type
- ④ Plating Code :1 = Matte Tin over Nickel
- ⑤ Type: H = Side Entry

- ⑥ Packing Options:
R = Tape & Reel
- ⑦ Other Options:
0 = Standard
- ⑧ NH = For Lead Free IR process and Halogen-Free

CI51 Series 3.96mm(.156") Wire to Board Connectors Housing & Terminal

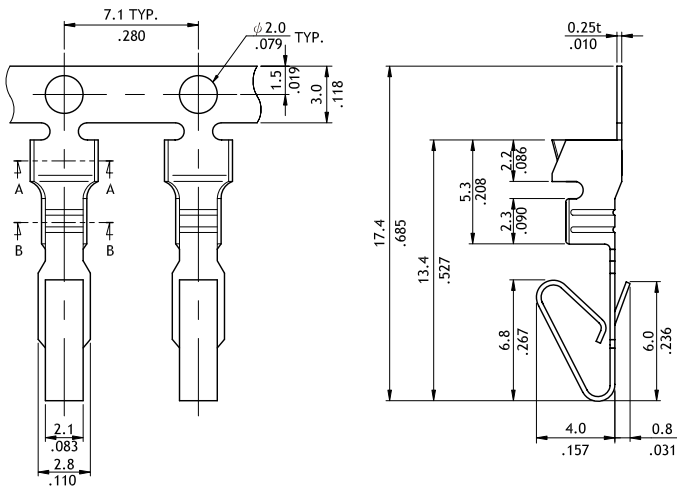
- ⊙ With locking ramp
- ⊙ Mate with CI51, CI77 Header
- ⊙ Can be used with CI51 crimp clip terminal
- ⊙ Insulator: Nylon 66 UL 94V-2, Color Nature
- ⊙ Terminal: Tin plated Phosphor Bronze

RoHS Compliant

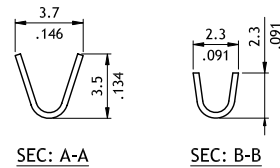


Circuits	Dimension	
	A	B
2	3.96(.156)	8.0(.315)
3	7.92(.312)	12.0(.472)
4	11.88(.468)	15.9(.626)
5	15.84(.624)	19.9(.783)
6	19.80(.780)	23.9(.941)
7	23.76(.935)	28.0(1.102)
8	27.72(1.091)	32.0(1.260)
9	31.68(1.247)	35.9(1.413)
10	35.64(1.403)	39.9(1.571)
11	39.60(1.559)	43.9(1.728)
12	43.56(1.715)	47.8(1.882)
13	47.52(1.871)	51.8(2.039)
14	51.48(2.027)	55.7(2.193)
15	55.44(2.183)	59.7(2.350)
16	59.40(2.339)	63.7(2.508)
17	63.36(2.494)	67.6(2.661)
18	67.32(2.650)	71.6(2.819)
19	71.28(2.806)	75.5(2.972)
20	75.24(2.962)	79.5(3.130)

P/N:CI51**S0000 P/N:CI51**S000R P/N:CI51**S00DR



Wire Range	Insulation	Reel Qty
AWG #18-#24	2.10 (.083) MAX.	5,000 PCS



Ordering Code

① C ② 15 ③ 1 ④ 20 S ⑤ 0 0 0 0

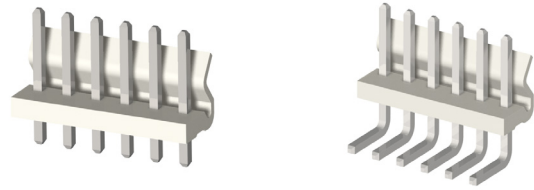
- ① Series No.
- ② No. of Circuits: 02 ~ 20
- ③ S = Housing
- ④ Other Options:
0000 = With Locking Ramp (Standard)
000R = Without Locking Ramp
00DR = Low force Locking Ramp
*Special options consult manufacturer

① C ② 15 ③ 1 ④ T 0 3 ⑤ 1 P E 0

- ① Series No.
- ② Type: T03 = AWG #18 ~ #24
- ③ Plating Code: 1 = Tin over Nickel
- ④ Material: P = Phosphor Bronze
- ⑤ Other Options: E0 = Standard

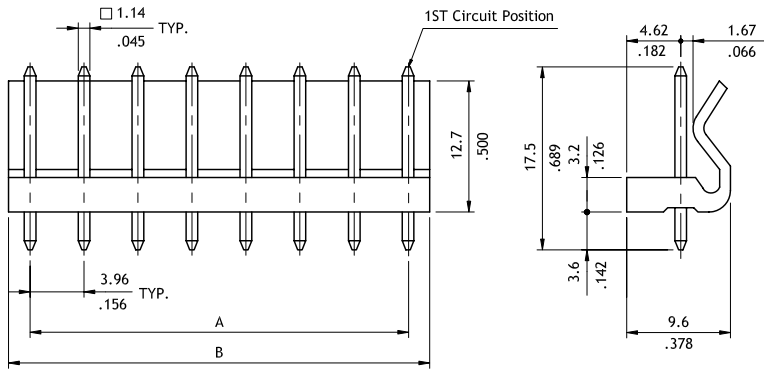
CI51 Series 3.96mm(.156") Wire to Board Connectors DIP Headers

- ⊙ With locking wall
- ⊙ Mate with CI51 Housing
- ⊙ Insulator: Nylon 66 UL 94V-2, Color Nature
- ⊙ With Tin plated 1.14mm square pin

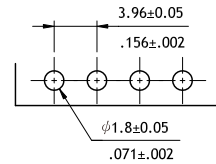
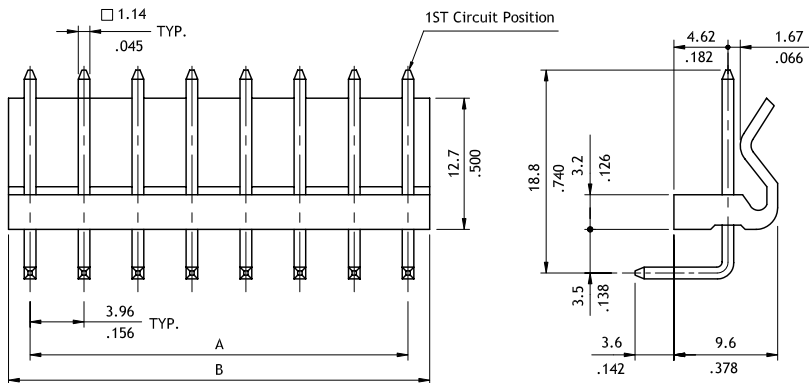


RoHS Compliant  

CI



Circuits	Dimension	
	A	B
2	3.96(.156)	7.92(.312)
3	7.92(.312)	11.88(.468)
4	11.88(.468)	15.84(.624)
5	15.84(.624)	19.8(.780)
6	19.80(.780)	23.76(.935)
7	23.76(.935)	27.72(1.091)
8	27.72(1.091)	31.68(1.247)
9	31.68(1.247)	35.64(1.403)
10	35.64(1.403)	39.6(1.559)
11	39.60(1.559)	43.56(1.715)
12	43.56(1.715)	47.52(1.871)
13	47.52(1.871)	51.48(2.027)
14	51.48(2.027)	55.44(2.183)
15	55.44(2.183)	59.4(2.339)
16	59.40(2.339)	63.36(2.494)
17	63.36(2.494)	67.32(2.650)
18	67.32(2.650)	71.28(2.806)
19	71.28(2.806)	75.24(2.962)
20	75.24(2.962)	79.2(3.118)



Recommended P.C. Board Layout

Ordering Code

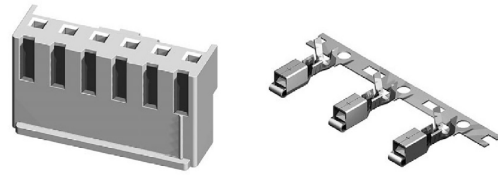
① ② ③ ④ ⑤ ⑥
C I 5 1 2 0 P 1 V 0 0

- ① Series No.
 - ② No. of Circuits: 02 ~ 20
 - ③ P = DIP Header
 - ④ Plating Code :1 = Tin over Nickel
 - ⑤ Type: V = Straight , H = Right Angle
 - ⑥ Other Options : 00 = Standard
- *Special options consult manufacturer

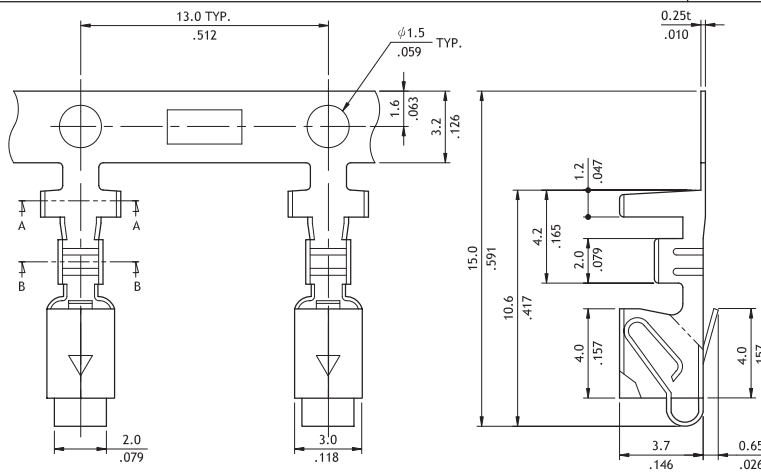
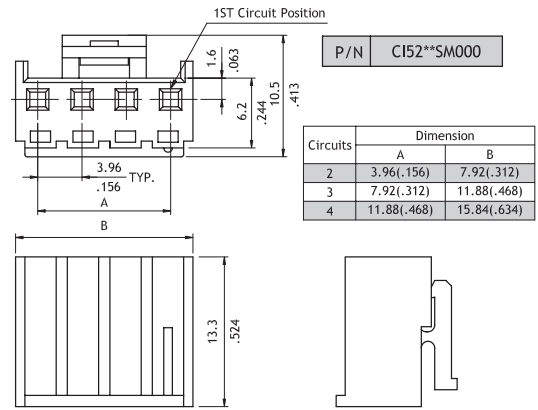
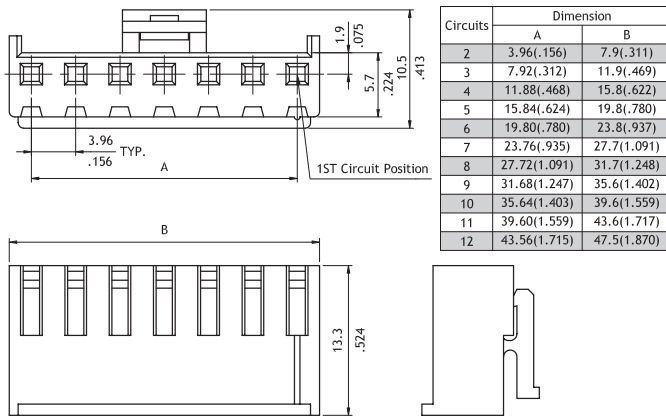
WIRE TO BOARD CONNECTORS

CI52 Series 3.96mm(.156") Wire to Board Connectors Housing & Terminal

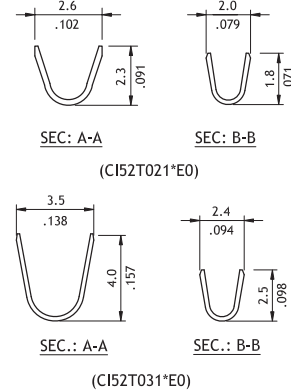
- ⊙ With locking latch
- ⊙ Mate with CI52 header
- ⊙ Can be used with CI52 crimp clip terminal
- ⊙ Insulator: Nylon 66 UL 94V-0 , Color Nature
- ⊙ Terminal: Tin plated Brass or Phosphor Bornze



RoHS Compliant



Part No.	Wire Range	Insulation Diameter	Reel Q'ty
CI52T021*E0	AWG #22-#28	1.90 (.075) MAX.	3,500 PCS
CI52T031*E0	AWG #18-#22	2.70 (.106) MAX.	3,500 PCS



Ordering Code

① C ② 15 ③ 2 ④ 12 S ⑤ 0000

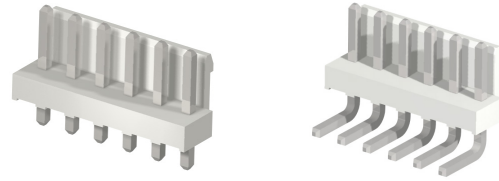
① C ② 15 ③ 2 ④ T03 ⑤ 1 B E0

- ① Series No.
- ② No. of Circuits: 02 ~ 12
- ③ S = Housing
- ④ Other Options:
0000 = Standard
M000 = Special Type
*Special options consult manufacturer

- ① Series No.
- ② Type: T02 = AWG #22 ~ #28
T03 = AWG #18 ~ #22
- ③ Plating Code: 1 = Tin over Nickel
- ④ Material: B = Brass ; P = Phosphor Bronze
- ⑤ Other Options: E0 = Standard

CI52 Series 3.96mm(.156") Wire to Board Connectors DIP Headers

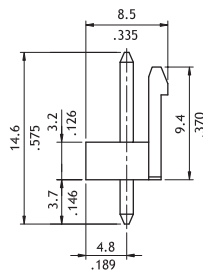
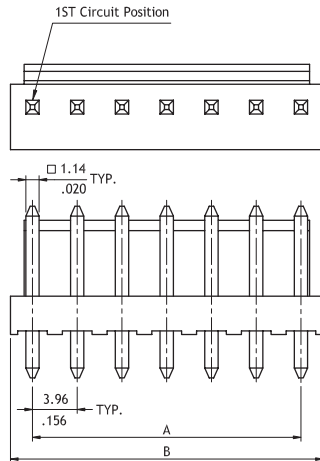
- ⊙ With locking wall
- ⊙ Mate with CI52 Housing
- ⊙ Insulator: Polyamide UL 94V-0, Color Nature
- ⊙ With Tin plated 1.14mm square pin



RoHS Compliant

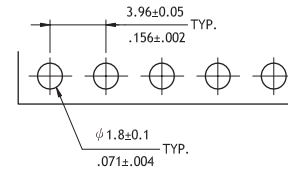
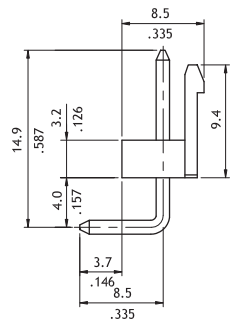
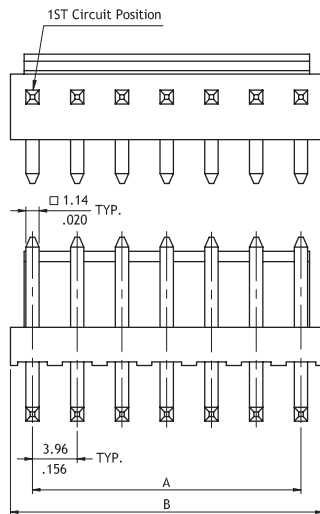


P/N CI52**P1V00-NH



Circuits	Dimension	
	A	B
2	3.96(.156)	7.8(.307)
3	7.92(.312)	11.8(.465)
4	11.88(.468)	15.8(.622)
5	15.84(.624)	19.7(.776)
6	19.80(.780)	23.7(.933)
7	23.76(.936)	27.6(1.087)
8	27.72(1.091)	31.6(1.244)
9	31.68(1.247)	35.5(1.398)
10	35.64(1.403)	39.5(1.555)
11	39.60(1.559)	43.5(1.713)
12	43.56(1.715)	47.4(1.866)
13	47.52(1.871)	51.4(2.024)

P/N CI52**P1H00-NH



Recommended P.C. Board Layout

Ordering Code

① ② ③ ④ ⑤ ⑥ ⑦
C I 5 2 1 3 P 1 V 0 0 - N H

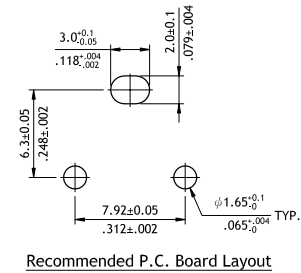
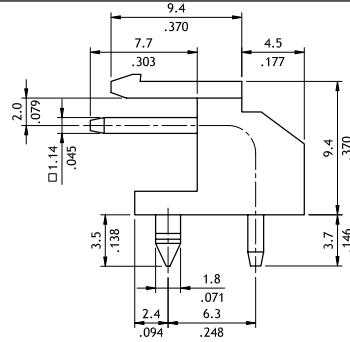
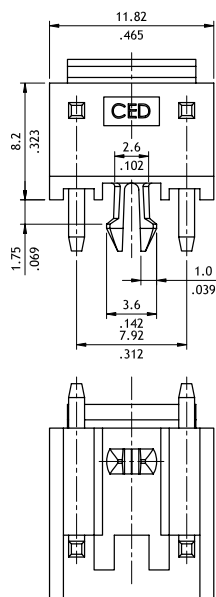
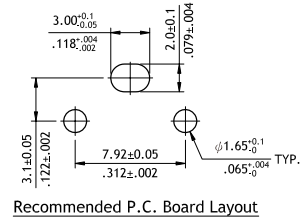
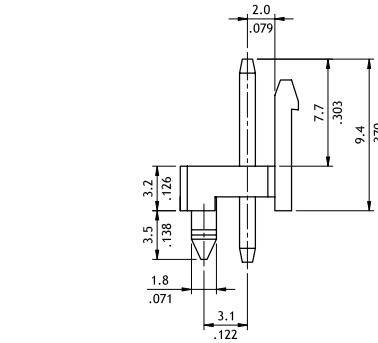
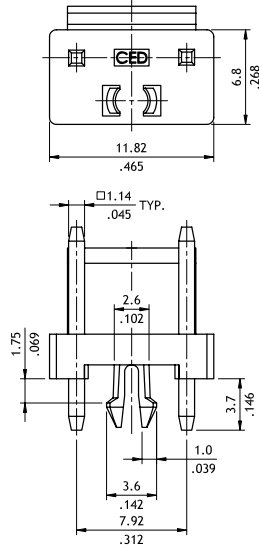
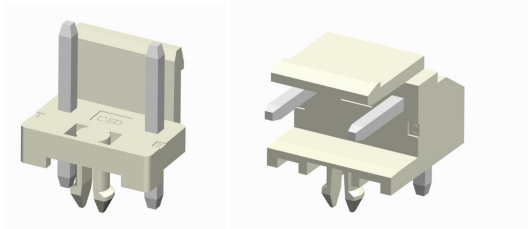
- ① Series No.
- ② No. of Circuits: 02 ~ 13
- ③ P = DIP Header
- ④ Plating Code: 1 = Tin over Nickel
- ⑤ Type: V = Straight
H = Right Angle

- ⑥ Other Options:
00 = Standard
*Special options consult manufacturer
- ⑦ NH = For Lead Free Soldering process and Halogen-Free

CI52 Series 7.92mm(.312") Wire to Board Connectors DIP Headers

- Ⓞ With locking wall
- Ⓞ Mate with CI52 Housing
- Ⓞ Insulator: Polyamide UL 94V-0, Color Nature
- Ⓞ With Tin plated 1.14mm Square pin

RoHS Compliant



Ordering Code

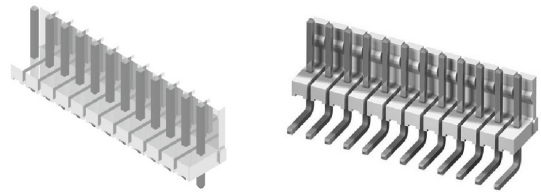
① ② ③ ④ ⑤ ⑥
C I 5 2 0 2 P 1 V D 0

- ① Series No.
- ② No. of Circuits: 02
- ③ P = Pin Header
- ④ Plating Code: 1 = Matte Tin over Nickel

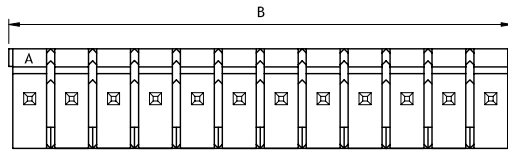
- ⑤ Type: V = Straight
H = Right Angle
- ⑥ Other Options:
D0 = With Plastic Board Lock

CI82 Series 3.96mm(.156") Friction Lock Breakway Headers

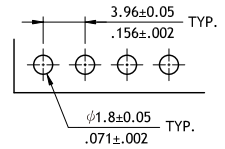
- ⊙ Options with straight and right angle tails
- ⊙ Available with flat back wall for polarization
- ⊙ Mate with most of 3.96mm pitch connector in the market
- ⊙ Insulator: Glass filled polyester UL 94V-0, Color White
- ⊙ With Tin plated 1.14mm square pin



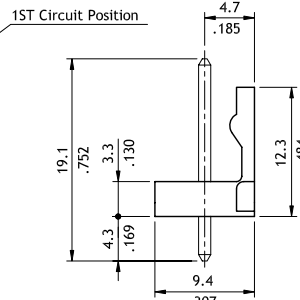
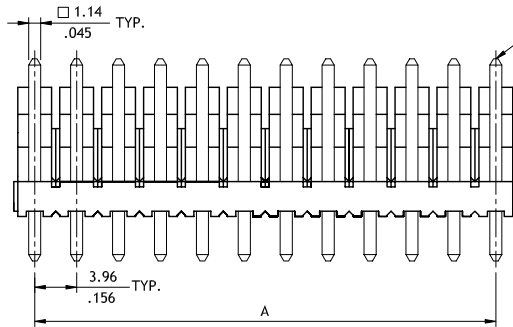
RoHS Compliant



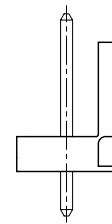
$A = 3.96 \times \text{No. of Spaces}$
 $B = A + 3.96$



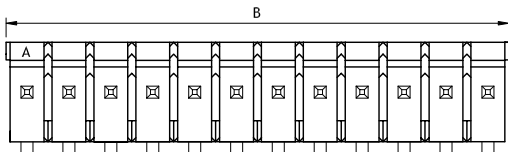
Recommended P.C. Board Layout



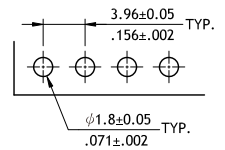
P/N: CI82**P*V00



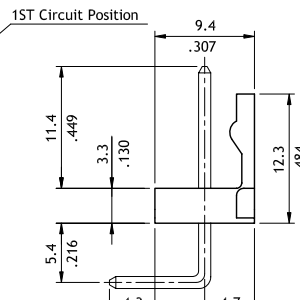
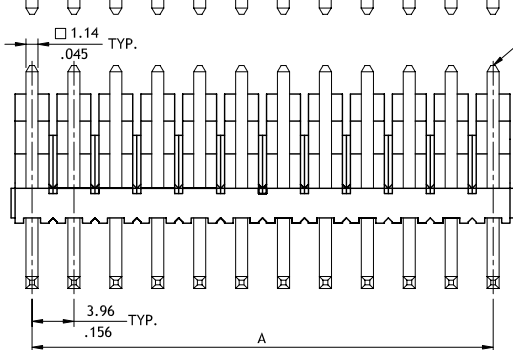
P/N: CI82**P*V00L



$A = 3.96 \times \text{No. of Spaces}$
 $B = A + 3.96$



Recommended P.C. Board Layout



P/N: CI82**P*H00

P/N: CI82**P*H0L

Ordering Code

① ② ③ ④ ⑤ ⑥
C I 8 2 2 4 P 1 V 0 0

- ① Series No.
- ② No. of Circuits: 02 ~ 24
- ③ P = DIP Header
- ④ Plating Code :1 = Tin over Nickel

- ⑤ Type: V = Straight
 H = Right Angle
- ⑥ Other Options:
 00 = With Locking Ramp (Standard)
 0L = Without Locking Ramp
 *Special options consult manufacturer

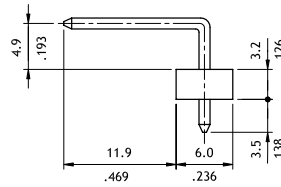
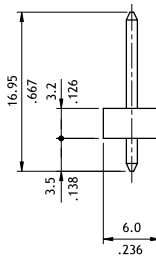
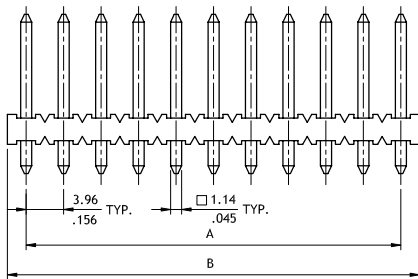
CI77/CI78 Series 3.96mm(.156") / 5.00mm(.196") Breakaway Pin Headers

- ⊙ Mate with CI51 and CID3 Connector
- ⊙ Available straight and right angle type
- ⊙ Options plating available
- ⊙ Insulator: Glass filled polyester UL 94V-0, Color White
- ⊙ With Tin plated 1.14mm square pin

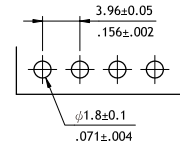


RoHS Compliant

P/N CI77**P1*00

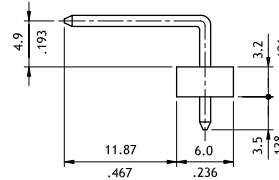
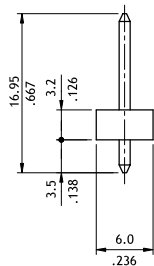
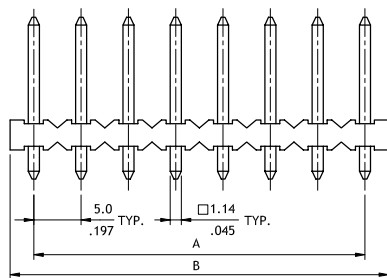


A = 3.96 x No. of Spaces
B = A + 3.96

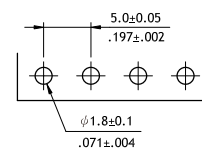


Recommended P.C. Board Layout

P/N CI78**P1*00



A = 5.0 x No. of Spaces
B = A + 5.0



Recommended P.C. Board Layout

Ordering Code

① ② ③ ④ ⑤ ⑥
C I 7 7 2 0 P 1 V 0 0

- ① Series No.
CI77 = 3.96mm center spacing
CI78 = 5.00mm center spacing
- ② No. of Circuits: 02 ~ 20
- ③ P = DIP Header
- ④ Plating Code: 1 = Tin over Nickel

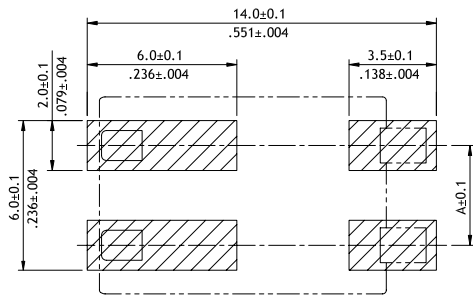
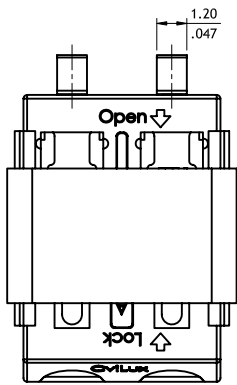
- ⑤ Type: V = Straight , H = Right Angle
- ⑥ Other Options:
00 = Standard
*Special options consult manufacturer

CID1 Series 4.00mm(.157") Wire to Board SMT Headers

- ⊙ Surface mount terminal strips with connection
- ⊙ Direct push-in of solid conductors
- ⊙ A total height of only 3.2mm helps minimize shadowing in LED application:
- ⊙ Packaged in tape-and-reel for automated SMT processes
- ⊙ Wiring ports with balcony design – creates "lead-in" for ease of wiring, even at a slight angle

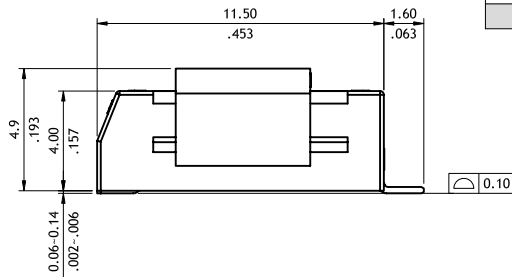
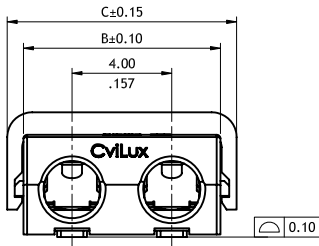


RoHS Compliant



Recommended P.C. Board Layout

Circuits	Dimension		
	A	B	C
1	-	3.9(.154)	5.2(.205)
2	4.0(.157)	7.9(.311)	9.2(.362)
3	8.0(.315)	11.9(.469)	13.2(.520)



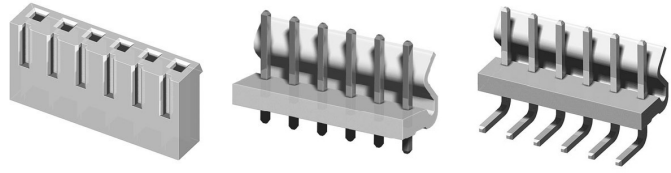
Ordering Code

① ② ③ ④ ⑤ ⑥ ⑦
C I D 1 0 3 M 1 H R A - N H

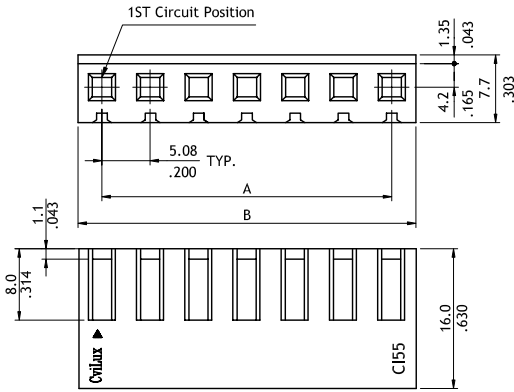
- ① Series No.
- ② No. of Circuits: 01~03
- ③ M = SMT Type
- ④ Plating Code: 1 = Matte Tin over Nickel
- ⑤ Type : H = Side Entry
- ⑥ Packing Option : RA = Reel Packing
- ⑦ NH = For Lead Free IR Process and Halogen-Free

CI55 Series 5.08mm(.200") Wire to Board Header & Housing Connectors

- ⊙ Housing with locking ramp
- ⊙ Header with locking wall
- ⊙ Can be used with CI51 crimp clip terminal
- ⊙ Insulator: Nylon 66 UL 94V-2, Color Nature
- ⊙ With Tin plated 1.14mm square pin
- ⊙ Terminal: Tin plated Brass



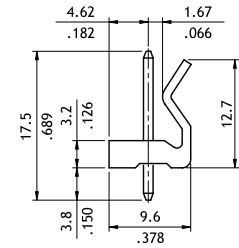
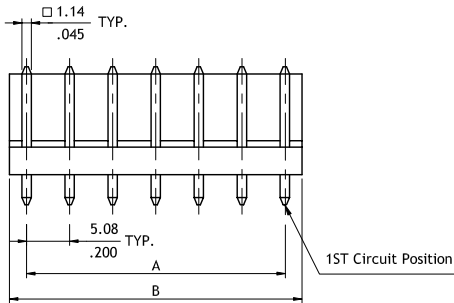
RoHS Compliant



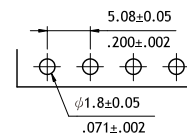
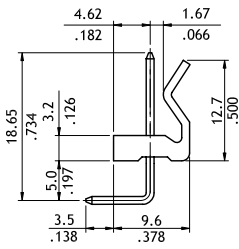
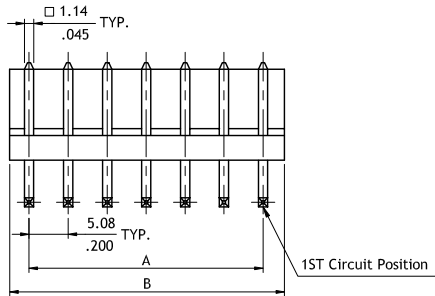
P/N:CI55**S0000

P/N:CI55**S000R

Circuits	Dimension	
	A	B
2	5.08(.200)	10.08(.397)
3	10.16(.400)	15.16(.597)
4	15.24(.600)	20.24(.797)
5	20.32(.800)	25.32(.997)
6	25.40(1.00)	30.40(1.197)
7	30.48(1.20)	35.48(1.397)
8	35.56(1.40)	40.56(1.597)
9	40.64(1.60)	45.64(1.797)
10	45.72(1.80)	50.72(1.997)



Circuits	Dimension	
	A	B
2	5.08(.200)	10.08(.397)
3	10.16(.400)	15.16(.597)
4	15.24(.600)	20.24(.797)
5	20.32(.800)	25.32(.997)
6	25.40(1.000)	30.40(1.197)
7	30.48(1.200)	35.48(1.397)
8	35.56(1.400)	40.56(1.597)
9	40.64(1.600)	45.64(1.797)
10	45.72(1.800)	50.72(1.997)



Recommended P.C. Board Layout

Ordering Code

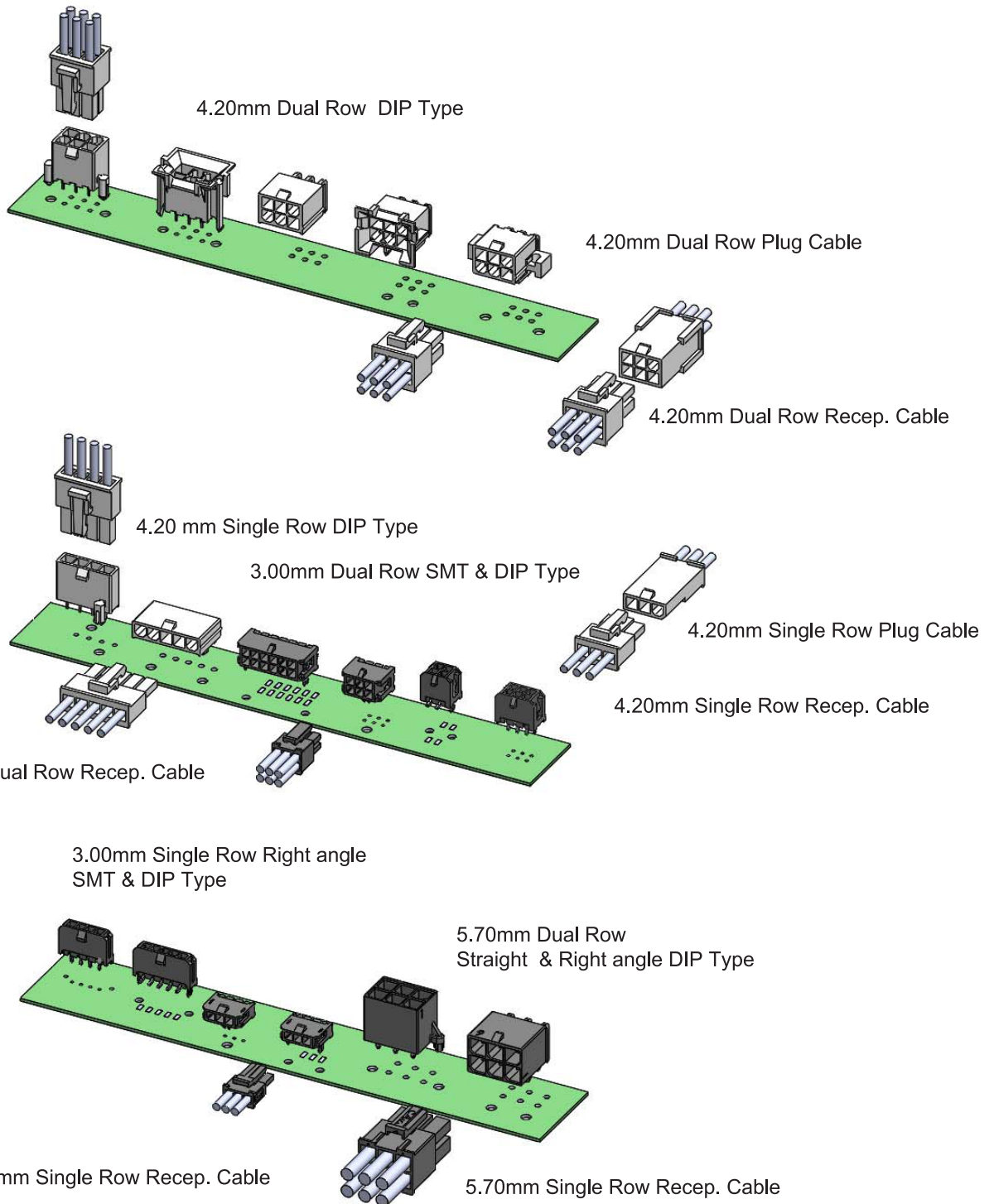
① C ② 15 ③ S ④ 0 0 0 0

- ① Series No.
- ② No. of Circuits: 02 ~ 10
- ③ S = Housing
- ④ Other Options:
0000 = Standard
000R = Without Locking Ramp
*Special options consult manufacturer

① C ② 15 ③ P ④ 1 ⑤ V ⑥ 0 0

- ① Series No
- ② No. of Circuits: 02 ~ 10
- ③ P = DIP Header
- ④ Plating Code: 1 = Tin over Nickel
- ⑤ Type: V = Straight ; H = Right Angle
- ⑥ Other Options: 00 = Standard
*Special options consult manufacturer

Connection Combinations of Power Connectors



CP

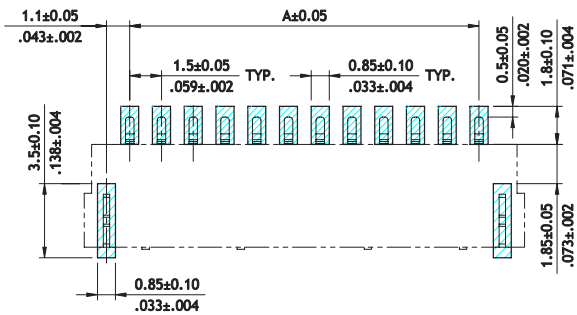
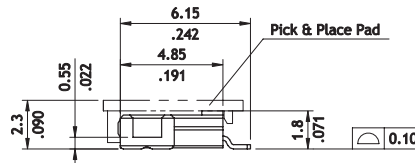
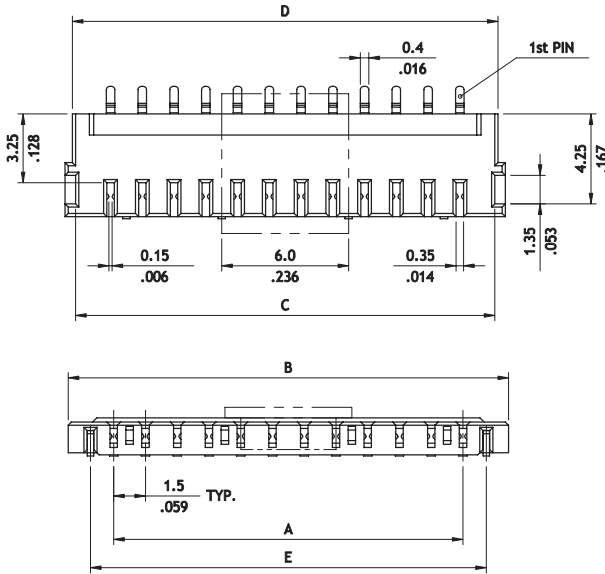
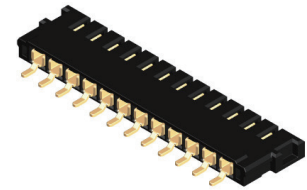
POWER CONNECTORS

CP75 Series 1.50mm (.059) Board to Board Receptacle Connectors

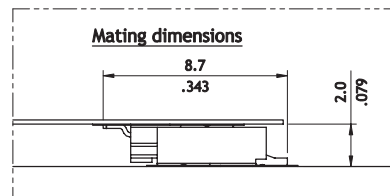
- ⓪ Locking slots provide secure mating
- ⓪ Fixed tabs provide PCB hold-down and strain-relief for SMT tails
- ⓪ Insulator: High Temperature plastic UL94V-0, Color Black
- ⓪ Mate with CP75 plug connector

NEW

RoHS Compliant



Recommended P.C. Board Layout



Circuits	Dimension				
	A	B	C	D	E
10	13.5(.531)	17.8(.701)	16.8(.661)	17.1(.673)	15.7(.618)
12	16.5(.650)	20.8(.819)	19.8(.780)	20.1(.791)	18.7(.736)

Ordering Code

① ② ③ ④ ⑤ ⑥ ⑦
CP75 10 M E S R0 - NH

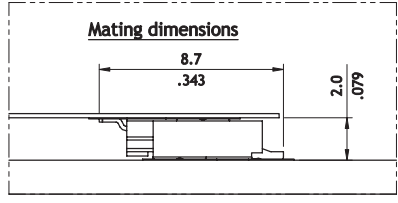
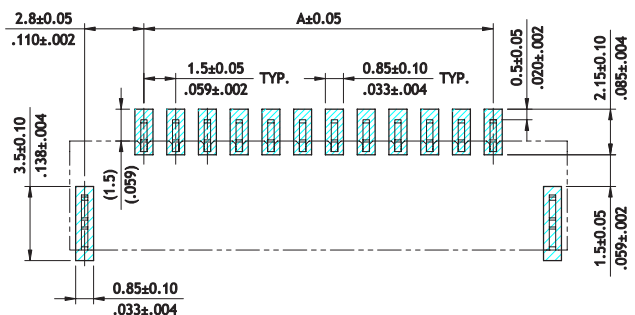
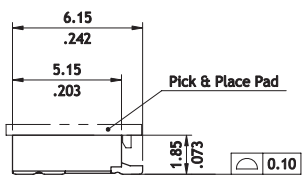
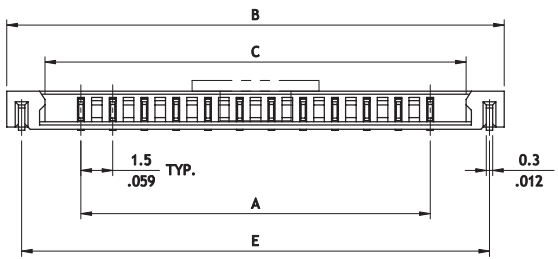
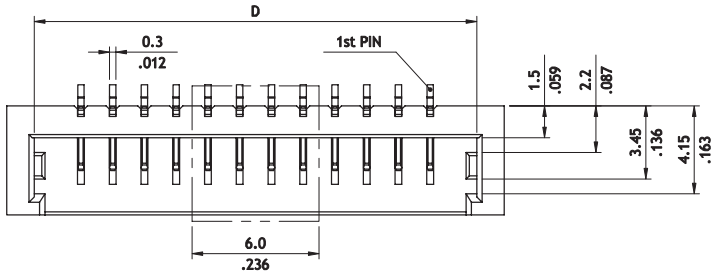
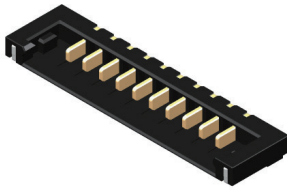
- ① Series No.
- ② No. of Circuits: 10, 12
- ③ M = SMT Type
- ④ Plating Code:
 E = Contact: 10µ" Gold plated over Nickel
 Soldertails: Gold flash plated over Nickel
 G = Contact: 30µ" Gold plated over Nickel
 Soldertails: Gold flash plated over Nickel
- ⑤ Type: S = Receptacle
- ⑥ Packing Option : R0 = Tape & Reel packing
- ⑦ NH= For Lead Free soldering process and Halogen-Free

CP75 Series 1.50mm (.059) Board to Board Plug Connectors

- Ⓞ Locking slots provide secure mating
- Ⓞ Fixed tabs provide PCB hold-down and strain-relief for SMT tails
- Ⓞ Insulator: High Temperature plastic UL94V-0, Color Black
- Ⓞ Mate with CP75 receptacle connector



RoHS Compliant



Recommended P.C. Board Layout

Circuits	Dimension				
	A	B	C	D	E
10	13.5(.531)	20.5(.807)	16.9(.665)	17.9(.705)	19.1(.752)
12	16.5(.650)	23.5(.925)	19.9(.783)	20.9(.823)	22.1(.870)

Ordering Code

① ② ③ ④ ⑤ ⑥ ⑦
CP75 10 M E P R0 - NH

- ① Series No.
- ② No. of Circuits: 10, 12
- ③ M = SMT Type
- ④ Plating Code:
 E = Contact: 10µ" Gold plated over Nickel
 Solder tails: Gold flash plated over Nickel
 G = Contact: 30µ" Gold plated over Nickel
 Solder tails: Gold flash plated over Nickel
- ⑤ Type: P = Plug
- ⑥ Packing Option : R0 = Tape & Reel packing
- ⑦ NH= For Lead Free soldering process and Halogen-Free

CP

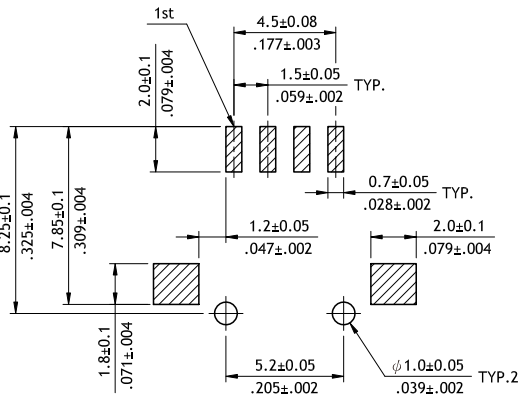
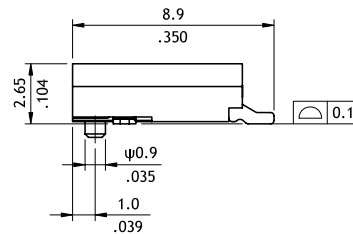
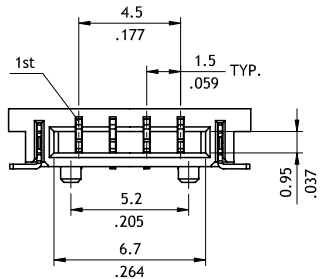
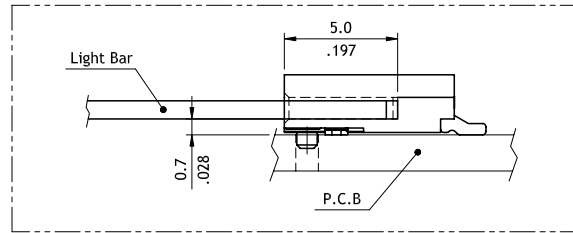
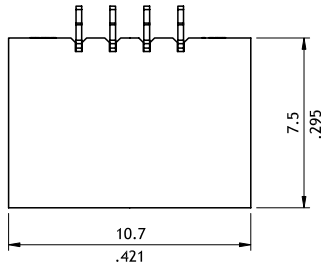
POWER CONNECTORS

CP14 Series 1.50mm(.059") Single Row Side Entry SMT Headers

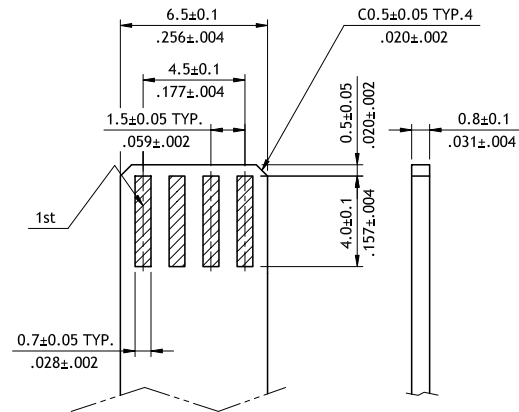
- ⊙ Simplify manufacturing procedure
- ⊙ Reduce the Cost
- ⊙ FPC zero insertion force and high holding force
- ⊙ Insulation: High temperature plastic UL 94V-0, Color Black
- ⊙ With metal fixed tabs to secure connector in place



RoHS Compliant



Recommended Connector PCB Layout



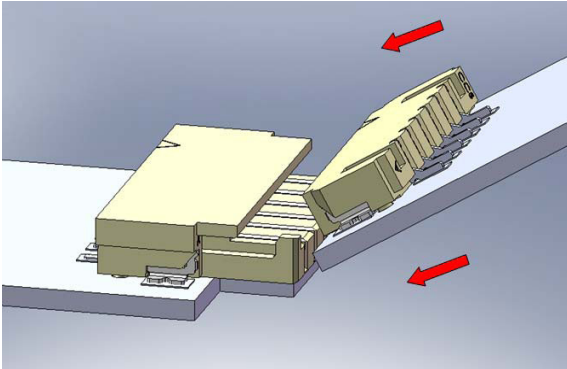
Recommended Light Bar PCB Layout

Ordering Code

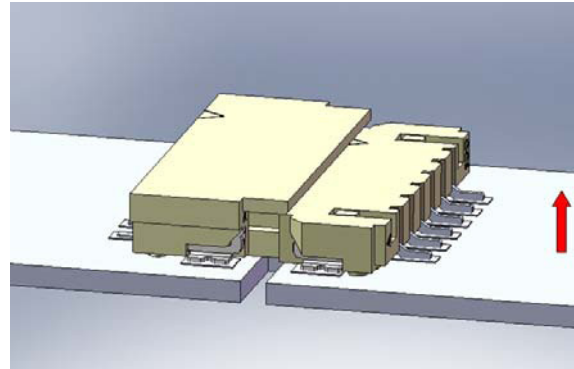
① ② ③ ④ ⑤ ⑥ ⑦ ⑧
CP 1 4 0 4 M 1 H R B - NH

- ① Series No.
- ② No. of Circuits: 4
*Circuits not found above, please consult manufacturer
- ③ M = SMT Type
- ④ Plating Code : 1 = Matte Tin over Nickel
- ⑤ Type: H = Side Entry
- ⑥ Packing Options: R = Tape & Reel
- ⑦ Other Options: B = Upside Contact
- ⑧ NH = For Lead Free soldering process and Halogen-Free

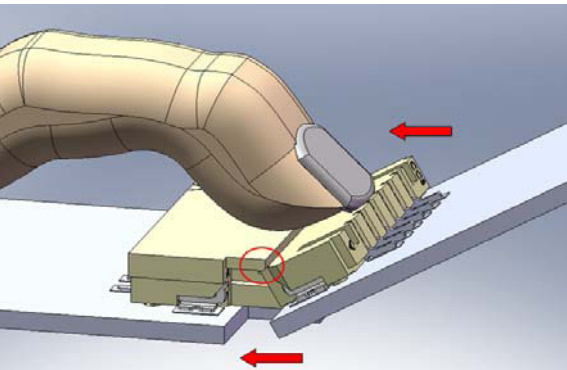
CP15 Series 1.50mm(.069") SMT Headers



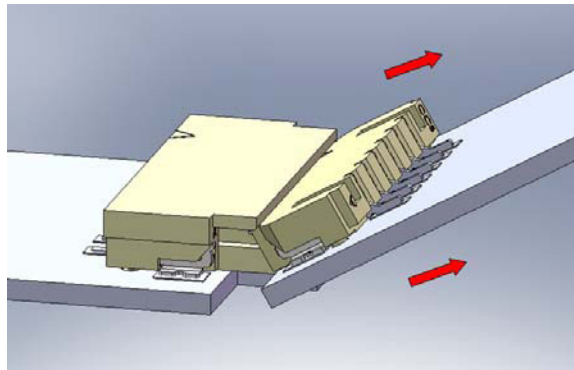
Step 1:
The male header should be tilted during insertion.



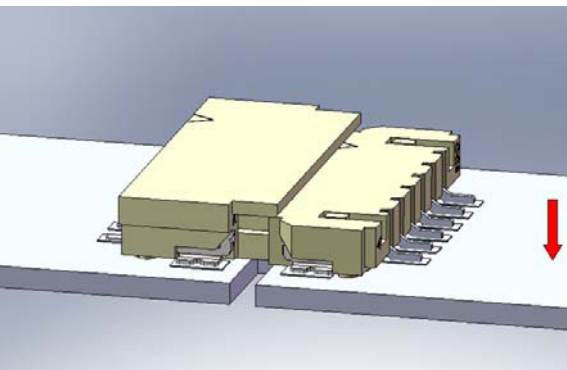
Step 1:
Lift the male header up at 30°~60°.



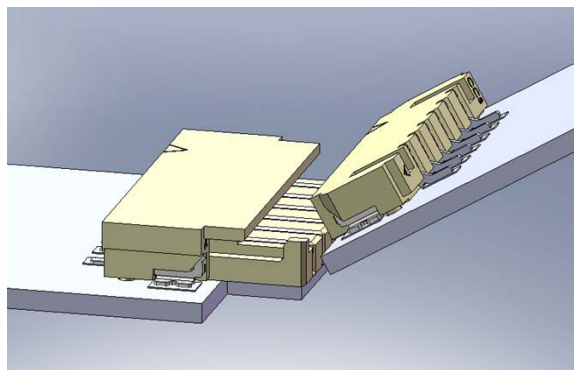
Step 2:
Push the male header to the end. Make sure the male header is under the rib of female header by finger.



Step 2:
Remove male header at an angle to finish the disconnection.



Step 3:
Press down the male header down vertically to finish the connection.



Step 3:
Finish

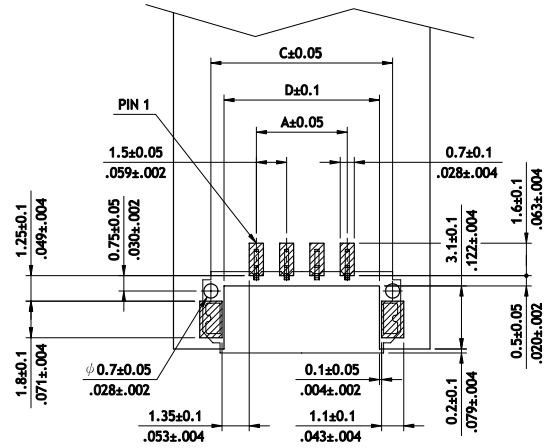
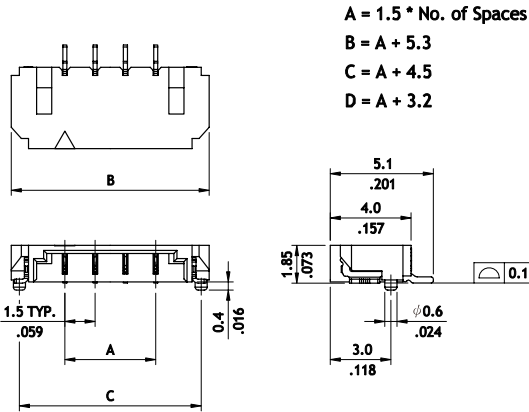
CP15 Series 1.50mm(.069") SMT Headers (Mating height 2.50mm)

- Simplify manufacturing procedure
- Reduce the Cost
- Insulator: High temperature plastic UL 94V-0
- With metal fixed tabs to secure connector in place

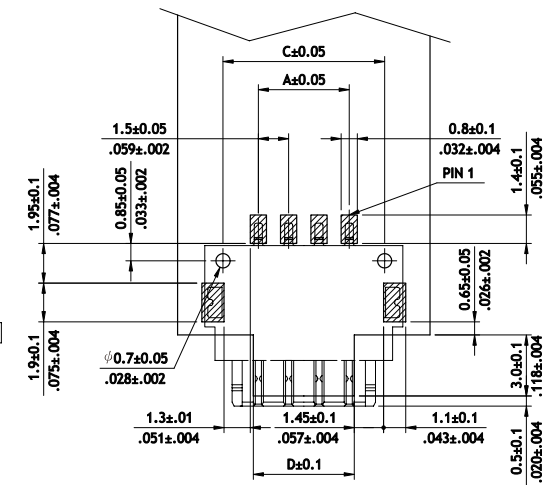
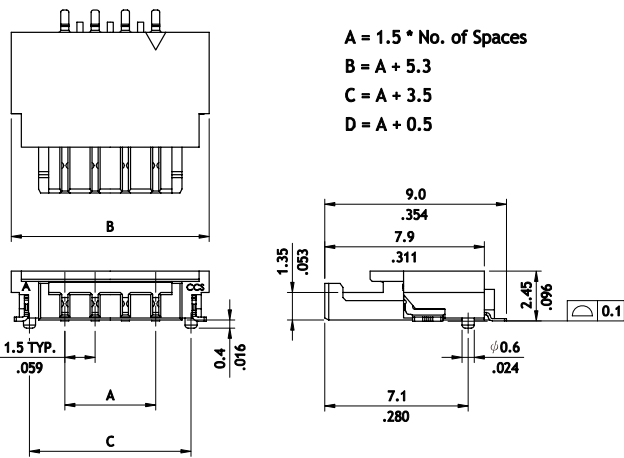
RoHS Compliant



P/N CP15**M1PRO-NH



P/N CP15**M1SR0-NH



Ordering Code

① ② ③ ④ ⑤ ⑥ ⑦ ⑧
CP15 04 M 1 S R 0 - NH

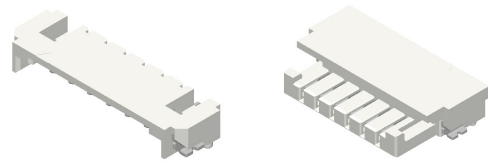
- ① Series No.
- ② No. of Circuits: 02 ~ 05 (Available in 3, 4, 5pin)
*Circuits not found above, please consult manufacturer
- ③ M = SMT Type

- ④ Plating Code :
1 = Matte Tin over Nickel
- ⑤ Type: P = Plug
S = Receptacle
- ⑥ Packing Options:
R = Tape & Reel

- ⑦ Other Options:
0 = Standard (Full of pin)
1 = Omitted pin No.2 (3 pin)
*Special option consult manufacturer
- ⑧ NH = For Lead Free IR process and Halogen-Free

CP15 Series 1.50mm(.069") SMT Headers (Mating height 3.0mm)

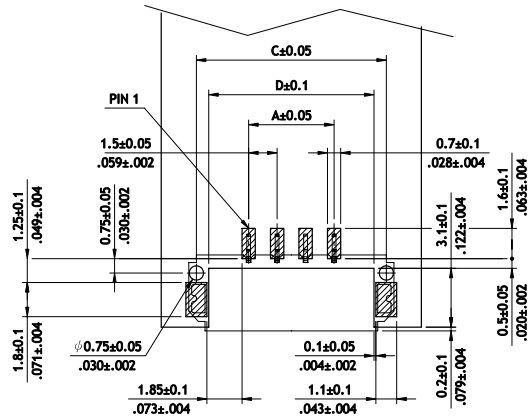
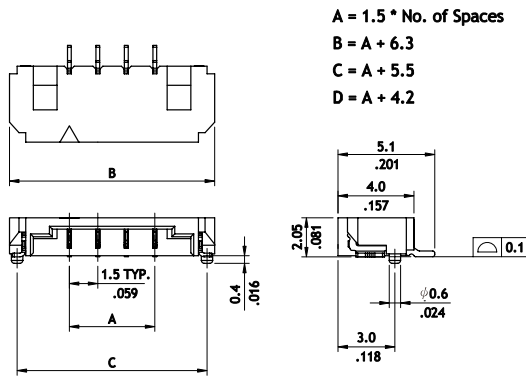
- ⊙ With taller height, width and enhanced structure
- ⊙ Simplify manufacturing procedure
- ⊙ Reduce the cost
- ⊙ Insulator: High temperature plastic UL 94V-0
- ⊙ With metal fixed tabs to secure connector in place



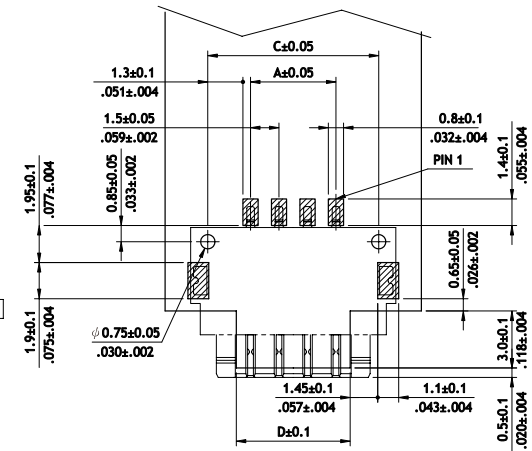
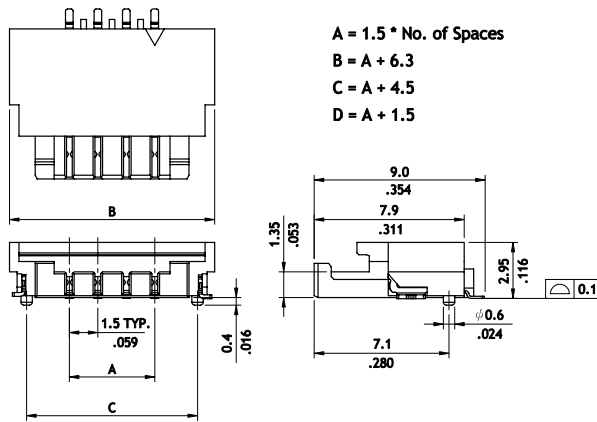
RoHS Compliant

CP

P/N CP15**M1PRB-NH



P/N CP15**M1SRB-NH



Ordering Code

① ② ③ ④ ⑤ ⑥ ⑦ ⑧
CP 15 04 M 1 S R B - NH

- ① Series No.
- ② No. of Circuits: 02 ~ 05(Available in 03, 04 pin)
*Circuits not found above , please consult manufacturer
- ③ M = SMT Type
- ④ Plating Code : 1 = Matte Tin over Nickel
- ⑤ Type: P = Plug S = Receptacle
- ⑥ Packing Options : R = Tape & Reel

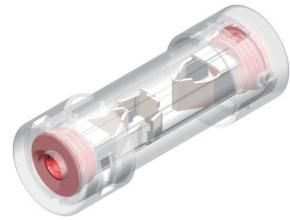
- ⑦ Other Options:
A = Omitted pin No.2 (3 pin)
B = Standard (Full of pin)
*Special option consult manufacturer
- ⑧ NH = For Lead Free IR process and Halogen-Free

POWER CONNECTORS

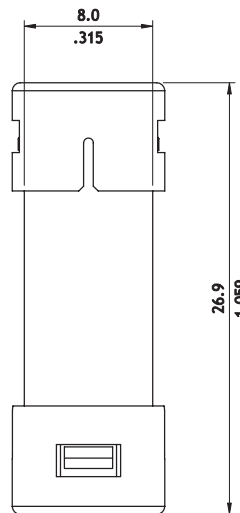
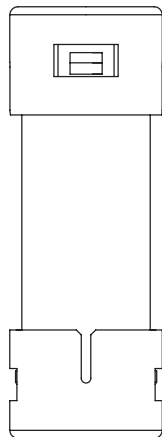
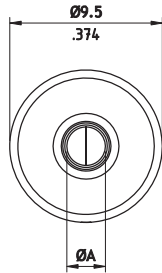
CPB1 Series Waterproof Connectors

- ⊙ Insulator: Polycarbonate UL 94 V-2 Color Nature
- ⊙ Contact : Copper Alloy
- ⊙ According to IEC 60529 IPX7
- ⊙ Wire to Wire connecting
- ⊙ Maximum applied current 15A for AWG 14

NEW



RoHS Compliant



	DIM.A	Waterproof stopper color	Wire Range	Insulation Diameter	Single core wire Core Diameter	Multi-core wire Core Diameter
CPB101S1010-NH	1.70	Red	Awg18	2.00	1.02	1.20 max.
CPB101S1020-NH	2.00	Green	Awg16	2.25	1.29	1.35 max.
			Awg14	2.55	1.63	1.80 max.

Ordering Code

①
②
③
④
⑤
⑥
⑦

CPB1 01 S 1 01 0 - NH

① Series No.

② No. of Circuits: 01

③ S = Housing

④ Plating Code : 1 = Tin over Nickel

⑤ DIM.A:
01= For Wire insulation O.D.=2.00mm
02= For Wire Insulation O.D.=2.25 and 2.55mm

⑥ Option : 0 = Standard

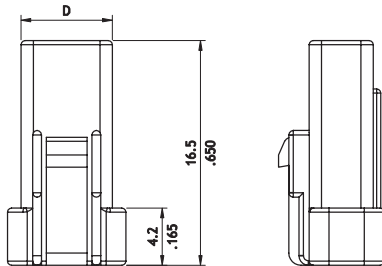
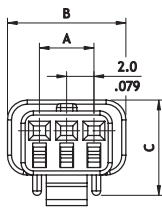
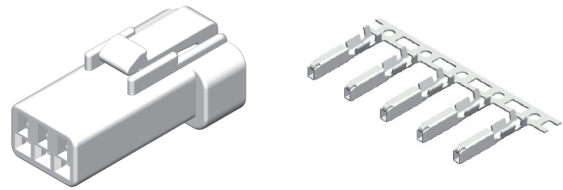
⑦ NH= For Lead Free soldering process and Halogen-Free

CPB2 Series 2.00mm (.079) Waterproof Connectors

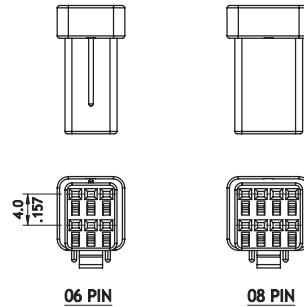
- ⊙ Mate with CPB2 connector
- ⊙ Can be used with CPB2 Crimp Clip Receptacle terminal
- ⊙ Insulator : PBT UL94V-0, Nature Color
- ⊙ According to IEC 60529 IPX7



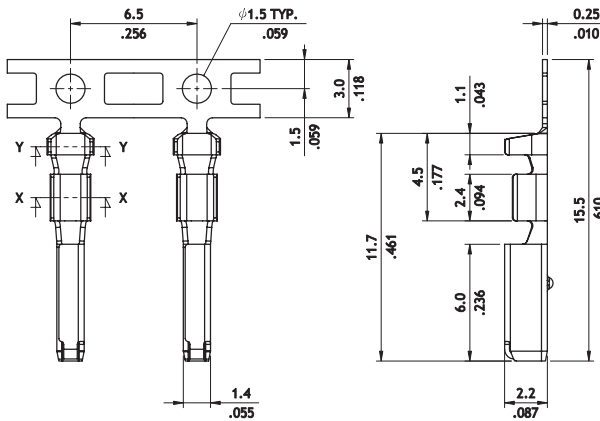
RoHS Compliant



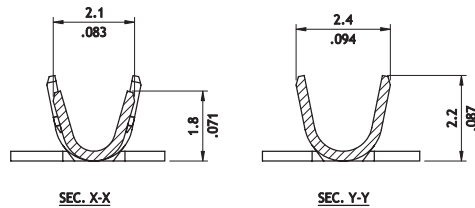
02-04 PIN



Circuits	Dimension			
	A	B	C	D
2	-	6.7(.264)	7.0(.276)	4.7(.185)
3	4.0(.157)	8.7(.343)	7.0(.276)	6.7(.264)
4	6.0(.236)	10.7(.421)	7.0(.276)	8.7(.343)
6	4.0(.157)	8.7(.343)	11.0(.433)	6.7(.264)
8	6.0(.236)	10.7(.421)	11.0(.433)	8.7(.343)



Wire Range	Insulation Diameter	Reel Q'ty
AWG #22-#26	1.4-1.7mm	10,000 PCS



Ordering Code

① CPB ② 2 ③ S ④ 0 ⑤ R ⑥ 00 ① CPB ② T02 ③ 1 ④ P ⑤ ES

- ① Series No.
- ② No. of Circuits: 02 ,03 , 04 , 06 , 08
- ③ S = Receptacle
- ④ 0 = Single Row (2P, 3P, 4P only)
D = Dual Row (6P , 8P , only)
- ⑤ R=Rubber Seal
- ⑥ Other Options: 00= Standard

- ① Series No.
- ② Type:
T01 = AWG #22 ~ #26
- ③ Plating Code :
1 = Tin over Nickel

- ④ Material:
P = Phosphor Bronze
- ⑤ ES= Receptacle Terminal

CP

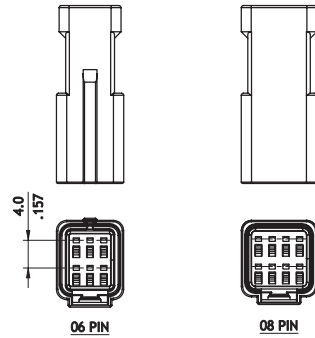
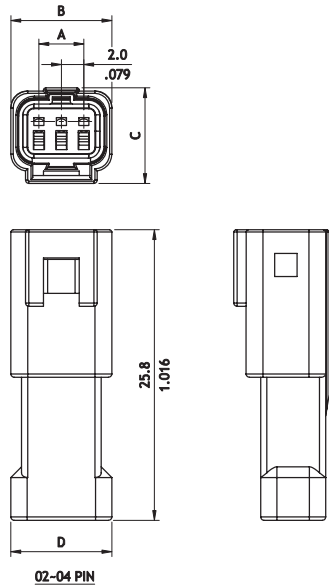
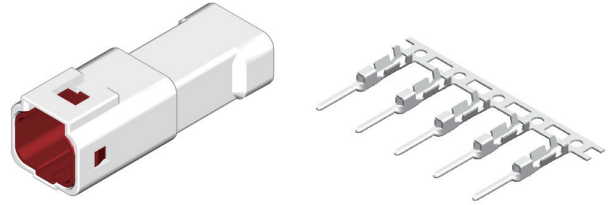
POWER CONNECTORS

CPB2 Series 2.00mm (.079) Waterproof Connectors

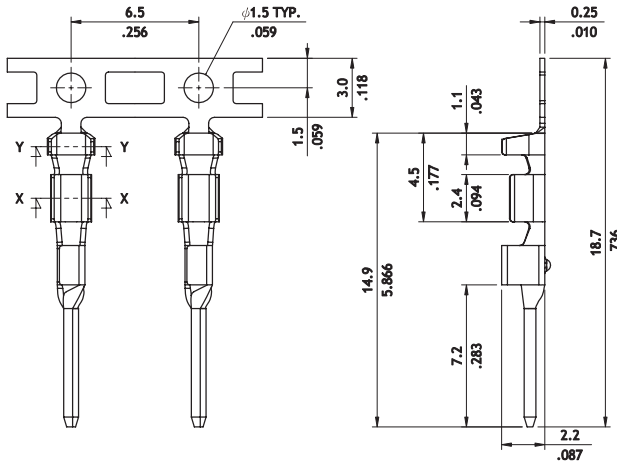
- ⊙ Mate with CPB2 connector
- ⊙ Can be used with CPB2 Crimp Clip Receptacle terminal
- ⊙ Insulator : PBT UL94V-0, Nature Color
- ⊙ According to IEC 60529 IPX7

NEW

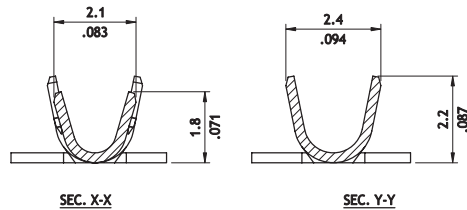
RoHS Compliant



Circuits	Dimension			
	A	B	C	D
2	-	7.0(.276)	8.2(.323)	7.0(.276)
3	4.0(.157)	9.0(.354)	8.5(.335)	9.0(.354)
4	6.0(.236)	11.0(.433)	8.5(.335)	11.0(.433)
6	4.0(.157)	9.8(.386)	12.9(.508)	9.0(.354)
8	6.0(.236)	11.0(.433)	12.2(.480)	11.0(.433)



Wire Range	Insulation Diameter	Reel Q'ty
AWG #22-#26	1.4-1.7mm	10,000 PCS



Ordering Code

① ② ③ ④ ⑤ ⑥
CPB 2 0 8 P 0 R 00

① ② ③ ④ ⑤
CPB 2 T02 1 B P

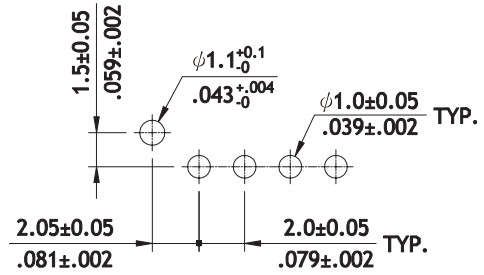
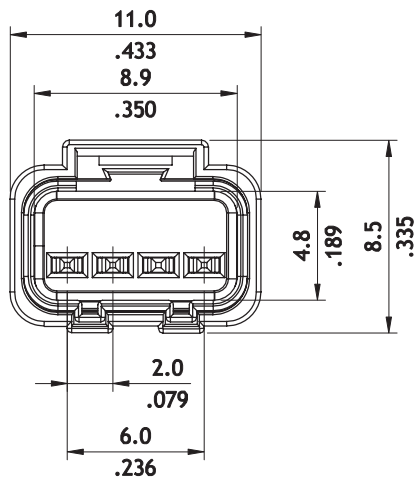
- ① Series No.
- ② No. of Circuits: 02 ,03 , 04 , 06 , 08
- ③ P = Plug Housing
- ④ 0 = Single Row (2P, 3P, 4P only)
D = Dual Row (6P , 8P , only)
- ⑤ R=Rubber Seal
- ⑥ Other Options: 00= Standard

- ① Series No.
- ② Type: T01 = AWG #22 ~ #26
- ③ Plating Code :
1 = Tin over Nickel
- ④ Material : B = Brass
- ⑤ PP= Plug Terminal

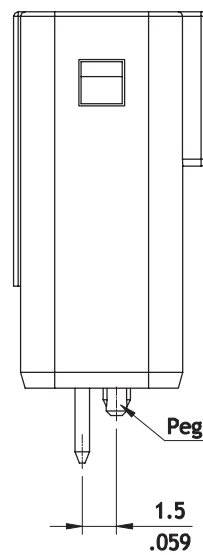
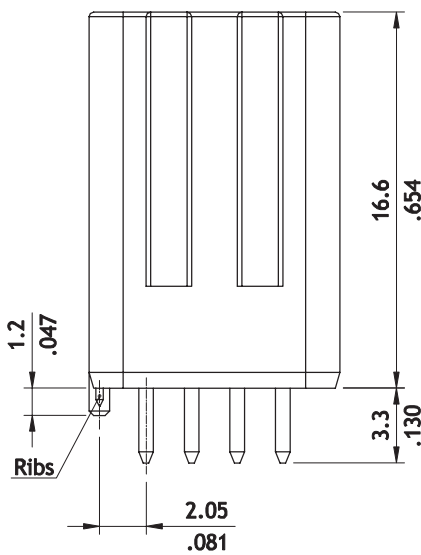
CPB2 Series 2.00mm (.079) Waterproof Connectors

- ⊙ Mate with CPB2 connector
- ⊙ Can be used with CPB2 Crimp Clip Receptacle terminal
- ⊙ Insulator : PBT UL94V-0, Nature Color
- ⊙ According to IEC 60529 IPX7

NEW



Recommended P.C. Board Layout



Ordering Code

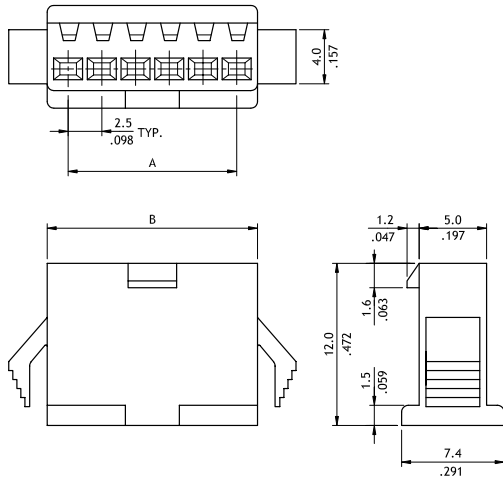
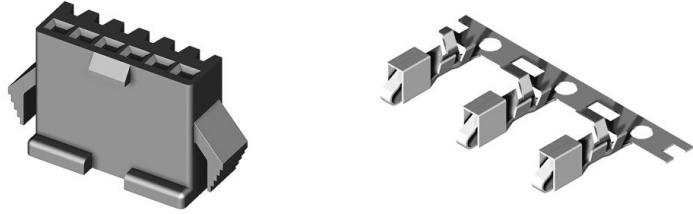
① ② ③ ④ ⑤ ⑥ ⑦ ⑧
CPB2 04 S 1 V 0 A - NH

- ① Series No.
- ② No. of Circuits: 04
- ③ S = Single Row
- ④ Plating Code : 1 = Tin over Nickel

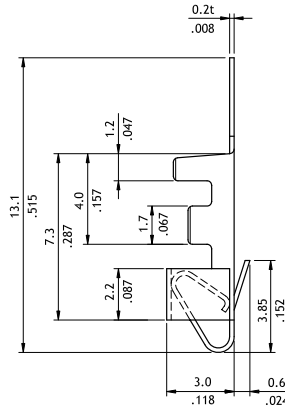
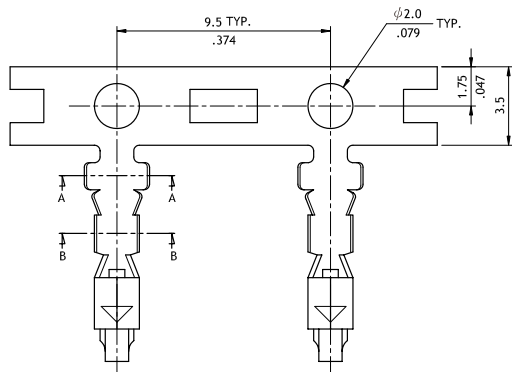
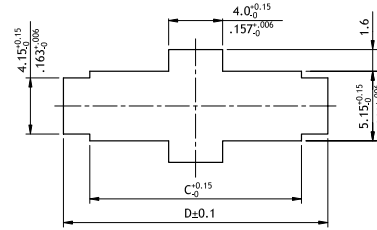
- ⑤ V = Straight
- ⑥ 0 = DIP Type
- ⑦ Other Option :
 0 = The Peg With Ribs (Standard)
 A = Ther Peg Without Ribs
- ⑧ NH= For Lead Free soldering process and Halogen-Free

CP06 Series 2.50mm(.098") Receptacle Connectors

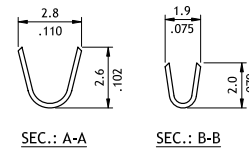
- ⊙ With locking latch mounting ears
- ⊙ Available in 2 through 12 circuits
- ⊙ Can be used with CP06 Crimp terminal
- ⊙ Nylon 66 UL 94V-2, Color Black



Circuits	Dimension			Dimension D		
	A	B	C	t= 0.5-0.9mm	t= 1.0-1.5mm	t= 1.5-2.0mm
2	2.5(.098)	5.7(.224)	5.8(.228)	9.6(.378)	9.8(.386)	10.0(.394)
3	5.0(.197)	8.2(.323)	8.3(.327)	12.1(.476)	12.3(.484)	12.5(.492)
4	7.5(.295)	10.7(.421)	10.8(.425)	14.6(.575)	14.8(.583)	15.0(.591)
5	10.0(.394)	13.2(.519)	13.3(.524)	17.1(.673)	17.3(.681)	17.5(.689)
6	12.5(.492)	15.7(.618)	15.8(.622)	19.6(.772)	19.8(.780)	20.0(.787)
7	15.0(.591)	18.2(.717)	18.3(.720)	22.1(.870)	22.3(.878)	22.5(.886)
8	17.5(.689)	20.7(.815)	20.8(.819)	24.6(.969)	24.8(.976)	25.0(.984)
9	20.0(.787)	23.2(.913)	23.3(.917)	27.1(1.067)	27.3(1.075)	27.5(1.083)
10	22.5(.886)	25.7(1.021)	25.8(1.016)	29.6(1.165)	29.8(1.173)	30.0(1.181)
11	25.0(.984)	28.2(1.110)	28.3(1.114)	32.1(1.264)	32.3(1.272)	32.5(1.280)
12	27.5(1.083)	30.7(1.209)	30.8(1.213)	34.6(1.362)	34.8(1.370)	35.0(1.378)



Wire Range	Insulation Diameter	Reel Qty
AWG #22-#28	1.70 (.064) MAX.	7,000 PCS.



Ordering Code

① CP 0 6 ② 1 2 ③ S ④ 0 0 1 ⑤ 0

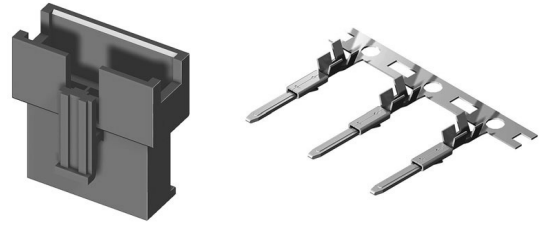
- ① Series No.
 - ② No. of Circuits: 02 ~ 12
 - ③ Type: S = Receptacle
 - ④ Color: 001 = Color Black
 - ⑤ Other Options: 0 = Standard
- *Special options consult manufacturer

① CP 0 6 ② T 0 2 ③ 1 ④ B ⑤ ES

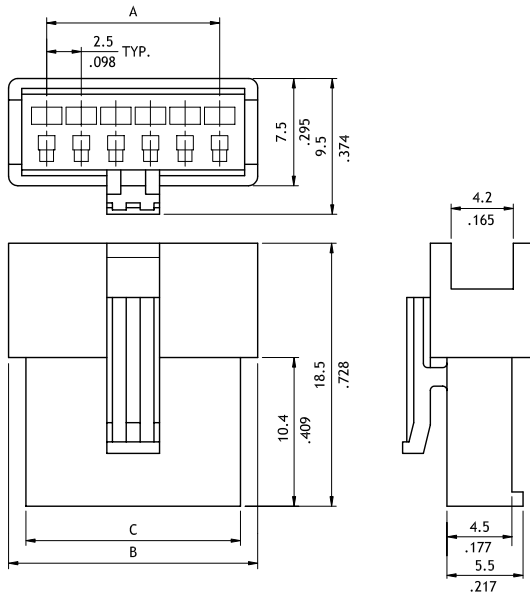
- ① Series No.
- ② Wire Range: T02 = AWG #22 ~ #28
- ③ Plating Code : 1 = Tin over Nickel
- ④ Material: B = Brass
- ⑤ Style: ES = Receptacle Terminal

CP06 Series 2.50mm(.098") Plug Connectors

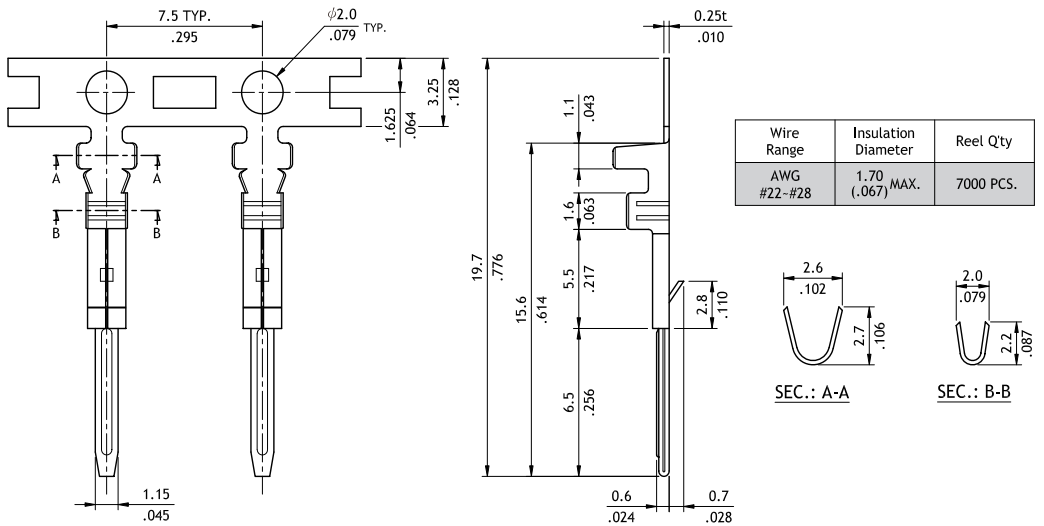
- ⊙ With locking latch mounting ears
- ⊙ Available in 2 through 12 circuits
- ⊙ Can be used with CP06 Crimp terminal
- ⊙ Nylon 66 UL 94V-2, Color Black



RoHS Compliant 



Circuits	Dimension		
	A	B	C
2	2.5(.098)	8.2(.323)	5.5(.216)
3	5.0(.197)	10.7(.421)	8.0(.315)
4	7.5(.295)	13.2(.519)	10.5(.413)
5	10.0(.394)	15.7(.618)	13.0(.512)
6	12.5(.492)	18.2(.717)	15.5(.610)
7	15.0(.591)	20.7(.815)	18.0(.709)
8	17.5(.689)	23.2(.915)	20.5(.807)
9	20.0(.787)	25.7(1.012)	23.0(.905)
10	22.5(.886)	28.2(1.110)	25.5(1.004)
11	25.0(.984)	30.7(1.209)	28.0(1.102)
12	27.5(1.083)	33.2(1.307)	30.5(1.201)



Ordering Code

① CP06 ② 12 ③ P ④ 001 ⑤ 0

- ① Series No.
 - ② No. of Circuits: 02 ~ 12
 - ③ Type: P = Plug
 - ④ Color: 001 = Color Black
 - ⑤ Other Options: 0 = Standard
- *Special options consult manufacturer

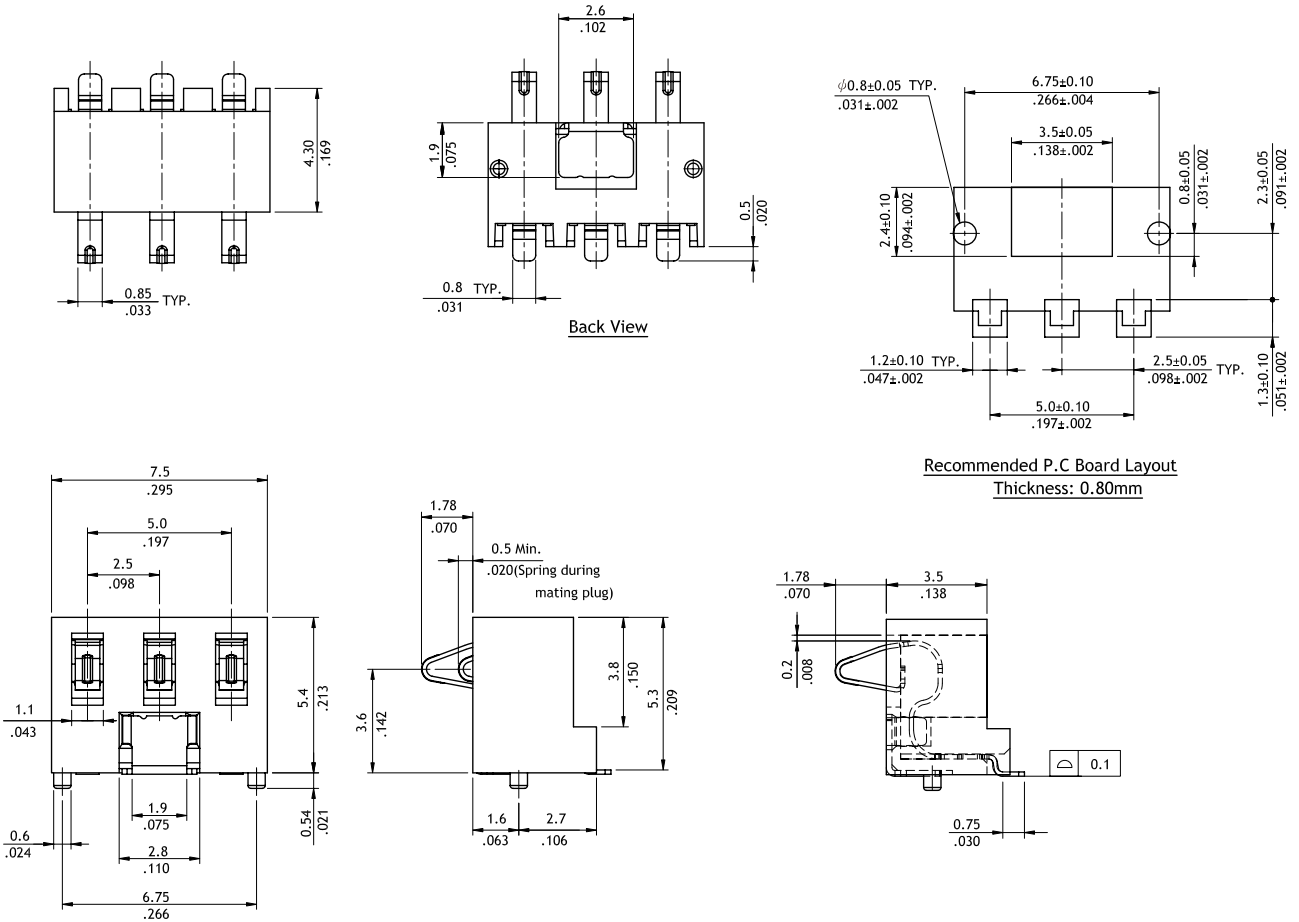
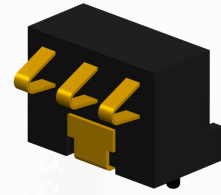
① CP06 ② T02 ③ 1 ④ B ⑤ EP

- ① Series No.
- ② Wire Range: T02 = AWG #22 ~ #28
- ③ Plating Code: 1 = Tin over Nickel
- ④ Material: B = Brass
- ⑤ Style: EP = Plug Terminal

CP25 Series 2.50mm(.098") Receptacle Battery Connectors

Ⓞ Insulator:High Temperature plastic UL94V-0, Color Black

RoHS Compliant



Ordering Code

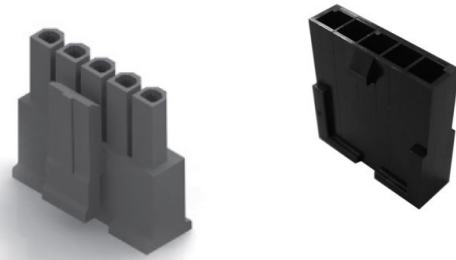
① ② ③ ④ ⑤ ⑥ ⑦
CP 2 5 0 3 S 2 M R B

- ① Series No.
- ② No. of Circuits: 3
- ③ S = Receptacle
- ④ Plating Code : 2 = Gold flash over Nickel
- ⑤ Type: M = SMT Type
- ⑥ Packing option: R= Tape & Reel
- ⑦ Other Options: B: Height = 5.4mm

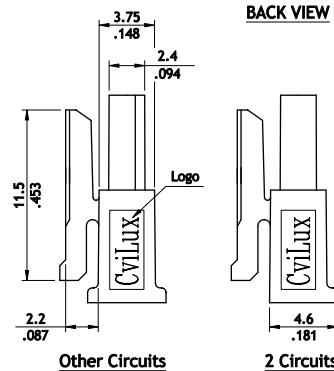
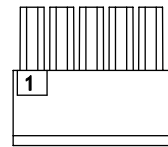
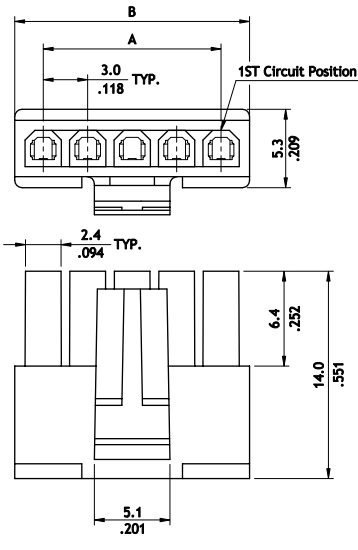
CP35 Series 3.00mm(.118") Single Row Housing Connectors

- ⊙ With locking latch and mounting ears
- ⊙ Available in 2 through 12 circuits
- ⊙ Can be used with CP35 Crimp terminal
- ⊙ Thermal Polyester UL 94V-0, Color Black

RoHS Compliant 

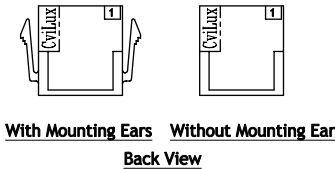
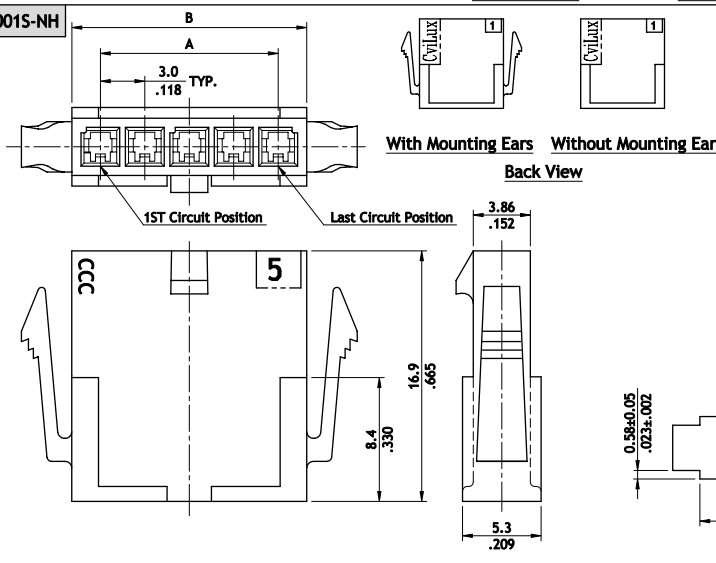


P/N **CP35**S001S-NH**

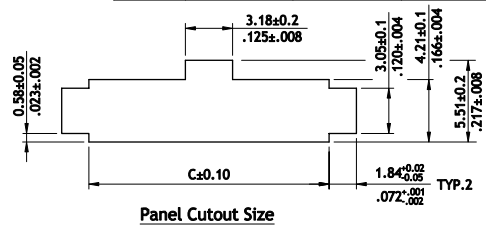


Circuits	Dimension	
	A	B
2	3.0(.118)	6.9(.272)
3	6.0(.236)	9.9(.390)
4	9.0(.354)	12.9(.508)
5	12.0(.472)	15.9(.626)
6	15.0(.591)	18.9(.744)
7	18.0(.709)	21.9(.862)
8	21.0(.827)	24.9(.980)
9	24.0(.945)	27.9(1.098)
10	27.0(1.063)	30.9(1.217)
11	30.0(1.181)	33.9(1.335)
12	33.0(1.299)	36.9(1.453)

P/N **CP35**P001S-NH**



Circuits	Dimension		
	A	B	C
2	3.0(.118)	6.86(.270)	7.21(.284)
3	6.0(.236)	9.86(.388)	10.21(.402)
4	9.0(.354)	12.86(.506)	13.21(.520)
5	12.0(.472)	15.86(.624)	16.21(.638)
6	15.0(.591)	18.86(.742)	19.21(.756)
7	18.0(.709)	21.86(.860)	22.20(.874)
8	21.0(.827)	24.86(.978)	25.20(.992)
9	24.0(.945)	27.86(1.096)	28.20(1.110)
10	27.0(1.063)	30.86(1.214)	31.22(1.229)
11	30.0(1.181)	33.86(1.332)	34.22(1.347)
12	33.0(1.299)	36.86(1.450)	37.22(1.465)



Ordering Code

① CP 3 5 ② 1 2 ③ S ④ 0 0 1 ⑤ S - NH ① CP 3 5 ② 1 2 ③ P ④ 0 0 1 ⑤ S - NH

- ① Series No.
- ② No. of Circuits: 02 ~ 12
- ③ Type: S = Receptacle
- ④ Color: 001 = Color Black
- ⑤ Other Options: S = Single Row Type
- ⑥ NH = For Lead Free soldering process and Halogen-Free
- ① Series No.
- ② No. of Circuits: 02 ~ 12
- ③ Type: P = Plug
- ④ Options: 0 = With mounting ears, R = Without mounting ears
- ⑤ Color: 01 = Color Black
- ⑥ Other Options : S = Single Row Type
- ⑦ NH = For Lead Free soldering process and Halogen-Free

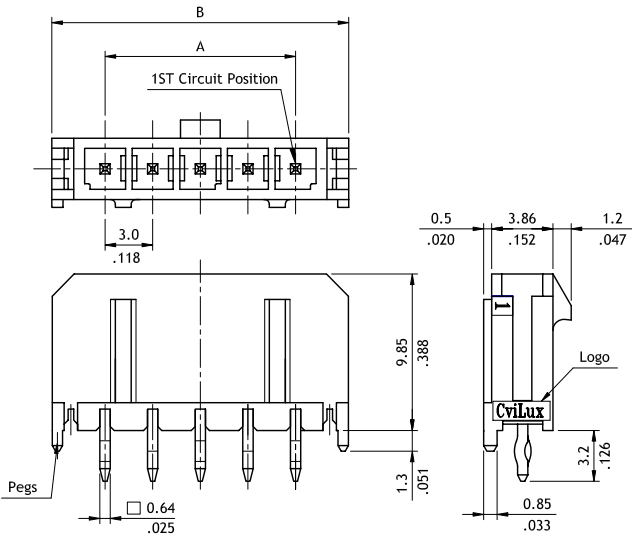
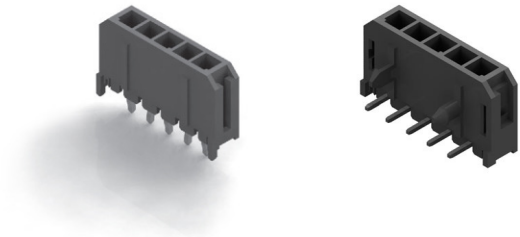
CP

POWER CONNECTORS

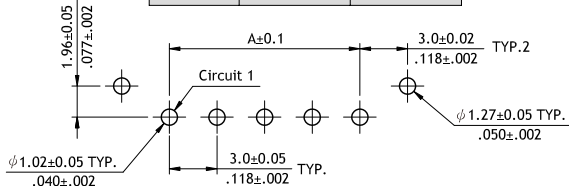
CP35 Series 3.00mm(.118") Single Row Board Mount Headers

- ⊙ Mates with CP35 Connector
- ⊙ Shrouded header with PCB mounting pegs or board locks
- ⊙ Available straight and right angle solder Tails

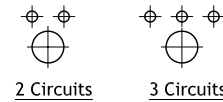
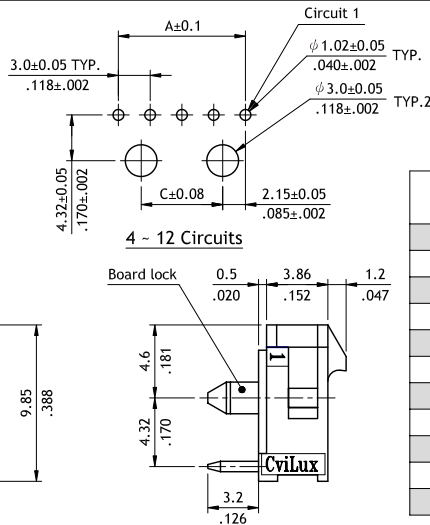
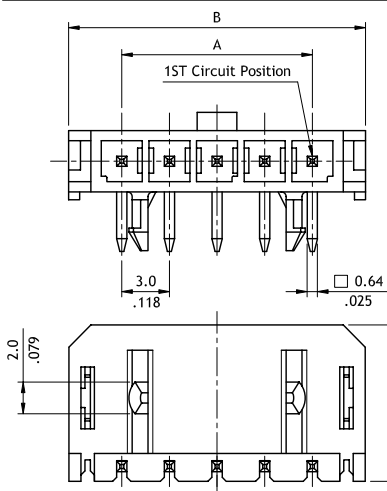
RoHS Compliant



Circuits	Dimension	
	A	B
2	3.0(.118)	9.65(.380)
3	6.0(.236)	12.65(.498)
4	9.0(.354)	15.65(.616)
5	12.0(.472)	18.65(.734)
6	15.0(.591)	21.65(.852)
7	18.0(.709)	24.65(.970)
8	21.0(.827)	27.65(1.089)
9	24.0(.945)	30.65(1.207)
10	27.0(1.063)	33.65(1.325)
11	30.0(1.181)	36.65(1.443)
12	33.0(1.299)	39.65(1.561)



Recommended P.C. Board layout



Circuits	Dimension		
	A	B	C
2	3.0(.118)	9.65(.380)	—
3	6.0(.236)	12.65(.498)	—
4	9.0(.354)	15.65(.616)	4.7(.185)
5	12.0(.472)	18.65(.734)	7.7(.303)
6	15.0(.591)	21.65(.852)	10.7(.421)
7	18.0(.709)	24.65(.970)	13.7(.539)
8	21.0(.827)	27.65(1.089)	16.7(.657)
9	24.0(.945)	30.65(1.207)	19.7(.776)
10	27.0(1.063)	33.65(1.325)	22.7(.894)
11	30.0(1.181)	36.65(1.443)	25.7(1.012)
12	33.0(1.299)	39.65(1.561)	28.7(1.130)

Ordering Code

① ② ③ ④ ⑤ ⑥ ⑦ ⑧ ⑨

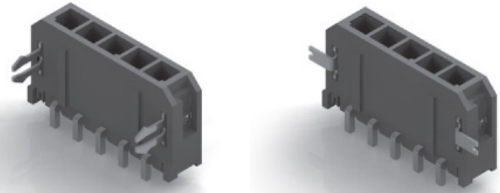
CP 35 1 2 P 1 V 0 0 - S - NH

- ① Series No.
- ② No. of Circuits: 02 ~12
- ③ P = Plug
- ④ Plating Code : 1 = Matte Tin over Nickel
*Optional plating available but MOQ requested
- ⑤ Contact Type : V = Straight , H = Right Angle
- ⑥ Mount Type : 0 = DIP Type
- ⑦ Other Options:
0 = With pegs (Straight)
0 = With plastic board lock (Right Angle)
- ⑧ S= Single Row Header
- ⑨ NH = For Lead Free soldering process and Halogen-Free

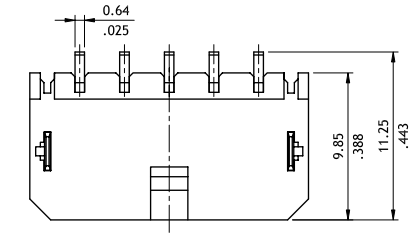
CP35 Series 3.00mm(.118") Single Row Side Entry SMT Headers

- ⊙ Mates with CP35 Connector
- ⊙ Shrouded header with PCB board locks or fixed tabs
- ⊙ High temperature plastic for SMT process

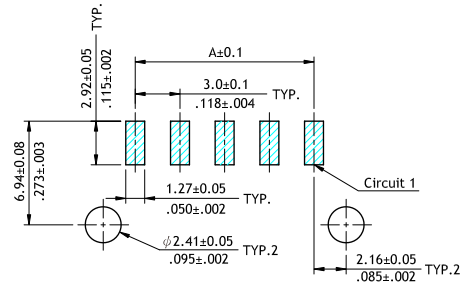
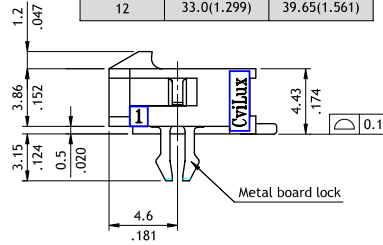
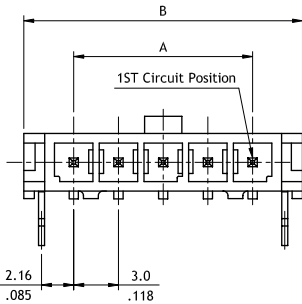
RoHS Compliant



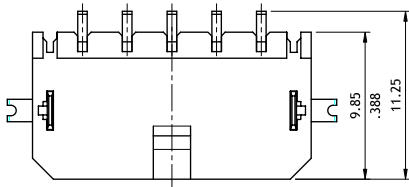
CP



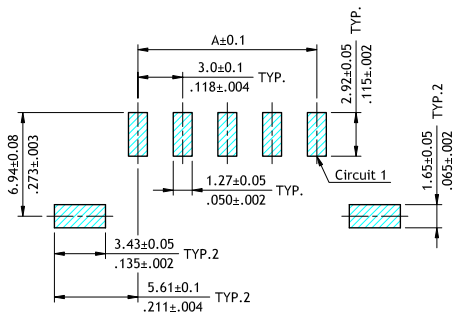
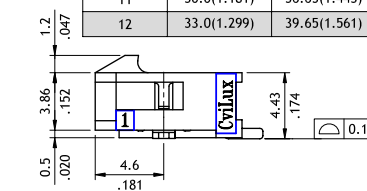
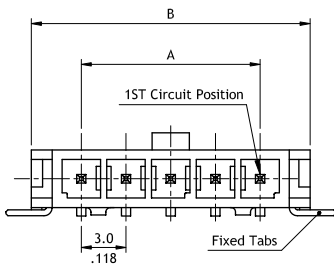
Circuits	Dimension	
	A	B
2	3.0(.118)	9.65(.380)
3	6.0(.236)	12.65(.498)
4	9.0(.354)	15.65(.616)
5	12.0(.472)	18.65(.734)
6	15.0(.591)	21.65(.852)
7	18.0(.709)	24.65(.970)
8	21.0(.827)	27.65(1.089)
9	24.0(.945)	30.65(1.207)
10	27.0(1.063)	33.65(1.325)
11	30.0(1.181)	36.65(1.443)
12	33.0(1.299)	39.65(1.561)



Recommended P.C. Board Layout



Circuits	Dimension	
	A	B
2	3.0(.118)	9.65(.380)
3	6.0(.236)	12.65(.498)
4	9.0(.354)	15.65(.616)
5	12.0(.472)	18.65(.734)
6	15.0(.591)	21.65(.852)
7	18.0(.709)	24.65(.970)
8	21.0(.827)	27.65(1.089)
9	24.0(.945)	30.65(1.207)
10	27.0(1.063)	33.65(1.325)
11	30.0(1.181)	36.65(1.443)
12	33.0(1.299)	39.65(1.561)



Recommended P.C. Board Layout

Ordering Code

① CP 35 ② 1 2 ③ P ④ 1 ⑤ H ⑥ S ⑦ 0 - ⑧ S - ⑨ NH

- ① Series No.
- ② No. of Circuits: 02 ~12
- ③ P = Plug
- ④ Plating Code : 1 = Matte Tin over Nickel
- ⑤ Contact Type: H = Side Entry

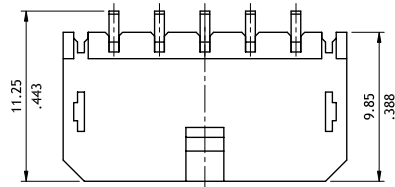
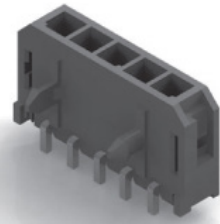
- ⑥ Mount Type: S = SMT Type
- ⑦ Other Options:
 - 0 = With Metal board lock
 - T = With Fixed Tabs (Available for Tape & Reel)
- ⑧ S= Single Row Header
- ⑨ NH = For Lead Free soldering process and Halogen-Free

POWER CONNECTORS

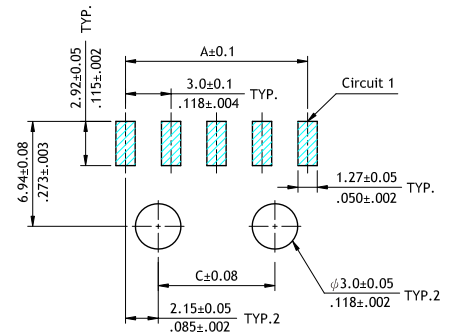
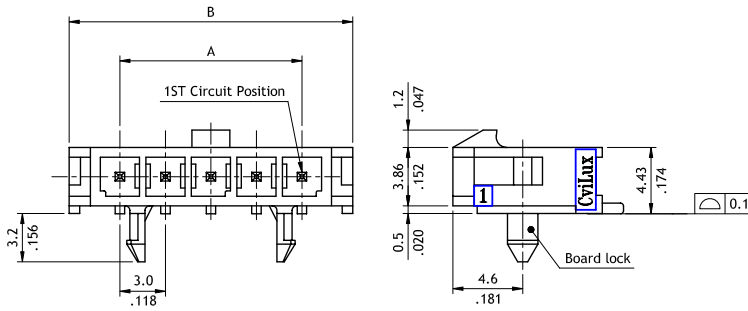
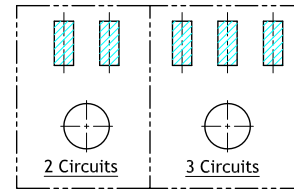
CP35 Series 3.00mm(.118") Single Row Side Entry SMT Headers

- ⊙ Mates with CP35 Connector
- ⊙ Shrouded header with board locks
- ⊙ High temperature plastic for SMT process

RoHS Compliant



Circuits	Dimension		
	A	B	C
2	3.0(.118)	9.65(.380)	—
3	6.0(.236)	12.65(.498)	—
4	9.0(.354)	15.65(.616)	4.7(.185)
5	12.0(.472)	18.65(.734)	7.7(.303)
6	15.0(.591)	21.65(.852)	10.7(.421)
7	18.0(.709)	24.65(.970)	13.7(.539)
8	21.0(.827)	27.65(1.089)	16.7(.657)
9	24.0(.945)	30.65(1.207)	19.7(.776)
10	27.0(1.063)	33.65(1.325)	22.7(.894)
11	30.0(1.181)	36.65(1.443)	25.7(1.012)
12	33.0(1.299)	39.65(1.561)	28.7(1.130)



Recommended P.C. Board Layout

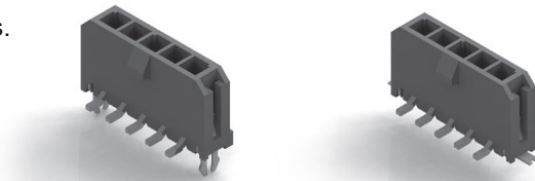
Ordering Code	①	②	③	④	⑤	⑥	⑦	⑧	⑨
	CP	35	12	P	1	H	S	P	-S-NH

① Series No.	⑦ Other Options:
② No. of Circuits: 02 ~12	P = With plastic board lock
③ P = Plug	⑧ S= Single Row Header
④ Plating Code : 1 = Matte Tin over Nickel	⑨ NH = For Lead Free soldering process and Halogen-Free
⑤ Contact Type: H = Side Entry	
⑥ Mount Type: S = SMT Type	

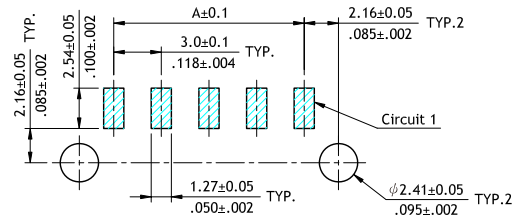
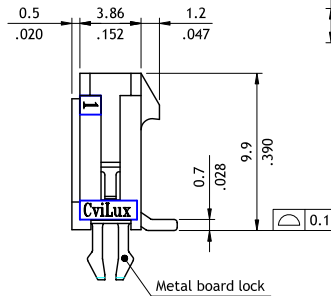
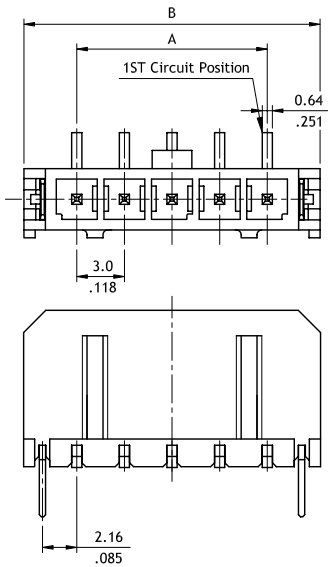
CP35 Series 3.00mm(.118") Single Row Top Entry SMT Headers

- Mates with CP35 Connector
- Shrouded header with board locks or fixed tabs.
- With metal pick and place Pad
- High temperature plastic for SMT process

RoHS Compliant

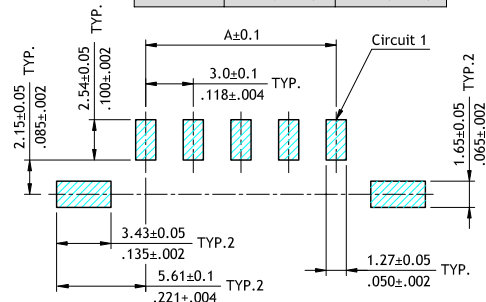
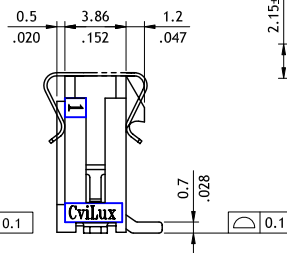
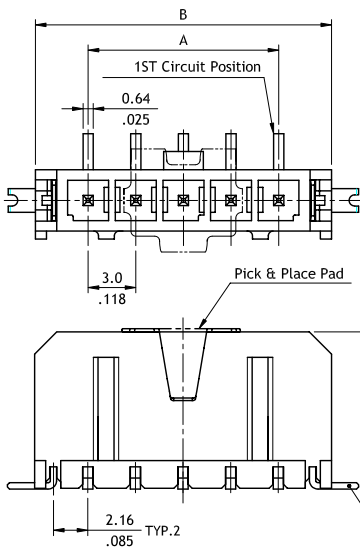


CP



Recommended P.C. Board Layout

Circuits	Dimension	
	A	B
2	3.0(.118)	9.65(.380)
3	6.0(.236)	12.65(.498)
4	9.0(.354)	15.65(.616)
5	12.0(.472)	18.65(.734)
6	15.0(.591)	21.65(.852)
7	18.0(.709)	24.65(.970)
8	21.0(.827)	27.65(1.089)
9	24.0(.945)	30.65(1.207)
10	27.0(1.063)	33.65(1.325)
11	30.0(1.181)	36.65(1.443)
12	33.0(1.299)	39.65(1.561)



Recommended P.C. Board Layout

Ordering Code

① ② ③ ④ ⑤ ⑥ ⑦ ⑧ ⑨
CP 3 5 1 2 P 1 V S 0 - S - NH

- ① Series No.
- ② No. of Circuits: 02 ~12
- ③ P = Plug
- ④ Plating Code : 1 = Matte Tin over Nickel
- ⑤ Contact Type: V = Top Entry
- ⑥ Mount Type: S = SMT Type
- ⑦ Other Options:
 0 = With Metal board locks
 T = With Fixed Tabs (Available for Tape & Reel)
- ⑧ S= Single Row Header
- ⑨ NH = For Lead Free soldering process and Halogen-Free

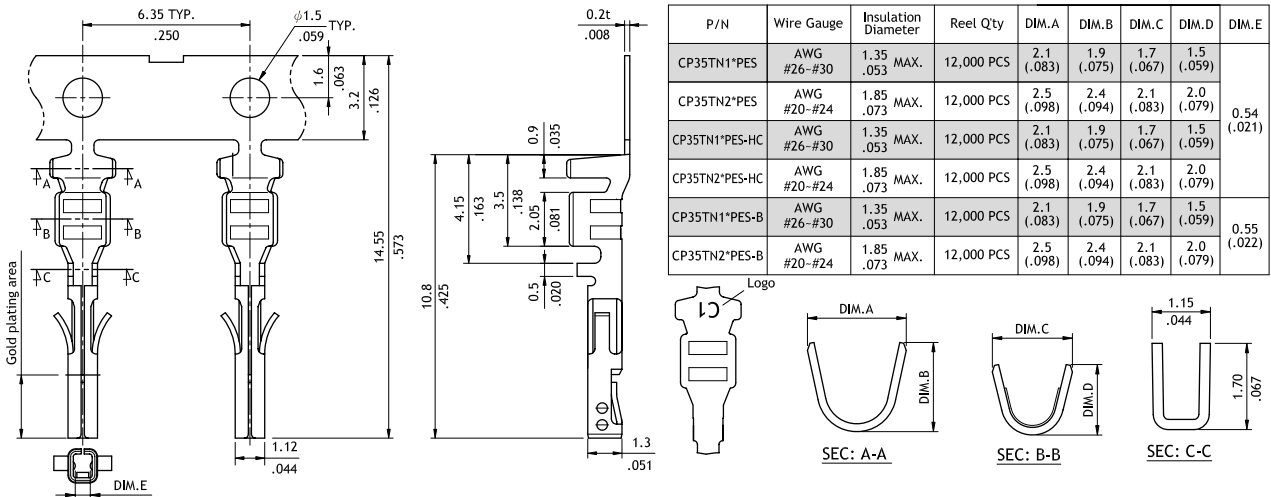
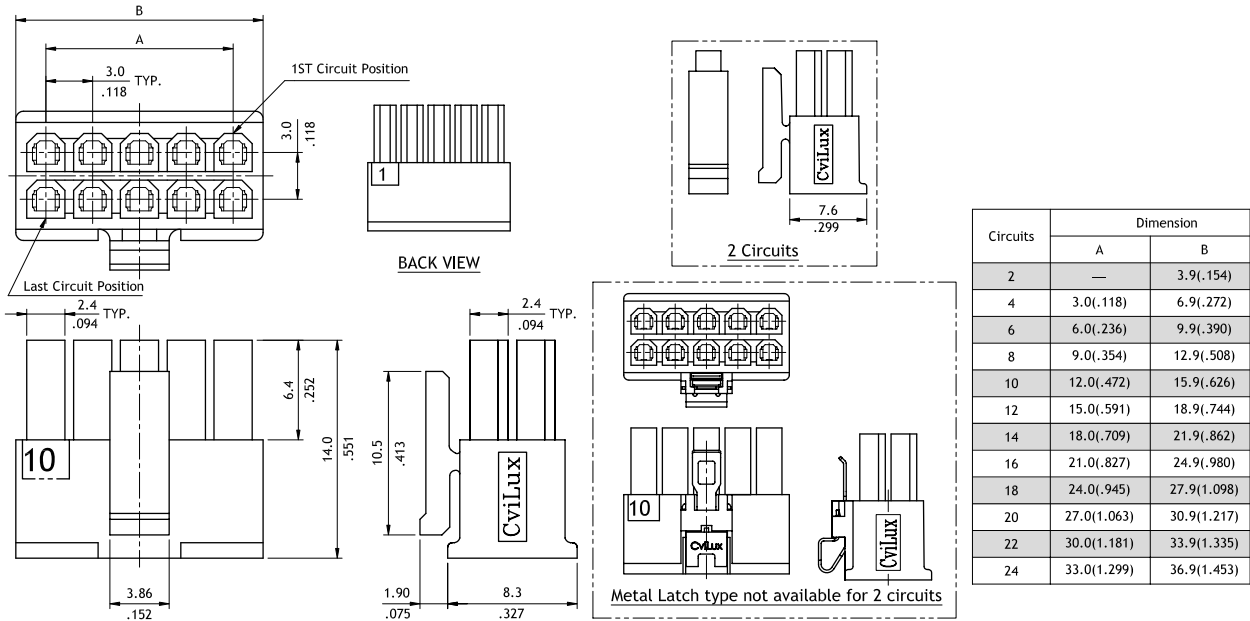
POWER CONNECTORS

CP35 Series 3.00mm(.118") Dual Row Receptacle Connectors

- ⊙ With locking latch
- ⊙ Available in 2 through 24 circuits
- ⊙ Can be used with CP35 Crimp Terminal
- ⊙ Terminal accommodated AWG #20 ~ #30



RoHS Compliant



Ordering Code

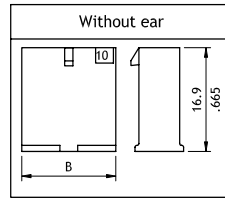
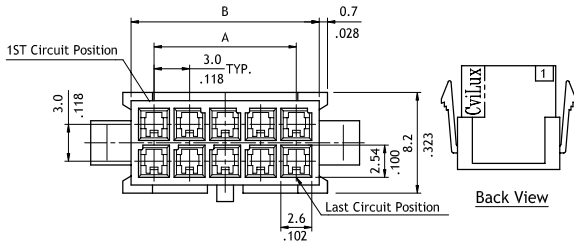
- | | | | | | | | | | | | |
|----|----|----|---|----|---|-----|----|----|-----|---|-----|
| ① | ② | ③ | ④ | ⑤ | ⑥ | ⑦ | ① | ② | ③ | ④ | ⑤ |
| CP | 35 | 24 | S | 00 | 1 | 0NH | CP | 35 | TN2 | 1 | PES |
- ① Series No.
 - ② No. of Circuits: 02 ~ 24
 - ③ S = Receptacle
 - ④ Type : 00 = Standard,
ML = Metal Latch Type
 - ⑤ Color: 1 = Color Black
 - ⑥ Other Options: 0 = Standard
 - ⑦ NH = For Lead Free soldering process and Halogen-Free
 - ① Series No.
 - ② Wire Range : TN1 = AWG #26 ~ #30
TN2 = AWG #20 ~ #24
 - ③ Plating Code : 1 = Tin over Nickel
A = Selective Gold flash over Nickel
 - ④ Material: P = Phosphor Bronze
 - ⑤ ES = Receptacle Terminal
ES-B = Receptacle Terminal (Low insertion Force)
ES-HC = For high current required

CP35 Series 3.00mm(.118") Dual Row Plug Connectors

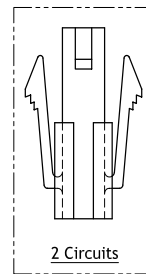
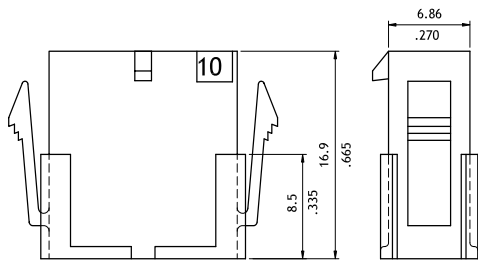
- ⊙ With mounting ears
- ⊙ Available in 2 through 24 circuits
- ⊙ Can be used with CP35 Crimp terminal
- ⊙ Accommodated AWG #20 ~ #30



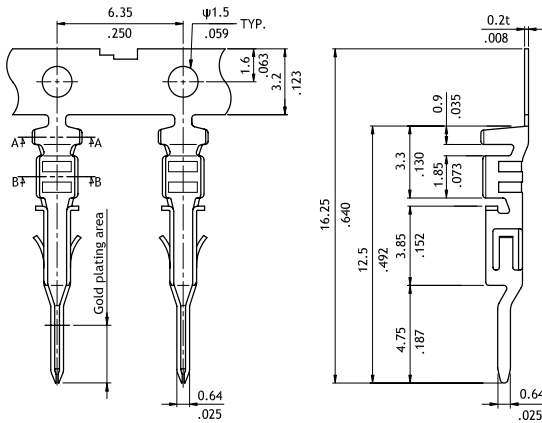
RoHS Compliant



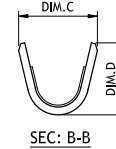
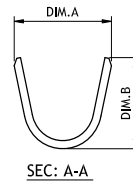
Circuits	Dimension		
	A	B	C
2	—	3.9(.154)	4.09(.161)
4	3.0(.118)	6.9(.272)	7.09(.279)
6	6.0(.236)	9.9(.390)	10.08(.397)
8	9.0(.354)	12.9(.508)	13.08(.515)
10	12.0(.472)	15.9(.626)	16.06(.633)
12	15.0(.591)	18.9(.744)	19.08(.751)
14	18.0(.709)	21.9(.862)	22.07(.869)
16	21.0(.827)	24.9(.980)	25.07(.967)
18	24.0(.945)	27.9(1.098)	28.07(1.105)
20	27.0(1.063)	30.9(1.217)	31.06(1.223)
22	30.0(1.181)	33.9(1.335)	34.06(1.341)
24	33.0(1.299)	36.9(1.453)	37.06(1.459)



Panel Cutout Size



P/N	Wire Gauge	Insulation Diameter	Reel Qty	DIM.A	DIM.B	DIM.C	DIM.D
CP35TN1*PEP	AWG #26-#30	1.35 .053 MAX.	12,000 PCS	2.1 (.083)	1.9 (.075)	1.7 (.067)	1.5 (.059)
CP35TN2*PEP	AWG #20-#24	1.85 .073 MAX.	12,000 PCS	2.5 (.098)	2.4 (.094)	2.1 (.083)	2.0 (.079)



Ordering Code

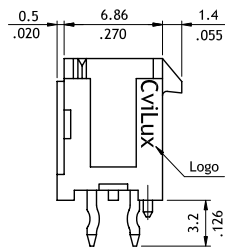
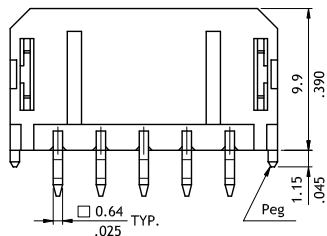
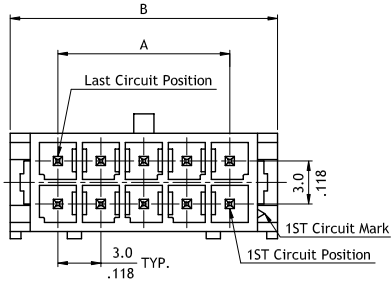
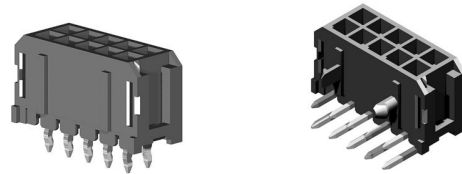
① CP 3 5 ② 2 4 ③ P ④ 001 ⑤ 0 ⑥ NH ① CP 3 5 ② TN 2 ③ 1 ④ P ⑤ EP

- ① Series No.
- ② No. of Circuits: 02 ~24
- ③ P = Plug
- ④ Color: 001 = Color Black
- ⑤ Other Options:
0 = Standard ; B = Without Ear
- ⑥ NH = For Lead Free soldering process and Halogen-Free
- ① Series No.
- ② Wire Range : TN1 = AWG #26 ~ #30
TN2 = AWG #20 ~ #24
- ③ Plating Code : 1 = Tin over Nickel
A = Selective Gold flash over Nickel
- ④ Material: P = Phosphor Bronze
- ⑤ Style: EP = Plug Terminal

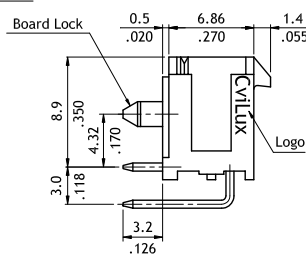
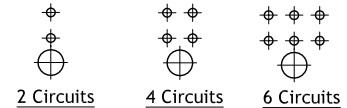
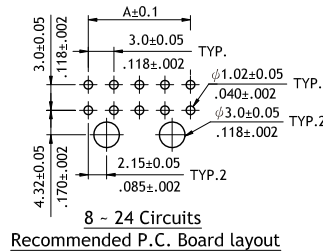
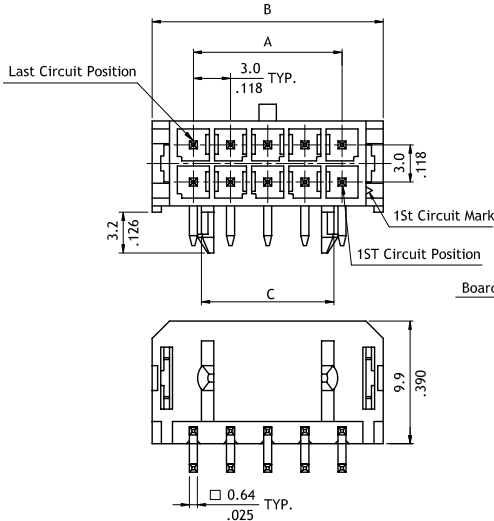
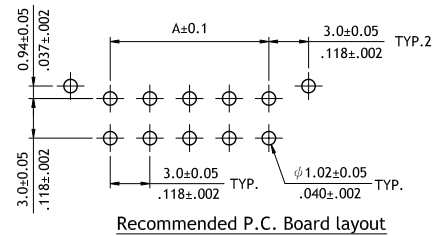
CP35 Series 3.00mm(.118") Dual Row Board Mount Headers

- ⊙ Mate with CP35 Connector
- ⊙ Shrouded header with PCB mounting pegs or board locks
- ⊙ Available straight and right angle solder tails

RoHS Compliant



Circuits	Dimension	
	A	B
2	—	6.7(.264)
4	3.0(.118)	9.7(.382)
6	6.0(.236)	12.7(.500)
8	9.0(.354)	15.7(.618)
10	12.0(.472)	18.7(.657)
12	15.0(.591)	21.7(.854)
14	18.0(.709)	24.7(.972)
16	21.0(.827)	27.7(1.091)
18	24.0(.945)	30.7(1.209)
20	27.0(1.063)	33.7(1.327)
22	30.0(1.181)	36.7(1.445)
24	33.0(1.299)	39.7(1.563)



Circuits	Dimension		
	A	B	C
2	—	6.7(.264)	3.0(.118)
4	3.0(.118)	9.7(.382)	3.0(.118)
6	6.0(.236)	12.7(.500)	3.0(.118)
8	9.0(.354)	15.7(.618)	7.7(.303)
10	12.0(.472)	18.7(.657)	10.7(.421)
12	15.0(.591)	21.7(.854)	13.7(.539)
14	18.0(.709)	24.7(.972)	16.7(.657)
16	21.0(.827)	27.7(1.091)	19.7(.776)
18	24.0(.945)	30.7(1.209)	22.7(.894)
20	27.0(1.063)	33.7(1.327)	25.7(1.012)
22	30.0(1.181)	36.7(1.445)	28.7(1.130)
24	33.0(1.299)	39.7(1.563)	31.7(1.248)

Ordering Code

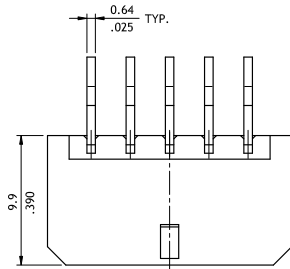
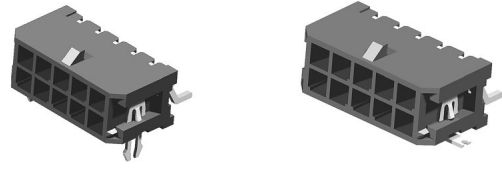
① CP 35 ② 24 ③ P ④ 1 ⑤ V ⑥ 0 ⑦ 0 ⑧ - NH

- ① Series No.
- ② No. of Circuits: 02 ~ 24
- ③ P = Plug
- ④ Plating Code :
 1 = Matte Tin over Nickel
 A = Selective Gold flash over Nickel
 B = Selective 15µ" Gold flash over Nickel
- ⑤ Contact Type : V = Straight , H = Right Angle
- ⑥ Mount Type : 0 = DIP Type
- ⑦ Other Options:
 0 = With pegs (Straight)
 0 = With plastic board locks (Right Angle)
- ⑧ NH = For Lead Free soldering process and Halogen-Free

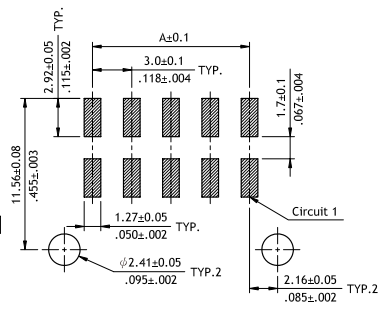
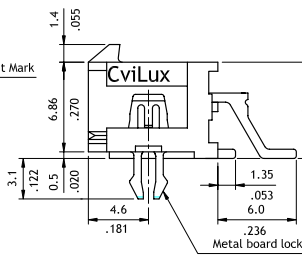
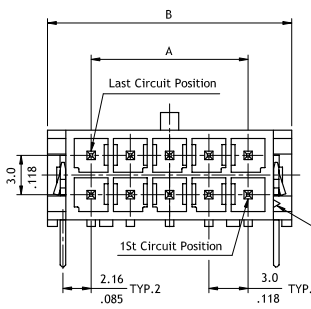
CP35 Series 3.00mm(.118") Dual Row Side Entry SMT Headers

- ⊙ Mate with CP35 Connector
- ⊙ Shrouded header with board locks or fixed tabs
- ⊙ High temperature plastic for SMT process

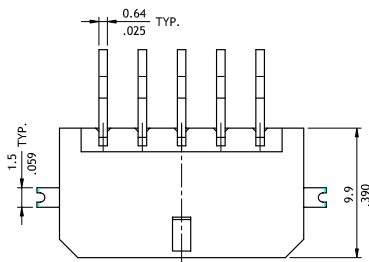
RoHS Compliant   



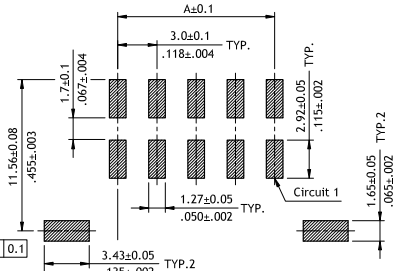
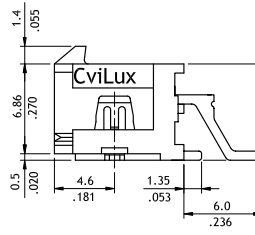
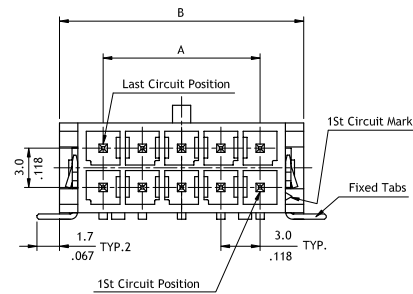
Circuits	Dimension	
	A	B
2	—	6.7(.264)
4	3.0(.118)	9.7(.382)
6	6.0(.236)	12.7(.500)
8	9.0(.354)	15.7(.618)
10	12.0(.472)	18.7(.657)
12	15.0(.591)	21.7(.854)
14	18.0(.709)	24.7(.972)
16	21.0(.827)	27.7(1.091)
18	24.0(.945)	30.7(1.209)
20	27.0(1.063)	33.7(1.327)
22	30.0(1.181)	36.7(1.445)
24	33.0(1.299)	39.7(1.563)



Recommended P.C. Board Layout



Circuits	Dimension	
	A	B
2	—	6.7(.264)
4	3.0(.118)	9.7(.382)
6	6.0(.236)	12.7(.500)
8	9.0(.354)	15.7(.618)
10	12.0(.472)	18.7(.657)
12	15.0(.591)	21.7(.854)
14	18.0(.709)	24.7(.972)
16	21.0(.827)	27.7(1.091)
18	24.0(.945)	30.7(1.209)
20	27.0(1.063)	33.7(1.327)
22	30.0(1.181)	36.7(1.445)
24	33.0(1.299)	39.7(1.563)



Recommended P.C. Board Layout

Ordering Code

① CP ② 35 ③ 24 ④ P ⑤ 1 ⑥ H ⑦ S ⑧ 0 - NH

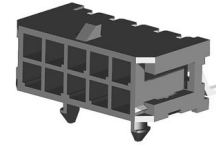
- ① Series No.
- ② No. of Circuits: 02 ~ 24
- ③ P = Plug
- ④ Plating Code :
 1 = Matte Tin over Nickel
 A = Selective Gold flash over Nickel
 *Optional plating available but MOQ requested
- ⑤ Contact Type: H = Side Entry
- ⑥ Mount Type: S = SMT Type
- ⑦ Other Options:
 0 = With Metal board locks
 T = With Fixed Tabs
- ⑧ NH = For Lead Free soldering process and Halogen-Free

CP

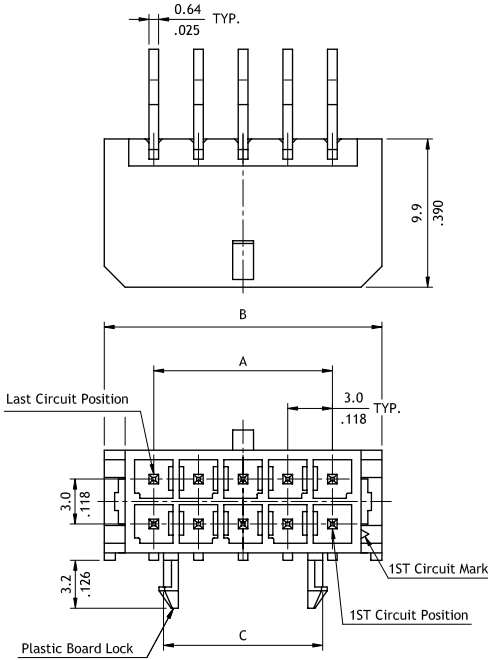
POWER CONNECTORS

CP35 Series 3.00mm(.118") Dual Row Side Entry SMT Headers

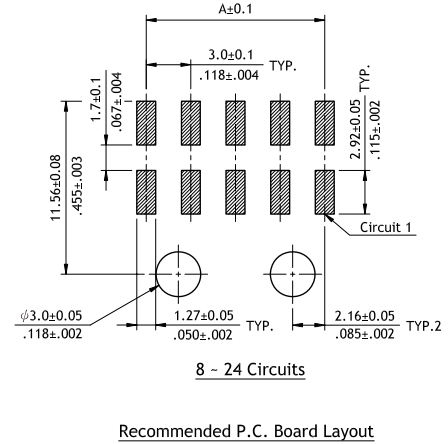
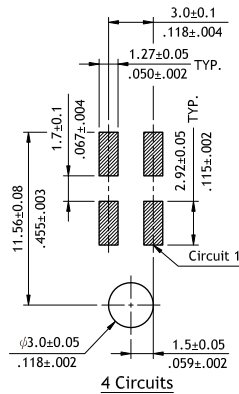
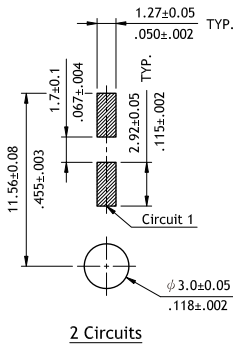
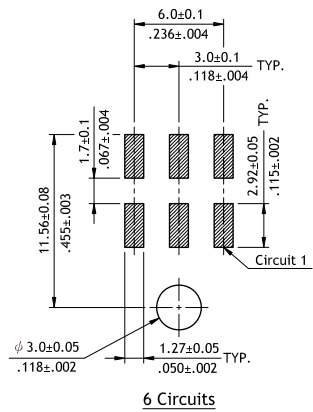
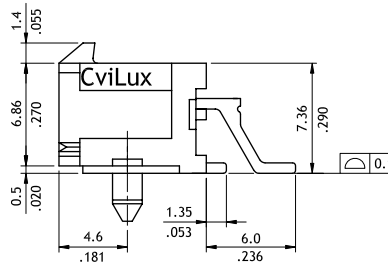
- ⊙ Mate with CP35 Connector
- ⊙ Shrouded header with board locks
- ⊙ High temperature plastic for SMT process



RoHS Compliant



Circuits	Dimension		
	A	B	C
2	—	6.7(.264)	3.0(.118)
4	3.0(.118)	9.7(.382)	3.0(.118)
6	6.0(.236)	12.7(.500)	3.0(.118)
8	9.0(.354)	15.7(.618)	7.7(.303)
10	12.0(.472)	18.7(.657)	10.7(.421)
12	15.0(.591)	21.7(.854)	13.7(.539)
14	18.0(.709)	24.7(.972)	16.7(.657)
16	21.0(.827)	27.7(1.091)	19.7(.776)
18	24.0(.945)	30.7(1.209)	22.7(.894)
20	27.0(1.063)	33.7(1.327)	25.7(1.012)
22	30.0(1.181)	36.7(1.445)	28.7(1.130)
24	33.0(1.299)	39.7(1.563)	31.7(1.248)



Ordering Code

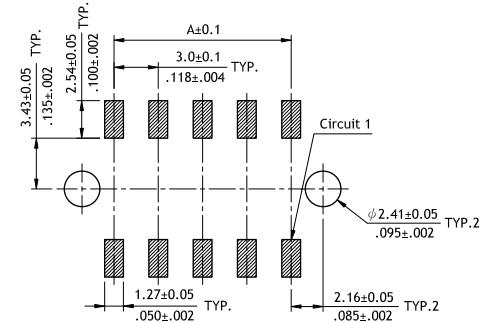
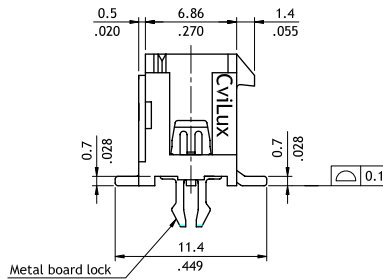
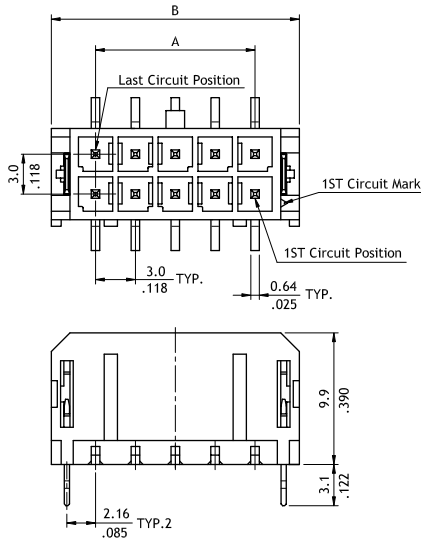
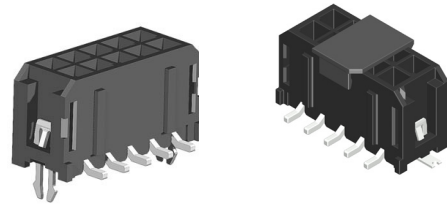
① CP 3 5 ② 2 4 ③ P ④ 1 ⑤ H ⑥ S ⑦ P - ⑧ NH

- ① Series No.
- ② No. of Circuits: 02 ~ 24
- ③ P = Plug
- ④ Plating Code :
1 = Matte Tin over Nickel
A = Selective Gold flash over Nickel
*Optional plating available but MOQ requested
- ⑤ Contact Type: H = Side Entry
- ⑥ Mount Type:
S = SMT Type
- ⑦ Other Options : P = With plastic board lock
- ⑧ NH = For Lead Free soldering process and Halogen-Free

CP35 Series 3.00mm(.118") Dual Row Top Entry SMT Headers

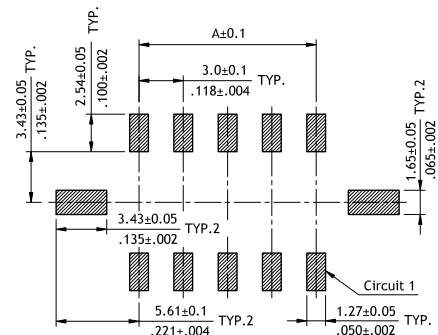
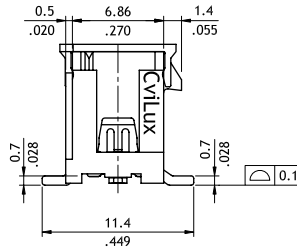
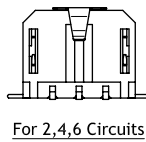
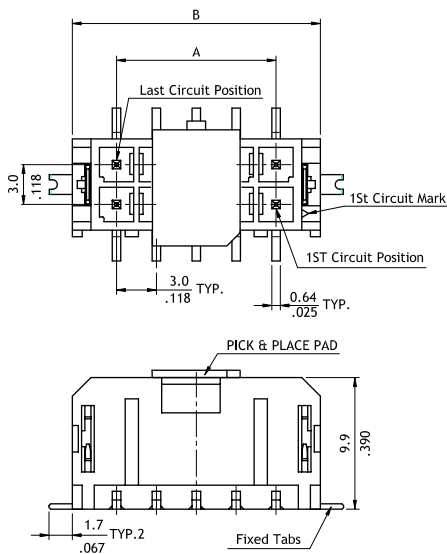
- ⊙ Mate with CP35 Connector
- ⊙ Shrouded header with board locks or fixed tabs
- ⊙ With metal pick and place Pad
- ⊙ High temperature plastic for SMT process

RoHS Compliant



Recommended PCB Layout

Circuits	Dimension	
	A	B
2	—	6.7(.264)
4	3.0(.118)	9.7(.382)
6	6.0(.236)	12.7(.500)
8	9.0(.354)	15.7(.618)
10	12.0(.472)	18.7(.657)
12	15.0(.591)	21.7(.854)
14	18.0(.709)	24.7(.972)
16	21.0(.827)	27.7(1.091)
18	24.0(.945)	30.7(1.209)
20	27.0(1.063)	33.7(1.327)
22	30.0(1.181)	36.7(1.445)
24	33.0(1.299)	39.7(1.563)



Recommended PCB Layout

Ordering Code

① ② ③ ④ ⑤ ⑥ ⑦ ⑧
CP 3 5 2 4 P 1 V S 0 - NH

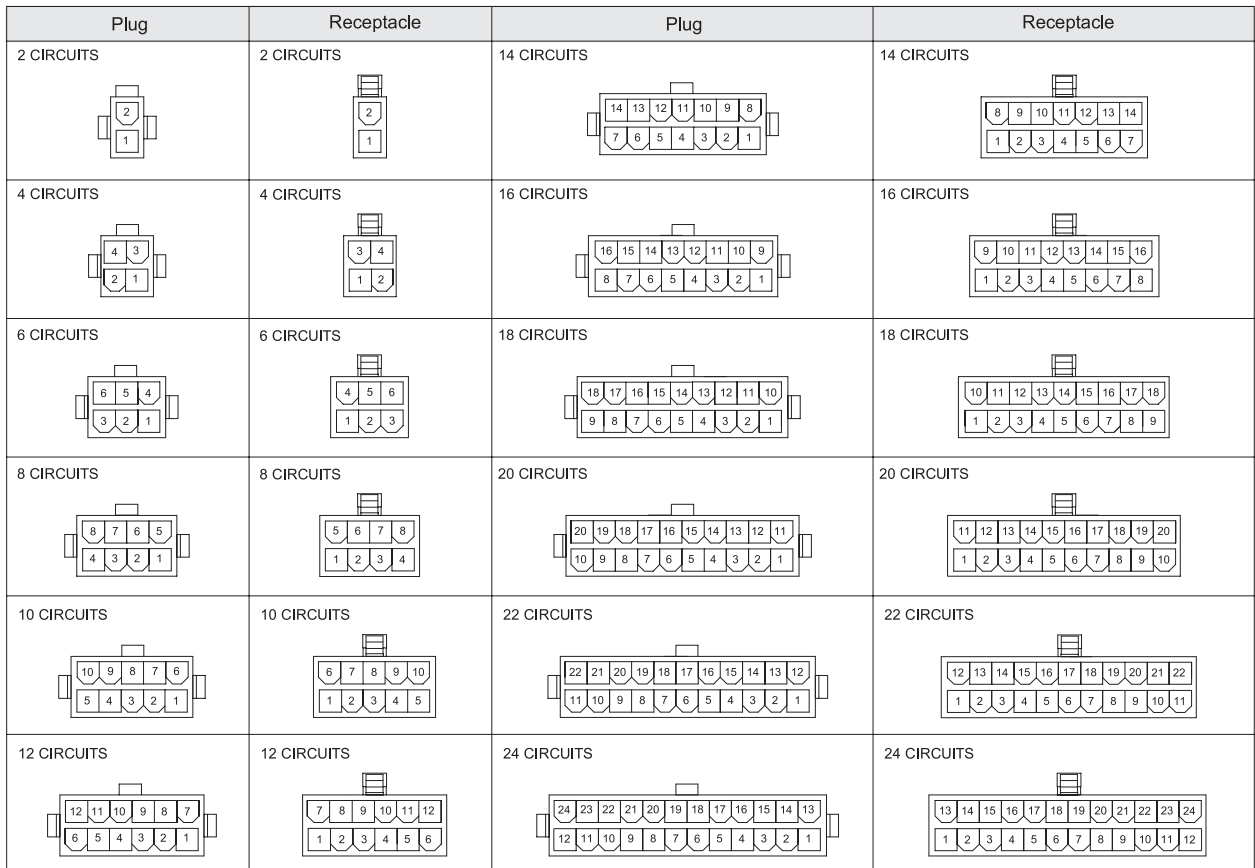
- ① Series No.
- ② No. of Circuits: 02 ~24
- ③ P = Plug
- ④ Plating Code :
 1 = Matte Tin over Nickel
 A = Selective Gold flash over Nickel
 *Optional available but MOQ requested
- ⑤ Contact Type: V = Top Entry
- ⑥ Mount Type: S = SMT Type
- ⑦ Other Options:
 0 = With Metal board lock
 T = With Fixed Tabs
 (Available for Tape & Reel packing)
- ⑧ NH = For Lead Free soldering process and Halogen-Free

CP-01 Series 4.20mm (.165") Power Connectors

- ⊙ Wire to Wire and Wire to Board applications
- ⊙ Straight and Right Angle Headers
- ⊙ High current

Rated Current(max.) and Applicable Wire*600V AC (r.m.s)

Rated Current(max.)	Wire gage/Circuits	2-3	4-6	7-10	12-24
High electric conductive copper alloy (High current crimp terminal)	AWG#16 wire gage	12A	11A	10A	9A
	AWG#18 wire gage	12A	11A	10A	9A
	AWG#20 wire gage	9A	9A	8A	8A
	AWG#22 wire gage	7A	6A	6A	6A
	AWG#28 wire gage	3.5A	2A	2A	2A
Brass & Phosphor Bronze	AWG#16 wire gage	9A	8A	7A	6A
	AWG#18 wire gage	9A	8A	7A	6A
	AWG#20 wire gage	7A	6A	5A	5A
	AWG#22 wire gage	5A	4A	4A	4A
	AWG#24 wire gage	4A	3A	3A	3A
	AWG#26 wire gage	3A	2A	2A	2A



CP

POWER CONNECTORS

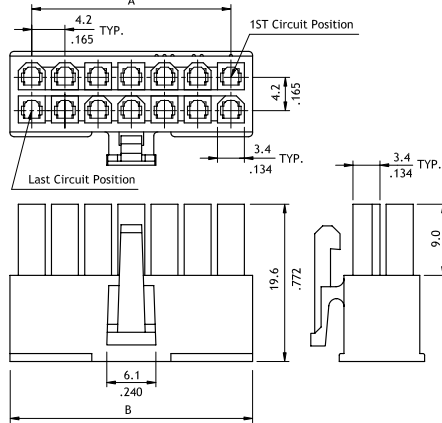
CP-011 Series 4.20mm (.165") Receptacle Connectors

- ⊙ With locking latch
- ⊙ Available in 2 through 24 circuits
- ⊙ Mates with CP-012, CP-013 or CP-014 connector
- ⊙ Nylon 66 UL 94V-0 or V-2 insulator material
- ⊙ Can be used with CP-011 crimp terminal Terminal
- ⊙ Accommodated AWG #16 ~ #26
- ⊙ Glow Wire test material available



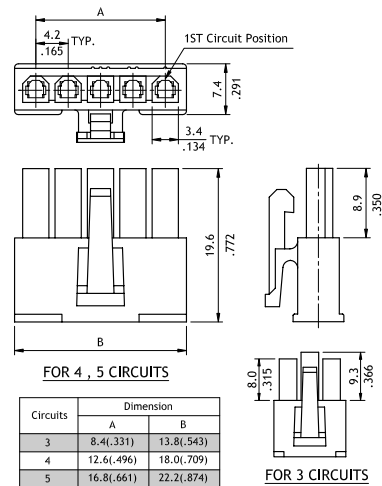
RoHS Compliant  

P/N CP-011**0*0

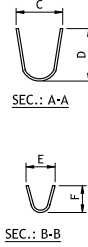
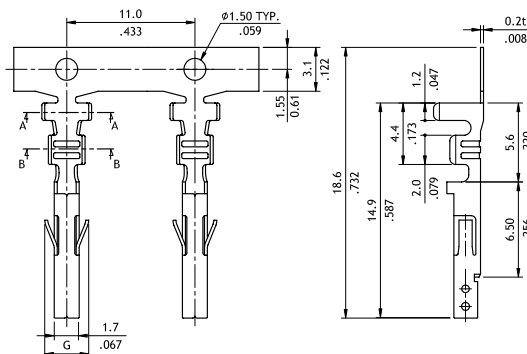


Circuits	Dimension	
	A	B
2	-	5.5(.217)
4	4.2(.165)	9.7(.382)
6	8.4(.331)	13.9(.547)
8	12.6(.496)	18.1(.713)
10	16.8(.661)	22.3(.878)
12	21.0(.827)	26.5(1.043)
14	25.2(.992)	30.7(1.209)
16	29.4(1.157)	34.9(1.374)
18	33.6(1.322)	39.1(1.539)
20	37.8(1.487)	43.3(1.705)
22	42.0(1.652)	47.5(1.870)
24	46.2(1.817)	51.7(2.035)

P/N CP-011**0*S



Circuits	Dimension	
	A	B
3	8.4(.331)	13.8(.543)
4	12.6(.496)	18.0(.709)
5	16.8(.661)	22.2(.874)



Part No.	Wire Range	Dimension					Insulation Range	Material	Reel Qty
		C	D	E	F	G			
CP-01100*01	AWG #22-26	3.4(.134)	3.3(.130)	2.5(.098)	2.3(.091)	2.6(.102)	0.9-1.8(.035-.071)	Brass	5,000 PCS
CP-01100*02	AWG #18-22	4.0(.158)	4.5(.177)	2.5(.098)	2.3(.091)	3.2(.126)	1.3-3.1(.051-.122)	Brass	4,000 PCS
CP-01100*03	AWG #22-26	3.4(.134)	3.3(.130)	2.5(.098)	2.3(.091)	2.6(.102)	0.9-1.8(.035-.071)	Phosphor Bronze	5,000 PCS
CP-01100*04	AWG #18-22	4.0(.158)	4.5(.177)	2.5(.098)	2.3(.091)	3.2(.126)	1.3-3.1(.051-.122)	Phosphor Bronze	4,000 PCS
CP-01100*05	AWG #16	4.0(.158)	4.5(.177)	2.8(.110)	2.7(.106)	3.2(.126)	1.8-3.1(.071-.122)	Brass	4,000 PCS
CP-01100*06	AWG #16	4.0(.158)	4.5(.177)	2.8(.110)	2.7(.106)	3.2(.126)	1.8-3.1(.071-.122)	Phosphor Bronze	4,000 PCS
CP-01100104-HC	AWG #18-22	4.0(.158)	4.5(.177)	2.5(.098)	2.3(.091)	3.2(.126)	1.3-3.1(.051-.122)	High electric conductive copper alloy	4,000 PCS
CP-01100106-HC	AWG #16	4.0(.158)	4.5(.177)	2.8(.110)	2.7(.106)	3.2(.126)	1.8-3.1(.071-.122)	High electric conductive copper alloy	4,000 PCS

Ordering Code



- ① Series No.
 - ② Connector Type: 1 = Receptacle
 - ③ No. of Circuits : 02 ~ 24 (Dual Row)
03 ~ 05 (Single Row)
 - ④ Plating Code: 0 = Non plating
 - ⑤ Variation:
1 = UL 94V-2 ; 6 = UL 94V-2, BMI Type
3 = UL 94V-0 ; 7 = UL 94V-0, BMI Type
E = Glow wire test approval
 - ⑥ Other Options: 0 = Dual Row
S = Single Row
- *Special options consult manufacturer

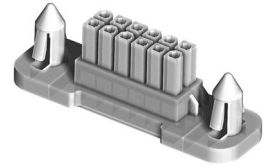
CP

POWER CONNECTORS

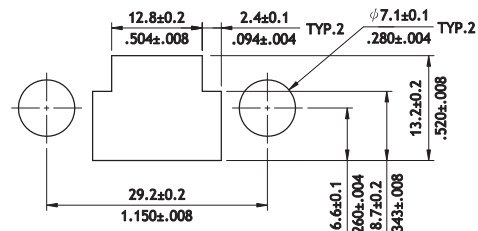
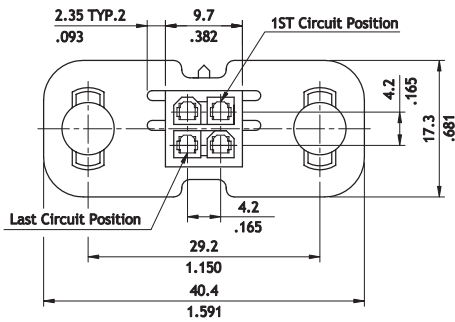
CP-011 Series 4.20mm (.165") Blind Mating Panel Mount Receptacle Connector

- ⊙ Mates with CP-012, CP-013 or CP-014 connector
- ⊙ Nylon 66 UL 94V-0 or V-2 insulator material
- ⊙ Can be used with CP-011 crimp terminal
- ⊙ Terminal accommodated AWG #16 ~ #26

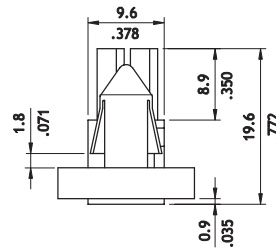
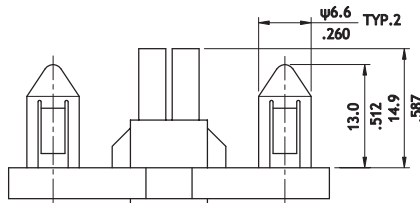
RoHS Compliant



P/N CP-01104060 / CP-01104070



Panel Cutout (Panel Thickness= 1.6±0.05mm)

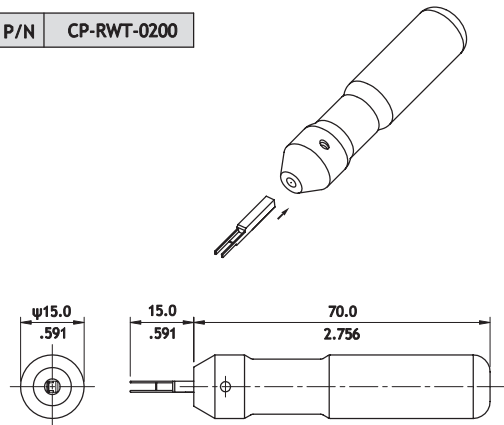
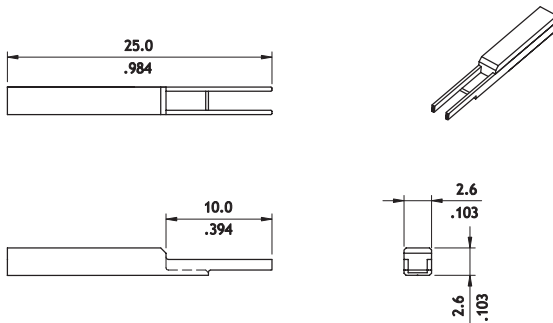


CP-01 Series Extractor Hand Tool

- ⊙ Can be used CP-011 & CP-012 series crimp terminal

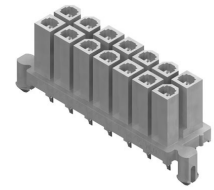
P/N CP-RWT-0201

P/N CP-RWT-0200



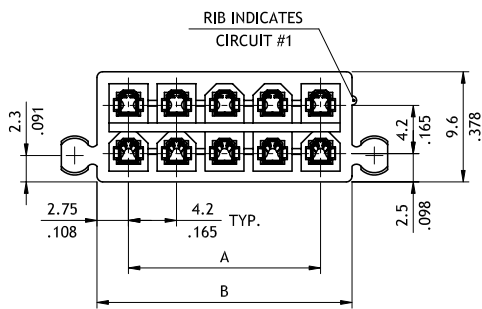
CP-011 Series 4.20mm (.165") Receptacle Board Mount Connectors

- ⊙ With Board Locks
- ⊙ Available in 2 through 24 circuits
- ⊙ Mates with CP-012, CP-013 or CP-014 connector
- ⊙ Nylon 66 UL 94V-0 or V-2 and 46 UL94V-0 insulator material
- ⊙ Glow wire test available

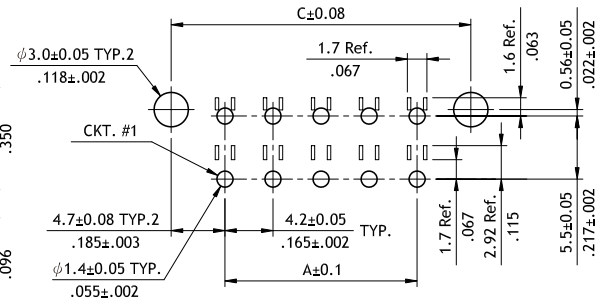
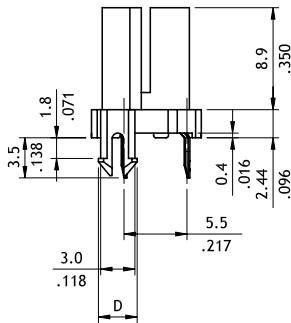
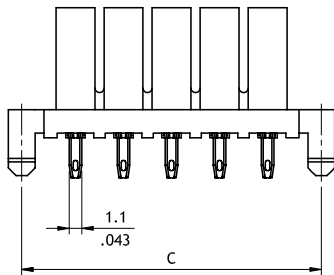


RoHS Compliant

CP



Circuits	Dimension		
	A	B	C
2	—	5.5(.217)	9.4(.370)
4	4.2(.165)	9.7(.382)	13.6(.535)
6	8.4(.331)	13.9(.547)	17.8(.701)
8	12.6(.496)	18.1(.713)	22.0(.866)
10	16.8(.661)	22.3(.878)	26.2(1.031)
12	21.0(.827)	26.5(1.043)	30.4(1.197)
14	25.2(.992)	30.7(1.209)	34.6(1.362)
16	29.4(1.157)	34.9(1.374)	38.8(1.528)
18	33.6(1.322)	39.1(1.539)	43.0(1.693)
20	37.8(1.487)	43.3(1.705)	47.2(1.858)
22	42.0(1.652)	47.5(1.870)	51.4(2.024)
24	46.2(1.817)	51.7(2.035)	55.6(2.189)



Recommended P.C. Board Layout

Ordering Code

① ② ③ ④ ⑤ ⑥

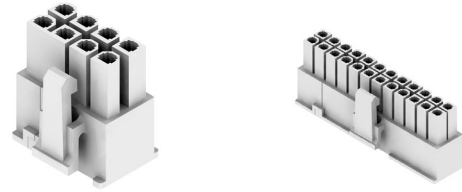
CP - 0 1 1 2 4 1 1 0

- ① Series No.
- ② Connector Type:
1 = Receptacle
- ③ No. of Circuits : 02 ~ 24
- ④ Plating Code : 1 = Tin over Nickel
- ⑤ Variation:
0 = UL 94V-0 (PA46) (DIM. D = 3.2mm)
1 = UL 94V-0 (PA66) (DIM. D = 3.4mm)
2 = UL 94V-2 (PA66) (DIM. D = 3.4mm)
3 = UL 94V-2 (GWT) (DIM. D = 3.4mm)
- ⑥ Other Options: 0 = Standard
*Special options consult manufacturer

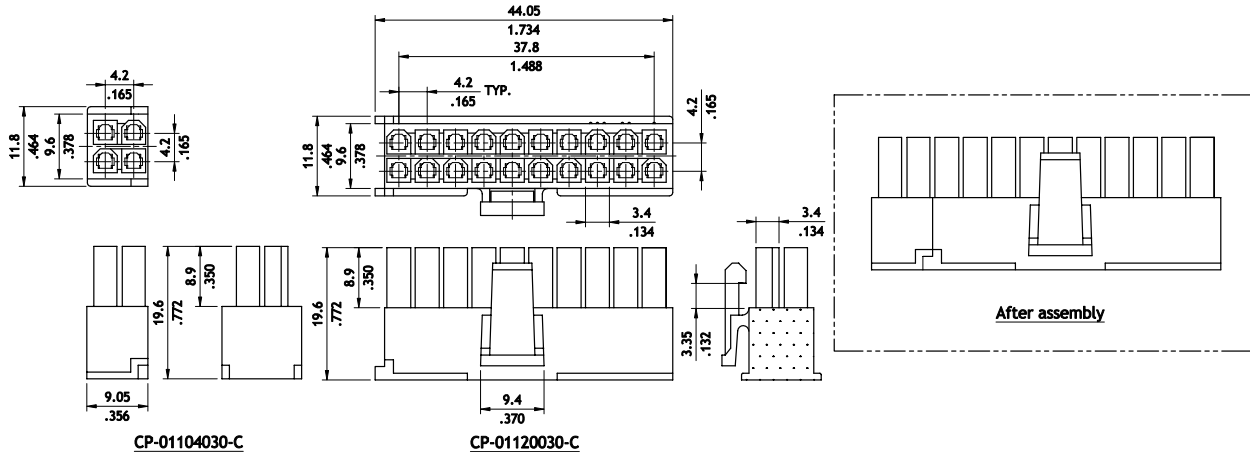
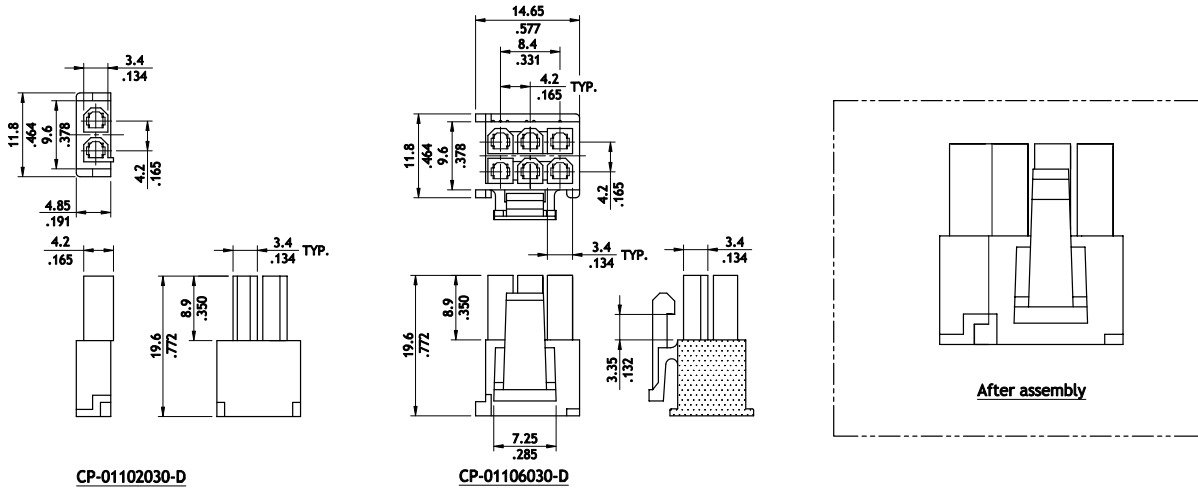
POWER CONNECTORS

CP-011 Series 4.20mm (.165") Assembly Power Connectors

- ⊙ With locking latch
- ⊙ Nylon 66 UL 94V-0 insulator material
- ⊙ Can be used with CP-011 crimp terminal
- ⊙ Terminal accommodated AWG #16 ~ #26



RoHS Compliant



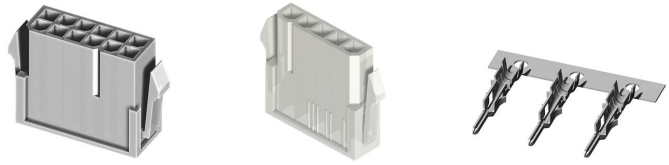
Ordering Code

①	②	③	④	⑤	⑥	⑦
CP	01	1	20	0	1	0 - C

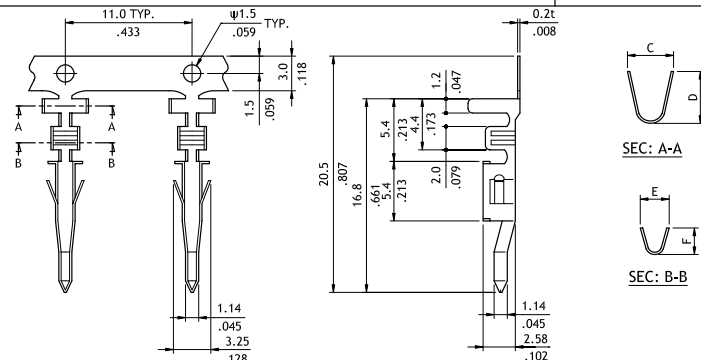
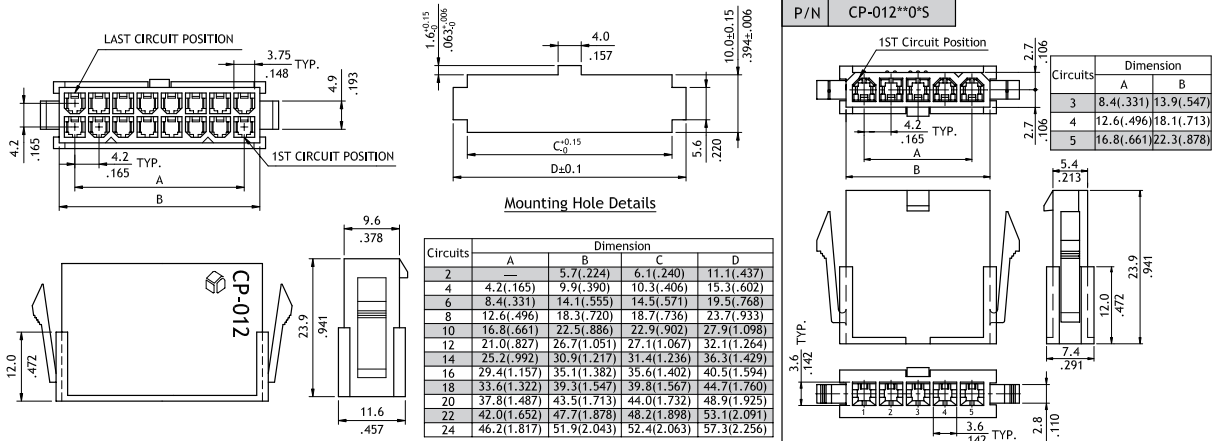
① Series No.
 ② Connector Type: 1 = Receptacle
 ③ No. of Circuits: 02, 04, 06, 20
 ④ Plating Code : 0 = Non plating
 ⑤ Variation: 3 = UL 94V-0
 ⑥ Color Options: 0 = Nature (Standard)
 *Special options consult manufacturer
 ⑦ Other Options:
 C = Assembly Type
 D = PCI-E Assembly Type

CP-012 Series 4.20mm (.165") Plug Connectors

- ⊙ With mounting ears
- ⊙ Available in 2 through 24 circuits
- ⊙ Mate with CP-011 connector
- ⊙ Nylon 66 UL 94V-0 or V-2 insulator material
- ⊙ Can be used with CP-012 crimp terminal
- ⊙ Terminal accommodated AWG #16 ~ #26
- ⊙ Glow Wire test material available



RoHS Compliant



Part No.	Wire Range	Dimension				Insulation Range	Material	Reel Qty
		C	D	E	F			
CP-01200*01	AWG #22-26	3.4(.134)	3.3(.130)	2.5(.098)	2.3(.091)	0.9-1.8(.035-.071)	Brass	5,000 PCS
CP-01200*02	AWG #18-22	4.0(.158)	4.5(.177)	2.5(.098)	2.3(.091)	1.3-3.1(.051-.122)	Brass	4,000 PCS
CP-01200*03	AWG #22-26	3.4(.134)	3.3(.130)	2.5(.098)	2.3(.091)	0.9-1.8(.035-.071)	Phosphor Bronze	5,000 PCS
CP-01200*04	AWG #18-22	4.0(.158)	4.5(.177)	2.5(.098)	2.3(.091)	1.3-3.1(.051-.122)	Phosphor Bronze	4,000 PCS
CP-01200*05	AWG #16	4.0(.158)	4.5(.177)	2.8(.110)	2.6(.102)	1.8-3.1(.071-.122)	Brass	4,000 PCS
CP-01200*06	AWG #16	4.0(.158)	4.5(.177)	2.8(.110)	2.6(.102)	1.8-3.1(.071-.122)	Phosphor Bronze	4,000 PCS
CP-01200*04-HC	AWG #18-22	4.0(.158)	4.5(.177)	2.5(.098)	2.3(.091)	1.3-3.1(.051-.122)	High electric conductive copper alloy	4,000 PCS
CP-01200*06-HC	AWG #16	4.0(.158)	4.5(.177)	2.8(.110)	2.6(.102)	1.8-3.1(.071-.122)	High electric conductive copper alloy	4,000 PCS
CP-01200*07-HC	AWG #28	2.3(.091)	2.3(.091)	1.8(.071)	1.65(.065)	0.9(.035)	High electric conductive copper alloy	6,000 PCS

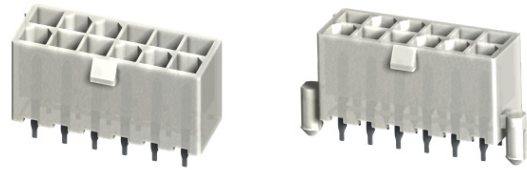
Ordering Code

① ② ③ ④ ⑤ ⑥
CP - 0 1 2 2 4 0 0 0

- ① Series No.
- ② Connector Type : 2 = Plug
- ③ No. of Circuits:
 02 ~ 24 (Dual Row)
 03 ~ 05 (Single Row)
- ④ Plating Code:
 0 = Non plating
- ⑤ Variation:
 0 = UL 94V-2 (with mounting ears)
 1 = UL 94V-2 (without mounting ear)
 2 = UL 94V-0 (with mounting ears)
 3 = UL 94V-0 (without mounting ear)
 E = GWT approval (without mounting ear)
 F = GWT approval (with mounting ears)
- ⑥ Other Options:
 0 = Dual Row
 S = Single Row

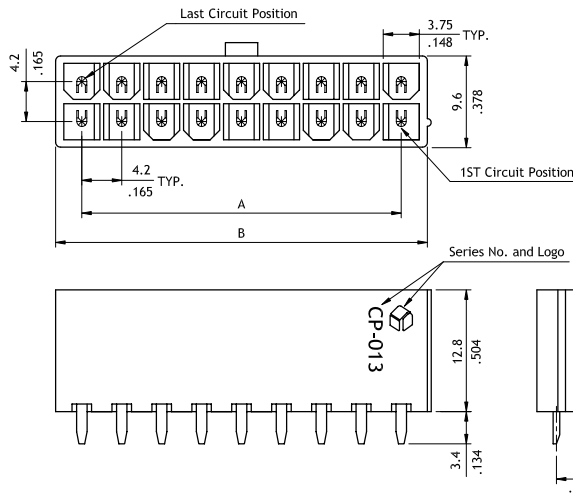
CP-013 Series 4.20mm (.165") Straight DIP Solder Headers

- ⊙ Optional PCB mounting pegs
- ⊙ Mate with CP-011 connector
- ⊙ Nylon 66 UL 94V-0 or V-2 insulator material
- ⊙ Glow wire test material available

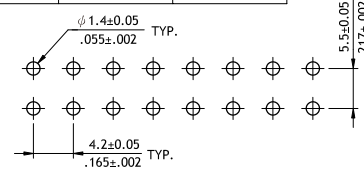


RoHS Compliant

P/N CP-013**110 / CP-013**130 / CP-013**1E0

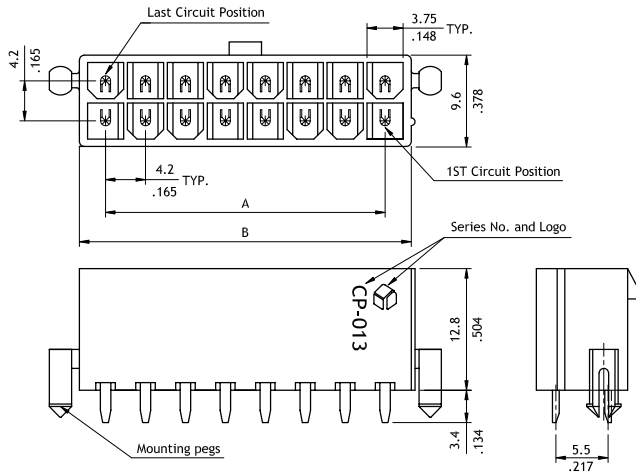


Circuits	Dimension	
	A	B
2	—	5.5(.217)
4	4.2(.165)	9.7(.382)
6	8.4(.331)	13.9(.547)
8	12.6(.496)	18.1(.713)
10	16.8(.661)	22.3(.878)
12	21.0(.827)	26.5(1.043)
14	25.2(.992)	30.7(1.209)
16	29.4(1.157)	34.9(1.374)
18	33.6(1.322)	39.1(1.539)
20	37.8(1.487)	43.3(1.705)
22	42.0(1.652)	47.5(1.870)
24	46.2(1.817)	51.7(2.035)

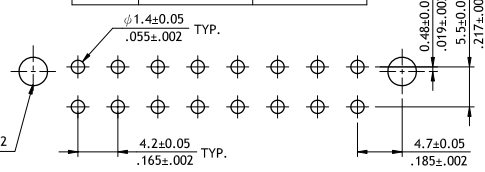


Recommended P.C. Board Layout

P/N CP-013**140 / CP-013**150 / CP-013**1G0



Circuits	Dimension	
	A	B
2	—	5.5(.217)
4	4.2(.165)	9.7(.382)
6	8.4(.331)	13.9(.547)
8	12.6(.496)	18.1(.713)
10	16.8(.661)	22.3(.878)
12	21.0(.827)	26.5(1.043)
14	25.2(.992)	30.7(1.209)
16	29.4(1.157)	34.9(1.374)
18	33.6(1.322)	39.1(1.539)
20	37.8(1.487)	43.3(1.705)
22	42.0(1.652)	47.5(1.870)
24	46.2(1.817)	51.7(2.035)



Recommended P.C. Board Layout

Ordering Code

① ② ③ ④ ⑤ ⑥
CP - 0 1 3 2 4 1 1 0

- ① Series No.
- ② Connector Type:
3 = Straight PCB mount header
- ③ No. of Circuits :
see above table
- ④ Plating Code :
1 = Tin over Nickel

- ⑤ Variation:
1 = UL 94V-2 (without mounting peg)
3 = UL 94V-0 (without mounting peg)
4 = UL 94V-2 (with mounting pegs)
5 = UL 94V-0 (with mounting pegs)
E = GWT approval (without mounting peg)
G = GWT approval (with mounting pegs)

- ⑥ Other Options:
0 = Standard (with drain holes shown, non for 2 pin Type)
H = Without drain hole
*Special options consult manufacturer

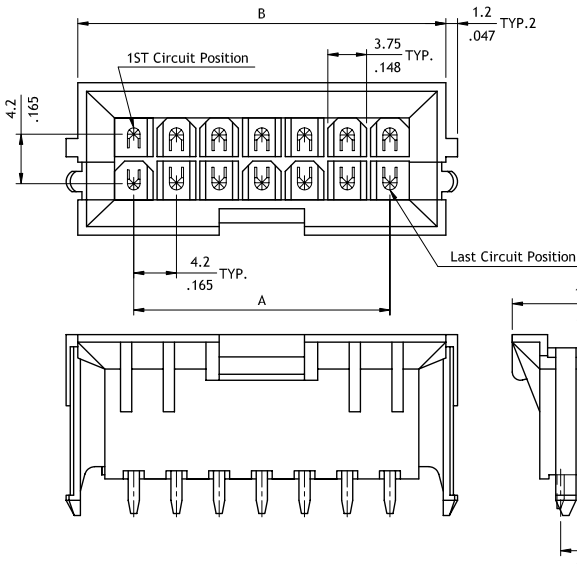
CP-013 Series 4.20mm (.165") Straight DIP Solder Headers

- ⊙ Optional PCB mounting pegs
- ⊙ Mates with CP-011 Connector
- ⊙ Nylon 66 UL 94V-0 or V-2 insulator material
- ⊙ Glow Wire test material available

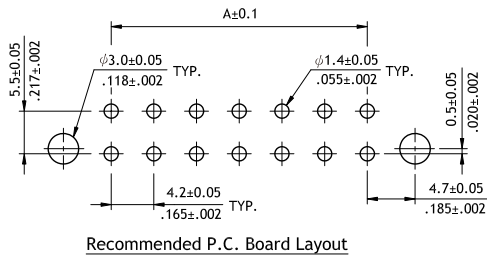
RoHS Compliant



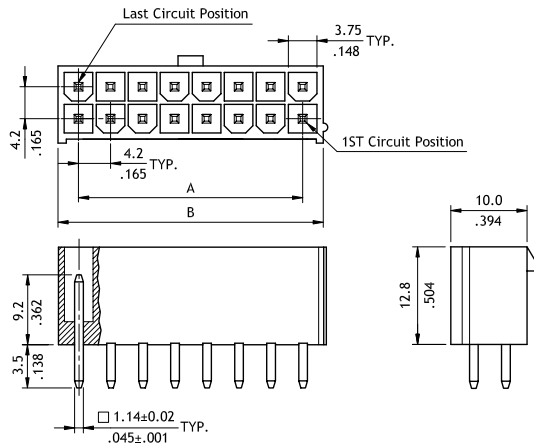
P/N CP-013**160 / CP-013**170 / CP-013**1H0



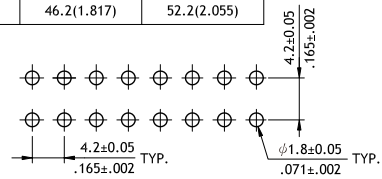
Circuits	Dimension	
	A	B
4	4.2(.165)	15.1(.594)
6	8.4(.331)	19.3(.760)
8	12.6(.496)	23.5(.925)
10	16.8(.661)	27.7(1.091)
14	25.2(.992)	36.1(1.421)
16	29.4(1.157)	40.3(1.587)
18	33.6(1.323)	44.5(1.752)
24	46.2(1.819)	57.1(2.248)



P/N CP-013**180 / CP-013**190 / CP-013**1J0



Circuits	Dimension	
	A	B
2	—	6.0(.236)
4	4.2(.165)	10.2(.402)
6	8.4(.331)	14.4(.567)
8	12.6(.496)	18.6(.732)
10	16.8(.661)	22.8(.898)
12	21.0(.827)	27.0(1.063)
14	25.2(.992)	31.2(1.228)
16	29.4(1.157)	35.4(1.394)
18	33.6(1.322)	39.6(1.559)
20	37.8(1.487)	43.8(1.724)
22	42.0(1.652)	48.0(1.890)
24	46.2(1.817)	52.2(2.055)



Ordering Code

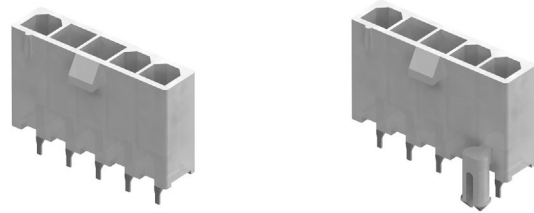
① ② ③ ④ ⑤ ⑥
CP - 01 3 2 4 1 6 0

- ① Series No.
- ② Connector Type:
3 = Straight PCB mount header
- ③ No. of Circuits : see above table
- ④ Plating Code : 1 = Tin over Nickel
- ⑤ Variation :
6 = UL 94V-2 (B.M.I Type)
7 = UL 94V-0 (B.M.I Type)
8 = UL 94V-2 (with square pin)
9 = UL 94V-0 (with square pin)
J = GWT approval (with square pin)
H = GWT approval (B.M.I Type)
- ⑥ Other Options: 0 = Standard

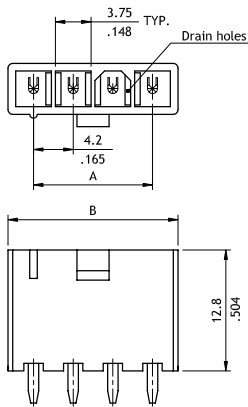
CP-013 Series 4.20mm (.165") Straight DIP Solder Headers

- Ⓞ Optional PCB mounting pegs
- Ⓞ Mate with CP-011 Connector
- Ⓞ Nylon 66 UL 94V-0 or V-2 insulator material

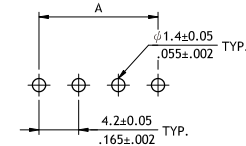
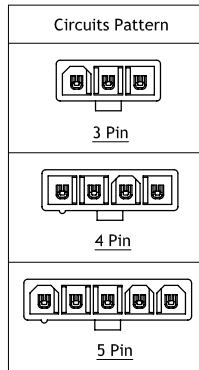
RoHS Compliant



P/N CP-013**11S / CP-013**13S / CP-013**16S / CP-013**17S

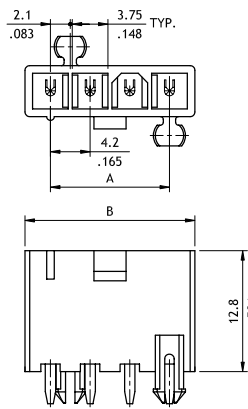


Circuits	Dimension	
	A	B
3	8.4(.331)	13.8(.543)
4	12.6(.496)	18.0(.709)
5	16.8(.661)	22.2(.874)

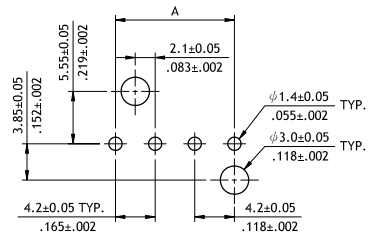
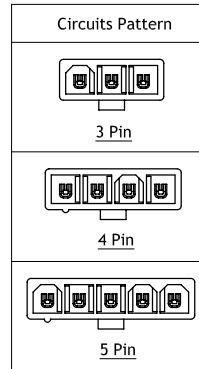


Recommended P.C. Board Layout

P/N CP-013**14S / CP-013**15S / CP-013**18S / CP-013**19S



Circuits	Dimension	
	A	B
3	8.4(.331)	13.8(.543)
4	12.6(.496)	18.0(.709)
5	16.8(.661)	22.2(.874)



Recommended P.C. Board Layout

Ordering Code

① CP - 01 ② 3 ③ 05 ④ 1 ⑤ S ⑥ S

- ① Series No.
- ② Connector Type:
3 = Straight PCB mount header
- ③ No. of Circuits: see above table
- ④ Plating Code: 1 = Tin over Nickel

- ⑤ Variation:
 - Without mounting peg:
 - 1 = UL 94V-2 (with drain holes)
 - 3 = UL 94V-0 (with drain holes)
 - 6 = UL 94V-2 (without drain hole)
 - 7 = UL 94V-0 (without drain hole)
 - With mounting pegs:
 - 4 = UL 94V-2 (with drain holes)
 - 5 = UL 94V-0 (with drain holes)
 - 8 = UL 94V-2 (without drain hole)
 - 9 = UL 94V-0 (without drain hole)

- ⑥ Other Options:
S = Single Row Header

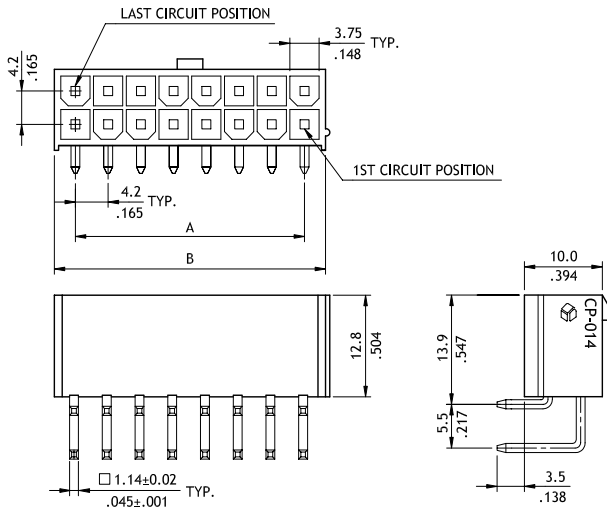
CP-014 Series 4.20mm (.165") Right Angle DIP Solder Headers

- ⊙ Option with mounting ears
- ⊙ Mate with CP-011 connector
- ⊙ Nylon 66 UL 94V-0 or V-2 insulator material

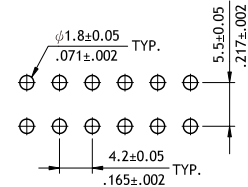
RoHS Compliant  



P/N CP-014**110 / CP-014**130

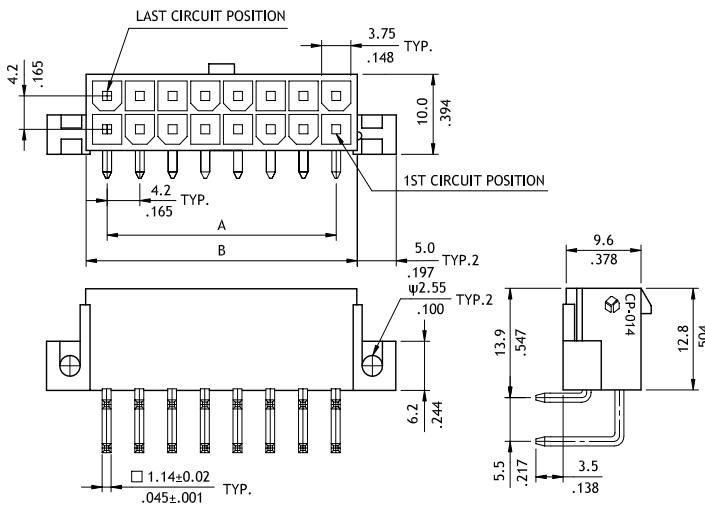


Circuits	Dimension	
	A	B
2	—	6.0(.236)
4	4.2(.165)	10.2(.402)
6	8.4(.331)	14.4(.567)
8	12.6(.496)	18.6(.732)
10	16.8(.661)	22.8(.898)
12	21.0(.827)	27.0(1.063)
14	25.2(.992)	31.2(1.228)
16	29.4(1.157)	35.4(1.394)
18	33.6(1.322)	39.6(1.559)
20	37.8(1.487)	43.8(1.724)
22	42.0(1.652)	48.0(1.890)
24	46.2(1.817)	52.2(2.055)

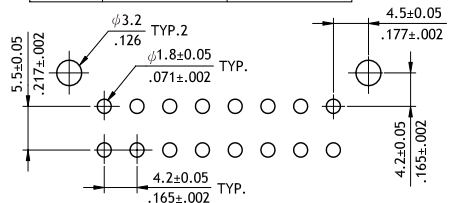


Recommended P.C. Board Layout

P/N CP-014**100 / CP-014**120



Circuits	Dimension	
	A	B
2	—	6.0(.236)
4	4.2(.165)	10.2(.402)
6	8.4(.331)	14.4(.567)
8	12.6(.496)	18.6(.732)
10	16.8(.661)	22.8(.898)
12	21.0(.827)	27.0(1.063)
14	25.2(.992)	31.2(1.228)
16	29.4(1.157)	35.4(1.394)
18	33.6(1.322)	39.6(1.559)
20	37.8(1.487)	43.8(1.724)
22	42.0(1.652)	48.0(1.890)
24	46.2(1.817)	52.2(2.055)



Recommended P.C. Board Layout

Ordering Code

① CP - 01 ② 4 ③ 24 ④ 1 ⑤ 0 ⑥ 0

- ① Series No.
- ② Connector Type : 4 = Right Angle Header
- ③ No. of Circuits : see above table
- ④ Plating Code : 1 = Tin over Nickel

- ⑤ Variation:
 - 0 = UL 94V-2 (with mounting ears)
 - 1 = UL 94V-2 (without mounting ear)
 - 2 = UL 94V-0 (with mounting ears)
 - 3 = UL 94V-0 (without mounting ear)
 - ⑥ Other Options: 0 = Standard
- *Special options consult manufacturer

CP

POWER CONNECTORS

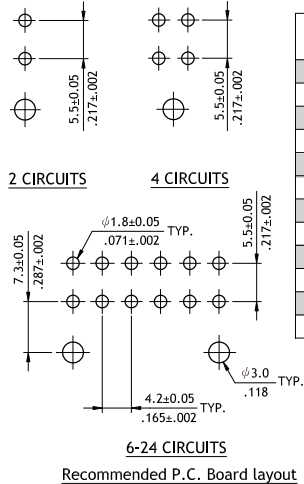
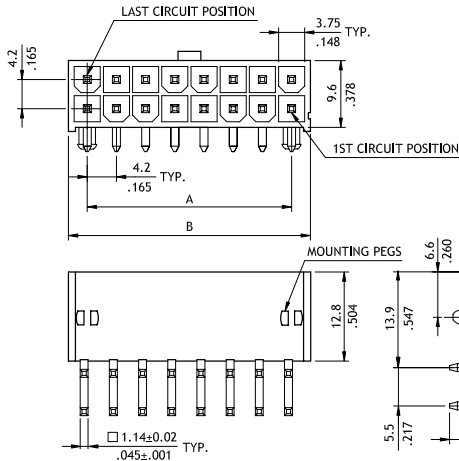
CP-014 Series 4.20mm (.165") Right Angle DIP Solder Headers

- ⊙ Optional with mounting ears or pegs
- ⊙ Mate with CP-011 connector
- ⊙ Nylon 66 UL 94V-0 or V-2 insulator material
- ⊙ Glow wire test approval material available

RoHS Compliant

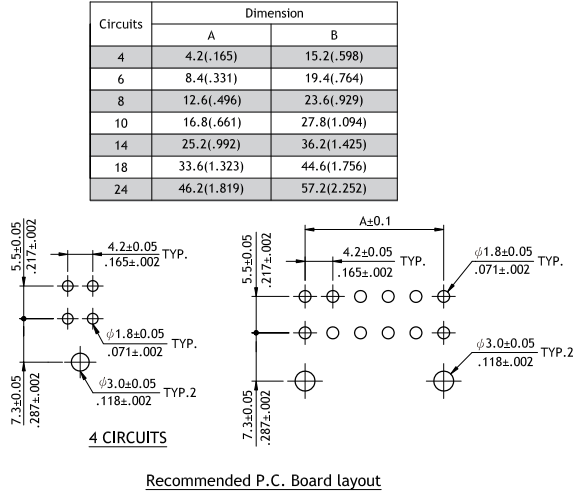
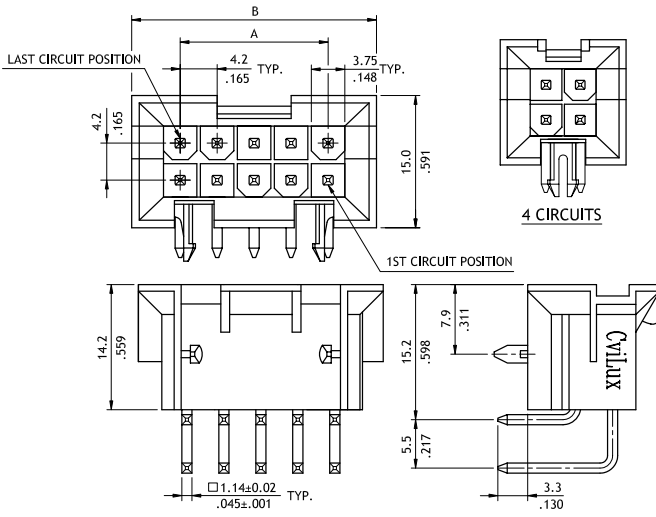


P/N CP-014**140 / CP-014**150 / CP-014**1G0



Circuits	Dimension	
	A	B
2	—	6.0(.236)
4	4.2(.165)	10.2(.402)
6	8.4(.331)	14.4(.567)
8	12.6(.496)	18.6(.732)
10	16.8(.661)	22.8(.898)
12	21.0(.827)	27.0(1.063)
14	25.2(.992)	31.2(1.228)
16	29.4(1.157)	35.4(1.394)
18	33.6(1.322)	39.6(1.559)
20	37.8(1.487)	43.8(1.724)
22	42.0(1.652)	48.0(1.890)
24	46.2(1.817)	52.2(2.055)

P/N CP-014**160 / CP-014**170 / CP-014**1H0



Circuits	Dimension	
	A	B
4	4.2(.165)	15.2(.598)
6	8.4(.331)	19.4(.764)
8	12.6(.496)	23.6(.929)
10	16.8(.661)	27.8(1.094)
14	25.2(.992)	36.2(1.425)
18	33.6(1.323)	44.6(1.756)
24	46.2(1.819)	57.2(2.252)

Ordering Code

① ② ③ ④ ⑤ ⑥
CP - 01 4 24 1 4 0

- ① Series No.
- ② Connector Type :
4 = Right Angle Header
- ③ No. of Circuits : see above table
- ④ Plating Code : 1 = Tin over Nickel
- ⑤ Variation:
4 = UL 94V-2 (with mounting pegs)
5 = UL 94V-0 (with mounting pegs)
6 = UL 94V-2 (B.M.I Type)
7 = UL 94V-0 (B.M.I Type)
G = GWT Type (with mounting pegs)
H = GWT Type (B.M.I Type)
- ⑥ Other Options: 0 = Standard
*Special options consult manufacturer

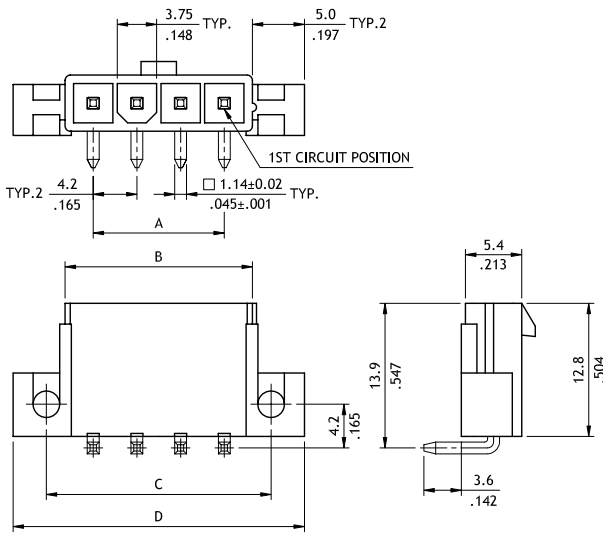
CP-014 Series 4.20mm (.165") Right Angle DIP Solder Headers

- ⊙ Option with mounting ears or pegs
- ⊙ Mate with CP-011 connector
- ⊙ Nylon 66 UL 94V-0 or V-2 insulator material

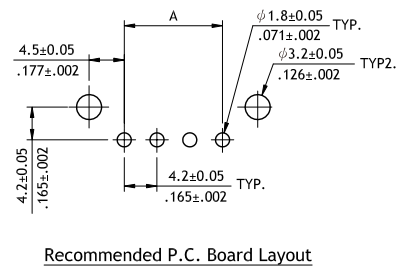
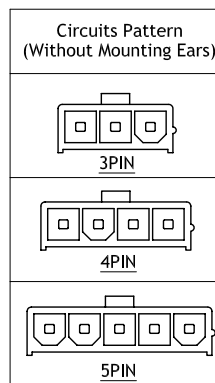
RoHS Compliant 



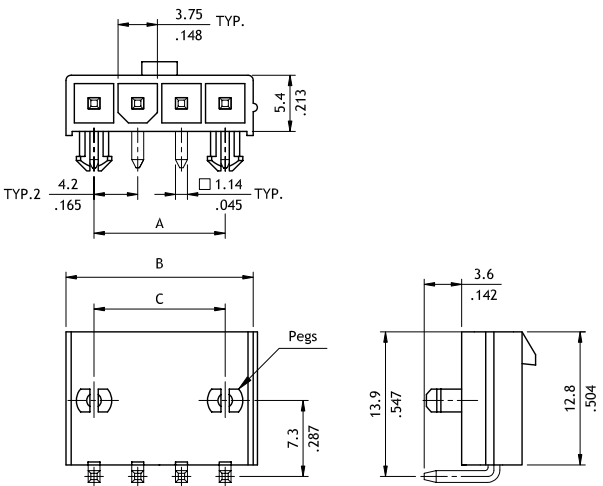
P/N CP-014**10S / CP-014**12S



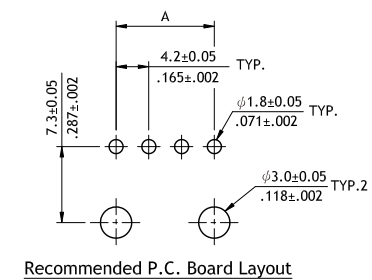
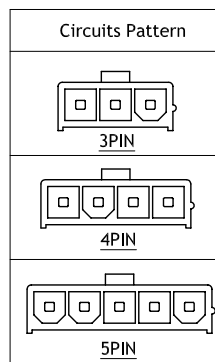
Circuits	Dimension			
	A	B	C	D
3	8.4(.331)	13.8(.543)	17.4(.685)	23.8(.937)
4	12.6(.496)	18.0(.709)	21.6(.850)	28.0(1.102)
5	16.8(.661)	22.2(.874)	25.8(1.016)	32.2(1.268)



P/N CP-014**11S / CP-014**13S/CP-014**14S / CP-014**15S



Circuits	Dimension		
	A	B	C
3	8.4(.331)	13.8(.543)	8.4(.331)
4	12.6(.496)	18.0(.709)	12.6(.496)
5	16.8(.661)	22.2(.874)	16.8(.661)



Ordering Code

① ② ③ ④ ⑤ ⑥
CP - 0 1 4 0 5 1 0 S

- ① Series No.
- ② Connector Type: 4 = Right Angle Header
- ③ No. of Circuits : see above table
- ④ Plating Code : 1 = Tin over Nickel

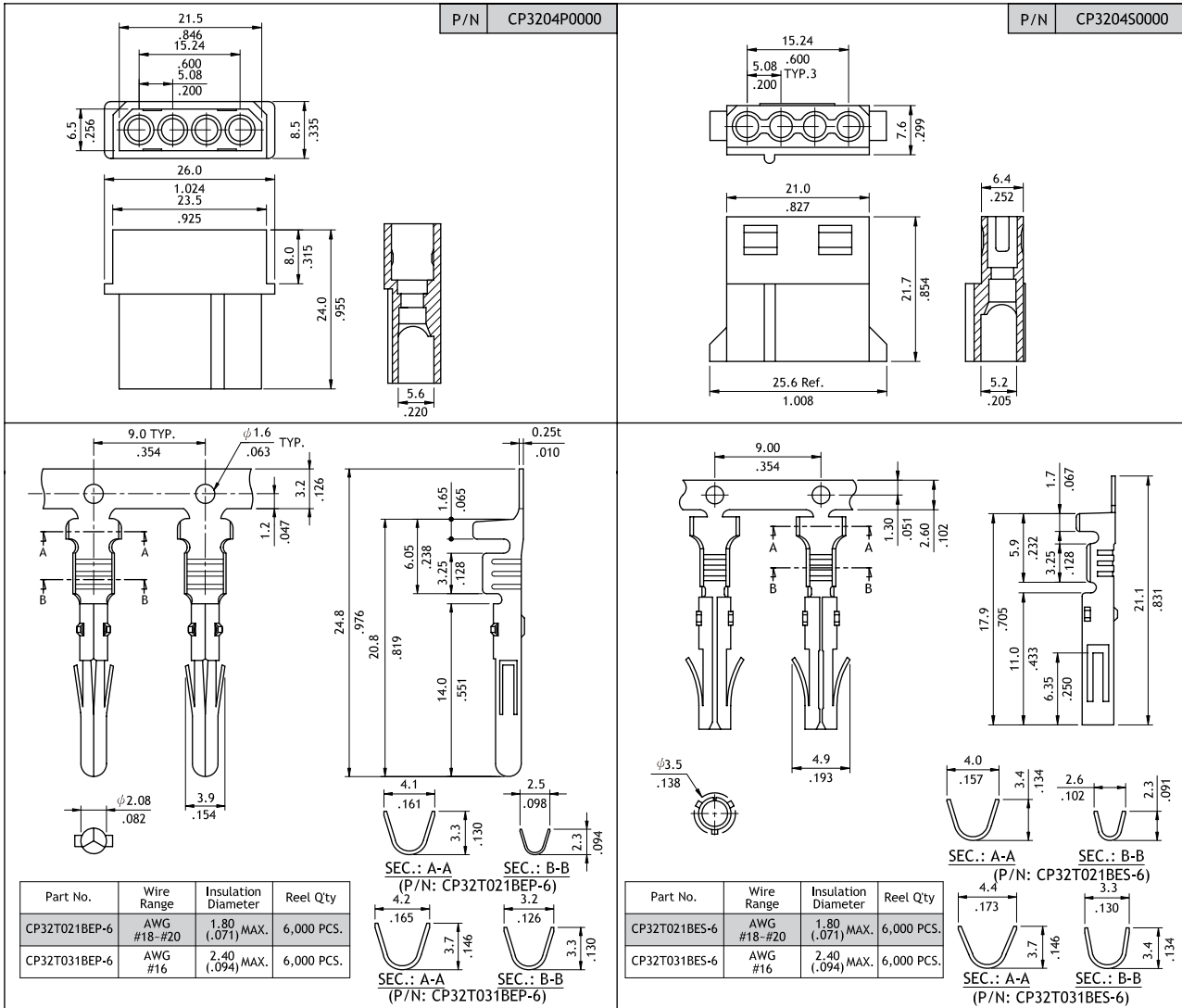
- ⑤ Variation:
 - 0 = UL 94V-2 (with mounting ears)
 - 1 = UL 94V-2 (without mounting ear and peg)
 - 2 = UL 94V-0 (with mounting ears)
 - 3 = UL 94V-0 (without mounting ear and peg)
 - 4 = UL 94V-2 (with mounting pegs)
 - 5 = UL 94V-0 (with mounting pegs)
- ⑥ Other Options : S = Single Row Header
 *Special options consult manufacturer

CP32 Series 5.08mm (.200") Power Connectors

- ⊙ Power connector for Disk Driver
- ⊙ Can be used with CP32 Crimp terminal
- ⊙ Nylon 66 UL 94V-2, Color Nature
- ⊙ Terminal: Tin plated Brass



RoHS Compliant



Ordering Code

① ② ③ ④ ⑤

CP 3 2 0 4 S 0 000

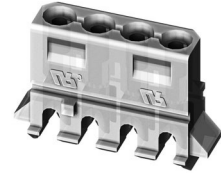
- ① Series No.
- ② No. of Circuits: 04
- ③ Type: P = Plug
S = Receptacle
- ④ Color: 0 = Nature
- ⑤ Other Options:
000 = Standard
*Special options consult manufacturer

CP

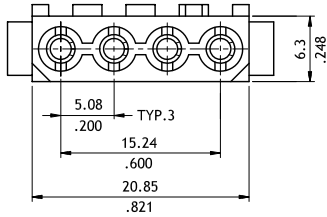
POWER CONNECTORS

CP33 Series 5.08mm (.200") IDC Receptacle Power Connectors

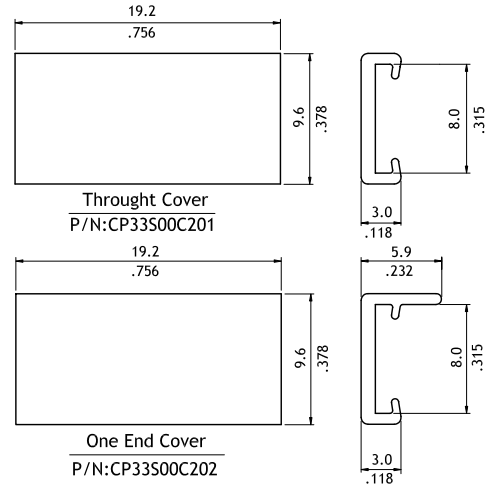
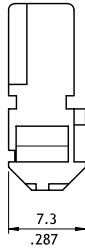
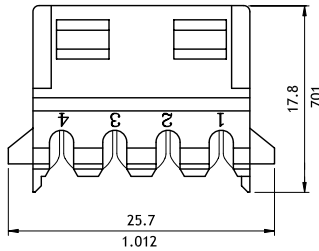
- ⊙ Insulator displacement termination
- ⊙ Option closed end daisy chain cover
- ⊙ Mates with CP32 or CP33 plug connector
- ⊙ Accept AWG #18 ~#22 wire
- ⊙ Nylon 66 UL 94V-0 or V-2 Color Nature
- ⊙ Contact: Tin plated Phosphor Bronze



RoHS Compliant



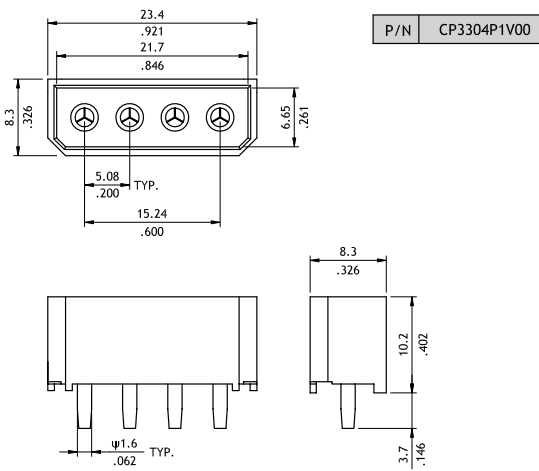
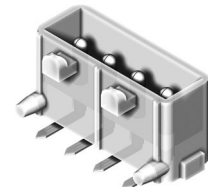
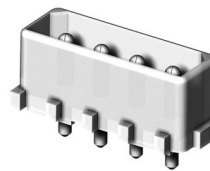
Part No.	Flame Class	Wire Range
CP3304S1000	94V-2	AWG #18-#20
CP3304S100A	94V-2	AWG #22
CP3304S100B	94V-0	AWG #18-#20
CP3304S100C	94V-0	AWG #22



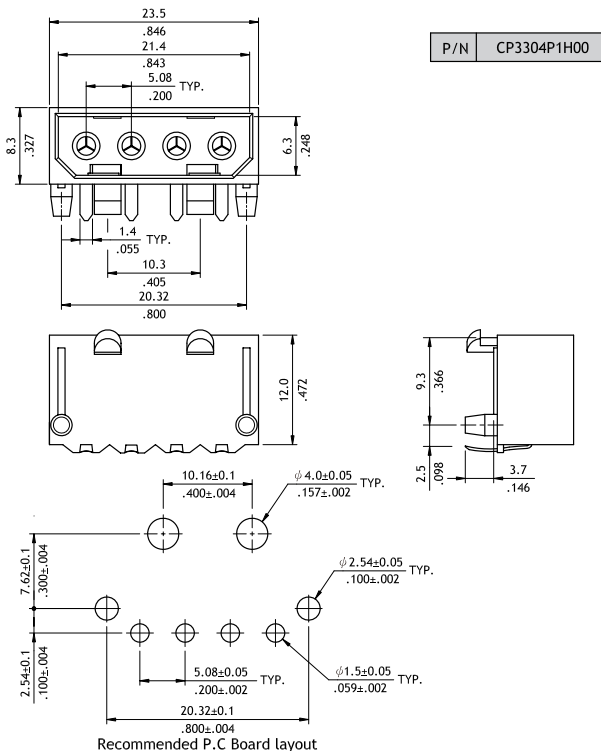
CP33 Series 5.08mm (.200") Board Mount Plug Power Connectors

- ⊙ Optional mounting pegs
- ⊙ Mate with CP32 or CP33 Receptacle connector
- ⊙ Nylon 66 UL V-2 Color Nature
- ⊙ Contact: Tin plated Brass

RoHS Compliant



Recommended P.C Board layout



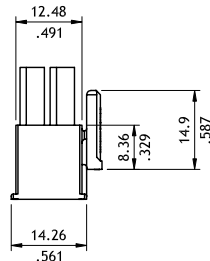
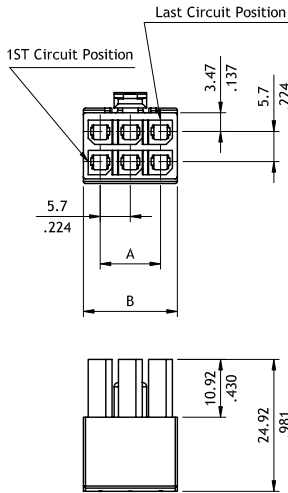
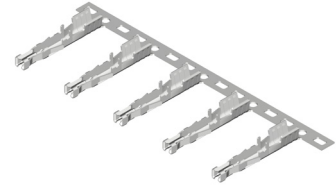
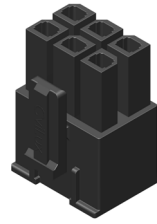
Recommended P.C Board layout

CP60 Series 5.7mm (.224) Dual Row Receptacle Connectors

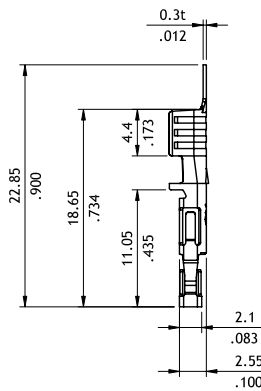
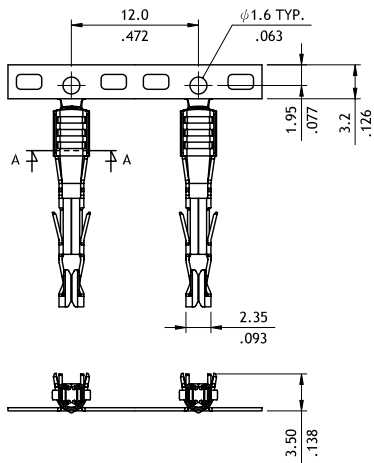
- ⊙ Mate with CP60 Header
- ⊙ Can be used with CP60 Crimp Clip terminal
- ⊙ Insulator : UL 94V-0 , Color Black
- ⊙ Terminal accommodated AWG#12~#16
- ⊙ Maximum applied current 23A

NEW

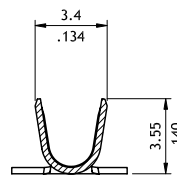
RoHS Compliant



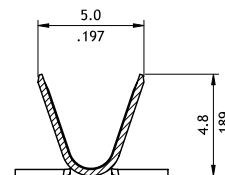
Circuits	Dimension	
	A	B
2	-	8.35(.329)
4	5.7(.224)	12.05(.474)
6	11.4(.449)	17.75(.699)
8	17.1(.673)	23.45(.923)
10	22.8(.898)	29.15(1.148)
12	28.5(1.122)	34.85(1.372)



P/N	Wire Range	Reel Qty
CP60T04*PP0-HC	AWG #12	4,000 PCS
CP60T03*PP0-HC	AWG #14-#16	4,250 PCS



SEC. A-A
P/N:CP60T03*PP0-HC



SEC. A-A
P/N:CP60T04*PP0-HC

Ordering Code

① ② ③ ④ ⑤
CP60 12 S N01 0

- ① Series No.
- ② No. of Circuits: 02 ~ 12
- ③ S = Housing
- ④ Color: N01 = Black Color
- ⑤ Other options : 0= Standard

① ② ③ ④ ⑤ ⑥
CP60 T04 1 PP 0 - HC

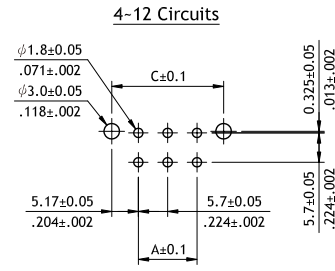
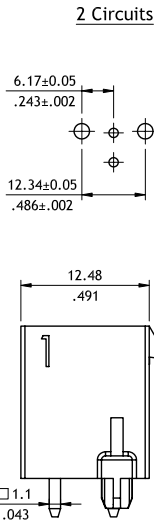
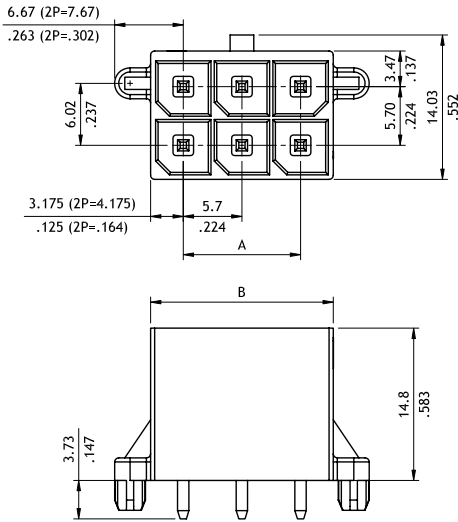
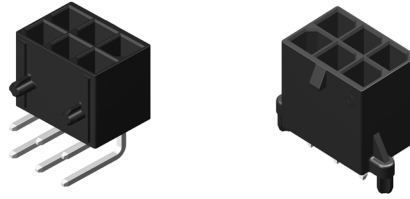
- ① Series No.
- ② Wire Range: T04 = AWG #12 , T03 = AWG #14 - #16
- ③ Plating Code:
 - 1 = Tin over Nickel
 - B = Selective 15μ" Gold flash over Nickel
 - C = Selective 30μ" Gold flash over Nickel
- ④ Plating method : PP =Post plating
- ⑤ Options: 0 = Standard
- ⑥ HC= High Current Copper Alloy

CP60 Series 5.7mm (.224) Dual Row Board Mount Header

- ⊙ Mate with CP60 Connector
- ⊙ High temperature plastic UL 94V-0
- ⊙ With PCB mounting pegs
- ⊙ Maximum applied current 23A

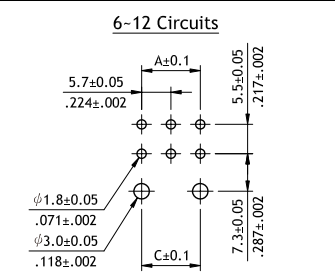
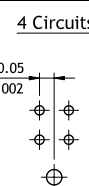
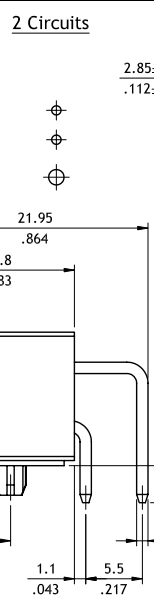
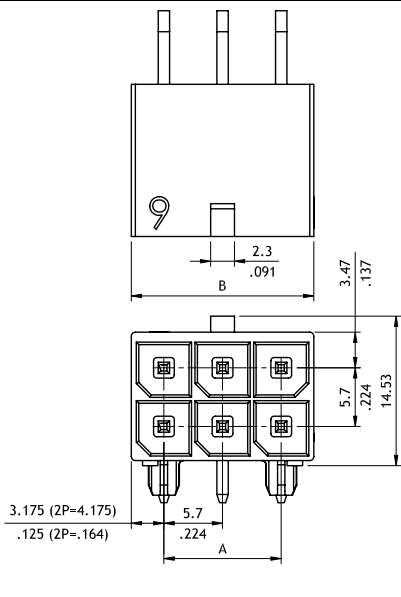
NEW

RoHS Compliant  



Recommended P.C. Board layout

Circuits	Dimension		
	A	B	C
2	-	8.35(.329)	12.34(.486)
4	5.7(.224)	12.05(.474)	16.04(.631)
6	11.4(.449)	17.75(.699)	21.74(.856)
8	17.1(.673)	23.45(.923)	27.44(1.080)
10	22.8(.898)	29.15(1.148)	33.14(1.305)
12	28.5(1.122)	34.85(1.372)	38.84(1.529)



Recommended P.C. Board layout

Circuits	Dimension		
	A	B	C
2	-	8.35(.329)	-
4	5.7(.224)	12.05(.474)	-
6	11.4(.449)	17.75(.699)	11.4(.449)
8	17.1(.673)	23.45(.923)	17.1(.673)
10	22.8(.898)	29.15(1.148)	22.8(.898)
12	28.5(1.122)	34.85(1.372)	28.5(1.122)

Ordering Code

① ② ③ ④ ⑤ ⑥ ⑦
CP60 12 P 1 V 00 - NH

- ① Series No.
- ② No. of Circuits: 02 ~ 12
- ③ P = DIP Type
- ④ Plating Code:
 1 = Tin over Nickel
 B= Selective 15μ" Gold flash over Nickel
 C= Selective 30μ" Gold flash over Nickel
- ⑤ Type
 V= Straight Type
 H= Right Angle Type
- ⑥ Option : 00= Standard
- ⑦ NH = For Lead Free soldering process and Halogen-Free

CP

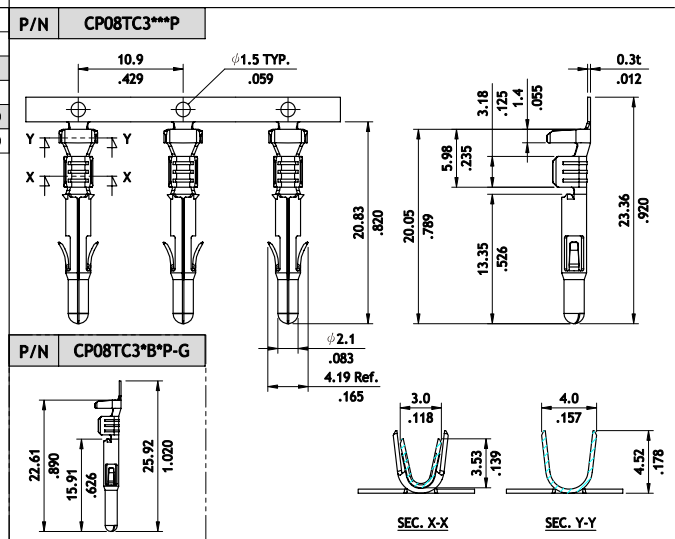
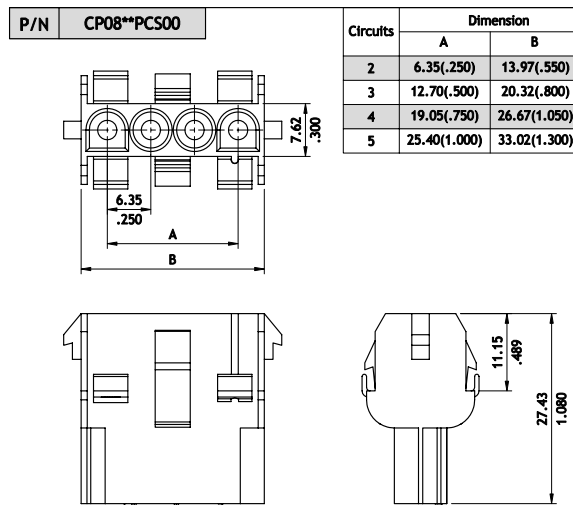
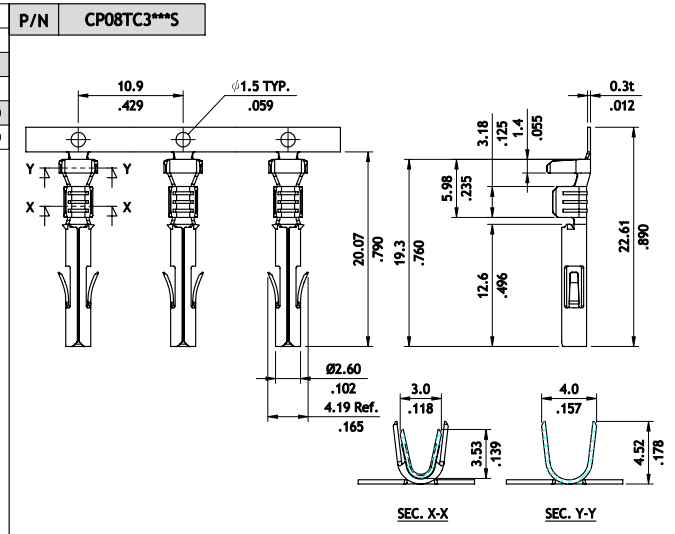
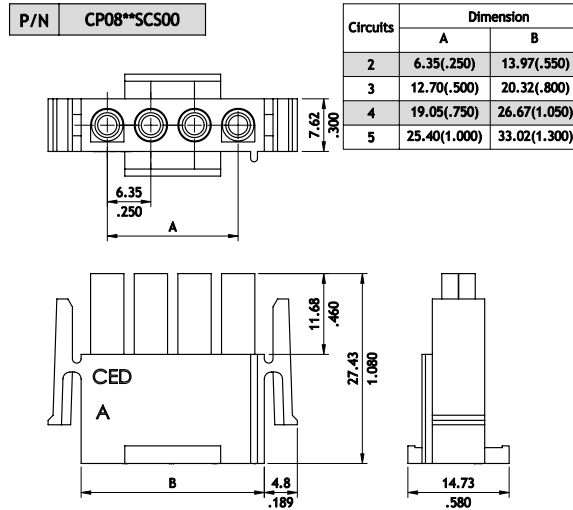
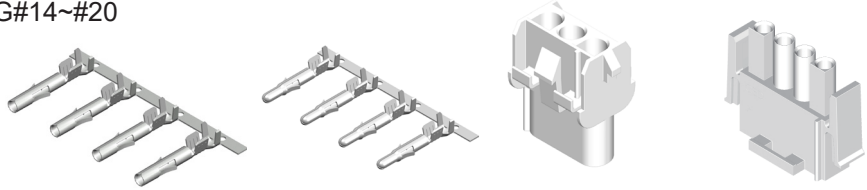
POWER CONNECTORS

CP08 Series 6.35mm (.250) Single Row Power Connectors

- ⊙ Can be used CP08 Crimp Clip terminal
- ⊙ Insulator Nylon 66 UL 94V-0 , Color Nature
- ⊙ Mate with CP08 Header
- ⊙ Terminal accommodated AWG#14~#20

NEW

RoHS Compliant



Ordering Code

① CP08 ② 10 ③ S ④ CS ⑤ 00 ① CP08 ② TC3 ③ 1 ④ P ⑤ EP - ⑥ G

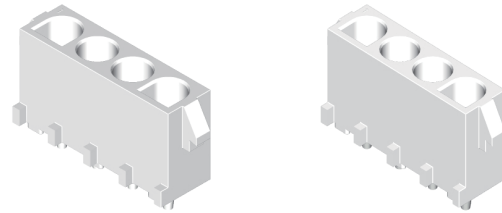
- ① Series No.
- ② No. of Circuits: 02 ~ 06 , 08 , 10
- ③ S = Receptacle Housing
P = Plug Housing
- ④ Type: CS = Single Row
- ⑤ Other Option: 00 = Standard
- ① Series No.
- ② Wire Range: TC3 = AWG #14 ~ #20
- ③ Plating Code :
1 = Tin over Nickel
C = Selective 30µ" Gold flash over Nickel
- ④ Material: P = Phosphor Bronze
B = Brass
- ⑤ Option:
ES = Receptacle Terminal (Tin)
EP = Plug Terminal (Tin)
PS = Receptacle Terminal (Gold)
PP = Plug Terminal (Gold)
- ⑥ G = Ground Type
(Only for Plug terminal)

CP08 Series 6.35mm (.250) Single Row Power Connectors

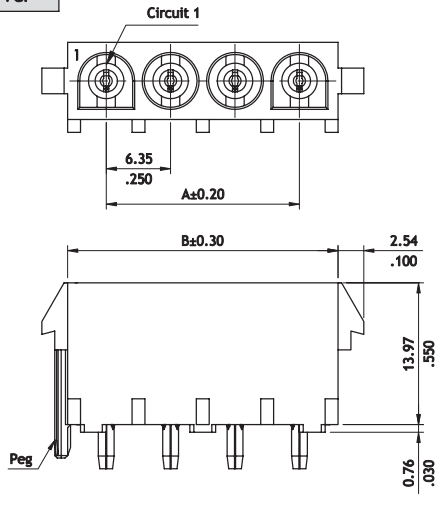
- ⊙ Insulator Nylon 66 UL 94V-0 , Color Nature
- ⊙ Mate with CP08 Housing
- ⊙ With PCB mounting pegs

NEW

RoHS Compliant  

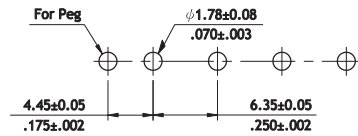
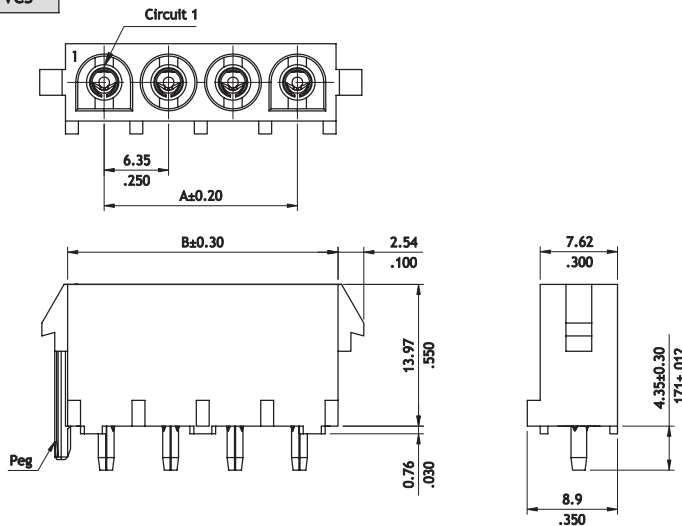


P/N CP08**P1VCP



Circuits	Dimension	
	A	B
2	6.35	13.97
3	12.70	20.32
4	19.05	26.67
5	25.40	33.02

P/N CP08**P1VCS



Recommended P.C. Board layout

Ordering Code

① ② ③ ④ ⑤ ⑥ ⑦
CP08 05 P 1 V C P

- ① Series No.
- ② No. of Circuits: 02 ~ 05
- ③ Contact Type : P = Board mount type
- ④ Plating Code :1 = Tin over Nickel
- ⑤ Type: V=Straight Type
- ⑥ Material: C = Single Row
- ⑦ Other Options: P = Male contact
S = Female contact

CP

POWER CONNECTORS

CP08 Series 6.35mm (.250) Triple Row Power Connectors

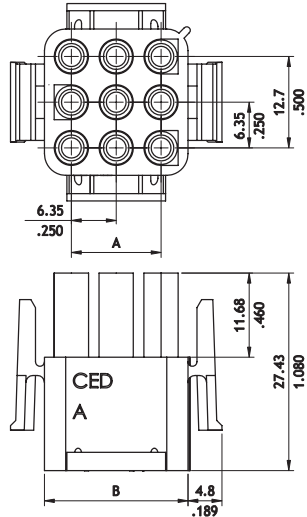
- ⊙ Can be used CP08 Crimp Clip terminal
- ⊙ Insulator Nylon 66 UL 94V-0 , Color Nature
- ⊙ Mate with CP08 Triple Row Header
- ⊙ Terminal accommodated AWG#14~#20

NEW

RoHS Compliant

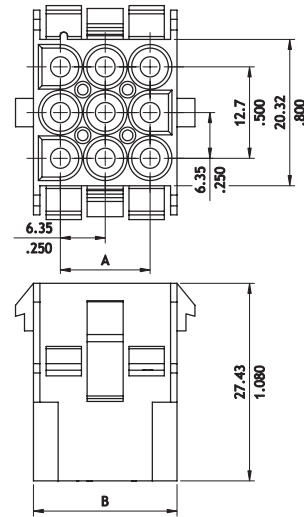


P/N CP08**SCT00
Mate with CP08TC3***S



Circuits	Dimension	
	A	B
6	6.35(.250)	13.97(.550)
9	12.70(.500)	20.32(.800)
12	19.05(.750)	26.67(1.050)
15	25.40(1.000)	33.02(1.300)

P/N CP08**PCT00
Mate with CP08TC3***P



Circuits	Dimension	
	A	B
6	6.35(.250)	13.97(.550)
9	12.70(.500)	20.32(.800)
12	19.05(.750)	26.67(1.050)
15	25.40(1.000)	33.02(1.300)

Ordering Code

① CP ② 08 ③ 12 ④ S ⑤ CT ⑥ 00

- ① Series No.
- ② No. of Circuits: 06 , 09 , 12 , 15
- ③ S = Receptacle Housing
- ④ Type : CT = Triple Row
- ⑤ Other options : 00= Standard

① CP ② 08 ③ 10 ④ P ⑤ CT ⑥ 00

- ① Series No.
- ② No. of Circuits: 06 , 09 , 12 , 15
- ③ P = Plug Housing
- ④ Type : CT = Triple Row
- ⑤ Other options : 00= Standard

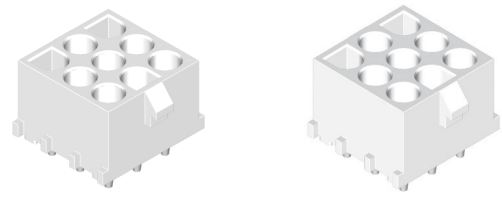
POWER CONNECTORS

CP08 Series 6.35mm (.250) Triple Row Power Connectors

- ⊙ Insulator Nylon 66 UL 94V-0 , Color Nature
- ⊙ Mate with CP08 Triple Row Header
- ⊙ Option PCB mounting ped

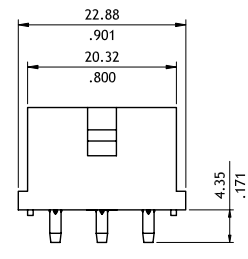
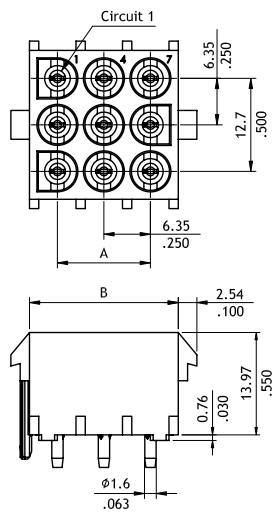
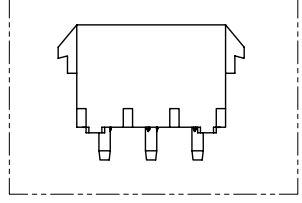
NEW

RoHS Compliant



P/N CP08**P1VDP

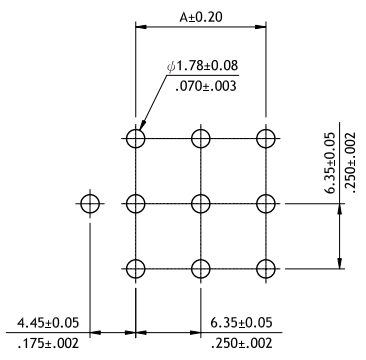
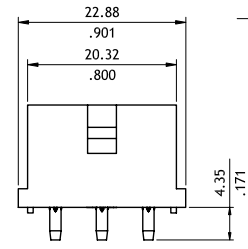
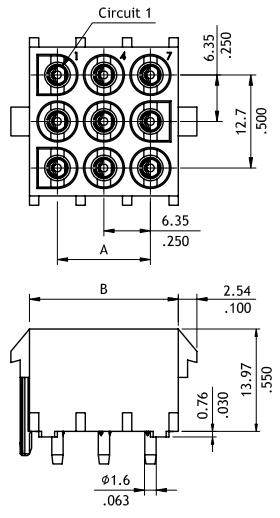
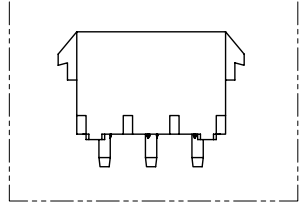
P/N CP08**P1VDP-N (without peg)



Circuits	Dimensions	
	A	B
06	6.35(.250)	13.97(.550)
09	12.70(.500)	20.32(.800)
12	19.05(.750)	26.67(1.050)
15	25.40(1.000)	33.02(1.300)

P/N CP08**P1VDS

P/N CP08**P1VDS-N (without peg)



Recommended P.C. Board layout

Ordering Code

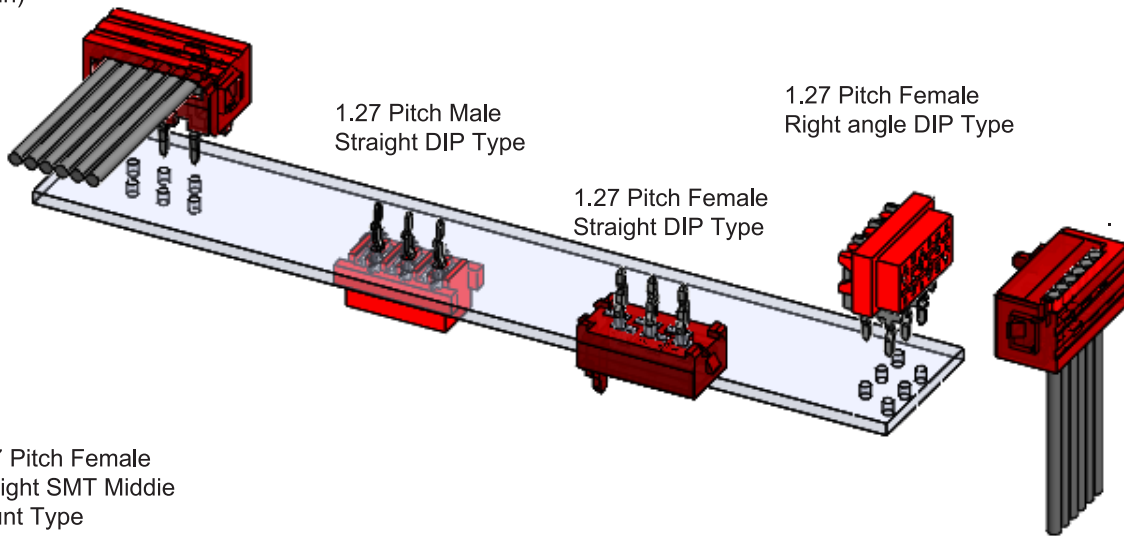
① ② ③ ④ ⑤ ⑥ ⑦ ⑧
CP08 06 P 1 V D P - N

- ① Series No.
- ② No. of Circuits: 06, 09, 12, 15
- ③ Contact Type : P = Plug
- ④ Plating Code : 1 = Tin over Nickel

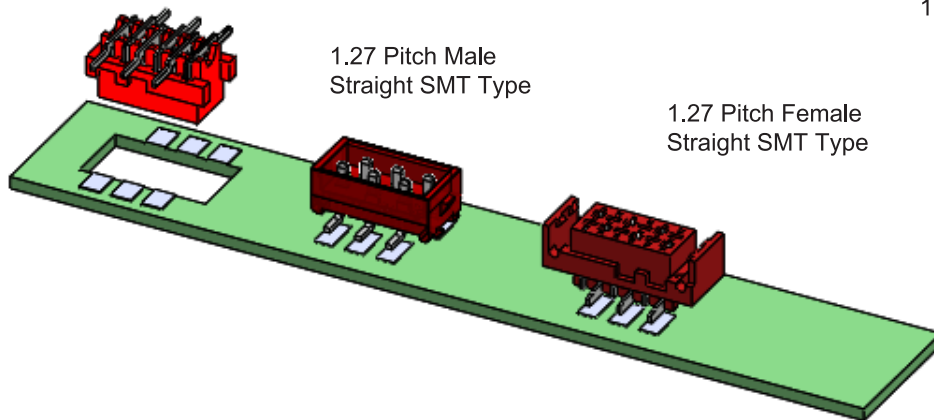
- ⑤ Type: V=Straight Type
- ⑥ Material: D = Nylon 66 , UL 94V-0 (Triple Row)
- ⑦ Other Options : P = Male conact
S = Female conact
- ⑧ N = Without Peg
*Code 8 for without peg type only

Connection Combination of IDC Connectors

1.27 Pitch Female IDC Cable
(Board in)

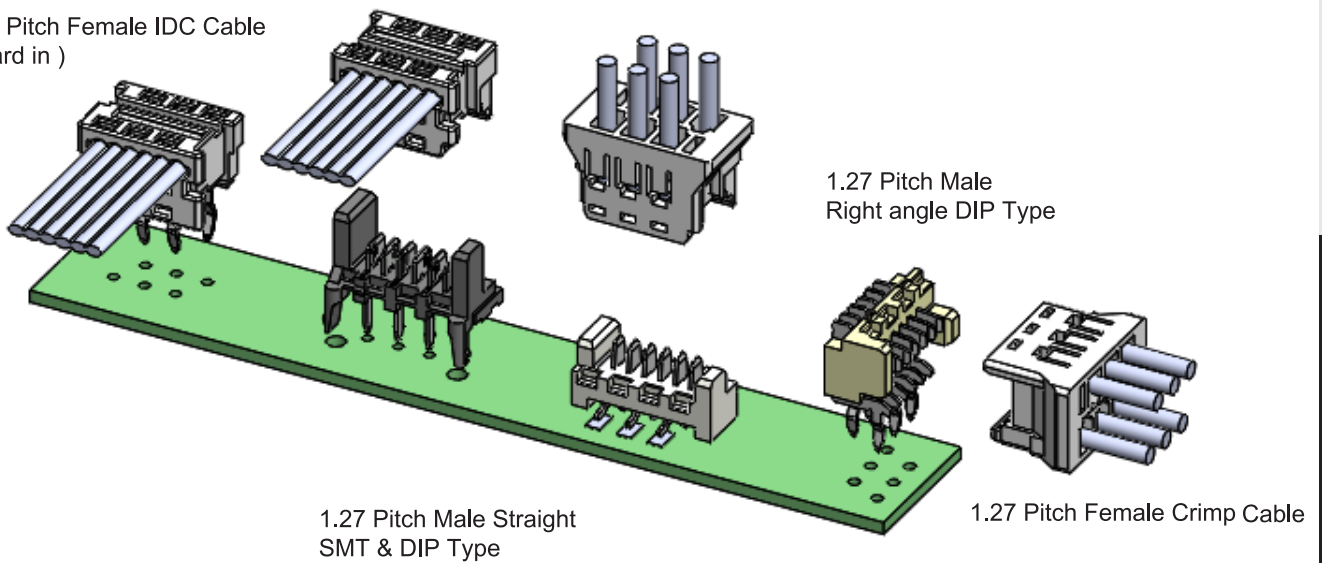


1.27 Pitch Female Straight SMT Middle mount Type



1.27 Pitch Female IDC Cable

1.27 Pitch Female IDC Cable
(Board in)



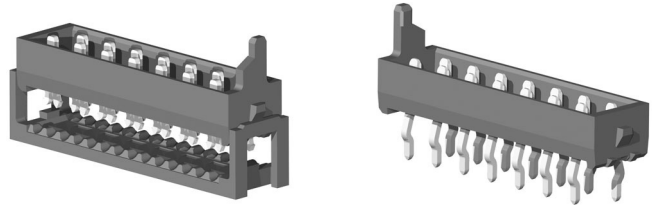
CA

IDC CONNECTORS

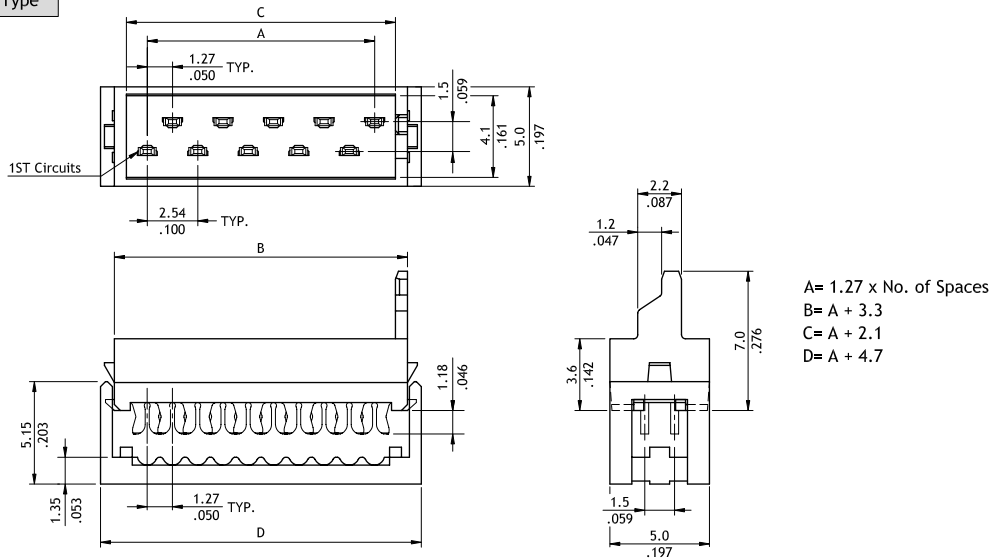
CA30 Series 1.27mm(.050") Male IDC & DIP Type Connectors

- Can be used with CW03 1.27mm(.050") center spacing flat ribbon cable.
- Mate with CA32 connector

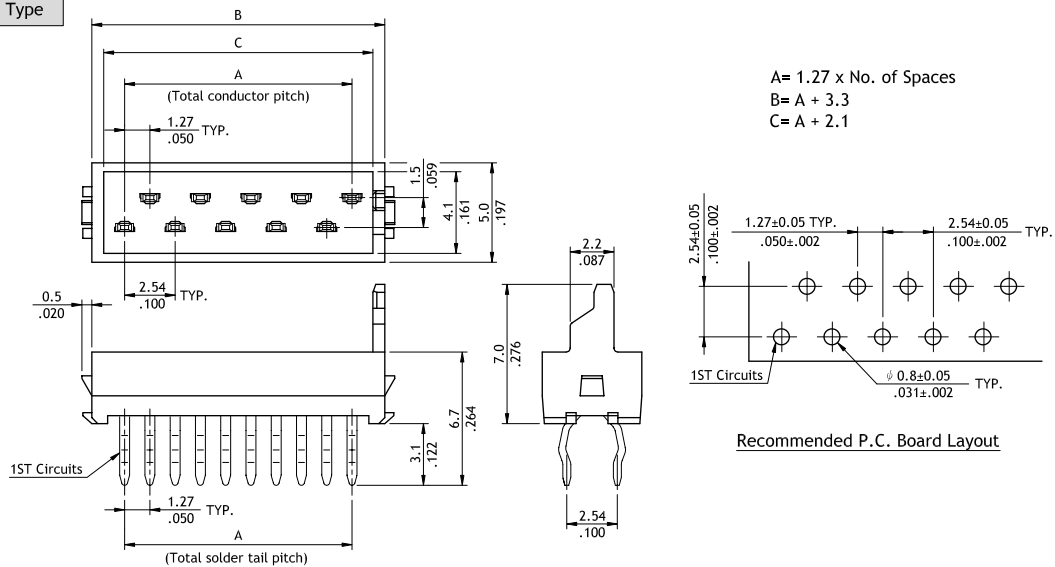
RoHS Compliant 



IDC Type



DIP Type



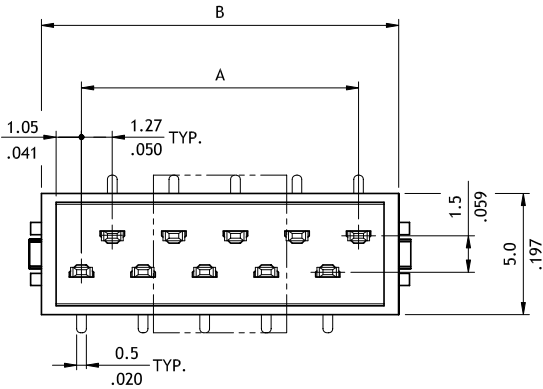
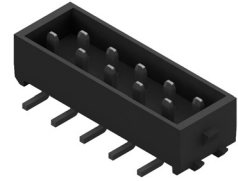
Ordering Code

① ② ③ ④ ⑤ ⑥ ⑦
CA30 26 P 1 3 0 0

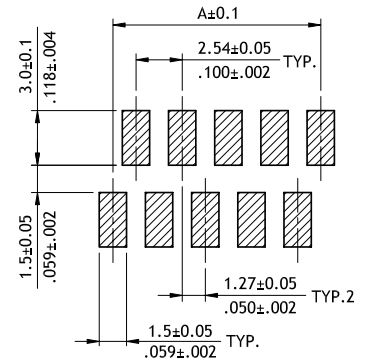
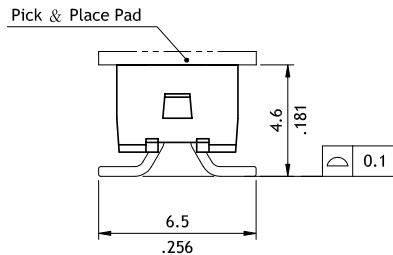
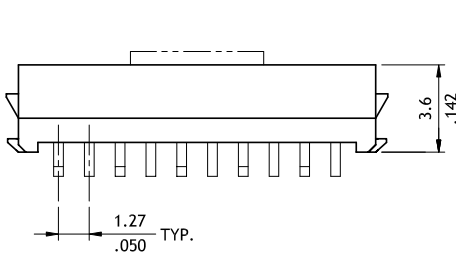
- ① Series No.
- ② No. of Circuits: 04 ~ 26
- ③ Contact Type: P = Plug
- ④ Plating Code:
 1 = Matte Tin over Nickel
 *Optional plating available but MOQ requested
- ⑤ Color : 3 = Red
- ⑥ Type : 0 = DIP Type
 I = IDC Type
- ⑦ Other Options:
 0 = Standard
 *Special options consult manufacturer

CA30 Series 1.27mm(.050") Male SMT Type Connectors

- ⊙ Mate with CA32 connector
- ⊙ High temperature plastic UL 94V-0, color red



A = 1.27 x No. of Spaces
B = A + 3.3



Solder Pad Pattern

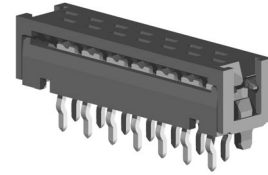
Ordering Code

①	②	③	④	⑤	⑥
CA30	26	M	1	3	R0

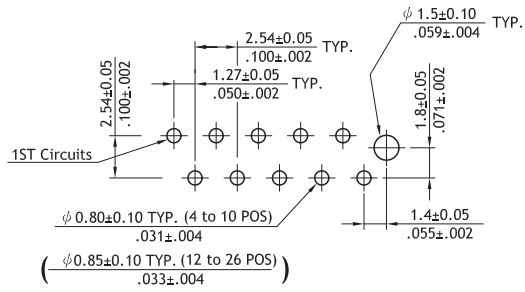
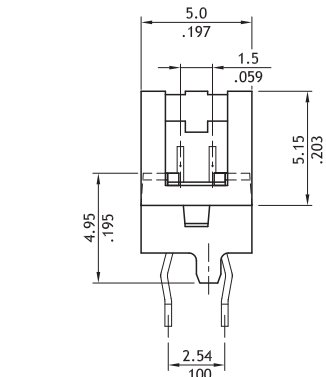
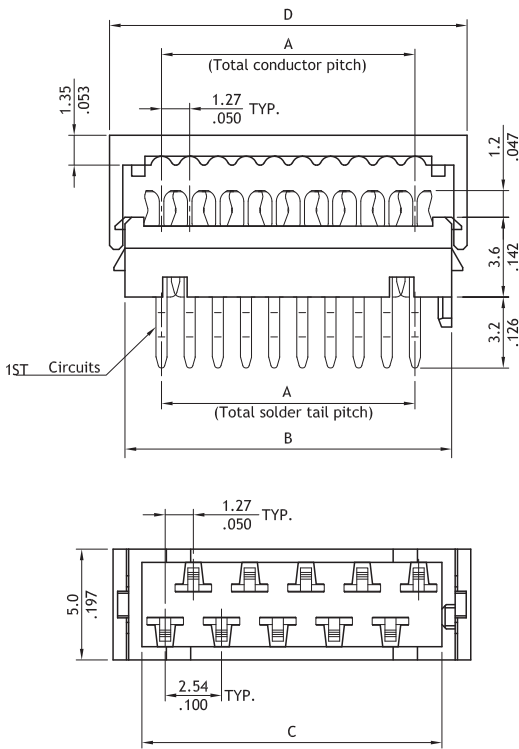
- ① Series No.
- ② No. of Circuits: 04 ~ 26
- ③ Contact Type: M = SMT
- ④ Plating Code:
1 = Matte Tin over Nickel
*Optional plating available but MOQ requested
- ⑤ Color: 3 = Red
- ⑥ Packing Options:
R0 = With PAD ;Tape & Reel Packing
RN = Without PAD ;Tape & Reel Packing
T0 = Without PAD ;Tube Packing
*Special options consult manufacturer

CA31 Series 1.27mm(.050") Flat Cable - IDC DIP Type Connectors

☉ Can be used with CW03 1.27mm(.050") center spacing flat ribbon cable.



CA



A = 1.27 x No. of Spaces
 B = A + 3.3
 C = A + 2.1
 D = A + 4.7

Recommended PCB Layout

Ordering Code	①	②	③	④	⑤	⑥
	CA31	26	P	1	3	00

① Series No.
 ② No. of Circuits: 04 ~ 26
 ③ Contact Type:P=Plug
 ④ Plating Code:
 1 = Matte Tin over Nickel
 *Optional plating available but MOQ requested

⑤ Color: 3 = Red
 ⑥ Other Options:
 00=Standard
 *Special options consult manufacturer

IDC CONNECTORS

CA30 & CA31 Series Flat Cable Assemblies

Compact and low profile IDC connector with 1.27mm pitch flat cable assembly combinations.
 With full range connectors produced in house, Cvilux is fully equipped to provide cost-effective and high quality flat cable assemblies.

Furthermore, integrated production and assembly process can save your time to market and increase more profit.

Please check below sketch for all kinds of options and advice more details (length, stripped, red line positions, polarizing direction....etc.) we will follow up your request accordingly.

Consult CviLux sales person if customized assembly required.

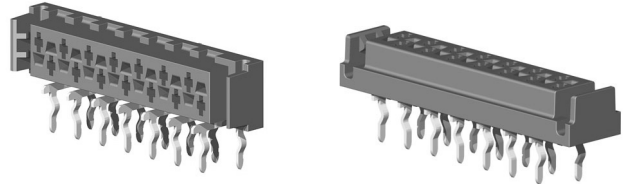
TYPE A	TYPE B	TYPE C	TYPE D
TYPE E	TYPE F	TYPE G	TYPE H
TYPE J	TYPE K	TYPE M	TYPE N
TYPE P	TYPE Q	TYPE R	TYPE S

CA

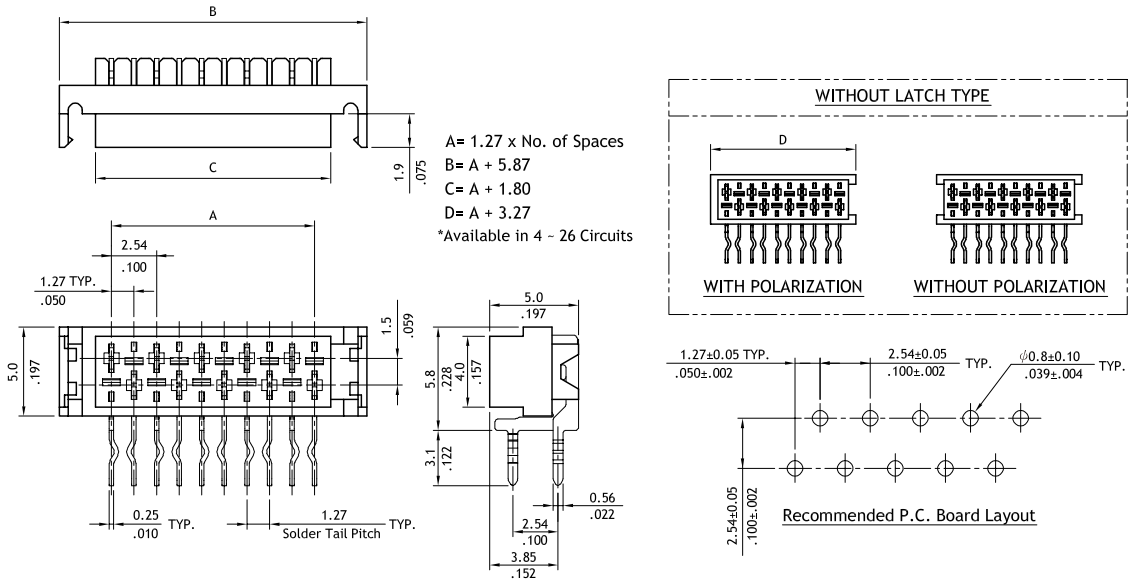
IDC CONNECTORS

CA32 Series 1.27mm(.050") Female DIP Type Connectors

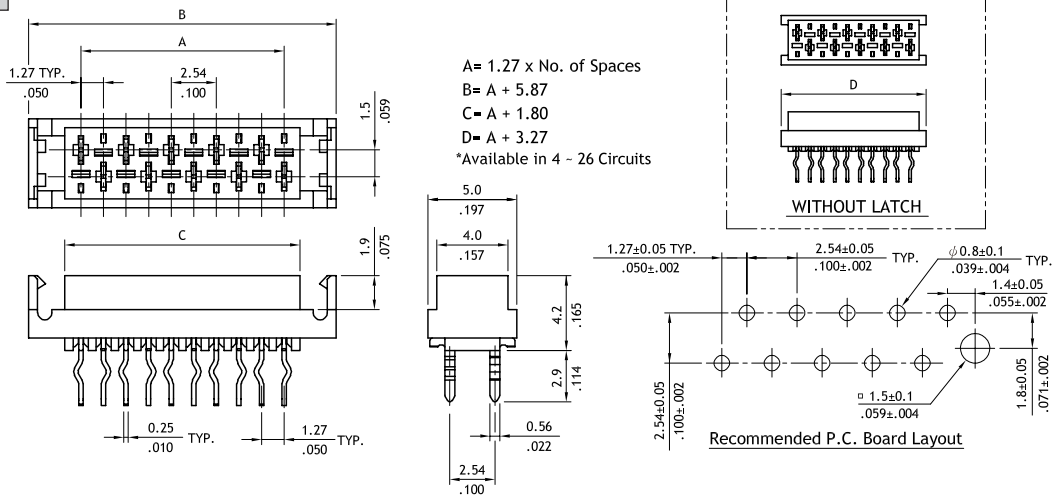
☉ Mate with CA30 connector



P/N CA32**H**00



P/N CA32**V**00



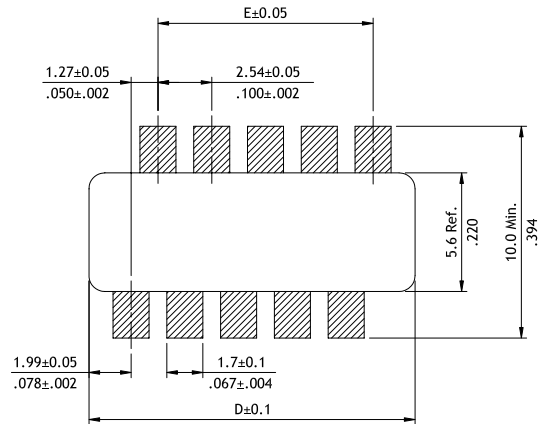
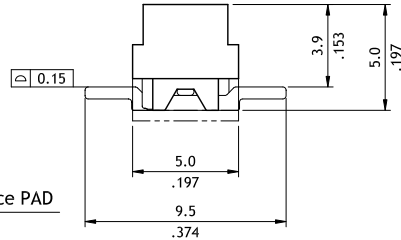
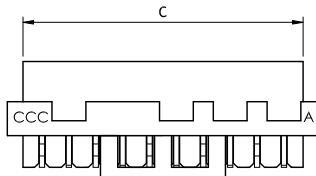
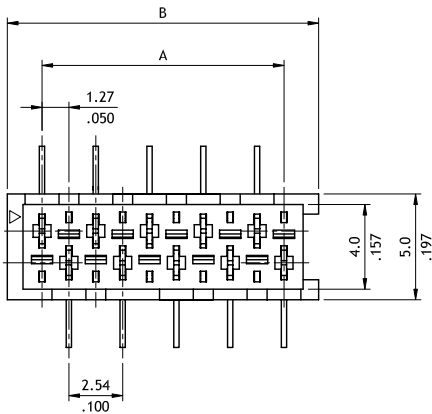
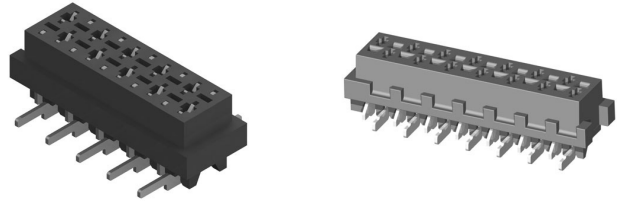
Ordering Code

① ② ③ ④ ⑤ ⑥
CA32 26 H 1 3 00

- ① Series No.
- ② No. of Circuits: 04 ~ 26
- ③ Contact Type: V = Straight
H = Right Angle
- ④ Plating Code:
1 = Matte Tin over Nickel
*Optional plating available but MOQ requested
- ⑤ Color: 3 = Red
- ⑥ Right Angle Type:
00 = Without Latch & With Polarization
S0 = Without Latch & Without Polarization
0L = With Latch
Straight Type:
00 = Without Latch
0L = With Latch
*Special options consult manufacturer

CA32 Series 1.27mm(.050") Female SMT Type Connectors

- ⊙ Mate with CA30 connector
- ⊙ High temperature plastic UL 94V-0, color red



Recommended P.C. Board Layout

- A= 1.27 x No. of Spaces
- B= A + 3.28
- C= A + 1.80
- D= A + 3.97
- E= A - 1.27
- *Available in 4 - 26 Circuits

Ordering Code	①	②	③	④	⑤	⑥	⑦
	CA	32	26	M	1	30	A

- ① Series No.
- ② No. of Circuits: 04 ~ 26
- ③ Contact Type: M = SMT Type
- ④ Plating Code:
1 = Matte Tin over Nickel
*Optional plating available but MOQ requested
- ⑤ Color: 3 = Red
- ⑥ Pad Options:
0 = With Pad (Reel Packing)
- ⑦ Other Options:
A = Middle mount type
0 = Top mount type (Without Latch)
L = Top mount type (With Latch)
*Special options consult manufacturer

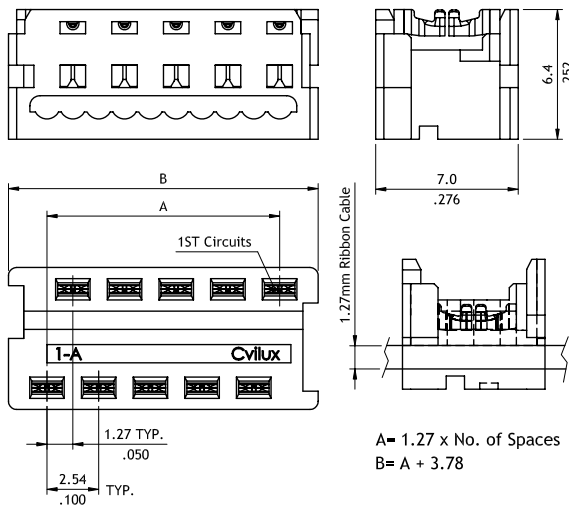
CA33 Series 1.27mm(.050") IDC & Crimping Type Connectors

- ⊙ Can be used CW03 1.27mm(.050") Center Spacing flat ribbon cable
- ⊙ Mate with CA35 Connectors
- ⊙ Can be used CA33 crimp clip terminal
- ⊙ Insulator: Glass Filled Polyester UL 94V-0, Color Nature

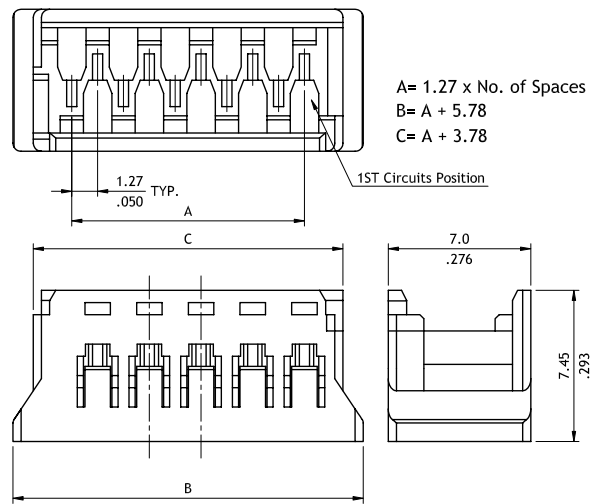


RoHS Compliant

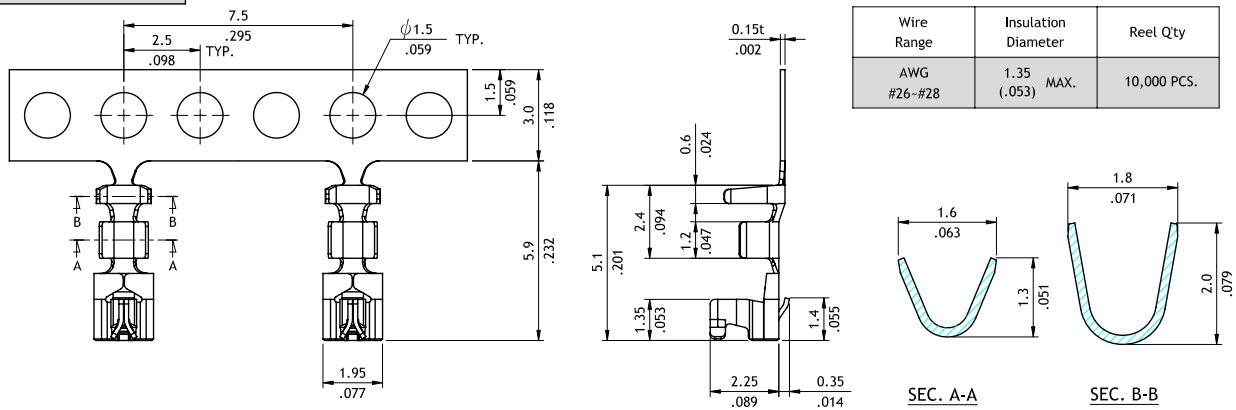
IDC Type



Crimp Type Housing



Crimp Type Terminal



Ordering Code

① ② ③ ④ ⑤ ⑥ ⑦ ⑧ ① ② ③ ④ ⑤ ⑥
CA33 26 P 1 0 I 0 - NH CA33 26 S00 0 0 - NH

- ① Series No.
- ② No. of Circuits: 04 ~ 26
- ③ Contact Type: P = Pin Header
- ④ Plating Code: 1 = Tin over Nickel
- ⑤ Color: 0 = Nature
- ⑥ Type: I = IDC Type
- ⑦ Other Options: 0 = Standard (Tube Packing)
- ⑧ NH = Halogen-Free

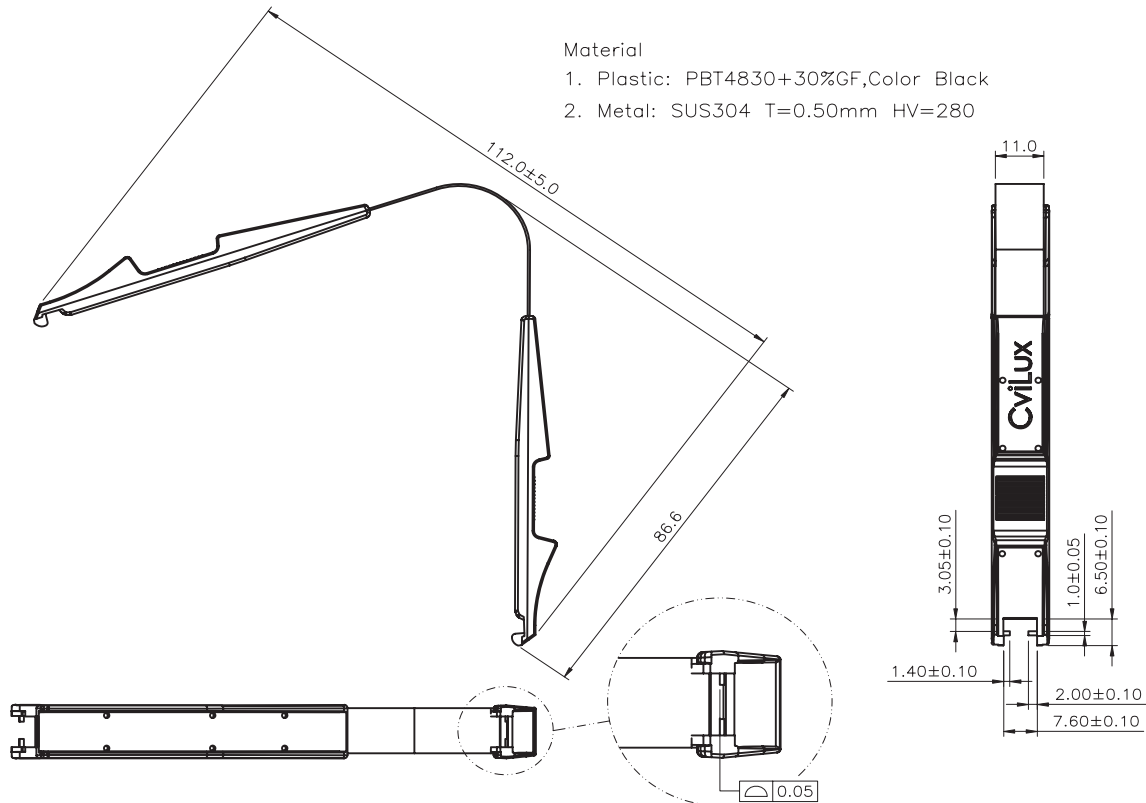
- ① Series No.
- ② No. of Circuits: 04 ~ 26
- ③ Type: S00 = Housing
- ④ Color: 0 = Nature
- ⑤ Other Options: 0 = Standard
- ⑥ NH = Halogen-Free

CA

IDC CONNECTORS

CM19A330000 Pull-off tongs for CA33

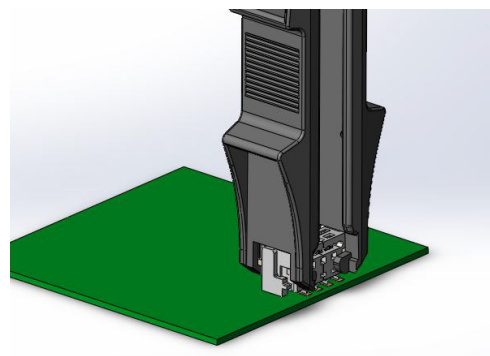
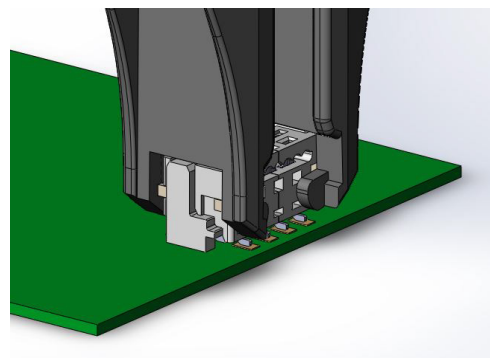
- ⊙ Steel and plastic construction with molded prongs
- ⊙ Long life spring steel handles
- ⊙ Designed for field use
- ⊙ This Extractor Tool is for the removal of CA33 series



To remove a connector from the assembly

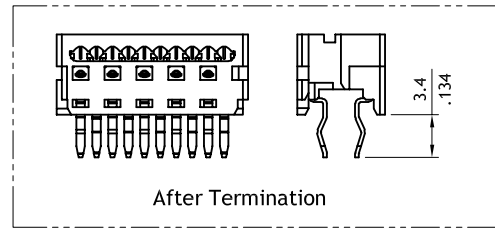
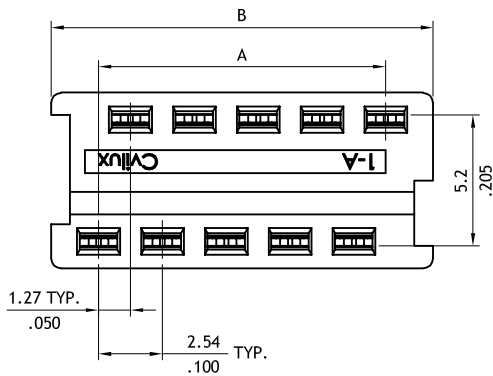
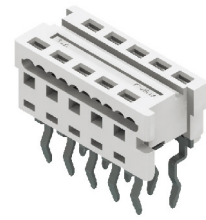
Please follow the steps below:

- ⊙ Hold the tool between the thumb and forefinger.
- ⊙ Push the tool together, the prongs are far enough apart to fit over the connector that is being extracted.
- ⊙ Squeeze the prongs together until the locator fingers are in the slots on the end wall of the connector.
- ⊙ While keeping the extractor tool engaged with the connector, pull the connector upright from the header softly.

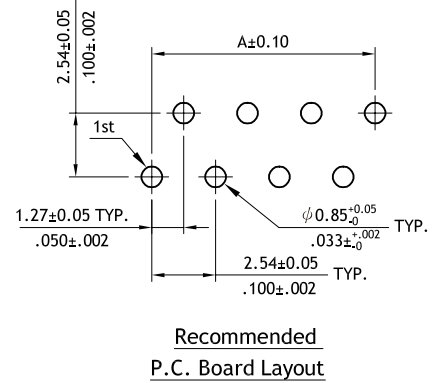
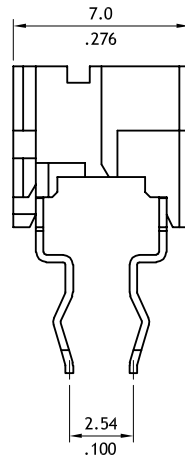
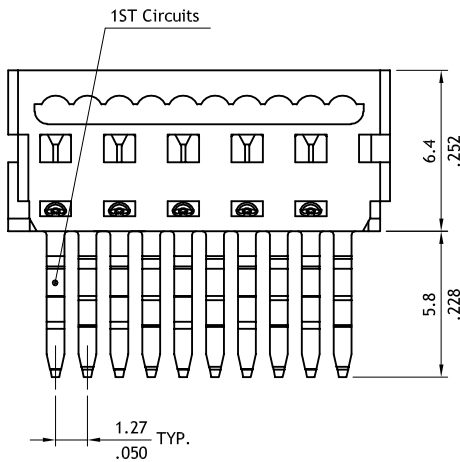


CA34 Series 1.27mm(.050") Flat Cable - IDC DIP Plugs

- ⊙ Can be used CW03 1.27mm(.050") Ccenter Spacing flat ribbon cable
- ⊙ Insulator:Glass Filled Polyester UL 94V-0, Color Nature



A = 1.27 x No. of Spaces
B = A + 3.78



Ordering Code

① ② ③ ④ ⑤ ⑥ ⑦
CA34 26 P 1 0 00 - NH

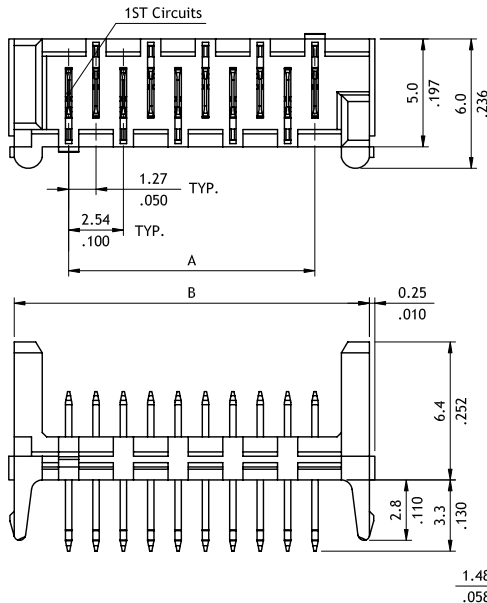
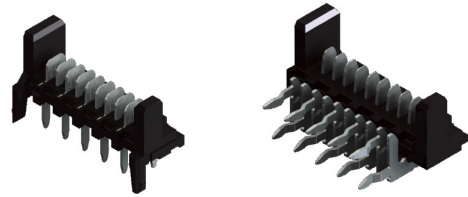
- ① Series No.
- ② No. of Circuits: 04 ~ 26
- ③ Contact Type:
P = Pin Header

- ④ Plating Code:
1 = Matte Tin over Nickel
- ⑤ Color: 0 = Nature
- ⑥ Other Options: 00 = Standard (Tube Packing)
- ⑦ NH = For Lead Free Process and Halogen-Free

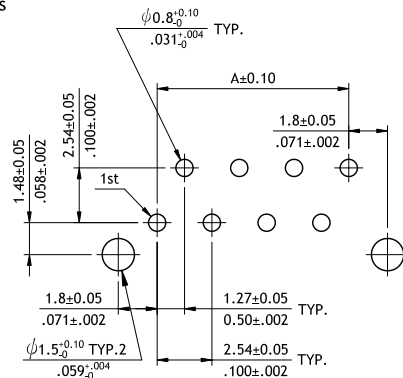
CA35 Series 1.27mm(.050") Male DIP Type Connectors

- ⊙ Mate with CA33 connectors
- ⊙ Insulator: High temperature plastic UL 94V-0, Color Black

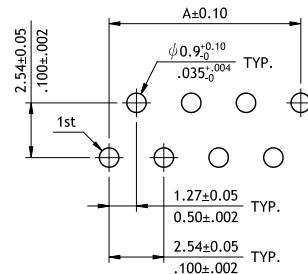
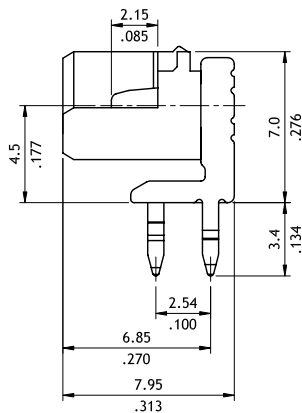
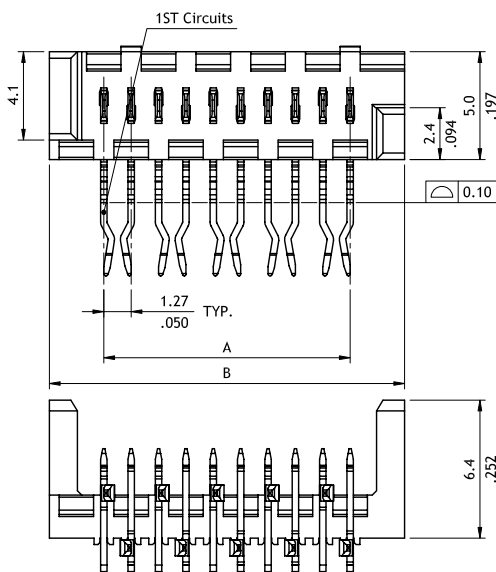
RoHS Compliant



A = 1.27 x No. of Spaces
B = A + 5.05



Recommended P.C. Board Layout



Recommended P.C. Board Layout

A = 1.27 x No. of Spaces
B = A + 5.05

Ordering Code

① CA ② 35 ③ 26 ④ V ⑤ 1 ⑥ 1 ⑦ 00 - NH

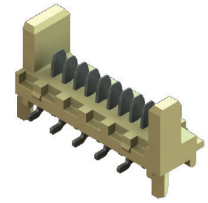
- ① Series No.
- ② No. of Circuits: 04 ~ 26
- ③ Contact Type:
V = Straight
H = Right Angle

- ④ Plating Code:
1 = Matte Tin over Nickel
- ⑤ Color: 1 = Black
- ⑥ Other Options: 00 = Standard
- ⑦ NH = For Lead Free Process and Halogen-Free

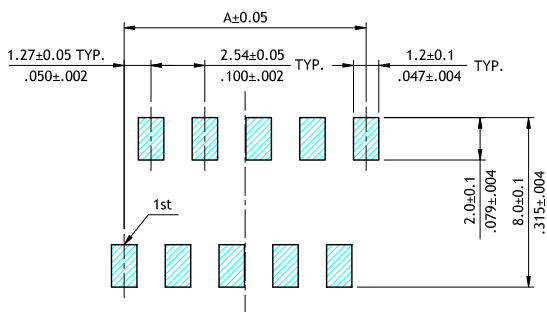
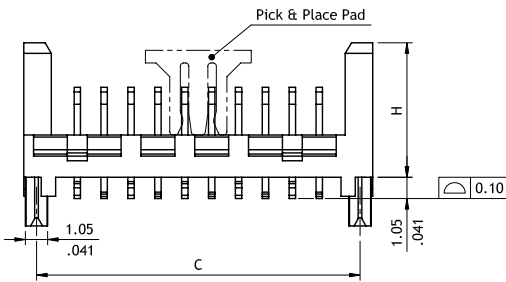
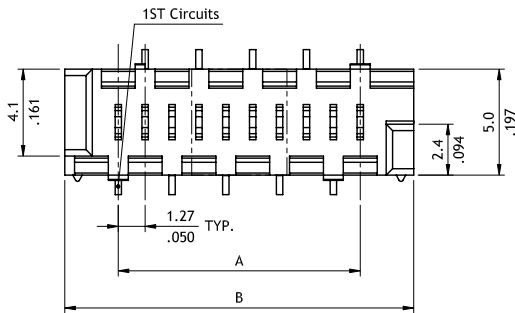
CA35 Series 1.27mm(.050") Male SMT Type Connectors

- ⊙ Mate with CA33 connectors
- ⊙ Insulator: High temperature plastic UL 94V-0, Nature

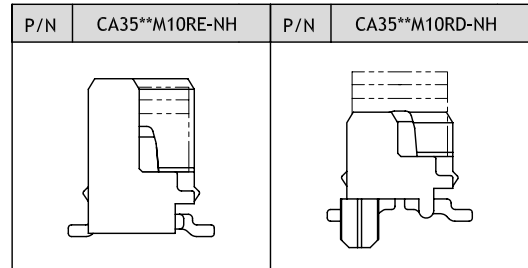
RoHS Compliant



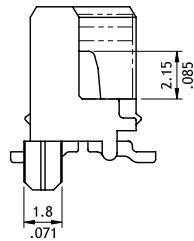
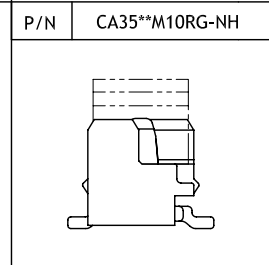
P/N	CA35**M10RP-NH
-----	----------------



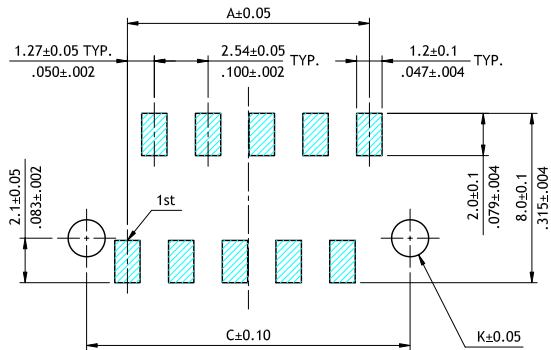
P.C.B Layout Headers Without Plastic Pegs



A = 1.27 x No. of Spaces
 B = A + 5.05
 C = A + 3.85



Transition Fit With P.C.B Pegs	K = 1.75
Clearance Fit With P.C.B Pegs	K = 2.0



P.C.B Layout Headers With Plastic Pegs

Ordering Code

① CA ② 35 ③ 26 ④ M ⑤ 1 ⑥ 0 ⑦ R ⑧ P - NH

- ① Series No.
- ② No. of Circuits: 04 ~ 26
- ③ Contact Type:
M = SMT Type
- ④ Plating Code:
1 = Matte Tin over Nickel

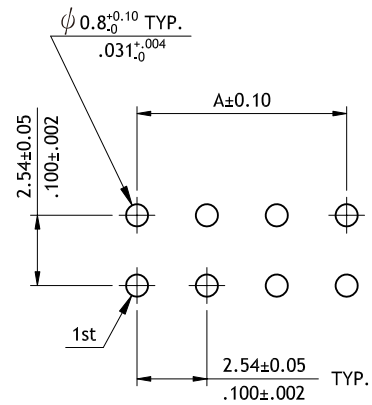
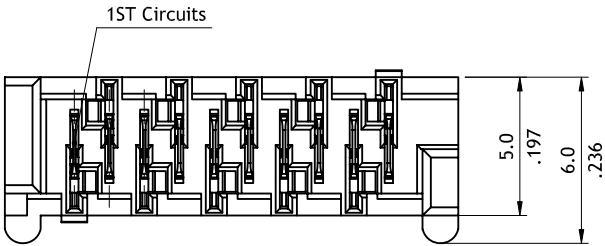
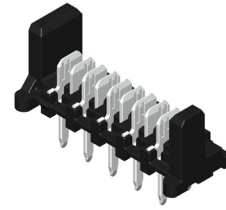
- ⑤ Color: 0 = Nature
- ⑥ Packing Options:
R = Tape & Reel (With pick & place pad)
T = Tube
0 = Bags

- ⑦ Other Options:
G = Without positioning pegs, H = 4.10mm
D = With positioning pegs, H = 4.10mm
E = Without positioning pegs, H = 6.40mm
P = With positioning pegs, H = 6.40mm
- ⑧ NH = For Lead Free IR Process and Halogen-Free

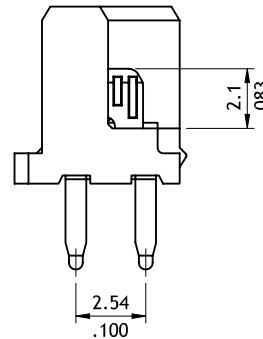
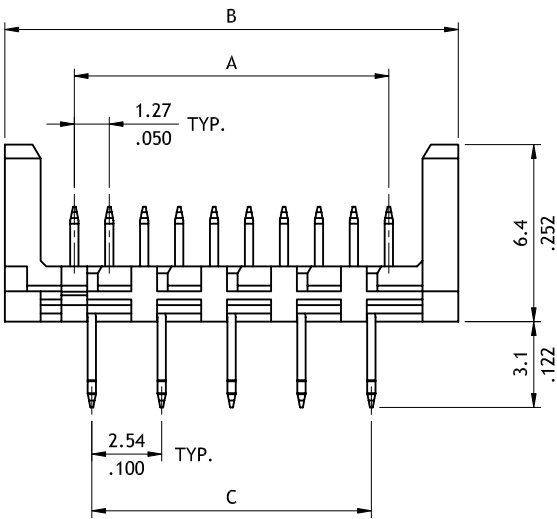
CA35 Series 1.27mm(.050") Female DIP Type Connectors

- ⊙ Mate with CA33 connectors
- ⊙ Insulator: High temperature plastic UL 94V-0, Nature

RoHS Compliant



Recommended P.C. Board Layout



A = 1.27 x No. of Spaces
 B = A + 5.05
 C = 2.54 x No. of Spaces

Ordering Code

① CA ② 3 ③ 5 ④ 2 ⑤ 6 ⑥ V ⑦ 1 ⑧ 1 ⑨ 0 ⑩ B - ⑪ NH

- ① Series No.
- ② No. of Circuits: 04 ~ 26
- ③ Contact Type: V = Straight Type
- ④ Plating Code: 1 = Matte Tin over Nickel
- ⑤ Color: 1 = Black
- ⑥ Options: 0B = Type B
- ⑦ NH = For Lead Free Process and Halogen-Free

CW03 Series 1.27mm(.050") Flat Ribbon Cable

UL GRADE:

UL STYLE: 2651
 Rate temperature: 105 degree celsius
 Rate voltage: 300V
 Flame Test: VW -1

CONDUCTOR:Standard

AWG size: 28 AWG
 Number of strands in each conductor: 7/0.127mm

INSULATION:

Material of insulation: PVC, Color Gray

PHYSICAL PROPERTIES:

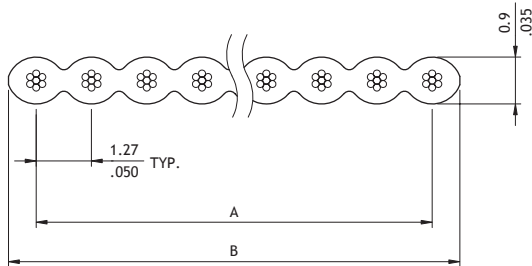
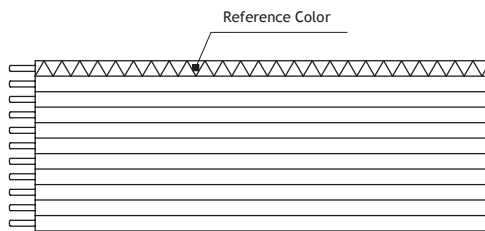
after 7 days air oven at 136 degree celsius
 Average tensile strength: 1500 lbs/inch
 Percent of original: 70% at least
 Average elongation: 200%
 Percent of original: 65% at least

ELECTRICAL CHARACTERISTICS:

Spark test: 2500V
 Dielectric strength test: Min. 2KV in 1 minute
 Conductor resistance: Max. 237 ohm/km
 Insulation resistance: Min. 1G ohm/m
 Capacity: 45 PF/m
 Inductance: 1.45 uH/m
 Impedance: 100 ohm
 Propagation Delay Time: 4.2 ns/m



P/N : CW03**D900A

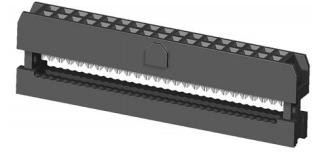


Circuits	Dimension	
	A	B
8	8.89(.350)	10.16(.400)
9	10.16(.400)	11.43(.450)
10	11.43(.450)	12.70(.500)
12	13.97(.550)	15.24(.600)
14	16.51(.650)	17.78(.700)
15	17.78(.700)	19.05(.750)
16	19.05(.750)	20.32(.800)
17	20.32(.800)	21.59(.085)
18	21.59(.085)	22.86(.900)
20	24.13(.950)	25.40(1.000)
24	29.21(1.150)	30.48(1.200)
25	30.48(1.200)	31.75(1.250)
26	31.75(1.250)	33.02(1.300)
28	34.29(1.350)	35.56(1.400)
30	36.83(1.450)	38.10(1.500)
32	39.37(1.550)	40.64(1.600)
34	41.91(1.650)	43.18(1.700)
36	44.45(1.750)	45.72(1.800)
38	46.99(1.850)	48.26(1.900)
40	49.53(1.950)	50.80(2.000)
50	62.23(2.540)	63.50(2.500)
60	74.93(2.950)	76.20(3.000)
64	80.01(3.150)	81.28(3.200)

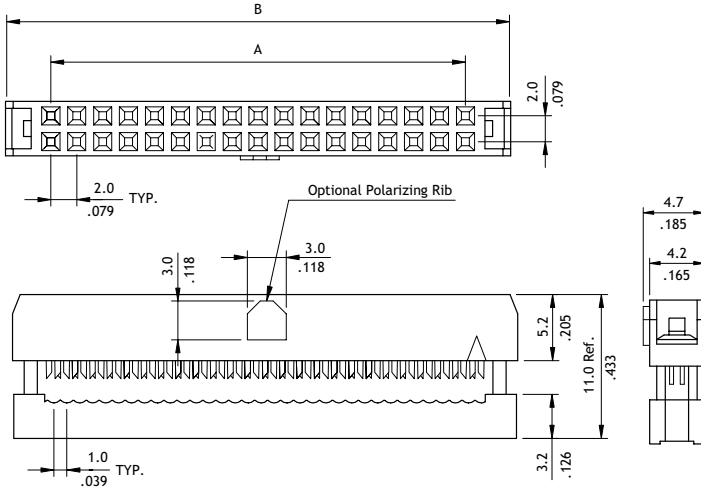
CA11 Series 2.00mm(.079") Center Spacing Flat Cable - IDC Sockets

- ⊙ Mate with CH71, CH75 and CH74 headers
- ⊙ Can be used with CW02 1.00mm(.039") Center Spacing flat ribbon cable

RoHS Compliant

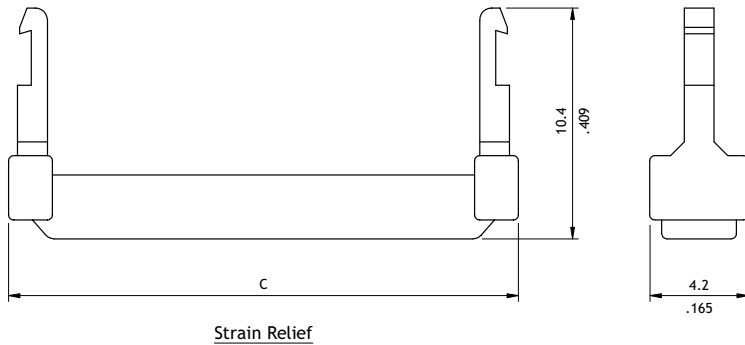


P/N CA11**SA1*0



Circuits	Dimension		
	A	B	C
6	4.0(.157)	11.2(.441)	11.2(.441)
8	6.0(.236)	13.2(.520)	13.2(.520)
10	8.0(.315)	15.2(.598)	15.2(.598)
12	10.0(.394)	17.2(.677)	17.2(.677)
14	12.0(.472)	19.2(.756)	19.2(.756)
16	14.0(.551)	21.2(.835)	21.2(.835)
20	18.0(.709)	25.2(.992)	25.2(.992)
22	20.0(.787)	27.2(1.071)	27.2(1.071)
24	22.0(.866)	29.2(1.150)	29.2(1.150)
26	24.0(.945)	31.2(1.228)	31.2(1.228)
30	28.0(1.102)	35.2(1.386)	35.2(1.386)
32	30.0(1.181)	37.2(1.465)	37.2(1.465)
34	32.0(1.260)	39.2(1.543)	39.2(1.543)
36	34.0(1.339)	41.2(1.622)	41.2(1.622)
40	38.0(1.496)	45.2(1.780)	45.2(1.780)
44	42.0(1.654)	49.2(1.937)	49.2(1.937)
50	48.0(1.890)	55.2(2.173)	55.2(2.173)
60	58.0(2.283)	65.2(2.567)	65.2(2.567)
64	62.0(2.441)	69.2(2.724)	69.2(2.724)

P/N CA11**SR100



Strain Relief

Ordering Code

① CA 1 ② 6 4 ③ S ④ A ⑤ 1 ⑥ 0 0

- ① Series No.
- ② No. of Circuits: See above table
- ③ Contact Type: S = Socket
- ④ Plating Code : A = Selective Gold flash over Nickel
*Optional plating available but MOQ requested
- ⑤ Color: 1 = Black
- ⑥ Other Options : 00 = With polarizing rib (Standard)
A0 = Without polarizing rib
- *Special options consult manufacturer

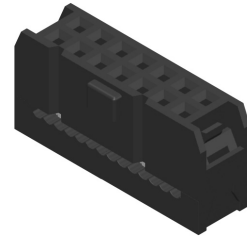
① CA 1 ② 6 4 ③ SR ④ 1 0 0

- ① Series No.
- ② Contacts: See above table
- ③ SR = Strain-Relief
- ④ Color: 100 = Black

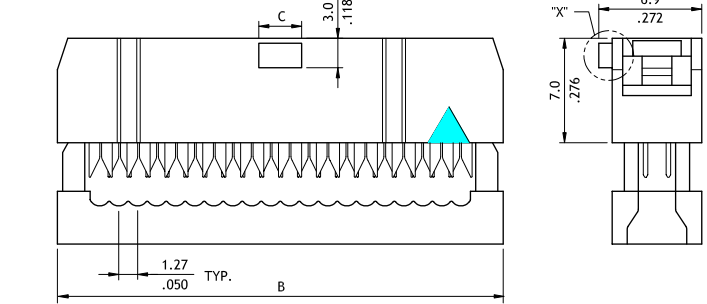
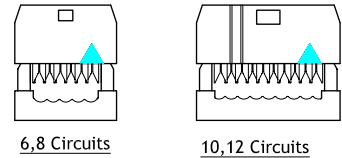
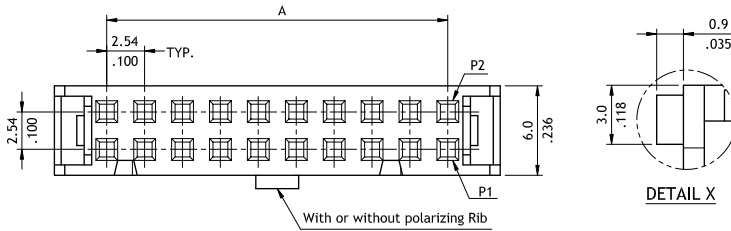
CA21 Series 2.54mm(.100") Center Spacing Flat Cable - IDC Sockets

- ⊙ Mate with CH81, CH84, CH87 and CH88 Headers
- ⊙ Can be used with CW03 1.27mm(.050") Center Spacing flat ribbon cable

RoHS Compliant 

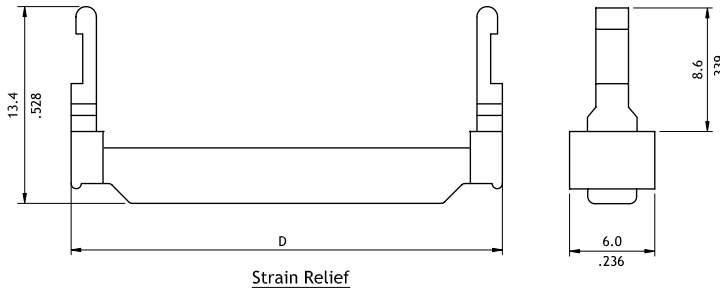


P/N CA21**SA1*0



Circuits	Dimension			
	A	B	C	D
6	5.08(.200)	12.30(.484)	1.80(.071)	12.30(.484)
8	7.62(.300)	14.84(.584)	1.80(.071)	14.84(.584)
10	10.16(.400)	17.38(.684)	3.80(.150)	17.38(.684)
12	12.70(.500)	19.92(.784)	3.80(.150)	19.92(.784)
14	15.24(.600)	22.46(.884)	3.80(.150)	22.46(.884)
16	17.78(.700)	25.00(.984)	3.80(.150)	25.00(.984)
20	22.86(.900)	30.08(1.184)	3.80(.150)	30.08(1.184)
24	27.94(1.100)	35.16(1.384)	3.80(.150)	35.16(1.384)
26	30.48(1.200)	37.70(1.484)	3.80(.150)	37.70(1.484)
30	35.56(1.400)	42.78(1.684)	3.80(.150)	42.78(1.684)
34	40.64(1.600)	47.86(1.884)	3.80(.150)	47.86(1.884)
36	43.18(1.700)	50.40(1.984)	3.80(.150)	50.40(1.984)
40	48.26(1.900)	55.48(2.184)	3.80(.150)	55.48(2.184)
44	53.34(2.100)	60.56(2.384)	3.80(.150)	60.56(2.384)
50	60.96(2.400)	68.18(2.684)	3.80(.150)	68.18(2.684)

P/N CA21**SR100



Ordering Code

① ② ③ ④ ⑤ ⑥
CA 2 1 5 0 S A 1 0 0

- ① Series No.
- ② No. of Circuits: See above table
- ③ Contact Type: S = Socket
- ④ Plating Code : A = Selective Gold flash over Nickel
 *Optional plating available but MOQ requested
- ⑤ Color: 1 = Black
- ⑥ Other Options: 00 = With polarizing rib(Standard)
 A0 = Without polarizing rib
 *Special options consult manufacturer

① ② ③ ④
CA 2 1 5 0 SR 1 0 0

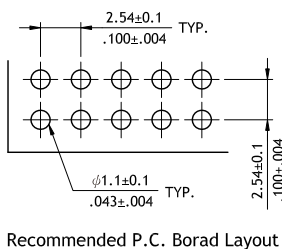
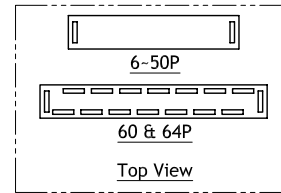
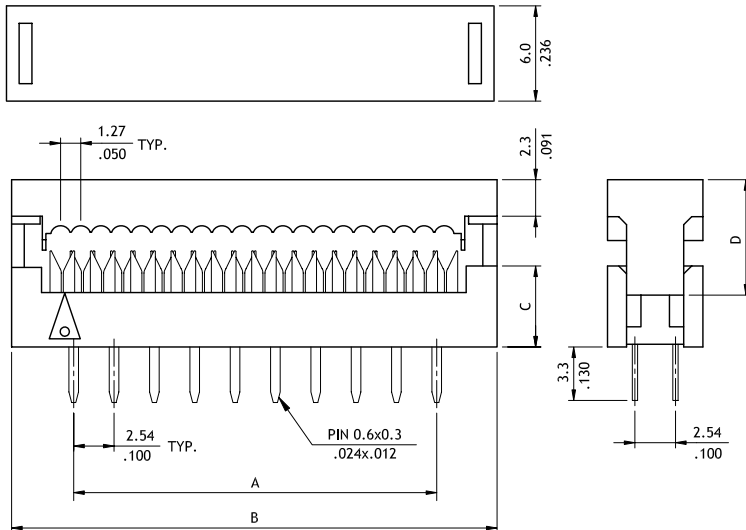
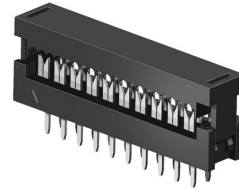
- ① Series No.
- ② Contacts: See above table
- ③ SR = Strain-Relief
- ④ Color: 100 = Black

CA

IDC CONNECTORS

CA23 Series 2.54mm(.100") Center Spacing Flat Cable - IDC DIP Plugs

Ⓢ Can be used with CW03 1.27mm(.050) Center Spacing flat ribbon cable



Recommended P.C. Board Layout

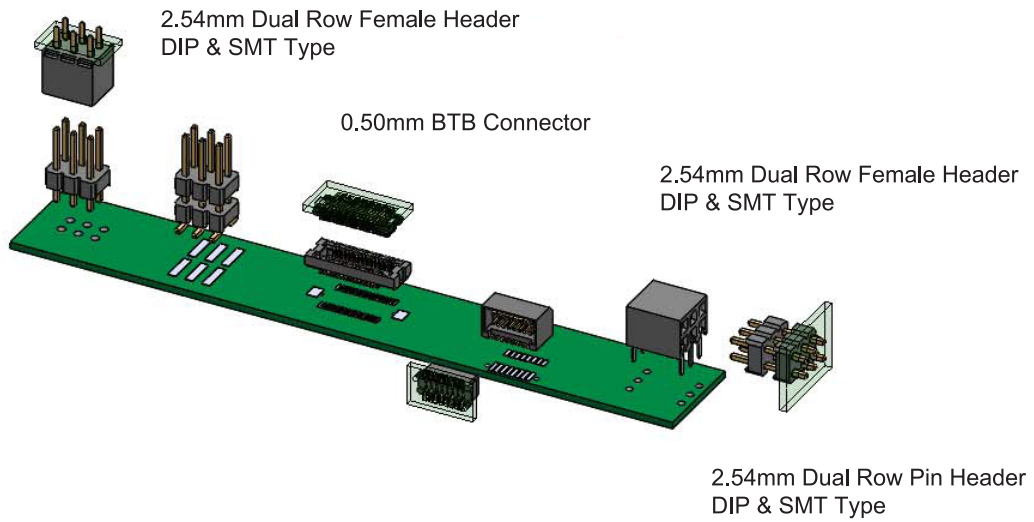
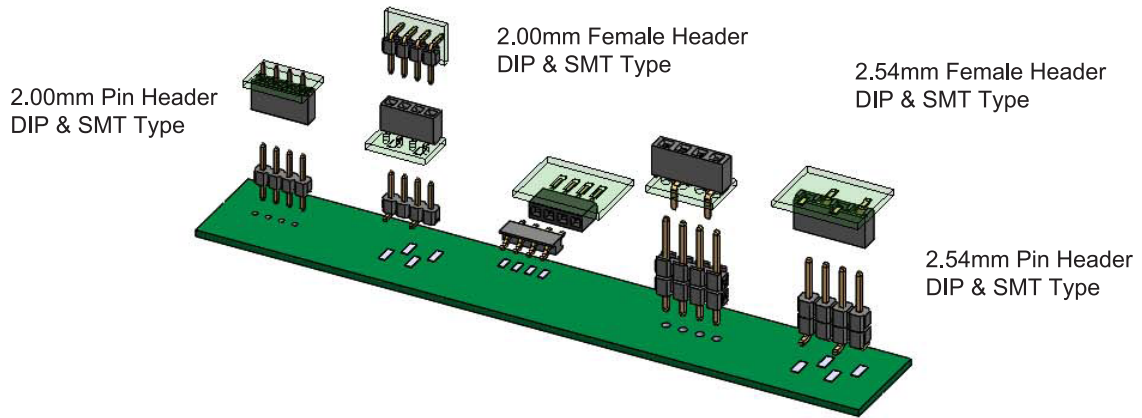
Circuits	Dimension			
	A	B	C	D
6	5.08(.200)	12.98(.511)	5.00(.197)	7.23(.284)
8	7.62(.300)	15.52(.611)	5.00(.197)	7.23(.284)
10	10.16(.400)	18.06(.711)	5.00(.197)	7.23(.284)
12	12.70(.500)	20.60(.811)	5.00(.197)	7.23(.284)
14	15.24(.600)	23.14(.911)	5.00(.197)	7.23(.284)
16	17.78(.700)	25.68(1.011)	5.00(.197)	7.23(.284)
18	20.32(.800)	28.22(1.111)	5.00(.197)	7.23(.284)
20	22.86(.900)	30.76(1.211)	5.00(.197)	7.23(.284)
24	27.94(1.100)	35.84(1.411)	5.00(.197)	7.23(.284)
26	30.48(1.200)	38.38(1.511)	5.00(.197)	7.23(.284)
28	33.02(1.300)	40.92(1.611)	5.00(.197)	7.23(.284)
30	35.56(1.400)	43.46(1.711)	5.00(.197)	7.23(.284)
34	40.64(1.600)	48.54(1.911)	5.00(.197)	7.23(.284)
40	48.26(1.900)	56.16(2.211)	5.00(.197)	7.23(.284)
50	60.96(2.400)	68.86(2.711)	5.00(.197)	7.23(.284)
60	73.66(2.900)	81.65(3.215)	4.00(.157)	6.23(.245)
64	78.74(3.100)	86.73(3.415)	4.00(.157)	6.23(.245)

Ordering Code	①	②	③	④	⑤	⑥
	CA	23	64	P	A	1 00

① Series No.
 ② No. of Circuits: See above table
 ③ Contact Type=P= Plug
 ④ Plating Code:
 A=Selective Gold flash over Nickel
 *Optional plating available but MOQ requested

⑤ Color:1 = Black
 ⑥ Other Options:
 00 = Standard
 *Special options consult manufacturer

Connection Combination of Board to Board Connectors

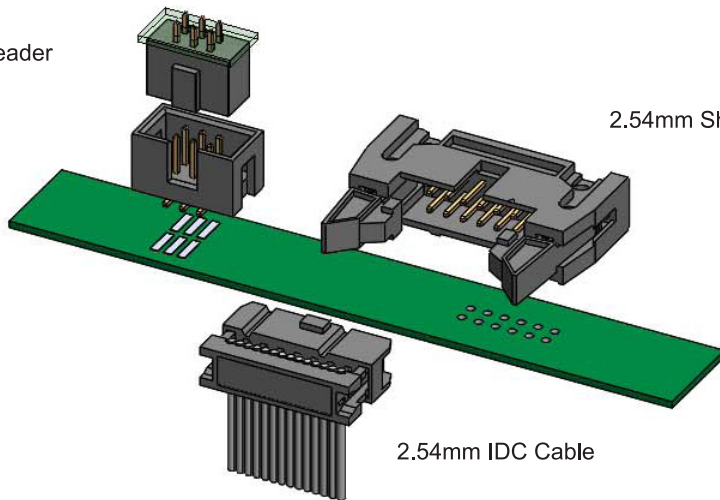


2.54mm Dual Row Pin Header
DIP & SMT Type

2.00mm Female Header
DIP & SMT Type

2.54mm Shrouded Header With Latches

2.00mm BOX Header



CB

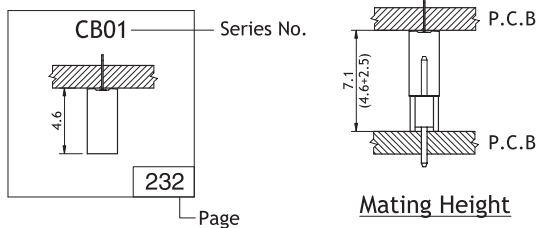
BOARD TO BOARD CONNECTORS

System CB Board To Board Connectors Selection Index

⊙ Mating height of pitch 0.5mm and 0.8mm connectors shown as below table;

⊙ Mating height of pitch 1.27mm connectors or above, please refer to below table and add the height of male and female insulator body.

⊙ Example (For Pitch 1.27mm or above)



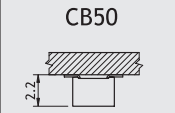
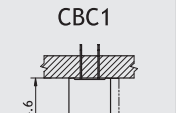
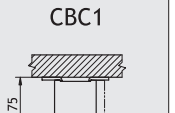
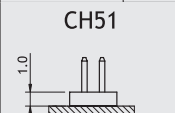
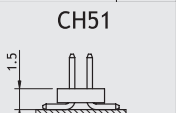
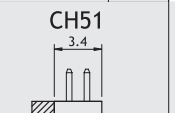
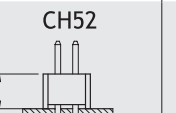
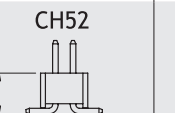
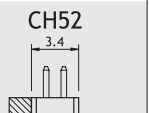
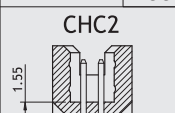
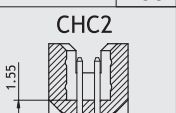
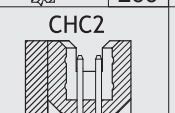
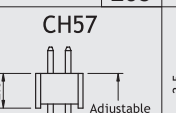
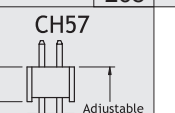
⊙ Configuration

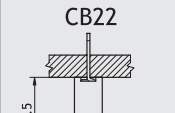
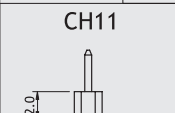
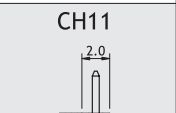
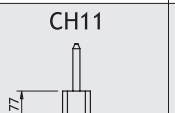
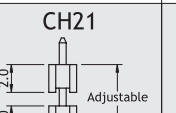
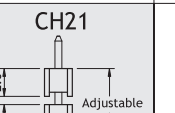
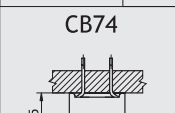
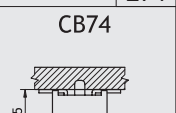
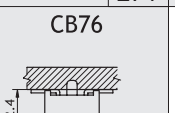
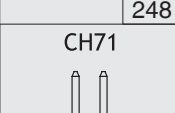
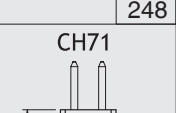
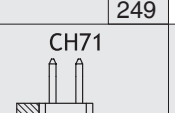
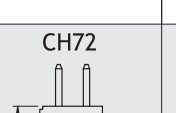
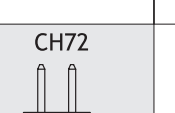
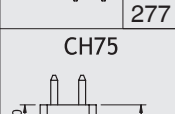
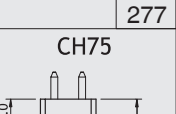
0.50mm Center spacing						
Dual Rows Board to Board	CBRC 235	CBRC 235				
	CBRB 233	CBRB 233	CBRB 233	CBRB 233	CBRB 233	CBRB 233
	CBRD 239	CBRD 239	CBRD 239	CBRE 237	CBRE 237	

0.80mm Center spacing	1.0mm Center spacing					
Dual Rows Board to Board	CBC3 & CHC3 241&260		Single Row Female Header	CB03 242	CH16 261	CH07 261

1.27mm Center spacing						
Single Row Female Header	CB01 243	CB01 243				
Single Row Header	CH01 262	CH01 262	CH02 263	CH02 263	CH03 264	CH03 264

System CB Board To Board Connectors Selection Index

1.27mm Center spacing						
Dual Rows Female Header	 CB50 244	 CBC1 245	 CBC1 245			
Dual Rows Header	 CH51 266	 CH51 266	 CH51 266	 CH52 268	 CH52 268	 CH52 268
	 CHC2 271	 CHC2 271	 CHC2 271	 CH57 270	 CH57 270	

2.0mm Center spacing						
Single Row Female Header	 CB22 247					
Single Row Header	 CH11 274	 CH11 274	 CH11 274	 CH21 276	 CH21 276	
Dual Rows Female Header	 CB74 248	 CB74 248	 CB76 249			
Dual Rows Header	 CH71 277	 CH71 277	 CH71 277	 CH72 279	 CH72 279	
	 CH75 281	 CH75 281				

CB

BOARD TO BOARD CONNECTORS

System CB Board To Board Connectors Selection Index

2.54mm Center spacing					
Single Row Female Header	<p>CB33 5.0 250</p>	<p>CB37 6.8 250</p>	<p>CB39 8.6 251</p>	<p>CB39 2.5 251</p>	
Single Row Header	<p>CH31 2.54 283</p>	<p>CH31 2.54 283</p>	<p>CH31 3.81 283</p>	<p>CH34 2.54 Adjustable 2.54 282</p>	<p>CH34 2.54 Adjustable 3.81 282</p>
Dual Rows Female Header	<p>CB83 5.0 253</p>	<p>CB85 5.5 253</p>	<p>CB96 11.05 Adjustable 254</p>	<p>CB91 8.6 255</p>	<p>CB91 5.0 255</p>
	<p>CB94 7.1 256</p>	<p>CB94 8.4 256</p>	<p>CB97 5.85 257</p>	<p>CB41 5.25 252</p>	<p>CB86 17.4 258</p>
Dual Rows Header	<p>CH81 2.54 284</p>	<p>CH81 5.0 284</p>	<p>CH81 3.81 284</p>	<p>CH87 9.1 287</p>	<p>CH87 9.1 287</p>
	<p>CH85 2.54 Adjustable 2.54 286</p>	<p>CH85 2.54 Adjustable 3.81 286</p>			

CB

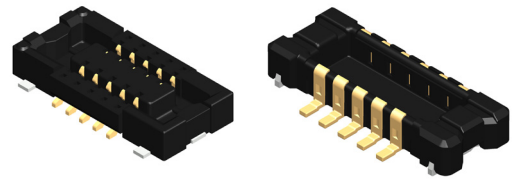
BOARD TO BOARD CONNECTORS

CBRH Series 0.4mm(.016") Board to Board Connectors

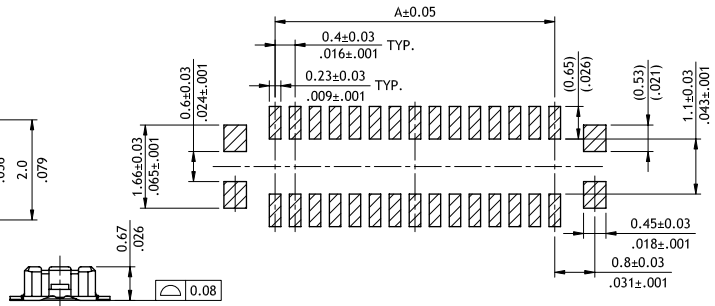
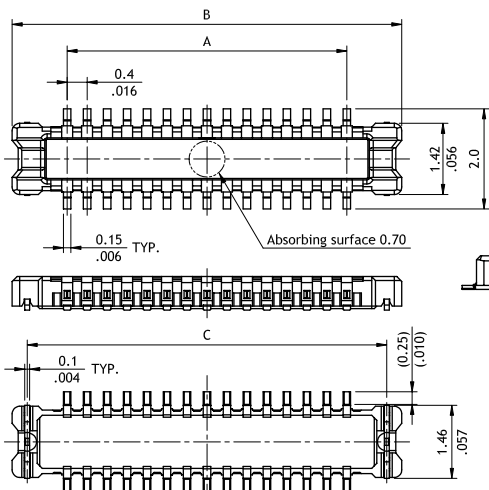
- ⊙ Mating Height 0.8 mm
- ⊙ Insulator : High temperature plastic UL 94V-0 , Color Black



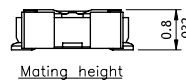
RoHS Compliant



P/N: CBRH***POWF00R0-NH

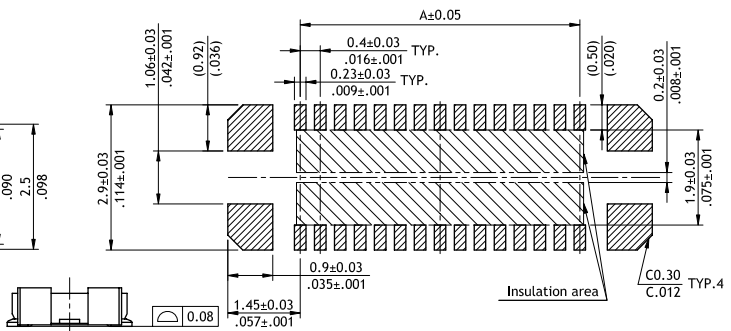
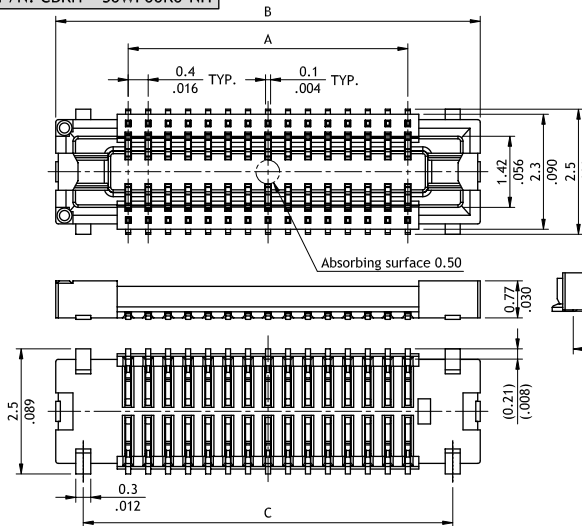


Recommended P.C. Board Layout

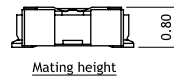


A = 0.4 x No. of Spaces
 B = A + 2.2
 C = A + 1.6

P/N: CBRH***SOWF00R0-NH



Recommended P.C. Board Layout



A = 0.4 x No. of Spaces
 B = A + 2.9
 C = A + 1.8

Ordering Code

① ② ③ ④ ⑤ ⑥ ⑦
CBRH 10 P0 W F00 R0 - NH

① ② ③ ④ ⑤ ⑥ ⑦
CBRH 10 S0 W F00 R0 - NH

- ① Series No.
- ② No. of Circuits: 10 , 24 , 30 , 40
- ③ P0= Plug
- ④ Plating Code: W = Selective 4μ"Gold flash over Nickel
- ⑤ Fixed Tab Option: F00 = With Fixed Tabs
- ⑥ Packing Options : R0 = Tape & Reel
- ⑦ NH = For Lead Free IR process and Halogen-Free

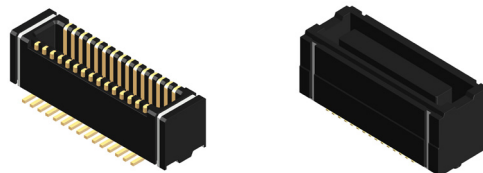
- ① Series No.
- ② No. of Circuits: 10 , 24 , 30 , 40
- ③ S0= Receptacle
- ④ Plating Code: W = Selective 4μ" Gold flash over Nickel
- ⑤ Fixed Tab Option: F00 = With Fixed Tabs
- ⑥ Packing Options : R0 = Tape & Reel
- ⑦ NH = For Lead Free IR process and Halogen-Free

CBRQ Series 0.4mm(.016") Board to Board Connectors

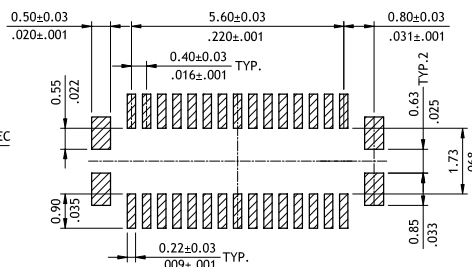
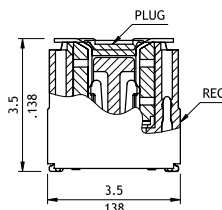
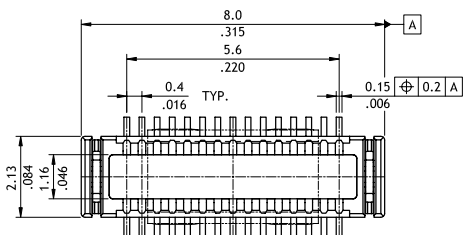
- ⊙ Mating Height 3.5mm
- ⊙ Insulator : High temperature plastic UL 94V-0 , Color Black

NEW

RoHS Compliant

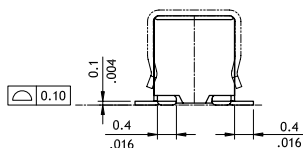
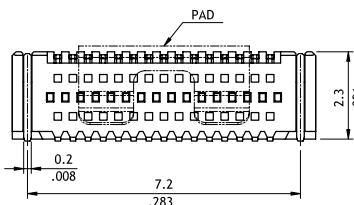


P/N: CBRQ030PA2F00R0-LF

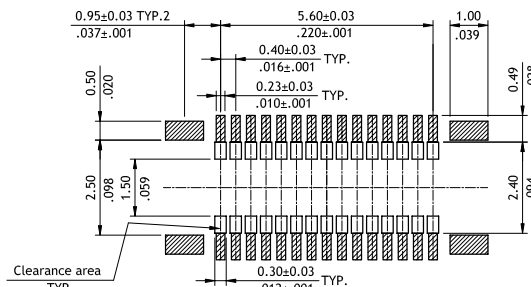
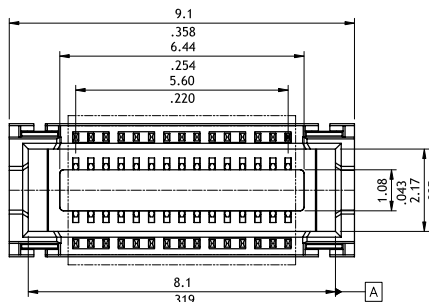


MATING CONDITION

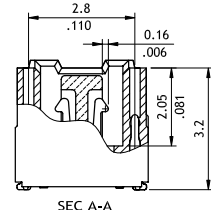
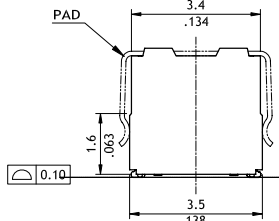
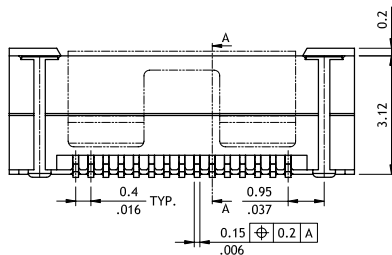
Recommended P.C. Board Layout
General tolerance ±0.05



P/N: CBRQ030SA2F00R0-LF



Recommended P.C. Board Layout
General tolerance ±0.05



Ordering Code

① CBRQ ② 030 ③ P ④ A ⑤ 2 ⑥ F ⑦ 00 ⑧ R0 - LF ⑨ CBRQ ① 030 ② S ③ A ④ 2 ⑤ F ⑥ 00 ⑦ R0 - LF ⑧ ⑨

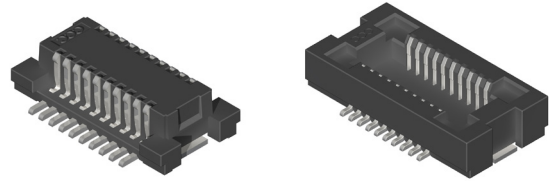
- ① Series No.
- ② No. of Circuits: 30
- ③ P= Plug
- ④ Height : A :2.30mm
- ⑤ Plating Code: 2 = Gold flash over Nickel
- ⑥ Fixed Tab Option : F=With Fixed Tabs
- ⑦ Pegs Option : 00 = Without Pegs
- ⑧ Packing Option : R0 =Tape & Reel
- ⑨ LF = For Lead Free IR process

- ① Series No.
- ② No. of Circuits: 30
- ③ S= Receptacle
- ④ Height : A : 3.12mm
- ⑤ Plating Code: 2 = Gold flash over Nickel
- ⑥ Fixed Tab Option : F=With Fixed Tabs
- ⑦ Pegs Option : 00 = Without Pegs
- ⑧ Packing Option : R0 =Tape & Reel
- ⑨ LF = For Lead Free IR process

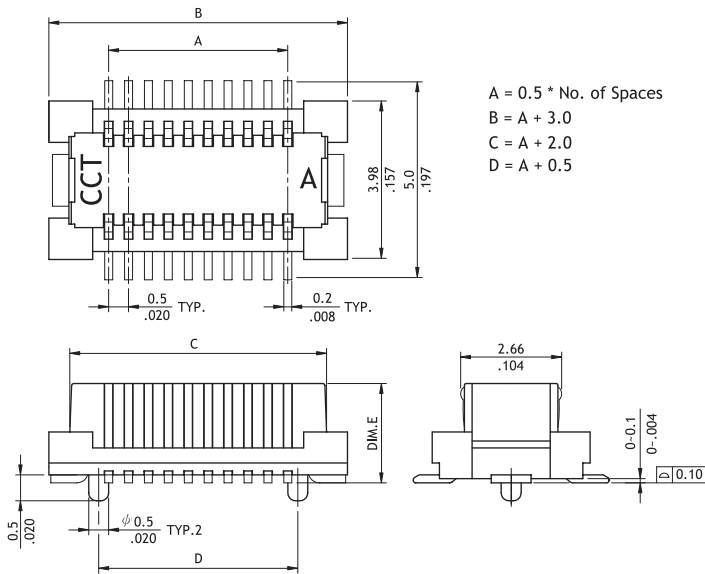
CBRB Series 0.50mm(.020") Board To Board Connectors

- ⊙ Mating Height 2.5, 3.0, 3.5, 4.0, 4.5, 5.0mm
- ⊙ Insulator: High temperature plastic UL 94V-0, Color Black

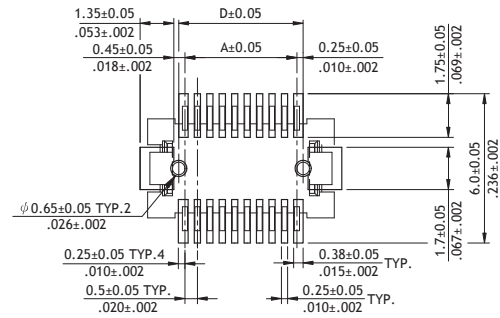
RoHS Compliant  



P/N CBRB***P*2FP1R0-NH

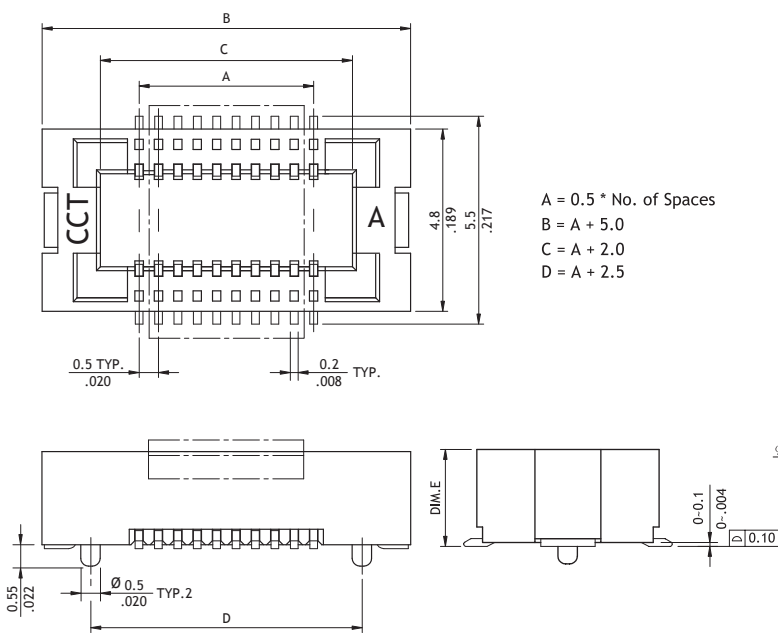


Mating Height	DIM.E
2.5, 3.0, 4.5 mm	2.0
3.5, 4.0, 5.0 mm	3.0

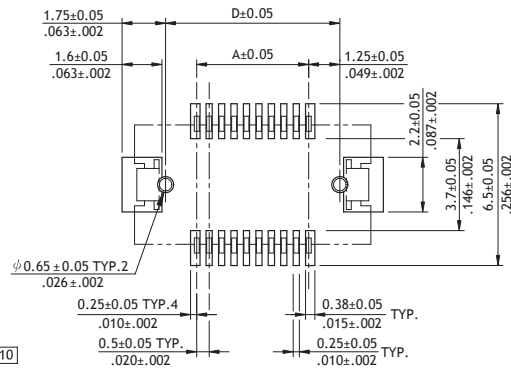


Recommended PCB Layout

P/N CBRB***S*2FP1R0-NH

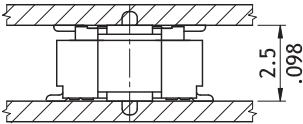
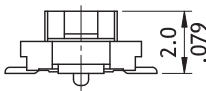
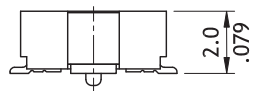
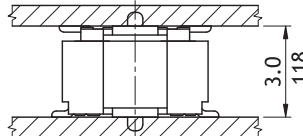
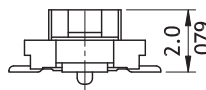
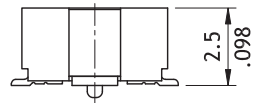
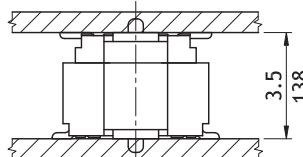
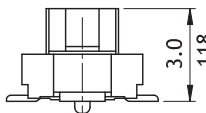

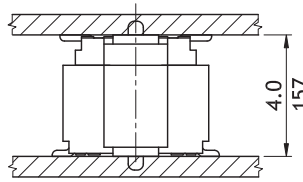
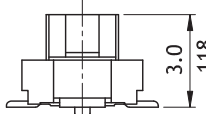
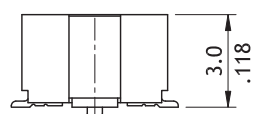
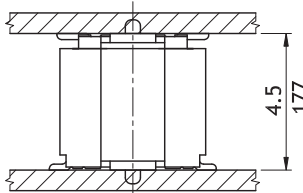
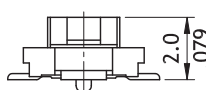
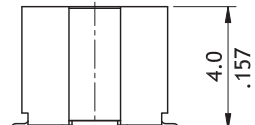
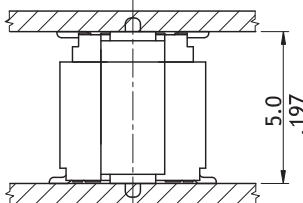
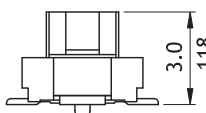
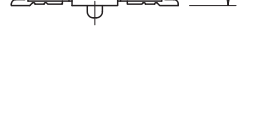


Mating Height	DIM.E
2.5 mm	2.0
3.0 / 3.5 mm	2.5
4.0 mm	3.0
4.5 / 5.0 mm	4.0



Recommended PCB Layout

CBRB Series 0.50mm(.020") Board To Board Connectors

Mating height	Plug	Receptacle
 2.5 .098	 2.0 .079 P/N:CBRB***PA2FP1R0-NH	 2.0 .079 P/N:CBRB***SA2FP1R0-NH
 3.0 .118	 2.0 .079 P/N:CBRB***PA2FP1R0-NH	 2.5 .098
 3.5 .138	Circuits: 10~60 Pin  3.0 .118 P/N:CBRB***PC2FP1R0-NH	 2.5 .098 P/N:CBRB***SB2FP1R0-NH
 4.0 .157	Circuits: 10~60 Pin  3.0 .118 P/N:CBRB***PC2FP1R0-NH	 3.0 .118 P/N:CBRB***SC2FP1R0-NH
 4.5 .177	 2.0 .079 P/N:CBRB***PA2FP1R0-NH	 4.0 .157
 5.0 .197	Circuits: 10~60 Pin  3.0 .118 P/N:CBRB***PC2FP1R0-NH	 4.0 .157 P/N:CBRB***SD2FP1R0-NH

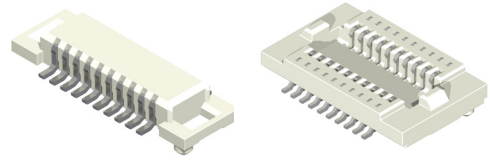
CB

Ordering Code	①	②	③	④	⑤	⑥	⑦	⑧	⑨	⑩
	CBRB	080	P	A	2	F	P1	R	0	- NH
① Series No.										
② No. of Circuits: 010 ~ 080										
③ Connector Type: P = Plug, S = Receptacle										
④ Height:										
Plug: A: DIM.E = 2.0mm , C: DIM.E = 3.0mm										
Receptacle:										
A: DIM.E = 2.0mm , B: DIM.E = 2.5mm										
C: DIM.E = 3.0mm , E: DIM.E = 4.0mm										
⑤ Plating Code: 2 = Gold flash over Nickel										
⑥ Tabs Options: F = With Fixed Tabs										
0 = Without Fixed Tabs										
⑦ Pegs Options: P1 = With Pegs										
00 = Without Peg										
⑧ Packing Options: R = Tape & Reel										
⑨ Other Options: 0 = Standard										
⑩ NH = For Lead Free IR process and Halogen-Free										

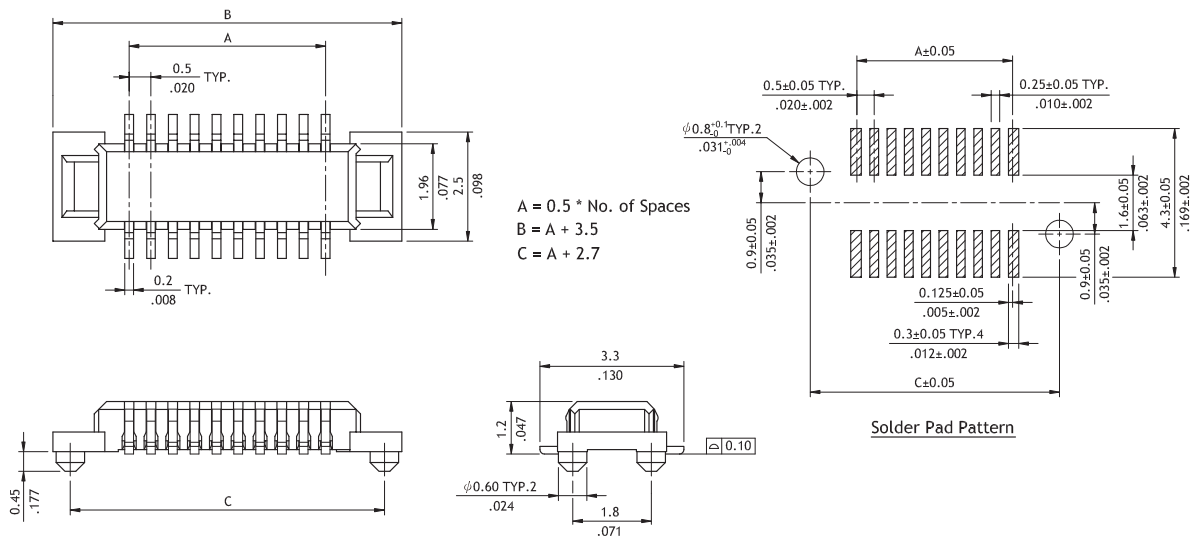
CBRC Series 0.50mm(.020") Board To Board Connectors

- ⊙ Mating Height 1.5mm & 2.0mm
- ⊙ Insulator: High temperature plastic UL 94V-0, Color Nature

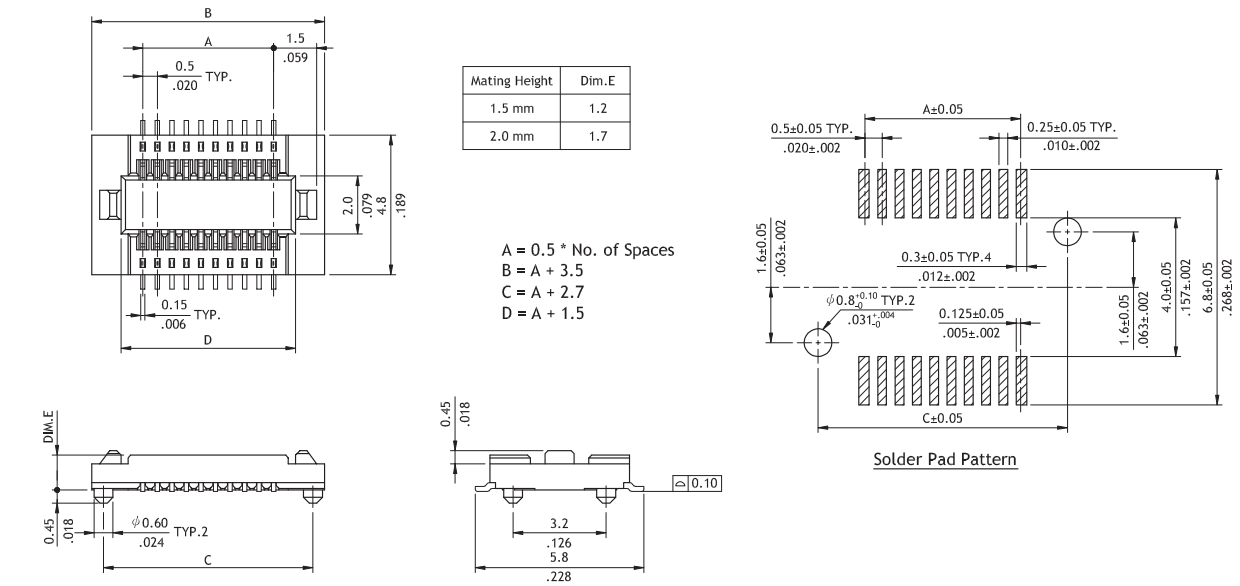
RoHS Compliant  



P/N CBRC**P02001R0-NH



P/N CBRC**S*2001R0-NH



CB

BOARD TO BOARD CONNECTORS

CBRC Series 0.50mm(.020") Board To Board Connectors

- ⊙ Mating Height 1.5mm & 2.0mm
- ⊙ Insulator: High temperature plastic UL 94V-0, Color Nature

RoHS Compliant

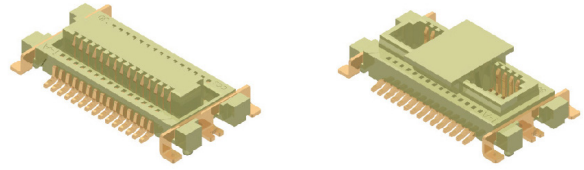
Mating Height	Plug	Receptacle
<p>1.5 .059</p>	<p>Circuits: 10, 16, 20, 22</p> <p>1.2 .047</p> <p>P/N:CBRC***P0*001R0-NH</p>	<p>Circuits: 10, 16, 20, 22</p> <p>1.2 .047</p> <p>P/N:CBRC***S0200*R0-NH</p>
<p>2.0 .079</p>	<p>Circuits: 10, 16, 20, 22</p> <p>1.2 .047</p> <p>P/N:CBRC***P0*001R0-NH</p>	<p>Circuits: 10</p> <p>1.7 .067</p> <p>P/N:CBRC***SA200*R0-NH</p>

Ordering Code	①	②	③	④	⑤	⑥	⑦	⑧
	CBRC	024	P0	2	001	R	0	-NH
① Series No.								
② No. of Circuits:								
S0 = 18 , 24 , 30 , 50								
P0 = 18 , 24 , 30 , 40 , 50								
③ Connector Type:								
P0 = Plug								
S0 = Receptacle (DIM.E = 1.2mm)								
SA = Receptacle (DIM.E = 1.7mm)								
④ Plating Code : 2 = Gold flash over Nickel								
⑤ Pegs Options: 000 = Without Peg								
001 = With Pegs								
⑥ Packing Options: R = Tape & Reel								
⑦ Other Options: 0 = Standard								
⑧ NH = For Lead Free IR process and Halogen-Free								

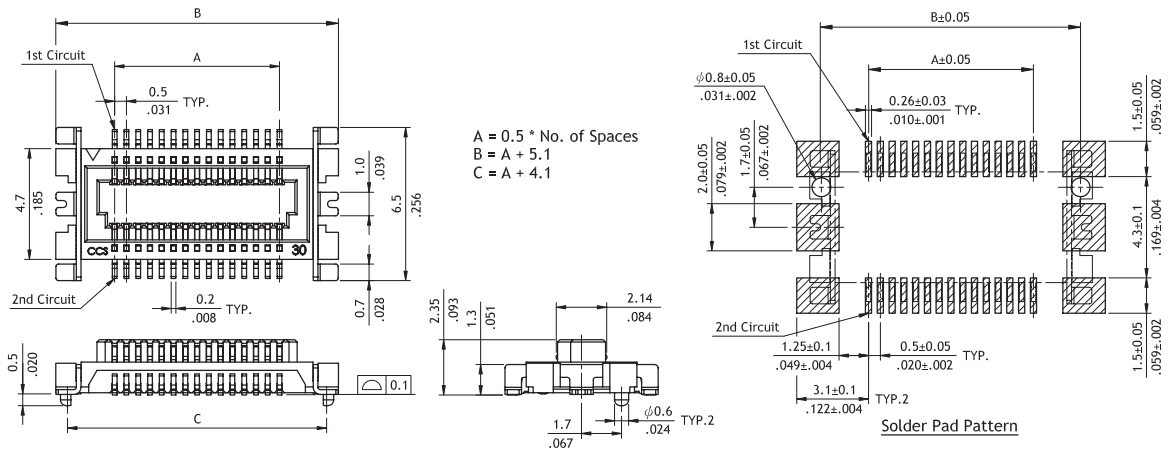
CBRE Series 0.50mm(.020") Board To Board Connectors

- ⊙ Mating Height 3.0mm & 3.5mm
- ⊙ Insulator: High temperature plastic UL 94V-0, Color Nature
- ⊙ With metal fixed tabs to secure connector in place

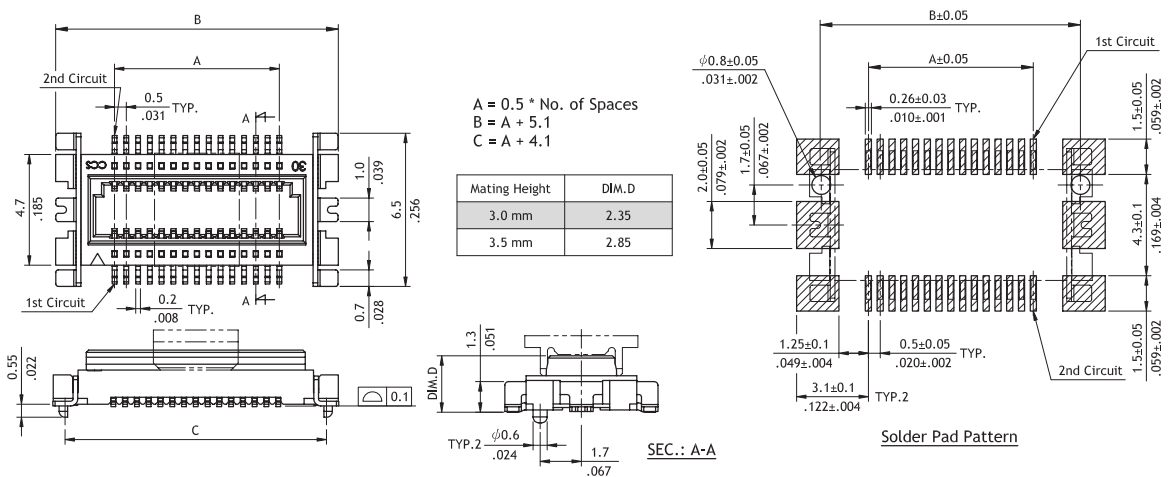
RoHS Compliant  



P/N CBRE***PA2FP1R0-NH



P/N CBRE***S*2FP1R0-NH



CB

BOARD TO BOARD CONNECTORS

CBRE Series 0.50mm(.020") Board To Board Connectors

- ⊙ Mating Height 3.0mm & 3.5mm
- ⊙ Insulator: High temperature plastic UL 94V-0, Color Nature
- ⊙ With metal fixed tabs to secure connector in place

RoHS Compliant

Mating Height	Plug	Receptacle
<p>3.0 .118</p>	<p>Circuits: 10, 20, 30</p> <p>2.35 .093</p> <p>P/N:CBRE***PA2FP1R0-NH</p>	<p>Circuits: 10, 30</p> <p>2.35 .093</p> <p>P/N:CBRE***SA2FP1R0-NH</p>
<p>3.5 .138</p>	<p>Circuits: 10, 20, 30</p> <p>2.35 .093</p> <p>P/N:CBRE***PA2FP1R0-NH</p>	<p>Circuits: 20</p> <p>2.85 .112</p> <p>P/N:CBRE***SB2FP1R0-NH</p>

Ordering Code	①	②	③	④	⑤	⑥	⑦	⑧	⑨	
	CBRE	030	PA	2	F	P1	R	0	- NH	
① Series No.	② No. of Circuits: 10, 20, 30 *Circuits not found above please consult manufacturer		④ Plating Code: 2 = Gold flash over Nickel		⑤ Fixed Tab Options: F = With Fixed Tabs		⑥ Pegs Options: P1 = With Pegs		⑦ Packing Options: R = Tape & Reel	
③ Connector Type: PA = Plug SA = Receptacle (DIM.E = 2.35mm) SB = Receptacle (DIM.E = 2.85mm)			⑧ Other Options: 0 = Standard		⑨ NH = For Lead Free IR process and Halogen-Free					

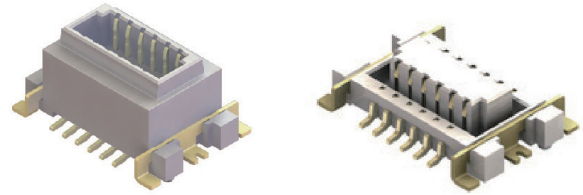
CB

BOARD TO BOARD CONNECTORS

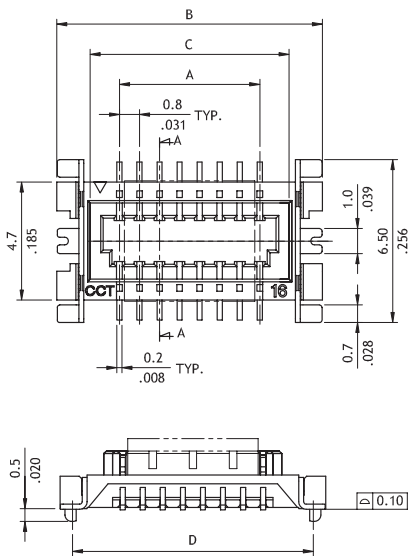
CBRD Series 0.80mm(.031") Board To Board Connectors

- ⊙ Mating Height 4.0, 5.0 & 8.0mm
- ⊙ Insulator: High temperature plastic UL 94V-0, Color Nature

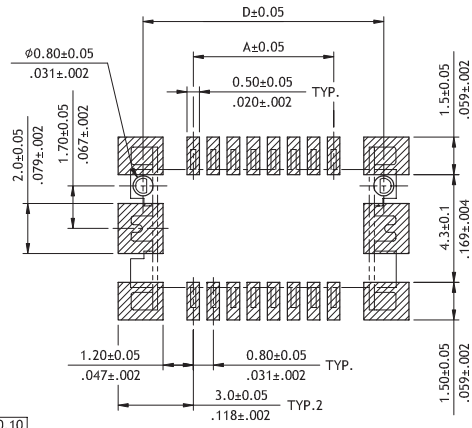
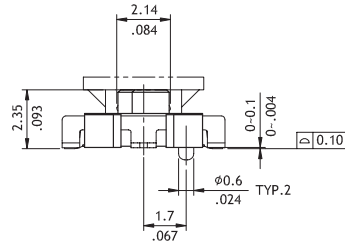
RoHS Compliant



P/N CBRD***PA2***R0-NH

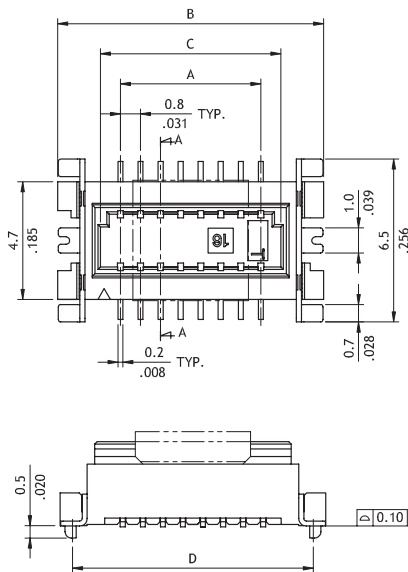


A = 0.8 * No. of Spaces
 B = A + 5.0
 C = A + 2.34
 D = A + 4.0



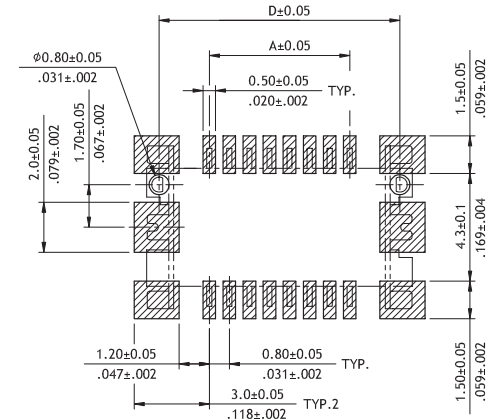
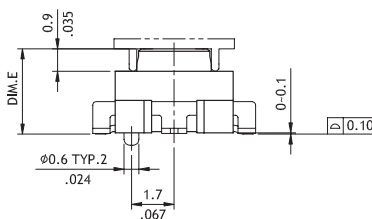
Recommended PCB Layout

P/N CBRD***S*2***R0-NH



A = 0.8 * No. of Spaces
 B = A + 5.0
 C = A + 1.6
 D = A + 4.0

Mating Height	DIM.E
4.0 mm	3.4
5.0 mm	4.4
8.0 mm	7.4



Recommended PCB Layout

CB

BOARD TO BOARD CONNECTORS

CBRD Series 0.80mm(.031") Board To Board Connectors

© MOQ: 5000pcs but also based on MPQ

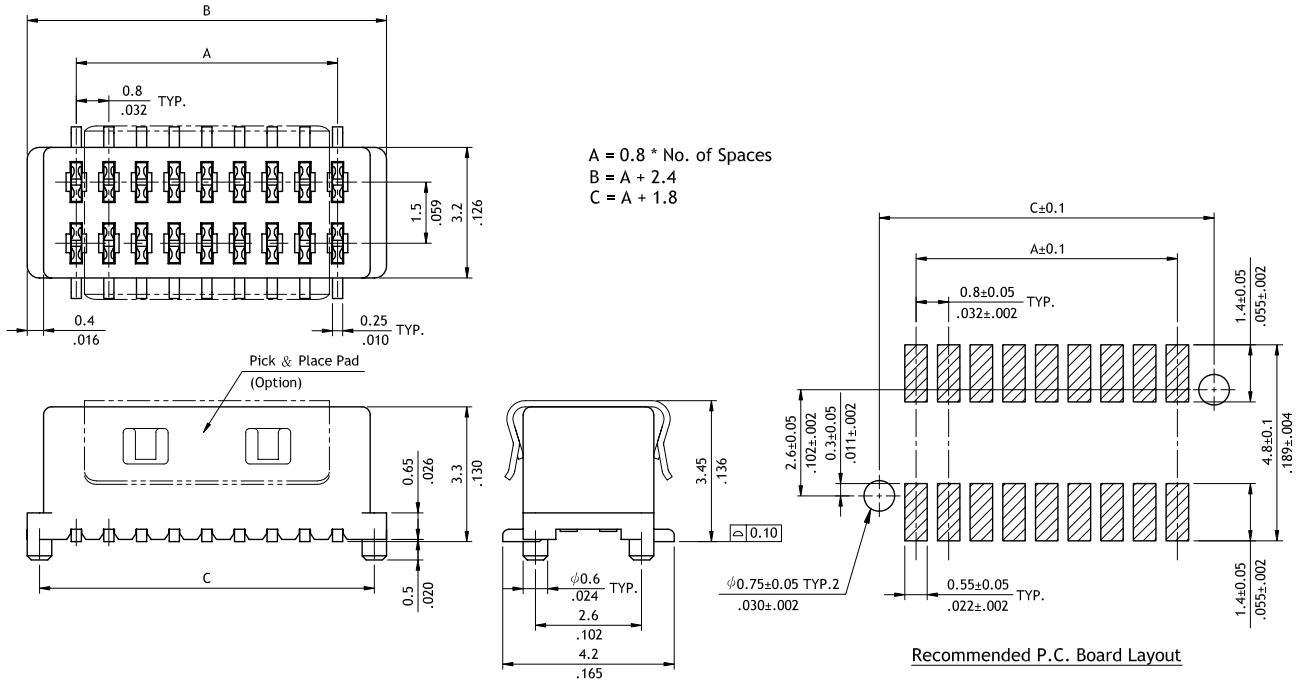
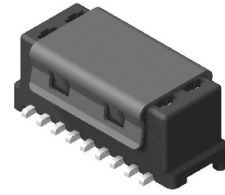
Mating Height	Plug	Receptacle
<p>4.0 .157</p>	<p>2.35 .093</p> <p>P/N: CBRD***PA2FP1R0-NH</p>	<p>3.4 .134</p> <p>P/N: CBRD***SA2FP1R0-NH</p>
<p>5.0 .197</p>	<p>2.35 .093</p> <p>P/N: CBRD***PA2FP1R0-NH</p>	<p>4.4 .173</p> <p>P/N: CBRD***SB2FP1R0-NH</p>
<p>8.0 .315</p>	<p>2.35 .093</p> <p>P/N: CBRD***PA2FP1R0-NH</p>	<p>7.4 .291</p> <p>P/N: CBRD***SE2FP1R0-NH</p>

Ordering Code	①	②	③	④	⑤	⑥	⑦	⑧	⑨	⑩
	CBRD	080	S	A	2	F	P1	R	0	- NH
<p>① Series No.</p> <p>② No. of Circuits: 010 ~ 080 (Available: 10,12,14,16,20,24,30,34,36,40,50,60,80) *Circuits not found above please consult manufacturer</p> <p>③ Connector Type: P = Plug S = Receptacle</p>	<p>④ Height: Plug: A: DIM.E = 2.35mm Receptacle: A: DIM.E = 3.40mm B: DIM.E = 4.40mm E: DIM.E = 7.40mm</p> <p>⑤ Plating Code: 2 = Gold flash over Nickel</p> <p>⑥ Fixed Tab Options: 0 = Without Fixed Tab F = With Fixed Tabs</p>	<p>⑦ Pegs Options: 00 = Without Peg P1 = With Pegs</p> <p>⑧ Packing Options: R = Tape & Reel</p> <p>⑨ Other Options: 0 = Standard</p> <p>⑩ NH = For Lead Free IR process and Halogen-Free</p>								

CBC3 Series 0.80mm(.031") Dual Row Female Headers

- ⊙ Mate with CHC3 Header
- ⊙ Insulator: High temperature plastic UL 94V-0, Color Black

RoHS Compliant



Ordering Code

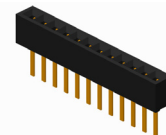
①
②
③
④
⑤
⑥
⑦
CBC3
36
1
M
1
R
0

- ① Series No.
- ② No. of Circuits: 06 ~ 36
- ③ Plating Code:
1 = Tin over Nickel
2 = Gold flash over Nickel
- ④ Tail Style: M = SMT Type
- ⑤ Color: 1 = Black
- ⑥ Packing Options:
R = Tape & Reel (With pick & place pad)
T = Tube
- ⑦ Other Options: 0 = Standard
* Special options consult manufacturer

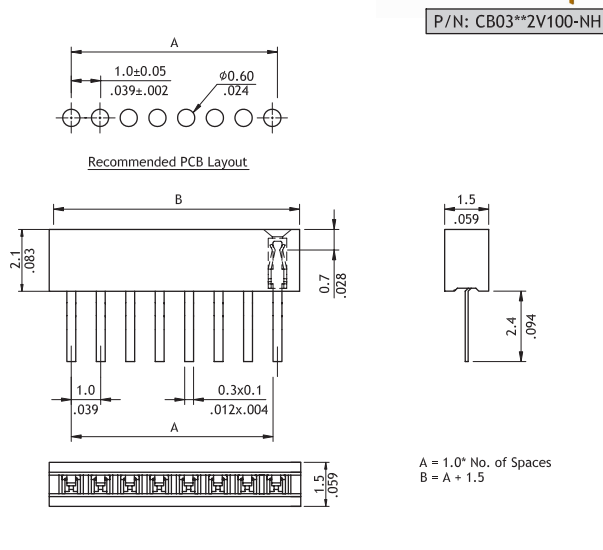
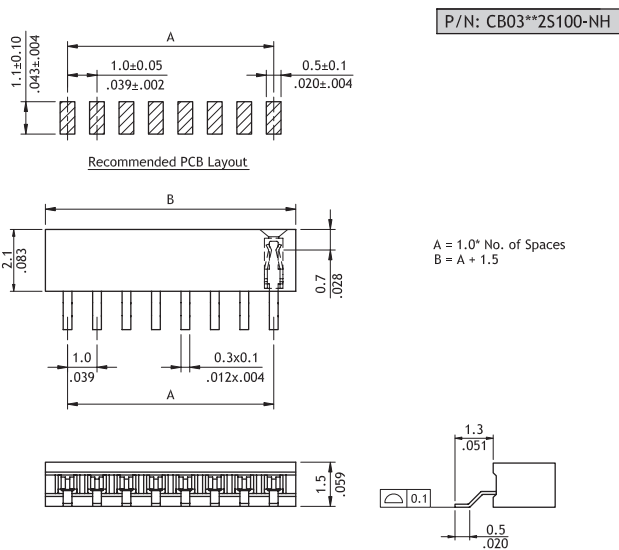
CB03 Series 1.00mm(.039") SMT Type Single Row Pin Headers

☉ Mate with CH07 series

RoHS Compliant



P/N: CB03**2V100-NH



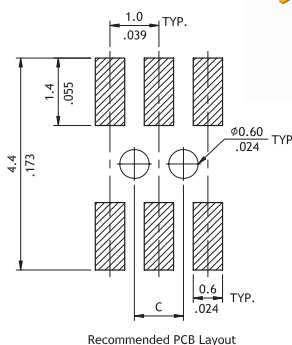
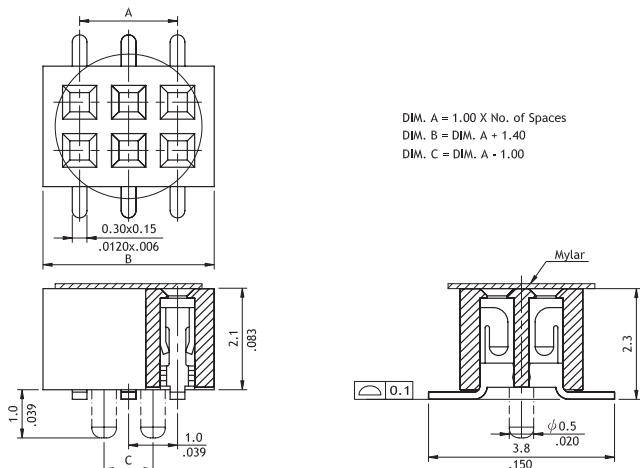
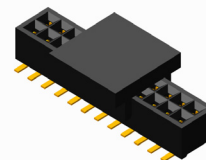
Ordering Code

① ② ③ ④ ⑤ ⑥ ⑦
CB03 502S100-NH

- ① Series No.
- ② No. of Circuits: 02 ~ 50
- ③ Plating Code: 2 = Gold flash over Nickel
- ④ Tail Style: S = SMT Type , V = Straight DIP Type
- ⑤ Color: 1 = Black
- ⑥ Other Options: 00 = Standard
- ⑦ NH = For Lead Free Soldering process and Halogen-Free

CB12 Series 1.00mm(.039") Dual Row Female Headers

☉ Mate with CH16 series



Ordering Code

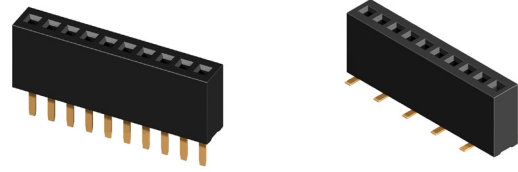
① ② ③ ④ ⑤ ⑥ ⑦ ⑧
CB12 362M100-RP

- ① Series No.
- ② No. of Circuits: 06 ~ 100
- ③ Plating Code: 2 = Gold flash over Nickel
- ④ Tail Style: M = SMT Type
- ⑤ Color: 1 = Black
- ⑥ Other Options: 00 = Standard
- ⑦ Packing Options: R = Tape & Reel
- ⑧ Pegs Options:
 0 = Without Mylar & Peg
 P = With Mylar & Without Peg

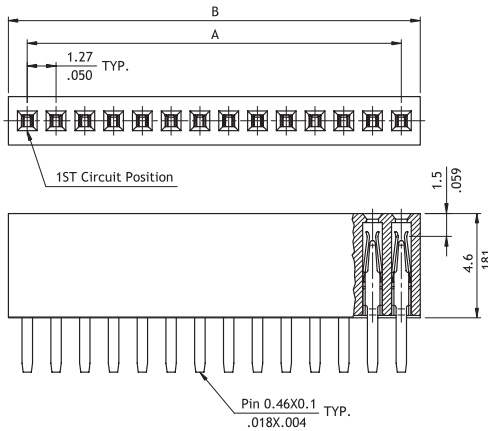
CB01 Series 1.27mm(.050") Single Row Female Headers

⊙ Mates with CH01, CH02 and CH03 series

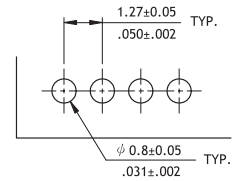
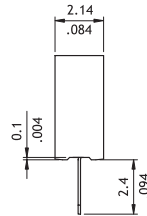
RoHS Compliant



P/N CB01**2D100-NH

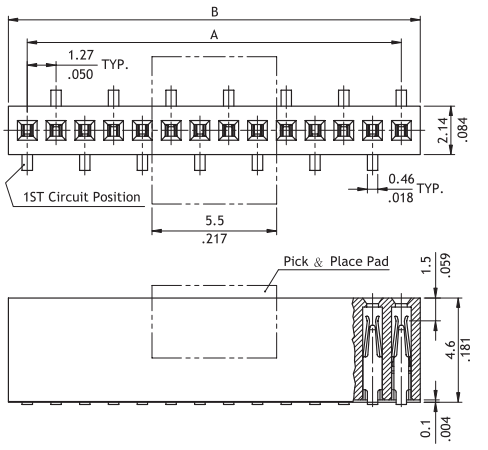


$A = 1.27 * \text{No. of Spaces}$
 $B = A + 1.67$

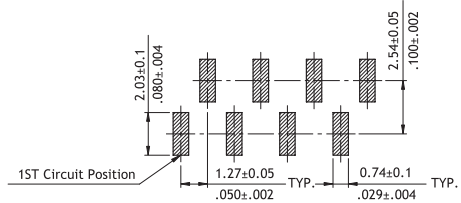
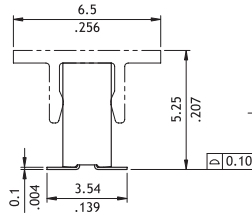


Recommended PCB Layout

P/N CB01**2M100-2*-NH



$A = 1.27 * \text{No. of Spaces}$
 $B = A + 1.67$



Recommended PCB Layout

Ordering Code

① ② ③ ④ ⑤ ⑥ ⑦ ⑧ ⑨
CB 0 1 5 0 2 M 1 0 0 - 2 0 - NH

- ① Series No.
- ② No. of Circuits: 04 ~ 50
- ③ Plating Code: 2 = Gold flash over Nickel
- ④ Tail Style: M = SMT Type
D = DIP Type
- ⑤ Color: 1 = Black
- ⑥ Other Options: 00 = Standard

- ⑦ Mating Header Pin Size:
2 = 0.4mm Square Pin
- ⑧ Packing Options:
0 = Without Pick & Place Pad (Tube)
P = With Pick & Place Pad (Tape & Reel)
*Code 7 and 8 for SMT Type only
- ⑨ NH = For Lead Free Soldering process and Halogen-Free

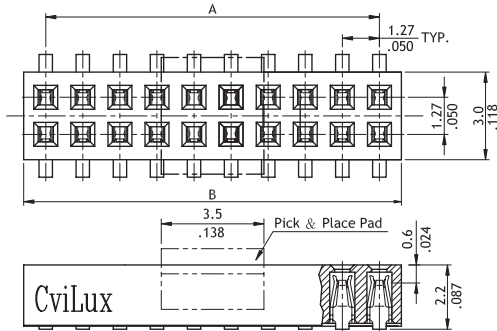
CB50 Series 1.27mm(.050") Dual Row Female Headers

- ⊙ Ultra Low profile
- ⊙ Top and bottom entry available
- ⊙ High performance contact design
- ⊙ Mates with CH51, CH52, CH53 and CH57 series

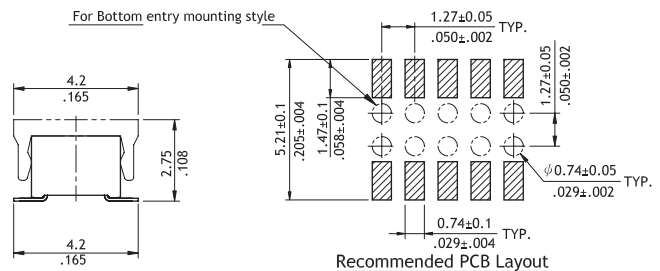
RoHS Compliant



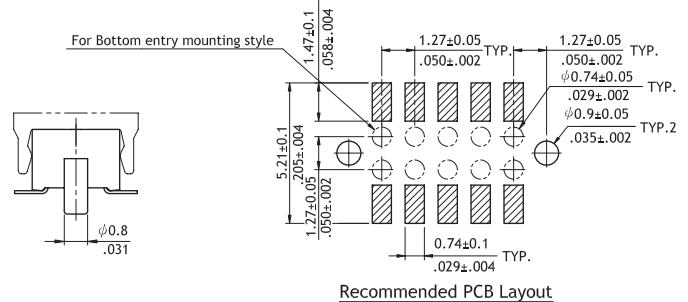
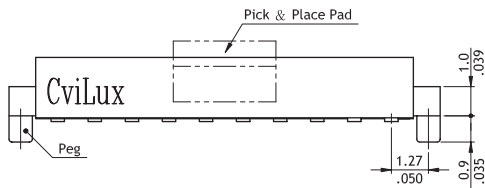
P/N CB50**20**0-NH



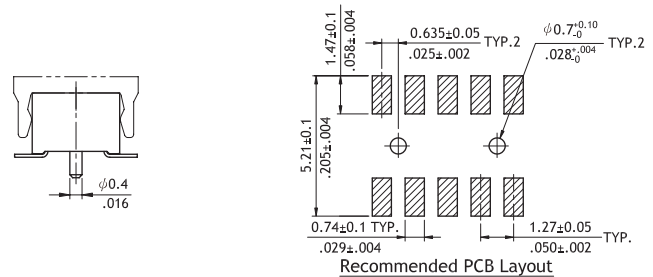
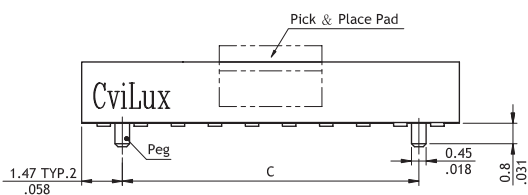
Dim. A = 1.27 X No. of Spaces
 Dim. B = Dim. A + 1.67
 Dim. C = Dim. A - 1.27



P/N CB50**2P**0-NH



P/N CB50**2A**0-NH



Ordering Code

① ② ③ ④ ⑤ ⑥ ⑦ ⑧
CB 5 0 6 0 2 0 0 R 0 - NH

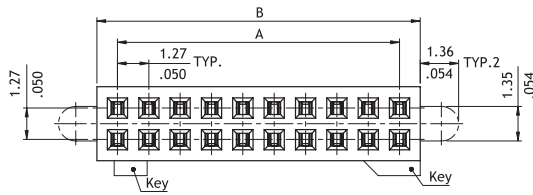
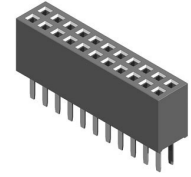
- ① Series No.
- ② No. of Circuits: 06 ~60
- ③ Plating Code: 2 = Gold flash over Nickel
- ④ Pegs Options:
 0 = Without Peg
 P = With Pegs Type 1
 A = With Pegs Type 2

- ⑤ Pegs Options:
 0 = Without Pick & Place Pad
 P = With Pick & Place Pad
- ⑥ Packing Options : R = Tape & Reel
 T = Tube
- ⑦ Other Options: 0 = Standard
 *Special options consult manufacturer
- ⑧ NH = For Lead Free IR process and Halogen-Free

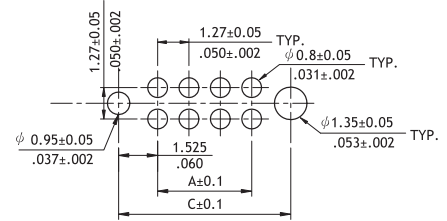
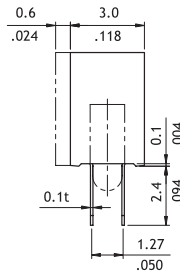
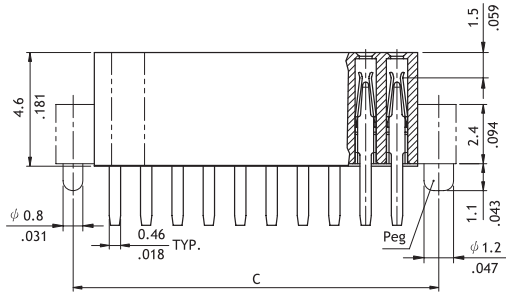
CBC1 Series 1.27mm(.050") Dual Row Female Headers

- ⊙ Mates with 1.27mm pitch 0.40mm Square pin Header
- ⊙ High performance contact design
- ⊙ Low insertion Force, Anti-flux
- ⊙ With PCB pegs options

RoHS Compliant  



A = 1.27 X No. of Spaces
 B = A + 1.67
 C = A + 3.05



Recommended PCB Layout

Ordering Code

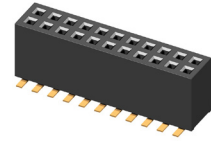
① ② ③ ④ ⑤ ⑥ ⑦
CBC1 60 2 D 1 00 - NH

- ① Series No.
- ② No. of Circuits:
 With keys: 10, 20, 30 ~ 60
 Without keys: 06 ~ 60
- ③ Plating Code : 2 = Gold flash over Nickel
- ④ Tail Style: D = DIP Type
- ⑤ Color: 1 = Black
- ⑥ Other Options:
 00 = Without Key and Peg
 10 = With Keys and Pegs
 20 = Without Key and With Pegs
- ⑦ NH = For Lead Free soldering process and Halogen-Free

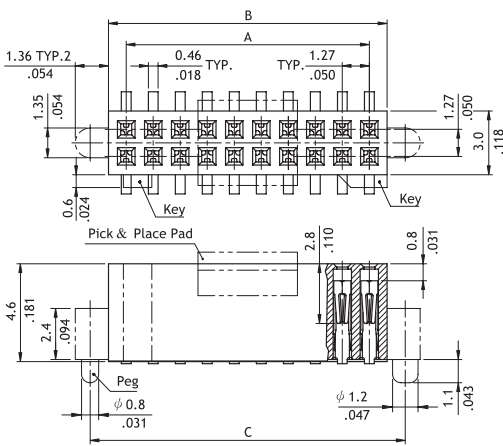
CBC1 Series 1.27mm(.050") Dual Row Female Headers

- ⊙ Mates with CH51, CH52, CH53, CH57 and CHC2 series
- ⊙ Pick and Place Pad available
- ⊙ High performance contact design
- ⊙ With PCB Pegs options

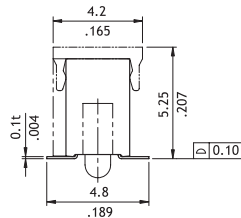
RoHS Compliant



P/N CBC1**2M1*0-1*-NH

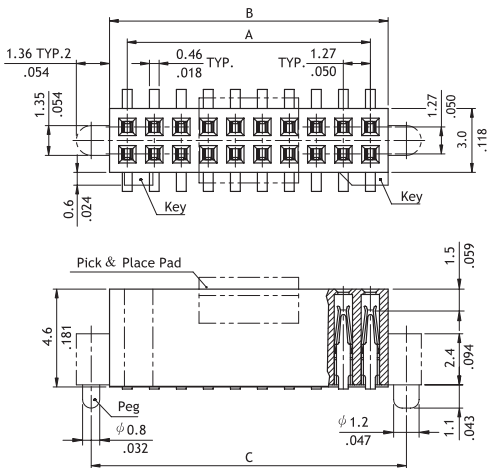


A = 1.27 X No. of Spaces
 B = A + 1.67
 C = A + 3.05

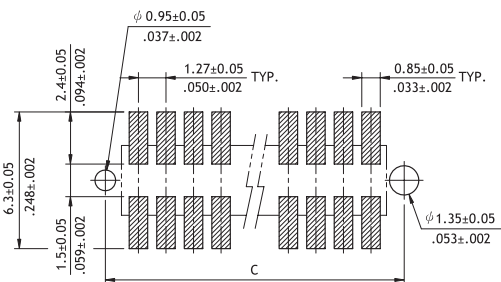
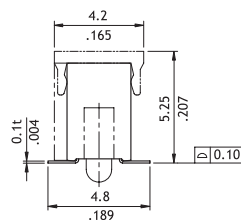


Without Key and Peg ; Without Pick & Place Pad	
With Key and Pegs ; Without Pick & Place Pad	
Without Key ; With Pegs ; Without Pick & Place Pad	
Without Key and Peg ; With Pick & Place Pad	
With Key and Pegs ; With Pick & Place Pad	
Without Key ; With Pegs ; With Pick & Place Pad	

P/N CBC1**2M1*0-2*-NH



A = 1.27 X No. of Spaces
 B = A + 1.67
 C = A + 3.05



Recommended PCB Layout

Ordering Code

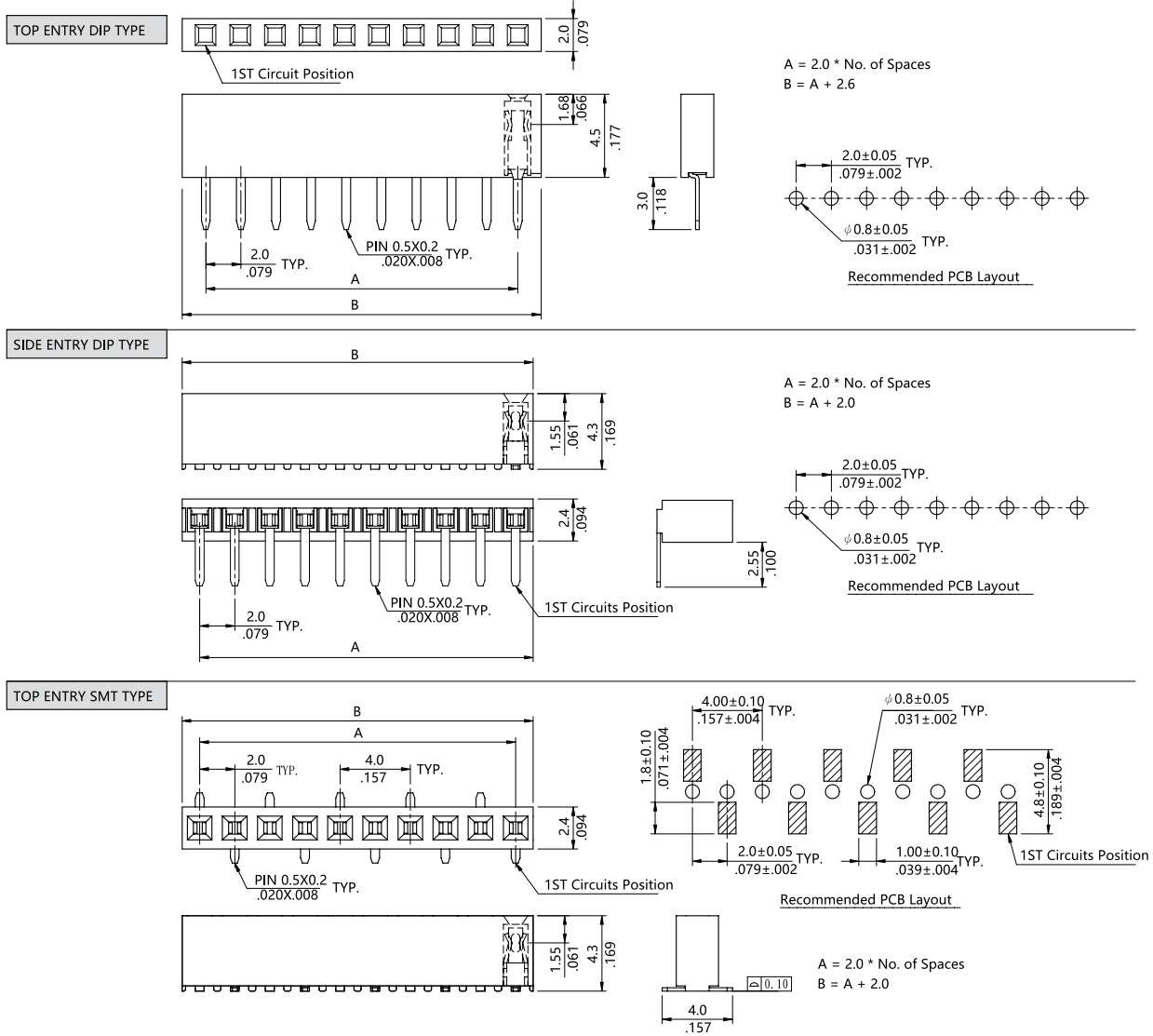
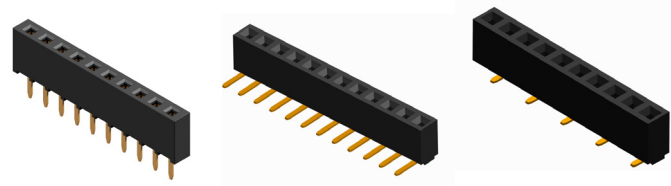
① ② ③ ④ ⑤ ⑥ ⑦ ⑧ ⑨ ⑩
CBC1 602M100-2P-NH

- ① Series No.
- ② No. of Circuits:
 With Keys: 10 ~60
 Without Keys: 06 ~ 60
- ③ Plating Code : 2 = Gold flash over Nickel
- ④ Tail Style: M = SMT Type
- ⑤ Color: 1 = Black
- ⑥ Other Options:
 0 = Without Key and Peg
 1 = With Keys and Pegs
 2 = Without Key and With Pegs
- ⑦ Other Options:
 0 = Standard
- ⑧ Mating Header Pin Size:
 1 = 0.46mm Round Pin
 2 = 0.40mm Square Pin
- ⑨ Packing Options:
 0 = Without Pick & Place Pad (Tube)
 P = With Picks & Place Pad (Tape & Reel)
- ⑩ NH = For Lead Free IR process and Halogen-Free

CB22 Series 2.00mm(.079") Single Row Female Headers

☉ Mates with CH11 and CH21 series

RoHS Compliant



Ordering Code

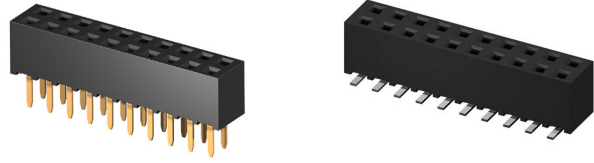
①	②	③	④	⑤	⑥
CB	22	40	2	V	1
					00

- ① Series No.
- ② No. of Circuits:
DIP : 02 ~ 40 SMT: 03 ~ 30
- ③ Plating Code : 2 = Gold flash over Nickel
- ④ Tail Style:
V = Straight DIP
H= Right angle DIP
M= Straight SMT
- ⑤ Color: 1 = Black
- ⑥ Other Options : 00 = Standard
*Special options consult manufacturer

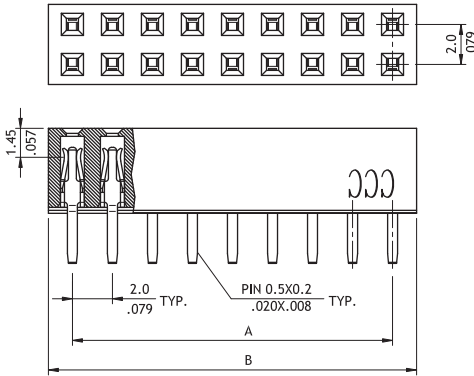
CB74 Series 2.00mm(.079") Dual Row Female Headers

⊙ Mates with CH71, CH72 and CH75 series

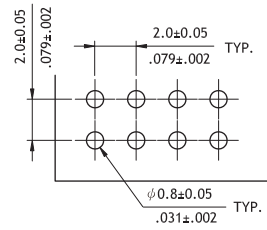
RoHS Compliant



P/N CB74**2V100-NH

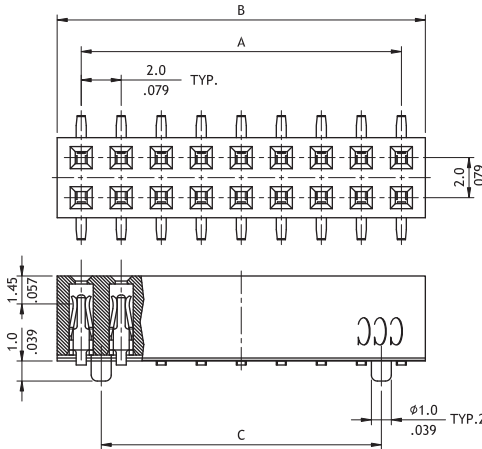


A = 2.0 * No. of Spaces
B = A + 2.4

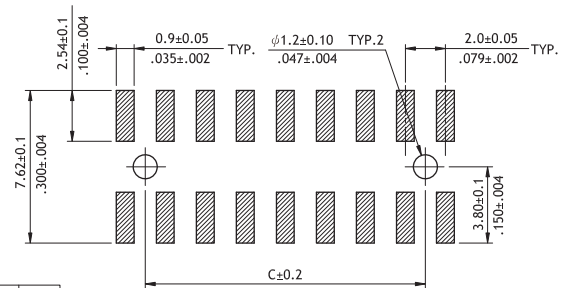


Recommended PCB Layout

P/N CB74**2M100-NH



A = 2.0 * No. of Spaces
B = A + 2.4
C = A - 2.0



Recommended PCB Layout

Ordering Code

① ② ③ ④ ⑤ ⑥ ⑦
CB 7 4 8 0 2 M 1 0 0 - NH

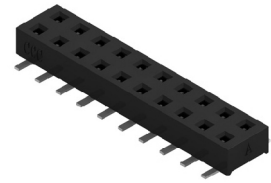
- ① Series No.
- ② No. of Circuits: 04 ~ 80
- ③ Plating Code : 2 = Gold flash over Nickel
- ④ Tail Style:
V = Top Entry DIP Type
M = Top Entry SMT Type

- ⑤ Color: 1 = Black
- ⑥ Other Options:
00 = Standard
*Special options consult manufacturer
- ⑦ NH = For Lead Free soldering process and Halogen-Free

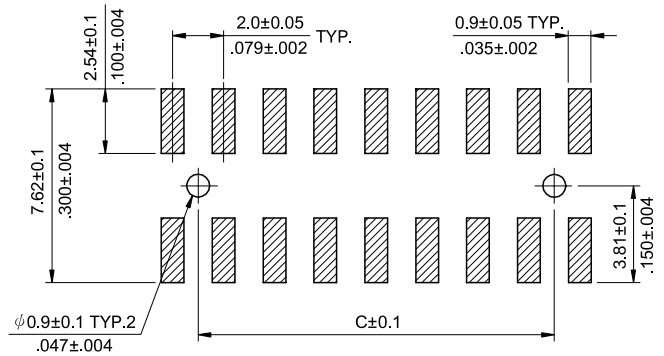
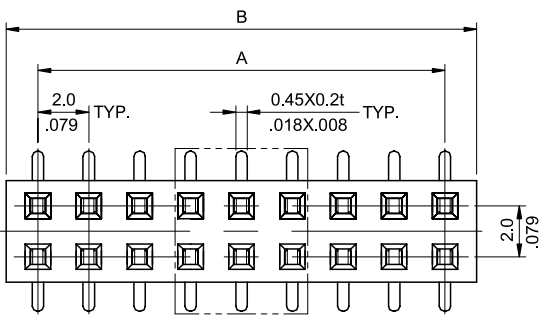
CB76 Series 2.00mm(.079") Dual Row Female Headers

☉ Mate with CH71, CH72 and CH75 series

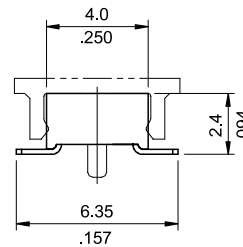
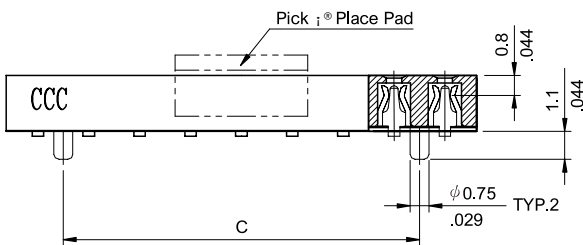
RoHS Compliant  



CB



Recommended P.C. Board Layout



A = 2.0 * No. of Spaces
 B = A + 2.5
 C = A - 2.0

Ordering Code

① ② ③ ④ ⑤ ⑥ ⑦ ⑧
CB 7 6 4 0 2 M 1 0 0 - NH

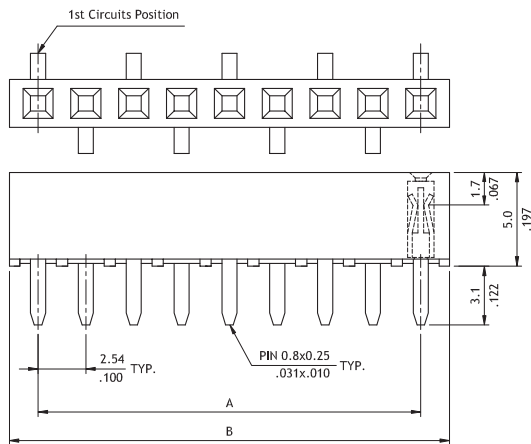
- ① Series No.
- ② No. of Circuits: 04 ~ 40
- ③ Plating Code : 2 = Gold flash over Nickel
- ④ Tail Style: M = SMT Type
- ⑤ Color: 1 = Black

- ⑥ Pegs Options:
 0 = With Pegs
 1 = Without Peg
- ⑦ Packing Options:
 0 = Tube packing
 R = Tape & Reel (With Pick & Place Pad)
- ⑧ NH = For Lead Free IR process and Halogen-Free

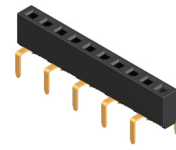
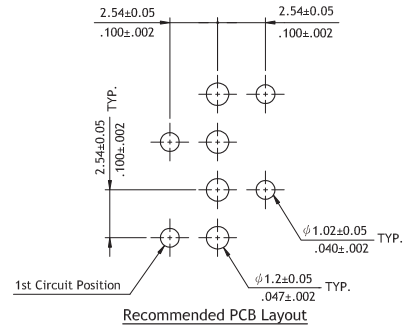
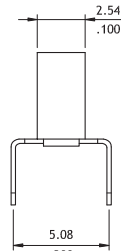
CB33 Series 2.54mm(.100") Single Row Dual Entry Female Header

⊙ Mates with CH31 and CH34 series

RoHS Compliant



$A = 2.54 * \text{No. of Spaces}$
 $B = A + 3.14$



Ordering Code

①	②	③	④	⑤	⑥
CB33	40	2	R	1	00

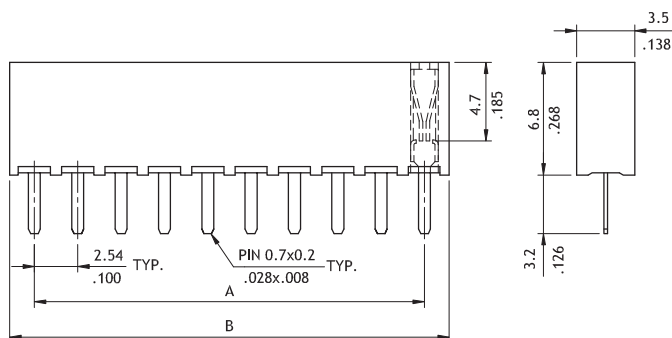
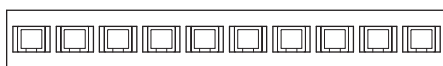
- ① Series No.
- ② No. of Circuits: 02 ~ 40
- ③ Plating Code : 2 = Gold flash over Nickel
- ④ Tail Style: R = Dual Entries

- ⑤ Color: 1 = Black
- ⑥ Other Options: 00 = Standard
*Special options consult manufacturer

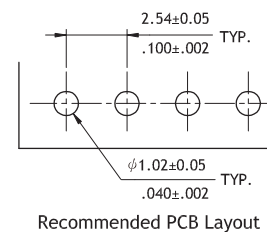
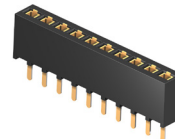
CB37 Series 2.54mm(.100") Single Row Female Headers

⊙ Mates with CH31 and CH34 series

RoHS Compliant



$A = 2.54 * \text{No. of Spaces}$
 $B = A + 2.5$



Ordering Code

①	②	③	④	⑤	⑥
CB37	40	A	V	1	00

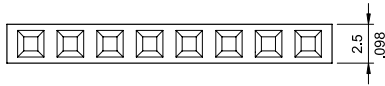
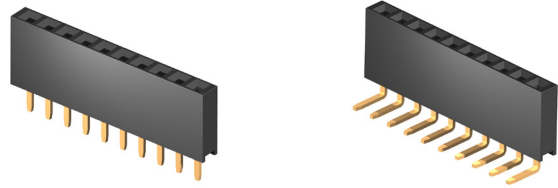
- ① Series No.
- ② No. of Circuits: 02 ~ 40
- ③ Plating Code: A = Selective Gold flash over Nickel
- ④ Tail Style: V = Vertical

- ⑤ Color: 1 = Black
- ⑥ Other Options: 00 = Standard
* Special options consult manufacturer

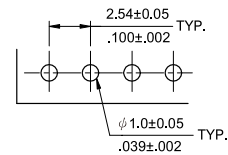
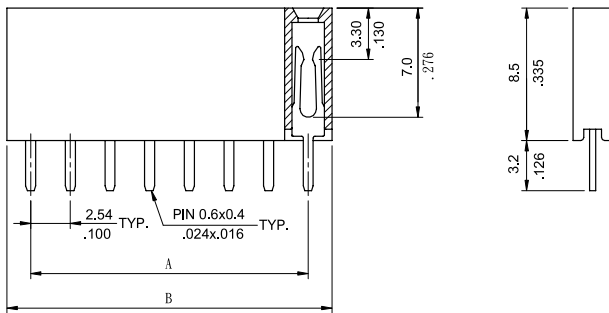
CB39 Series 2.54mm(.100") Single Row Female Headers

© Mates with CH31, CH34 series

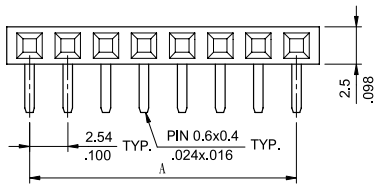
RoHS Compliant



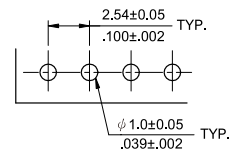
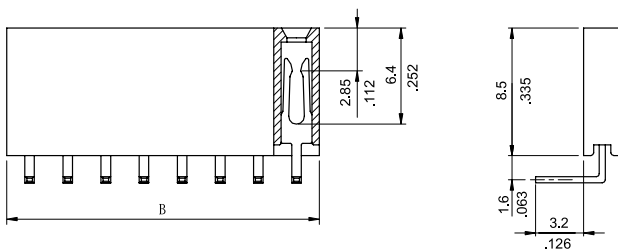
$A = 2.54 * \text{No. of Spaces}$
 $B = A + 3.04$



Recommended P.C. Board Layout



$A = 2.54 * \text{No. of Spaces}$
 $B = A + 3.04$



Recommended P.C. Board Layout

Ordering Code

①	②	③	④	⑤	⑥
CB	39	40	2	V	1
					00

- ① Series No.
- ② No. of Circuits: 02 ~ 40
- ③ Plating Code : 2 = Gold flash over Nickel
- ④ Tail Style: V = Vertical
H = Right Angle

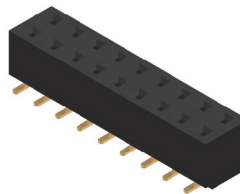
- ⑤ Color: 1 = Black
- ⑥ Other Options:
00 = Standard
*Special options consult manufacturer

CB

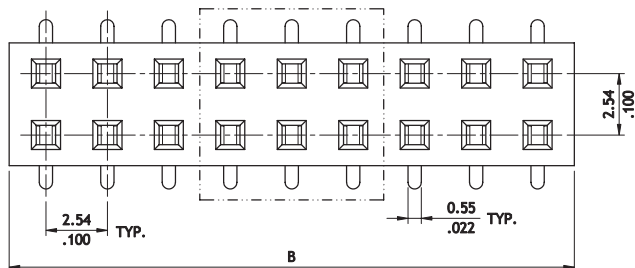
BOARD TO BOARD CONNECTORS

CB41 Series 2.54mm(.100") Dual Row Female Headers

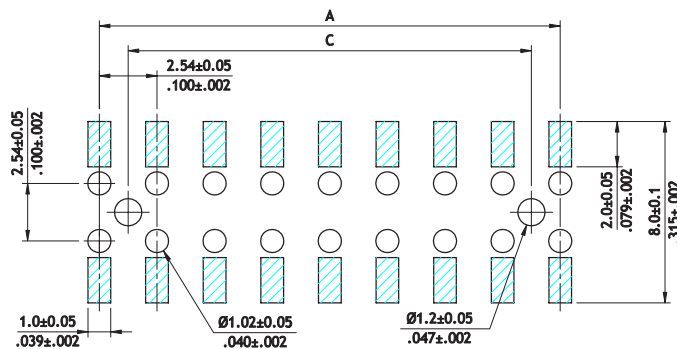
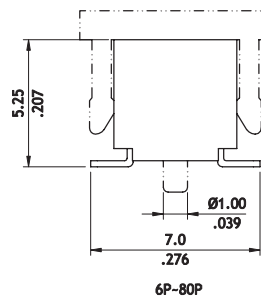
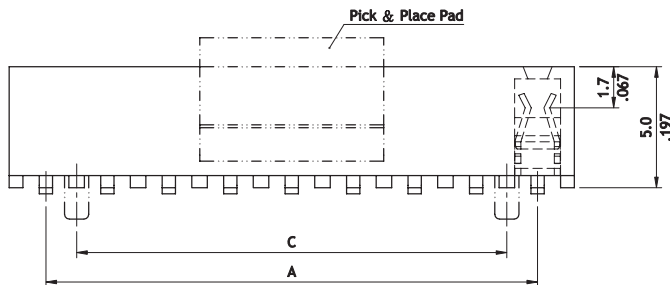
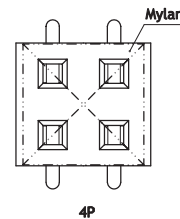
© Mates with CH81, CH84, CH85 and CH88 series



RoHS Compliant



Dim. A = 2.54 X No. of Spaces
 Dim. B = Dim. A + 3.04
 Dim. C = Dim. A - 2.54



Recommended P.C. Board Layout

Ordering Code	①	②	③	④	⑤	⑥
	CB	41	80	2	M	1R0

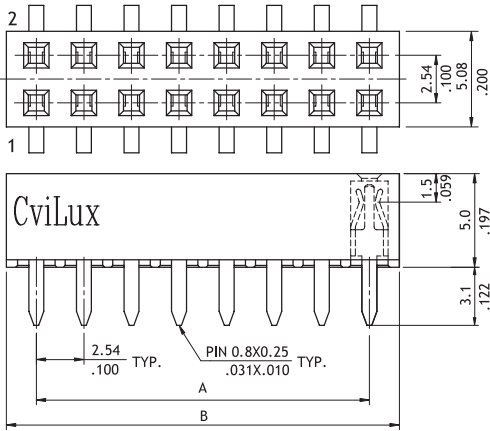
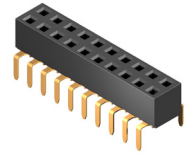
① Series No.
 ② No. of Circuits: 04 ~ 80
 ③ Plating Code : 2 = Gold flash over Nickel
 ④ Tail Style: M = SMT Type
 ⑤ Color: 1 = Black

⑥ Packing Options:
 P0 = With Pad & Without Pegs (Tube Packing)
 PP = With Pad & With Pegs (Tube Packing)
 R0 = With Pad & Without Peg (Reel Packing)
 RP = With Pad & With Pegs (Reel Packing)
 *Special options consult manufacturer

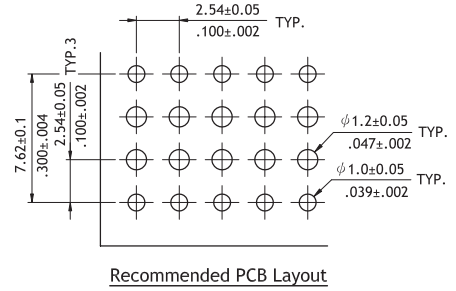
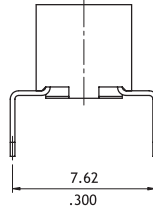
CB83 Series 2.54mm(.100") Dual Row Female Headers

☉ Mates with CH81, CH84 and CH85 series

RoHS Compliant



$A = 2.54 * \text{No. of Spaces}$
 $B = A + 3.2$



CB

Ordering Code

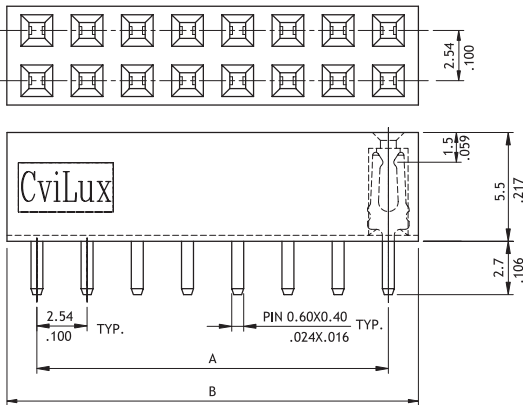
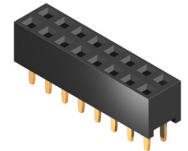
①	②	③	④	⑤	⑥
CB83	40	2	R	1	00

- ① Series No.
- ② No. of Circuits: 04 ~ 40
- ③ Plating Code : 2 = Gold flash over Nickel
- ④ Tail Style: R = Dual Entries
- ⑤ Color: 1 = Black
- ⑥ Other Options:
00 = Standard
*Special options consult manufacturer

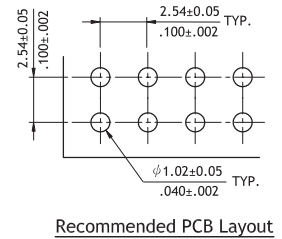
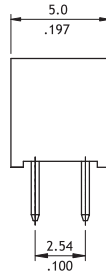
CB85 Series 2.54mm(.100") Dual Row Female Headers

☉ Mates with CH81, CH84 and CH85 series

RoHS Compliant



$A = 2.54 * \text{No. of Spaces}$
 $B = A + 3.0$



BOARD TO BOARD CONNECTORS

Ordering Code

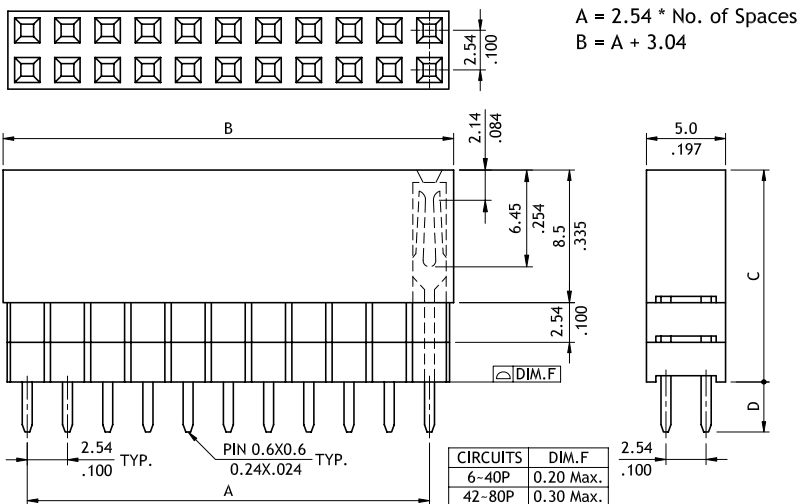
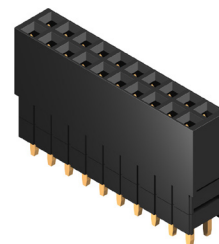
①	②	③	④	⑤	⑥
CB85	40	2	V	1	00

- ① Series No.
- ② No. of Circuits: 04 ~ 40
- ③ Plating Code: 2 = Gold flash over Nickel
- ④ Tail Style: V = Vertical
- ⑤ Color: 1 = Black
- ⑥ Other Options:
00 = Standard
* Special options consult manufacturer

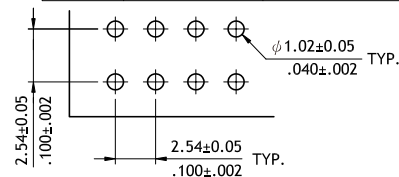
CB96 Series 2.54mm(.100") Dual Row Elevated Female Headers

© Mates with CH81, CH84 and CH85 series

RoHS Compliant



Option Codes	Dimension	
	C	D
00	11.05(.435)	2.3(.091)
1Y	11.05(.435)	7.3(.287)
2Y	13.59(.535)	4.8(.189)
3Y	16.13(.635)	2.3(.091)
1Z	11.05(.435)	12.2(.480)
2Z	13.59(.535)	9.6(.378)
3Z	16.13(.635)	7.1(.280)
4Z	18.67(.735)	4.6(.181)
2W	13.59(.535)	3.4(.134)
2V	13.58(.535)	3.0(.118)



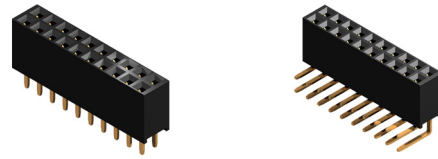
Recommended P.C. Board Layout

Ordering Code	①	②	③	④	⑤	⑥
	CB	96	80	2	V	1 00

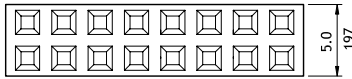
① Series No.
 ② No. of Circuits: 06 ~ 80
 ③ Plating Code: 2 = Gold flash over Nickel
 ④ Tail Style: V = Vertical
 ⑤ Color: 1 = Black
 ⑥ Other Options:
 see option code table
 *Special options consult manufacturer

CB91 Series 2.54mm(.100") Dual Row Female Headers

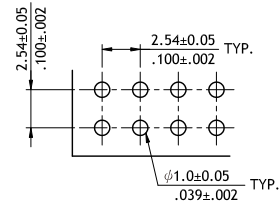
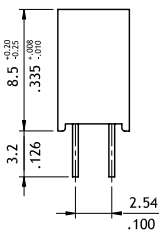
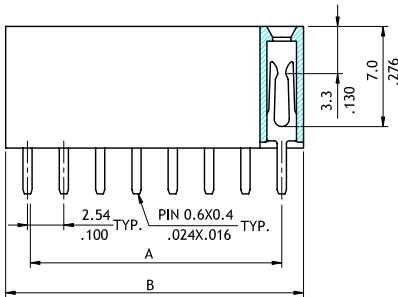
© Mates with CH81, CH84 and CH85 series



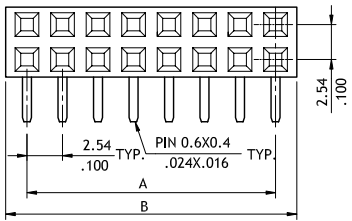
RoHS Compliant



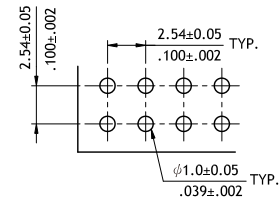
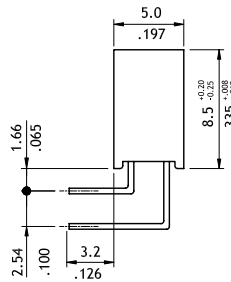
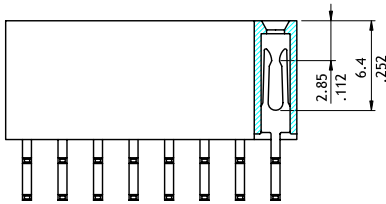
$A = 2.54 * \text{No. of Spaces}$
 $B = A + 3.04$



Recommended P.C. Board Layout



$A = 2.54 * \text{No. of Spaces}$
 $B = A + 3.04$



Recommended P.C. Board Layout

Ordering Code

①	②	③	④	⑤	⑥
CB 9 1	8 0	2	V	1	0 0

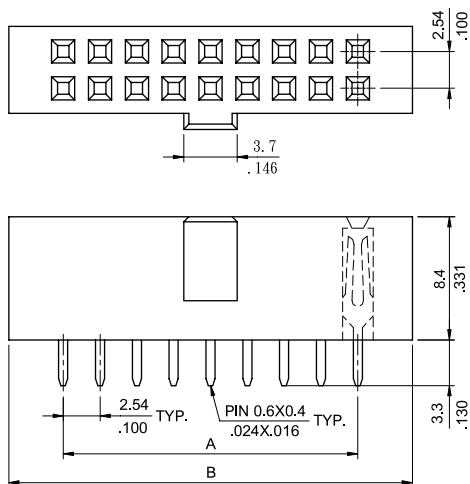
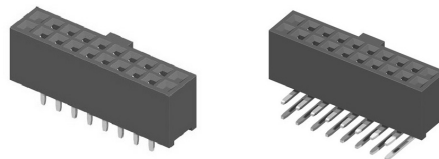
- ① Series No.
- ② No. of Circuits: 04 ~50, 60, 64, 66, 80
- ③ Plating Code : 2 = Gold flash over Nickel
- ④ Tail Style: V = Vertical
H = Right Angle

- ⑤ Color: 1 = Black
- ⑥ Other Options:
00 = Standard
*Special options consult manufacturer

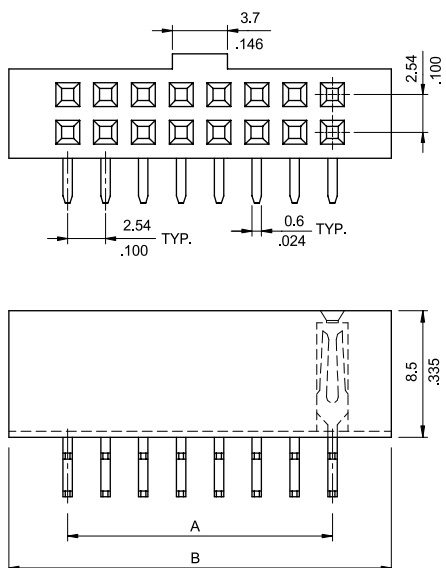
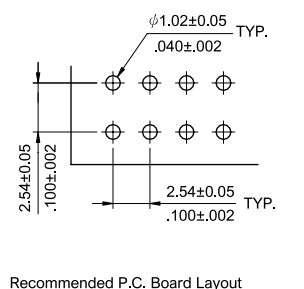
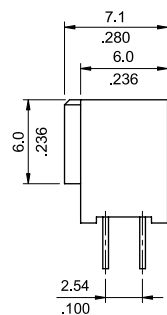
CB94 Series 2.54mm(.100") Dual Row Female Headers

© Mates with CH81, CH84, CH85, CH87 and CH88 series

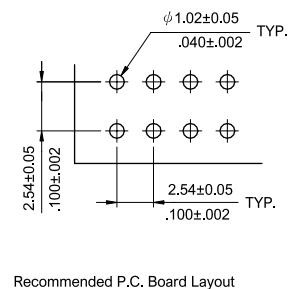
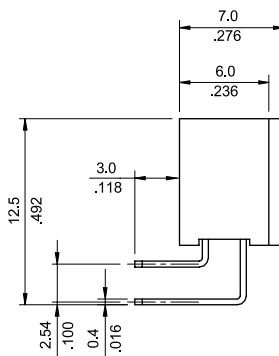
RoHS Compliant



A = 2.54 * No. of Spaces
B = A + 7.34



A = 2.54 * No. of Spaces
B = A + 7.34



Ordering Code	①	②	③	④	⑤	⑥
	CB94	64	2	V	1	00

① Series No.
② No. of Circuits: 06 ~ 64
(Available: 6,8,10,12,14,16,20,24,26,30,34,40,50,60,64)
*Circuits not found above please consult manufacturer

③ Plating Code : 2 = Gold flash over Nickel
④ Tail Style: V = Vertical
H = Right Angle
⑤ Color: 1 = Black
⑥ Other Options: 00 = Standard
*Special options consult manufacturer

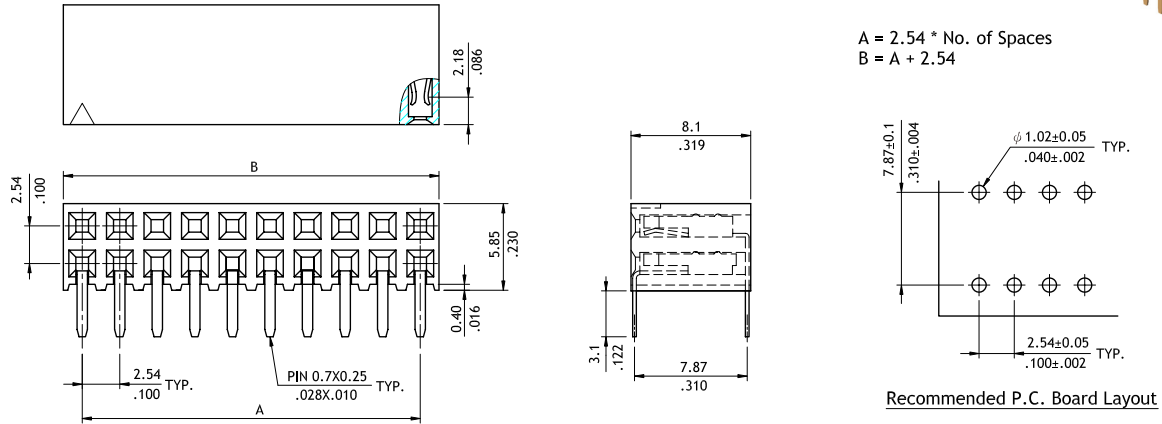
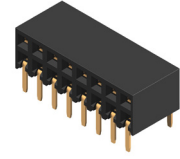
CB

BOARD TO BOARD CONNECTORS

CB97 Series 2.54mm(.100") Dual Row Side Entry Female Headers

⊙ Mates with CH81, CH82, CH83 and CH84 series

RoHS Compliant



Ordering Code

①	②	③	④	⑤	⑥
CB 9 7	4 0	2	H	1	0 0

- ① Series No.
 - ② No. of Circuits: 04 ~ 40
 - ③ Plating Code : 2 = Gold flash over Nickel
 - ④ Tail Style: H = Right Angle
 - ⑤ Color: 1 = Black
 - ⑥ Other Options : 00 = Standard
- *Special options consult manufacturer

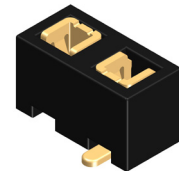
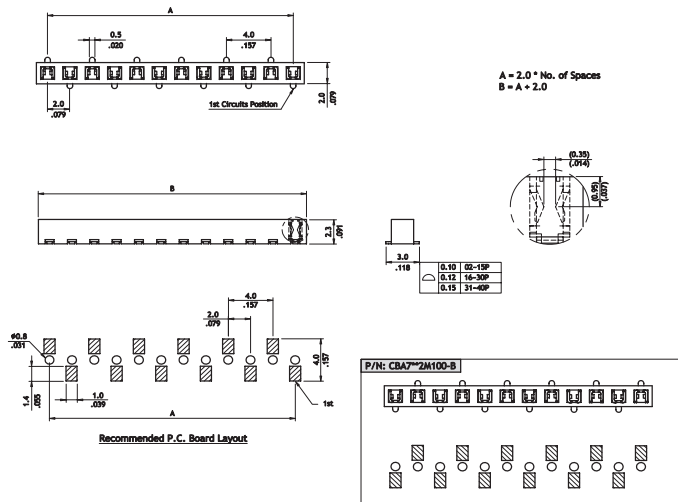
CBA7 Series 2.00mm(.079") Single Row Female Headers

⊙ Mates with CH71, CH72 and CH75 series

P/N: CBA7™2M100-A

RoHS Compliant

NEW

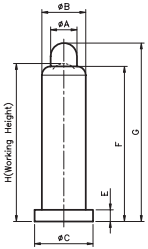
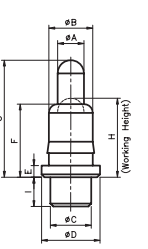
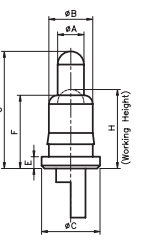
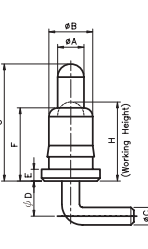
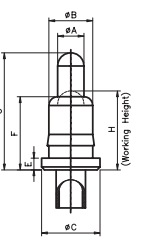
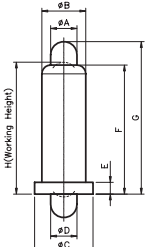
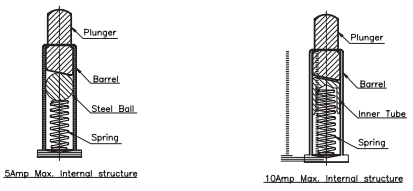


Ordering Code

①	②	③	④	⑤	⑥	⑦	⑧
CBA 7	1 2	2	M	1	R	A	- A

- ① Series No.
- ② No. of Circuits: 2~40
- ③ Plating Code: 2 = Gold flash over Nickel
- ④ Tail Style: M = SMT Type
- ⑤ Color: 1 = Black
- ⑥ Packing Option :
R = Reel Packing , with pick and place PAD
- ⑦ Option : A = With Pegs
- ⑧ Option : A = A Type
B = B Type

CGB1 Series Pogo Pin Connectors

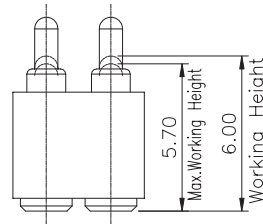
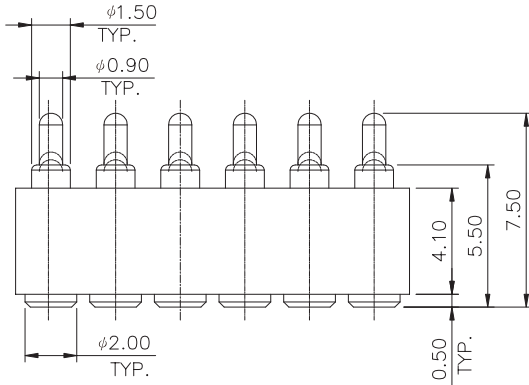
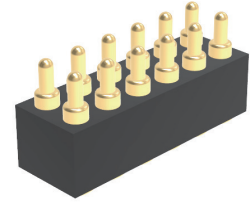
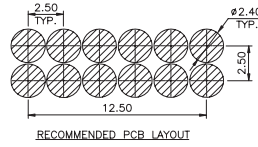
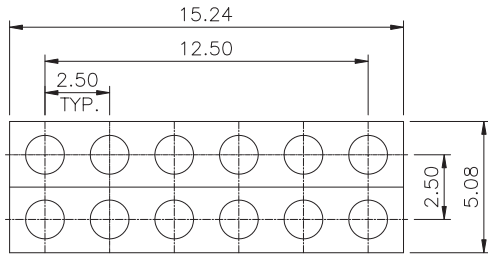
<p>SMT TYPE</p>		<table border="1"> <thead> <tr> <th>ϕA</th> <th>ϕB</th> <th>SERIES NO.</th> </tr> </thead> <tbody> <tr> <td>0.60mm</td> <td>1.00mm</td> <td>CG01 A Series</td> </tr> <tr> <td>0.90/1.00mm</td> <td>1.50mm</td> <td>CG02 A Series</td> </tr> <tr> <td>1.40mm</td> <td>2.00mm</td> <td>CG03 A Series</td> </tr> <tr> <td>1.80mm</td> <td>2.50mm</td> <td>CG04 A Series</td> </tr> <tr> <td>2.00mm</td> <td>2.85mm</td> <td>CG05 A Series</td> </tr> <tr> <td>2.50mm</td> <td>3.10mm</td> <td>CG06 A Series</td> </tr> </tbody> </table>	ϕA	ϕB	SERIES NO.	0.60mm	1.00mm	CG01 A Series	0.90/1.00mm	1.50mm	CG02 A Series	1.40mm	2.00mm	CG03 A Series	1.80mm	2.50mm	CG04 A Series	2.00mm	2.85mm	CG05 A Series	2.50mm	3.10mm	CG06 A Series
ϕA	ϕB	SERIES NO.																					
0.60mm	1.00mm	CG01 A Series																					
0.90/1.00mm	1.50mm	CG02 A Series																					
1.40mm	2.00mm	CG03 A Series																					
1.80mm	2.50mm	CG04 A Series																					
2.00mm	2.85mm	CG05 A Series																					
2.50mm	3.10mm	CG06 A Series																					
<p>DIP TYPE</p>		<table border="1"> <thead> <tr> <th>ϕA</th> <th>ϕB</th> <th>SERIES NO.</th> </tr> </thead> <tbody> <tr> <td>0.60mm</td> <td>1.00mm</td> <td>CG01 B Series</td> </tr> <tr> <td>0.90/1.00mm</td> <td>1.50mm</td> <td>CG02 B Series</td> </tr> <tr> <td>1.40mm</td> <td>2.00mm</td> <td>CG03 B Series</td> </tr> <tr> <td>1.80mm</td> <td>2.50mm</td> <td>CG04 B Series</td> </tr> <tr> <td>2.00mm</td> <td>2.85mm</td> <td>CG05 B Series</td> </tr> <tr> <td>2.50mm</td> <td>3.10mm</td> <td>CG06 B Series</td> </tr> </tbody> </table>	ϕA	ϕB	SERIES NO.	0.60mm	1.00mm	CG01 B Series	0.90/1.00mm	1.50mm	CG02 B Series	1.40mm	2.00mm	CG03 B Series	1.80mm	2.50mm	CG04 B Series	2.00mm	2.85mm	CG05 B Series	2.50mm	3.10mm	CG06 B Series
ϕA	ϕB	SERIES NO.																					
0.60mm	1.00mm	CG01 B Series																					
0.90/1.00mm	1.50mm	CG02 B Series																					
1.40mm	2.00mm	CG03 B Series																					
1.80mm	2.50mm	CG04 B Series																					
2.00mm	2.85mm	CG05 B Series																					
2.50mm	3.10mm	CG06 B Series																					
<p>Right Angle SMT TYPE</p>		<table border="1"> <thead> <tr> <th>ϕA</th> <th>ϕB</th> <th>SERIES NO.</th> </tr> </thead> <tbody> <tr> <td>0.60mm</td> <td>1.00mm</td> <td>CG01 C Series</td> </tr> <tr> <td>0.90/1.00mm</td> <td>1.50mm</td> <td>CG02 C Series</td> </tr> <tr> <td>1.40mm</td> <td>2.00mm</td> <td>CG03 C Series</td> </tr> <tr> <td>1.80mm</td> <td>2.50mm</td> <td>CG04 C Series</td> </tr> <tr> <td>2.00mm</td> <td>2.85mm</td> <td>CG05 C Series</td> </tr> <tr> <td>2.50mm</td> <td>3.10mm</td> <td>CG06 C Series</td> </tr> </tbody> </table>	ϕA	ϕB	SERIES NO.	0.60mm	1.00mm	CG01 C Series	0.90/1.00mm	1.50mm	CG02 C Series	1.40mm	2.00mm	CG03 C Series	1.80mm	2.50mm	CG04 C Series	2.00mm	2.85mm	CG05 C Series	2.50mm	3.10mm	CG06 C Series
ϕA	ϕB	SERIES NO.																					
0.60mm	1.00mm	CG01 C Series																					
0.90/1.00mm	1.50mm	CG02 C Series																					
1.40mm	2.00mm	CG03 C Series																					
1.80mm	2.50mm	CG04 C Series																					
2.00mm	2.85mm	CG05 C Series																					
2.50mm	3.10mm	CG06 C Series																					
<p>Right Angle DIP TYPE</p>		<table border="1"> <thead> <tr> <th>ϕA</th> <th>ϕB</th> <th>SERIES NO.</th> </tr> </thead> <tbody> <tr> <td>0.60mm</td> <td>1.00mm</td> <td>CG01 D Series</td> </tr> <tr> <td>0.90/1.00mm</td> <td>1.50mm</td> <td>CG02 D Series</td> </tr> <tr> <td>1.40mm</td> <td>2.00mm</td> <td>CG03 D Series</td> </tr> <tr> <td>1.80mm</td> <td>2.50mm</td> <td>CG04 D Series</td> </tr> <tr> <td>2.00mm</td> <td>2.85mm</td> <td>CG05 D Series</td> </tr> <tr> <td>2.50mm</td> <td>3.10mm</td> <td>CG06 D Series</td> </tr> </tbody> </table>	ϕA	ϕB	SERIES NO.	0.60mm	1.00mm	CG01 D Series	0.90/1.00mm	1.50mm	CG02 D Series	1.40mm	2.00mm	CG03 D Series	1.80mm	2.50mm	CG04 D Series	2.00mm	2.85mm	CG05 D Series	2.50mm	3.10mm	CG06 D Series
ϕA	ϕB	SERIES NO.																					
0.60mm	1.00mm	CG01 D Series																					
0.90/1.00mm	1.50mm	CG02 D Series																					
1.40mm	2.00mm	CG03 D Series																					
1.80mm	2.50mm	CG04 D Series																					
2.00mm	2.85mm	CG05 D Series																					
2.50mm	3.10mm	CG06 D Series																					
<p>SOLDER TYPE</p>		<table border="1"> <thead> <tr> <th>ϕA</th> <th>ϕB</th> <th>SERIES NO.</th> </tr> </thead> <tbody> <tr> <td>0.60mm</td> <td>1.00mm</td> <td>CG01 E Series</td> </tr> <tr> <td>0.90/1.00mm</td> <td>1.50mm</td> <td>CG02 E Series</td> </tr> <tr> <td>1.40mm</td> <td>2.00mm</td> <td>CG03 E Series</td> </tr> <tr> <td>1.80mm</td> <td>2.50mm</td> <td>CG04 E Series</td> </tr> <tr> <td>2.00mm</td> <td>2.85mm</td> <td>CG05 E Series</td> </tr> <tr> <td>2.50mm</td> <td>3.10mm</td> <td>CG06 E Series</td> </tr> </tbody> </table>	ϕA	ϕB	SERIES NO.	0.60mm	1.00mm	CG01 E Series	0.90/1.00mm	1.50mm	CG02 E Series	1.40mm	2.00mm	CG03 E Series	1.80mm	2.50mm	CG04 E Series	2.00mm	2.85mm	CG05 E Series	2.50mm	3.10mm	CG06 E Series
ϕA	ϕB	SERIES NO.																					
0.60mm	1.00mm	CG01 E Series																					
0.90/1.00mm	1.50mm	CG02 E Series																					
1.40mm	2.00mm	CG03 E Series																					
1.80mm	2.50mm	CG04 E Series																					
2.00mm	2.85mm	CG05 E Series																					
2.50mm	3.10mm	CG06 E Series																					
<p>DOUBLE HEADED TYPE</p>		<table border="1"> <thead> <tr> <th>ϕA</th> <th>ϕB</th> <th>SERIES NO.</th> </tr> </thead> <tbody> <tr> <td>0.60mm</td> <td>1.00mm</td> <td>CG01 F Series</td> </tr> <tr> <td>0.90/1.00mm</td> <td>1.50mm</td> <td>CG02 F Series</td> </tr> <tr> <td>1.40mm</td> <td>2.00mm</td> <td>CG03 F Series</td> </tr> <tr> <td>1.80mm</td> <td>2.50mm</td> <td>CG04 F Series</td> </tr> <tr> <td>2.00mm</td> <td>2.85mm</td> <td>CG05 F Series</td> </tr> <tr> <td>2.50mm</td> <td>3.10mm</td> <td>CG06 F Series</td> </tr> </tbody> </table>	ϕA	ϕB	SERIES NO.	0.60mm	1.00mm	CG01 F Series	0.90/1.00mm	1.50mm	CG02 F Series	1.40mm	2.00mm	CG03 F Series	1.80mm	2.50mm	CG04 F Series	2.00mm	2.85mm	CG05 F Series	2.50mm	3.10mm	CG06 F Series
ϕA	ϕB	SERIES NO.																					
0.60mm	1.00mm	CG01 F Series																					
0.90/1.00mm	1.50mm	CG02 F Series																					
1.40mm	2.00mm	CG03 F Series																					
1.80mm	2.50mm	CG04 F Series																					
2.00mm	2.85mm	CG05 F Series																					
2.50mm	3.10mm	CG06 F Series																					
<p>HIGH POWER TYPE</p>	 <p>5Amp Max. internal structure</p> <p>10Amp Max. internal structure</p>																						

CB

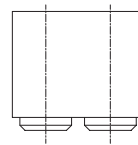
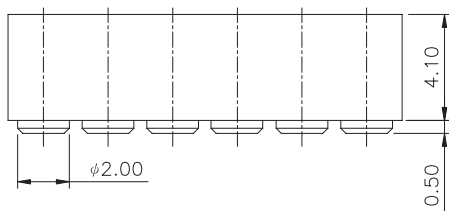
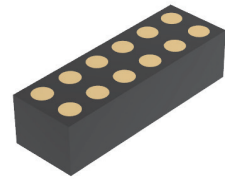
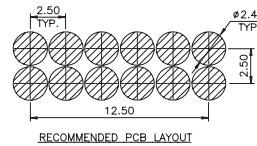
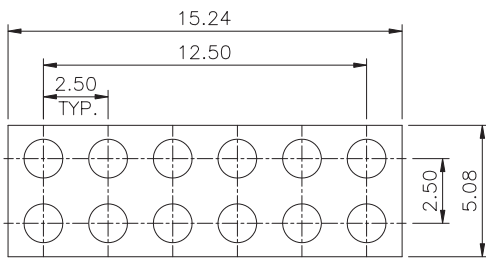
BOARD TO BOARD CONNECTORS

NEW

P/N CGB1**P**M000-LF



P/N CGB1**S**M000-LF



Ordering Code

① C ② GB1 ③ 12 ④ S ⑤ 08 ⑥ M ⑦ 000 - LF

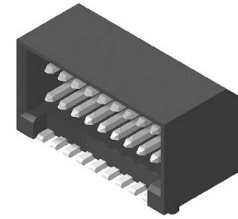
- ① Series No.
- ② No. of Circuits: 12
- ③ S = Receptacle
- ④ Plating Code:
08 = Selective 10μ" Gold flash over Nickel
- ⑤ Tail Style : M = Top SMT Type
- ⑥ Option : 000 = Standard
- ⑦ LF = For Lead Free IR process

① C ② GB1 ③ 12 ④ P ⑤ 8 ⑥ 8 ⑦ M ⑧ 000 - LF

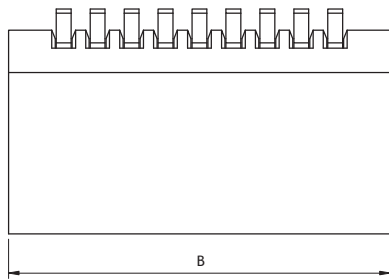
- ① Series No.
- ② No. of Circuits: 12
- ③ P = Plug
- ④ Plunger Plating Code:
8 = Selective 10μ" Gold flash over Nickel
- ⑤ Barrel Plating Code:
8 = Selective 10μ" Gold flash over Nickel
- ⑥ Tail Style : M = Top SMT Type
- ⑦ Options :000= Standard
- ⑧ LF = For Lead Free IR process

CHC3 Series 0.80mm(.031") Dual Row SMT Pin Headers

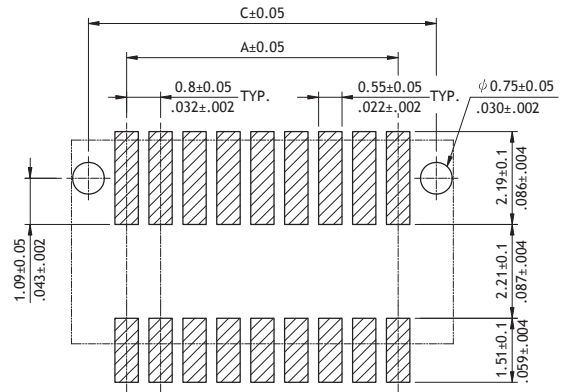
- ⊙ Mate with CBC3 Series
- ⊙ SMT Tail
- ⊙ With mounting Pegs
- ⊙ High temperature plastic, Color Black



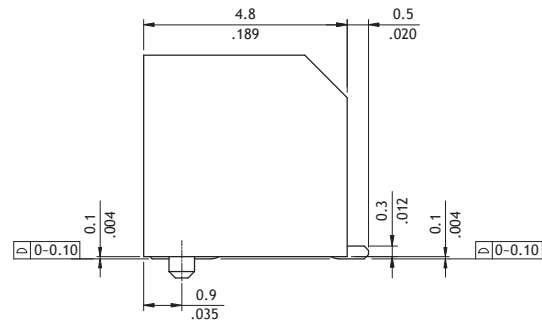
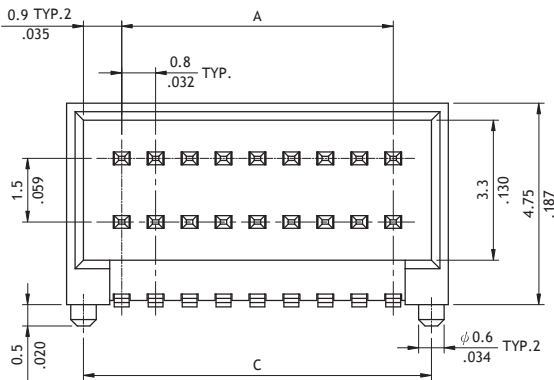
RoHS Compliant



A = 0.8 x No. of Spaces
 B = A + 2.6
 C = A + 1.8



Recommended PCB Layout



Ordering Code

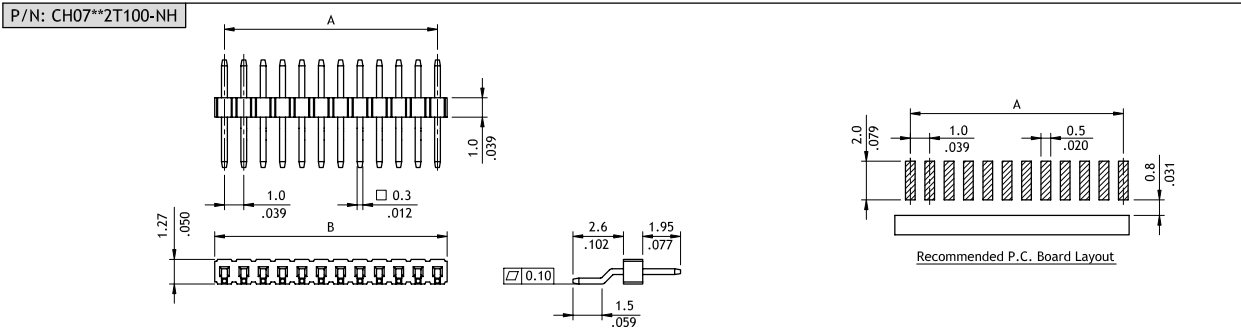
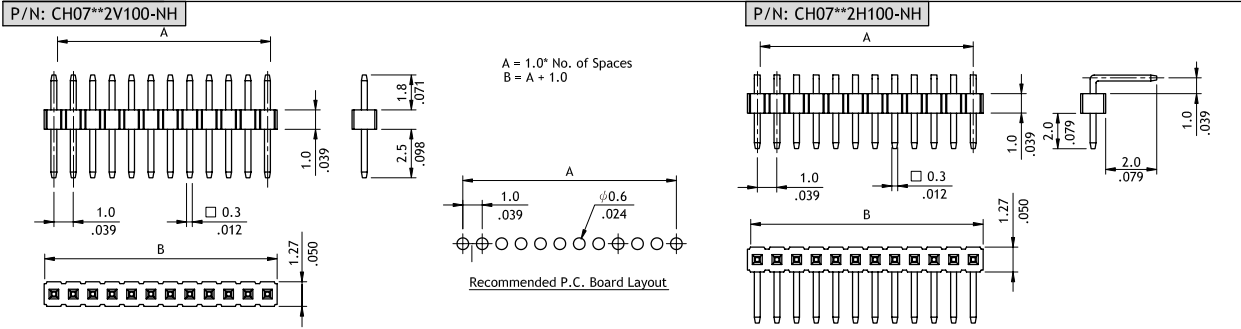
①	②	③	④	⑤	⑥	⑦
CHC3	36	2	M	1	R	0

- ① Series No.
- ② No. of Circuits: 06 ~ 36
- ③ Plating Code:
 1 = Tin over Nickel
 2 = Gold flash over Nickel
- ④ Tail & Mounting Style: M = SMT Type
- ⑤ Color: 1 = Black
- ⑥ Packing:
 R = Tape & Reel
 T = Tube
- ⑦ Other Options: 0 = Standard
 *Special options consult manufacturer

CH07 Series 1.00mm(.039") SMT Row Board Mount Connectors

☉ Mate with CB03 series

RoHS Compliant 



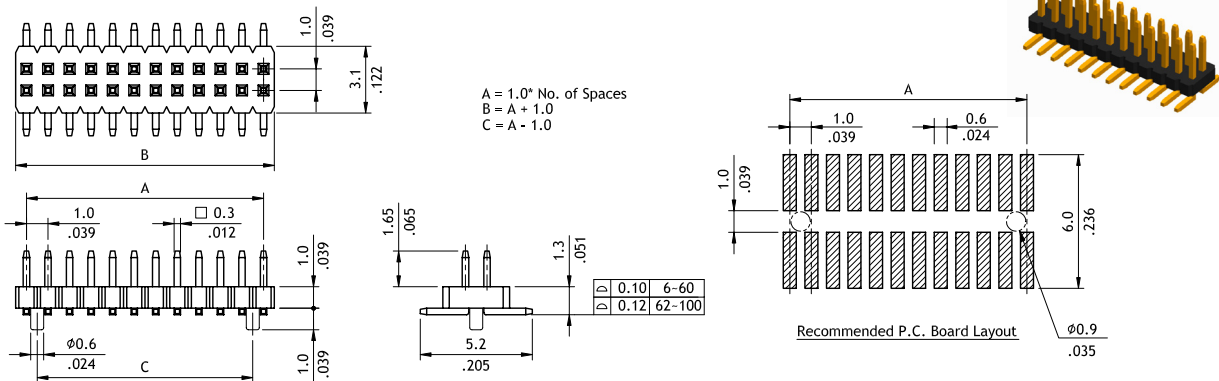
Ordering Code

① ② ③ ④ ⑤ ⑥ ⑦
CH 07 2 6 2 T 1 0 0 - NH

- ① Series No.
- ② No. of Circuits: 2 ~ 40
- ③ Plating Code: 2 = Gold flash over Nickel
- ④ Tail Style: T = Side Entry SMT Type
V = Straight DIP Type
H = Right Angle DIP Type
- ⑤ Color: 1 = Black
- ⑥ Pin Length Options:
- ⑦ NH = For Lead Free IR process and Halogen- Free

CH16 Series 1.00mm(.039") Dual Row Pin Headers

☉ Mate with CB12 series



Ordering Code

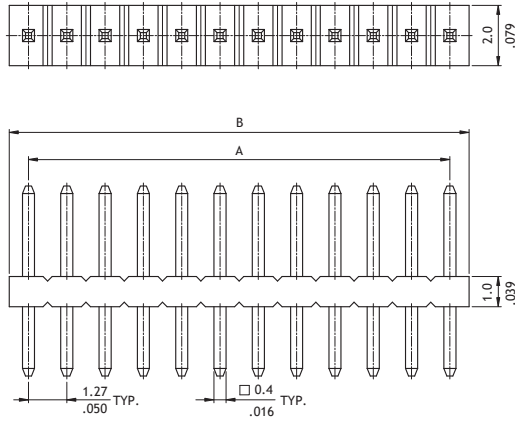
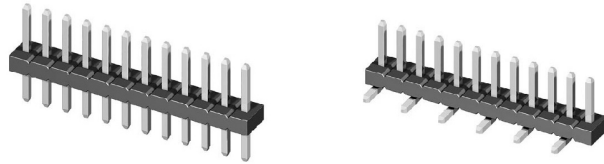
① ② ③ ④ ⑤ ⑥ ⑦ ⑧
CH 16 2 6 2 M 1 0 0 - 0 0

- ① Series No.
- ② No. of Circuits: 6 ~ 100
- ③ Plating Code: 2 = Gold flash over Nickel
- ④ Tail Style: M = SMT Type
- ⑤ Color: 1 = Black
- ⑥ Pin Length Options:
- ⑦ Pin Size: 0 = Without Pegs
P = With Pegs
- ⑧ Packing: 0 = Without Pick & Place Pad (Tube)

CH01 Series 1.27mm(.050") Single Row Pin Headers

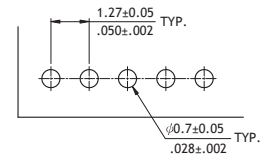
☉ Mate with CB01 series

RoHS Compliant

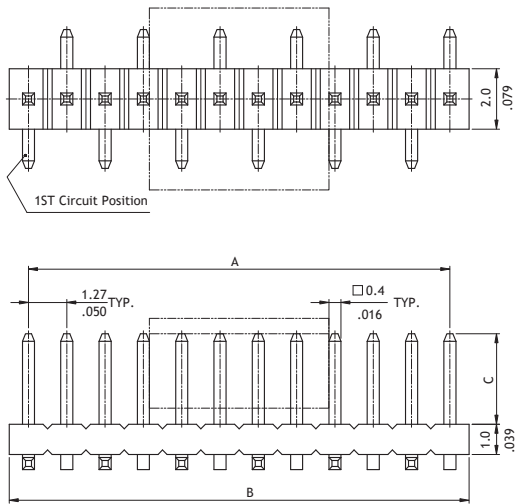


A = 1.27 X No. of Spaces
 B = A + 1.27
 Pin overall length 20.0mm max.

Option Code	Pin Dimension	
	C	D
00	3.0(.118)	2.3(.091)
01	3.0(.118)	1.6(.063)
02	3.5(.138)	1.8(.071)
03	3.8(.150)	1.5(.059)

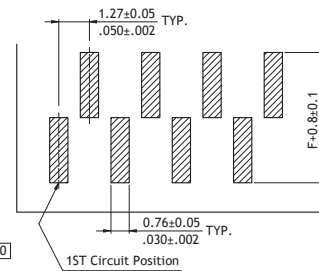


Recommended P.C. Board Layout



A = 1.27 X No. of Spaces
 B = A + 1.27

Option Code	Pin Dimension		
	C	D	F
00	3.0(.118)	1.5(.059)	4.6(.181)



Recommended P.C. Board Layout

Ordering Code

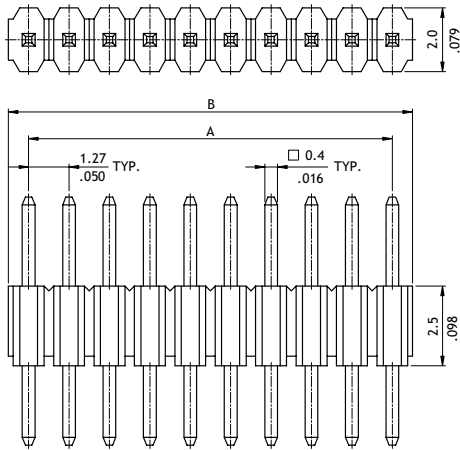
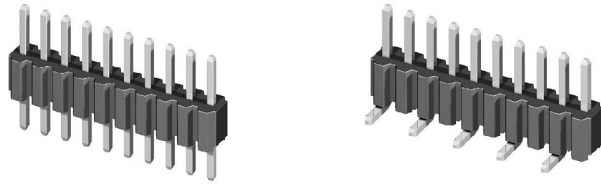
① ② ③ ④ ⑤ ⑥ ⑦ ⑧
CH01 50 2 V 1 00 - 00 - NH

- ① Series No.
- ② No. of Circuits: 04 ~ 50
- ③ Plating Code : 2 = Gold flash over Nickel
- ④ Tail & Mounting Style:
 V = Vertical DIP Type
 M = SMT Type
- ⑤ 1=Color Black
- ⑥ Other Options: 00 = Standard
 *See option code table
 *Consult manufacturer for customized pin length
- ⑦ Packing Options:
 00 = Without Pick & Place Pad (Tube)
 0P = With Pick & Place Pad (Tape & Reel)
 *Code 7 for SMT Type only
- ⑧ NH = For Lead Free soldering process and Halogen- Free

CH02 Series 1.27mm(.050") Single Row Pin Headers

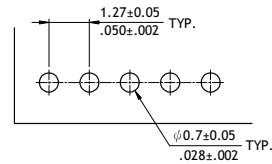
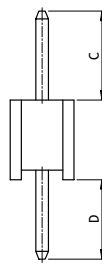
☉ Mate with CB01 series

RoHS Compliant

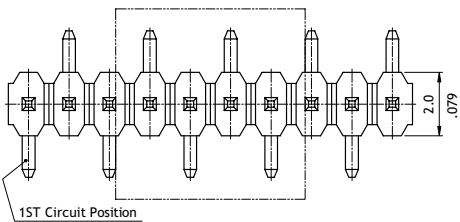


A = 1.27 X No. of Spaces
 B = A + 1.27
 Pin overall length 20.0mm max.

Option Code	Pin Dimension	
	C	D
00	3.0(.118)	2.3(.091)

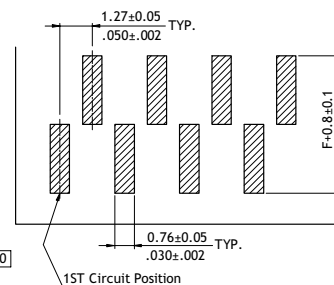
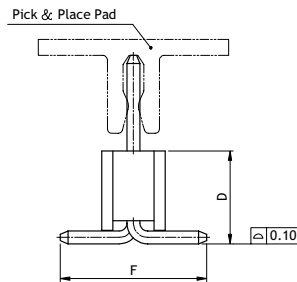
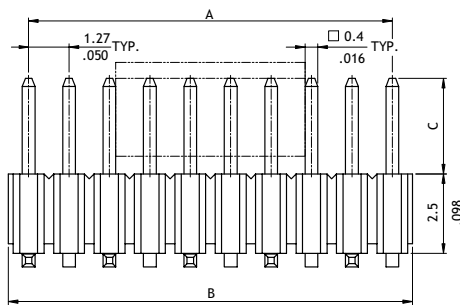


Recommended P.C. Board Layout



A = 1.27 X No. of Spaces
 B = A + 1.27

Option Code	Pin Dimension		
	C	D	F
00	3.0(.118)	2.92(.115)	4.6(.181)
01	8.0(.315)	3.0(.118)	4.6(.181)



Recommended P.C. Board Layout

Ordering Code

① ② ③ ④ ⑤ ⑥ ⑦ ⑧
CH02 50 2 V 1 00 - 00 - NH

- ① Series No.
- ② No. of Circuits: 04 ~ 50
- ③ Plating Code : 2 = Gold flash over Nickel
- ④ Tail & Mounting Style:
 V = Vertical DIP Type
 M = Vertical SMT Type
- ⑤ 1 = Color Black
- ⑥ Other Options: 00 = Standard

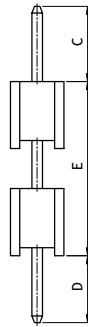
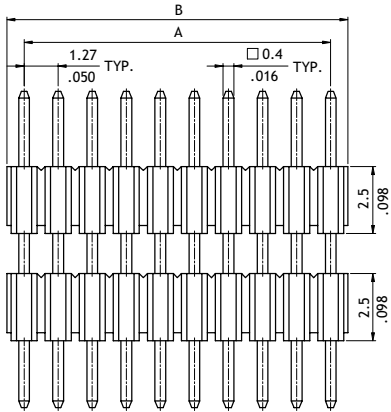
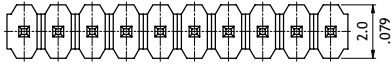
- ⑦ Packing Options:
 00 = Without Pick & Place Pad (Tube)
 0P = With Pick & Place Pad (Tape & Reel)
 *Code 7 for SMT Type only
- ⑧ NH = For Lead Free soldering process and Halogen- Free

CH

PIN HEADER CONNECTORS

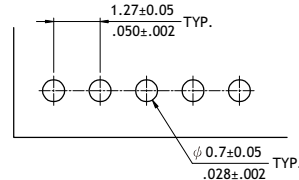
CH03 Series 1.27mm(.050") Single Row Dual Bodies Pin Headers

☉ Mate with CB01 series

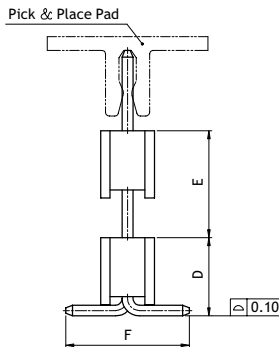
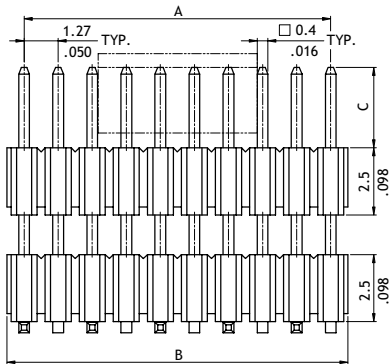
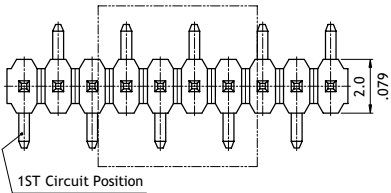


A = 1.27 X No. of Spaces
 B = A + 1.27
 E = 5.0 min.
 Pin overall length 20.0mm max.

Option Code	Pin Dimension		
	C	D	E
00	3.0(.118)	2.3(.091)	5.0(.197)

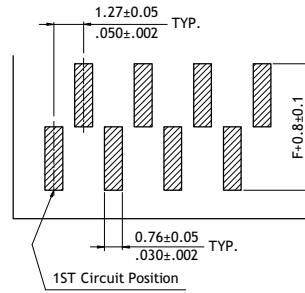


Recommended P.C. Board Layout



A = 1.27 X No. of Spaces
 B = A + 1.27

Option Code	Pin Dimension			
	C	D	E	F
00	3.0(.118)	2.92(.115)	2.5(.098)	5.0(.197)



Recommended P.C. Board Layout

Ordering Code

① CH03 ② 50 ③ 2 ④ V ⑤ 1 ⑥ 00 - ⑦ 00 - ⑧ NH

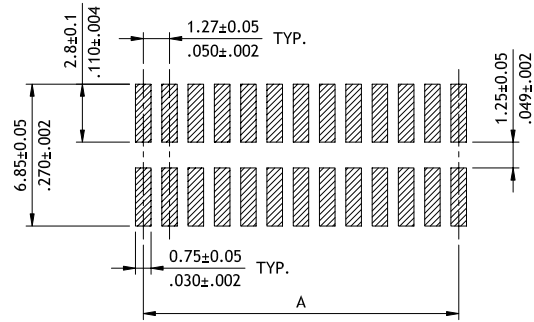
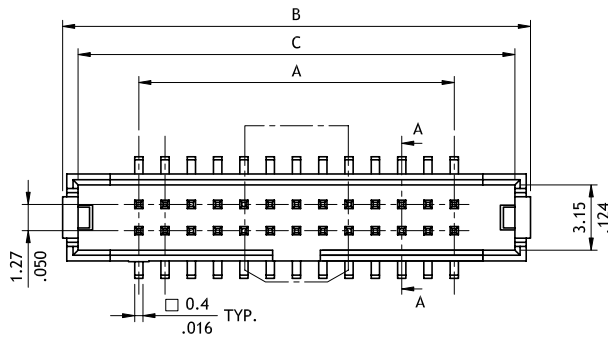
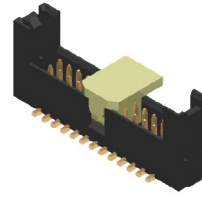
- ① Series No.
- ② No. of Circuits: 04 ~ 50
- ③ Plating Code : 2 = Gold flash over Nickel
- ④ Tail & Mounting Style:
 V = Vertical DIP Type
 M = Vertical SMT Type
- ⑤ 1 = Nylon 6T, Color Black

- ⑥ Other Options:
 00 = Standard
 *See option code table
 *Consult manufacturer for customized pin length
- ⑦ Packing Options:
 00 = Without Pick & Place Pad (Tube)
 0P = With Pick & Place Pad (Tape & Reel)
 *Code 7 for SMT Type only
- ⑧ NH = For Lead Free soldering process and Halogen- Free

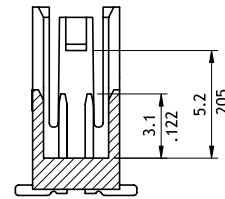
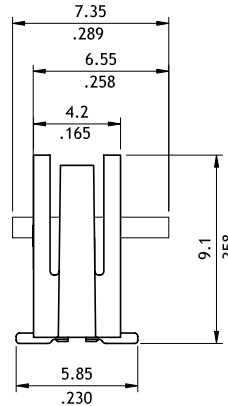
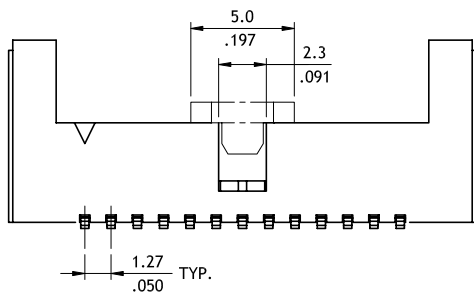
CH06 Series 1.27mm(.049") Straight SMT Dual Row Shrouded Headers

- ⊙ Mate with CA02 series
- ⊙ Box type with positive locking latch
- ⊙ With polarizing slot

RoHS Compliant  



Recommended P.C. Board Layout



SEC. A-A

Circuits	Dimension		
	A	B	C
6	2.54(.100)	9.91(.390)	8.40(.331)
10	5.08(.200)	12.45(.490)	10.94(.431)
14	7.62(.300)	14.99(.590)	13.48(.531)
26	15.24(.600)	22.61(.890)	21.10(.831)

Ordering Code

① CH06 ② 26 ③ 2 ④ M ⑤ A ⑥ L0 - ⑦ NH

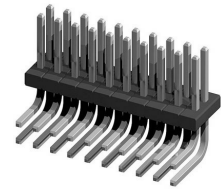
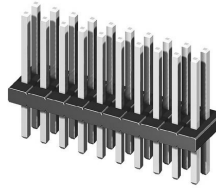
- ① Series No.
- ② No. of Circuits: 6,10,14,26
- ③ Plating Code : 2 = Gold flash over Nickel

- ④ Tail Style: M = SMT Type
- ⑤ Color: A = Black
- ⑥ Other Options: L0 = Latch Type
- ⑦ NH = For Lead Free IR process and Halogen- Free

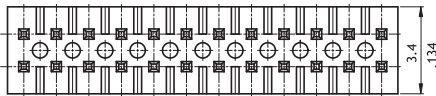
CH51 Series 1.27mm(.050") Dual Row Pin Headers

☉ Mate with CB50 and CBC1 series

RoHS Compliant

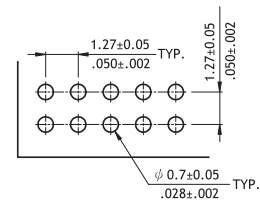
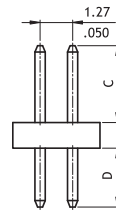
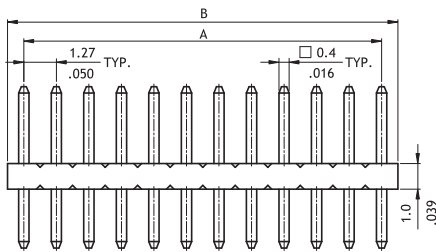


P/N CH51**2V100-NH



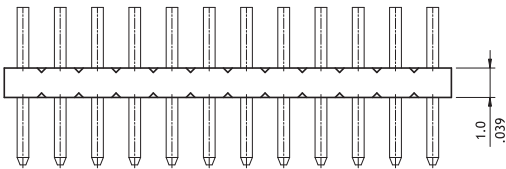
A = 1.27 X No. of Spaces
 B = A + 1.27
 Pin overall length 20.0mm max.

Option Code	Pin Dimension	
	C	D
00	3.0(.118)	2.3(.091)



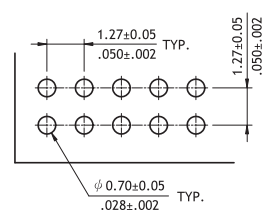
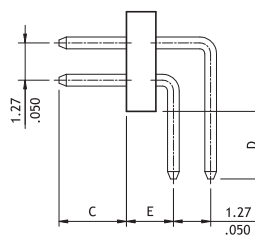
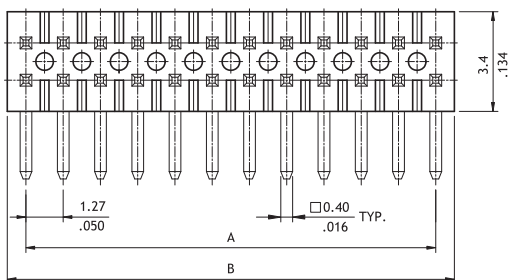
Recommended PCB Layout

P/N CH51**2H100-NH



A = 1.27 X No. of Spaces
 B = A + 1.27

Option Code	Pin Dimension		
	C	D	E
00	2.0(.079)	2.3(.091)	1.6(.063)



Recommended PCB Layout

Ordering Code

① CH 51 ② X1 ③ 2 ④ V ⑤ 1 ⑥ 00-NH ⑦

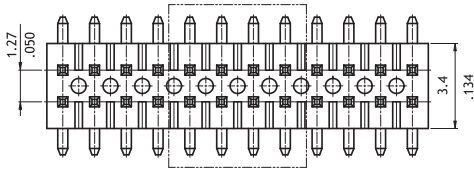
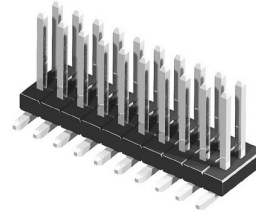
- ① Series No.
- ② No. of Circuits: 06 ~100 (X1 = 100)
- ③ Plating Code : 2 = Gold flash over Nickel
- ④ Tail & Mounting Style:
 V = Vertical DIP Type
 H = Right Angle DIP Type

- ⑤ 1 = Color Black
- ⑥ Other Options:
 00 = Standard
 *See option code table
 *Consult manufacturer for customized pin length
- ⑦ NH = For Lead Free soldering process and Halogen- Free

CH51 Series 1.27mm(.050") Dual Row SMT Pin Headers

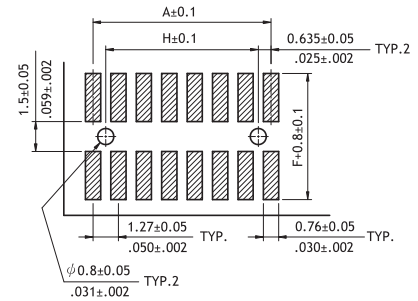
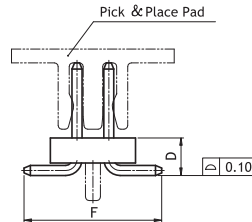
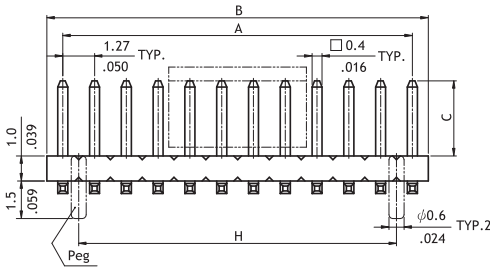
☉ Mate with CB50 and CBC1 series

RoHS Compliant  



A = 1.27 X No. of Spaces
 B = A + 1.27
 H = A - 1.27

Option Code	Pin Dimension		
	C	D	F
00	3.0(.118)	1.5(.059)	5.5(.217)



Recommended PCB Layout

Ordering Code

① ② ③ ④ ⑤ ⑥ ⑦ ⑧ ⑨
CH51 X1 2 M 1 00 - 0 0 - NH

- ① Series No.
- ② No. of Circuits: 06 ~ 100 (X1 = 100)
- ③ Plating Code: 2 = Gold flash over Nickel
- ④ Tail & Mounting Style: M = Vertical SMT Type
- ⑤ 1 = Color Black
- ⑥ Other Options: 00 = Standard
 *See option code table

- ⑦ Pegs Options:
 P = With Pegs
 0 = Without Peg
- ⑧ Packing Options:
 0 = Without Pick & Place Pad (Tube)
 P = With Pick & Place Pad (Tape & Reel)
- ⑨ NH = For Lead Free IR process and Halogen- Free

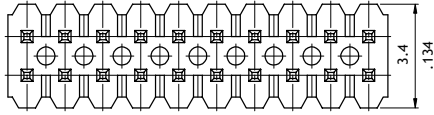
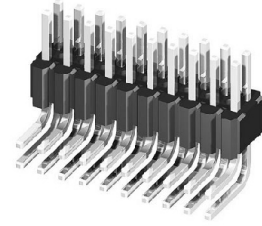
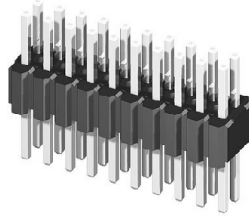
CH

PIN HEADER CONNECTORS

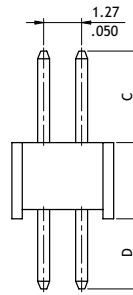
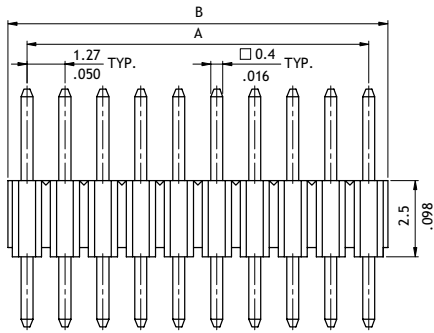
CH52 Series 1.27mm(.050") Dual Row Pin Headers

☉ Mate with CB50 and CBC1 series

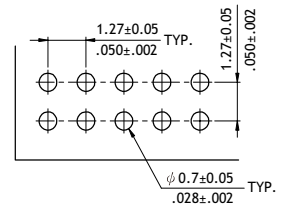
RoHS Compliant



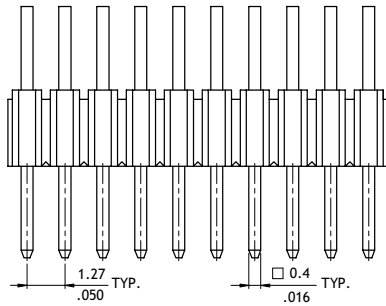
Option Code	Pin Dimension	
	C	D
00	3.0(.118)	2.3(.091)



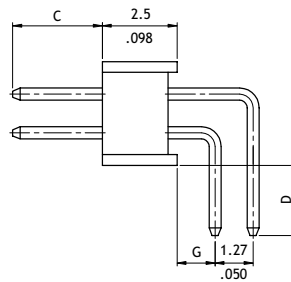
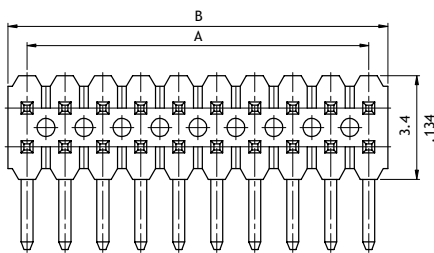
A = 1.27 X No. of Spaces
 B = A + 1.27
 Pin overall length 20.0mm max.



Recommended P.C. Board Layout



Option Code	Pin Dimension		
	C	D	G
00	3.0(.118)	2.3(.091)	1.27(.050)



Ordering Code

① CH52 ② 60 ③ 2 ④ V ⑤ A ⑥ 00 - NH ⑦

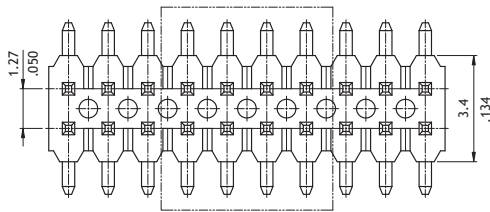
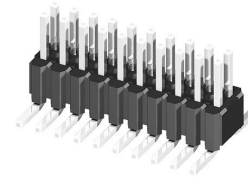
- ① Series No.
- ② No. of Circuits: 06 ~ 60
- ③ Plating Code : 2 = Gold flash over Nickel
- ④ Tail & Mounting Style:
 V = Vertical DIP Type
 H = Right Angle DIP Type

- ⑤ Insulator Material & Color:
 A = Color Black
- ⑥ Other Options: 00 = Standard
 *See option code table
 *Consult manufacturer for customized pin length
- ⑦ NH = For Lead Free IR process and Halogen- Free

CH52 Series 1.27mm(.050") Dual Row SMT Pin Headers

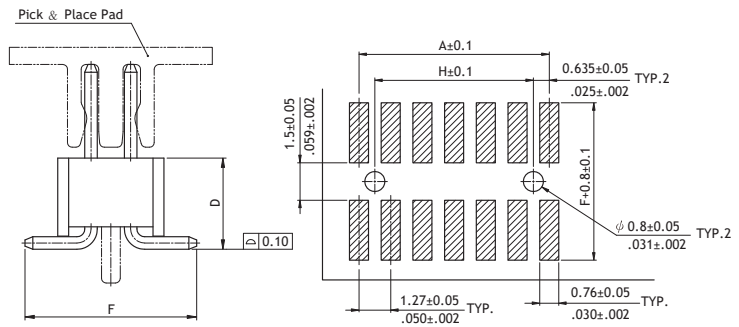
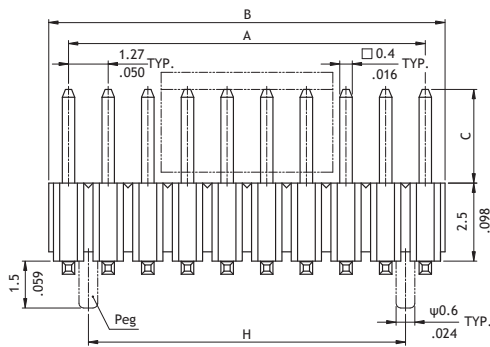
☉ Mate with CB50 and CBC1 series

RoHS Compliant



A = 1.27 X No. of Spaces
 B = A + 1.27
 H = A - 1.27

Option Code	Pin Dimension		
	C	D	F
00	3.0(.118)	2.92(.115)	5.5(.217)



Recommended P.C. Board Layout

Ordering Code

① ② ③ ④ ⑤ ⑥ ⑦ ⑧ ⑨
CH 52 60 2 M 1 00 - 0 0 - NH

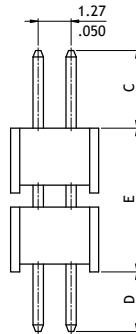
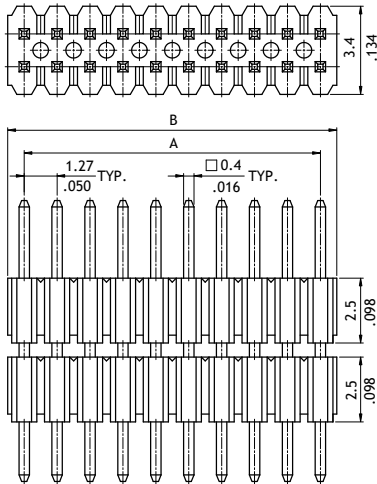
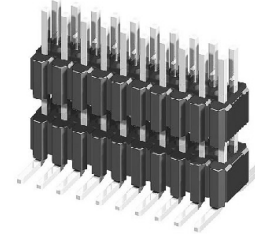
- ① Series No.
- ② No. of Circuits: 06 ~ 60
- ③ Plating Code: 2 = Gold flash over Nickel
- ④ Tail & Mounting Style: M = SMT Type
- ⑤ 1 = Color Black
- ⑥ Other Options: 00 = Standard
 *See option code table
 *Consult manufacturer for customized pin length

- ⑦ Pegs Options:
 0 = Without Peg
 P = With Pegs
- ⑧ Packing Options:
 0 = Without Pick & Place Pad (Tube)
 P = With Pick & Place Pad (Tape & Reel)
- ⑨ NH = For Lead Free IR process and Halogen- Free

CH57 Series 1.27mm(.050") Dual Row Dual Bodies Pin Headers

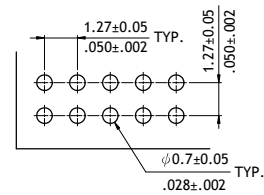
☉ Mate with CB50 and CBC1 series

RoHS Compliant

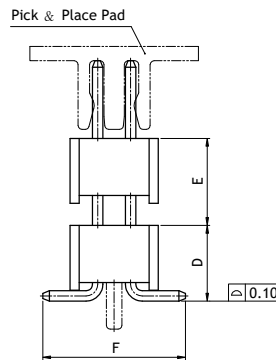
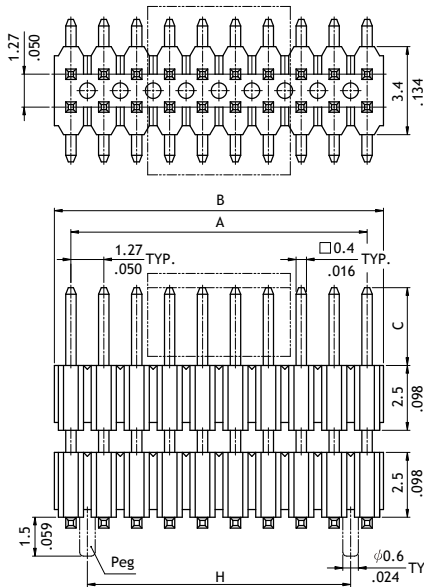


A = 1.27 X No. of Spaces
 B = A + 1.27
 Pin overall length 20.0mm max.

Option Code	Pin Dimension		
	C	D	E
00	3.0(.118)	2.3(.091)	5.0(.197)

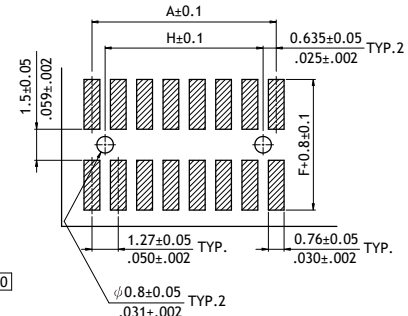


Recommended P.C. Board Layout



A = 1.27 X No. of Spaces
 B = A + 1.27
 H = A - 1.27

Option Code	Pin Dimension			
	C	D	E	F
00	3.0(.118)	2.92(.115)	2.5(.098)	5.5(.217)



Recommended P.C. Board Layout

Ordering Code

① ② ③ ④ ⑤ ⑥ ⑦ ⑧ ⑨
CH57 60 2 M 1 00 - 0 0 - NH

- ① Series No.
- ② No. of Circuits: 06 ~60
- ③ Plating Code:
2 = Gold flash over Nickel
- ④ Tail & Mounting Style:
V = Vertical DIP Type
M = Vertical SMT Type

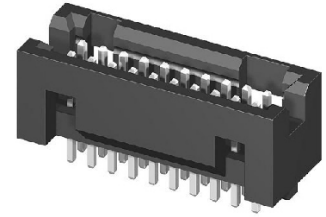
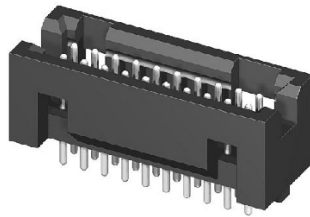
- ⑤ 1 = Color Black
- ⑥ Other Options:
00 = Standard
*See option code table

- ⑦ Insulator Material & Color:
0 = Without Peg
P = With Pegs
- ⑧ Packing Options:
0 = Without Pick & Place Pad (Tube)
P = With Pick & Place Pad (Tape & Reel)
*Code 7 and 8 for SMT Type only
- ⑨ NH = For Lead Free IR process and Halogen- Free

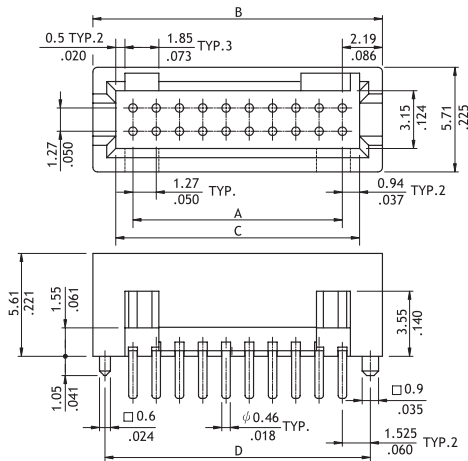
CHC2 Series 1.27mm(.050") Dual Row Pin Headers

☉ Mate with CBC1 series

RoHS Compliant

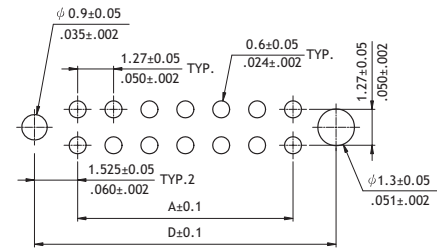
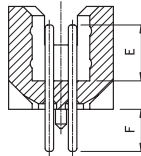


P/N CHC2***V1**-1



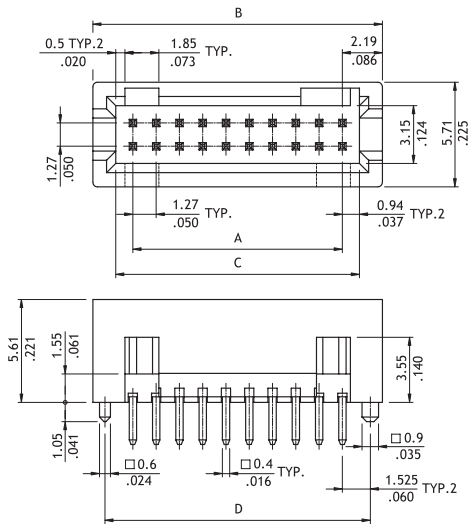
A = 1.27 X No. of Spaces
 B = A + 4.38
 C = A + 1.88
 D = A + 3.05

Option Code	Pin Dimension	
	E	F
00	3.05(.121)	2.3(.091)



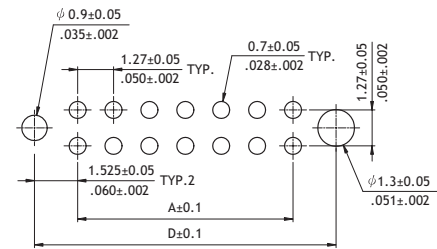
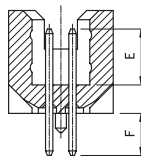
Recommended PCB Layout

P/N CHC2***V1**-2



A = 1.27 X No. of Spaces
 B = A + 4.38
 C = A + 1.88
 D = A + 3.05

Option Code	Pin Dimension	
	E	F
00	3.05 (.121)	2.3(.091)



Recommended PCB Layout

Ordering Code

① ② ③ ④ ⑤ ⑥ ⑦
CHC2 60 2 V 1 00 - 1

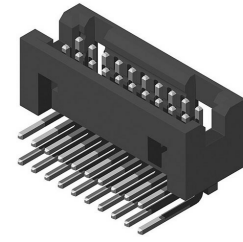
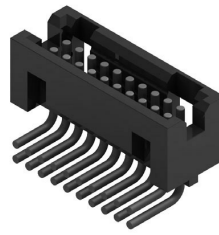
- ① Series No.
- ② No. of Circuits: 10 ~ 60
- ③ Plating Code: 2 = Gold flash over Nickel
- ④ Tail & Mounting Style:
V = Vertical DIP Type
- ⑤ 1 = Color Black

- ⑥ Other Options:
00 = Standard
*See option code table
*Consult manufacturer for customized pin length
- ⑦ Pin Size:
1 = 0.46mm Round Pin
2 = 0.4mm Square Pin

CHC2 Series 1.27mm(.050") Dual Row Pin Headers

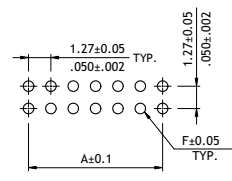
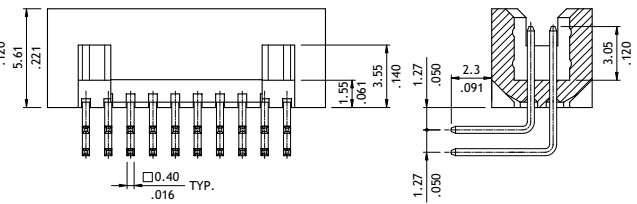
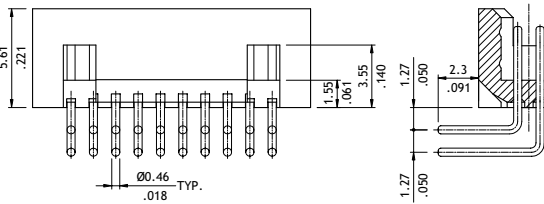
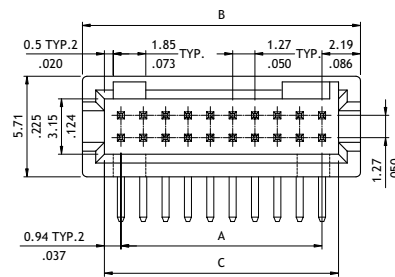
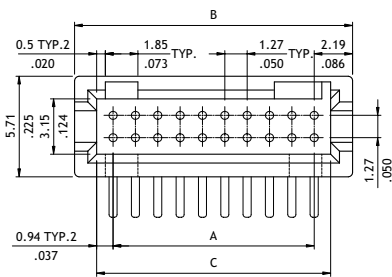
☉ Mate with CBC1 series

RoHS Compliant



P/N: CHC2***H100-1*

P/N: CHC2***H100-2*



A = 1.27 X No. of Spaces
 B = A + 4.38
 C = A + 1.88
 F = □0.70mm (Square Pin)
 Ø0.60mm (Round Pin)

Recommended P.C. Board Layout

Ordering Code	①	②	③	④	⑤	⑥	⑦
	CHC2	60	2	H	1	00	- 10

① Series No.
 ② No. of Circuits: 10~60
 ③ Plating Code: 2 = Gold flash over Nickel
 ④ Tail & Mounting Style:
 H = Right Angle DIP Type
 ⑤ 1 = Color Black
 ⑥ Other Options: 00 = Standard
 *See option code table
 *Consult manufacturer for customized pin length
 ⑦ Pin Size:
 10 = 0.46mm Round Pin
 20 = 0.4mm Square Pin

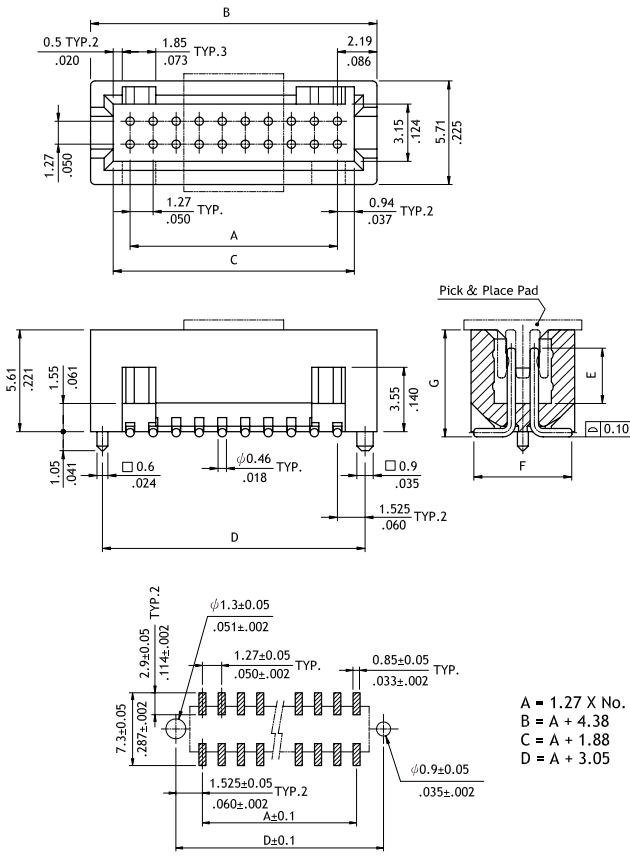
CHC2 Series 1.27mm(.050") Dual Row SMT Pin Headers

☉ Mate with CBC1 series



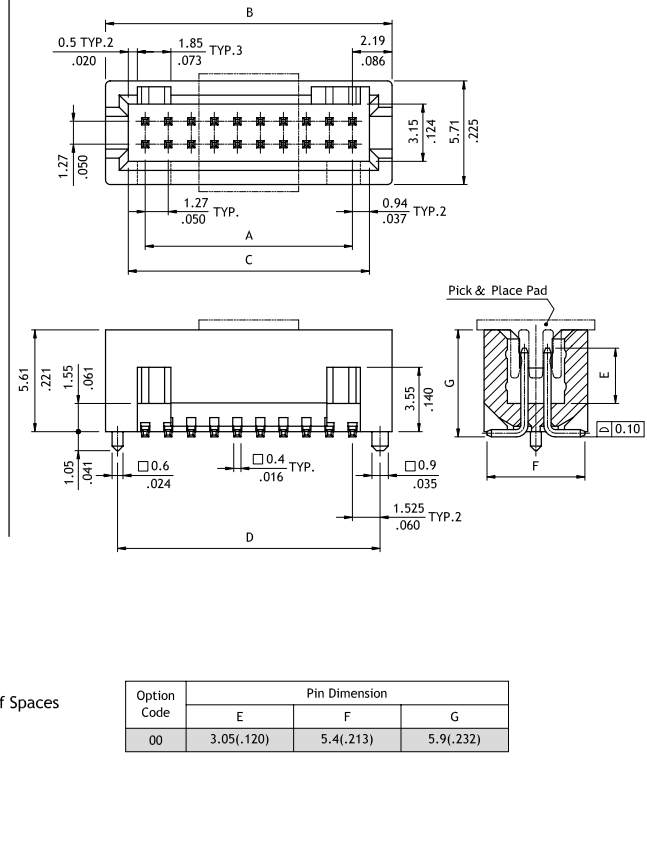
RoHS Compliant

P/N: CHC2***M1**-1*



Recommended P.C. Board Layout

P/N: CHC2***M1**-2*



A = 1.27 X No. of Spaces
 B = A + 4.38
 C = A + 1.88
 D = A + 3.05

Option Code	Pin Dimension		
	E	F	G
00	3.05(.120)	5.4(.213)	5.9(.232)

Ordering Code

① ② ③ ④ ⑤ ⑥ ⑦ ⑧ ⑨
CHC2 X1 2 M 1 00 - 2 0 - NH

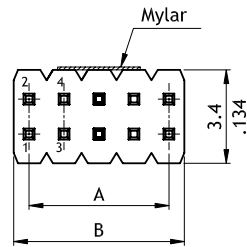
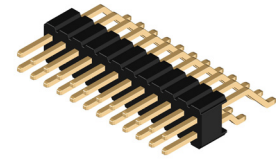
- ① Series No.
- ② No. of Circuits: 10 ~ 60
- ③ Plating Code: 2 = Gold flash over Nickel
- ④ Tail & Mounting Style: M = Vertical SMT Type
- ⑤ 1 = Color Black
- ⑥ Other Options: 00 = Standard
 *See option code table

- ⑦ Pin Size:
 1= 0.46mm Round Pin
 2= 0.4mm Square Pin
- ⑧ Packing Options:
 0 = Without Pick & Place Pad (Tube)
 P = With Pick & Place Pad (Tape & Reel)
- ⑨ NH = For Lead Free IR process and Halogen- Free

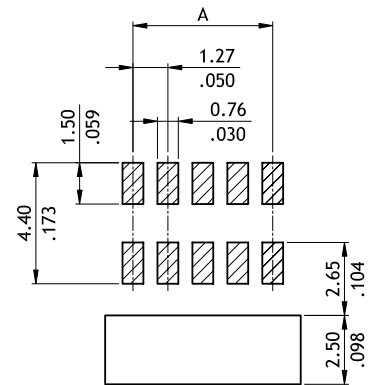
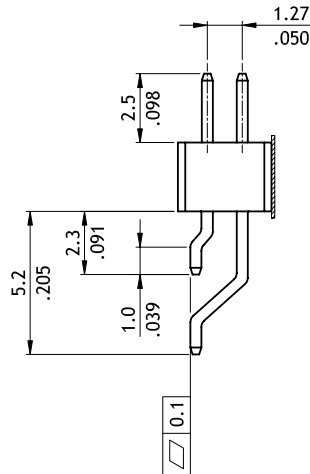
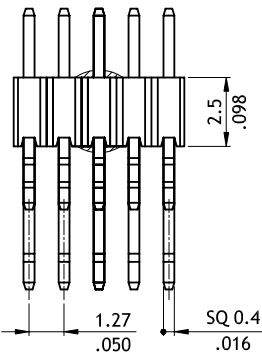
CH60 Series 1.27mm(.050") Right Angle Dual Row Board Mount Pin Header

☉ Mate with CBC1 series

RoHS Compliant



DIM. A = 1.27 X No. of Spaces
 DIM. B = DIM. A + 1.12



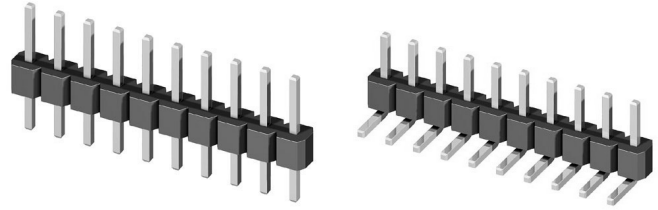
Recommended P.C. Board Layout

Ordering Code	①	②	③	④	⑤	⑥	⑦	⑧
	CH60	24	2	S	B	04	-R0-	NH

① Series No.
 ② No. of Circuits: 4 ~24
 ③ Plating Code: 2 = Gold flash over Nickel
 ④ S = Right angle SMT Type
 ⑤ Insulator : B = LCP
 ⑥ Pin Length Option code :
 ⑦ T0 = Tape & Reel Packing
 ⑧ NH = For Lead Free IR process and Halogen- Free

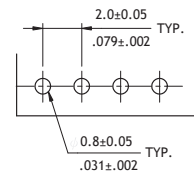
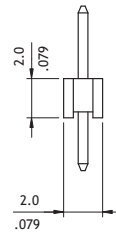
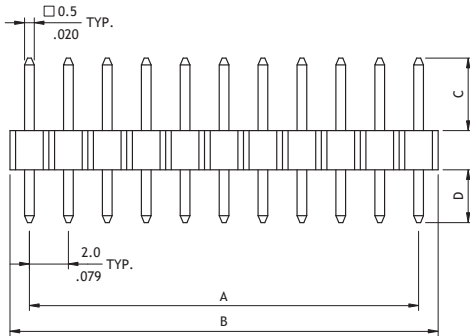
CH11 Series 2.00mm(.079") Single Row Pin Headers

☉ Mate with CB22 series

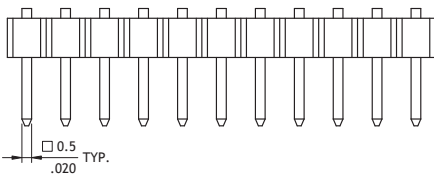


A = 2.0 x No. of Spaces
 B = A + 2.0
 Pin overall length 30.0mm max.

Option Code	Pin Dimension	
	C	D
00	3.9(.154)	2.8(.110)
01	6.8(.268)	3.0(.118)
02	9.0(.354)	2.0(.079)
03	8.0(.315)	3.0(.118)

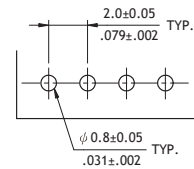
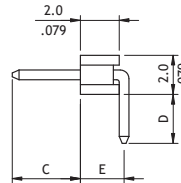
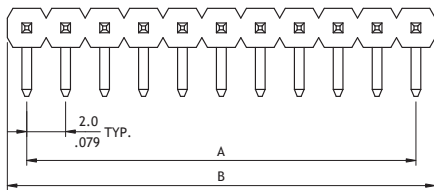


Recommended P.C. Board Layout



A = 2.0 x No. of Spaces
 B = A + 2.0

Option Code	Pin Dimension		
	C	D	E
00	3.5(.138)	2.5(.098)	2.25(.089)



Recommended P.C. Board Layout

Ordering Code

① ② ③ ④ ⑤ ⑥ ⑦
CH11 40 2 V A 00 - NH

① Series No.

② No. of Circuits: 02 ~ 40

③ Plating Code: 2 = Gold flash over Nickel

④ Tail & Mounting Style: V = Straight DIP Type
 H = Right Angle DIP Type

⑤ Insulator Material & Color: A = Color Black

⑥ Other Options: 00 = Standard

*See option code table

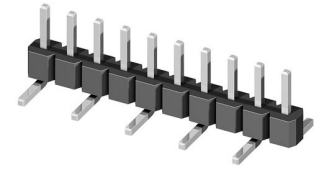
*Consult manufacturer for customized pin length

⑦ NH = For Lead Free soldering process and Halogen- Free

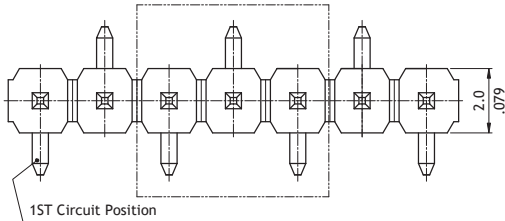
CH11 Series 2.00mm(.079") Single Row SMT Pin Headers

☉ Mate with CB22 series

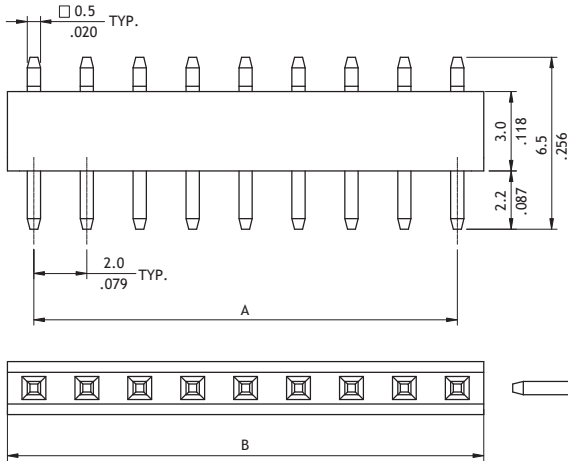
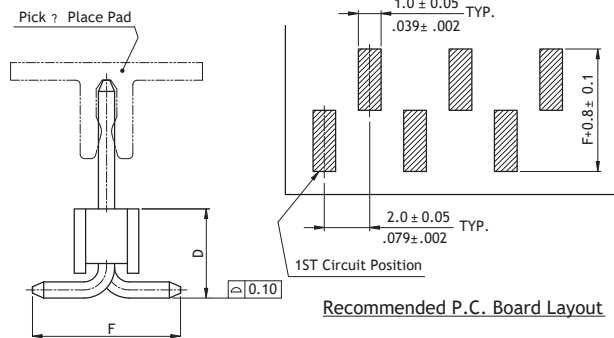
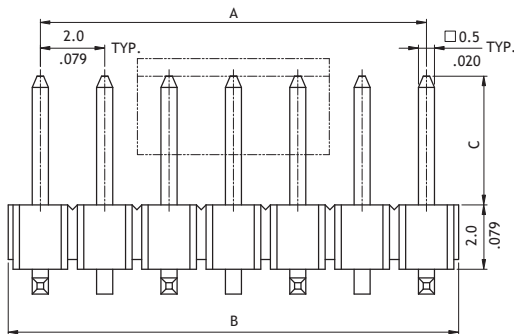
RoHS Compliant



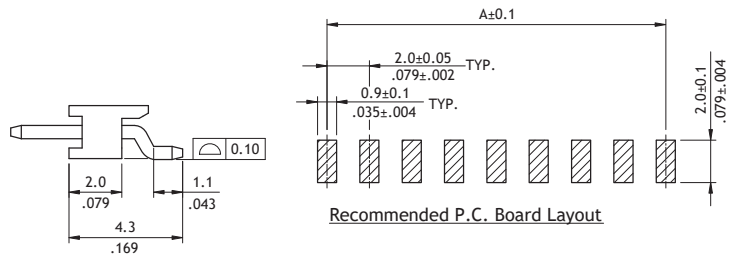
A = 2.0 x No. of Spaces
B = A + 2.0



Option Code	Pin Dimension		
	C	D	F
00	4.0(.157)	2.77(.109)	4.6(.181)
01	6.73(.265)	2.77(.109)	4.6(.181)



A = 2.0 x No. of Spaces
B = A + 2.0



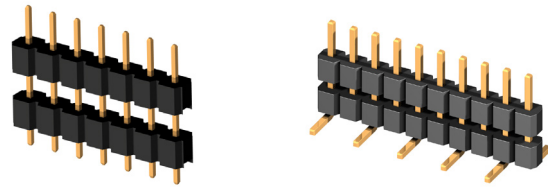
Ordering Code

① ② ③ ④ ⑤ ⑥ ⑦ ⑧ ⑨
CH 1 1 4 0 2 M 1 0 0 - 0 0 - NH

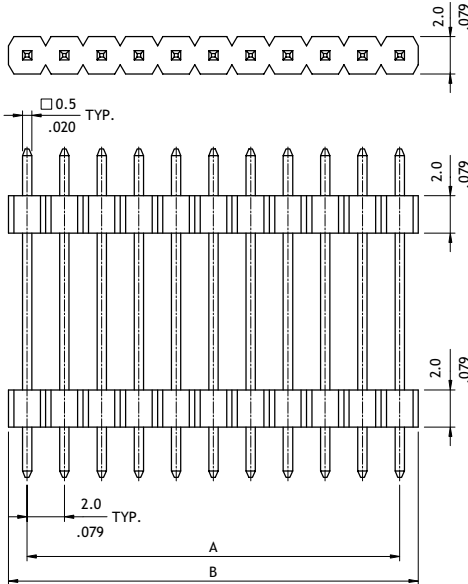
- ① Series No.
- ② No. of Circuits: 02 ~ 40 (Top entry)
02 ~ 12 (Side entry)
- ③ Plating Code: 2 = Gold flash over Nickel
- ④ Tail & Mounting Style: M = Top Entry SMT Type
S = Side Entry SMT Type
- ⑤ Insulator Material & Color:
1 = Color Black (for Top Entry)
A = Color Black (for Side Entry)
- ⑥ Other Options: 00 = Standard (for Top Entry)
01 = Standard (for Side Entry)
*See option code table
*Consult manufacturer for customized pin length
- ⑦ Pin Size: 0 = Original design
- ⑧ Packing Options : 0 = Without Pick & Place Pad (Tube)
P = With Pick & Place Pad (Tape & Reel)
*Code 7 and 8 for Top Entry Type only
- ⑨ NH = For Lead Free IR process and Halogen- Free

CH21 Series 2.00mm(.079") Single Row Dual Bodies Pin Headers

☉ Mate with CB22 series

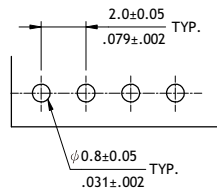


RoHS Compliant **HF**

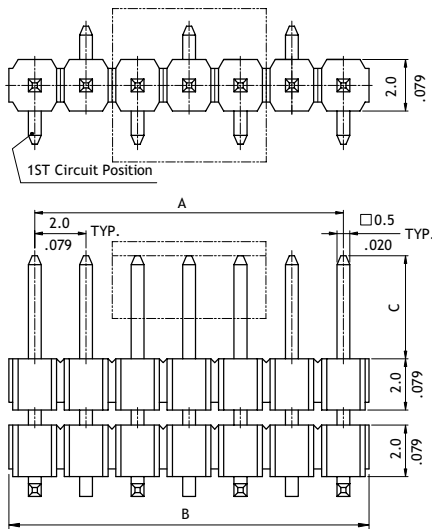


A = 2.0 x No. of Spaces
 B = A + 2.0
 Pin overall length 30.0mm max.

Option Code	Pin Dimension		
	C	D	E
00	4.0(.157)	2.5(.098)	11.6(.457)
01	3.55(.140)	2.55(.100)	9.55(.376)

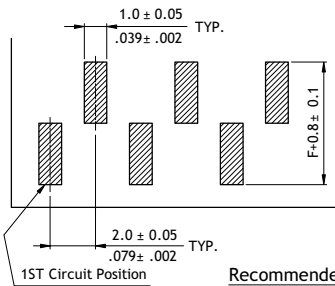


Recommended P.C. Board Layout



A = 2.0 x No. of Spaces
 B = A + 2.0

Option Code	Pin Dimension			
	C	D	E	F
00	4.0(.157)	0.77(.030)	4.0(.157)	4.6(.181)
01	2.5(.098)	0.75(.029)	10.0(.394)	4.6(.181)



Recommended P.C. Board Layout

Ordering Code

① ② ③ ④ ⑤ ⑥ ⑦ ⑧
CH21 40 2 V 1 00 - 00 - NH

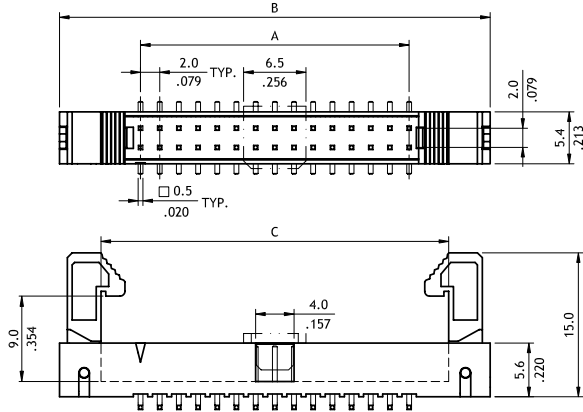
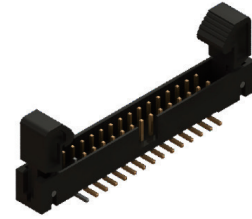
- ① Series No.
- ② No. of Circuits: 02 ~ 40
- ③ Plating Code: 2 = Gold flash over Nickel
- ④ Tail & Mounting Style: V = Top Entry DIP Type
 M = Top Entry SMT Type
- ⑤ Insulator Material & Color:
 1 = Color Black (SMT)
 A = Color Black (DIP)

- ⑥ Other Options: 00 = Standard
 *See option code table
 *Consult manufacturer for customized pin length
- ⑦ Packing Options:
 00 = Without Pick & Place Pad (Tube)
 0P = With Pick & Place Pad (Tape & Reel)
 *Code 7 for SMT Type only
- ⑧ NH = For Lead Free soldering process and Halogen- Free

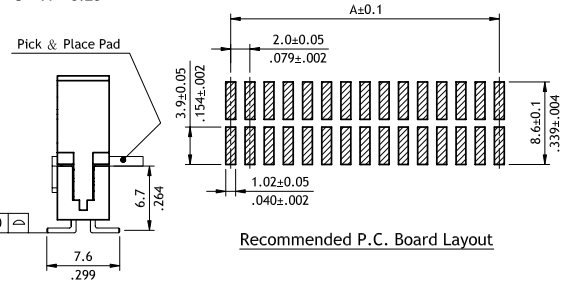
CH70 Series 2.00mm(.079") Straight SMT Dual Row Shrouded Pin Headers

☉ Mate with CA11 series Flat Cable-IDC Socket

RoHS Compliant



A = 2.0 * No. of Spaces
 B = A + 16.9
 C = A + 8.25



Ordering Code

①	②	③	④	⑤	⑥
CH70	50	D	M	1	Y0

① Series No.
 ② No. of Circuits:
 Without Pad: 08 ~ 50
 With Pad: 10 ~ 50

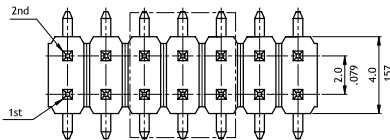
③ Plating Code:
 D = Selective 10µ" Gold flash over Nickel

④ Tail Style: M = SMT Type

⑤ Color: 1 = Black

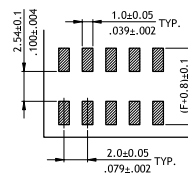
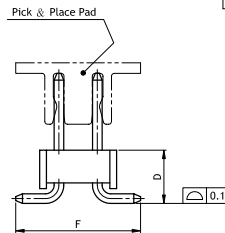
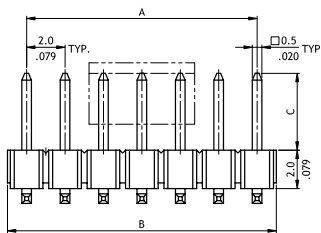
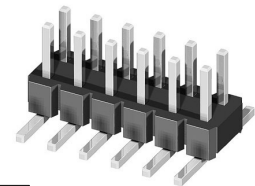
⑥ Other Options:
 Y0= Tray Packing (With Pad)
 R0= Tape & Reel (With Pad)

RoHS Compliant



A = 2.0 x No. of Spaces
 B = A + 2.0

Option Code	Pin Dimension		
	C	D	F
00	4.0(.157)	2.77(.109)	6.5(.256)
01	6.0(.236)	2.77(.109)	6.5(.256)



Recommended P.C. Board Layout

Ordering Code

①	②	③	④	⑤	⑥	⑦	⑧	⑨
CH71	80	2	M	1	00	0	0	NH

① Series No.
 ② No. of Circuits: 04 ~ 80
 ③ Plating Code: 2 = Gold flash over Nickel
 ④ Tail & Mounting Style: M = Top Entry SMT Type
 ⑤ Insulator Material & Color:
 1 = Color Black

⑥ Other Options: 00 = Standard
 *See option code table
 *Consult manufacturer for customized pin length

⑦ Pin Size: 0 = Original design

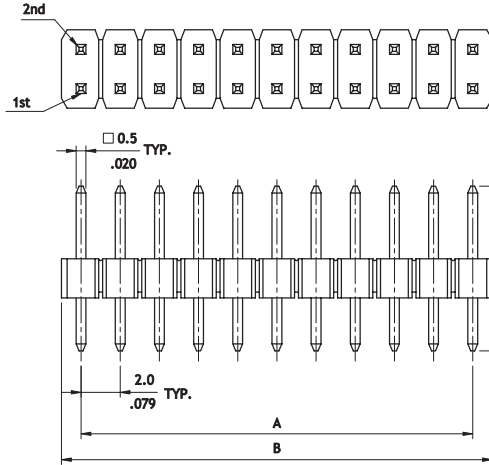
⑧ Packing: 0 = Without Pick & Place Pad (Tube)
 P = With Pick & Place Pad (Tape & Reel)
 *Code 7 and 8 for Top Entry Type only

⑨ NH = For Lead Free IR process and Halogen- Free

CH71 Series 2.00mm(.079") Dual Row Pin Headers

- ⊙ With standoff prevent flux wicking
- ⊙ Mate with CB74, CB76 and CB78 series

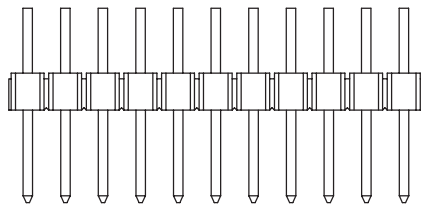
RoHS Compliant 



A = 2.0 x No. of Spaces
B = A + 2.0
Pin overall length 30.0mm max.

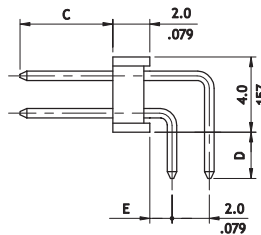
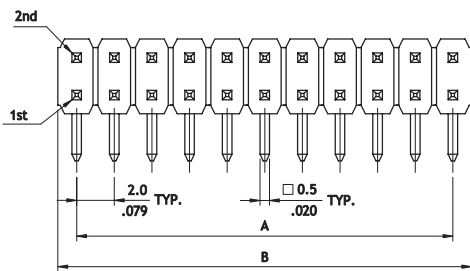
Option Code	Pin Dimension	
	C	D
00	3.9(.154)	2.8(.110)
01	6.8(.268)	3.0(.118)

Recommended P.C. Board Layout



A = 2.0 x No. of Spaces
B = A + 2.0

Option Code	Pin Dimension		
	C	D	E
00	3.9(.154)	2.8(.110)	1.1(.043)
02	2.9(.114)	2.8(.110)	1.1(.043)



Recommended P.C. Board Layout

Ordering Code

① CH ② 7 ③ 1 ④ 8 ⑤ 0 ⑥ 2 ⑦ V ⑧ A ⑨ 0 ⑩ 0 - ⑪ NH

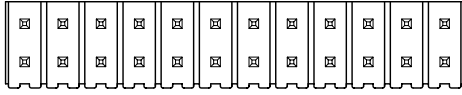
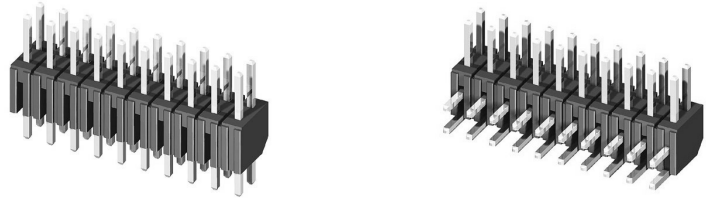
- ① Series No.
- ② No. of Circuits: 02 ~ 80
- ③ Plating Code : 2 = Gold flash over Nickel
- ④ Tail : V = Straight DIP Type
H = Right Angle DIP Type

- ⑤ Insulator Material & Color:
A = Color Black
- ⑥ Other Options: 00 = Standard
*See option code table
*Consult manufacturer for customized pin length
- ⑦ NH = For Lead Free soldering process and Halogen- Free

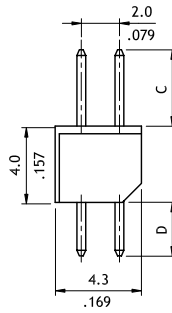
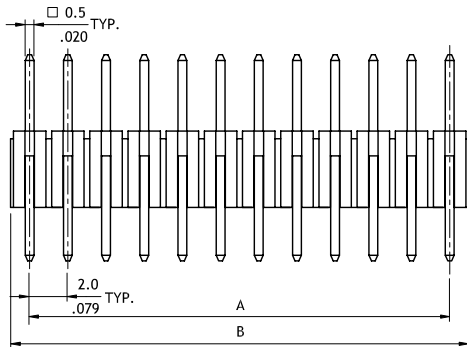
CH72 Series 2.00mm(.079") Dual Row Pin Headers

☉ Mate with CB74, CB78 series

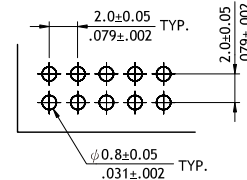
RoHS Compliant



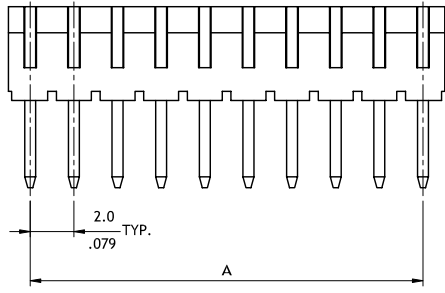
$A = 2.0 * \text{No. of Spaces}$
 $B = A + 2.0$



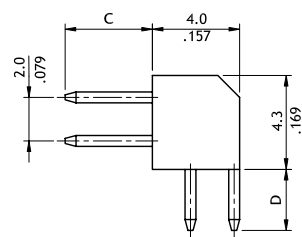
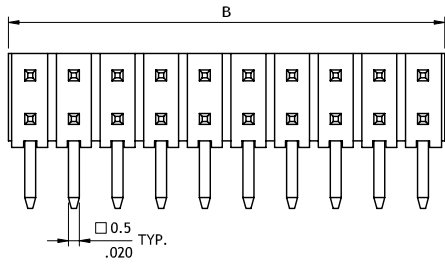
Option Code	Pin Dimension	
	C	D
00	4.0(.157)	2.8(.110)



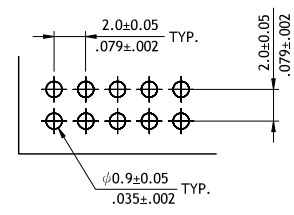
Recommended P.C. Board Layout



$A = 2.0 * \text{No. of Spaces}$
 $B = A + 2.00$



Option Code	Pin Dimension	
	C	D
00	4.0(.157)	2.8(.110)



Recommended P.C. Board Layout

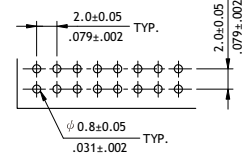
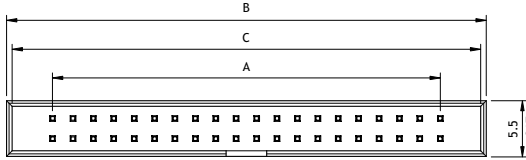
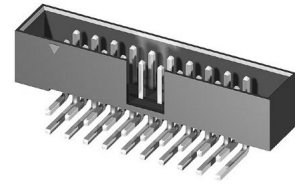
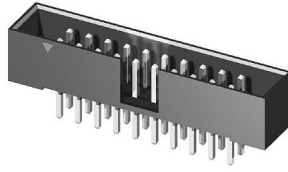
Ordering Code	①	②	③	④	⑤	⑥	⑦	⑧
	CH	72	50	2	V	1	00	R0-NH

① Series No.
 ② No. of Circuits: 08 ~50
 ③ Plating Code : 2 = Gold flash over Nickel
 ④ Tail : V = Straight DIP Type
 H = Right Angle DIP Type
 ⑤ Color: 1 = Black
 ⑥ Other Options : 00 = Standard
 *See option code table
 ⑦ R0 = Reel Packing
 ⑧ NH = For Lead Free IR process and Halogen- Free

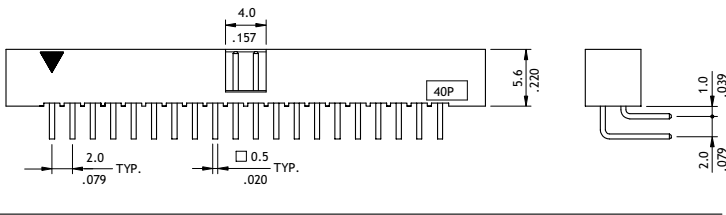
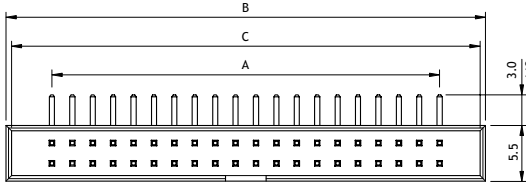
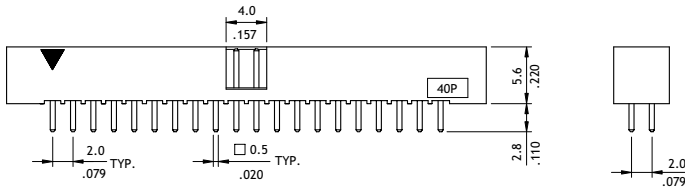
CH74 Series 2.00mm(.079") Dual Row Box Headers

☉ Mate with CA11 series

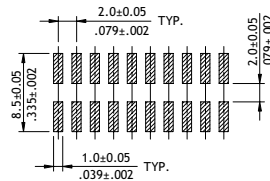
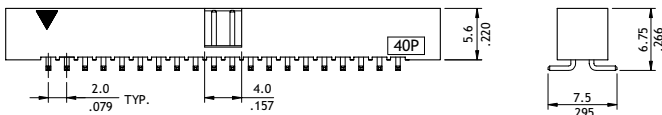
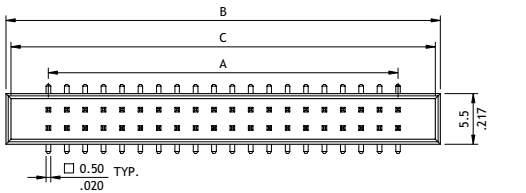
RoHS Compliant 



Recommended P.C. Board Layout



Circuits	Dimension		
	A	B	C
6	4.0(.157)	13.2(.520)	12.1(.476)
8	6.0(.236)	15.2(.598)	14.1(.555)
10	8.0(.315)	17.2(.677)	16.1(.634)
12	10.0(.394)	19.2(.756)	18.1(.713)
14	12.0(.472)	21.2(.835)	20.1(.791)
16	14.0(.551)	23.2(.913)	22.1(.870)
18	16.0(.630)	25.2(.992)	24.1(.949)
20	18.0(.709)	27.2(1.071)	26.1(1.028)
22	20.0(.787)	29.2(1.150)	28.1(1.106)
24	22.0(.866)	31.2(1.228)	30.1(1.185)
26	24.0(.945)	33.2(1.307)	32.1(1.264)
28	26.0(1.024)	35.2(1.386)	34.1(1.343)
30	28.0(1.102)	37.2(1.465)	36.1(1.421)
32	30.0(1.181)	39.2(1.543)	38.1(1.500)
34	32.0(1.260)	41.2(1.622)	40.1(1.579)
36	34.0(1.339)	43.2(1.701)	42.1(1.657)
40	38.0(1.496)	47.2(1.858)	46.1(1.815)
44	42.0(1.654)	51.2(2.016)	50.1(1.972)
50	48.0(1.890)	57.2(2.252)	56.1(2.209)
60	58.0(2.283)	67.2(2.646)	66.1(2.602)
64	62.0(2.441)	71.2(2.803)	70.1(2.760)
68	66.0(2.598)	75.2(2.961)	74.1(2.917)



Recommended P.C. Board Layout

Ordering Code

① CH 7 4 ② 6 8 ③ 2 ④ V ⑤ 1 ⑥ 0 0

- ① Series No.
- ② No. of Circuits: 06 ~ 68
- ③ Plating Code : 2 = Gold flash over Nickel

- ④ Tail : V = Straight DIP Type
H = Right Angle DIP Type
M = SMT Type
- ⑤ Color: 1 = Black
- ⑥ Other Options: 00 = Standard
*See option code table

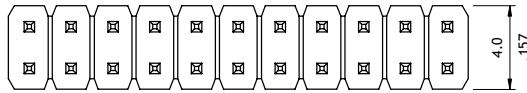
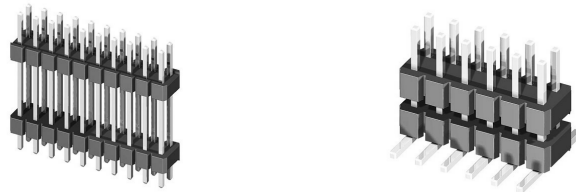
CH

PIN HEADER CONNECTORS

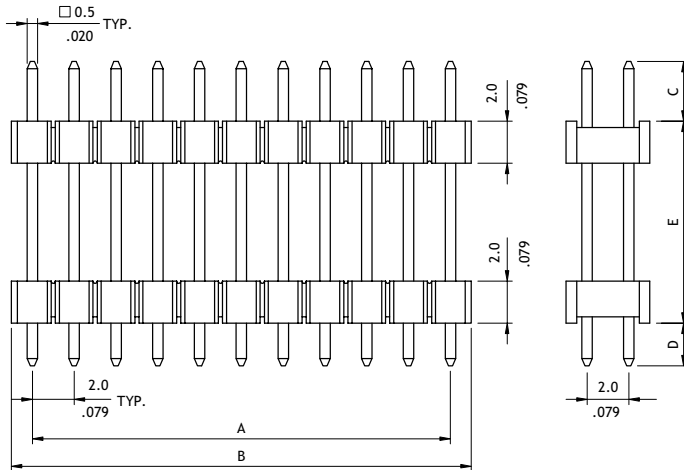
CH75 Series 2.00mm(.079") Dual Row Dual Bodies Pin Headers

☉ Mate with CB74 and CB78 series

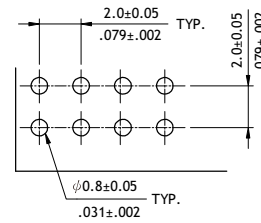
RoHS Compliant



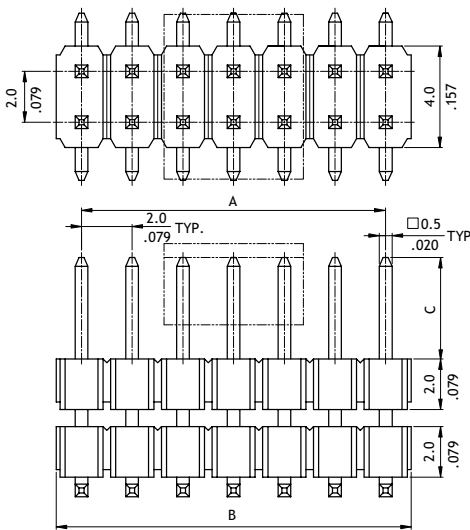
A = 2.0 x No. of Spaces
 B = A + 2.0
 Pin overall length 30.0mm max.



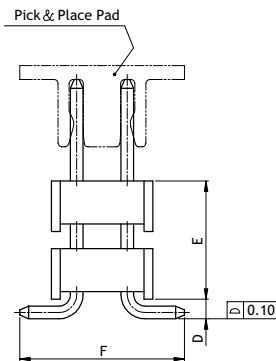
Option Code	Pin Dimension		
	C	D	E
00	4.0(.157)	2.50(.098)	11.60(.457)
01	3.55(.140)	2.55(.100)	9.55(.376)
02	4.0(.157)	2.50(.098)	9.30(.366)



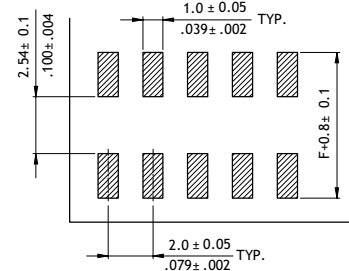
Recommended P.C. Board Layout



A = 2.0 x No. of Spaces
 B = A + 2.0



Option Code	Pin Dimension			
	C	D	E	F
00	4.0(.157)	0.77(.030)	4.00(.157)	6.50(.256)
01	4.0(.157)	0.77(.030)	11.00(.433)	6.50(.256)
02	4.0(.157)	0.77(.030)	8.00(.315)	6.50(.256)



Recommended P.C. Board Layout

Ordering Code

① ② ③ ④ ⑤ ⑥ ⑦ ⑧
CH75 80 2 M 1 00-00-NH

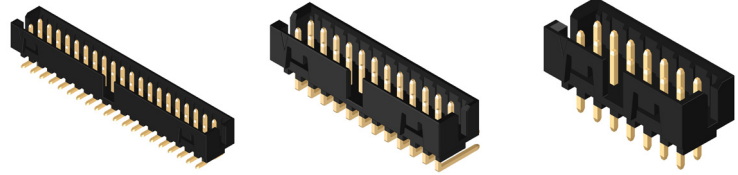
- ① Series No.
- ② No. of Circuits: 04 ~ 80
- ③ Plating Code: 2 = Gold flash over Nickel
- ④ Tail & Mounting Style:
 V = Straight DIP Type
 M = Straight SMT Type
- ⑤ Insulator Color:
 1 = Color Black (SMT)
 A = Color Black (DIP)
- ⑥ Other Options: 00 = Standard
 *See option code table
 *Consult manufacturer for customized pin length
- ⑦ Packing Options:
 00 = Without Pick & Place Pad (Tube)
 0P = With Pick & Place Pad (Tape & Reel)
 *Code 7 for SMT Type only
- ⑧ NH = For Lead Free soldering process and Halogen-Free

CH79 Series 2.00mm(.079") Dual Row Pin Headers

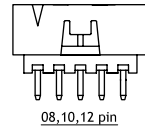
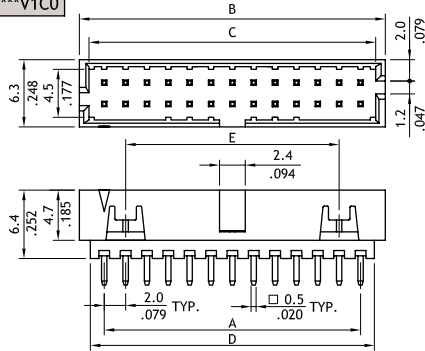
⊙ With polarizing slot

NEW

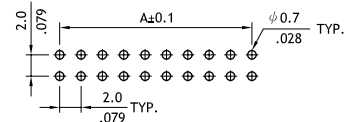
RoHS Compliant



P/N: CH79***V1C0



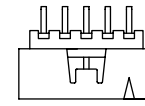
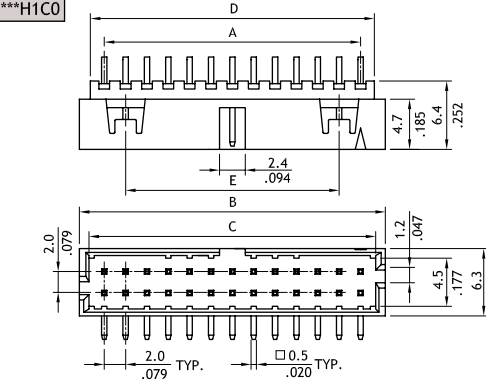
08,10,12 pin



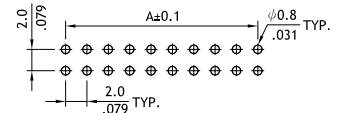
Recommended P.C. Board Layout

A = 2.00 * No. of Spaces
 B = A + 4.65
 C = A + 2.85
 D = A + 2.60
 E = A - 4.00

P/N: CH79***H1C0



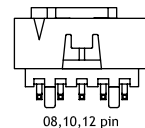
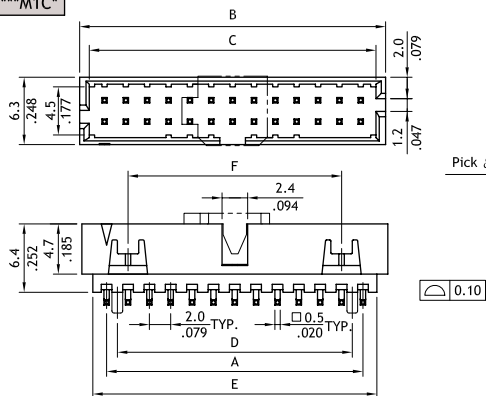
08,10,12 pin



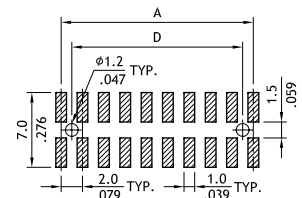
Recommended P.C. Board Layout

A = 2.00 * No. of Spaces
 B = A + 4.65
 C = A + 2.85
 D = A + 2.60
 E = A - 4.00

P/N: CH79***M1C*



08,10,12 pin



Recommended P.C. Board Layout

A = 2.00 * No. of Spaces
 B = A + 4.65
 C = A + 2.85
 D = A - 2.00
 E = A + 2.60
 F = A - 4.00

Ordering Code

① CH ② 79 ③ 08 ④ 2 V ⑤ 1 ⑥ C0

- ① Series No.
- ② No. of Circuits: 08 ~ 50
- ③ Plating Code:
 1 = Matte Tin over Nickel
 2 = Gold flash over Nickel

- ④ Tail Style:
 V = Straight DIP Type
 H = Right Angle DIP Type
 M = Straight SMT Type

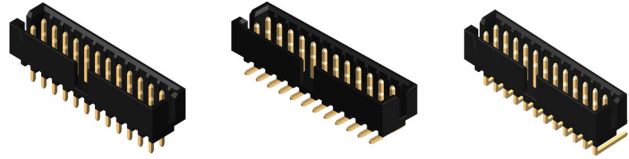
- ⑤ Coloe : 1=Black
- ⑥ Other Options:
 C0 = With center Polarization&Locks, without Peg(DIP)
 C0 = With center Polarization&Locks, with Peg(SMT)
 CP = With center Polarization&Locks, without Peg(SMT)

CH79 Series 2.00mm(.079") Dual Row Box Pin Headers

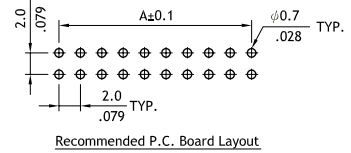
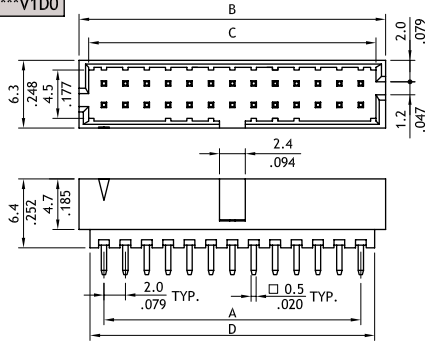
◎ Shrouded header with eject latch

NEW

RoHS Compliant

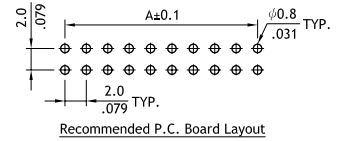
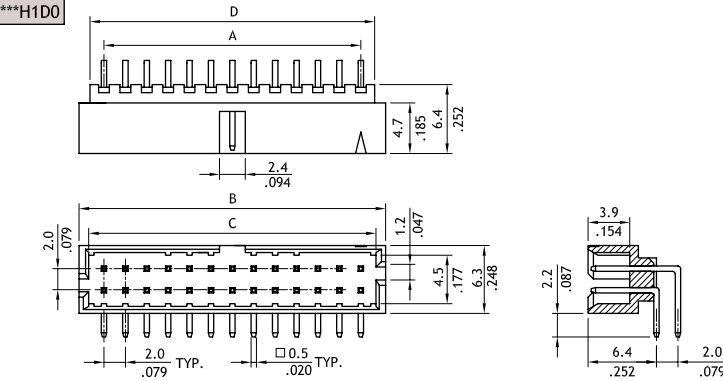


P/N: CH79***V1D0



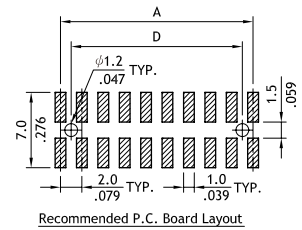
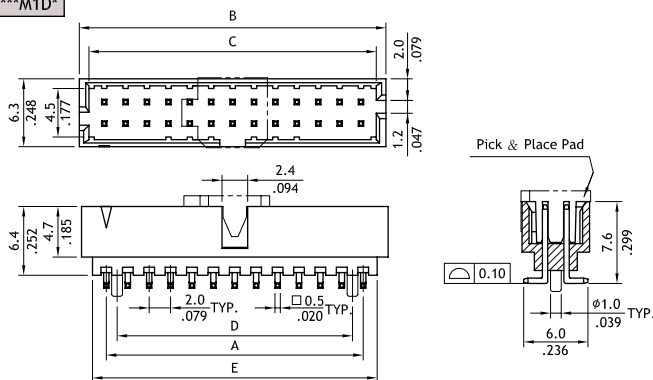
A = 2.00 * No. of Spaces
 B = A + 4.65
 C = A + 2.85
 D = A + 2.60

P/N: CH79***H1D0



A = 2.00 * No. of Spaces
 B = A + 4.65
 C = A + 2.85
 D = A + 2.60

P/N: CH79***M1D*



A = 2.00 * No. of Spaces
 B = A + 4.65
 C = A + 2.85
 D = A + 2.00
 E = A + 2.60

Ordering Code

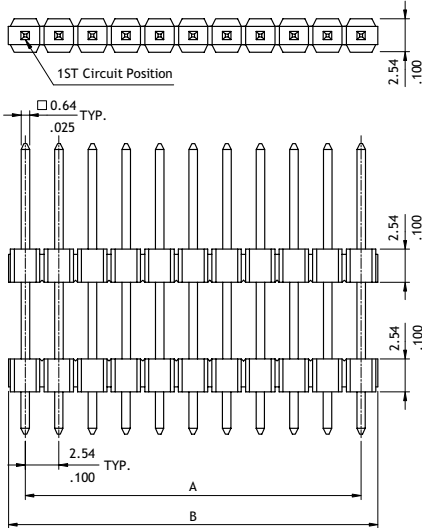
① ② ③ ④ ⑤ ⑥
CH79 08 2 V 1 D0

- ① Series No.
- ② No. of Circuits: 08 ~ 50
- ③ Plating Code:
 1 = Matte Tin over Nickel
 2 = Gold flash over Nickel
- ④ Tail Style:
 M = Straight SMT Type
 V = Straight DIP Type
 H = Right Angle DIP Type
- ⑤ Color: 1 = Black
- ⑥ Pin Length options:
 D0 = With center Polarization, without Peg(DIP)
 D0 = With center Polarization, with Peg(SMT)
 DP = With center Polarization, without Peg(SMT)

CH34 Series 2.54mm(.100") Single Row Dual Bodies Pin Headers

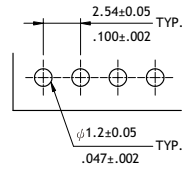
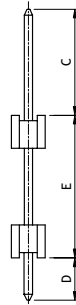
☉ Mate with CB33, CB37 and CB39 series

RoHS Compliant  

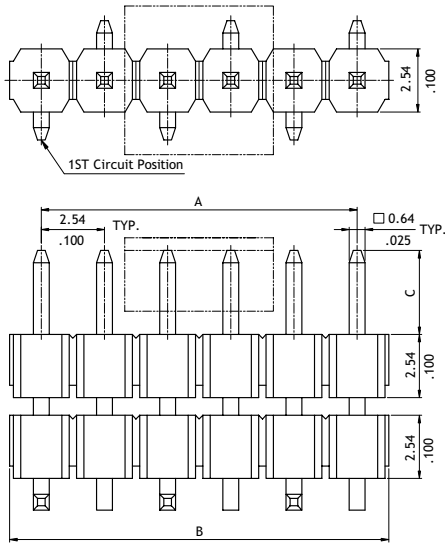


A = 2.54 x No. of Spaces
B = A + 2.36
Pin overall length 30.0mm max.

Option Code	Pin Dimension		
	C	D	E
00	10.30(.406)	3.20(.126)	12.00(.472)
01	3.15(.124)	3.15(.124)	9.00(.354)
02	3.40(.134)	3.00(.118)	9.60(.378)
03	7.00(.276)	3.00(.118)	18.00(.709)
04	3.00(.118)	3.00(.118)	6.00(.236)

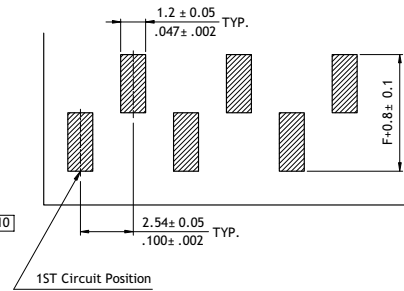


Recommended P.C. Board Layout



A = 2.54 x No. of Spaces
B = A + 2.36

Option Code	Pin Dimension			
	C	D	E	F
00	6.0(.236)	1.27(.050)	5.08(.200)	4.8(.189)
01	2.81(.111)	1.27(.050)	7.73(.304)	4.8(.189)



Recommended P.C. Board Layout

Ordering Code

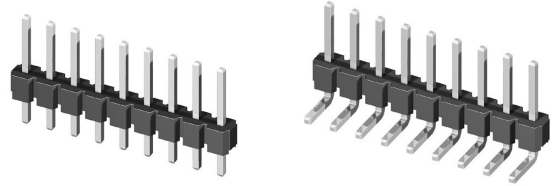
① ② ③ ④ ⑤ ⑥ ⑦ ⑧
CH34 40 2 M 1 00 - 00 - NH

- ① Series No.
- ② No. of Circuits: 02 ~ 40
- ③ Plating Code: 2 = Gold flash over Nickel
- ④ Tail & Mounting Style:
V = Straight DIP Type
M = Straight SMT Type
- ⑤ Insulator Color:
1 = Color Black (SMT)
A = Color Black (DIP)
- ⑥ Other Options: 00 = Standard
*See option code table
*Consult manufacturer for customized pin length
- ⑦ Packing Options:
00 = Without Pick & Place Pad (Tube)
0P = With Pick & Place Pad (Tape & Reel)
*Code 7 for SMT Type only
- ⑧ NH = For Lead Free soldering process and Halogen- Free

CH31 Series 2.54mm(.100") Single Row Pin Headers

☉ Mate with CB33 , CB37 and CB39 series

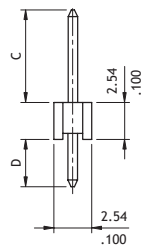
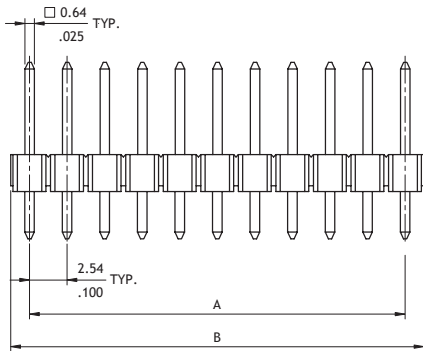
RoHS Compliant



P/N CH31**2VA00-NH

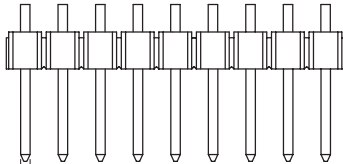


A = 2.54 x No. of Spaces
B = A + 2.36
Pin overall length 30.0mm max.

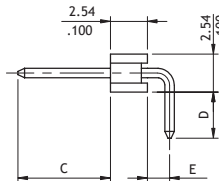
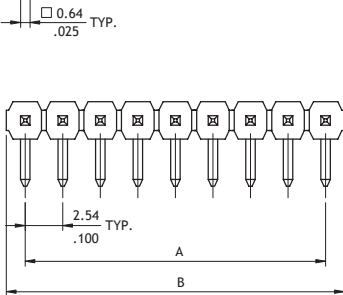


Option Code	Pin Dimension	
	C	D
00	6.0(.236)	3.00(.118)
01	6.26(.246)	3.00(.118)
02	5.86(.231)	3.00(.118)
03	8.86(.349)	3.00(.118)

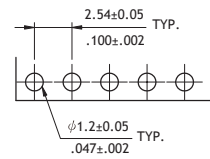
P/N CH31**2HA00-NH



A = 2.54 x No. of Spaces
B = A + 2.36
Pin overall length 30.0mm max.



Option Code	Pin Dimension		
	C	D	E
00	6.0(.236)	3.00(.118)	1.5(.059)
01	6.26(.246)	3.00(.118)	1.5(.059)
02	5.86(.231)	3.00(.118)	1.5(.059)
03	8.30(.327)	3.00(.118)	1.5(.059)
04	7.26(.286)	3.00(.118)	1.5(.059)



Recommended P.C. Board Layout

Ordering Code

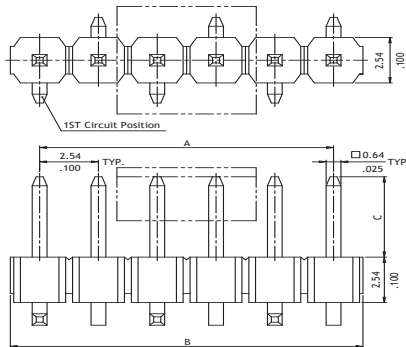
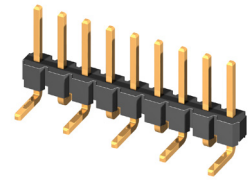
① CH ② 31 ③ 40 ④ 2 ⑤ V ⑥ A ⑦ 00 - NH

- ① Series No.
- ② No. of Circuits: 01 ~ 40
- ③ Plating Code:
2 = Gold flash over Nickel
B = Selective 15µ" Gold flash over Nickel
- ④ Tail & Mounting Style:
V = Straight DIP Type
H = Right Angle DIP Type
- ⑤ Insulator Material & Color : A = Color Black
- ⑥ Other Options: 00 = Standard
*See option code table
*Consult manufacturer for customized pin length
- ⑦ NH = For Lead Free soldering process and Halogen- Free

CH31 Series 2.54mm(.100") Single Row SMT Pin Headers

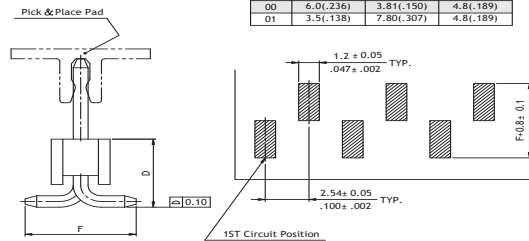
☉ Mate with CB33, CB37 and CB39 series

RoHS Compliant  



A = 2.54x No. of Spaces
B = A + 2.36
Pin overall length 30.0mm max.

Option Code	Pin Dimension		
	C	D	F
00	6.0(.236)	3.81(.150)	4.8(.189)
01	3.5(.138)	7.80(.307)	4.8(.189)



Recommended P.C. Board Layout

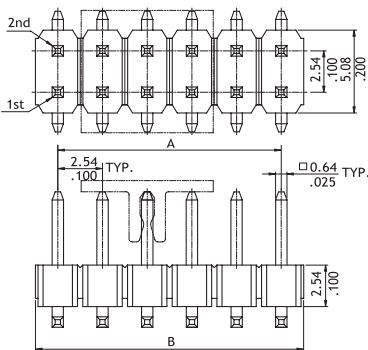
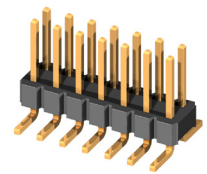
Ordering Code

① ② ③ ④ ⑤ ⑥ ⑦ ⑧
CH31 40 2 M 1 00 - 00 - NH

- ① Series No.
- ② No. of Circuits: 02 ~ 40
- ③ Plating Code : 2 = Gold flash over Nickel
- ④ Tail Style: M = SMT Type
- ⑤ Insulator Material & Color:
1 = Color Black
- ⑥ Other Options: 00 = Standard
*See option consult manufacturer
*Consult manufacturer for customized pin length
- ⑦ Packing Options: 00 = Without Pick & Place Pad(Tube)
OP = With Pick & Place Pad(Tape & Reel)
- ⑧ NH = For Lead Free IR process and Halogen- Free

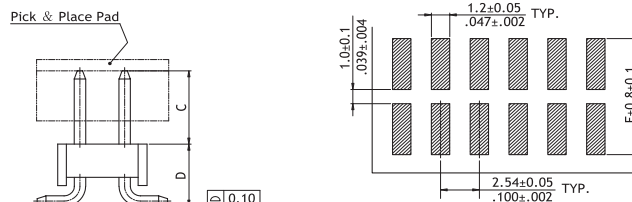
CH81 Series 2.54mm(.100") Dual Row SMT Pin Headers

☉ Mate with CB33, CB37 and CB39 series



A = 2.54x No. of Spaces
B = A + 2.36

Option Code	Pin Dimension		
	C	D	E
00	8.80(.346)	3.4(.134)	7.4(.291)
01	6.0(.236)	3.4(.134)	7.4(.291)
02	6.0(.236)	3.81(.150)	7.4(.291)



Recommended PCB Layout

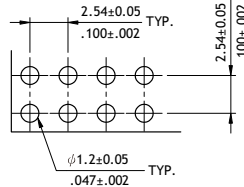
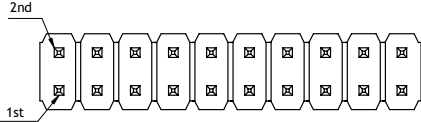
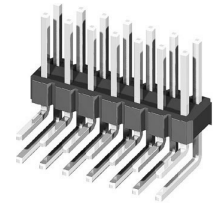
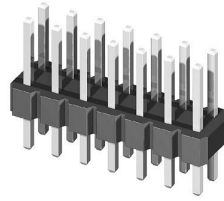
Ordering Code

① ② ③ ④ ⑤ ⑥ ⑦ ⑧
CH81 80 2 M 1 00 - 00 - NH

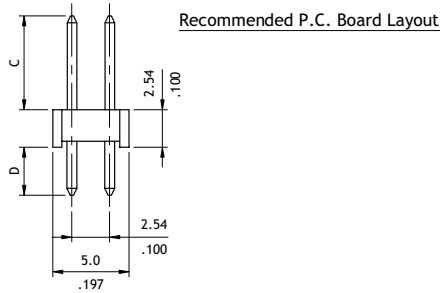
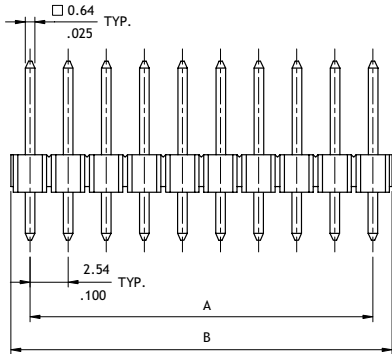
- ① Series No.
- ② No. of Circuits: 04 ~ 80
- ③ Plating Code: 2 = Gold flash over Nickel
- ④ Tail Style: M= Straight SMT Type
- ⑤ Insulator Material & Color:
1 = Color Black
- ⑥ Other Options: 00 = Standard
*See option code table
*Consult manufacturer for customized pin length
- ⑦ Packing Options:
00 = Without Pick & Place Pad (Tube)
OP = With Pick & Place Pad (Tape & Reel)
- ⑧ NH = For Lead Free IR process and Halogen- Free

CH81 Series 2.54mm(.100") Dual Row DIP Pin Headers

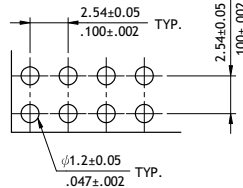
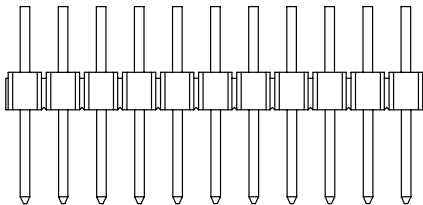
☉ Mate with CB83, CB85, CB87, CB91, CB96 and CB97 series



A = 2.54 x No. of Spaces
B = A + 2.36
Pin overall length 30.0mm max.

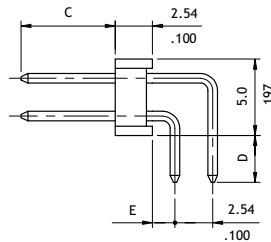
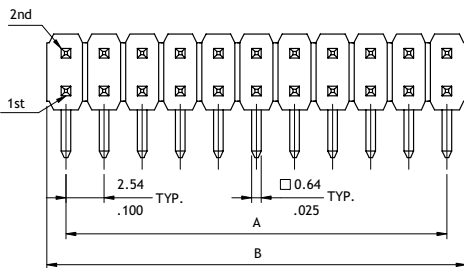


Option Code	Pin Dimension	
	C	D
00	6.00(.236)	3.00(.118)
01	6.26(.246)	3.00(.118)
02	3.50(.138)	3.50(.138)
03	4.20(.165)	4.20(.165)
04	15.50(.610)	3.00(.118)



A = 2.54 x No. of Spaces
B = A + 2.36

Recommended P.C. Board Layout



Option Code	Pin Dimension		
	C	D	E
00	6.00(.236)	3.00(.118)	1.50(.059)
01	6.26(.246)	3.00(.118)	1.50(.059)
02	3.50(.138)	3.50(.138)	1.50(.059)
03	3.00(.118)	3.00(.118)	1.50(.059)
04	3.40(.134)	2.80(.110)	1.50(.059)

Ordering Code

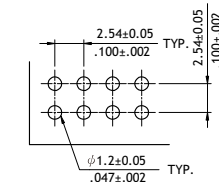
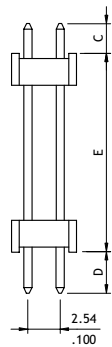
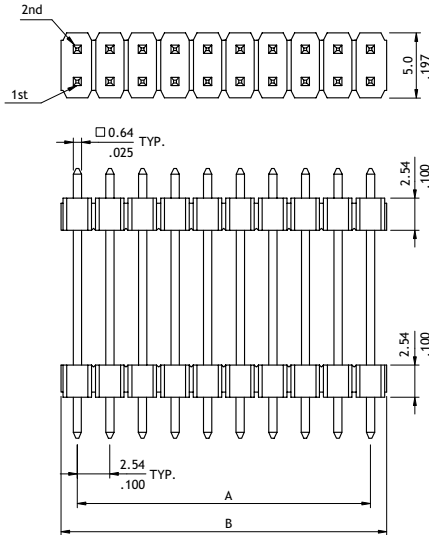
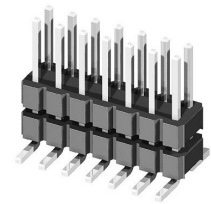
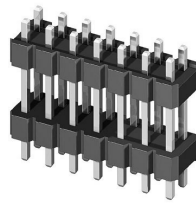
① CH81 ② 80 ③ 2 ④ V ⑤ A ⑥ 00 - NH ⑦

- ① Series No.
- ② No. of Circuits: 04 ~ 80
- ③ Plating Code : 2 = Gold flash over Nickel
- ④ Tail: V = Straight DIP Type
H = Right Angle DIP Type

- ⑤ Insulator Material & Color:
A = Color Black
- ⑥ Other Options: 00 = Standard
*See option code table
*Consult manufacturer for customized pin length
- ⑦ NH = For Lead Free soldering process and Halogen- Free

CH85 Series 2.54mm(.100") Dual Row Dual Bodies Pin Headers

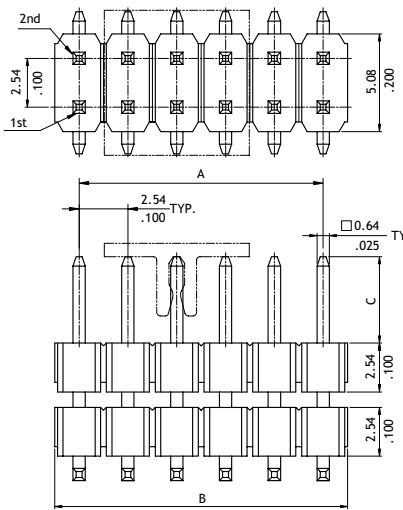
◎ Mate with CB83, CB85, CB87
CB91, CB96 and CB97 series



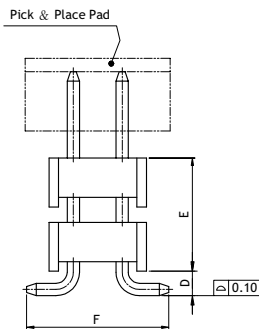
Recommended P.C. Board Layout

A = 2.54 x No. of Spaces
B = A + 2.36
Pin overall length 30.0mm max.

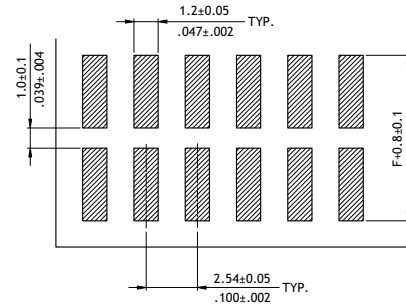
Option Code	Pin Dimension		
	C	D	E
00	2.10(.083)	2.70(.106)	16.2(.638)
01	8.6(.339)	3.00(.118)	18.2(.717)
02	5.60(.220)	3.00(.118)	7.62(.300)
03	6.55(.258)	3.00(.118)	6.45(.254)
04	9.00(.354)	3.00(.118)	14.0(.551)
05	2.70(.106)	2.70(.106)	6.50(.256)



A = 2.54 x No. of Spaces
B = A + 2.36



Option Code	Pin Dimension			
	C	D	E	F
00	6.30(.248)	1.27(.050)	6.70(.263)	7.4(.291)
01	6.20(.244)	1.27(.050)	9.27(.365)	7.4(.291)
02	5.00(.197)	1.27(.050)	18.14(.714)	7.4(.291)



Recommended P.C. Board Layout

Ordering Code

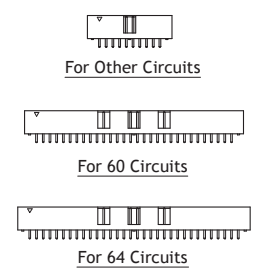
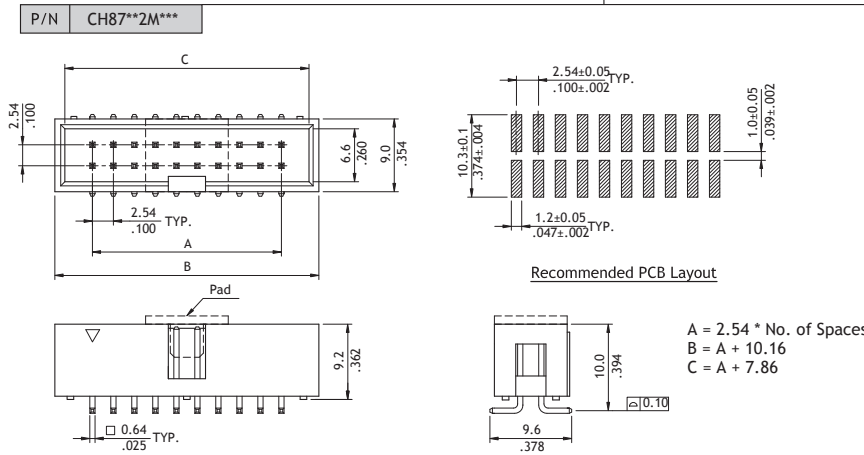
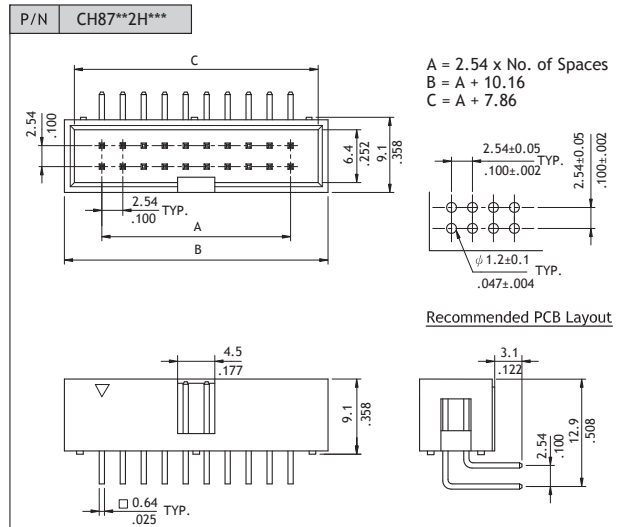
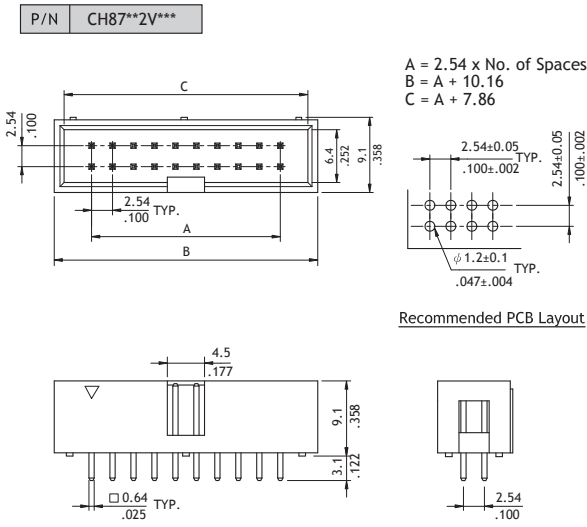
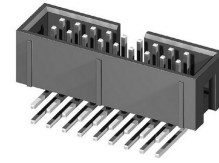
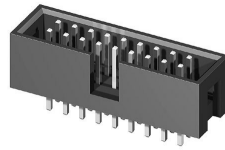
① ② ③ ④ ⑤ ⑥ ⑦ ⑧
CH85 80 2 V A 00 - 00 - NH

- ① Series No.
- ② No. of Circuits: 04 ~ 80
- ③ Plating Code: 2 = Gold flash over Nickel
- ④ Tail & Mounting Style:
V = Straight DIP Type
M = Straight SMT Type
- ⑤ Insulator Material & Color:
1 = Color Black (SMT)
A = Color Black (DIP)

- ⑥ Other Options: 00 = Standard
*See option code table
*Consult manufacturer for customized pin length
- ⑦ Packing:
00 = Without Pick & Place Pad (Tube)
0P = With Pick & Place Pad (Tape & Reel)
*Code 7 for SMT Type only
- ⑧ NH = For Lead Free soldering process and Halogen- Free

CH87 Series 2.54mm(.100") Box Headers

- ⊙ With polarizing slot
- ⊙ Mate with CB94,CA21 series



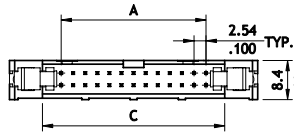
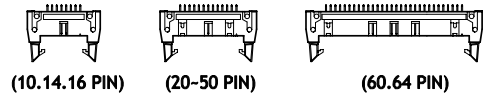
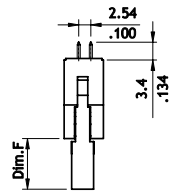
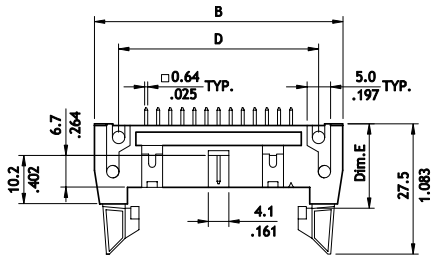
Ordering Code	①	②	③	④	⑤	⑥
	CH87	64	2	V	1	00

- ① Series No.
- ② No. of Circuits:
(Available: 06,08,10,12,14,16, 20,24,26,30,34,44, 50, 60,64)
*Circuits not found above please consult manufacturer
- ③ Plating Code:
2 = Gold flash over Nickel
- ④ Tail & Mounting Style:
V = Straight DIP Type
H = Right Angle DIP Type
M = Straight SMT Type
- ⑤ Insulator Material & Color:
1 = Color Black (SMT)
A = Color Black (DIP)
- ⑥ Other Options:
00 = Standard (DIP)
00 = Without Pad (SMT)
P0 = With Pad (SMT)

CH88 Series 2.54mm(.100") Shrouded Box Headers

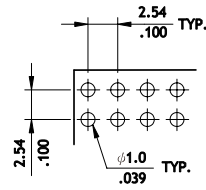
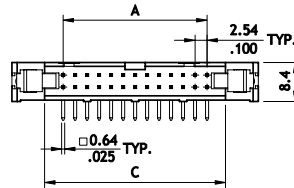
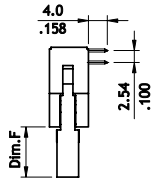
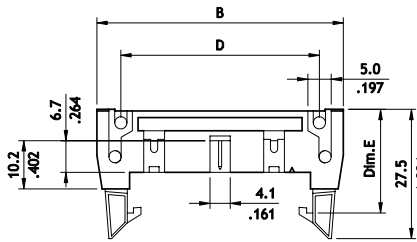
- Ⓞ Shrouded header with eject latch
- Ⓞ Mate with CA21 series

RoHS Compliant 



	Long	Short
Dim.E	22.0(.866)	18.4(.724)
Dim.F	10.9(.429)	10.8(.425)

Circuits	Dimension			
	A	B	C	D
10	10.16(.400)	31.87(1.255)	17.90(.705)	21.70(.854)
14	15.24(.600)	36.95(1.454)	22.95(.903)	26.88(1.058)
16	17.78(.700)	39.48(1.554)	25.50(1.004)	29.27(1.152)
20	22.86(.900)	44.62(1.757)	30.58(1.204)	34.50(1.358)
24	27.94(1.100)	49.67(1.956)	35.70(1.406)	39.50(1.555)
26	30.48(1.200)	52.23(2.056)	38.25(1.506)	42.05(1.656)
30	35.56(1.400)	57.30(2.256)	43.35(1.707)	47.20(1.858)
34	40.64(1.600)	62.38(2.456)	48.40(1.906)	52.15(2.053)
40	48.26(1.900)	69.95(2.754)	56.05(2.207)	59.90(2.358)
50	60.96(2.400)	82.70(3.255)	68.70(2.705)	72.55(2.856)
60	73.66(2.900)	95.45(3.758)	81.50(3.209)	85.25(3.356)
64	78.74(3.100)	100.60(3.960)	86.40(3.402)	90.35(3.557)



Recommended P.C. Board Layout

Ordering Code

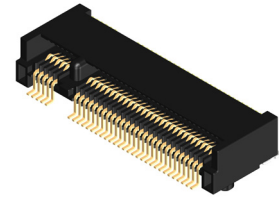
① CH88 ② 64 ③ 2 ④ A ⑤ 1 ⑥ 00-B

- ① Series No.
- ② No. of Circuits: see above table please consult manufacturer
- ③ Plating Code: 2 = Gold flash over Nickel
- ④ Tail & Mounting Style:
 A = With Long Latch / Straight (DIM.E = 22.0)
 B = With Long Latch / Right Angle (DIM.E = 22.0)
 C = With Short Latch / Straight (DIM.E = 18.4)
 D = With Short Latch / Right Angle (DIM.E = 18.4)
- ⑤ Insulator Material & Color:
 1 = Black
- ⑥ Other Options: 00-B= Standard
 *Special options consult manufacturer

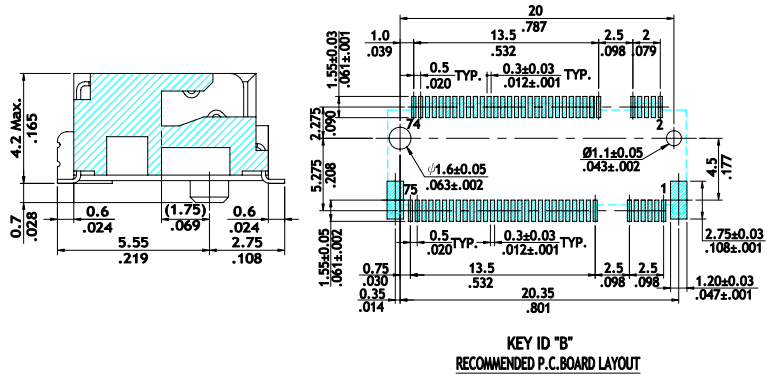
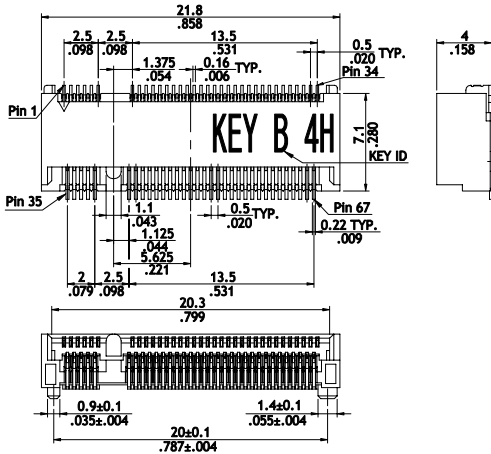
CS76 Series NGFF Connectors

- Housing: High temperature thermo plastic UL 94V-0
- Terminal: Copper Alloy
- Solder Fixed TAB: Copper Alloy

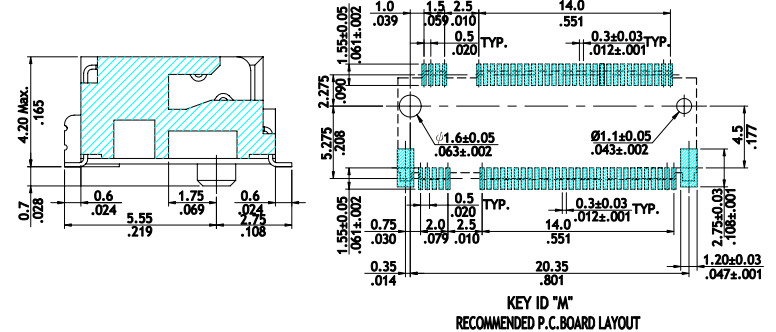
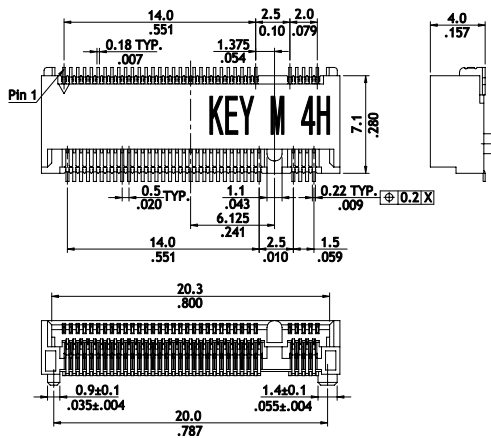
RoHS Compliant



P/N: CS76672AB0-R0



P/N: CS76672AM0-R0



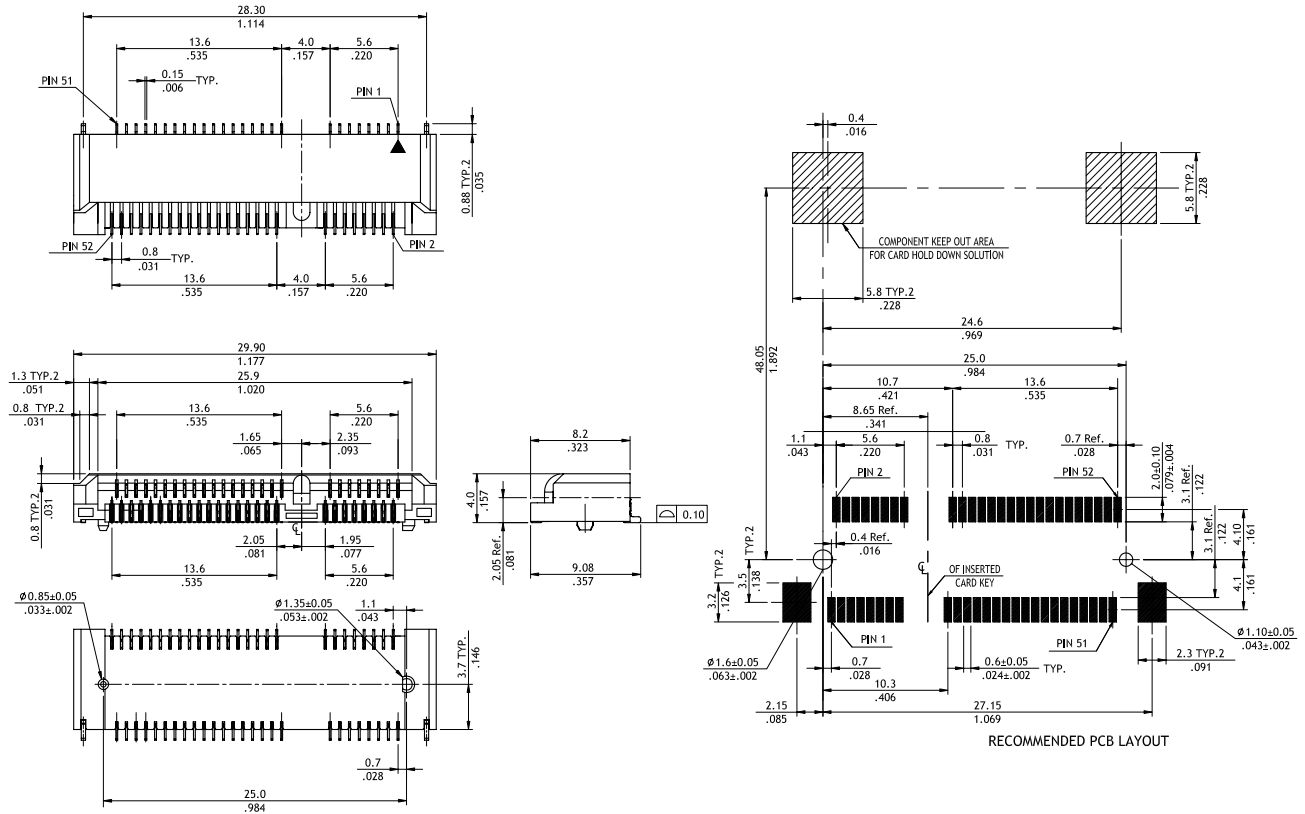
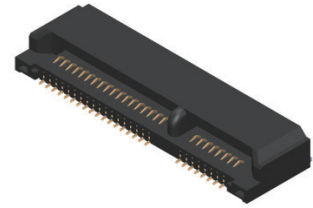
Ordering Code

① ② ③ ④ ⑤ ⑥
CS 76 67 2 A M0 - R0

- ① Series No.
- ② No. of Circuits: 67
- ③ Plating Code: 2 = Gold flash over Nickel
- ④ Height: A = 4.0mm
- ⑤ Key ID: M0 = Key M B0 = Key B
- ⑥ Packing Options: R0 = Tape & Reel

CS59 Series Mini PCI 4.0H 52pin Top Mount Connectors

- Housing: High temperature thermo plastic UL 94V-0
- Terminal: Copper Alloy
- Solder Fixed TAB: Copper Alloy



Ordering Code

①	②	③	④	⑤	⑥
CS	59	52	M	A	1 R0

- ① Series No.
- ② No. of Circuits: 52
- ③ Tail Style: M = SMT Type
- ④ Plating Options:
A = Selective Gold flash over Nickel
- ⑤ Color: 1 = Black
- ⑥ Packing Options: R0 = Tape & Reel

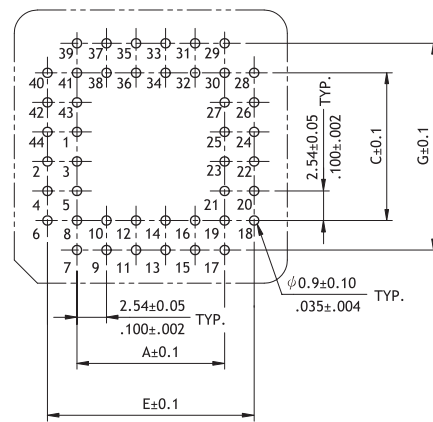
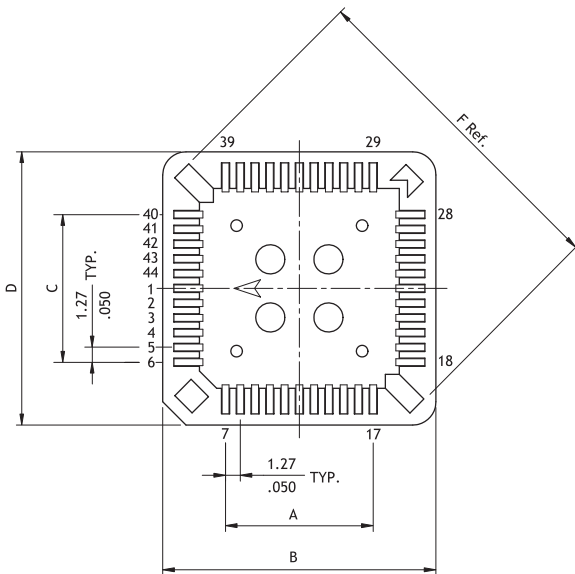
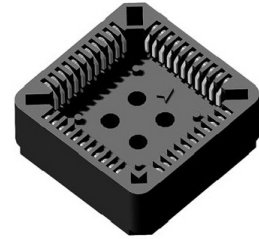
CS

SOCKETS

CS21 Series 1.27mm(.050") DIP PLCC Chip Carrier Socket

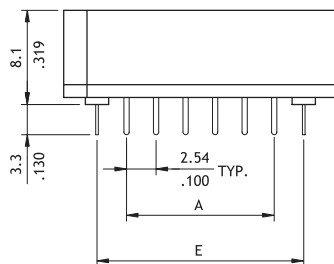
- Ⓞ With standoff prevent flux wicking
- Ⓞ Low cost and reliable
- Ⓞ Insulator: Glass filled polyester
- Ⓞ Contact: Tin Phosphor Bronze

RoHS Compliant



Recommended P.C. Board Layout

Available for 20,28,32,44,52,68,84 Circuits



Circuits	Dimension						
	A	B	C	D	E	F	G
20	5.08(.200)	15.5(.610)	5.08(.200)	15.5(.610)	10.16(.400)	16.8(.661)	10.16(.400)
28	7.62(.300)	18.0(.709)	7.62(.300)	18.0(.709)	12.70(.500)	20.7(.815)	12.70(.500)
32	10.16(.400)	20.6(.811)	7.62(.300)	18.0(.709)	15.24(.600)	22.6(.890)	12.70(.500)
44	12.70(.500)	23.5(.926)	12.70(.500)	23.5(.926)	17.78(.700)	28.4(1.118)	17.78(.700)
52	15.24(.600)	25.9(1.020)	15.24(.600)	25.9(1.020)	20.32(.800)	31.7(1.248)	20.32(.800)
68	20.32(.800)	31.66(1.246)	20.32(.800)	31.66(1.246)	25.40(1.000)	39.2(1.543)	25.40(1.000)
84	25.40(1.000)	36.66(1.443)	25.40(1.000)	36.66(1.443)	30.48(1.200)	46.2(1.819)	30.48(1.200)

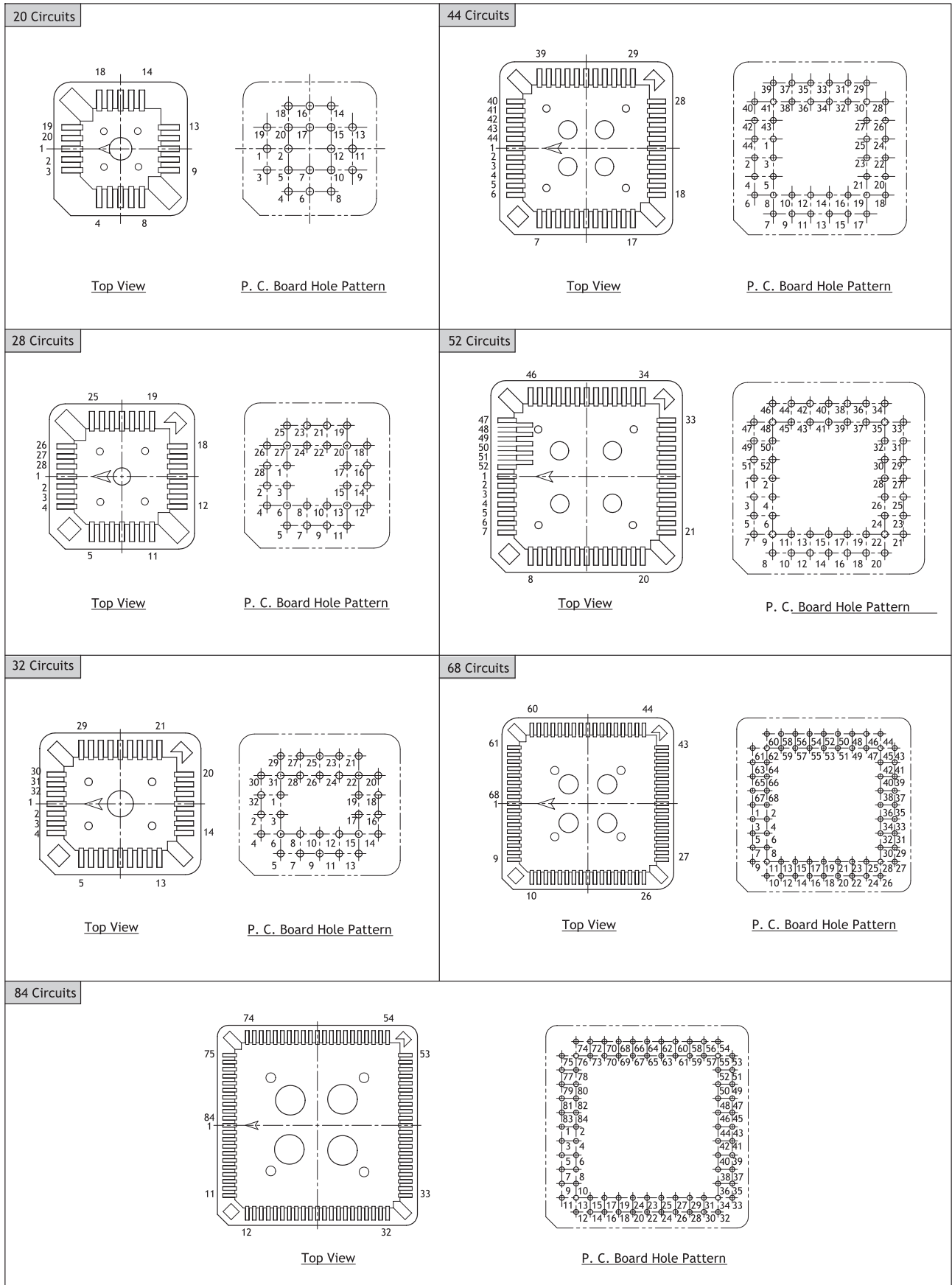
Ordering Code

① CS 21 ② 8 4 ③ 1 ④ 1 ⑤ 0 0 0

- ① Series No.
- ② No. of Circuits: See above table
- ③ Plating Code: 1 = Tin over Nickel
- ④ Color : 1 = Black (PBT)
0 = Nature (PPS)

- ⑤ Other Options:
000 = PBT (Standard)
A00 = PPS
*Special options consult manufacturer

CS21 Series 1.27mm(.050") DIP PLCC Chip Carrier Socket



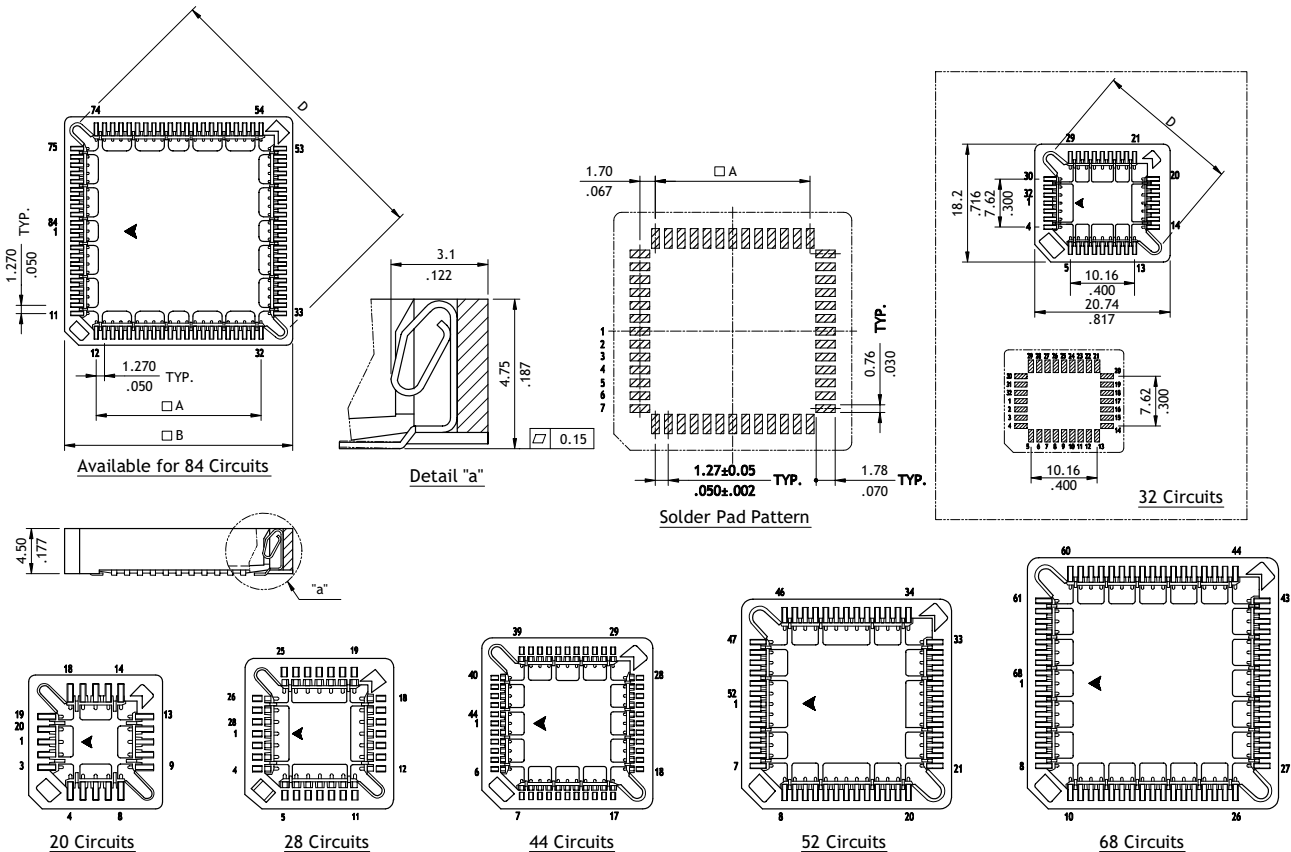
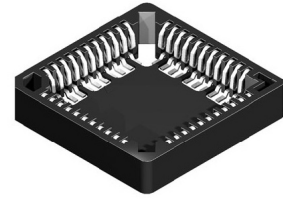
CS

SOCKETS

CS22 Series 1.27mm(.050") SMT PLCC Chip Carrier Socket

- ⊙ With standoff prevent flux wicking
- ⊙ Low cost and reliable
- ⊙ Insulator: Glass filled polyester
- ⊙ Contact: Tin plated Phosphor Bronze

RoHS Compliant



Circuits	Dimension		
	A	B	D
20	5.08(.200)	15.66(.617)	17.28(.680)
28	7.62(.300)	18.20(.717)	20.87(.822)
44	12.70(.500)	23.28(.917)	28.30(1.114)
52	15.24(.600)	25.82(1.017)	31.65(1.246)
68	20.32(.800)	30.90(1.217)	38.83(1.529)
84	25.40(1.000)	35.98(1.417)	46.00(1.811)

Ordering Code

① ② ③ ④ ⑤
CS 2 2 8 4 1 0 0 0 0

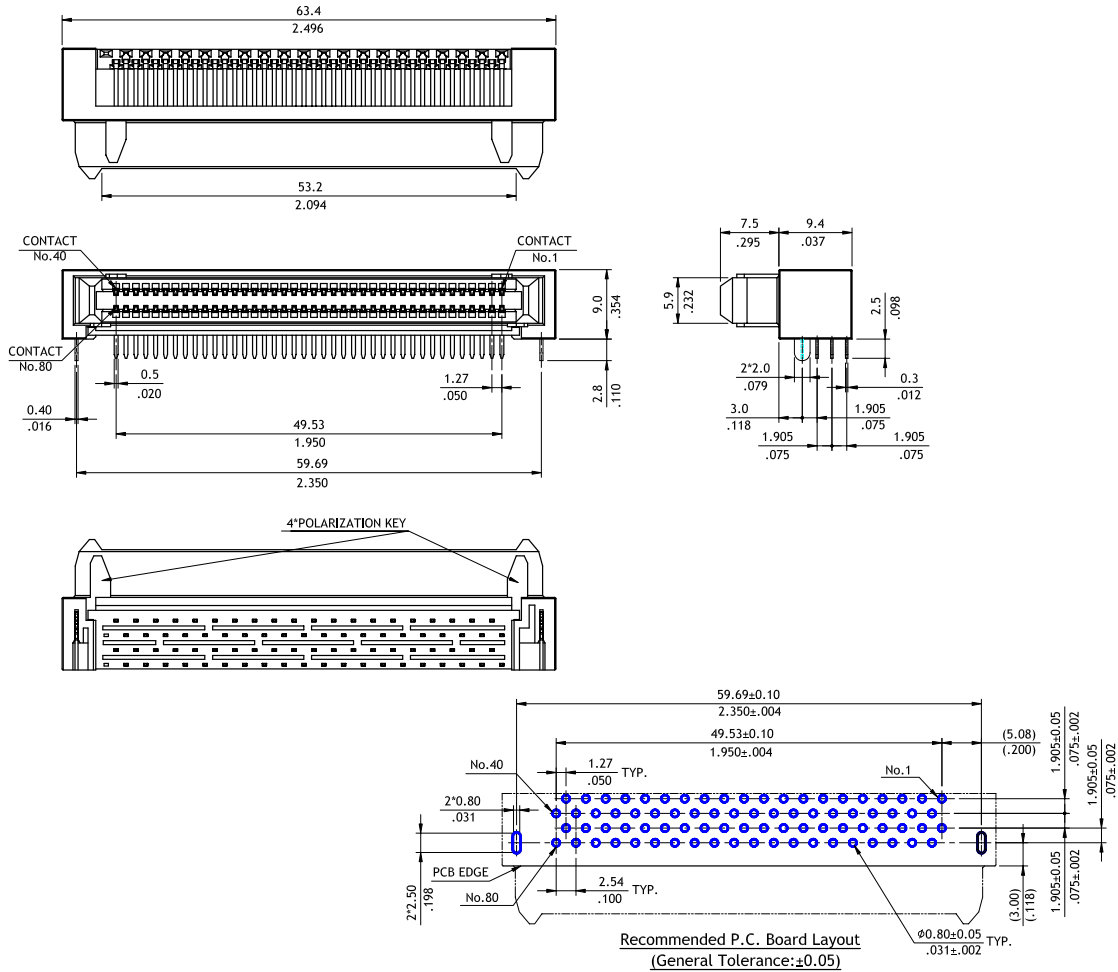
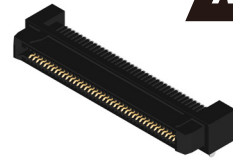
- ① Series No.
- ② No. of Circuits: See above table

- ③ Plating Code: 1 = Tin over Nickel
- ④ Color: 0 = Nature
- ⑤ Other Options:
 000 = Standard
 0R0 = Tape & Reel
 *Special options consult manufacturer

CS78 Series 1.27mm(.050)Board to Board Right Angle DIP Connectors

- ⊙ Insulation :Nylon 6T UL 94V-0 , Color Black
- ⊙ Cover :Nylon 6T UL 94V-0 , Color Black
- ⊙ Terminal : Copper Alloy , T = 0.3mm
- ⊙ Hook Pin : Copper Alloy , T = 0.4mm

NEW



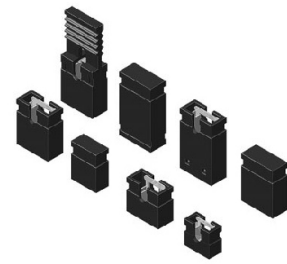
Ordering Code

① ② ③ ④ ⑤ ⑥
CS78 080 A A R0 - NH

- ① Series No.
- ② No. of Circuits: 80
- ③ Plating Code:
A = Selective Gold flash over Nickel
- ④ Color : 1= Black
- ⑤ Packing : R0 =Tape & Reel
- ⑥ NH= For Lead Free Soldering Processes and Halogen-Free

CS01 Series 2.54mm(.100") Dual Row Multiple Shunts

- ⊙ Available variety of body height
- ⊙ Handle type available
- ⊙ Low cost and reliable
- ⊙ Color code option " * " 1 = Black, 3 = Red, 7 = Blue
- ⊙ Gold flash plated as standard



RoHS Compliant

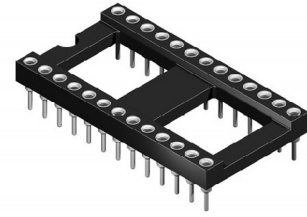
<p>P/N CS01342B*00</p> <p>SEC.: A-A</p>	<p>P/N CS01502A*00</p> <p>SEC.: A-A</p>
<p>P/N CS01602B*00</p> <p>SEC.: A-A</p>	<p>P/N CS01632A*00</p> <p>SEC.: A-A</p>
<p>P/N CS01802B*00</p> <p>SEC.: A-A</p>	<p>P/N CS01852A*00</p> <p>SEC.: A-A</p>
<p>P/N CS01452B*00</p> <p>SEC.: A-A</p>	<p>P/N CS01X12A*00</p> <p>SEC.: A-A</p>

CS

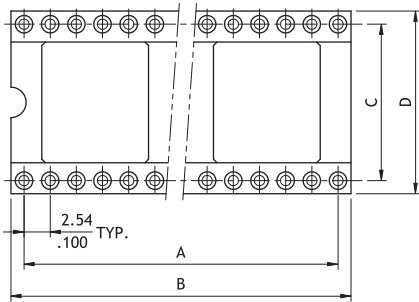
SOCKETS

CS07 Series 2.54mm (.100") DIP Socket - Machined contacts

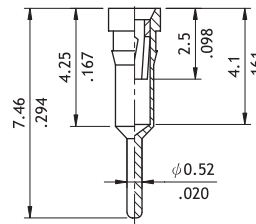
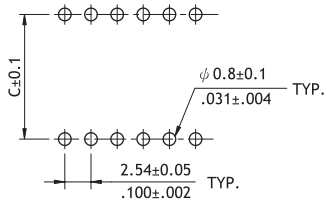
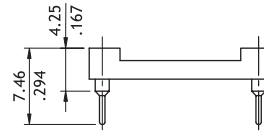
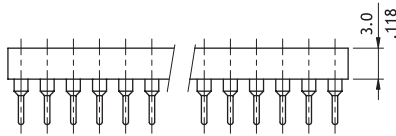
- ⊙ High reliability screwed machined terminals with multiple finger contacts
- ⊙ Sealed and prevent flux wicking
- ⊙ Insulator: Glass filled polyester
- ⊙ Contact: Gold plated Beryllium copper
- ⊙ Sleeve: Tin plated copper alloy



RoHS Compliant



Circuits	CviLux P/N	Dimension			
		A	B	C	D
6	CS0706D1000	5.08(.200)	7.62(.300)	7.62(.300)	10.04(.395)
8	CS0708D1000	7.62(.300)	10.16(.400)	7.62(.300)	10.04(.395)
14	CS0714D1000	15.24(.600)	17.78(.700)	7.62(.300)	10.04(.395)
16	CS0716D1000	17.78(.700)	20.32(.800)	7.62(.300)	10.04(.395)
18	CS0718D1000	20.32(.800)	22.86(.900)	7.62(.300)	10.04(.395)
20	CS0720D1000	22.86(.900)	25.40(1.000)	7.62(.300)	10.04(.395)
24	CS0724D1000	27.94(1.100)	30.48(1.200)	7.62(.300)	10.04(.395)
	CS0724D1A00			15.24(.600)	17.72(.698)
28	CS0728D1000	33.02(1.300)	35.56(1.400)	7.62(.300)	10.04(.395)
	CS0728D1A00			15.24(.600)	17.72(.698)
32	CS0732D1A00	38.10(1.500)	40.64(1.600)	15.24(.600)	17.72(.698)
40	CS0740D1A00	48.26(1.900)	50.80(2.000)	15.24(.600)	17.72(.698)
42	CS0742D1A00	50.80(2.000)	53.34(2.100)	15.24(.600)	17.72(.698)
48	CS0748D1A00	58.42(2.300)	60.96(2.400)	15.24(.600)	17.72(.698)



Recommended P.C. Board Layout

Pin detail

Ordering Code

① CS 07 ② 48 ③ D ④ 1 ⑤ A00

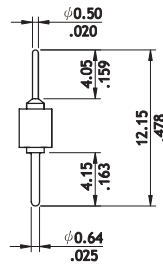
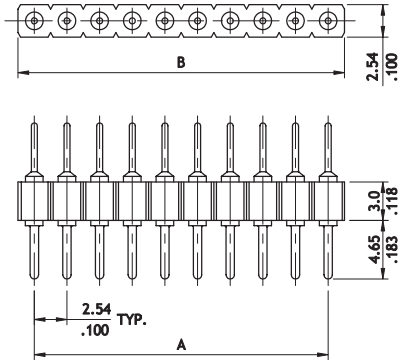
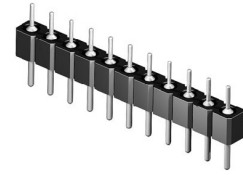
- ① Series No.
- ② No. of Circuits: See above table
- ③ Plating Code:
D = Selective 10µ" Gold flash over Nickel

- ④ Color: 1 = Black
- ⑤ Other Options:
000 = DIM.D: 10.04mm
A00 = DIM.D: 17.72mm
*Special options consult manufacturer

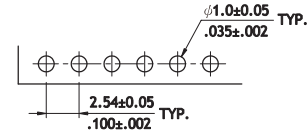
CS09 Series 2.54mm(.100") Single in Line Adapter Strip

- ⊙ Machined contact
- ⊙ Highly reliable board interconnecting

RoHS Compliant



$A = 2.54 * \text{No. of Spaces}$
 $B = A + 2.54$



Recommended P.C. Board Layout

Ordering Code

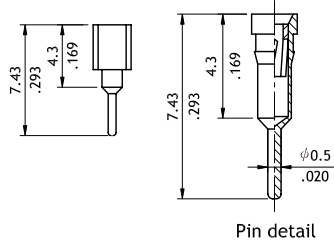
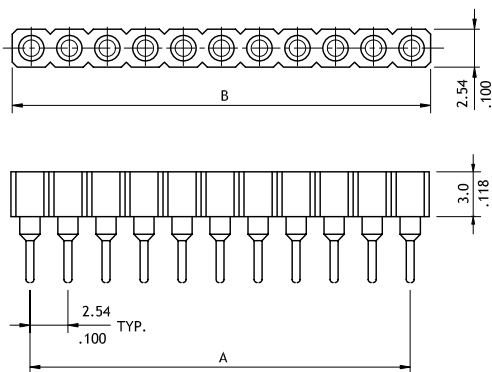
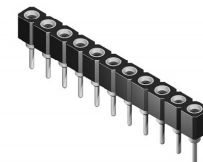
① CS 09 ② 40 ③ 2 ④ 1 ⑤ A00

- ① Series No.
- ② No. of Circuits: 02 ~ 40
- ③ Plating Code: 2 = Gold flash over Nickel
- ④ Color: 1 = Black
- ⑤ Other Options: A00 = Standard
 *Special options consult manufacturer

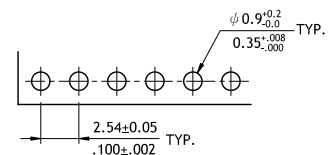
CS10 Series 2.54mm(.100") Single in Line SIP Socket

- ⊙ High reliability screwed machined terminals with multiple finger contacts
- ⊙ Sealed and prevent flux wicking
- ⊙ Insulator: PPS UL 94V-0
- ⊙ Contact: Gold Beryllium copper

RoHS Compliant



$A = 2.54 * \text{No. of Spaces}$
 $B = A + 2.54$



Recommended P.C. Board Layout

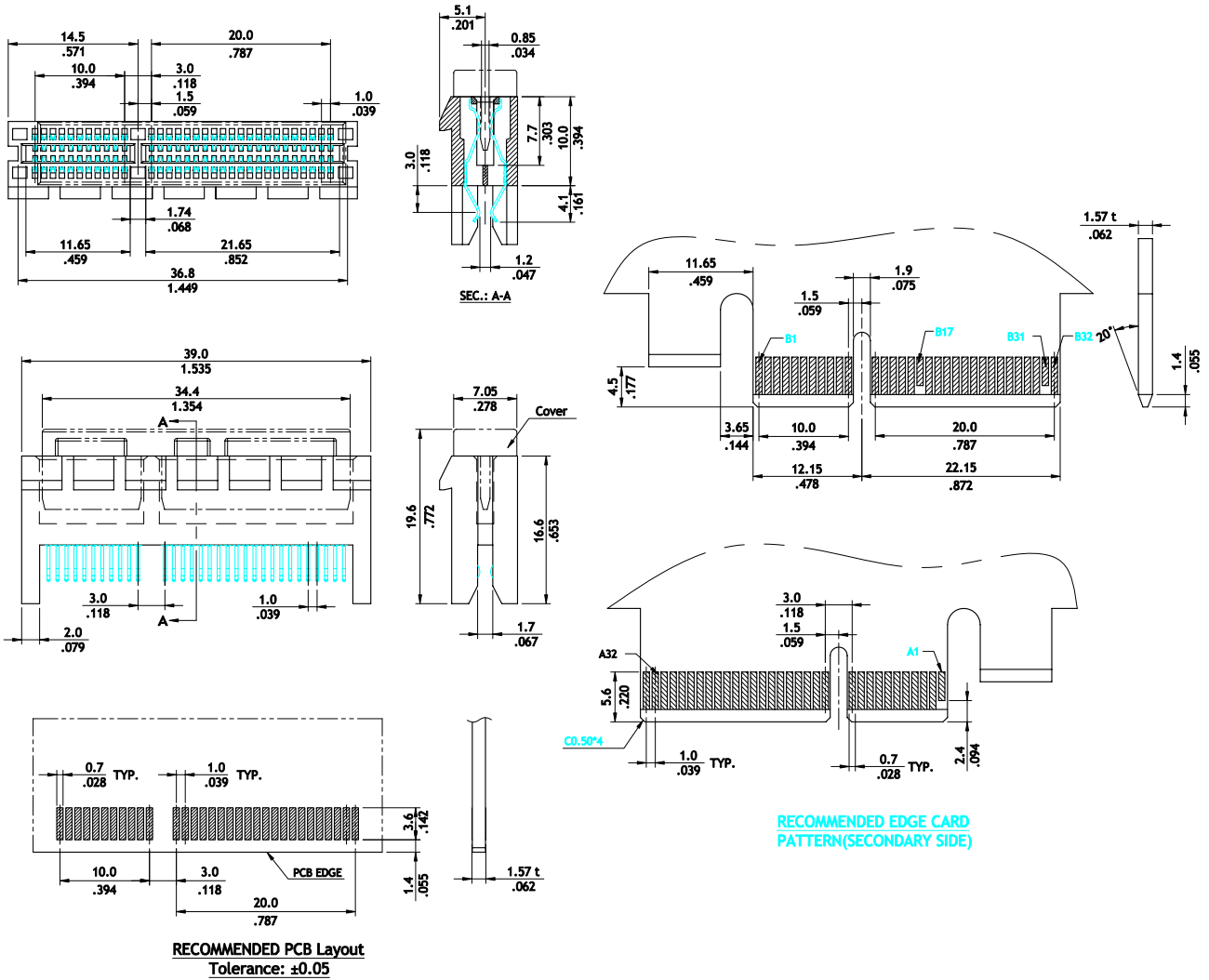
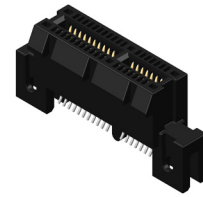
Ordering Code

① CS 10 ② 40 ③ D ④ 1 ⑤ 000

- ① Series No.
- ② No. of Circuits: 02 ~ 40
- ③ Plating Code: D = Selective 10μ" Gold flash over Nickel
- ④ Color: 1 = Black
- ⑤ Other Options : 000 = Standard
 *Special options consult manufacturer

CS74 Series PCI EXPRESS EDGE CARD Connector

- ⊙ PCIe Connector
- ⊙ Insulation : LCP UL 94V-0 , Color Black
- ⊙ Terminal : Phosphor Bronze , T = 0.25mm
- ⊙ Cover : LCP UL 94V-0 , Color Black



Ordering Code

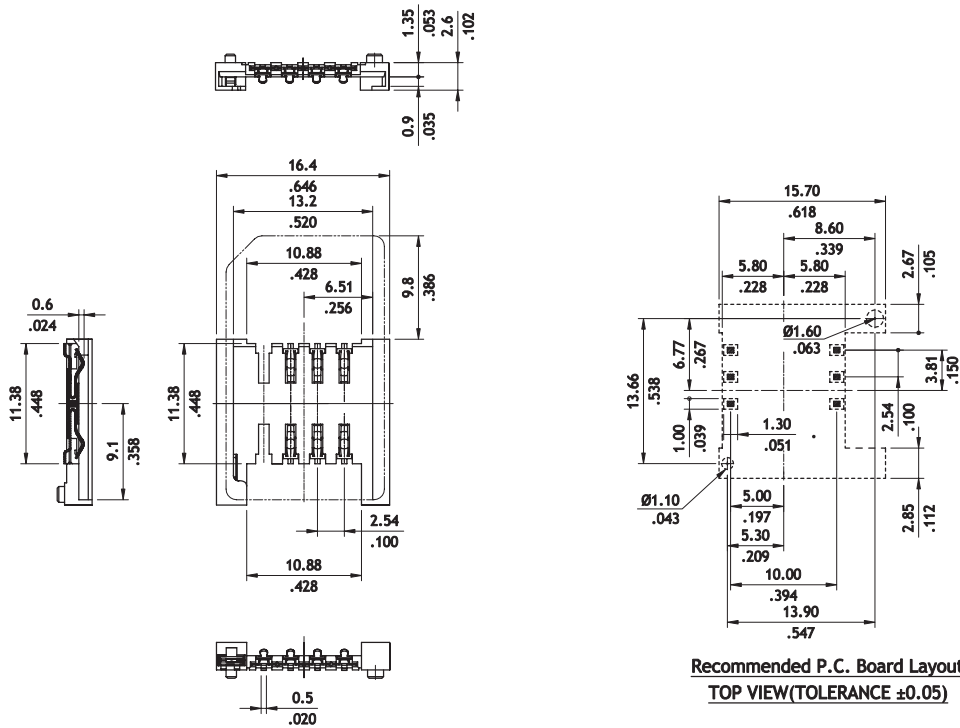
①	②	③	④	⑤	⑥
CS 7 4	0 6 4	A	1	C	1

- ① Series No.
- ② No. of Circuits: 64
- ③ Plating Code:
A = Selective Gold flash over Nickel
- ④ Color : 1 = Black
- ⑤ Tail Style : C= PCB Clip Type
- ⑥ 1 =With Baffle & Solder tail Contact position 3.0mm

CSM1 Series H=3.3mm Dual Type SIM Card Connectors

- ⊙ Dual type Sim card connector
- ⊙ Height: 3.3mm

RoHS Compliant



Ordering Code

①	②	③	④	⑤	⑥
CSM1	06	A	1	A	D0

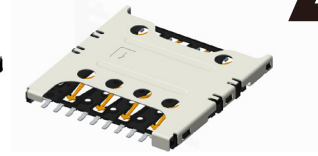
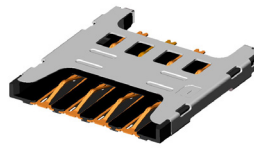
- ① Series No.
- ② No. of contacts : 06
- ③ Plating option:
A = Selective Gold flash over Nickel
- ④ Insulator Color : 1=Black
- ⑤ A: H=3.3mm
- ⑥ D0= Dual type

CSM2 Series Micro SIM Card Connectors

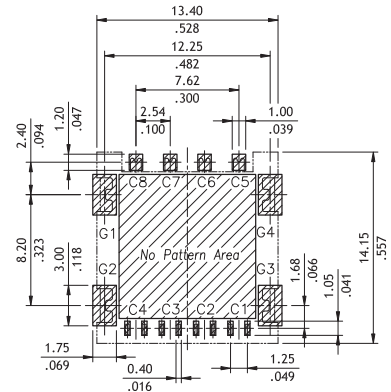
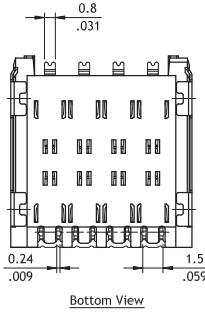
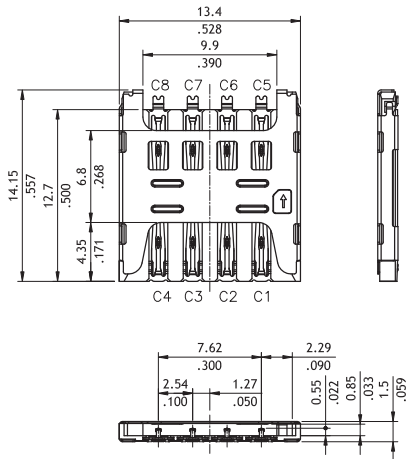
- ⊙ Micro Sim card connector
- ⊙ Height: 1.5/1.18mm

NEW

RoHS Compliant

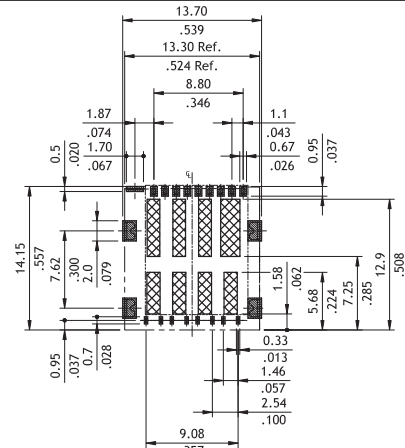
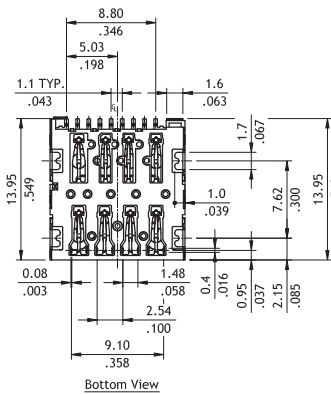
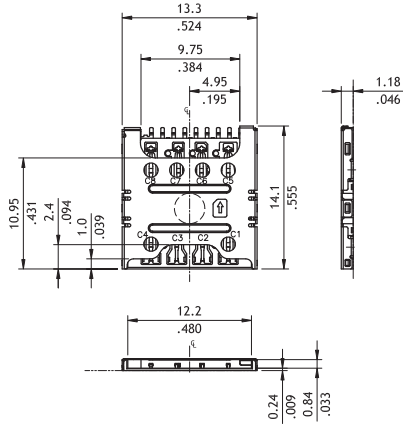


P/N CSM20821A00



Recommended P.C. Board Layout
General Tolerance: ±0.05

P/N CSM20821B00



Recommended P.C. Board Layout
General Tolerance: ±0.05

Ordering Code

① CSM2 ② 08 ③ 2 ④ 1 ⑤ A00

- ① Series No.
- ② No. of contacts : 08
- ③ Plating option:
2 = Gold flash over Nickel

- ④ Insulator Color : 1=Black
- ⑤ A00: H=1.5 mm
B00: H=1.18 mm

CS

SOCKETS

D-Sub Shell Size

D-SUB CONNECTOR	HIGH DENSITY D-SUB CONNECTOR		SHELL SIZE
9 Positions	15 Positions	E	
15 Positions	26 Positions	A	
25 Positions	44 Positions	B	
37 Positions	62 Positions	C	
50 Positions	78 Positions	D	

D-Sub Printed Circuits Board Hole Patterns

<p>9 Positions</p>	<p>25 Positions</p>
<p>15 Positions</p>	<p>37 Positions</p>
<p>50 Positions</p>	

High Density D-Sub Straight DIP Solder Printed Circuits Board Hole Patterns

	Plug	Receptacle
15 Positions		
26 Positions		
44 Positions		
62 Positions		

High Density D-Sub Right Angle DIP Solder Printed Circuits Board Hole Patterns

	Plug	Receptacle
15 Positions		
26 Positions		
44 Positions		
62 Positions		

CD

D-SUB CONNECTORS

D-Sub Accessories

<p>P/N : CDHWE123000</p> <table border="1"> <thead> <tr> <th>Nº</th> <th>PART NO.</th> <th>DESCRIPTION</th> </tr> </thead> <tbody> <tr> <td>1</td> <td>CDHWE105S00</td> <td>ATTACHED SCREW</td> </tr> <tr> <td>2</td> <td>CDHW0001W00</td> <td>FLAT WASHER</td> </tr> <tr> <td>3</td> <td>CDHW0002W00</td> <td>SPLIT WASHER</td> </tr> <tr> <td>4</td> <td>CDHWE101N00</td> <td>NUT</td> </tr> </tbody> </table>	Nº	PART NO.	DESCRIPTION	1	CDHWE105S00	ATTACHED SCREW	2	CDHW0001W00	FLAT WASHER	3	CDHW0002W00	SPLIT WASHER	4	CDHWE101N00	NUT	<p>P/N : CDHWE124000</p> <table border="1"> <thead> <tr> <th>Nº</th> <th>PART NO.</th> <th>DESCRIPTION</th> </tr> </thead> <tbody> <tr> <td>1</td> <td>CDHWE106S00</td> <td>ATTACHED SCREW</td> </tr> <tr> <td>2</td> <td>CDHWE101N00</td> <td>NUT</td> </tr> </tbody> </table>	Nº	PART NO.	DESCRIPTION	1	CDHWE106S00	ATTACHED SCREW	2	CDHWE101N00	NUT	<p>P/N : CDHWE128000</p>
Nº	PART NO.	DESCRIPTION																								
1	CDHWE105S00	ATTACHED SCREW																								
2	CDHW0001W00	FLAT WASHER																								
3	CDHW0002W00	SPLIT WASHER																								
4	CDHWE101N00	NUT																								
Nº	PART NO.	DESCRIPTION																								
1	CDHWE106S00	ATTACHED SCREW																								
2	CDHWE101N00	NUT																								
<p>P/N : CDHWE110S00</p>	<p>P/N : CDHWE***S00</p> <table border="1"> <thead> <tr> <th>Part No.</th> <th>Dimension A</th> </tr> </thead> <tbody> <tr> <td>CDHWE101S00</td> <td>11.8(.465)</td> </tr> <tr> <td>CDHWE105S00</td> <td>12.7(.500)</td> </tr> <tr> <td>CDHWE106S00</td> <td>10.0(.394)</td> </tr> <tr> <td>CDHWE107S00</td> <td>17.8(.701)</td> </tr> </tbody> </table>	Part No.	Dimension A	CDHWE101S00	11.8(.465)	CDHWE105S00	12.7(.500)	CDHWE106S00	10.0(.394)	CDHWE107S00	17.8(.701)															
Part No.	Dimension A																									
CDHWE101S00	11.8(.465)																									
CDHWE105S00	12.7(.500)																									
CDHWE106S00	10.0(.394)																									
CDHWE107S00	17.8(.701)																									

D-Sub PCB Mounting Options

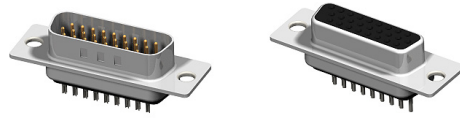
<p>O Riveted front and rear shell with $\varnothing 3.05\text{mm}$ Hole</p>	<p>C Riveted #4-40 UNC open nuts on rear shell DIM. L = 4.0mm (Standard)</p>	<p>D Riveted #4-40 UNC close ground stand-off on rear shell</p> <p>Stamped contact (DIM. L = 6.0 mm) Machined contact (DIM. L = 7.4 mm)</p>
<p>A Riveted #4-40 UNC close nuts on front shell DIM. L = 5.8mm (Standard)</p>	<p>F Riveted ground hooks with #4-40 UNC open</p>	<p>I Riveted ground tabs with #4-40 UNC open</p> <p>Stamped contact Machined contact</p>
<p>B Riveted #4-40 UNC open nuts on front shell DIM. L = 4.0mm (Standard)</p>	<p>G Riveted ground hooks pre-loaded #4-40 UNC Hex screws</p>	<p>J Assembly ground hooks by #4-40 UNC Hex screws</p> <p>Stamped contact Machined contact</p>

CD

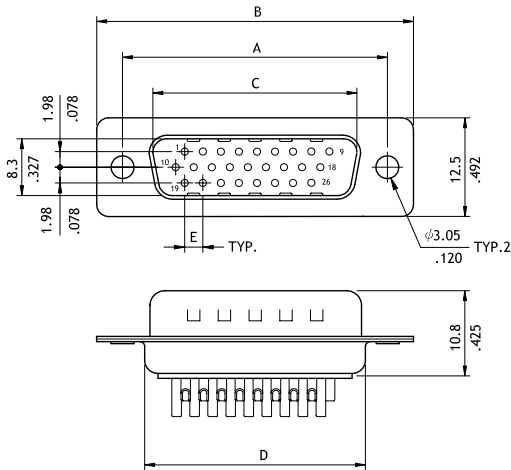
D-SUB CONNECTORS

CD01 Series High Density Solder D-Sub

- ⊙ Mate with high density D-Sub
- ⊙ With metal shell and solder contacts
- ⊙ Riveted Hex nuts options available

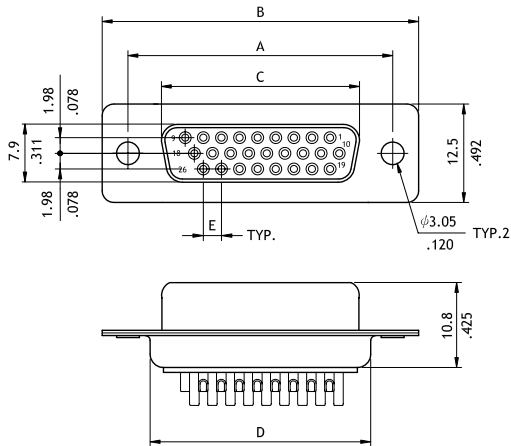
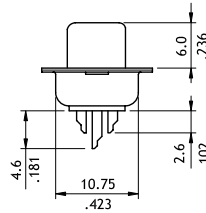


RoHS Compliant



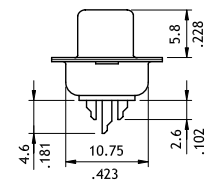
Plug Connector

Circuits	Dimension				
	A	B	C	D	E
15	25.0(.984)	30.8(1.213)	16.92(.666)	19.3(.760)	2.29(.090)
26	33.32(1.312)	39.2(1.543)	25.25(.994)	27.7(1.091)	2.29(.090)
44	47.04(1.852)	53.1(2.091)	38.96(1.534)	41.1(1.618)	2.29(.090)
62	63.5(2.500)	69.4(2.732)	55.42(2.182)	57.3(2.256)	2.41(.095)



Receptacle connector

Circuits	Dimension				
	A	B	C	D	E
15	25.0(.984)	30.8(1.213)	16.3(.642)	19.2(.756)	2.29(.090)
26	33.32(1.312)	39.2(1.543)	24.6(.969)	27.7(1.091)	2.29(.090)
44	47.04(1.852)	53.1(2.091)	38.3(1.508)	41.1(1.618)	2.29(.090)
62	63.5(2.500)	69.4(2.732)	54.8(2.157)	57.3(2.256)	2.41(0.95)



Ordering Code

① ② ③ ④ ⑤ ⑥
CD01 15 P A 1 00

- ① Series No.
- ② No. of Circuits: 15, 26, 44, 62
- ③ Connector Type: P = Plug
S = Receptacle
- ④ Plating Code:
A = Selective Gold flash over Nickel
*Optional plating available but MOQ requested
- ⑤ Insulator Color: 1 = Black
*Optional insulator color consult manufacturer

- ⑥ Other Options:
00 = With ϕ 3.05mm holes on shell (Standard)
A0 = Riveted #4-40 UNC Close nuts on Front shell
B0 = Riveted #4-40 UNC Open nuts on Front shell
C0 = Riveted #4-40 UNC Open nuts on Rear shell
*Special options consult manufacturer

CD

D-SUB CONNECTORS

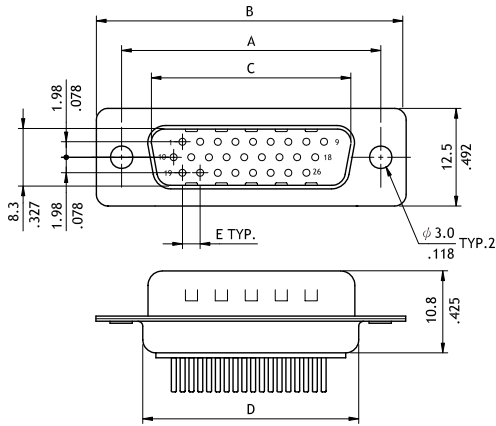
CD03 Series High Density Straight DIP Solder D-Sub

- ⊙ Mate with high density D-Sub
- ⊙ With metal shell and solder contacts
- ⊙ Optional riveted Hex nuts or ground stand-off

RoHS Compliant

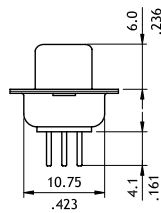


P/N CD03**PA1**

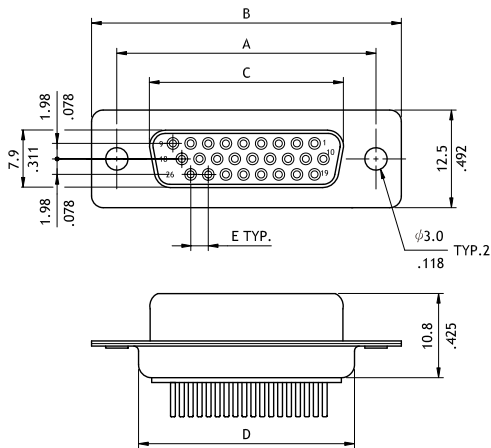


Plug Connector

Circuits	Dimension				
	A	B	C	D	E
15	25.0(.984)	30.8(1.213)	16.92(.666)	19.2(.756)	2.29(.090)
26	33.32(1.312)	39.2(1.543)	25.25(.994)	27.7(1.091)	2.29(.090)
44	47.04(1.852)	53.1(2.091)	38.96(1.534)	41.1(1.618)	2.29(.090)
62	63.5(2.500)	69.4(2.732)	55.42(2.182)	57.3(2.256)	2.41(.095)

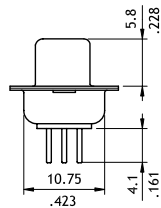


P/N CD03**SA1**



Receptacle connector

Circuits	Dimension				
	A	B	C	D	E
15	25.0(.984)	30.8(1.213)	16.3(.642)	19.2(.756)	2.29(.090)
26	33.32(1.312)	39.2(1.543)	24.6(.969)	27.7(1.091)	2.29(.090)
44	47.04(1.852)	53.1(2.091)	38.3(1.508)	41.1(1.618)	2.29(.090)
62	63.5(2.500)	69.4(2.732)	54.8(2.157)	57.3(2.256)	2.41(.095)



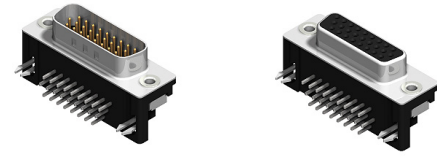
Ordering Code

① ② ③ ④ ⑤ ⑥
CD03 15 P A 1 00

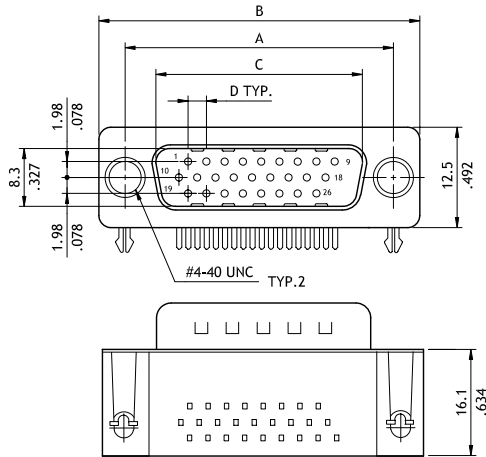
- ① Series No.
- ② No. of Circuits: 15, 26, 44, 62
- ③ Connector Type: P = Plug
S = Receptacle
- ④ Plating Code:
A = Selective Gold flash over Nickel
- ⑤ Insulator Color: 1 = Black
- ⑥ Other Options:
00 = With ϕ 3.05mm holes on shell (Standard)
B0 = Riveted #4-40 UNC Open nuts on Front shell
C0 = Riveted #4-40 UNC Open nuts on Rear shell
D0 = Riveted #4-40 UNC Ground stand-off on Rear shell
*Special options consult manufacturer

CD05 Series High Density Right Angle DIP Solder D-Sub

- ⊙ Mate with high density D-Sub
- ⊙ With metal shell and solder contacts
- ⊙ Riveted ground hooks or tab options

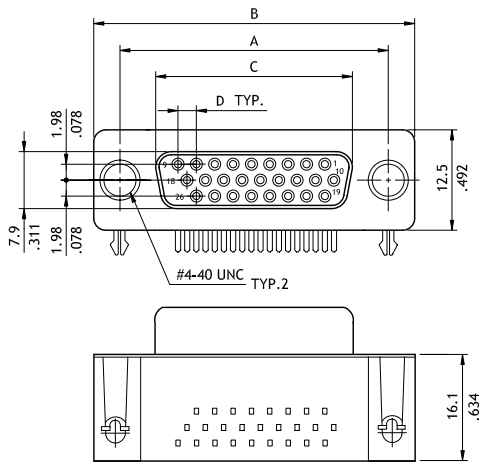
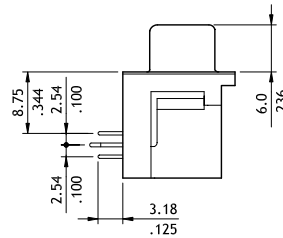


RoHS Compliant  



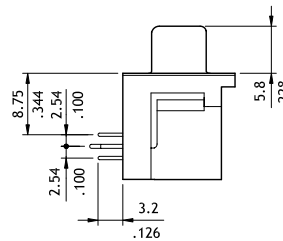
Plug Connector

Circuits	Dimension			
	A	B	C	D
15	25.0(.984)	30.8(1.213)	16.92(.666)	2.29(.090)
26	33.32(1.312)	39.2(1.543)	25.25(.994)	2.29(.090)
44	47.04(1.852)	53.1(2.091)	38.96(1.534)	2.29(.090)



Receptacle connector

Circuits	Dimension			
	A	B	C	D
15	25.0(.984)	30.8(1.213)	16.3(.642)	2.29(.090)
26	33.32(1.312)	39.2(1.543)	24.6(.969)	2.29(.090)
44	47.04(1.852)	53.1(2.091)	38.3(1.508)	2.29(.090)



Ordering Code

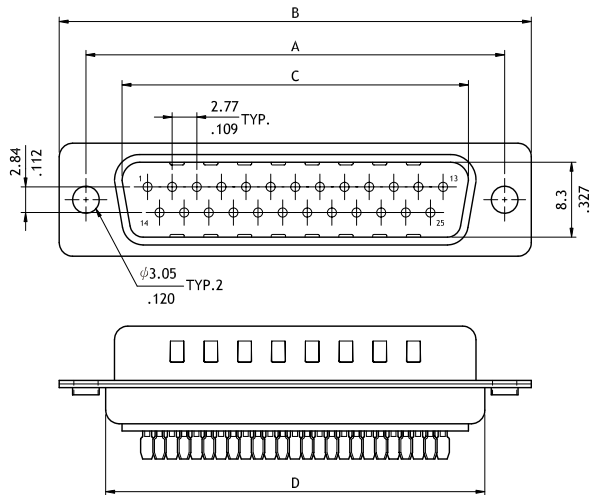
① ② ③ ④ ⑤ ⑥
CD05 15 P 2 1 F0

- ① Series No.
- ② No. of Circuits: 15, 26, 44
- ③ Connector Type: P = Plug , S = Receptacle
- ④ Plating Code:
 2 = Gold flash over Nickel
 A = Selective Gold flash over Nickel
 *Optional plating available but MOQ requested
- ⑤ Insulator Color: 1 = Black
 *Optional insulator color consult manufacturer

- ⑥ Other Options:
 F0 = Riveted ground hooks with #4-40 UNC Open (Standard)
 I0 = Riveted ground tabs thread #4-40 UNC Open and ground tabs with ϕ 3.2mm holes
 J0 = Assmbley ground hooks by #4-40 UNC Hex screws
 G0 = Riveted ground hooks pre-loaded #4-40 UNC Hex screws
 *Special options consult manufacturer

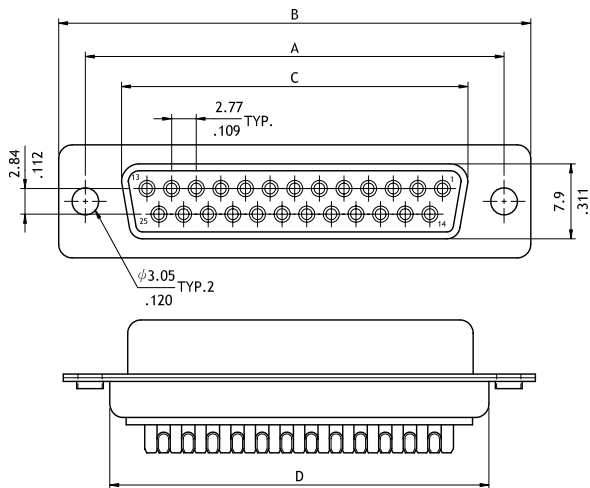
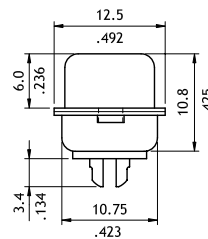
CD51 Series Solder D-Sub

- ⊙ Mate with standard D-Sub
- ⊙ With metal shell and solder contacts
- ⊙ Riveted Hex nuts options available



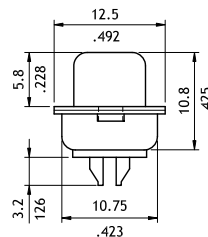
Plug Connector

Circuits	Dimension			
	A	B	C	D
9	25.0(.984)	30.8(1.213)	16.92(.666)	19.2(.756)
15	33.32(1.312)	39.2(1.543)	25.25(.994)	27.7(1.091)
25	47.04(1.852)	53.1(2.091)	38.96(1.534)	41.1(1.618)
37	63.5(2.500)	69.4(2.732)	55.42(2.182)	57.3(2.256)



Receptacle connector

Circuits	Dimension			
	A	B	C	D
9	25.0(.984)	30.8(1.213)	16.3(.642)	19.2(.756)
15	33.32(1.312)	39.2(1.543)	24.6(.969)	27.7(1.091)
25	47.04(1.852)	53.1(2.091)	38.3(1.508)	41.1(1.618)
37	63.5(2.500)	69.4(2.732)	54.8(2.157)	57.3(2.256)



Ordering Code

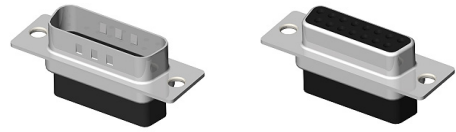
① CD 51 ② 25 ③ P ④ A ⑤ 1 ⑥ 00

- ① Series No.
- ② No. of Circuits : 09, 15, 25, 37
- ③ Connector Type: P = Plug
S = Receptacle
- ④ Plating Code :
A = Selective Gold flash over Nickel
*Optional plating available but MOQ requested
- ⑤ Insulator Color: 1 = Black
*Optional insulator color consult manufacturer

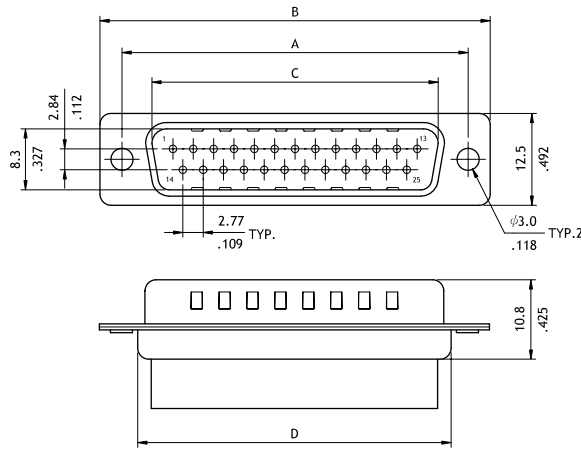
- ⑥ Other Options:
00 = With ϕ 3.05mm holes on shell (Standard)
A0 = Riveted #4-40 UNC Close nuts on Front shell
B0 = Riveted #4-40 UNC Open nuts on Front shell
C0 = Riveted #4-40 UNC Open nuts on Rear shell
*Special options consult manufacturer

CD52 Series Crimp Clip D-Sub

- ⊙ Mate with standard D-Sub
- ⊙ Riveted Hex nuts options available

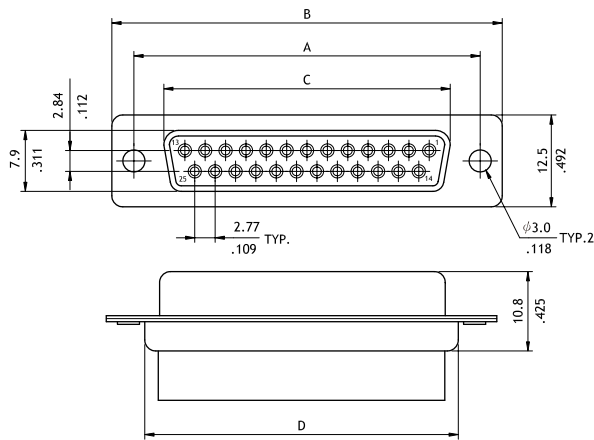
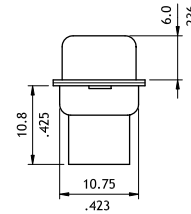


RoHS Compliant



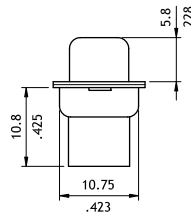
Plug Connector

Circuits	Dimension			
	A	B	C	D
9	25.0(.984)	30.8(1.213)	16.92(.666)	19.2(.756)
15	33.32(1.312)	39.2(1.543)	25.25(.994)	27.7(1.091)
25	47.04(1.852)	53.1(2.091)	38.96(1.534)	41.1(1.618)
37	63.5(2.500)	69.4(2.732)	55.42(2.182)	57.3(2.256)



Receptacle connector

Circuits	Dimension			
	A	B	C	D
9	25.0(.984)	30.8(1.213)	16.3(.642)	19.2(.756)
15	33.32(1.312)	39.2(1.543)	24.6(.969)	27.7(1.091)
25	47.04(1.852)	53.1(2.091)	38.3(1.508)	41.1(1.618)
37	63.5(2.500)	69.4(2.732)	54.8(2.157)	57.3(2.256)



Ordering Code

① **CD52** ② **25** ③ **P0** ④ **1** ⑤ **00**

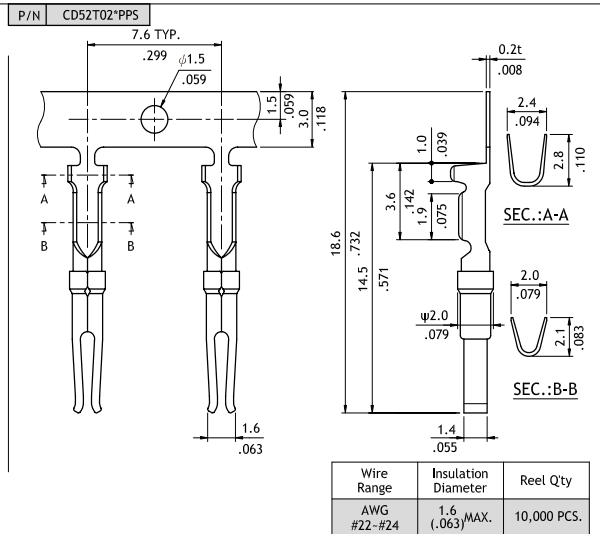
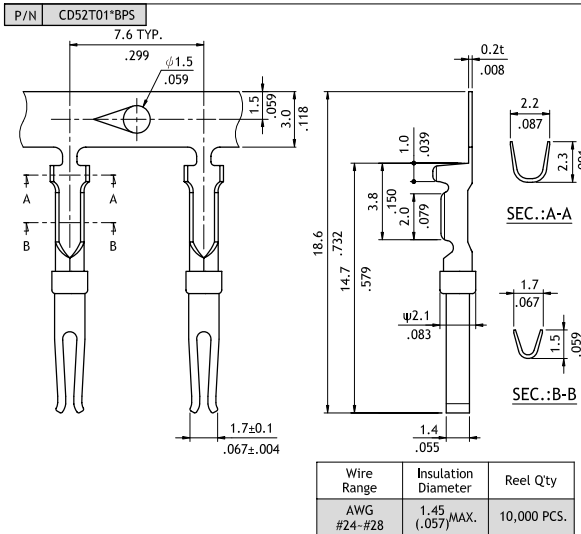
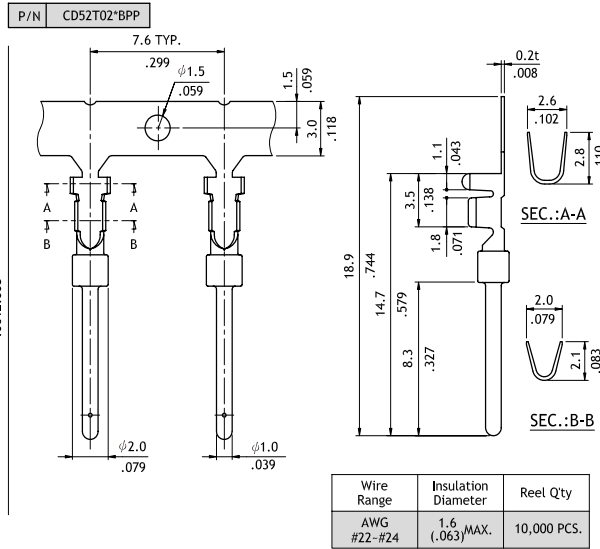
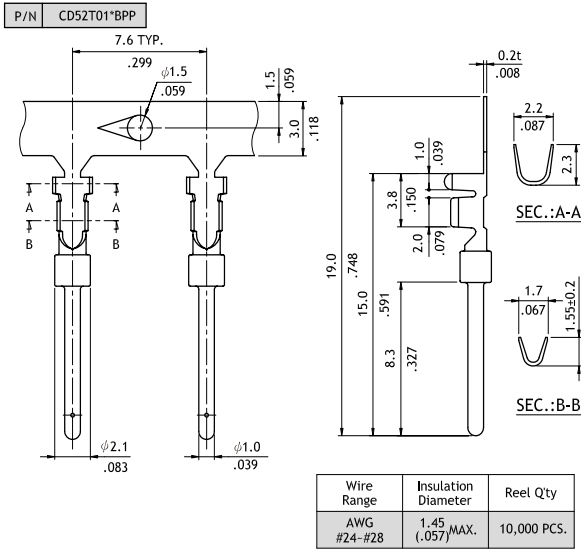
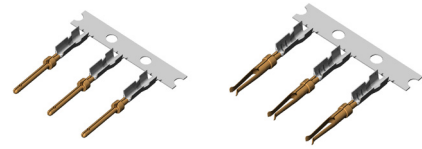
- ① Series No.
- ② No. of Circuits: 09, 15, 25, 37
- ③ Connector Type: P0 = Plug
S0 = Receptacle
- ④ Insulator Color: 1 = Black
*Optional insulator color consult manufacturer

- ⑤ Other Options:
00 = With ϕ 3.05mm holes on shell (Standard)
A0 = Riveted #4-40 UNC Close nuts on Front shell
B0 = Riveted #4-40 UNC Open nuts on Front shell
C0 = Riveted #4-40 UNC Open nuts on Rear shell
*Special options consult manufacturer

CD52 Series Crimp Clip Terminal

- Mate with Cvilux CD52 D-Sub
- Low insertion force

RoHS Compliant



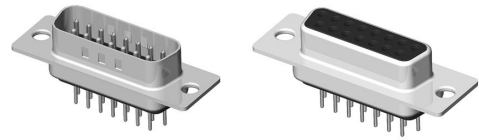
Ordering Code

① CD52 ② T01 ③ A ④ B ⑤ PP

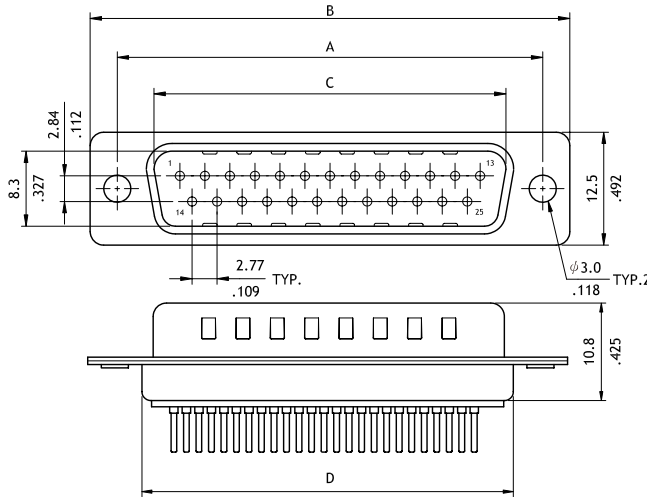
- ① Series No.
- ② Terminal Style:
T01 = for AWG #24 ~ #28
T02 = for AWG #22 ~ #24
- ③ Plating Code:
A = Selective Gold flash over Nickel
*Optional plating available but MOQ requested
- ④ Material: B = Brass (Plug)
P = Phosphor Bronze (Receptacle)
- ⑤ Type: PP = Plug Terminal
PS = Receptacle Terminal

CD53 Series Straight DIP Solder D-Sub

- ⊙ Mate with standard D-Sub
- ⊙ With metal shell and solder contacts
- ⊙ Riveted Hex nuts options available

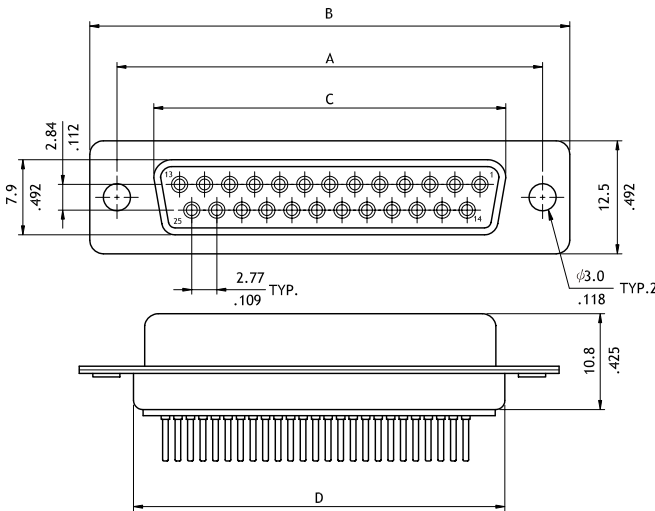
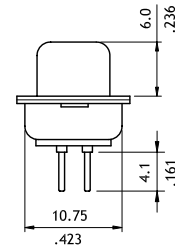


RoHS Compliant



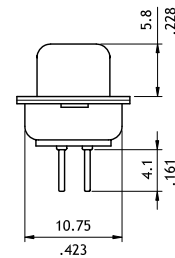
Plug Connector

Circuits	Dimension			
	A	B	C	D
9	25.0(.984)	30.8(1.213)	16.92(.666)	19.2(.756)
15	33.32(1.312)	39.2(1.543)	25.25(.994)	27.7(1.091)
25	47.04(1.852)	53.1(2.091)	38.96(1.534)	41.1(1.618)
37	63.5(2.500)	69.4(2.732)	55.42(2.182)	57.3(2.256)



Receptacle connector

Circuits	Dimension			
	A	B	C	D
9	25.0(.984)	30.8(1.213)	16.3(.642)	19.2(.756)
15	33.32(1.312)	39.2(1.543)	24.6(.969)	27.7(1.091)
25	47.04(1.852)	53.1(2.091)	38.3(1.508)	41.1(1.618)
37	63.5(2.500)	69.4(2.732)	54.8(2.157)	57.3(2.256)



Ordering Code

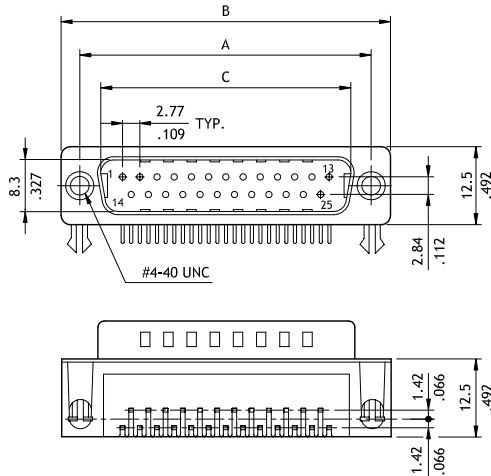
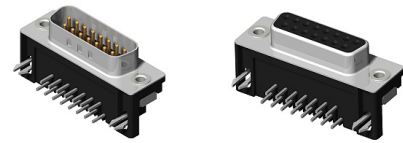
① **CD53** ② **25** ③ **P** ④ **2** ⑤ **1** ⑥ **00**

- ① Series No.
- ② No. of Circuits: 09, 15, 25, 37
- ③ Connector Type:
P = Plug (Male) S = Receptacle (Female)
- ④ Plating Code:
2 = Gold flash over Nickel
A = Selective Gold flash over Nickel
*Optional plating available but MOQ requested

- ⑤ Insulator Color: 1 = Black
*Optional insulator color consult manufacturer
- ⑥ Other Options:
00 = With ϕ 3.05mm holes on shell (Standard)
B0 = Riveted #4-40 UNC Open nuts on Front shell
C0 = Riveted #4-40 UNC Open nuts on Rear shell
D0 = Riveted #4-40 UNC Ground stand-off on Rear shell
*Special options consult manufacturer

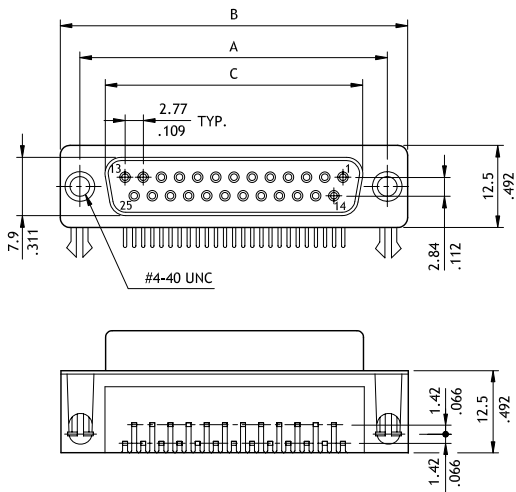
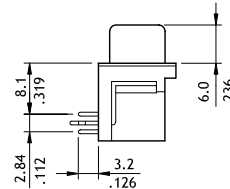
CD61 Series 8.10mm Footprint Right Angle DIP Solder D-Sub

- ⊙ Mate with standard D-Sub
- ⊙ With metal shell and solder contacts
- ⊙ Ground hooks or ground tabs available



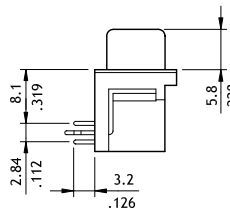
Plug Connector

Circuits	Dimension		
	A	B	C
9	25.0(.984)	30.8(1.213)	16.92(.666)
15	33.32(1.312)	39.2(1.543)	25.25(.994)
25	47.04(1.852)	53.1(2.091)	38.96(1.534)
37	63.5(2.500)	69.4(2.732)	55.42(2.182)



Receptacle connector

Circuits	Dimension		
	A	B	C
9	25.0(.984)	30.8(1.213)	16.3(.642)
15	33.32(1.312)	39.2(1.543)	24.6(.969)
25	47.04(1.852)	53.1(2.091)	38.3(1.508)
37	63.5(2.500)	69.4(2.732)	54.8(2.157)



Ordering Code

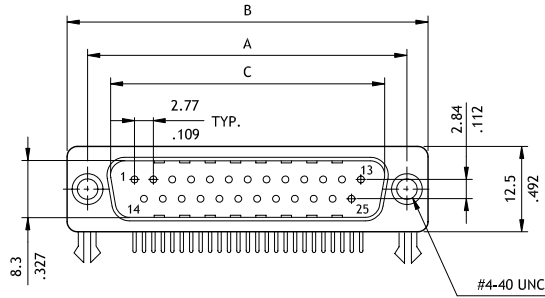
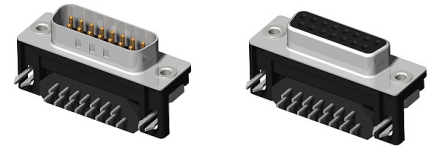
① ② ③ ④ ⑤ ⑥
CD6 1 25 P 2 1 F 0

- ① Series No.
- ② No. of Circuits: 09, 15, 25, 37
- ③ Connector Type: P = Plug
S = Receptacle
- ④ Plating Code:
2 = Gold flash over Nickel
A = Selective Gold flash over Nickel
*Optional plating available but MOQ requested
- ⑤ Insulator Color: 1 = Black
*Optional insulator color consult manufacturer
- ⑥ Other Options:
F0 = Riveted ground hooks with #4-40 UNC Open (Standard)
J0 = Assembly ground hooks by #4-40 UNC Hex screws
G0 = Riveted ground hooks pre-loaded #4-40 UNC Hex screws
*Special options consult manufacturer

CD62 Series 8.10mm Footprint EMI Right Angle DIP Solder D-Sub

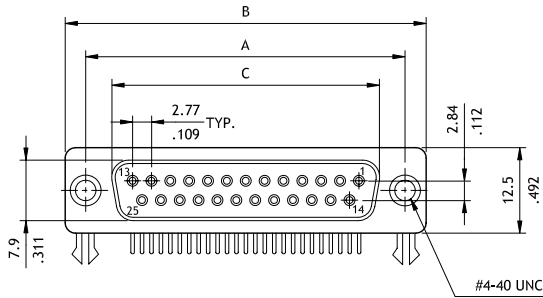
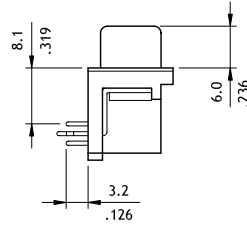
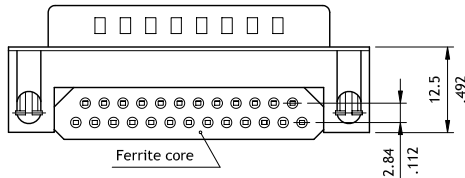
- ⊙ Mate with standard D-Sub
- ⊙ With ferrite core
- ⊙ Optional ground hooks or ground tabs

RoHS Compliant



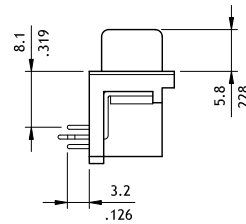
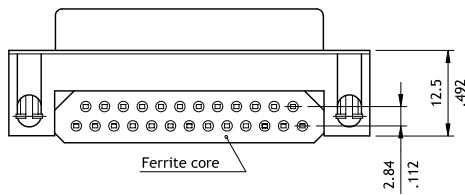
Plug Connector

Circuits	Dimension		
	A	B	C
9	25.0(.984)	30.8(1.213)	16.92(.666)
15	33.32(1.312)	39.2(1.543)	25.25(.994)
25	47.04(1.852)	53.1(2.087)	38.96(1.534)
37	63.5(2.500)	69.4(2.732)	55.42(2.182)



Receptacle connector

Circuits	Dimension		
	A	B	C
9	25.0(.984)	30.8(1.213)	16.3(.642)
15	33.32(1.312)	39.2(1.543)	24.6(.969)
25	47.04(1.852)	53.1(2.091)	38.3(1.508)
37	63.5(2.500)	69.4(2.732)	54.8(2.157)



Ordering Code

① ② ③ ④ ⑤ ⑥
CD62 25 P 2 1 F0

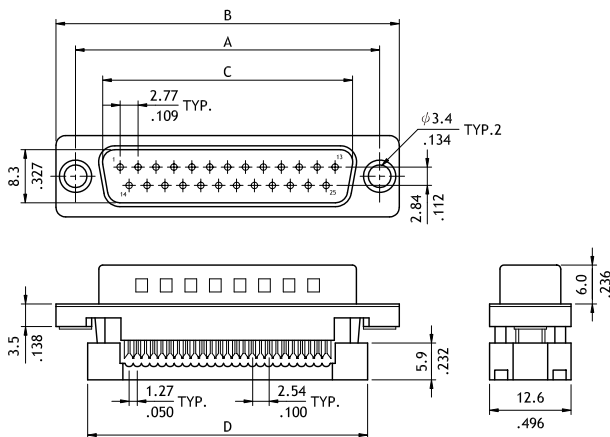
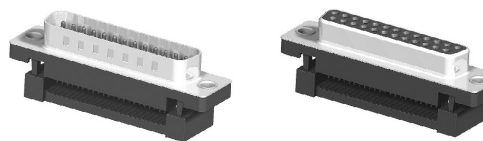
- ① Series No.
- ② No. of Circuits: 09, 15, 25, 37
- ③ Connector Type: P = Plug
S = Receptacle
- ④ Plating Code:
2 = Gold flash over Nickel
*Optional plating available but MOQ requested
- ⑤ Insulator Color: 1 = Black

- ⑥ Other Options:
F0 = Riveted ground hooks with #4-40 UNC Open (Standard)
I0 = Riveted ground tabs thread #4-40 UNC Open and ground tabs with ϕ 3.2mm holes
J0 = Assembly ground hooks by #4-40 UNC Hex screws
G0 = Riveted ground hooks pre-loaded #4-40 UNC Hex screws
*Special options consult manufacturer

CD91 Series Flat Cable - IDC D-Sub

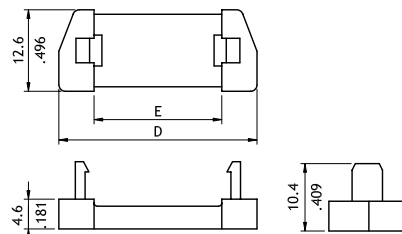
- ⊙ Mate with standard D-Sub and CW03
- ⊙ Flat Ribbon Cable
- ⊙ $\phi 3.4$ mm holes or riveted insert nuts available

RoHS Compliant

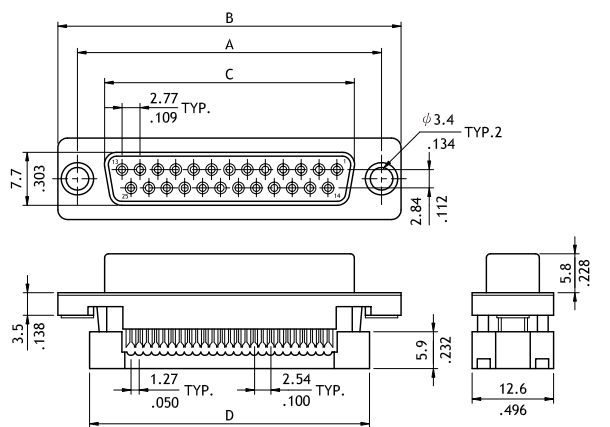


Plug Connector

Circuits	Dimension				
	A	B	C	D	E
9	25.0(.984)	30.8(1.213)	16.92(.666)	22.4(.882)	12.08(.476)
15	33.3(1.311)	39.2(1.543)	25.25(.994)	30.8(1.213)	19.7(.776)
25	47.1(1.854)	53.1(2.091)	38.96(1.534)	44.5(1.752)	32.4(1.276)
37	63.5(2.500)	69.4(2.732)	55.42(2.182)	61.4(2.417)	47.72(1.879)

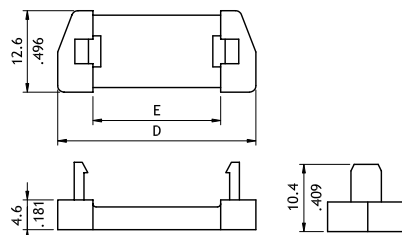


Strain relief



Receptacle connector

Circuits	Dimension				
	A	B	C	D	E
9	25.0(.984)	30.8(1.213)	16.3(.642)	22.4(.882)	12.08(.476)
15	33.3(1.311)	39.2(1.543)	24.6(.969)	30.8(1.213)	19.7(.776)
25	47.1(1.854)	53.1(2.091)	38.3(1.508)	44.5(1.752)	32.4(1.276)
37	63.5(2.500)	69.4(2.732)	54.8(2.157)	61.4(2.417)	47.72(1.879)



Strain relief

Ordering Code

① ② ③ ④ ⑤ ⑥
CD91 25 P A 1 S0

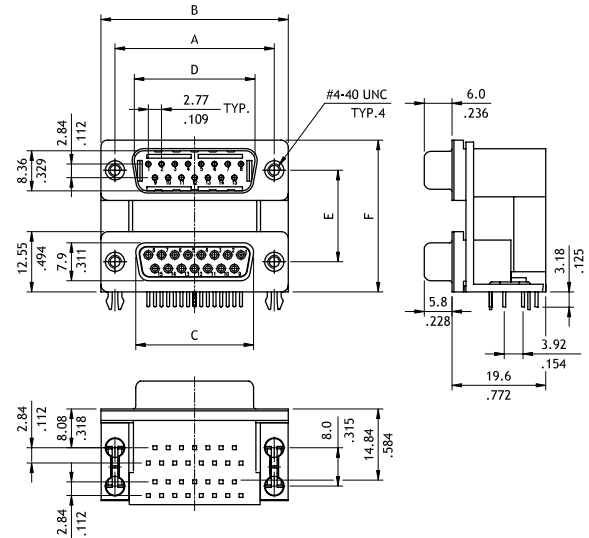
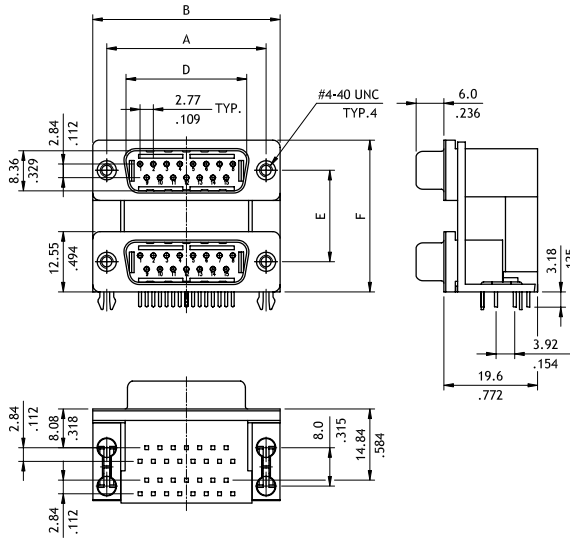
- ① Series No.
- ② No. of Circuits: 09, 15, 25, 37
- ③ Connector Type: P = Plug
S = Receptacle
- ④ Plating Code :A = Selective Gold flash over Nickel
*Optional plating available but MOQ requested
- ⑤ Insulator Color: 1 = Black
7 = Blue
- ⑥ Other Options:
S0 = Metal shell with $\phi 3.4$ mm holes with S/R (Standard)
S1 = Metal shell #4-40 UNC insert nuts with S/R
*Special options consult manufacturer

CD81 Series Stacked Right Angle DIP Solder D-Sub

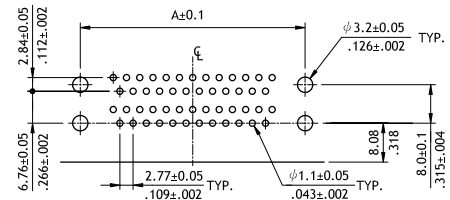
- ⊙ Mate with standard D-Sub
- ⊙ With metal shell and solder tails
- ⊙ Optional row spacing and position
- ⊙ In various pin configuration



RoHS Compliant



CVILUX P/N	Dimension				E	F
	A	B	D			
CD81V1P**A*	24.99(.984)	30.81(1.213)	16.92(.666)			
CD81V2P**A*	33.32(1.312)	39.19(1.543)	25.25(.994)	15.88(.625)	28.43(1.119)	
CD81V3P**A*	47.04(1.852)	53.04(2.088)	38.96(1.534)			
CD81V7P**A*	63.50(2.500)	69.32(2.729)	55.42(2.182)			
CD81V1P**B*	24.99(.984)	30.81(1.213)	16.92(.666)			
CD81V2P**B*	33.32(1.312)	39.19(1.543)	25.25(.994)	19.05(.750)	31.60(1.244)	
CD81V3P**B*	47.04(1.852)	53.04(2.088)	38.96(1.534)			
CD81V7P**B*	63.50(2.500)	69.32(2.729)	55.42(2.182)			
CD81V1P**C*	24.99(.984)	30.81(1.213)	16.92(.666)			
CD81V2P**C*	33.32(1.312)	39.19(1.543)	25.25(.994)	22.86(.900)	35.41(1.394)	
CD81V3P**C*	47.04(1.852)	53.04(2.088)	38.96(1.534)			
CD81V7P**C*	63.50(2.500)	69.32(2.729)	55.42(2.182)			



Recommended PCB Layout

Ordering Code

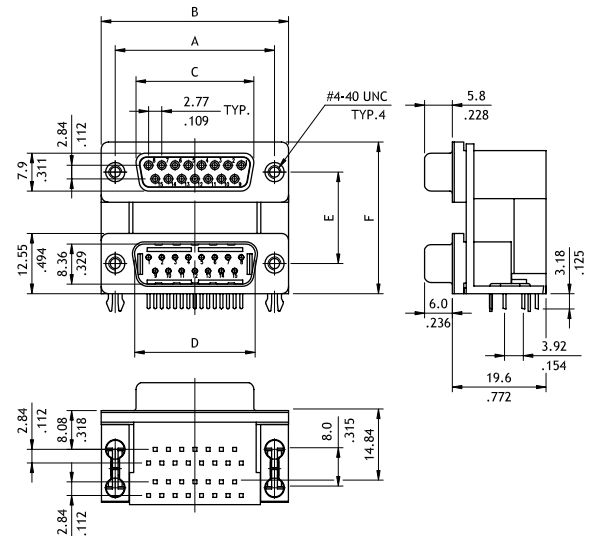
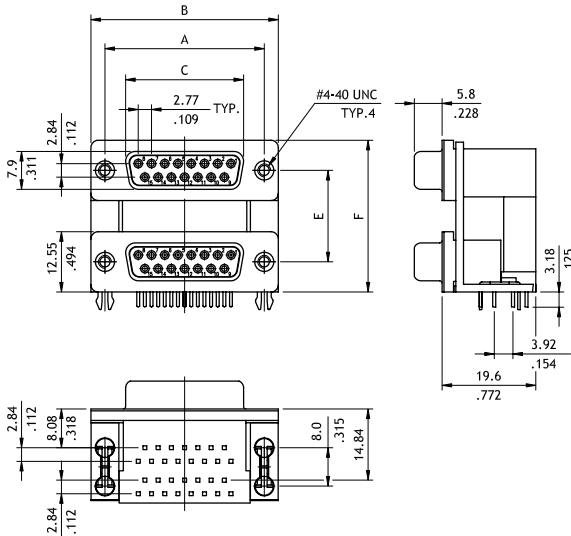
① CD 8 1 ② V 1 ③ PP ④ A ⑤ A ⑥ C

- ① Series No.
- ② Contacts configuration:
V1 = 9 to 9, V2 = 15 to 15
V3 = 25 to 25, V4 = 9 to 25
V5 = 25 to 9, V6 = 25 to 15
V7 = 37 to 37
- ③ Connector Type:
PP = Plug to plug
PS = Plug to receptacle
- ④ Plating Code: A = Selective Gold flash over Nickel
*Optional plating available but MOQ requested
- ⑤ Row Spacing: A: DIM.E = 15.88mm, B: DIM.E = 19.05mm
C: DIM.E = 22.86mm
- ⑥ Other Options:
C = Riveted ground hooks with #4-40 UNC open (Standard)
S = Riveted ground hooks pre-loaded #4-40 UNC Hex screws
*Special options consult manufacturer

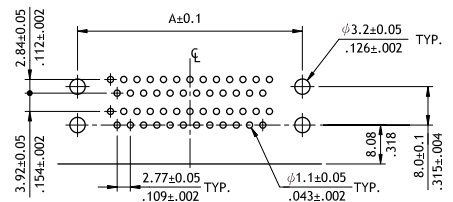
CD81 Series Stacked Right Angle DIP Solder D-Sub

- ⊙ Mate with standard D-Sub
- ⊙ With metal shell and solder tails
- ⊙ Optional row spacing and position
- ⊙ In various pin configuration

RoHS Compliant



CVILUX P/N	Dimension					
	A	B	C	D	E	F
CD81V1SS*A	24.99(.984)	30.81(1.213)	16.33(.643)	16.92(.666)		
CD81V2SS*A	33.32(1.312)	39.19(1.543)	24.66(.971)	25.25(.994)	15.88(.625)	28.43(1.119)
CD81V3SS*A	47.04(1.852)	53.04(2.088)	38.38(1.511)	38.96(1.534)		
CD81V7SS*A	63.50(2.500)	69.32(2.729)	54.84(2.159)	55.42(2.182)		
CD81V1SS*B	24.99(.984)	30.81(1.213)	16.33(.643)	16.92(.666)		
CD81V2SS*B	33.32(1.312)	39.19(1.543)	24.66(.971)	25.25(.994)	19.05(.750)	31.60(1.244)
CD81V3SS*B	47.04(1.852)	53.04(2.088)	38.38(1.511)	38.96(1.534)		
CD81V7SS*B	63.50(2.500)	69.32(2.729)	54.84(2.159)	55.42(2.182)		
CD81V1SS*C	24.99(.984)	30.81(1.213)	16.33(.643)	16.92(.666)		
CD81V2SS*C	33.32(1.312)	39.19(1.543)	24.66(.971)	25.25(.994)	22.86(.900)	35.41(1.394)
CD81V3SS*C	47.04(1.852)	53.04(2.088)	38.38(1.511)	38.96(1.534)		
CD81V7SS*C	63.50(2.500)	69.32(2.729)	54.84(2.159)	55.42(2.182)		



Recommended PCB Layout

Ordering Code

① CD 8 1 ② V 1 ③ S S ④ A ⑤ A ⑥ C

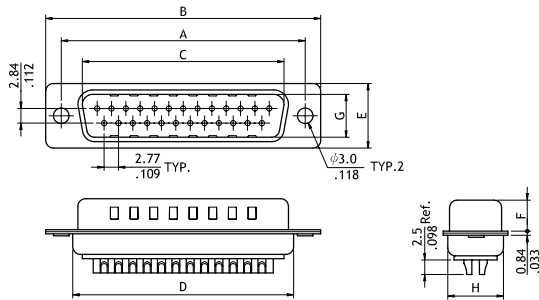
- ① Series No.
- ② Contacts configuration:
V1 = 9 to 9, V2 = 15 to 15
V3 = 25 to 25, V4 = 9 to 25
V5 = 25 to 9, V6 = 25 to 15
V7 = 37 to 37
- ③ Connector Type:
SS = Receptacle to receptacle
SP = Receptacle to plug
- ④ Plating Code: A = Selective Gold flash over Nickel
*Optional plating available but MOQ requested
- ⑤ Row Spacing: A: DIM.E = 15.88mm, B: DIM.E = 19.05mm
C: DIM.E = 22.86mm
- ⑥ Other Options:
C = Riveted ground hooks with #4-40 UNC open (Standard)
S = Riveted ground hooks pre-loaded #4-40 UNC Hex screws
*Special options consult manufacturer

CD71 Series Machined Contact Solder Cup D-Sub

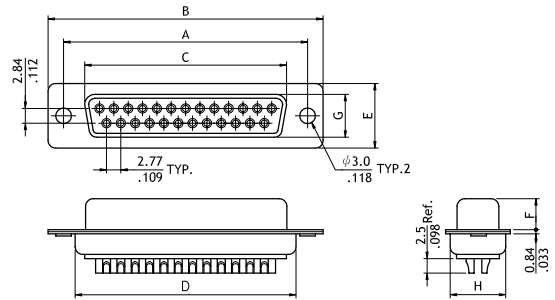
- ⊙ Mate with standard D-Sub
- ⊙ With metal shell and solder tails
- ⊙ Riveted Hex nuts or hardware accessories options available

RoHS Compliant  

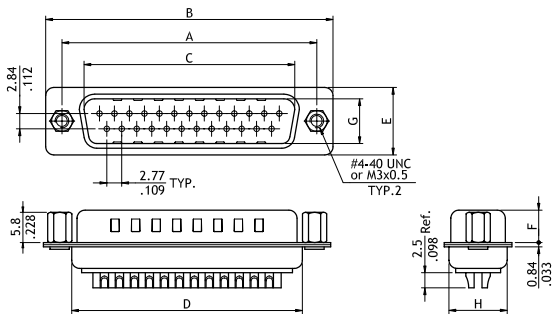
Plug Connector(00Type)



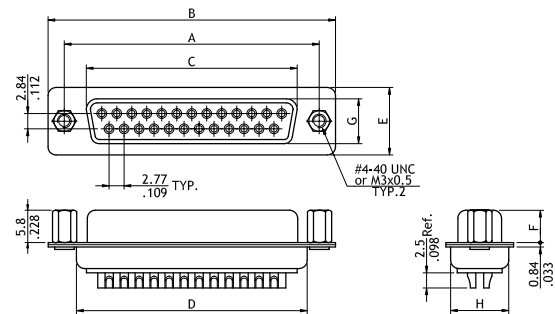
Receptacle Connector(00Type)



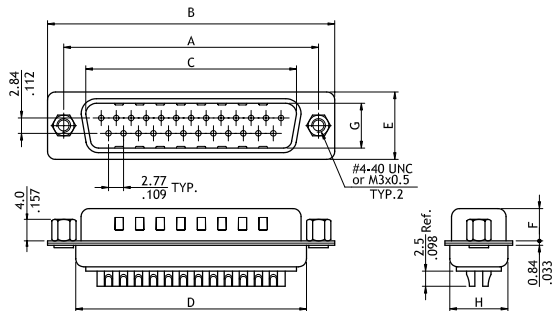
Plug Connector(A0/A1Type)



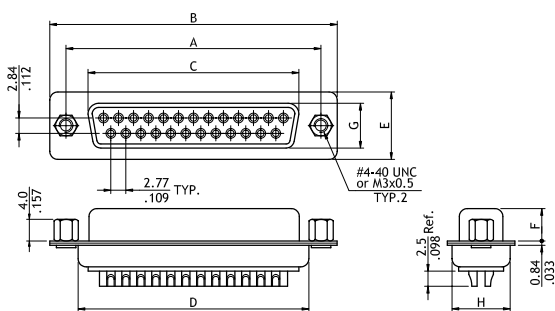
Receptacle Connector(A0/A1Type)



Plug Connector(B0/B1Type)



Receptacle Connector(B0/B1Type)

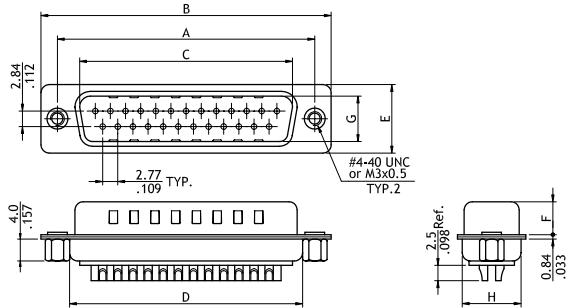


CD

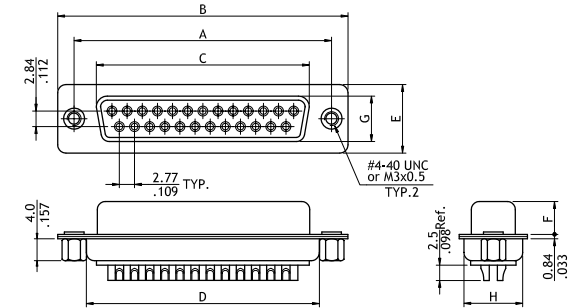
D-SUB CONNECTORS

CD71 Series Machined Contact Solder Cup D-Sub

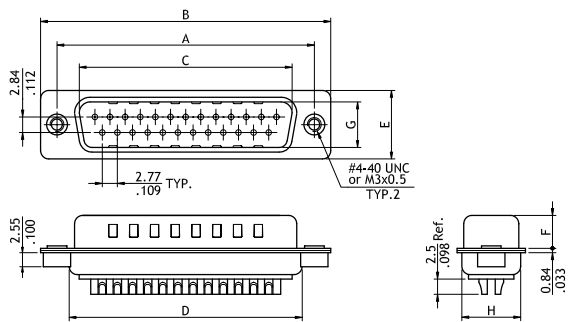
Plug Connector(C0/C1Type)



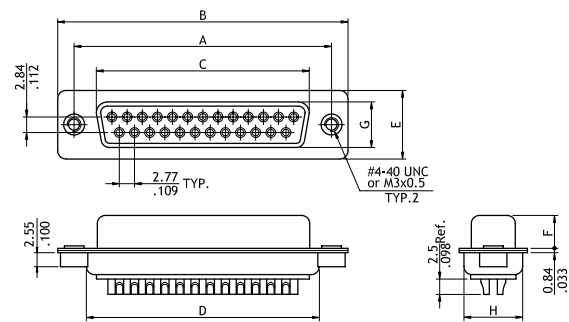
Receptacle Connector(C0/C1Type)



Plug Connector(K0/K1Type)



Receptacle Connector(K0/K1Type)



Circuits	Connector Type	Dimension							
		A	B	C	D	E	F	G	H
9	Plug	25.0(.984)	30.8(1.213)	16.92(.666)	19.2(.756)	12.5(.492)	6.0(.236)	8.3(.327)	10.75(.423)
	Receptacle	25.0(.984)	30.8(1.213)	16.30(.642)	19.2(.756)	12.5(.492)	5.8(.228)	7.9(.311)	10.75(.423)
15	Plug	33.32(1.312)	39.2(1.543)	25.25(.994)	27.6(1.087)	12.5(.492)	6.0(.236)	8.3(.327)	10.75(.423)
	Receptacle	33.32(1.312)	39.2(1.543)	24.6(.969)	27.6(1.087)	12.5(.492)	5.8(.228)	7.9(.311)	10.75(.423)
25	Plug	47.04(1.852)	53.1(2.091)	38.96(1.534)	41.1(1.618)	12.5(.492)	6.0(.236)	8.3(.327)	10.75(.423)
	Receptacle	47.04(1.852)	53.1(2.091)	38.3(1.508)	41.1(1.618)	12.5(.492)	5.8(.228)	7.9(.311)	10.75(.423)
37	Plug	63.5(2.500)	69.4(2.732)	55.42(2.182)	57.3(2.256)	12.5(.492)	6.0(.236)	8.3(.327)	10.75(.423)
	Receptacle	63.5(2.500)	69.4(2.732)	54.80(2.157)	57.3(2.256)	12.5(.492)	5.8(.228)	7.9(.311)	10.75(.423)
50	Plug	61.0(2.242)	69.4(2.732)	52.81(2.079)	55.0(2.169)	15.3(.602)	6.0(.236)	11.1(.473)	13.35(.526)
	Receptacle	61.0(2.242)	69.4(2.732)	52.2(2.055)	55.0(2.169)	15.3(.602)	5.8(.228)	10.9(.429)	13.35(.526)

Ordering Code

① ② ③ ④ ⑤ ⑥
CD71 25 P 2 1 00

- ① Series No.
- ② No. of Circuits: 09, 15, 25, 37, 50
- ③ Connector Type: P = Plug (Male)
S = Receptacle (Female)
- ④ Plating Code: 2 = Gold flash over Nickel
*Optional plating available but MOQ requested
- ⑤ Insulator Color: 1 = Black
*Optional insulator color consult manufacturer

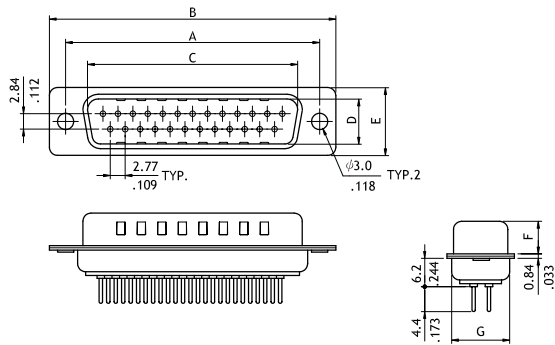
- ⑥ Other Options:
 00 = With ϕ 3.0mm holes on shell (Standard)
 A0 = Riveted #4-40 UNC Close nuts on Front shell
 A1 = Riveted M3x0.5 Close nuts on Front shell
 B0 = Riveted #4-40 UNC Open nuts on Front shell
 B1 = Riveted M3x0.5 Open nuts on Front shell
 C0 = Riveted #4-40 UNC Open nuts on Rear shell
 C1 = Riveted M3x0.5 Open nuts on Rear shell
 K0 = Riveted #4-40 UNC Open nuts on Rear shell
 K1 = Riveted M3x0.5 Open nuts on Rear shell
 *Special options consult manufacturer

CD72 Series Machined Contact Straight DIP Solder D-Sub

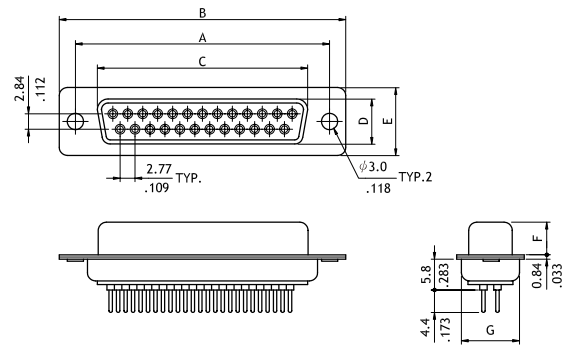
- ⊙ Mate with standard D-Sub
- ⊙ With metal shell and solder tails
- ⊙ Riveted Hex nuts or hardware accessories options available

RoHS Compliant 

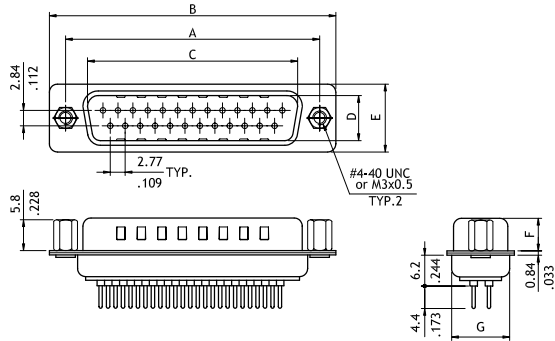
Plug Connector (00Type)



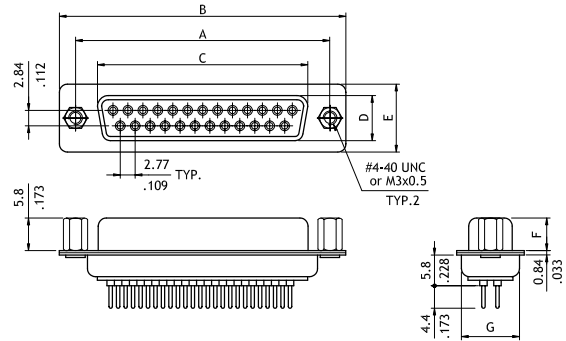
Receptacle Connector (00Type)



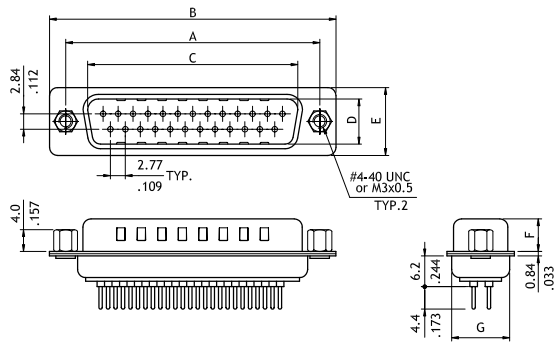
Plug Connector (A0/A1Type)



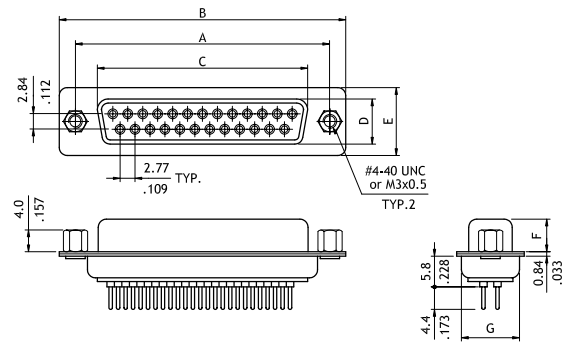
Receptacle Connector (A0/A1Type)



Plug Connector (B0/B1Type)



Receptacle Connector (B0/B1Type)

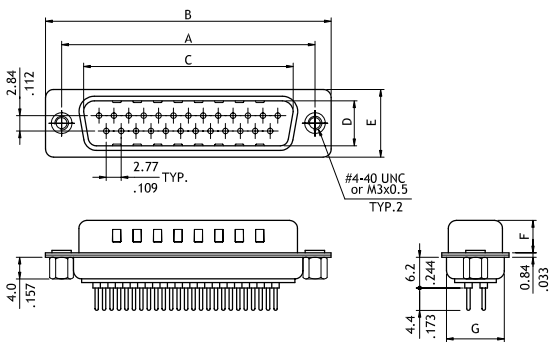


CD

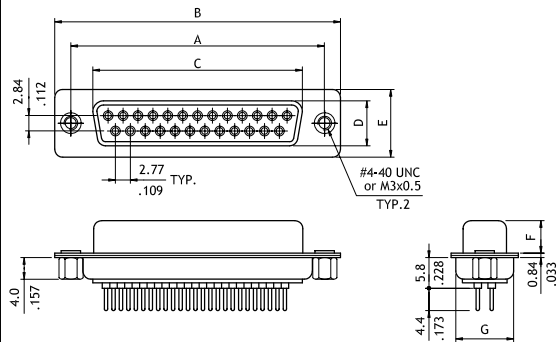
D-SUB CONNECTORS

CD72 Series Machined Contact Straight DIP Solder D-Sub

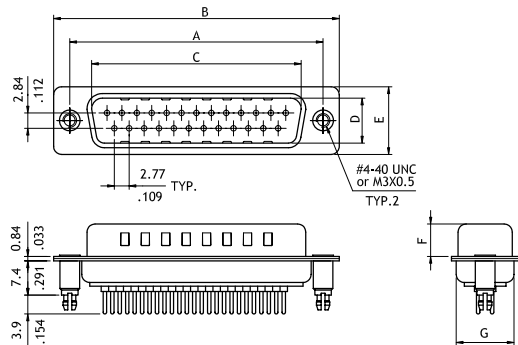
Plug Connector (C0/C1 Type)



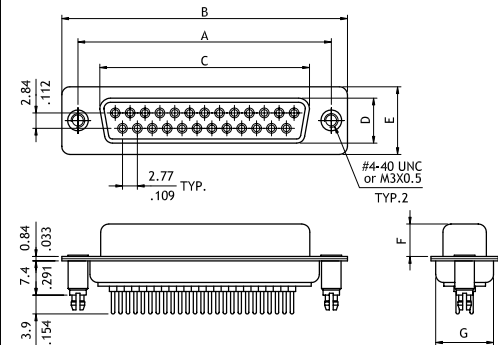
Receptacle Connector (C0/C1 Type)



Plug Connector (D3/D4 Type)



Receptacle Connector (D3/D4 Type)



Circuits	Connector Type	Dimension						
		A	B	C	D	E	F	G
9	Plug	25.0(.984)	30.8(1.213)	16.92(.666)	8.3(.327)	12.5(.492)	6.0(.236)	10.75(.423)
	Receptacle	25.0(.984)	30.8(1.213)	16.3(.642)	7.9(.311)	12.5(.492)	5.8(.228)	10.75(.423)
15	Plug	33.32(1.312)	39.2(1.543)	25.25(.994)	8.3(.327)	12.5(.492)	6.0(.236)	10.75(.423)
	Receptacle	33.32(1.312)	39.2(1.543)	24.6(.969)	7.9(.311)	12.5(.492)	5.8(.228)	10.75(.423)
25	Plug	47.04(1.852)	53.1(2.091)	38.96(1.534)	8.3(.327)	12.5(.492)	6.0(.236)	10.75(.423)
	Receptacle	47.04(1.852)	53.1(2.091)	38.3(1.508)	7.9(.311)	12.5(.492)	5.8(.228)	10.75(.423)
37	Plug	63.5(2.500)	69.4(2.732)	55.42(2.182)	8.3(.327)	12.5(.492)	6.0(.236)	10.75(.423)
	Receptacle	63.5(2.500)	69.4(2.732)	54.8(2.157)	7.9(.311)	12.5(.492)	5.8(.228)	10.75(.423)
50	Plug	61.0(2.402)	67.0(2.638)	52.8(2.079)	11.1(.473)	15.3(.602)	6.0(.236)	13.35(.526)
	Receptacle	61.0(2.402)	67.0(2.638)	52.2(2.055)	10.9(.429)	15.3(.602)	5.8(.228)	13.55(.526)

Ordering Code

① ② ③ ④ ⑤ ⑥
CD72 25 P 2 1 00

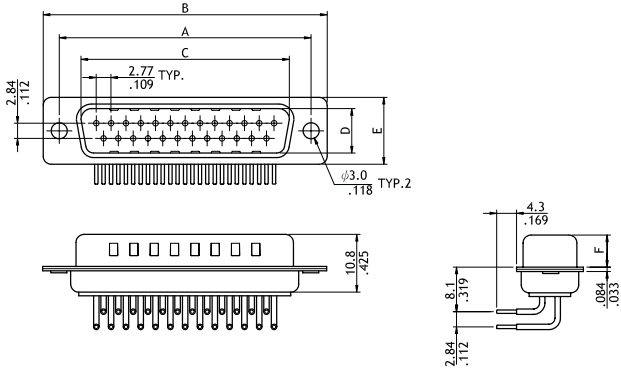
- ① Series No.
- ② No. of Circuits: 09, 15, 25, 37, 50
- ③ Connector Type: P = Plug (Male)
S = Receptacle (Female)
- ④ Plating Code: 2 = Gold flash over Nickel
*Optional plating available but MOQ requested
- ⑤ Insulator Color: 1 = Black
*Optional insulator color consult manufacturer
- ⑥ Other Options:
 00 = With ϕ 3.0mm holes on shell (Standard)
 A0 = Riveted #4-40 UNC Close nuts on Front shell
 A1 = Riveted M3x0.5 Close nuts on Front shell
 B0 = Riveted #4-40 UNC Open nuts on Front shell
 B1 = Riveted M3x0.5 Open nuts on Front shell
 C0 = Riveted #4-40 UNC Open nuts on Rear shell
 C1 = Riveted M3x0.5 Open nuts on Rear shell
 D3 = Riveted #4-40 UNC Close ground stand-off on Rear shell
 D4 = Riveted M3x0.5 Close ground stand-off on Rear shell
 *Special options consult manufacturer

CD73 Series 8.10mm Footprint Right Angle DIP Solder D-Sub

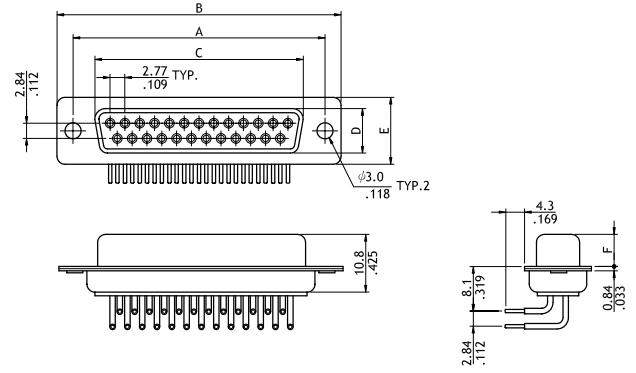
- ⊙ Machined contact with right angle solder tails
- ⊙ Mate with standard D-Sub
- ⊙ Metal shell and solder tails
- ⊙ Riveted Hex nuts or hardware accessories options available

RoHS Compliant 

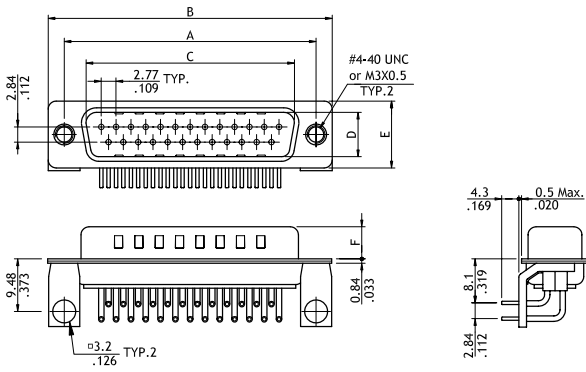
Plug Connector (00Type)



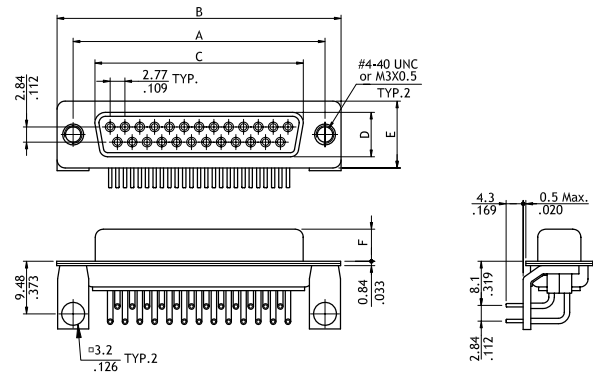
Receptacle Connector (00Type)



Plug Connector (I0/I2Type)



Receptacle Connector (I0/I2Type)

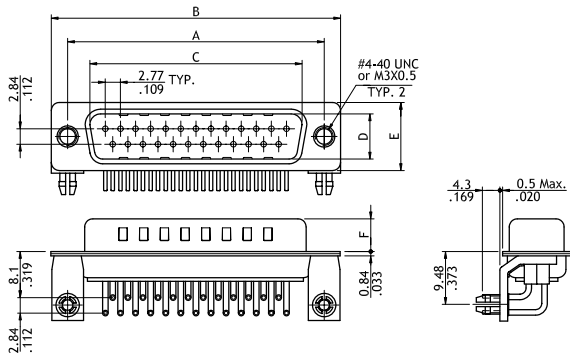


CD

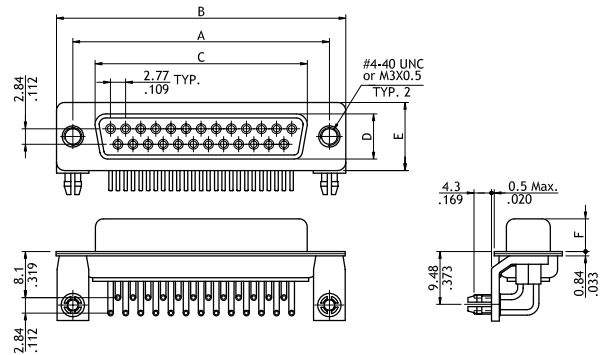
D-SUB CONNECTORS

CD73 Series 8.10mm Footprint Right Angle DIP Solder D-Sub

Plug Connector(I1/I3Type)



Receptacle Connector(I1/I3Type)



Circuits	Connector Type	Dimension					
		A	B	C	D	E	F
9	Plug	25.0(.984)	30.8(1.213)	16.92(.666)	8.3(.327)	12.5(.492)	6.0(.236)
	Receptacle	25.0(.984)	30.8(1.213)	16.3(.642)	7.9(.311)	12.5(.492)	5.8(.228)
15	Plug	33.32(1.312)	39.2(1.543)	25.25(.994)	8.3(.327)	12.5(.492)	6.0(.236)
	Receptacle	33.32(1.312)	39.2(1.543)	24.6(.969)	7.9(.311)	12.5(.492)	5.8(.228)
25	Plug	47.04(1.852)	53.1(2.091)	38.96(1.534)	8.3(.327)	12.5(.492)	6.0(.236)
	Receptacle	47.04(1.852)	53.1(2.091)	38.3(1.508)	7.9(.311)	12.5(.492)	5.8(.228)
37	Plug	63.5(2.500)	69.4(2.732)	55.42(2.182)	8.3(.327)	12.5(.492)	6.0(.236)
	Receptacle	63.5(2.500)	69.4(2.732)	54.8(2.157)	7.9(.311)	12.5(.492)	5.8(.228)

Ordering Code

① CD 7 3 ② 2 5 ③ P ④ 2 ⑤ 1 ⑥ 0 0

- ① Series No.
- ② No. of Circuits: 09, 15, 25, 37
- ③ Connector Type: P = Plug
S = Receptacle
- ④ Plating Code: 2 = Gold flash over Nickel
*Optional plating available but MOQ requested
- ⑤ Insulator Color: 1 = Black

- ⑥ Other Options:
00 =With ϕ 3.0mm holes on shell (Standard)
I 0 =Riveted ground tabs #4-40 UNC Open and ground tabs with ϕ 3.2mm holes
I2 =Riveted ground tabs thread M3x0.5 Open and ground tabs with ϕ 3.2mm holes
I1 =Riveted ground tabs #4-40 UNC Open and ground tabs with board lock
I3 =Riveted ground tabs thread M3x0.5 Open and ground tabs with board lock
*Special options consult manufacturer

Combo D-Sub Technical Specifications

- ⊙ The connectors conform to MIL-24308(DIN 41652) and the shell dimensions are the same as standard D-sub connectors so that mating is no problem
- ⊙ Test methods for electronic connector are according to MILITARY standard MIL-STD-1344A and MILSTD-202F

Construction

Connector Assemblies -

- Shell : Steel, Tin Plated as Standard
- Insulator : Glass filled polyester UL 94V-0
Color Black or Green
- Signal Contact when applicable :
Copper alloy : Please see ordering code for plating options
- Standoff : Copper alloy, Tin over Copper
- Bracket : Steel, Nickel plated
- Rivnut : Copper alloy, Nickel plated
- Locking Clipper : Copper alloy, Tin over Copper

Coaxial Contact Assembly -

- Insulator : Teflon UL 94V-0, Color White
- Center and outside contact : Copper alloy
Please see ordering code for plating options
- Lock link : Copper alloy, Tin plated over Nickel

High Power Contact Assembly -

- Contact : Copper alloy
Please see ordering code for plating options
- Lock link : Copper alloy, Tin plated over Nickel

Performance Data

- Signal contact current rating : 3 Amps
- Signal contact resistance : < 10 mΩ
- Dielectric withstanding Voltage: 1000VAC for one minute at sea level
- Insulation Resistance : > 5000 MΩ
- Coaxial Contact impedance : 75Ω or 50Ω
- High power contact current rating : 40 or 20 Amps
- High power contact Resistance : < 2.7 m
- Connector mating and unmating force:17.0 kgf max.
- Durability:100 Cycles
- Operating Temperature: -55°~+125°C

Contact Arrangements

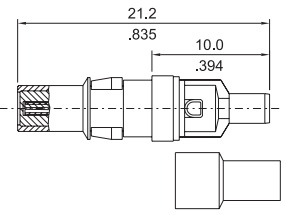
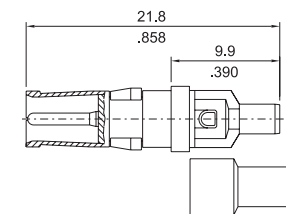
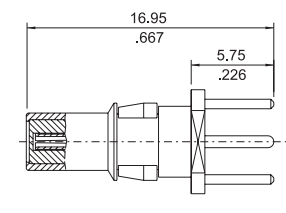
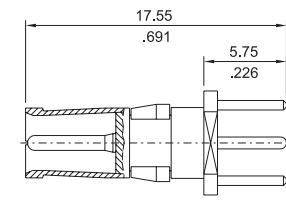
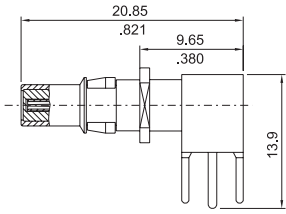
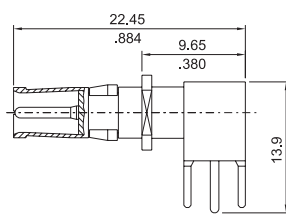
- ⊙ Accommodated removable Coaxial and high power contacts
- ⊙ The product indicated “◆” Not available at present

Contact Arrangement	5W1	3W3	7W2	11W1	5W5	9W4
Shell Size	E	A	A	A	B	B
No. of Signal Contacts	4	0	5	10	0	5
No. of Coaxial Contacts	1	3	2	1	5	4
Contact Arrangement	13W3	17W2	21W1	8W8		
Shell Size	B	B	B	C		
No. of Signal Contacts	10	15	20	0		
No. of Coaxial Contacts	3	2	1	8		
Contact Arrangement	13W6	17W5	21W4			
Shell Size	C	C	C			
No. of Signal Contacts	7	12	17			
No. of Coaxial Contacts	6	5	4			
Contact Arrangement	25W3	27W2	24W7			
Shell Size	C	C	D			
No. of Signal Contacts	22	25	17			
No. of Coaxial Contacts	3	2	7			
Contact Arrangement	36W4	43W2	47W1			
Shell Size	D	D	D			
No. of Signal Contacts	32	41	46			
No. of Coaxial Contacts	4	2	1			

Mounting Style Options

0	Riveted front and rear shell with 3.05mm Hole	A	Riveted #4-40 UNC close nuts on front shell DIM L= 5.8mm (Standard)	B	Riveted #4-40 UNC open nuts on front shell DIM L= 4.0mm (Standard)
C	Riveted #4-40 UNC open nuts on rear shell DIM. L= 4.0mm (Standard)	D	Riveted #4-40 UNC close ground Stand-off on rear shell DIM L=7.0mm (Standard)	I	Riveted ground tabs with #4-40 UNC open

Coaxial Contact for Combination D-Sub

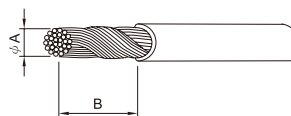
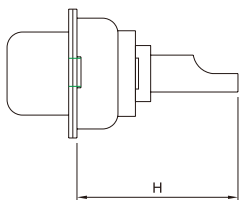
Contact Type	Shape	Part No.	Plating	Impedance	R.G Cable
Solder Cup	 <p>Plug Contact</p>	CXLTPS27500	Gold flash plated over 50µin Nickel	75Ω	179B/U
		CXLTPS37500	15µin Gold plated over 50µin Nickel		
		CXLTPS47500	30µin Gold plated over 50µin Nickel		
		CXLTPS57500	50µin Gold plated over 50µin Nickel		
		CXLTPS25000	Gold flash plated over 50µin Nickel		
		CXLTPS35000	15µin Gold plated over 50µin Nickel		
		CXLTPS45000	30µin Gold plated over 50µin Nickel		
	 <p>Receptacle Contact</p>	CXLTPS55000	50µin Gold plated over 50µin Nickel	50Ω	178B/U
		CXLTPS55000	50µin Gold plated over 50µin Nickel		
		CXLTPS55000	50µin Gold plated over 50µin Nickel		
		CXLTPS55000	50µin Gold plated over 50µin Nickel		
		CXLTPS55000	50µin Gold plated over 50µin Nickel		
		CXLTPS55000	50µin Gold plated over 50µin Nickel		
		CXLTPS55000	50µin Gold plated over 50µin Nickel		
Straight DIP	 <p>Plug Contact</p>	CXLTPV27500	Gold flash plated over 50µin Nickel	75Ω	—
		CXLTPV37500	15µin Gold plated over 50µin Nickel		
		CXLTPV47500	30µin Gold plated over 50µin Nickel		
		CXLTPV57500	50µin Gold plated over 50µin Nickel		
		CXLTPV25000	Gold flash plated over 50µin Nickel		
		CXLTPV35000	15µin Gold plated over 50µin Nickel		
		CXLTPV45000	30µin Gold plated over 50µin Nickel		
	 <p>Receptacle Contact</p>	CXLTPV55000	50µin Gold plated over 50µin Nickel	50Ω	—
		CXLTPV55000	50µin Gold plated over 50µin Nickel		
		CXLTPV55000	50µin Gold plated over 50µin Nickel		
		CXLTPV55000	50µin Gold plated over 50µin Nickel		
		CXLTPV55000	50µin Gold plated over 50µin Nickel		
		CXLTPV55000	50µin Gold plated over 50µin Nickel		
		CXLTPV55000	50µin Gold plated over 50µin Nickel		
Right Angle DIP	 <p>Plug Contact</p>	CXLTPH27500	Gold flash plated over 50µin Nickel	75Ω	—
		CXLTPH37500	15µin Gold plated over 50µin Nickel		
		CXLTPH47500	30µin Gold plated over 50µin Nickel		
		CXLTPH57500	50µin Gold plated over 50µin Nickel		
		CXLTPH25000	Gold flash plated over 50µin Nickel		
		CXLTPH35000	15µin Gold plated over 50µin Nickel		
		CXLTPH45000	30µin Gold plated over 50µin Nickel		
	 <p>Receptacle Contact</p>	CXLTPH55000	50µin Gold plated over 50µin Nickel	50Ω	—
		CXLTPH55000	50µin Gold plated over 50µin Nickel		
		CXLTPH55000	50µin Gold plated over 50µin Nickel		
		CXLTPH55000	50µin Gold plated over 50µin Nickel		
		CXLTPH55000	50µin Gold plated over 50µin Nickel		
		CXLTPH55000	50µin Gold plated over 50µin Nickel		
		CXLTPH55000	50µin Gold plated over 50µin Nickel		

CD

D-SUB CONNECTORS

High Power Contact for Combination D-Sub

Contact Type	Shape	Part No.	Plating	Current Rating	Wire Size
Solder Cup	<p>Plug Contact</p>	CHPTPS22000	Gold flash plated over 50µin Nickel	20A	AWG #12~#14
		CHPTPS32000	15µin Gold plated over 50µin Nickel		
		CHPTPS42000	30µin Gold plated over 50µin Nickel		
		CHPTPS52000	50µin Gold plated over 50µin Nickel		
		CHPTPS24000	Gold flash plated over 50µin Nickel		
		CHPTPS34000	15µin Gold plated over 50µin Nickel		
		CHPTPS44000	30µin Gold plated over 50µin Nickel		
	<p>Receptacle Contact</p>	CHPTSS22000	Gold flash plated over 50µin Nickel	20A	AWG #12~#14
		CHPTSS32000	15µin Gold plated over 50µin Nickel		
		CHPTSS42000	30µin Gold plated over 50µin Nickel		
		CHPTSS52000	50µin Gold plated over 50µin Nickel		
		CHPTSS24000	Gold flash plated over 50µin Nickel		
		CHPTSS34000	15µin Gold plated over 50µin Nickel		
		CHPTSS44000	30µin Gold plated over 50µin Nickel		
Crimp Type	<p>Plug Contact</p>	CHPTPC22000	Gold flash plated over 50µin Nickel	20A	AWG #12~#14
		CHPTPC32000	15µin Gold plated over 50µin Nickel		
		CHPTPC42000	30µin Gold plated over 50µin Nickel		
		CHPTPC52000	50µin Gold plated over 50µin Nickel		
		CHPTPC24000	Gold flash plated over 50µin Nickel		
		CHPTPC34000	15µin Gold plated over 50µin Nickel		
		CHPTPC44000	30µin Gold plated over 50µin Nickel		
	<p>Receptacle Contact</p>	CHPTSC22000	Gold flash plated over 50µin Nickel	20A	AWG #12~#14
		CHPTSC32000	15µin Gold plated over 50µin Nickel		
		CHPTSC42000	30µin Gold plated over 50µin Nickel		
		CHPTSC52000	50µin Gold plated over 50µin Nickel		
		CHPTSC24000	Gold flash plated over 50µin Nickel		
		CHPTSC34000	15µin Gold plated over 50µin Nickel		
		CHPTSC44000	30µin Gold plated over 50µin Nickel		
CHPTSC54000	50µin Gold plated over 50µin Nickel				

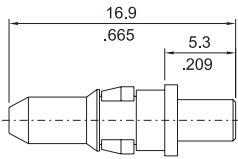
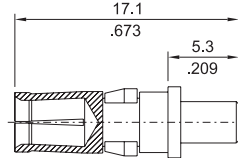
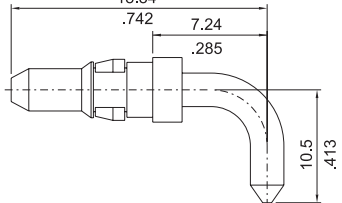
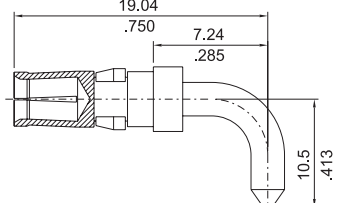


Current Rating	Crimp and Solder Terminations			
	DIM. φA min.	DIM. φA max.	DIM. B	DIM. H max.
20A	1.8(.071)	2.6(.102)	8.0(.315)~ 8.8(.346)	16.5(.650)
40A	2.9(.114)	4.5(.177)		

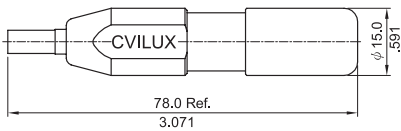
CD

D-SUB CONNECTORS

High Power Contact for Combination D-Sub

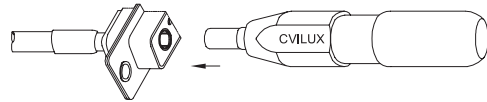
Contact Type	Shape	Part No.	Plating	Current Rating	
Straight DIP	 <p>Plug Contact</p>	CHPTPV22000	Gold flash plated over 50µin Nickel	20A	
		CHPTPV32000	15µin Gold plated over 50µin Nickel		
		CHPTPV42000	30µin Gold plated over 50µin Nickel		
		CHPTPV52000	50µin Gold plated over 50µin Nickel		
		CHPTPV24000	Gold flash plated over 50µin Nickel		
		CHPTPV34000	15µin Gold plated over 50µin Nickel		
		CHPTPV44000	30µin Gold plated over 50µin Nickel		
	CHPTPV54000	50µin Gold plated over 50µin Nickel	40A		
	 <p>Receptacle Contact</p>	CHPTSV22000		Gold flash plated over 50µin Nickel	20A
		CHPTSV32000		15µin Gold plated over 50µin Nickel	
		CHPTSV42000		30µin Gold plated over 50µin Nickel	
		CHPTSV52000		50µin Gold plated over 50µin Nickel	
		CHPTSV24000		Gold flash plated over 50µin Nickel	
		CHPTSV34000		15µin Gold plated over 50µin Nickel	
CHPTSV44000		30µin Gold plated over 50µin Nickel			
CHPTSV54000	50µin Gold plated over 50µin Nickel	40A			
Right Angle DIP	 <p>Plug Contact</p>		CHTPH22000	Gold flash plated over 50µin Nickel	20A
			CHTPH32000	15µin Gold plated over 50µin Nickel	
			CHTPH42000	30µin Gold plated over 50µin Nickel	
			CHTPH52000	50µin Gold plated over 50µin Nickel	
			CHTPH24000	Gold flash plated over 50µin Nickel	
			CHTPH34000	15µin Gold plated over 50µin Nickel	
		CHTPH44000	30µin Gold plated over 50µin Nickel		
	CHTPH54000	50µin Gold plated over 50µin Nickel	40A		
	 <p>Receptacle Contact</p>	CHPTSH22000		Gold flash plated over 50µin Nickel	20A
		CHPTSH32000		15µin Gold plated over 50µin Nickel	
		CHPTSH42000		30µin Gold plated over 50µin Nickel	
		CHPTSH52000		50µin Gold plated over 50µin Nickel	
		CHPTSH24000		Gold flash plated over 50µin Nickel	
		CHPTSH34000		15µin Gold plated over 50µin Nickel	
CHPTSH44000		30µin Gold plated over 50µin Nickel			
CHPTSH54000	50µin Gold plated over 50µin Nickel	40A			

P/N CD-RWT-0100

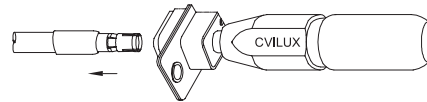


The COMBO D-SUB EXTRACTOR.
It is used in Coaxial or High power contact.
(available for male/female)

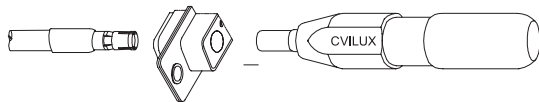
Step 1



Step 2



Step 3



CD

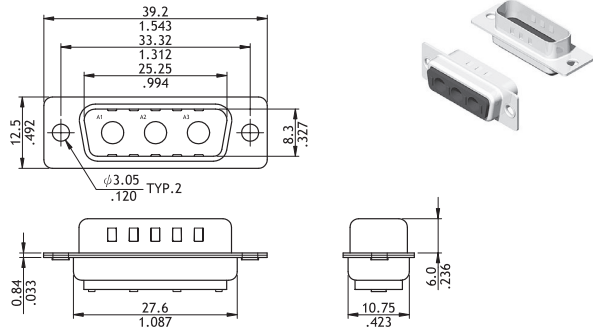
D-SUB CONNECTORS

Combination D-Sub Housing

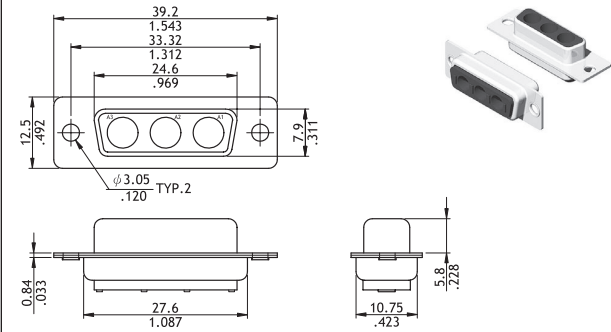
- ⊙ Pre-loaded stamped signal contact
- ⊙ Can be mated with coaxial or high power contact
- ⊙ High power contact available for crimp or solder type in 20A or 40A
- ⊙ Metal shell with ground indents
- ⊙ Riveted Hex nuts or hardware accessories options available

RoHS Compliant

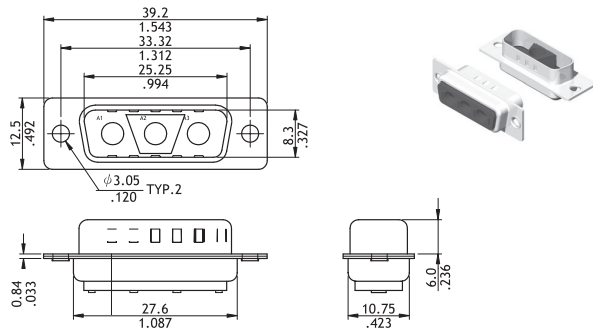
C3W3 (Plug Connector)



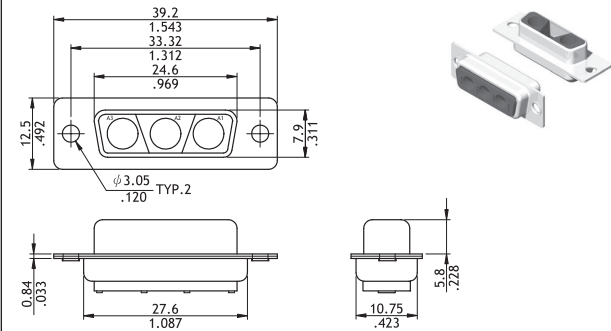
C3W3 (Receptacle Connector)



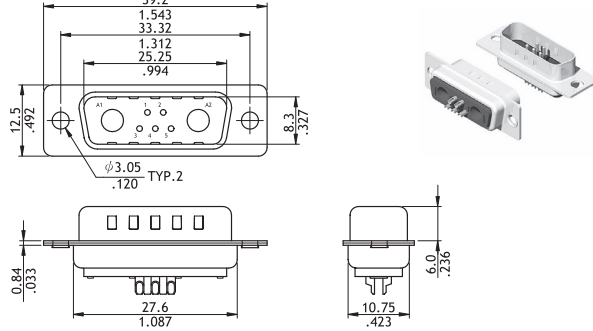
3W3C (Plug Connector)



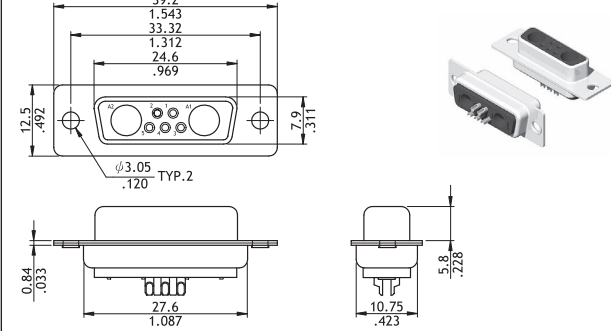
3W3C (Receptacle Connector)



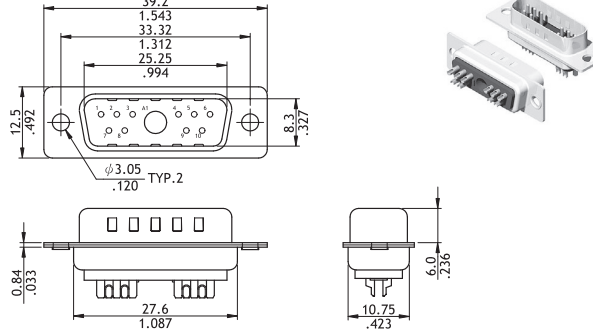
C7W2 (Plug Connector)



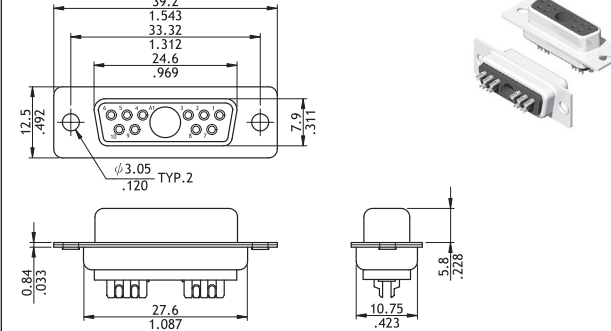
C7W2 (Receptacle Connector)



11W1 (Plug Connector)



11W1 (Receptacle Connector)

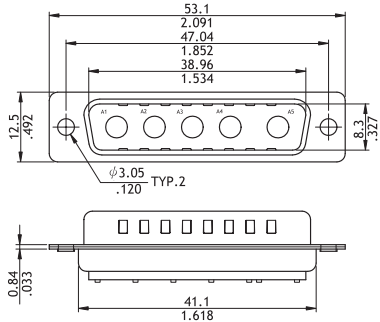


CD

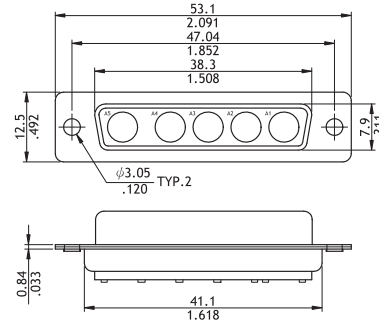
D-SUB CONNECTORS

Combination D-Sub Housing

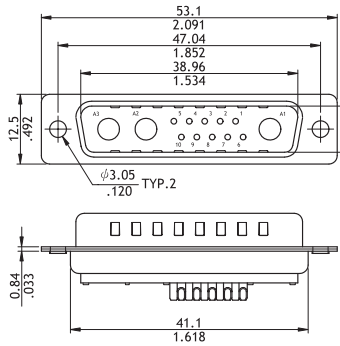
C5W5 (Plug Connector)



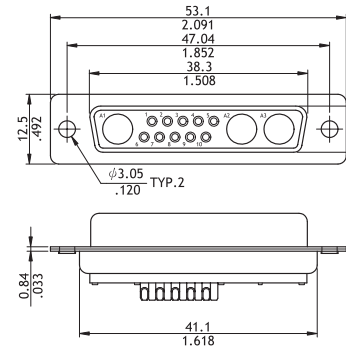
C5W5 (Receptacle Connector)



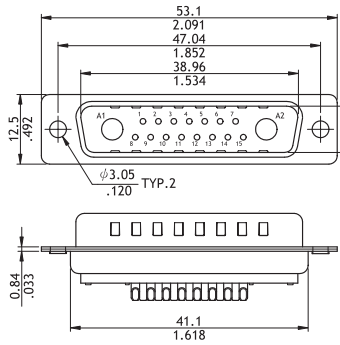
13W3 (Plug Connector)



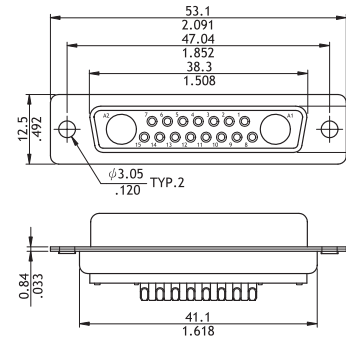
13W3 (Receptacle Connector)



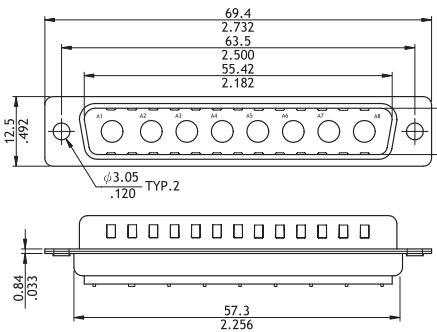
17W2 (Plug Connector)



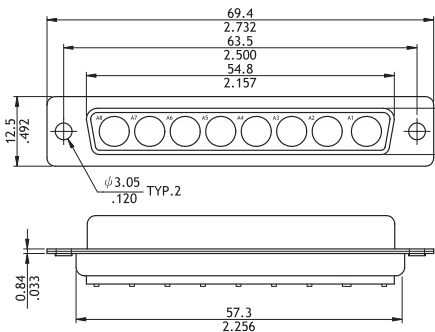
17W2 (Receptacle Connector)



C8W8 (Plug Connector)



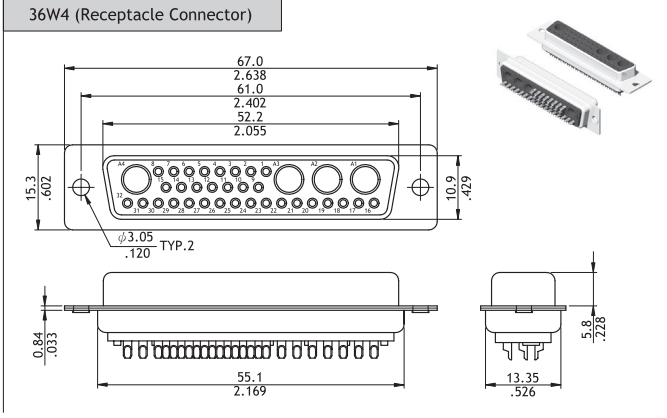
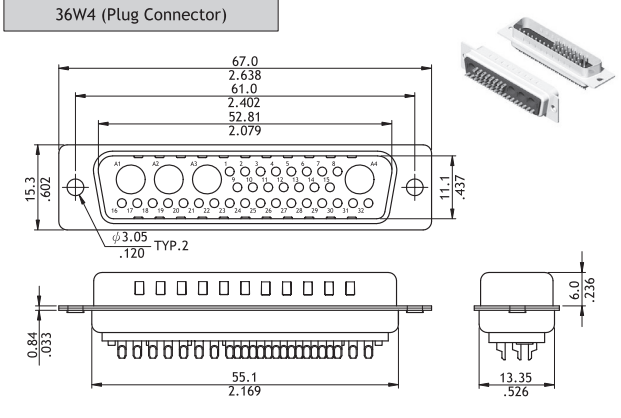
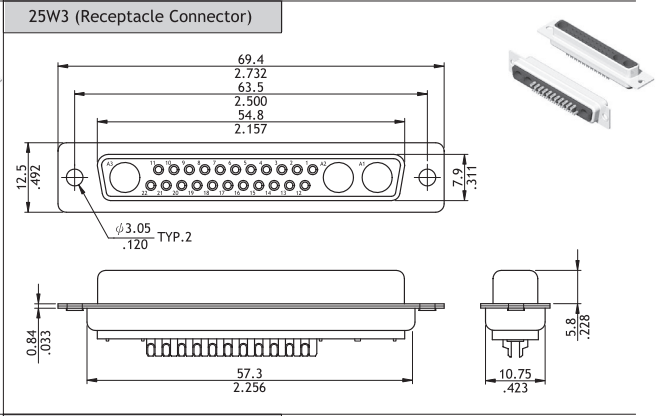
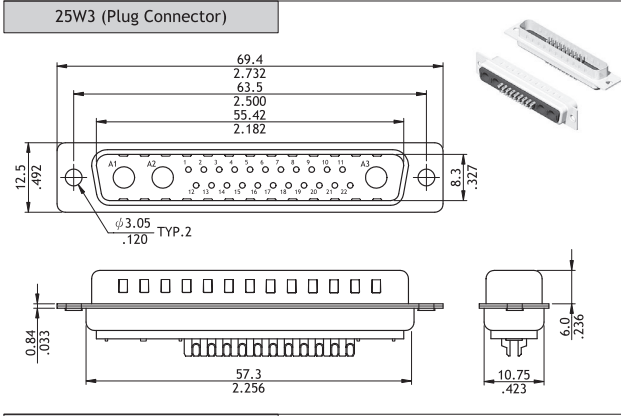
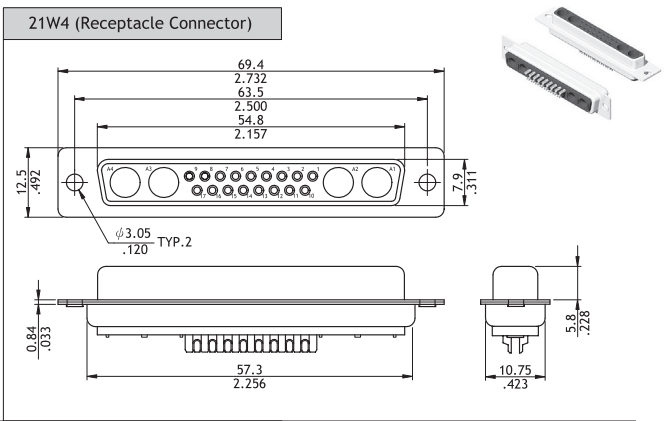
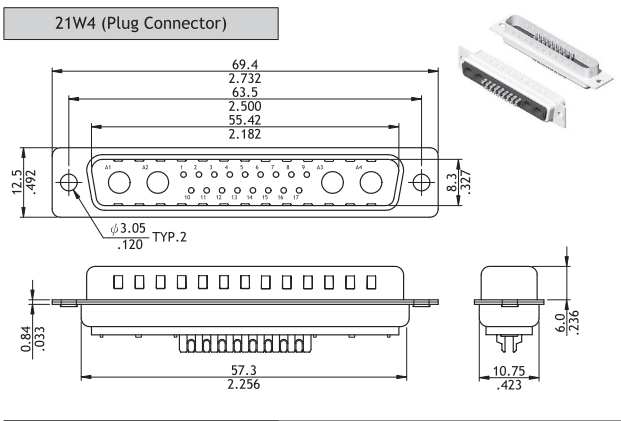
C8W8 (Receptacle Connector)



CD

D-SUB CONNECTORS

Combination D-Sub Housing



Ordering Code

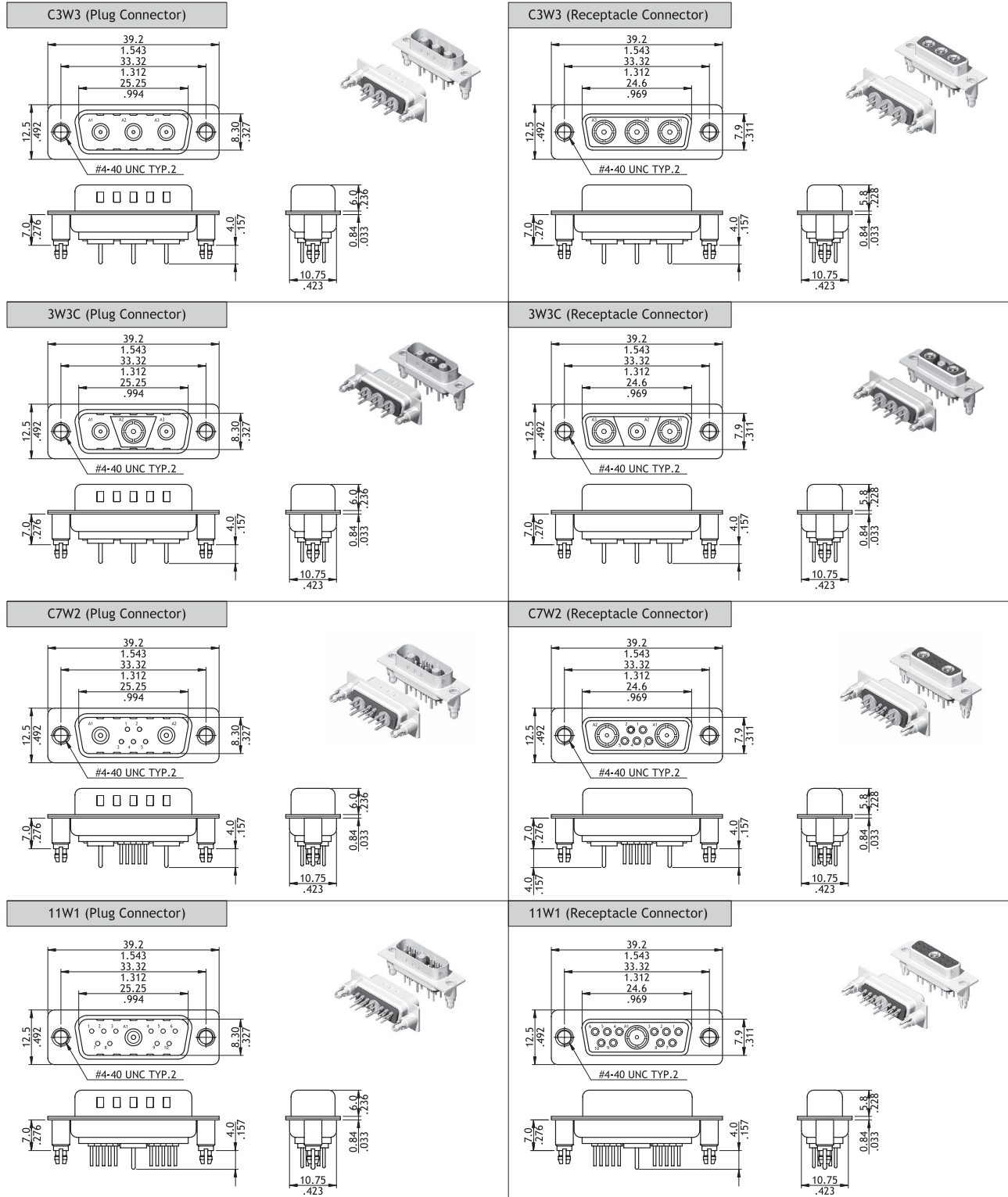
①	②	③	④	⑤	⑥
13W3	P0	S0	A	100	000

① Series No.: C3W3, 3W3C, C7W2, 11W1, C5W5, 13W3, 17W3, C8W8, 21W4, 25W3, 36W4
 ② Connector Type: P0 = Plug, S0 = Receptacle
 ③ Contact Tail: S0= Solder Cup Type (C3W3, C5W5, 3W3C, C8W8 Series, Code= 00)
 ④ Signal Contact Plating: A = Selective Gold flash over Nickel, 0 = Without Signal Contact
 ⑤ Insulator Color: 100 = Black
 ⑥ Other Options: 000 = With $\phi 3.05$ mm holes on shell (Standard), A00= Riveted #4-40 UNC Close nuts on Front shell, B00= Riveted #4-40 UNC Open nuts on Front shell, C00= Riveted #4-40 UNC Open nuts on Rear shell
 *Special options consult manufacturer
 Connectors and coaxial/high power contacts should be ordered respectively to confirm production process

CD
D-SUB CONNECTORS

Coaxial Straight DIP Combination D-Sub

- ⊙ Standard type with #4-40 UNC threaded ground stand-off
- ⊙ Combined with stamped signal and machined coaxial contacts
- ⊙ For top entry connection
- ⊙ Metal shell with ground indents
- ⊙ Riveted Hex nuts or hardware accessories options available

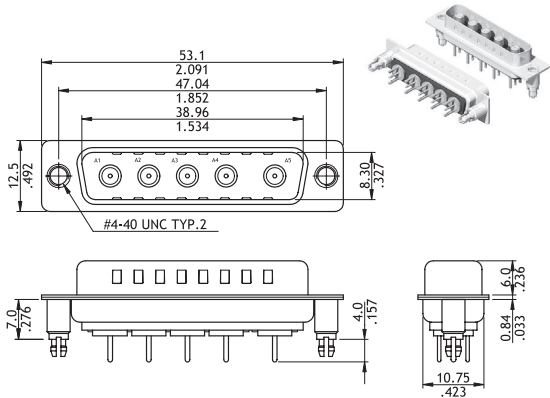


CD

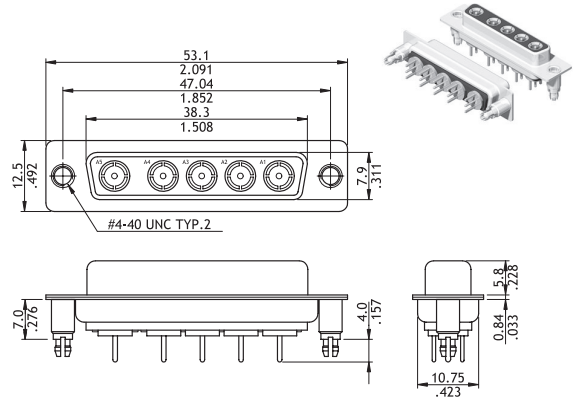
D-SUB CONNECTORS

Coaxial Straight DIP Combination D-Sub

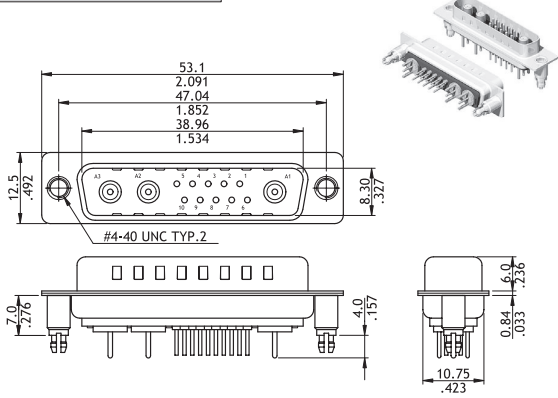
C5W5 (Plug Connector)



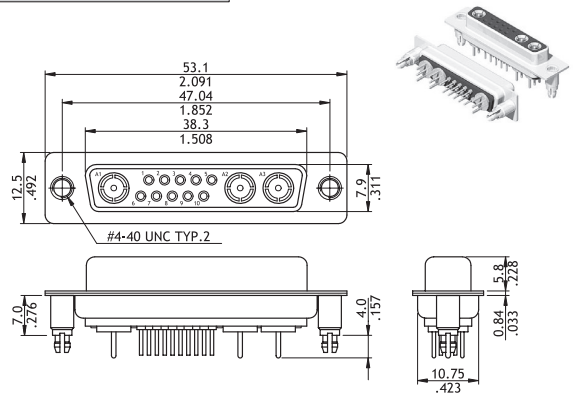
C5W5 (Receptacle Connector)



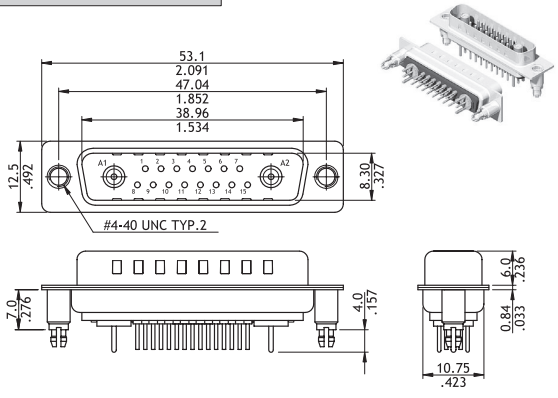
13W3 (Plug Connector)



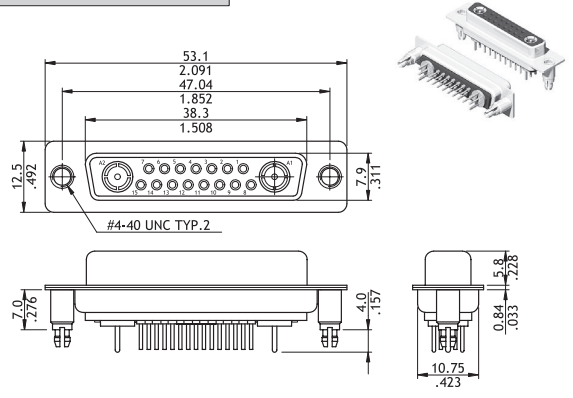
13W3 (Receptacle Connector)



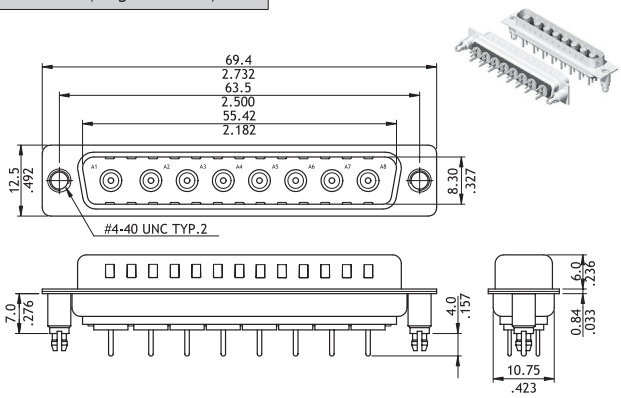
17W2 (Plug Connector)



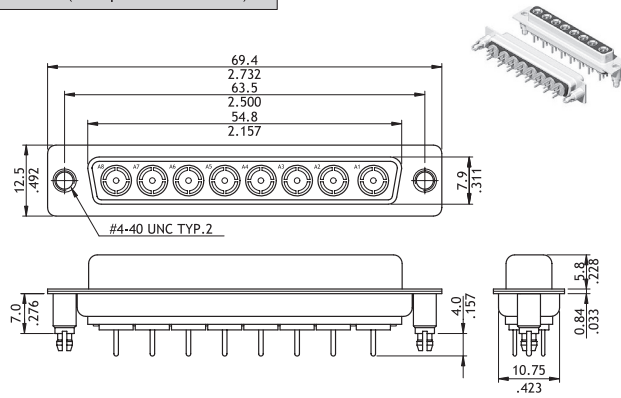
17W2 (Receptacle Connector)



C8W8 (Plug Connector)



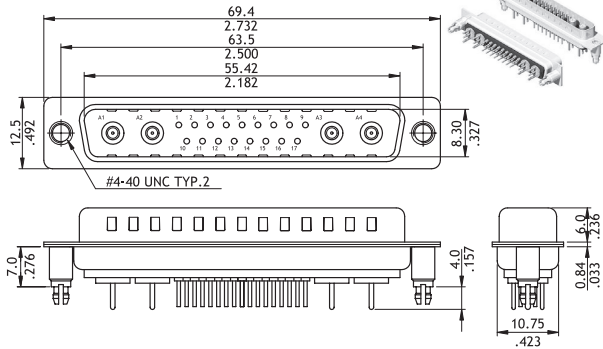
C8W8 (Receptacle Connector)



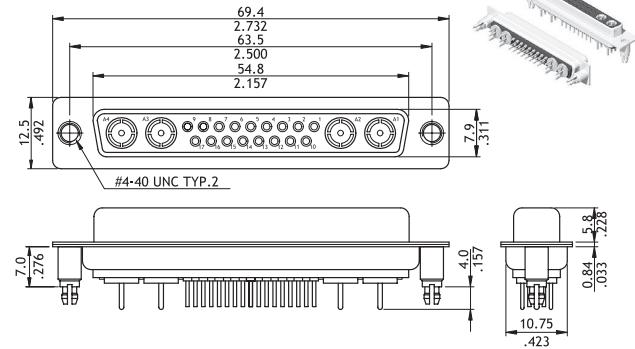
CD
D-SUB CONNECTORS

Coaxial Straight DIP Combination D-Sub

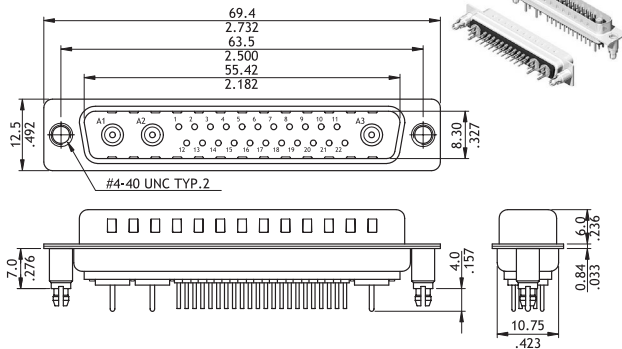
21W4 (Plug Connector)



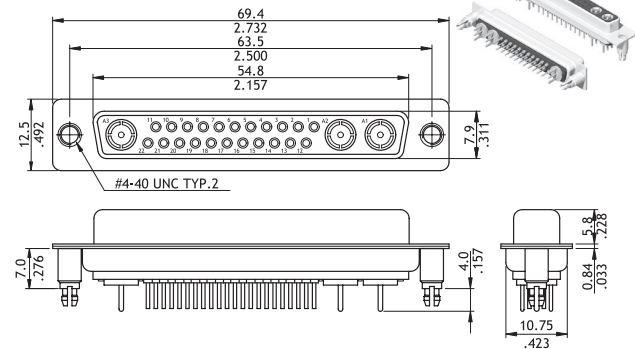
21W4 (Receptacle Connector)



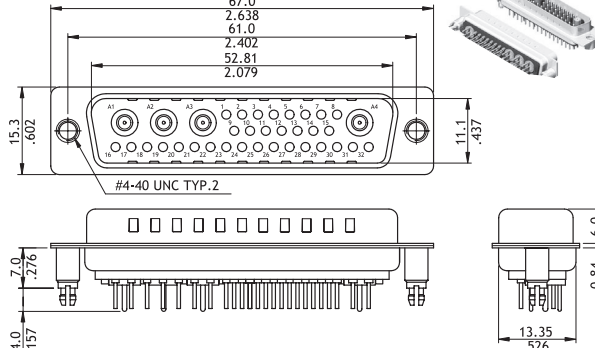
25W3 (Plug Connector)



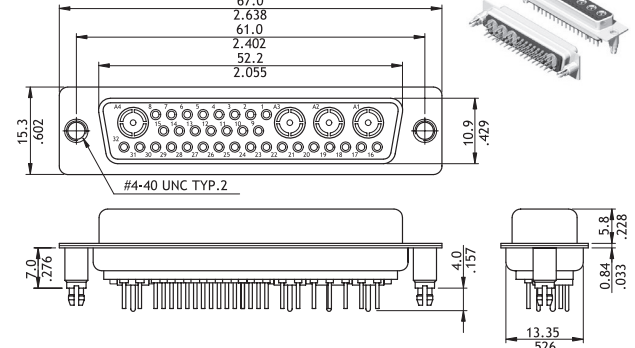
25W3 (Receptacle Connector)



36W4 (Plug Connector)



36W4 (Receptacle Connector)



Ordering Code

① 13W3 ② S ③ C ④ V ⑤ 2 ⑥ 2 ⑦ 1 ⑧ 75 ⑨ D00

- ① Series No.: C3W3, 3W3C, C7W2, 11W1, C5W5, 13W3, 17W3, C8W8, 21W4, 25W3, 36W4
- ② Connector Type: P = Plug
S = Receptacle
- ③ Contact Type: C = Coaxial Contact
- ④ Contact Tail Style: V = Straight DIP Type
- ⑤ Coaxial Contact Plating: 2 = Gold flash over Nickel
- ⑥ Signal Contact Plating: 2 = Gold flash over Nickel
0 = Without Signal Contact

- ⑦ Insulator Color: 1 = Black
- ⑧ Performance: 50 = 50Ω, 75 = 75Ω
- ⑨ Mounting Style:
000 = With ϕ 3.05mm holes on shell (Standard)
A00 = Riveted #4-40 UNC Close nuts on Front shell
B00 = Riveted #4-40 UNC Open nuts on Front shell
C00 = Riveted #4-40 UNC Open nuts on Rear shell
D00 = Riveted #4-40 UNC Ground Stand-off
*Special options consult manufacturer

CD

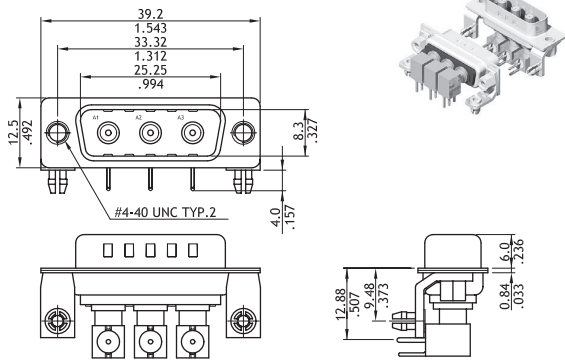
D-SUB CONNECTORS

Coaxial Right Angle DIP Combination D-Sub

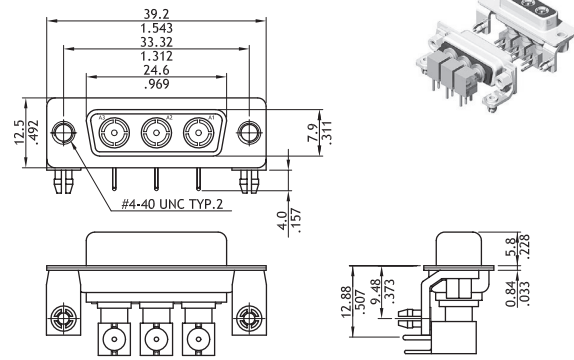
- ⊙ Standard type with #4-40 UNC threaded ground stand tabs and board locks to secure connector on board
- ⊙ Combined with stamped signal and machined coaxial contacts
- ⊙ For side entry connection
- ⊙ Metal shell with ground indents
- ⊙ Riveted Hex nuts or hardware accessories options available

RoHS Compliant

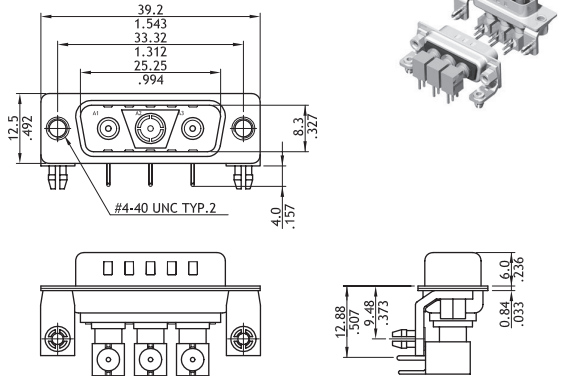
C3W3 (Plug Connector)



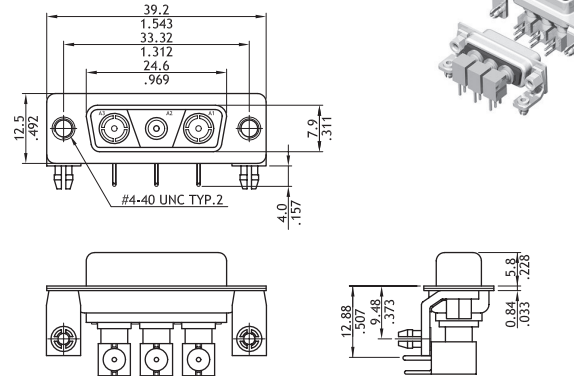
C3W3 (Receptacle Connector)



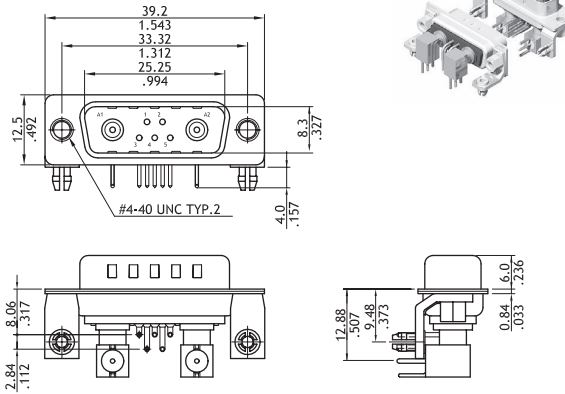
3W3C (Plug Connector)



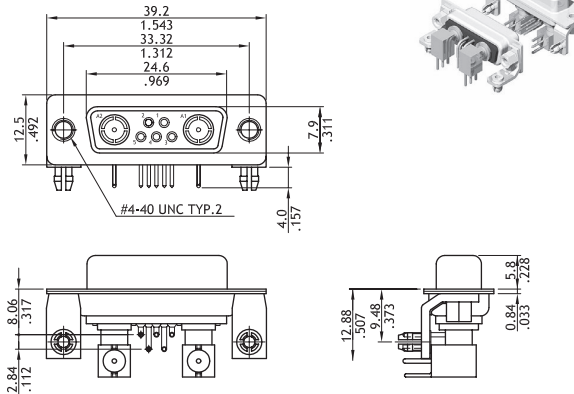
3W3C (Receptacle Connector)



C7W2 (Plug Connector)



C7W2 (Receptacle Connector)

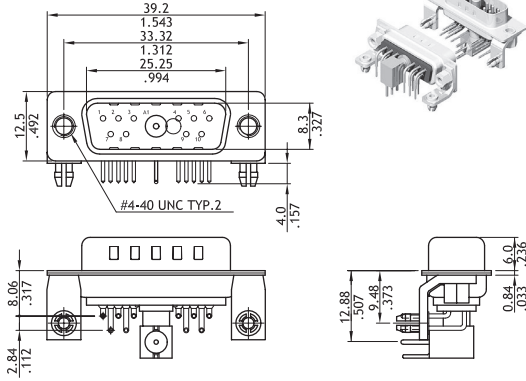


CD

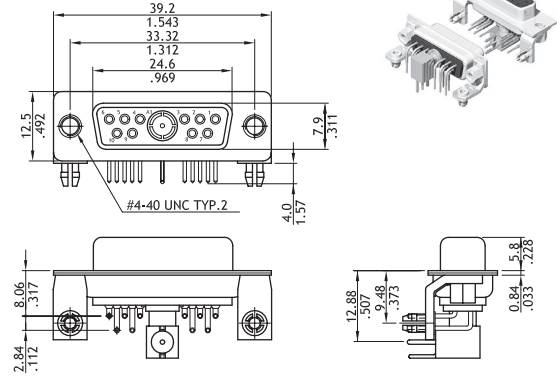
D-SUB CONNECTORS

Coaxial Right Angle DIP Combination D-Sub

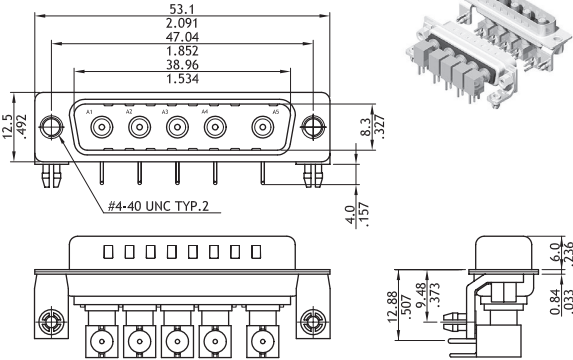
11W1 (Plug Connector)



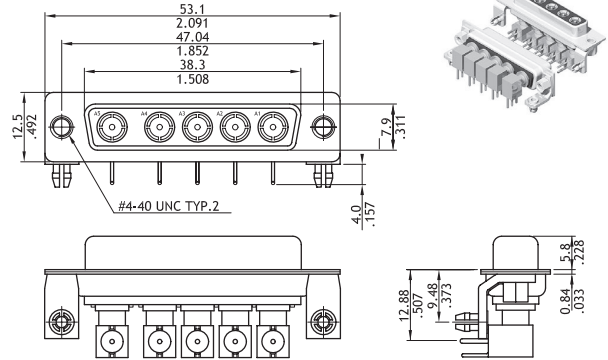
11W1 (Receptacle Connector)



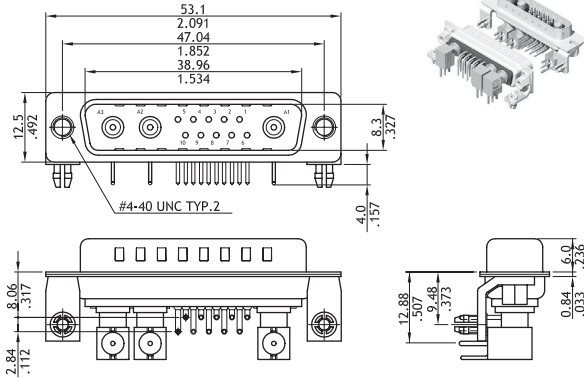
C5W5 (Plug Connector)



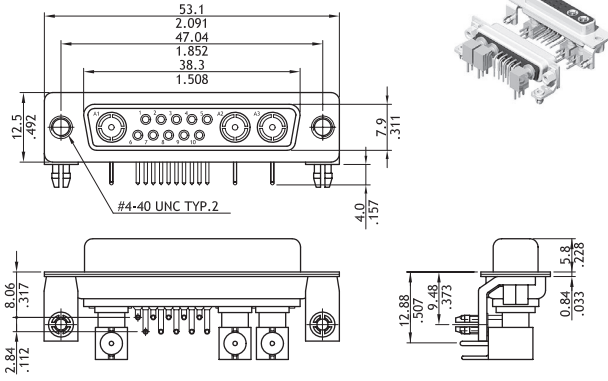
C5W5 (Receptacle Connector)



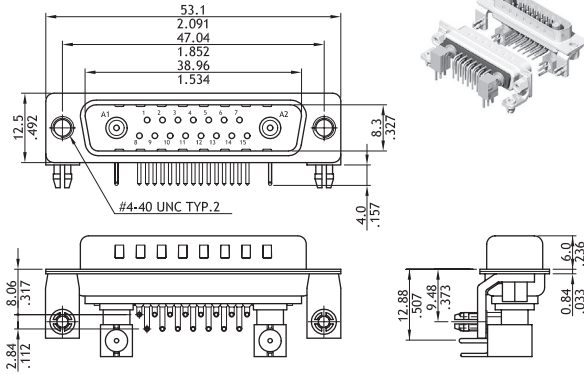
13W3 (Plug Connector)



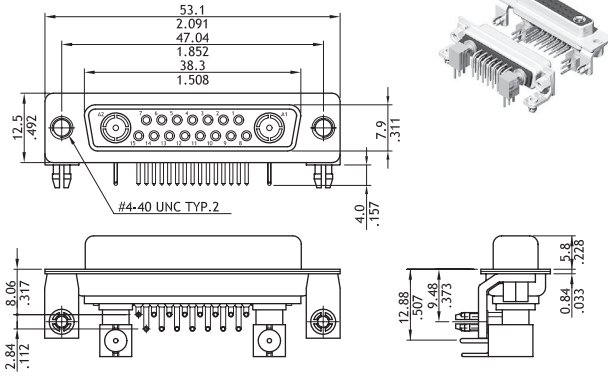
13W3 (Receptacle Connector)



17W2 (Plug Connector)



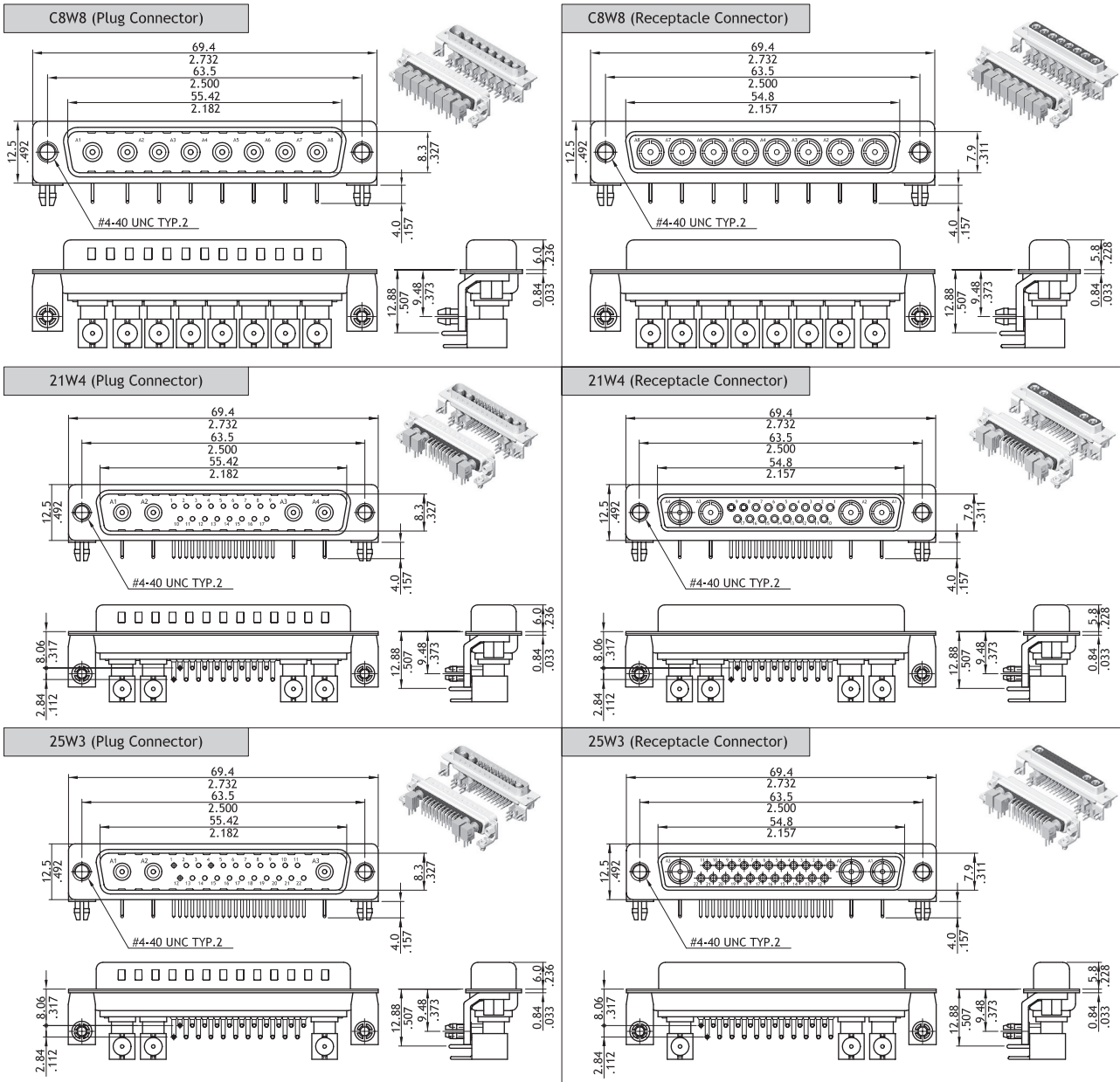
17W2 (Receptacle Connector)



CD

D-SUB CONNECTORS

Coaxial Right Angle DIP Combination D-Sub



Ordering Code

①	②	③	④	⑤	⑥	⑦	⑧	⑨
13W3	S	C	H	2	2	1	75	I10

- ① Series No.: C3W3, 3W3C, C7W2, 11W1, C5W5, 13W3, 17W3, C8W8, 21W4, 25W3, 36W4
- ② Connector Type: P = Plug
S = Receptacle
- ③ Contact Type: C = Coaxial Contact
- ④ Contact Tail Style: H = Right Angle DIP Type
- ⑤ Coaxial Contact Plating: 2 = Gold flash over Nickel
- ⑥ Signal Contact Plating: 2 = Gold flash over Nickel
0 = Without Signal Contact

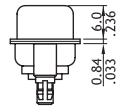
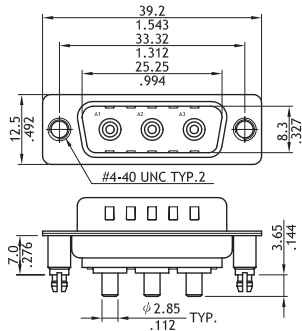
- ⑦ Insulator Color: 1 = Black
 - ⑧ Performance: 50 = 50Ω, 75 = 75Ω
 - ⑨ Mounting Style:
000 = With ϕ 3.05mm holes on shell
B00 = Riveted #4-40 UNC Close nuts on Front shell
C00 = Riveted #4-40 UNC Open nuts on Rear shell
I00 = Riveted #4-40 UNC Ground tabs with ϕ 3.2mm holes
I10 = Riveted #4-40 UNC Ground tabs with board locks (Standard)
- *Special options consult manufacturer

20A High Power Straight DIP Solder Combination D-Sub

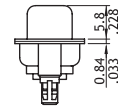
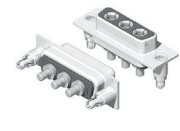
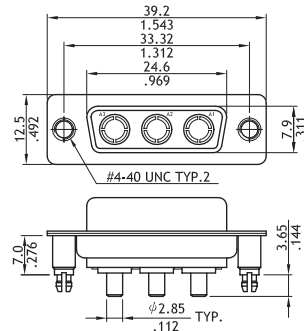
- ⊙ Standard type with #4-40 UNC threaded ground stand-off
- ⊙ Combined with stamped signal and machined 20A high power contacts
- ⊙ For top entry connection
- ⊙ Metal shell with ground indents
- ⊙ Riveted Hex nuts or hardware accessories options available

RoHS Compliant 

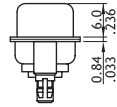
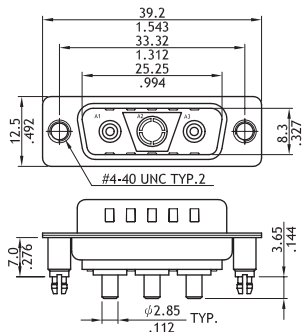
C3W3 (Plug Connector)



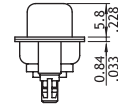
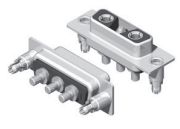
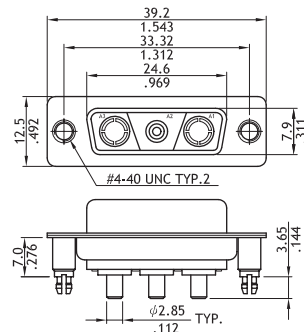
C3W3 (Receptacle Connector)



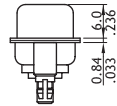
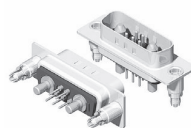
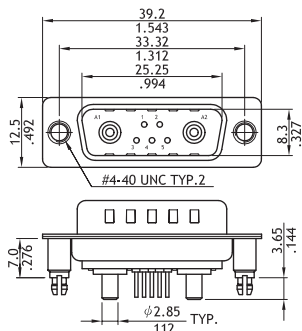
3W3C (Plug Connector)



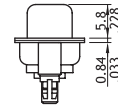
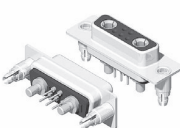
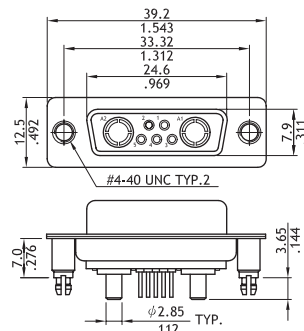
3W3C (Receptacle Connector)



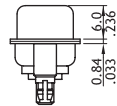
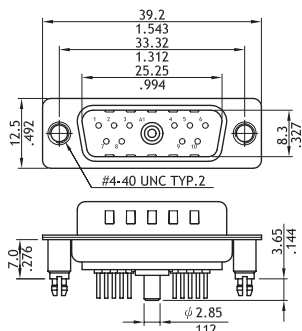
C7W2 (Plug Connector)



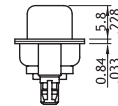
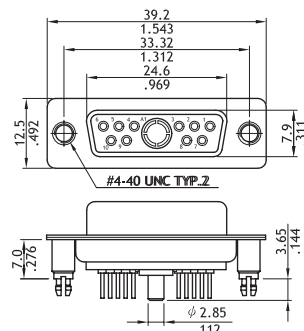
C7W2 (Receptacle Connector)



11W1 (Plug Connector)



11W1 (Receptacle Connector)



CD

D-SUB CONNECTORS

20A High Power Straight DIP Solder Combination D-Sub

C5W5 (Plug Connector)

Dimensions: 53.1, 2.091, 47.04, 1.852, 38.96, 1.534, 12.5, .492, 8.3, .327, 7.0, .276, 3.65, .144, $\phi 2.85$ TYP., .112, #4-40 UNC TYP.2, 0.84, .033, 6.0, .236

C5W5 (Receptacle Connector)

Dimensions: 53.1, 2.091, 47.04, 1.852, 38.3, 1.508, 12.5, .492, 7.9, .311, 7.0, .276, 3.65, .144, $\phi 2.85$ TYP., .112, #4-40 UNC TYP.2, 0.84, .033, 5.8, .228

13W3 (Plug Connector)

Dimensions: 53.1, 2.091, 47.04, 1.852, 38.96, 1.534, 12.5, .492, 8.3, .327, 7.0, .276, 3.65, .144, $\phi 2.85$ TYP., .112, #4-40 UNC TYP.2, 0.84, .033, 6.0, .236

13W3 (Receptacle Connector)

Dimensions: 53.1, 2.091, 47.04, 1.852, 38.3, 1.508, 12.5, .492, 7.9, .311, 7.0, .276, 3.65, .144, $\phi 2.85$ TYP., .112, #4-40 UNC TYP.2, 0.84, .033, 5.8, .228

17W2 (Plug Connector)

Dimensions: 53.1, 2.091, 47.04, 1.852, 38.96, 1.534, 12.5, .492, 8.3, .327, 7.0, .276, 3.65, .144, $\phi 2.85$ TYP., .112, #4-40 UNC TYP.2, 0.84, .033, 6.0, .236

17W2 (Receptacle Connector)

Dimensions: 53.1, 2.091, 47.04, 1.852, 38.3, 1.508, 12.5, .492, 7.9, .311, 7.0, .276, 3.65, .144, $\phi 2.85$ TYP., .112, #4-40 UNC TYP.2, 0.84, .033, 5.8, .228

C8W8 (Plug Connector)

Dimensions: 69.4, 2.732, 63.5, 2.500, 55.42, 2.182, 12.5, .492, 8.3, .327, 7.0, .276, 3.65, .144, $\phi 2.85$ TYP., .112, #4-40 UNC TYP.2, 0.84, .033, 6.0, .236

C8W8 (Receptacle Connector)

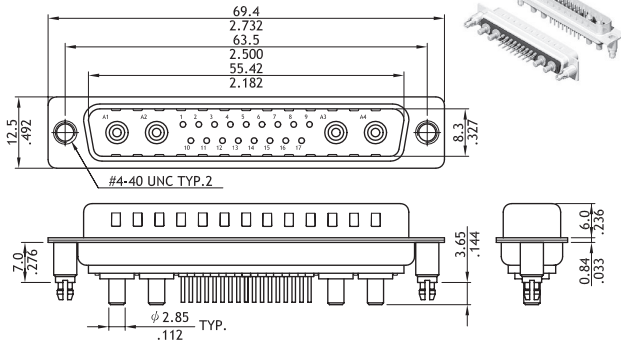
Dimensions: 69.4, 2.732, 63.5, 2.500, 54.8, 2.157, 12.5, .492, 7.9, .311, 7.0, .276, 3.65, .144, $\phi 2.85$ TYP., .112, #4-40 UNC TYP.2, 0.84, .033, 5.8, .228

CD

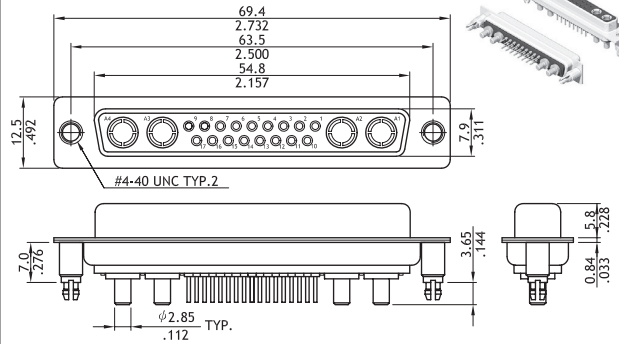
D-SUB CONNECTORS

20A High Power Straight DIP Solder Combination D-Sub

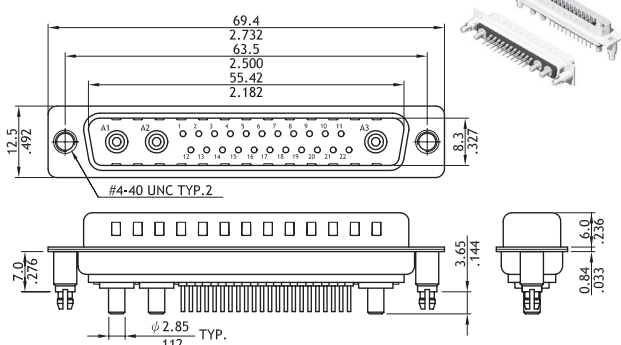
21W4 (Plug Connector)



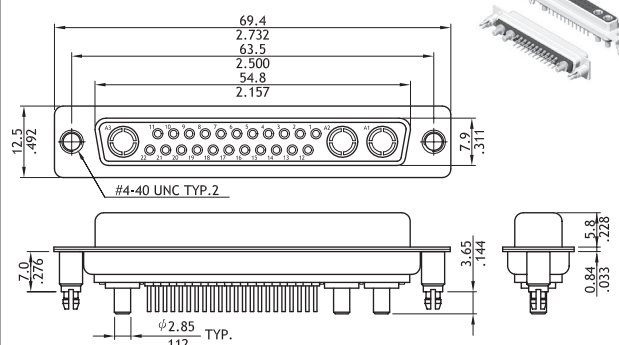
21W4 (Receptacle Connector)



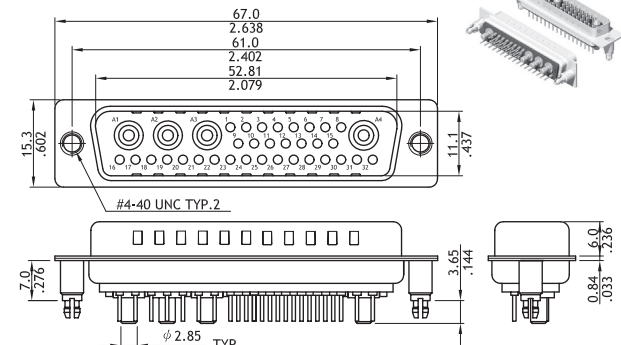
25W3 (Plug Connector)



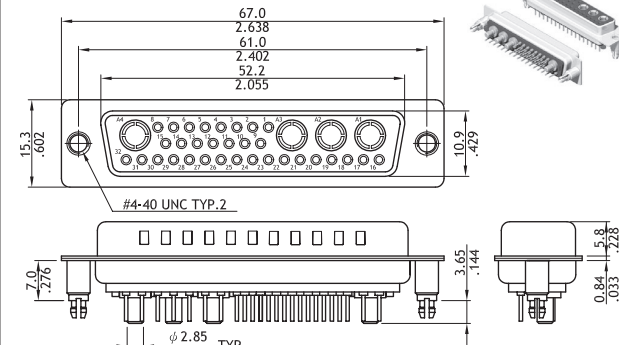
25W3 (Receptacle Connector)



36W4 (Plug Connector)



36W4 (Receptacle Connector)



Ordering Code

① 13W3 ② S ③ P ④ V ⑤ 2 ⑥ 2 ⑦ 1 ⑧ 20 ⑨ D00

- ① Series No.: C3W3, 3W3C, C7W2, 11W1, C5W5, 13W3, 17W3, C8W8, 21W4, 25W3, 36W4
- ② Connector Type: P = Plug
S = Receptacle
- ③ Contact Type: P = High power Contact
- ④ Contact Tail Style: V = Straight DIP Type
- ⑤ Coaxial Contact Plating: 2 = Gold flash over Nickel
- ⑥ Signal Contact Plating: 2 = Gold flash over Nickel
0 = Without Signal Contact

- ⑦ Insulator Color: 1 = Black
- ⑧ Performance: 20 = 20A
- ⑨ Mounting Style:
000 = With φ 3.05mm holes on shell
A00 = Riveted #4-40 UNC Close nuts on Front shell
B00 = Riveted #4-40 UNC Open nuts on Front shell
C00 = Riveted #4-40 UNC Open nuts on Rear shell
D00 = Riveted #4-40 UNC Ground Stand-off (Standard)
*Special options consult manufacturer

40A High Power Straight DIP Solder Combination D-Sub

- ⊙ Standard type with #4-40 UNC threaded ground stand-off
- ⊙ Combined with stamped signal and machined 40A high power contacts
- ⊙ For top entry connection
- ⊙ Metal shell with ground indents
- ⊙ Riveted Hex nuts or hardware accessories options available

RoHS Compliant

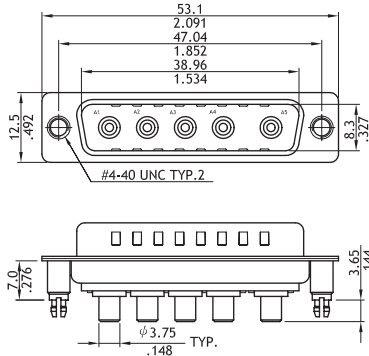
<p>C3W3 (Plug Connector)</p>	<p>C3W3 (Receptacle Connector)</p>
<p>3W3C (Plug Connector)</p>	<p>3W3C (Receptacle Connector)</p>
<p>C7W2 (Plug Connector)</p>	<p>C7W2 (Receptacle Connector)</p>
<p>11W1 (Plug Connector)</p>	<p>11W1 (Receptacle Connector)</p>

CD

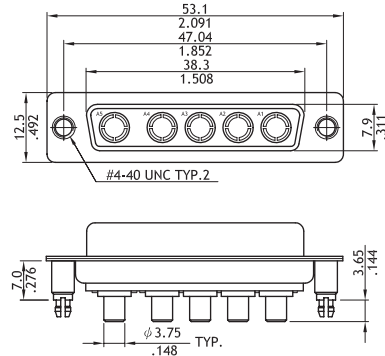
D-SUB CONNECTORS

40A High Power Straight DIP Solder Combination D-Sub

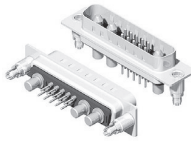
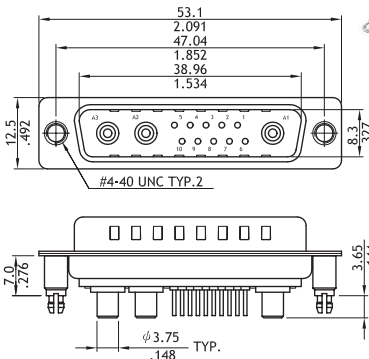
C5W5 (Plug Connector)



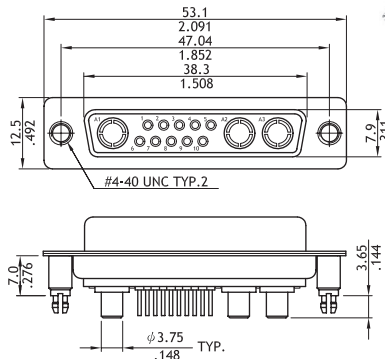
C5W5 (Receptacle Connector)



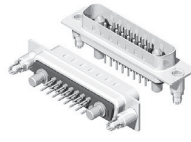
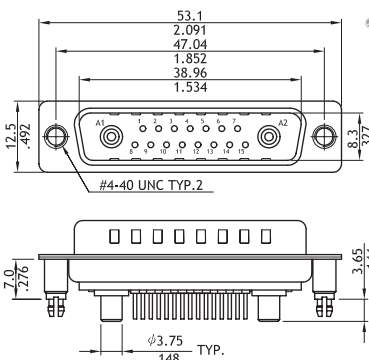
13W3 (Plug Connector)



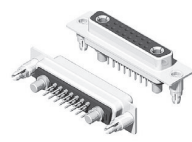
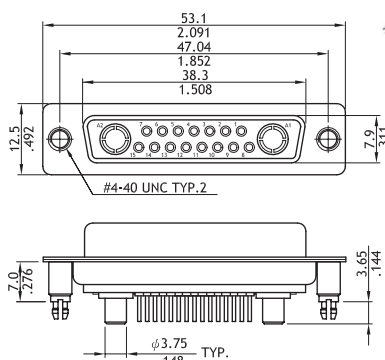
13W3 (Receptacle Connector)



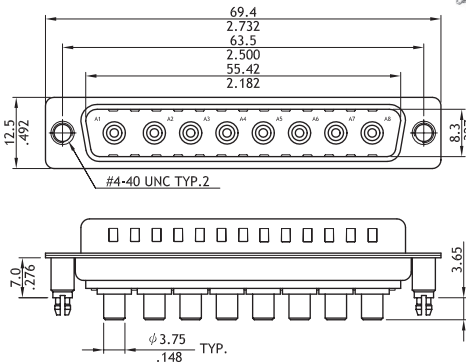
17W2 (Plug Connector)



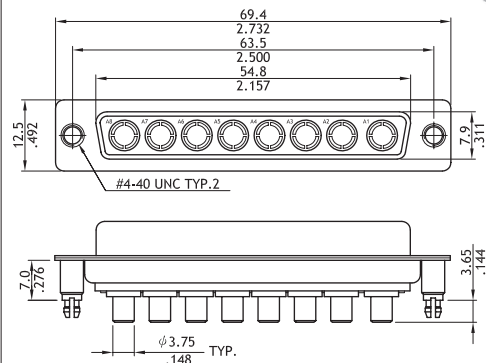
17W2 (Receptacle Connector)



C8W8 (Plug Connector)



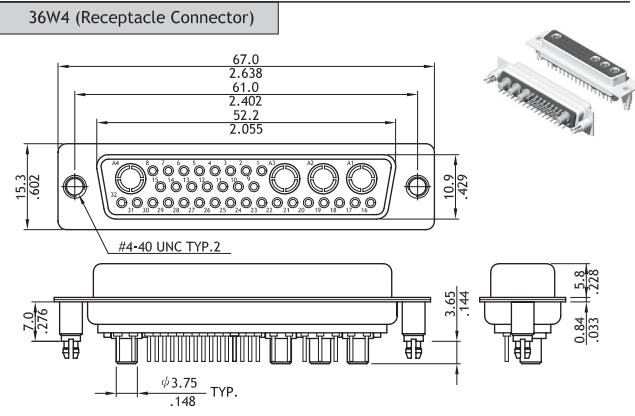
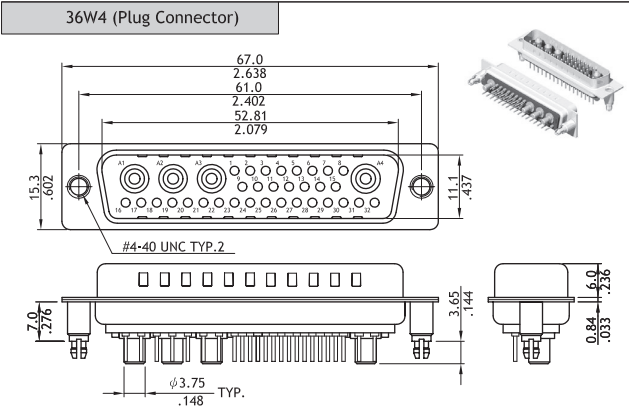
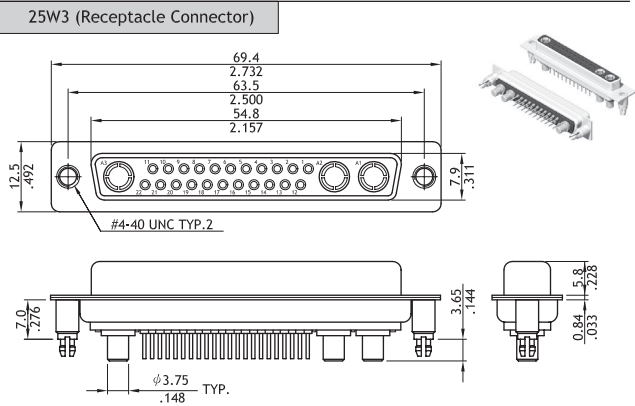
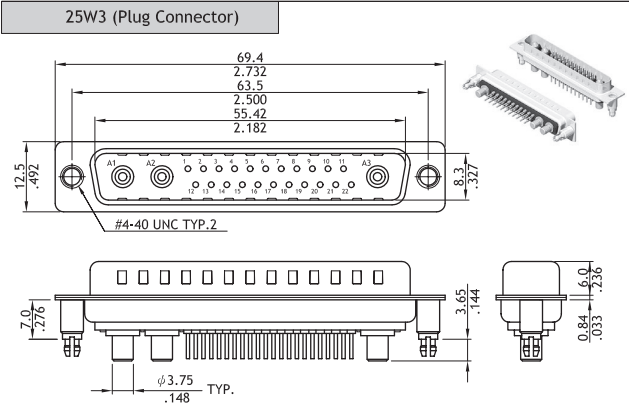
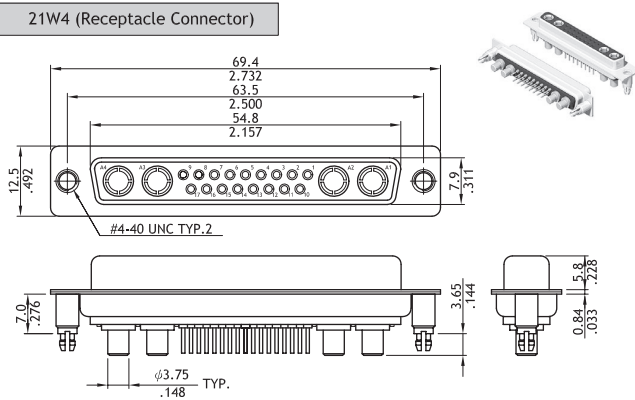
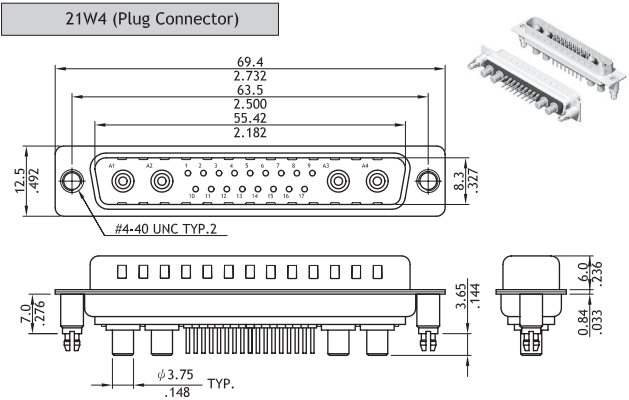
C8W8 (Receptacle Connector)



CD

D-SUB CONNECTORS

40A High Power Straight DIP Solder Combination D-Sub



Ordering Code

①	②	③	④	⑤	⑥	⑦	⑧	⑨
13W3	S	P	V	2	2	1	40	D00

① Series No.: C3W3, 3W3C, C7W2, 11W1, C5W5, 13W3, 17W3, C8W8, 21W4, 25W3, 36W4
 ② Connector Type: P = Plug, S = Receptacle
 ③ Contact Type: P = High power Contact
 ④ Contact Tail Style: V = Straight DIP Type
 ⑤ Coaxial Contact Plating: 2 = Gold flash over Nickel
 ⑥ Signal Contact Plating: 2 = Gold flash over Nickel, 0 = Without Signal Contact
 ⑦ Insulator Color: 1 = Black
 ⑧ Performance: 40 = 40A
 ⑨ Mounting Style:
 000 = With $\phi 3.05$ mm holes on shell
 A00 = Riveted #4-40 UNC Close nuts on Front shell
 B00 = Riveted #4-40 UNC Open nuts on Front shell
 C00 = Riveted #4-40 UNC Open nuts on Rear shell
 D00 = Riveted #4-40 UNC Ground Stand-off (Standard)
 *Special options consult manufacturer

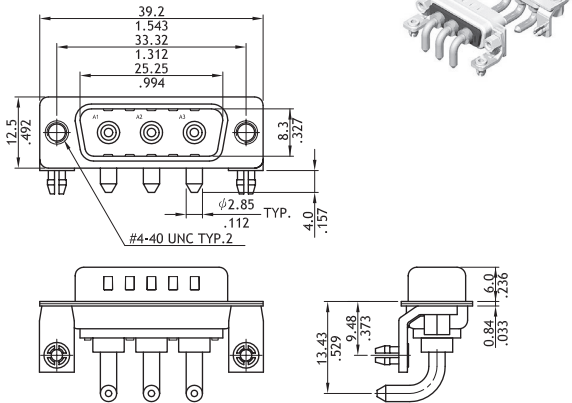
CD
D-SUB CONNECTORS

20A High Power Right Angle DIP Combination D-Sub

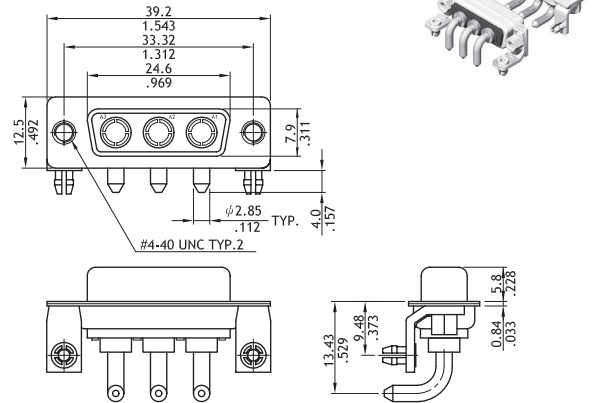
- ⊙ Standard type with #4-40 UNC threaded ground tabs and board locks to secure connector on board
- ⊙ Combined with stamped signal and machined 20A high power contacts
- ⊙ For side entry connection
- ⊙ Metal shell with ground indents
- ⊙ Riveted Hex nuts or hardware accessories options available

RoHS Compliant  

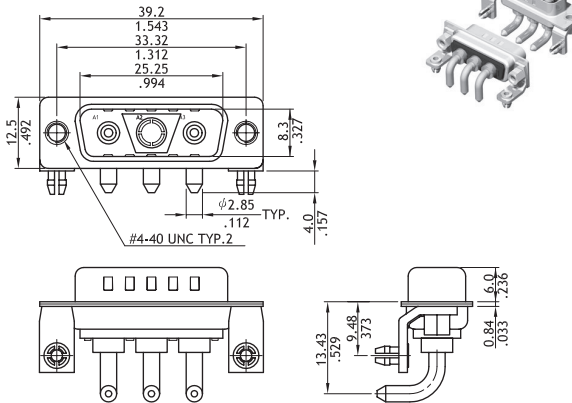
C3W3 (Plug Connector)



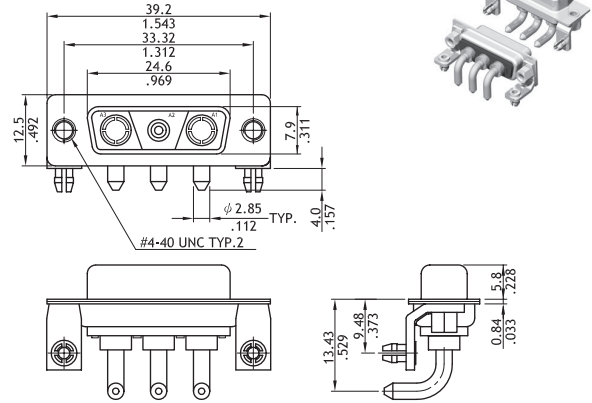
C3W3 (Receptacle Connector)



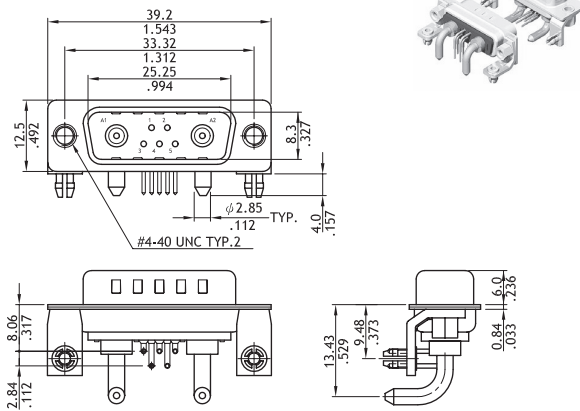
3W3C (Plug Connector)



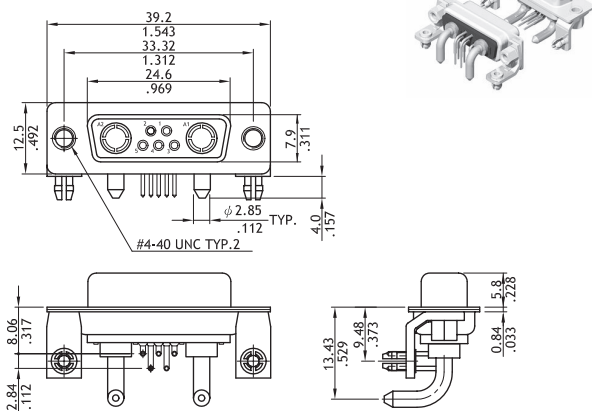
3W3C (Receptacle Connector)



C7W2 (Plug Connector)



C7W2 (Receptacle Connector)

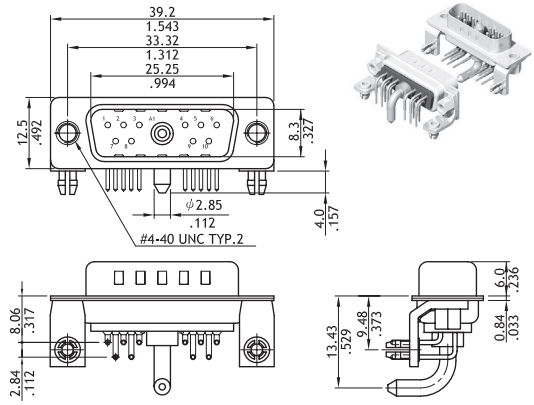


CD

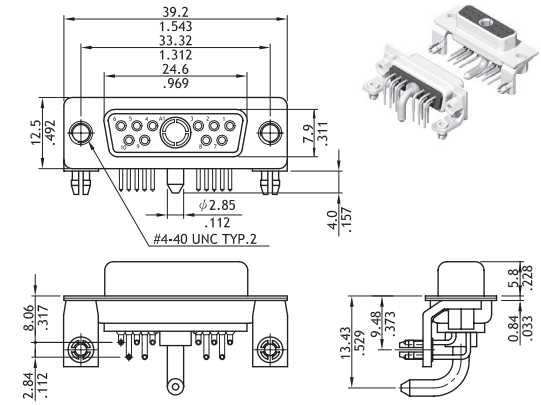
D-SUB CONNECTORS

20A High Power Right Angle DIP Combination D-Sub

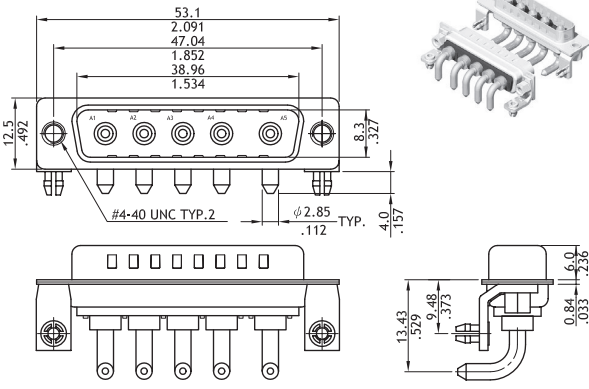
11W1 (Plug Connector)



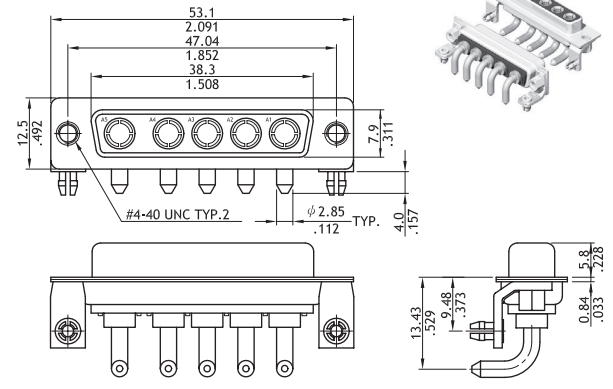
11W1 (Receptacle Connector)



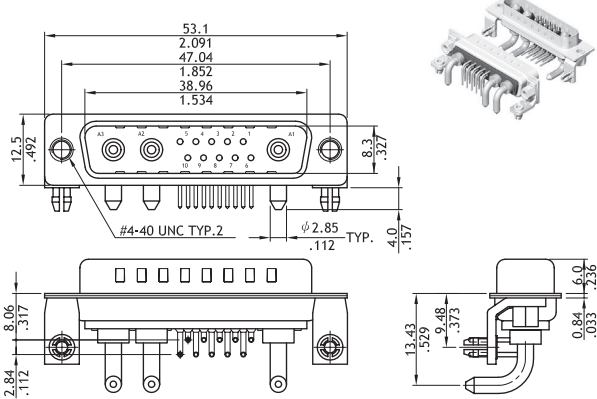
C5W5 (Plug Connector)



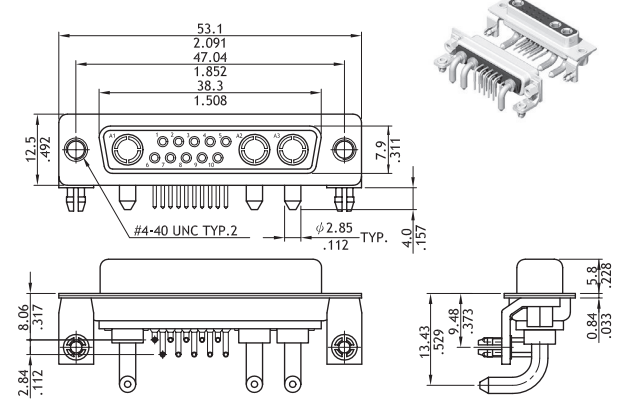
C5W5 (Receptacle Connector)



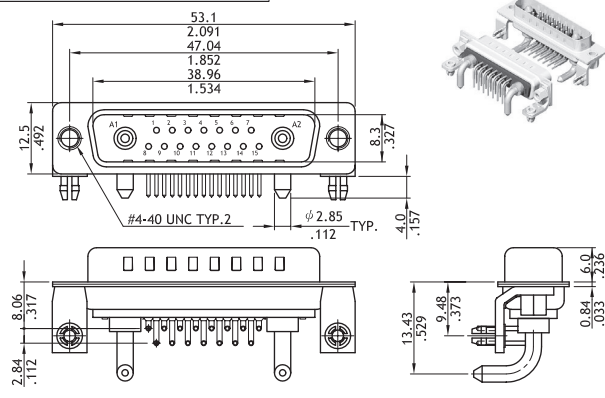
13W3 (Plug Connector)



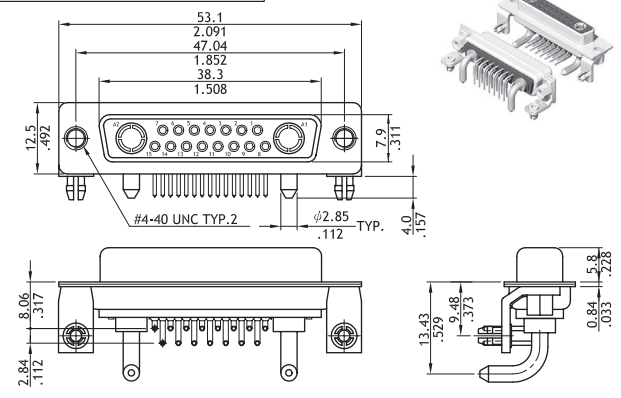
13W3 (Receptacle Connector)



17W2 (Plug Connector)



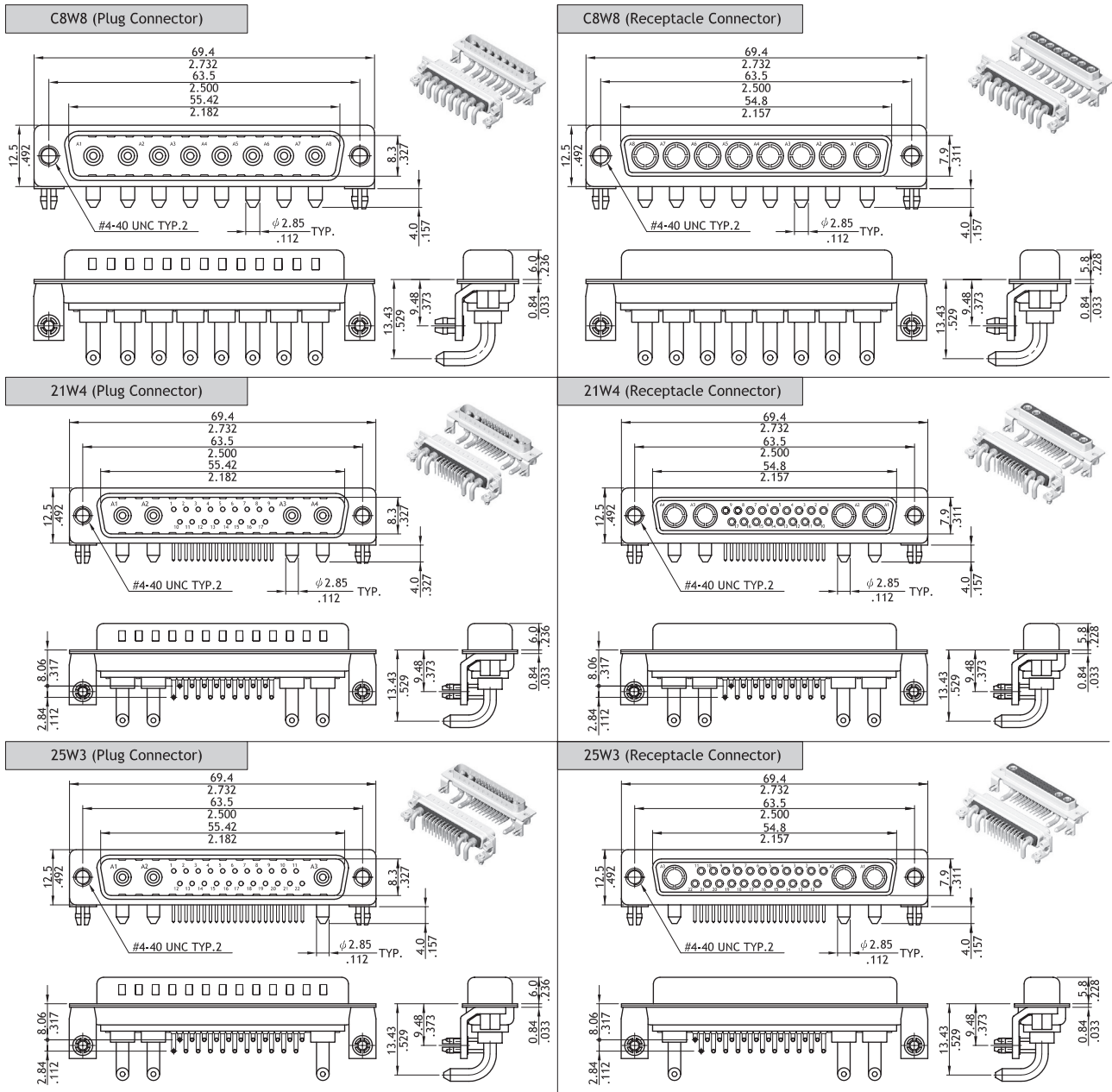
17W2 (Receptacle Connector)



CD

D-SUB CONNECTORS

20A High Power Right Angle DIP Combination D-Sub



Ordering Code

①	②	③	④	⑤	⑥	⑦	⑧	⑨
13W3	S	P	H	2	2	1	2	100

- ① Series No.: C3W3, 3W3C, C7W2, 11W1, C5W5, 13W3, 17W3, C8W8, 21W4, 25W3, 36W4
- ② Connector Type: P = Plug
S = Receptacle
- ③ Contact Type: P = High power Contact
- ④ Contact Tail Style: H = Right Angle DIP Type
- ⑤ High Power Contact Plating: 2 = Gold flash over Nickel
- ⑥ Signal Contact Plating: 2 = Gold flash over Nickel
0 = Without Signal Contact

- ⑦ Insulator Color: 1 = Black
- ⑧ Performance: 20 = 20A
- ⑨ Mounting Style:
000 = With ϕ 3.05mm holes on shell
B00 = Riveted #4-40 UNC Open nuts on Front shell
C00 = Riveted #4-40 UNC Open nuts on Rear shell
100 = Riveted #4-40 UNC Ground tabs with ϕ 3.2mm holes
I10 = Riveted #4-40 UNC Ground tabs with borad locks
*Special options consult manufacturer

CD

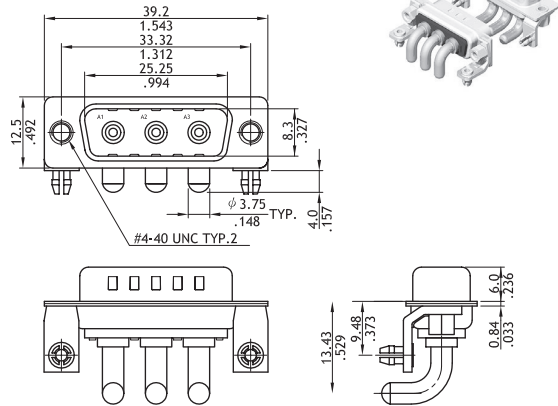
D-SUB CONNECTORS

40A High Power Right Angle DIP Combination D-Sub

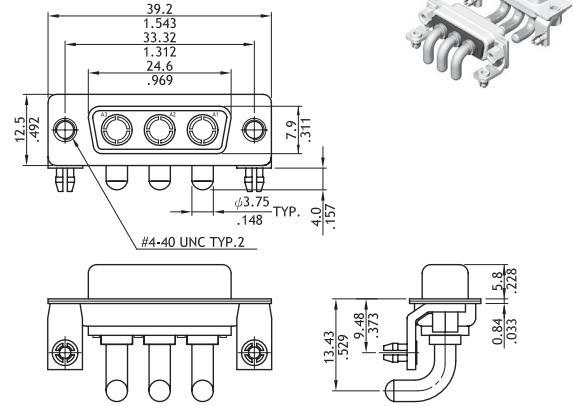
- ⊙ Standard type with #4-40 UNC threaded ground tabs and board locks to secure connector on board
- ⊙ Combined with stamped signal and 40A high power contacts
- ⊙ For side entry connection
- ⊙ Metal shell with ground indents
- ⊙ Riveted Hex nuts or hardware accessories options available

RoHS Compliant

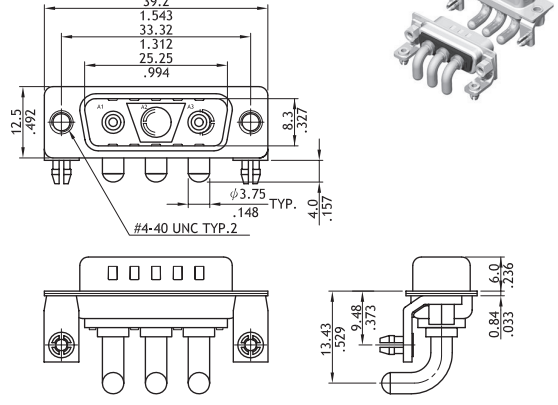
C3W3 (Plug Connector)



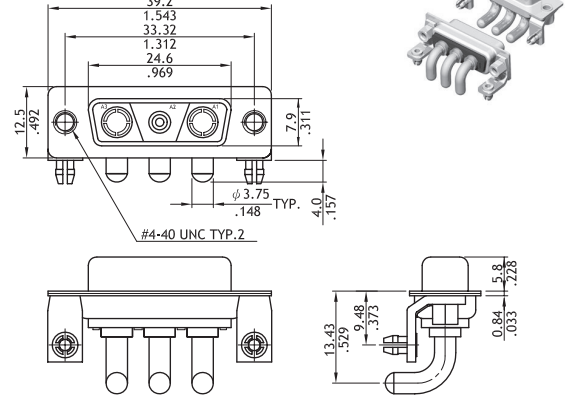
C3W3 (Receptacle Connector)



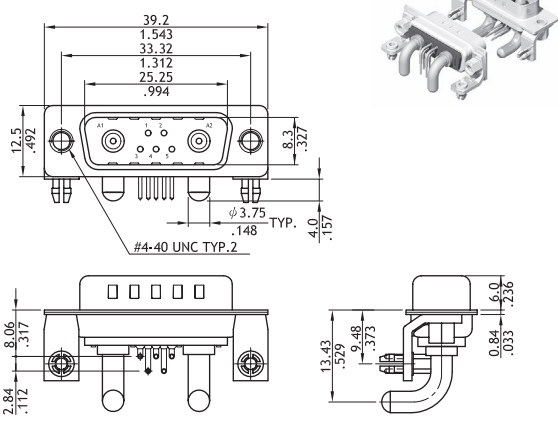
3W3C (Plug Connector)



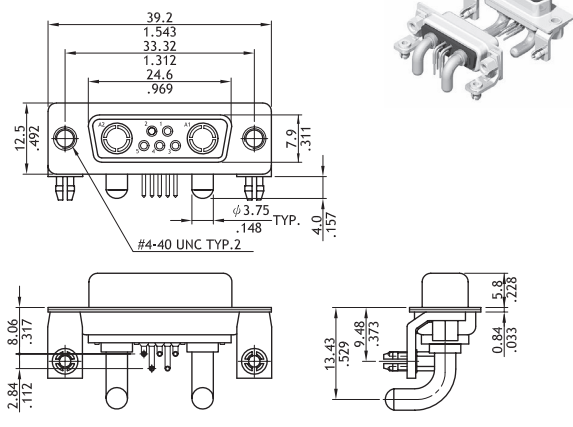
3W3C (Receptacle Connector)



C7W2 (Plug Connector)



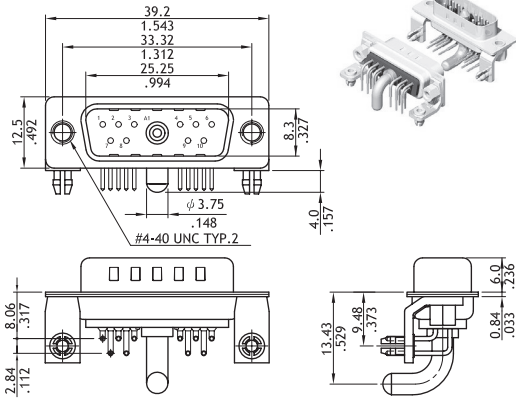
C7W2 (Receptacle Connector)



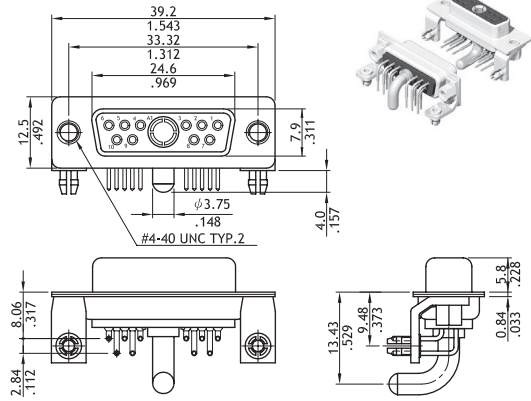
CD
D-SUB CONNECTORS

40A High Power Right Angle DIP Combination D-Sub

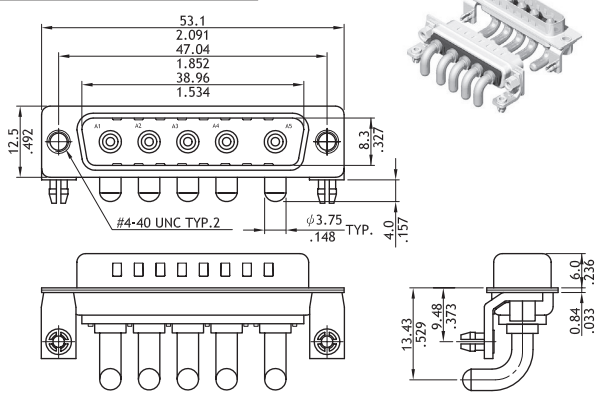
11W1 (Plug Connector)



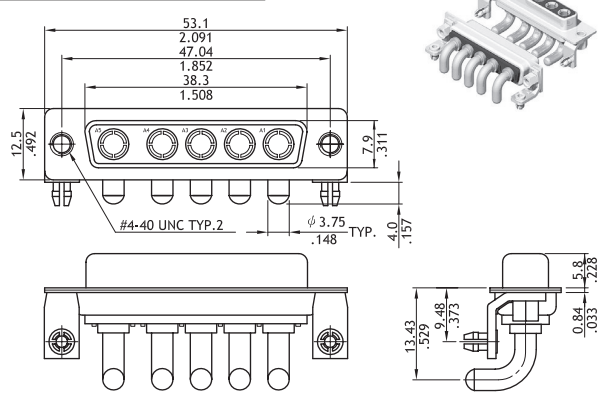
11W1 (Receptacle Connector)



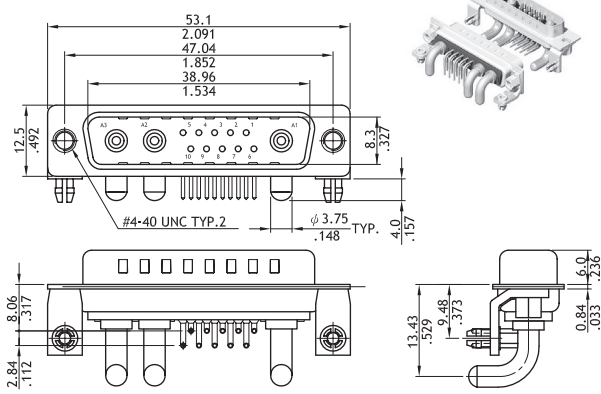
C5W5 (Plug Connector)



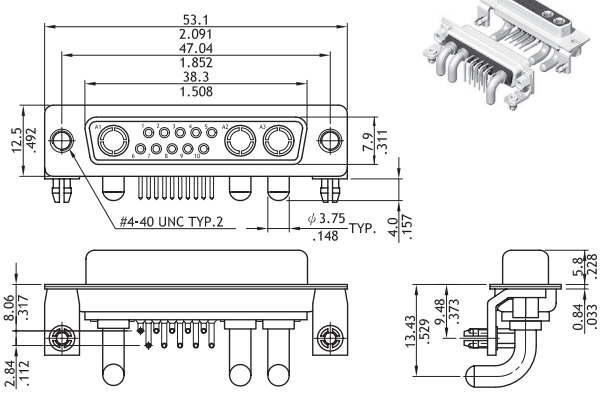
C5W5 (Receptacle Connector)



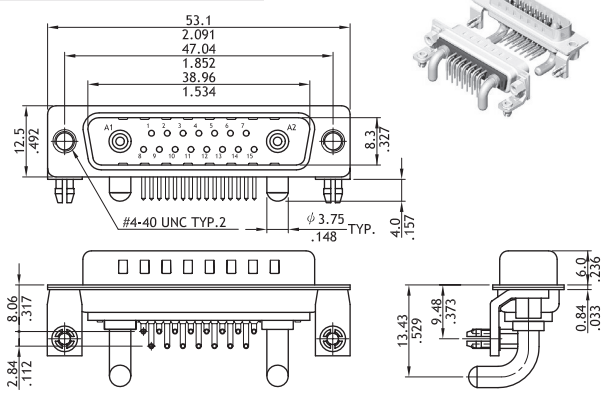
13W3 (Plug Connector)



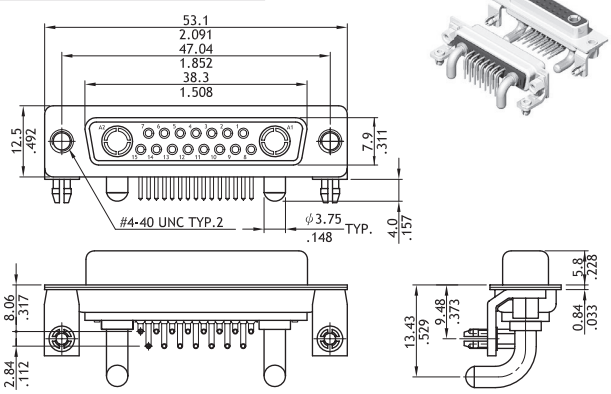
13W3 (Receptacle Connector)



17W2 (Plug Connector)



17W2 (Receptacle Connector)

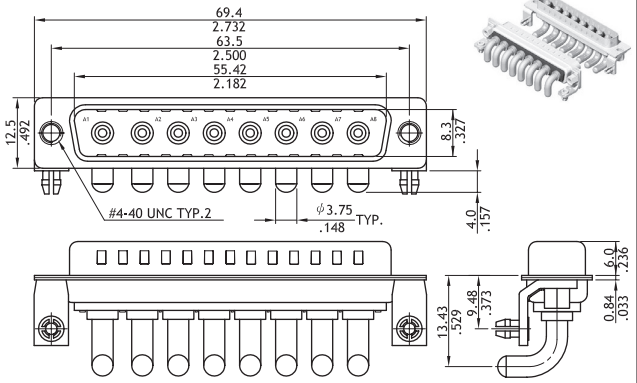


CD

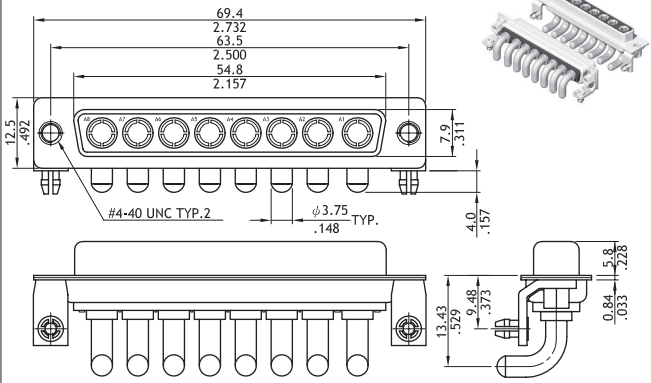
D-SUB CONNECTORS

40A High Power Right Angle DIP Combination D-Sub

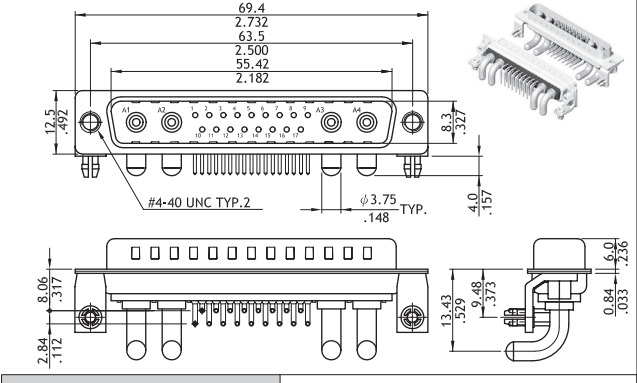
C8W8 (Plug Connector)



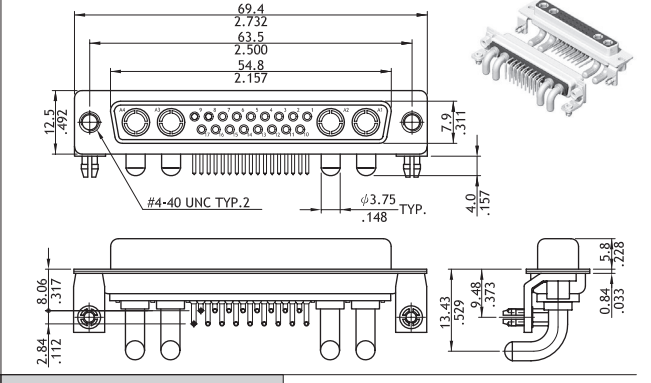
C8W8 (Receptacle Connector)



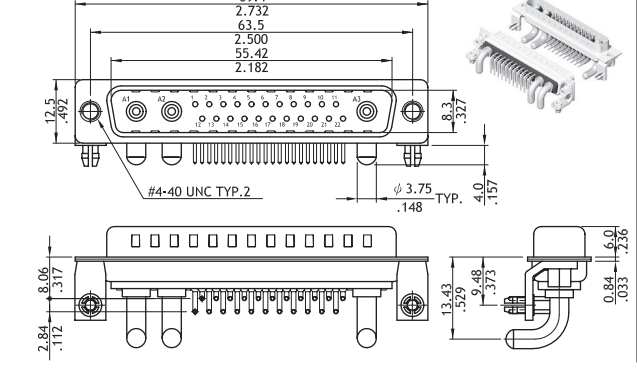
21W4 (Plug Connector)



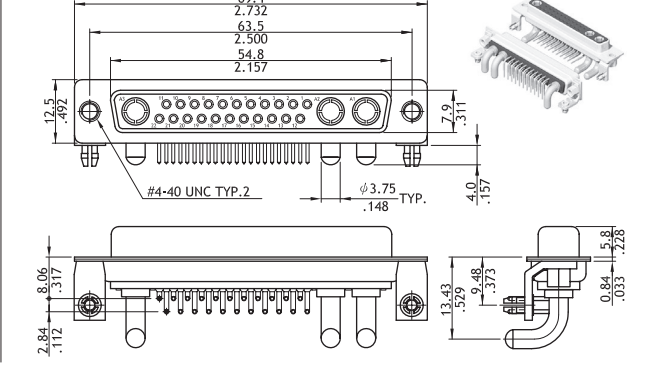
21W4 (Receptacle Connector)



25W3 (Plug Connector)



25W3 (Receptacle Connector)



Ordering Code

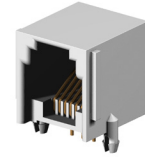
① 13W3 ② S ③ P ④ H ⑤ 2 ⑥ 2 ⑦ 1 ⑧ 40 ⑨ 100

- ① Series No.: C3W3, 3W3C, C7W2, 11W1, C5W5, 13W3, 17W3, C8W8, 21W4, 25W3, 36W4
- ② Connector Type: P = Plug
S = Receptacle
- ③ Contact Type: P = High power Contact
- ④ Contact Tail Style: H = Right Angle DIP Type
- ⑤ High Power Contact Plating: 2 = Gold flash over Nickel
- ⑥ Signal Contact Plating: 2 = Gold flash over Nickel
0 = Without Signal Contact

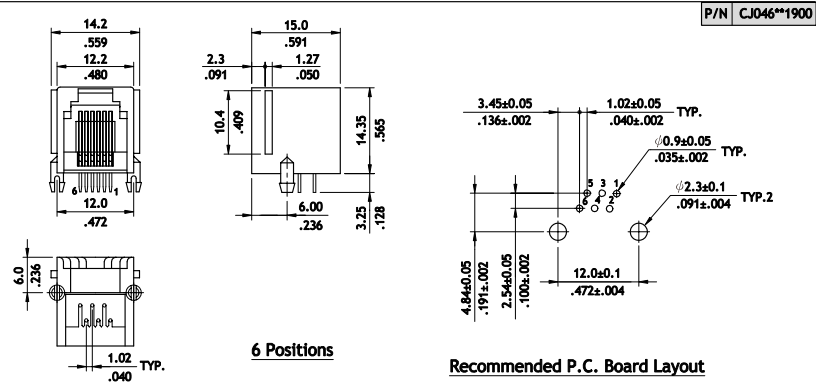
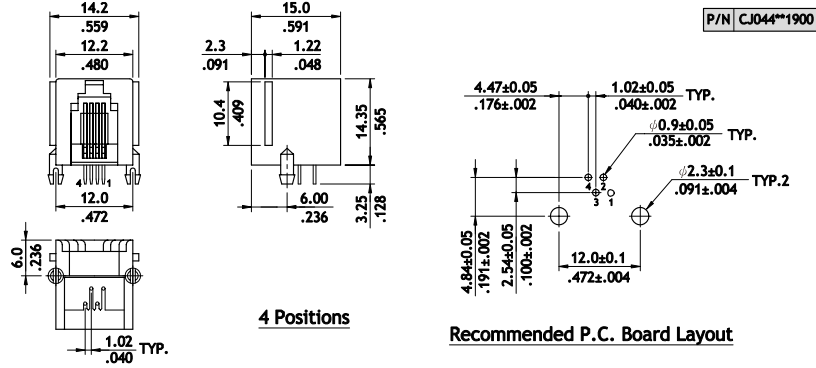
- ⑦ Insulator Color: 1 = Black
- ⑧ Performance: 40 = 40A
- ⑨ Mounting Style:
000 = With φ 3.05mm holes on shell
B00 = Riveted #4-40 UNC Open nuts on Front shell
C00 = Riveted #4-40 UNC Open nuts on Rear shell
I00 = Riveted #4-40 UNC Ground tabs with φ 3.2mm holes
I10 = Riveted #4-40 UNC Ground tabs with board locks (Standard)
*Special options consult manufacturer

CJ04 Series Board Mount Telephone Jacks

- Available in 4 and 6 ways
- Insulator: Gray, Glass Filled polyester
- Flammability Rating: UL 94V-0
- Cavity confirms to FCC rules and regulations PART 68, SUBPART F

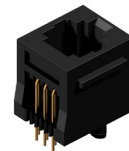


RoHS Compliant

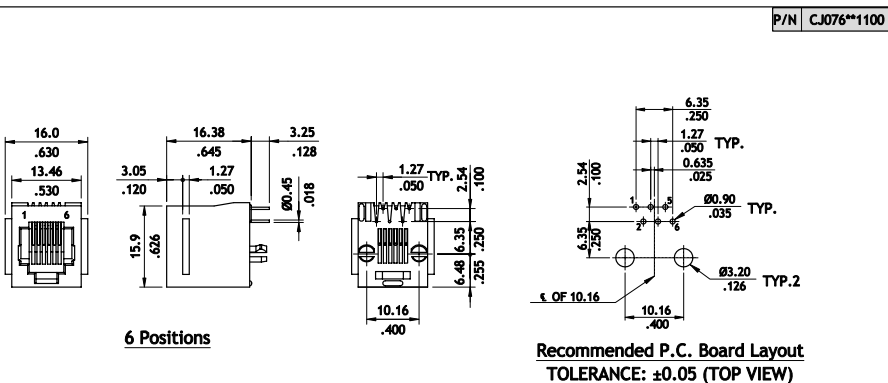
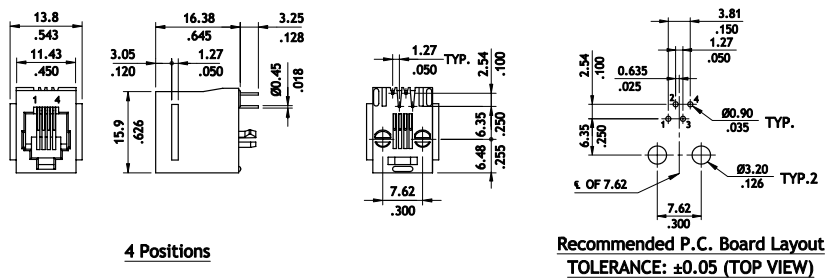


CJ07 Series Board Mount Telephone Jacks

- Available in 4, 6 and 8 ways
- Insulator: Black, Glass Filled polyester
- Cavity confirms to FCC rules and regulations PART 68, SUBPART F

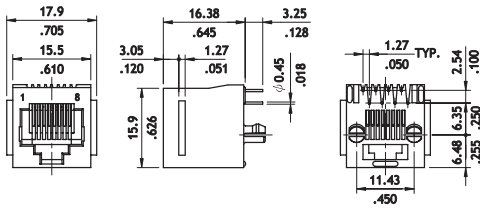


RoHS Compliant

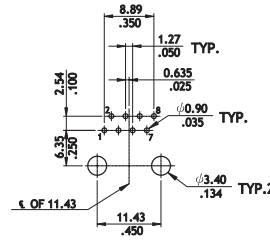


CJ07 Series Board Mount Telephone Jacks

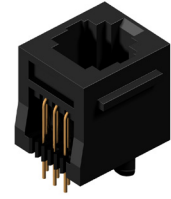
P/N CJ0788**1100



8 Positions



Recommended P.C. Board Layout
TOLERANCE: ±0.05 (TOP VIEW)

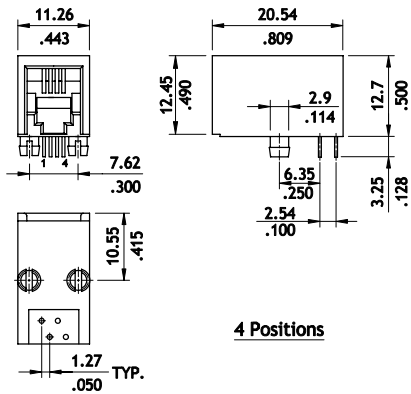


CJ36 Series Board Mount Telephone Jacks

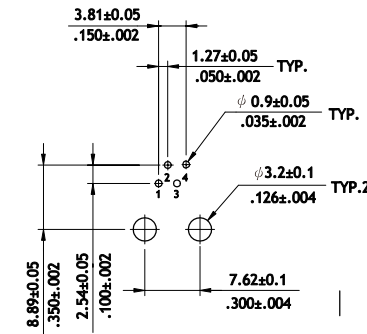
- Available in 4, 6 and 8 ways
- Insulator: Black, Glass Filled polyester
- Flammability Rating: UL 94V-0
- Cavity confirms to FCC rules and regulations

RoHS Compliant

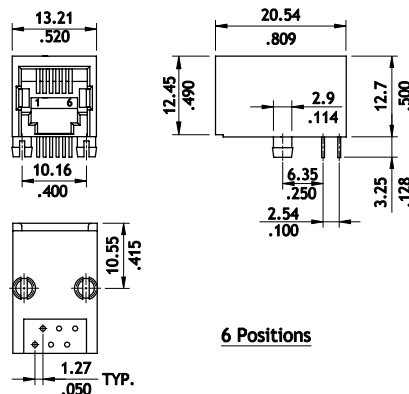
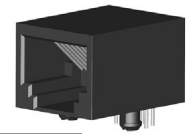
P/N CJ364**1100



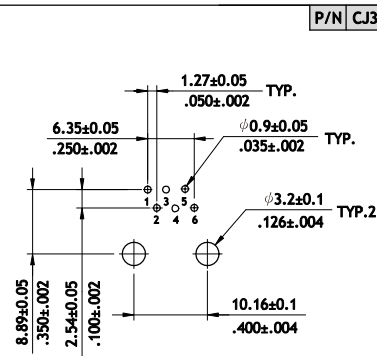
4 Positions



Recommended PC Board Layout

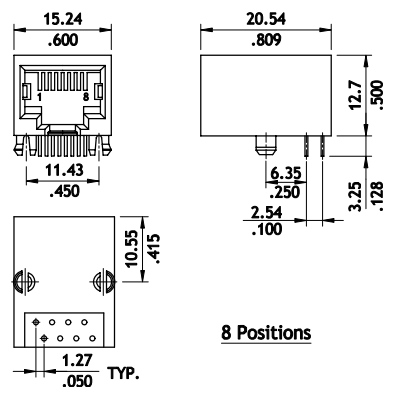


6 Positions

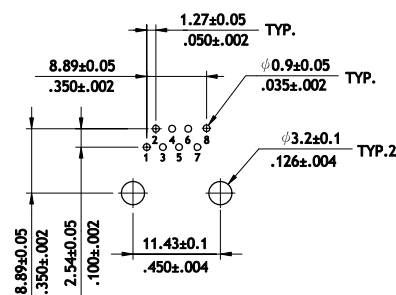


Recommended PC Board Layout

P/N CJ366**1100



8 Positions



Recommended PC Board Layout

P/N CJ368**1100

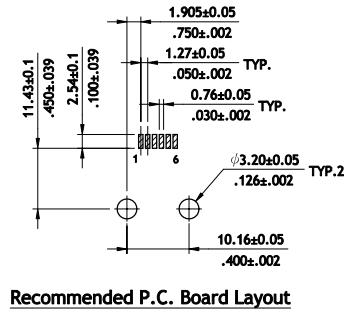
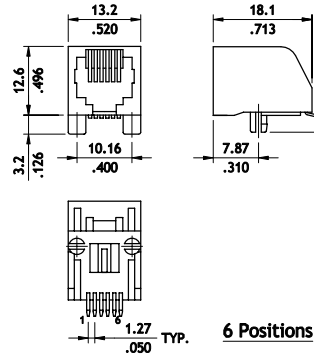
CJ31 Series Board Mount Telephone Jacks

- ⊙ Available in 6, 8 and 10 ways
- ⊙ Insulator: Black, Glass Filled polyester
- ⊙ Flammability Rating: UL 94V-0
- ⊙ Cavity conforms to FCC rules and regulations
- ⊙ PART 68, SUBPART F

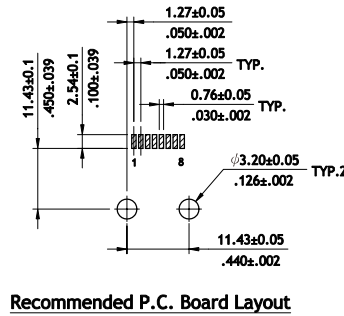
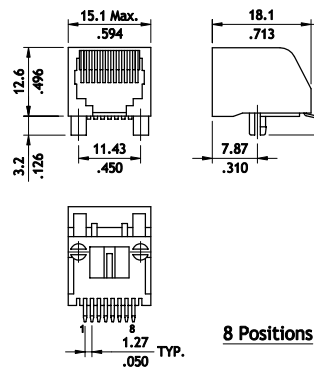


RoHS Compliant

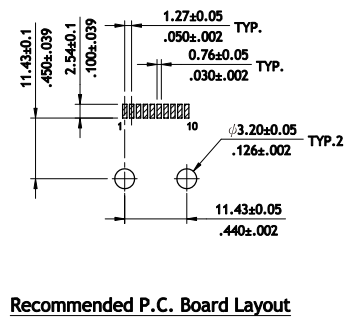
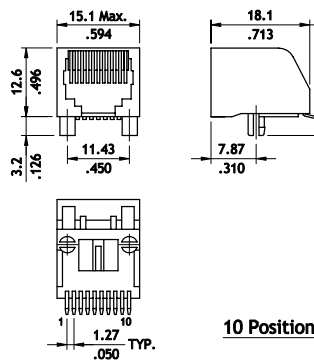
P/N CJ316**115M



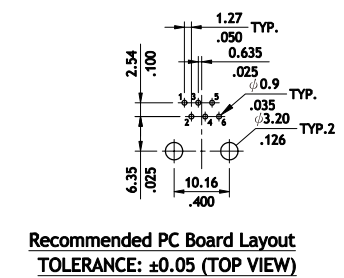
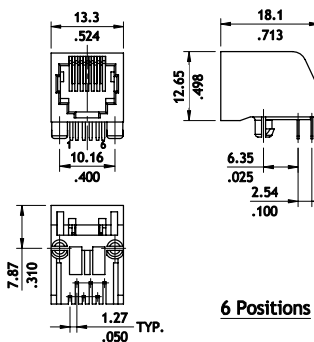
P/N CJ318**115M



P/N CJ31AA**115M



P/N CJ316**1100



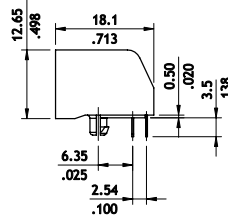
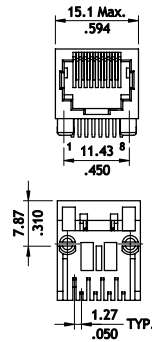
CJ31 Series Board Mount Telephone Jacks

- Available in 6, 8 and 10 ways
- Insulator: Black, Glass Filled polyester
- Flammability Rating: UL 94V-0
- Cavity confirms to FCC rules and regulations
- PART 68, SUBPART F

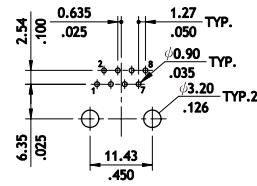


RoHS Compliant

P/N CJ318**1100

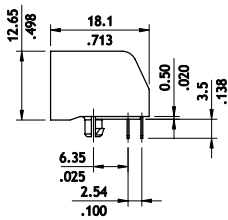
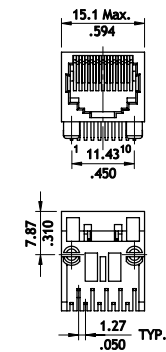


8 Positions

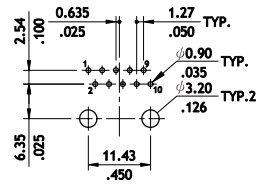


Recommended PC Board Layout
TOLERANCE: ±0.05 (TOP VIEW)

P/N CJ31AA*1100

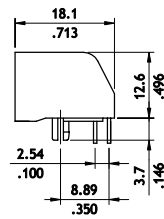
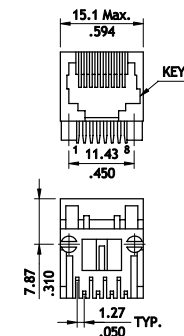


10 Positions

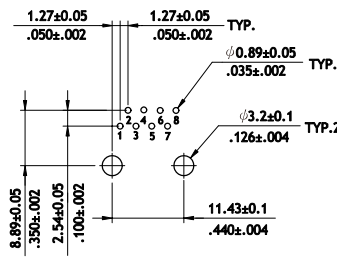


Recommended PC Board Layout
TOLERANCE: ±0.05 (TOP VIEW)

P/N CJ318**110K

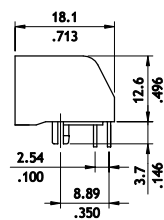
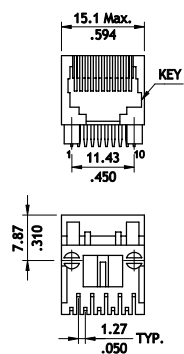


8 Positions

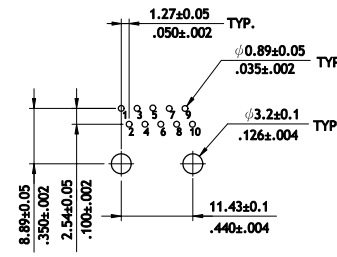


Recommended P.C. Board Layout

P/N CJ31AA*110K



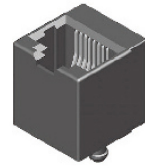
10 Positions



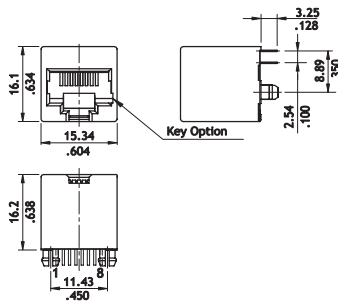
Recommended P.C. Board Layout

CJ46 Series Board Mount Telephone Jacks

- Available in 4, 6 and 8 ways
- Insulator: Black, Glass Filled polyester
- Flammability Rating: UL 94V-0
- Cavity confirms to FCC rules and regulations PART 68, SUBPART F

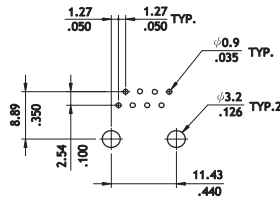


RoHS Compliant



8 Positions

P/N CJ4688*1100



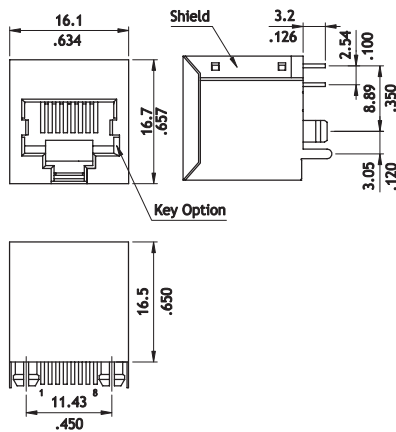
Recommended PC Board Layout
PCB THICKNESS: 1.6mm
TOLERANCE: ±0.05mm (TOP VIEW)

CJ47 Series Board Mount Telephone Jacks

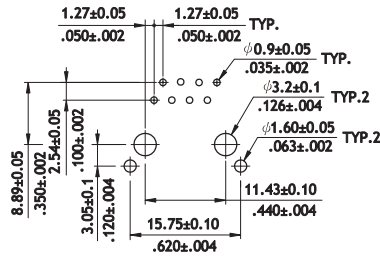
- Available in 8 ways
- Flammability Rating: UL 94V-0
- Cavity confirms to FCC rules and regulations PART 68, SUBPART F



RoHS Compliant



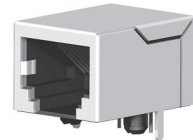
P/N CJ4788*110*



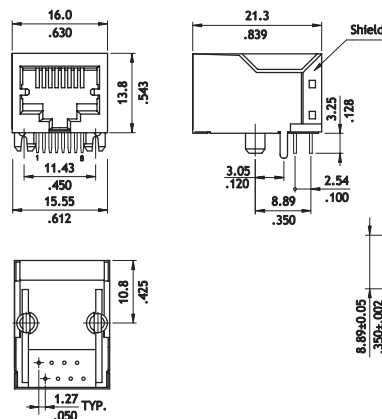
Recommended P.C. Board Layout

CJ58 Series Board Mount Telephone Jacks

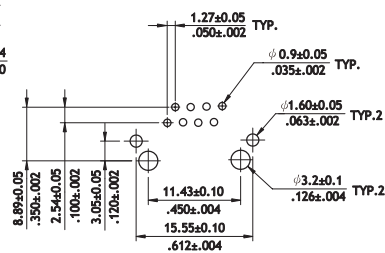
- Available in 8 ways
- Flammability Rating: UL 94V-0
- Cavity confirms to FCC rules and regulations PART 68, SUBPART F



RoHS Compliant



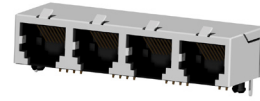
P/N CJ5888*1100



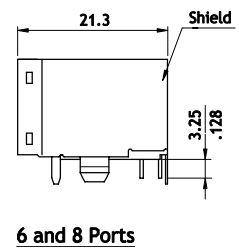
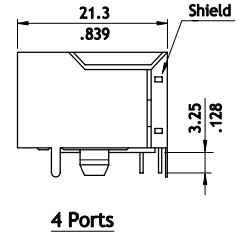
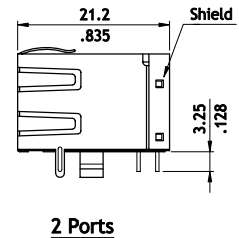
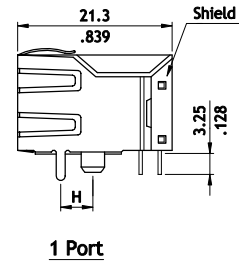
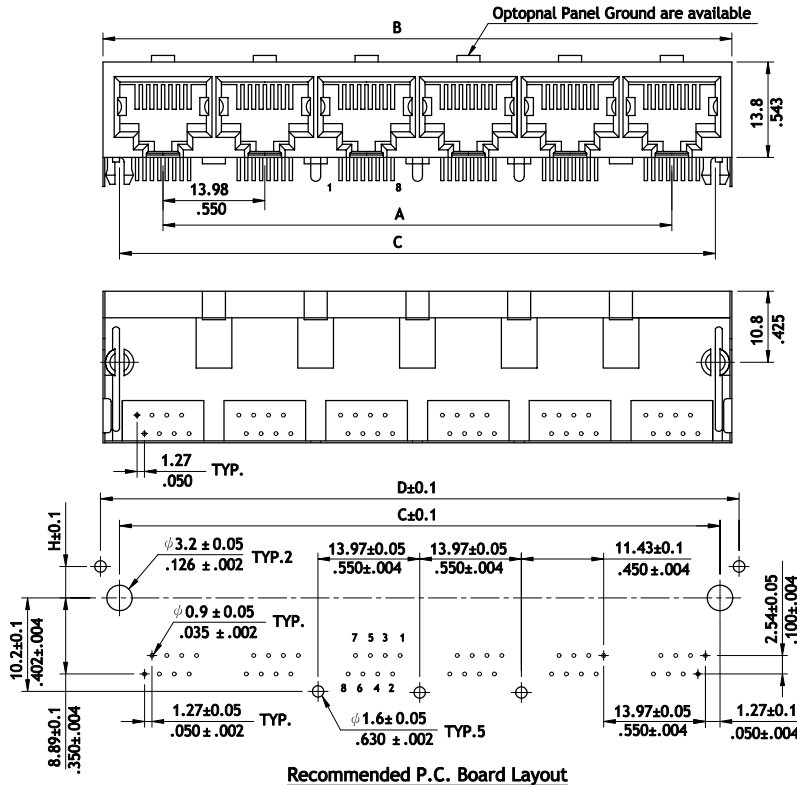
Recommended PC Board Layout

CJ48 Series Board Mount Telephone Jacks

- ⊙ Available in 1, 2, 4, 6 and 8 ports
- ⊙ With metal shielding
- ⊙ With metal grounding and PCB pegs
- ⊙ Insulator: Black, Glass Filled polyester
- ⊙ Flammability Rating: UL 94V-0
- ⊙ Cavity conforms to FCC rules and regulations PART 68, SUBPART F



RoHS Compliant



CviLux P/N	Dimension				
	A	B	C	D	H
CJ4888*11*A	-	-	-	-	4.57(.180)
CJ4888*11*B	-	16.0(.630)	11.43(.450)	15.55(.612)	3.65(.144)
CJ4888*11*C	-	-	-	-	3.05(.120)
CJ4888*21*A	13.98(.549)	31.0(1.220)	25.4(1.000)	30.75(1.211)	4.57(.180)
CJ4888*41*A	41.91(1.650)	59.1(2.327)	53.34(2.100)	58.9(2.319)	4.57(.180)
CJ4888*61*A	69.85(2.750)	87.3(3.437)	81.30(3.201)	86.8(3.417)	4.57(.180)
CJ4888*81*A	97.79(3.850)	114.9(4.523)	109.22(4.300)	114.6(4.512)	4.57(.180)

Ordering Code

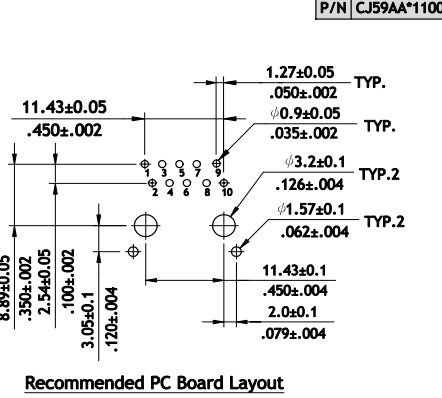
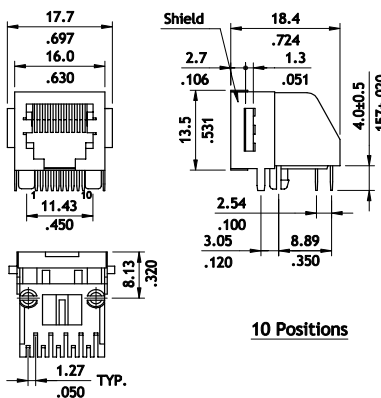
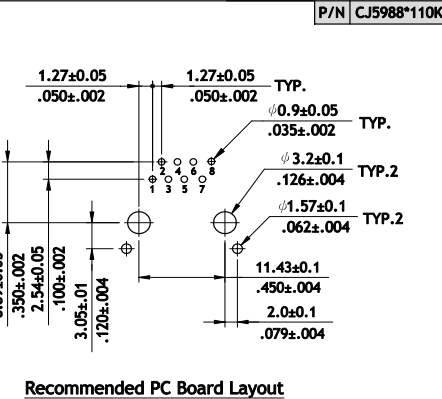
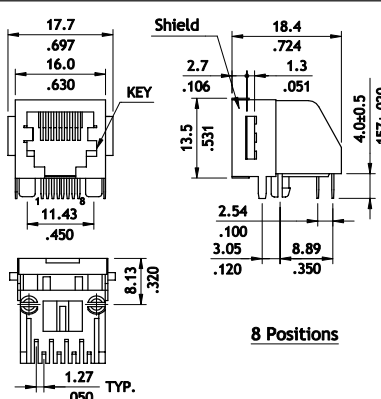
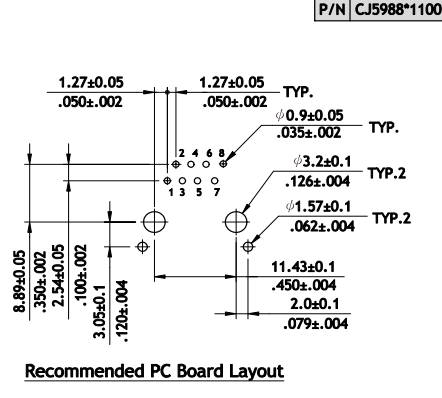
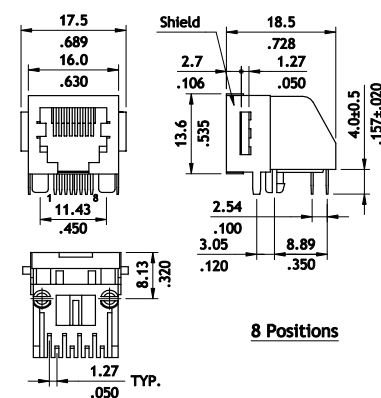
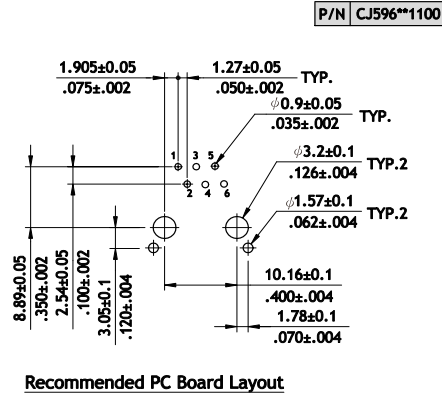
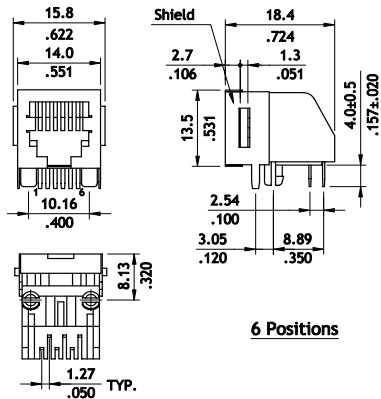
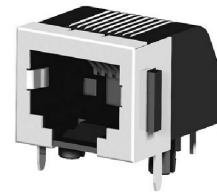
① ② ③ ④ ⑤ ⑥ ⑦
C J 4 8 8 8 2 8 1 0 A

- ① Series No.
- ② No. of Circuits: 88 = 8P8C
- ③ Plating Code:
 2 = Gold flash over Nickel
 *Optional plating available but MOQ requested
- ④ Ports: 1, 2, 4, 6 and 8
- ⑤ Insulator Color: 1 = Color Black
- ⑥ Panel Ground Code:
 0 = Without Panel Ground
 F = With Top & Left Right 3 Panel Ground (only 1 & 2 Ports)
 H = Top Side With Long Panel Ground
 P = Without Panel Ground, With Tabs (only 4 Ports)
- ⑦ H options:
 A: H = 4.57mm
 B: H = 3.65 (only 1 & 2 Ports)
 C: H = 3.05 (only 1 & 2 Ports)
 *Special options consult manufacturer

CJ59 Series Board Mount Telephone Jacks

- ⊙ Available in 6, 8 and 10 ways
- ⊙ Insulator: Black, Glass Filled polyester
- ⊙ Flammability Rating: UL 94V-0
- ⊙ Cavity confirms to FCC rules and regulations
PART 68, SUBPART F

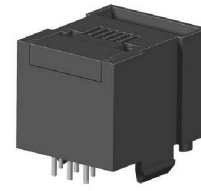
RoHS Compliant



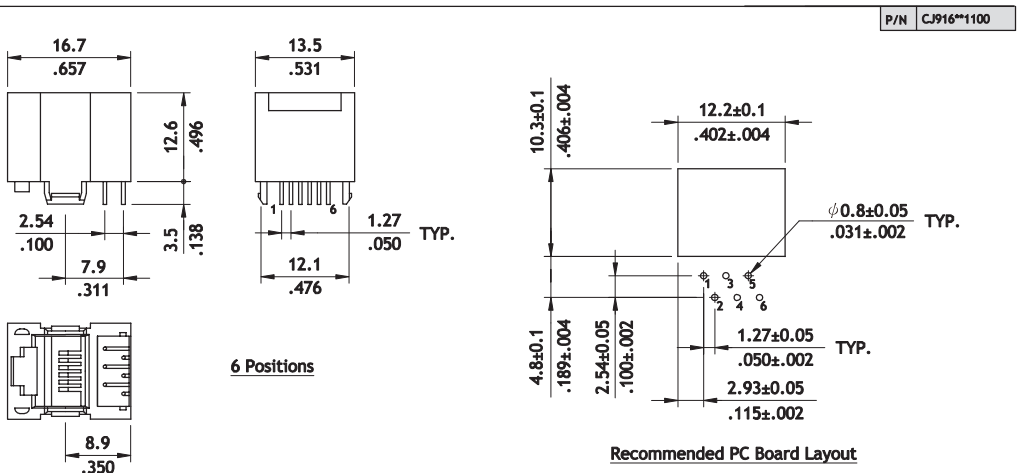
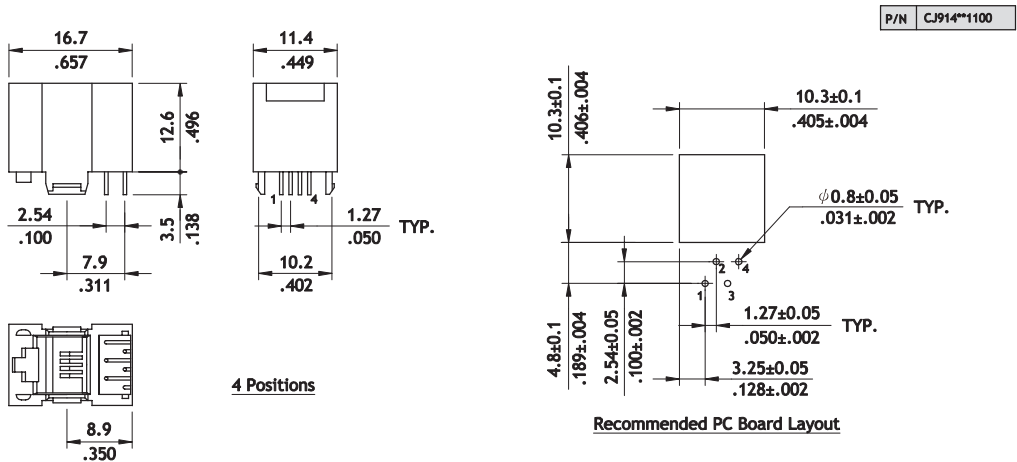
TELEPHONE/MODULAR JACK CONNECTORS

CJ91 Series Board Mount Telephone Jacks

- Ⓞ Available in 4 and 6 ways
- Ⓞ Insulator: Black, Glass Filled polyester
- Ⓞ Flammability Rating: UL 94V-0
- Ⓞ Cavity conforms to FCC rules and regulations PART 68, SUBPART F



RoHS Compliant



Ordering Code

①	②	③	④	⑤	⑥
C	J	9	1	6	6
3	1	1	0	0	

- ① Series No.
- ② No. of Circuits: 44 = 4P4C
42 = 4P2C ; 66 = 6P6C ; 62 = 6P2C
- ③ Plating Code:
2 = Gold flash over Nickel
- ④ Ports : 1=1 port
- ⑤ Insulator Color: 1 = Black
- ⑥ Other Option : 00 = Standard

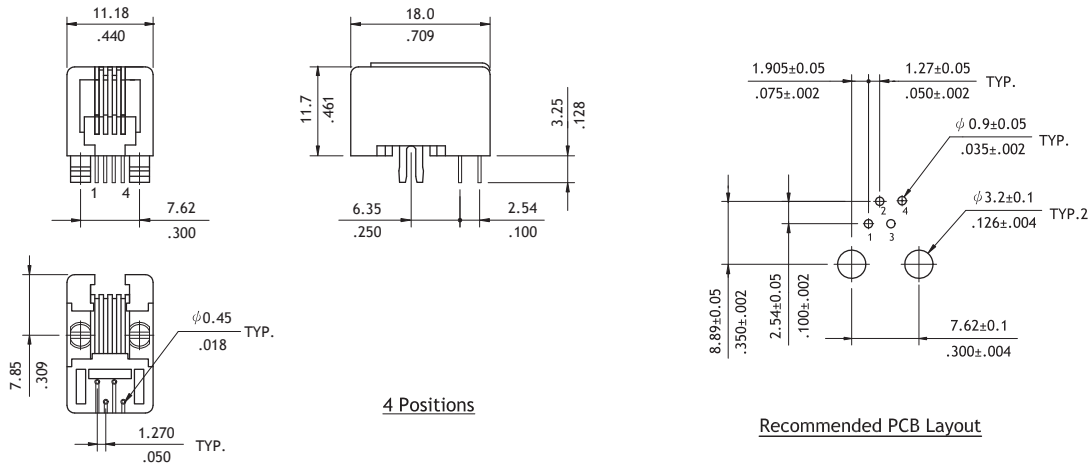
CJ97 Series Board Mount Telephone Jacks

- ⊙ Available in 4, 6 and 8 ways
- ⊙ Insulator: Black, Glass Filled polyester
- ⊙ Flammability Rating: UL 94V-0
- ⊙ Cavity conforms to FCC rules and regulations PART 68, SUBPART F

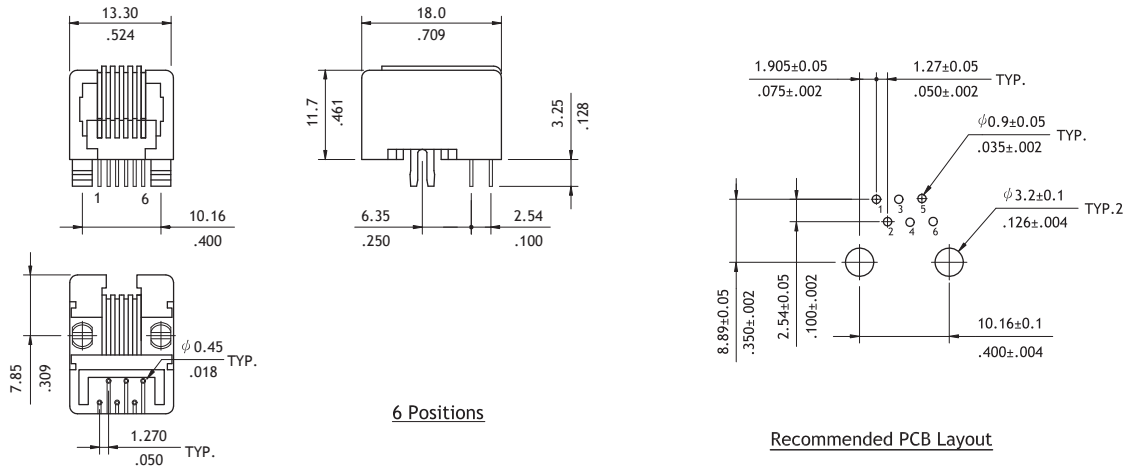


RoHS Compliant

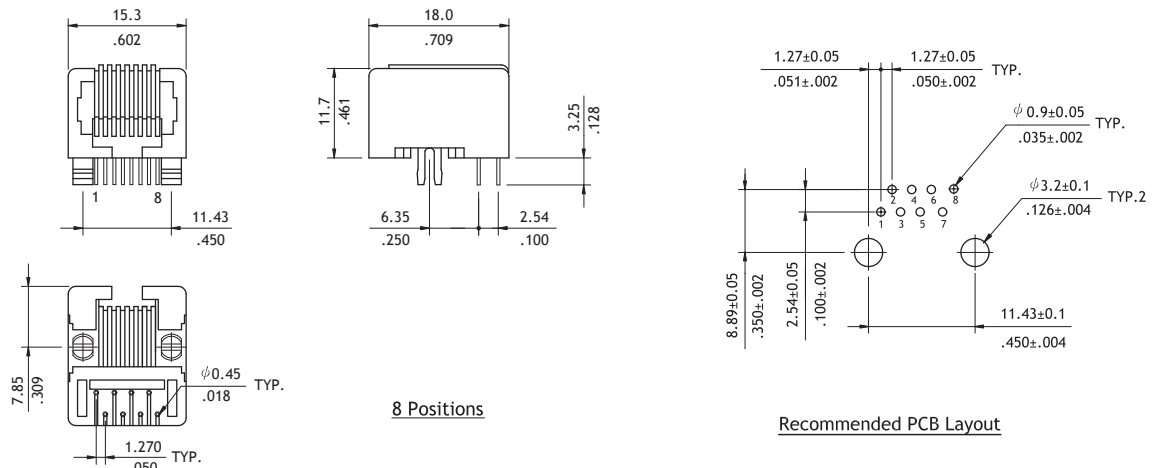
P/N CJ974*21100



P/N CJ976*21100



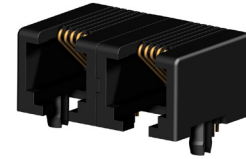
P/N CJ978*21100



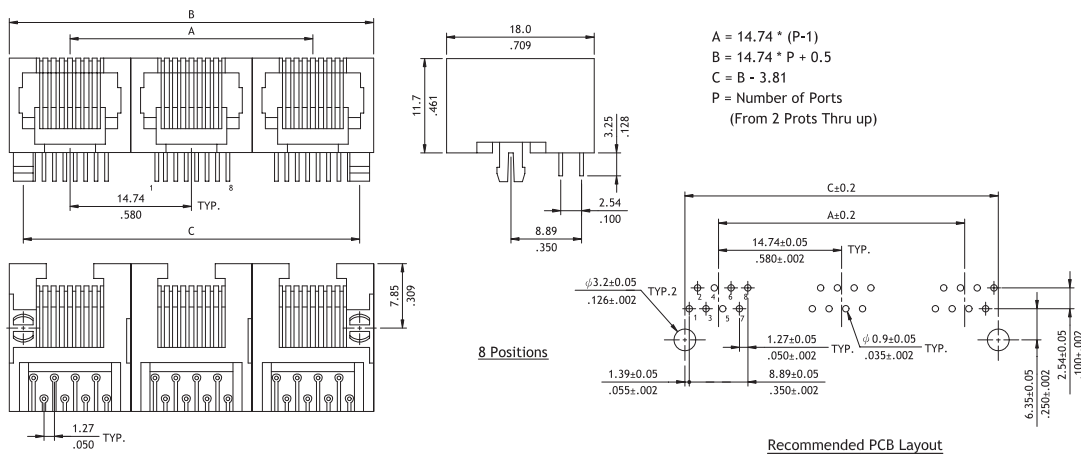
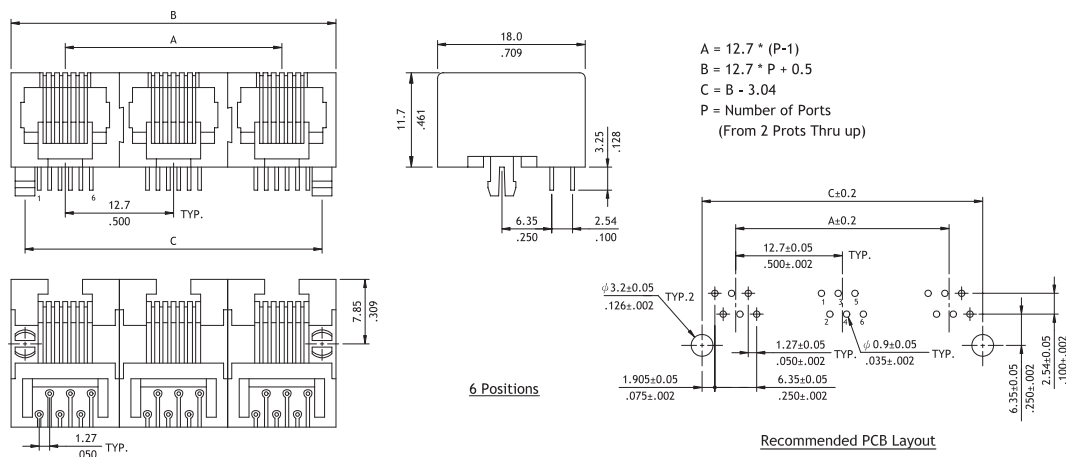
TELEPHONE/MODULAR JACK CONNECTORS

CJ97 Series Board Mount Telephone Jacks

- Ⓞ Available from in 6 and 8 ways
- Ⓞ Insulator: Black, Glass Filled polyester
- Ⓞ Flammability Rating: UL 94V-0
- Ⓞ Cavity confirms to FCC rules and regulations PART 68, SUBPART F



RoHS Compliant



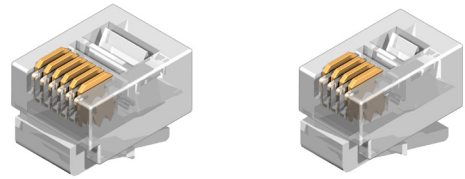
Ordering Code

①	②	③	④	⑤	⑥
CJ97	88	2	6	1	00

- ① Series No.
- ② No. of Circuits: 66 = 6P6C, 64 = 6P4C
62 = 6P2C, 88 = 8P8C
- ③ Plating Code:
2 = Gold flash over Nickel
*Optional plating available but MOQ requested
- ④ Ports: 2 to up ports
- ⑤ Insulator Color: 1 = Black
- ⑥ Panel Ground Code:
00 = Standard
*Special options consult manufacturer

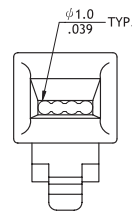
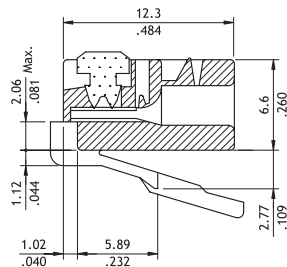
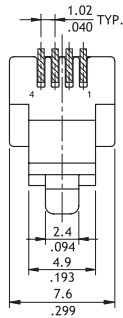
CJP1 Series Telephone Modular Plugs

- ⊙ Available in 4 and 6 ways
- ⊙ Plugs available for stranded or solid conductor from AWG #24~#26
- ⊙ With shielded and fits round or flat-oval cable
- ⊙ Insulator: Clear, polycarbonate

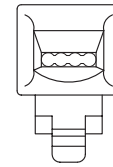


RoHS Compliant

4 Positions

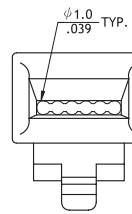
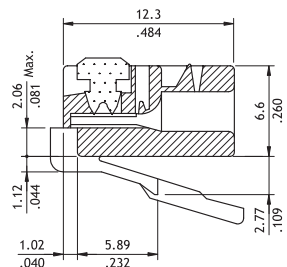
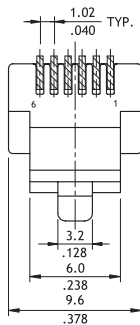


Flat-oval Cable

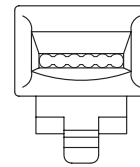


Round Cable

6 Positions



Flat-oval Cable



Round Cable

Ordering Code

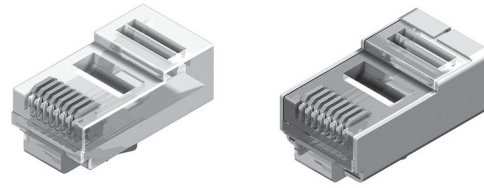
①	②	③	④	⑤	⑥
C J P 1	6 6	2	1	0	F 0

- ① Series No.
- ② No. of Circuits: 44 = 4P4C, 42 = 4P4C
66 = 6P6C, 64 = 6P4C
62 = 6P2C
- ③ Plating Code:
2 = Gold flash over Nickel
*Optional plating available but MOQ requested

- ④ Latch Style: 1 = Standard
- ⑤ Color Code: 0 = Nature
- ⑥ Cable Type:
F0 = Flat-oval Cable
R0 = Round Cable
*Special options consult manufacturer

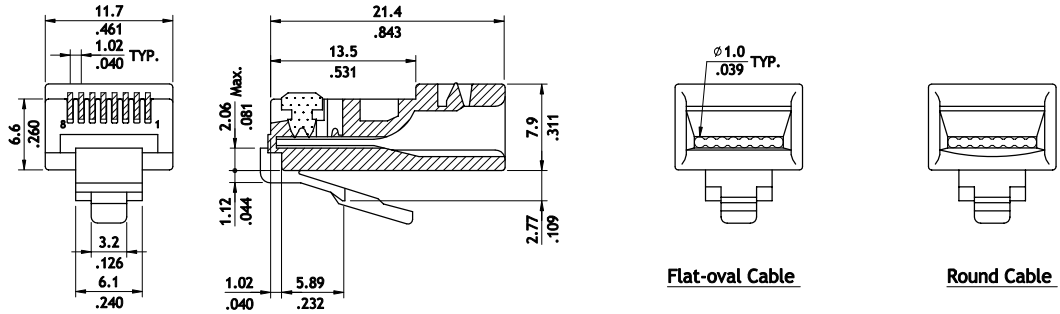
CJP2 Series Telephone Modular Plugs

- ⊙ Available in 8 and 10 ways
- ⊙ Plugs available for stranded or solid conductor from AWG #24 ~ #26
- ⊙ With shielded and fits round or flat-oval cable
- ⊙ Insulator: Clear, Polycarbonate

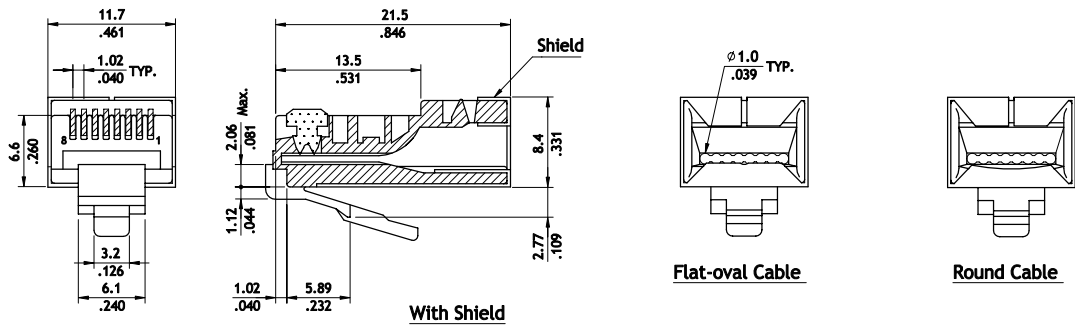


RoHS Compliant

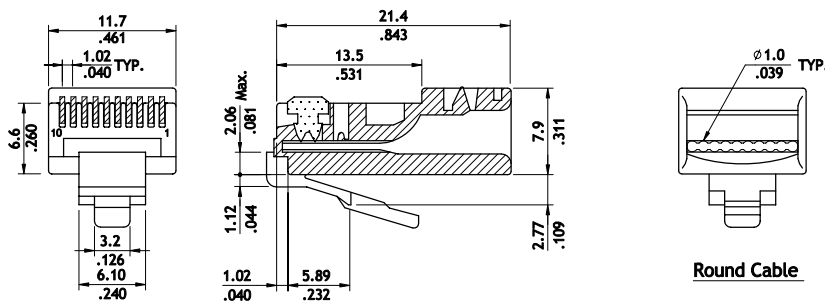
8 Positions



8 Positions



10 Positions



Ordering Code

①	②	③	④	⑤	⑥	⑦
C	J	P	2	8	8	0
2	1	0	R	0		

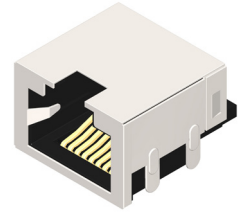
- ① Series No.
- ② No. of Circuits: 88 = 8P8C, AA = 8P10C
- ③ Plating Code:
2 = Gold flash over Nickel
*Optional plating available but MOQ requested
- ④ Latch Style: 1 = Standard
- ⑤ Color Code: 0 = Nature
- ⑥ Cable Type:
F = Flat-oval cable
R = Round cable
- ⑦ Other Options:
0 = Without Shield
R = With Shield
*Special options consult manufacturer

CJB1 Series Telephone Modular Jack RJ45

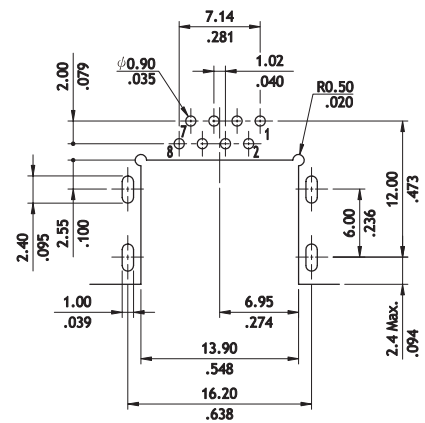
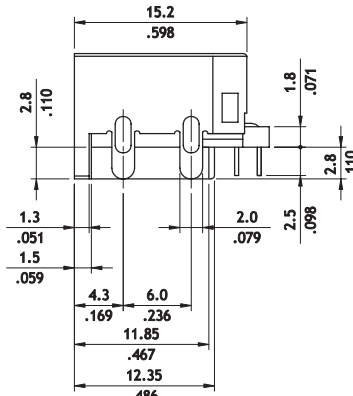
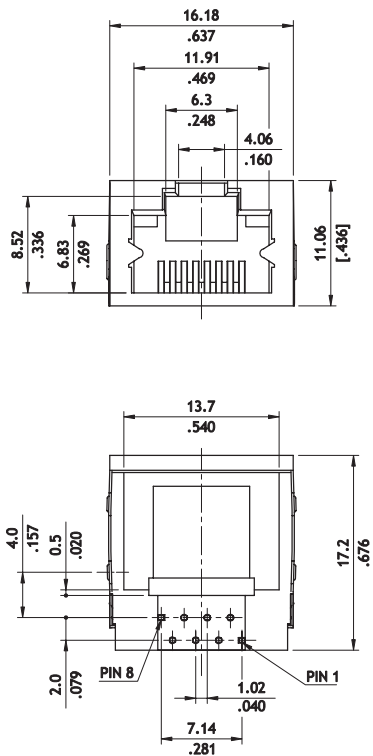
- ⊙ Insulator: Black, Glass Filled Polyester
- ⊙ Flammability Rating : UL 94V-0
- ⊙ Cavity Confirms to FCC rules and regulation PART 68, SUBPART F



RoHS Compliant



P/N **CJB188S110D**



Recommended PC Board Layout
For 1.20mm Thickness

Ordering Code

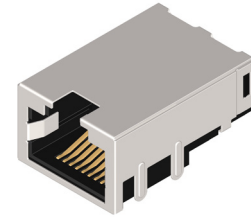
① ② ③ ④ ⑤ ⑥ ⑦
C J B 1 8 8 S 1 1 0 D

- ① Series No.
- ② No. of Circuits: 8
- ③ Solder tails : 8 = 08
- ④ Plating Code:
S=Contact: 50μ"Gold plated over Nickel
Solder tails: Gold flash plated over Nickel
- ⑤ Port : 1= 1 port
- ⑥ Insulator Color : 1= Black
- ⑦ Other Options:
0D= Without Panel Ground & LED

CJCJ Series Telephone Modular Jack RJ45

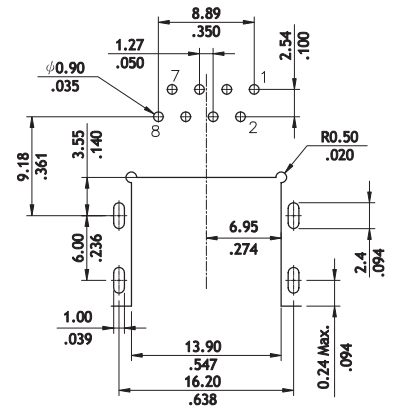
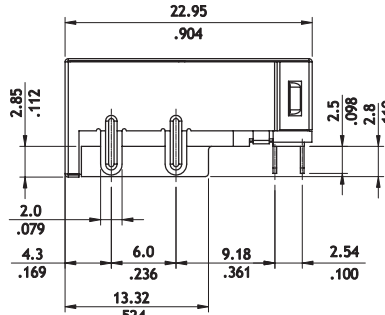
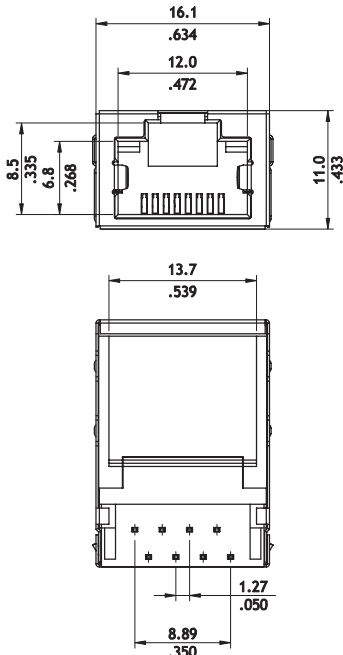
- Ⓞ Low profile and available in 8ways
- Ⓞ For 10/100 Base-T application
- Ⓞ Insulator : Black, Glass Filled polyester
- Ⓞ Flammability Rating UL94V-0

NEW

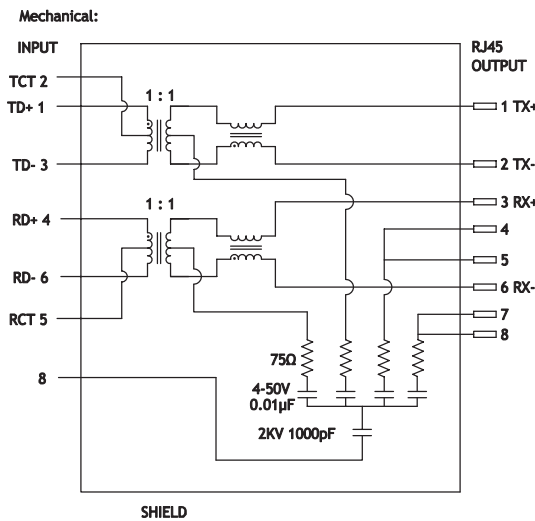


RoHS Compliant

P/N CJCJ88CA100



Recommended P.C. Board Layout



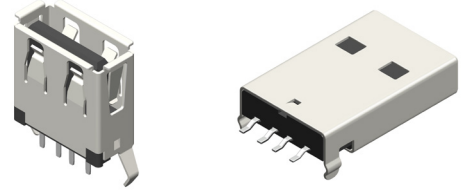
Ordering Code

① ② ③ ④ ⑤ ⑥ ⑦ ⑧
C J C J 8 8 C A 1 0 0

- ① Series No.
- ② Contact :
- ③ Solder tails :
- ④ Plating Code:
C = Selective 30μ" Gold flash over Nickel
- ⑤ Transformer Type : A=Type
- ⑥ Insulator Color : 1= Black
- ⑦ Panel Ground Options:
0= Without Panel Ground & LED
- ⑧ Other Option : 0 = Standard

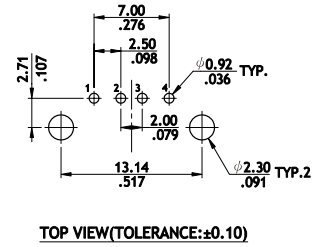
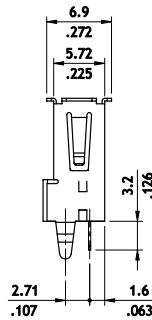
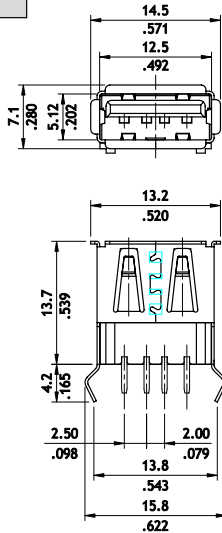
CU01 Series USB2.0 Type-A Board Mount Receptacle and SMT Plug Connectors

- High durability and long cycle life
- Designed to meet the USB 2.0 specifications

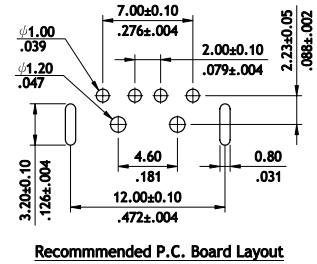
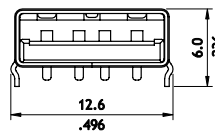
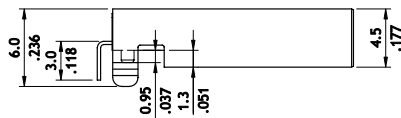
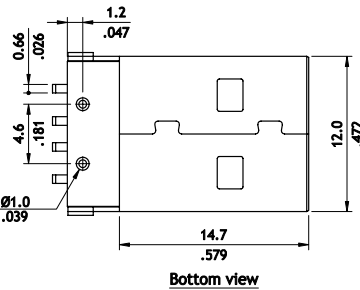
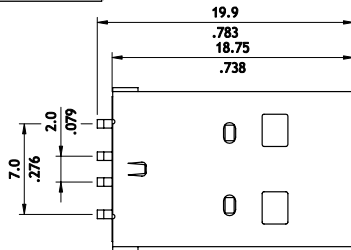


RoHS Compliant

P/N CU01S*V*S00



P/N CU01P*H*00A



Ordering Code

① ② ③ ④ ⑤ ⑥ ⑦
C U 0 1 S A V 0 S 0 0

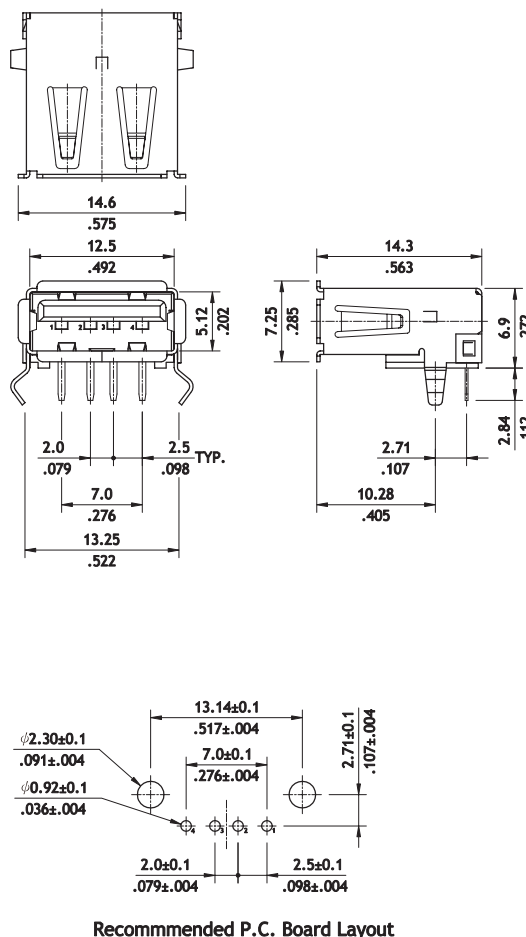
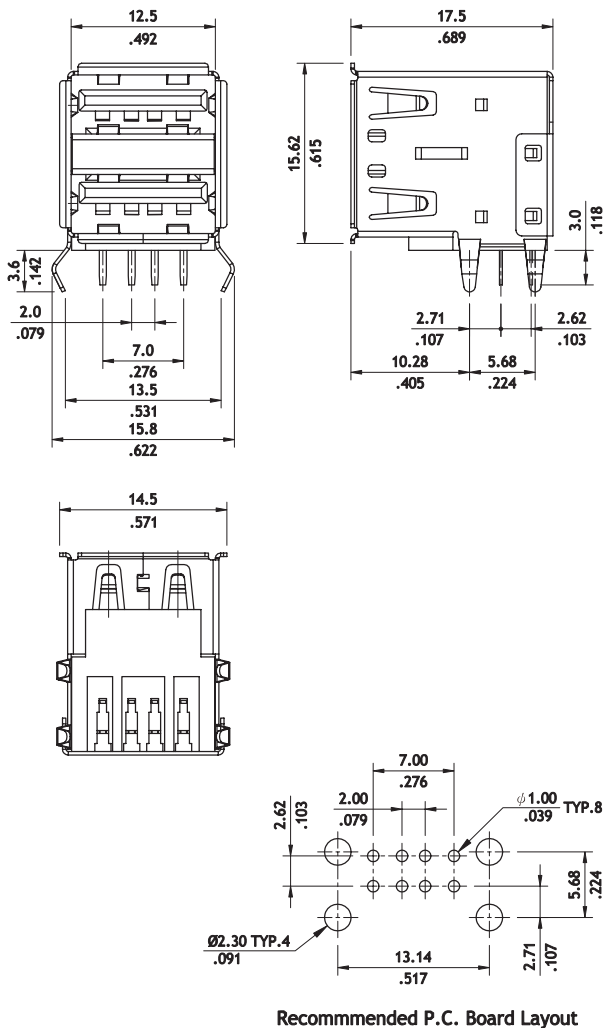
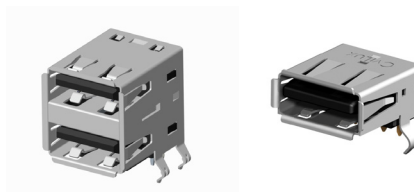
- ① Series No.
- ② S = Socket
- ③ Plating Code :
 A = Selective Gold flash over Nickel
 C = Selective 30µ" Gold flash over Nickel
- ④ V= Straight DIP
- ⑤ Insulator Color : 1= Black , 0 = White
- ⑥ S = Single port
- ⑦ Options: 00 = Standard

① ② ③ ④ ⑤ ⑥
C U 0 1 P A H 1 0 0 A

- ① Series No.
- ② P= Plug
- ③ A = Selective Gold flash over Nickel
 C = Selective 30µ" Gold flash over Nickel
- ④ H= Right Angle
- ⑤ Insulator Color : 1 = Black , 0 = White
- ⑥ Options: 00A = Standard

CU01 Series USB2.0 Type-A Board Mount Receptacle Connectors

- High durability and long cycle life
- Designed to meet the USB 2.0 specifications



Ordering Code						
①	②	③	④	⑤	⑥	⑦
C	U01	S	A	H	1	D
① Series No.	② S = Socket	③ Plating Code :	④ H= Right Angle	⑤ Insulator Color : 1= Black	⑥ D = Dual port	⑦ Options: 0C = Without Spring Tab
A = Selective Gold flash over Nickel	C = Selective 30µ" Gold flash over Nickel					
①	②	③	④	⑤	⑥	⑦
C	U01	S	A	H	1	S
① Series No.	② S = Socket	③ A = Selective Gold flash over Nickel	④ H= Right Angle	⑤ Insulator Color : 1 = Black , 0 = White	⑥ S = Single port	⑦ Options: 00 = Standard
C = Selective 30µ" Gold flash over Nickel						

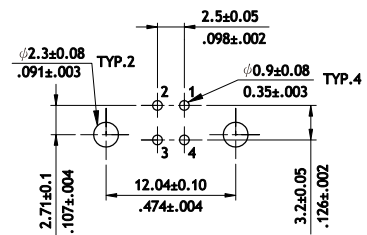
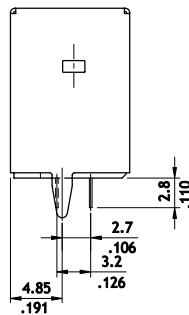
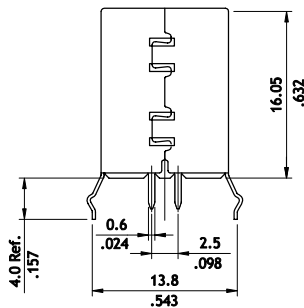
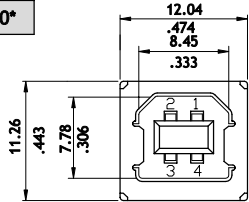
CU02 Series USB2.0 Type-B Board Mount Receptacle Connectors

- ① 4-position shielded receptacle connector
- ① High durability and long cycle life
- ① Designed to meet the USB 2.0 specifications
- ① USB 2.0 Approved Test ID: 60000738

RoHS Compliant

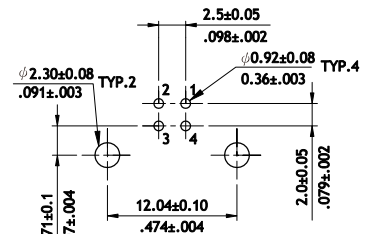
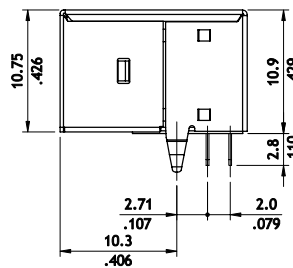
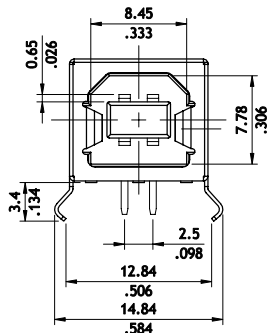
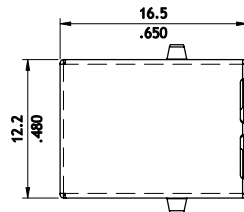


P/N CU02S*V*00*



Recommended PCB Layout

P/N CU02S*H*000



Recommended PCB Layout

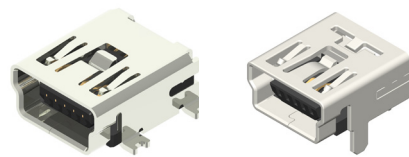
Ordering Code

① ② ③ ④ ⑤ ⑥
CU02 S A H 0 000

- ① Series No.
- ② S = Socket
- ③ Plating Code :
A = Selective Gold flash over Nickel
- ④ Tail Type : V = Straight DIP Type
H = Right Angle DIP Type
- ⑤ Insulator Color: 1 = Black ; 0 = White
- ⑥ Other Option : 000=Standard

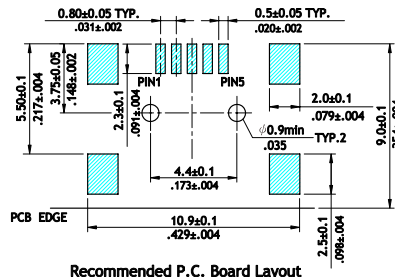
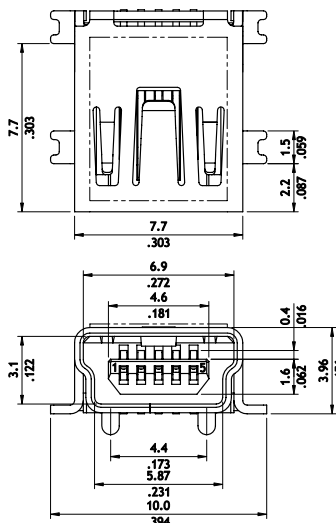
CU04 Series Mini USB2.0 5 Circuits Receptacle SMT/DIP Connectors

- ⊙ High temperature plastic insulator
- ⊙ With fixed tabs and ground pegs
- ⊙ Grounding fingers provide locking feature and plug retention

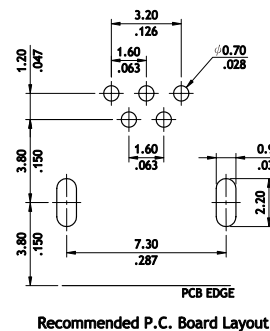
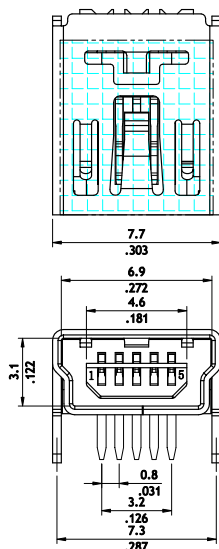


RoHS Compliant

P/N CU04S*M15B0-0-NH



P/N CU04S*H15BC-R0-NH



Ordering Code

① ② ③ ④ ⑤ ⑥ ⑦ ⑧ ⑨ ⑩
CU04 S A M 1 5 B 0 - R0 - NH

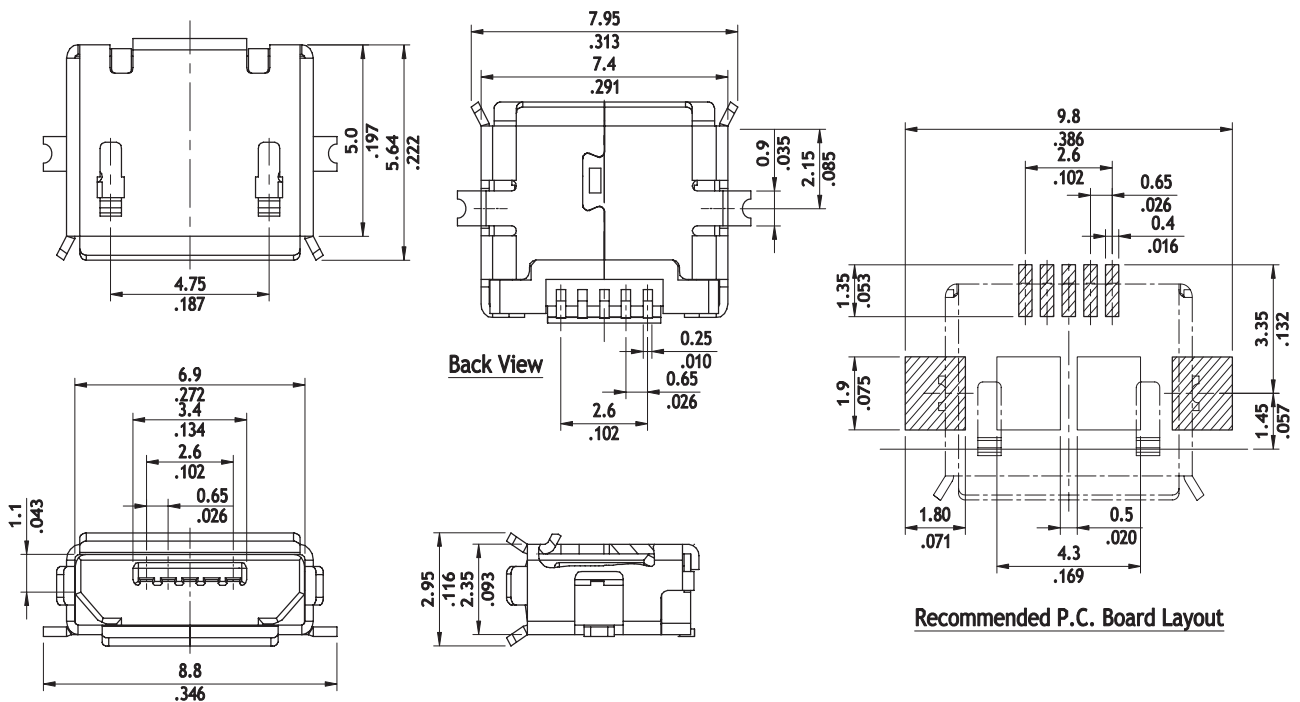
- ① Series No.
- ② S = Receptacle
- ③ Plating Code :
 A = Selective Gold flash over Nickel
 C = Selective 30µ" Gold flash over Nickel
- ④ Tail Type: M = SMT Type
 H = Right Angle DIP Type
- ⑤ Insulator Color: 1 = Black
- ⑥ No. of Circuits: 5 Pin
- ⑦ Type: B = B Type
- ⑧ Other Option: 0 = Standard ; C = Pin Length 2.1mm
- ⑨ Packing Options:
 R0 = Tape & Reel (with Pick & Place Pad)
 T0 = Tube
- ⑩ NH = For Lead Free soldering process and Halogen-Free

CU09 Series Micro USB2.0 Connectors

- ⊙ High temperature plastic for insulator
- ⊙ High durability and long cycle life



RoHS Compliant



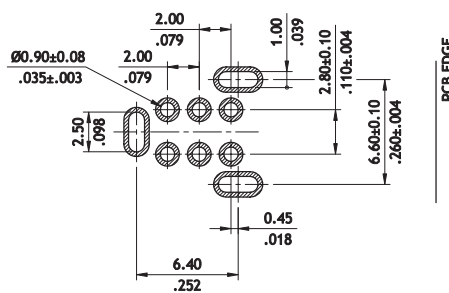
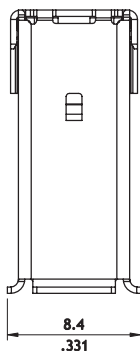
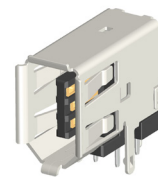
Ordering Code

①	②	③	④	⑤	⑥	⑦	⑧
CU09	S	2	M	1	5	C	0

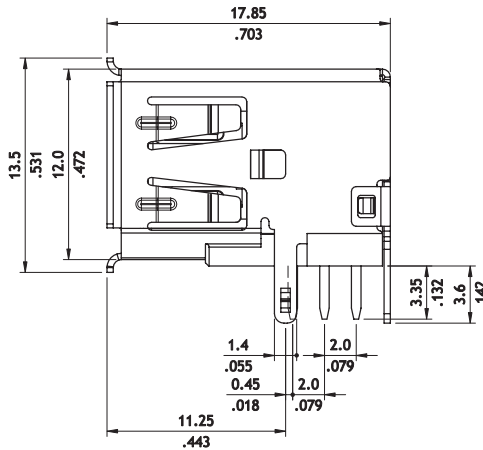
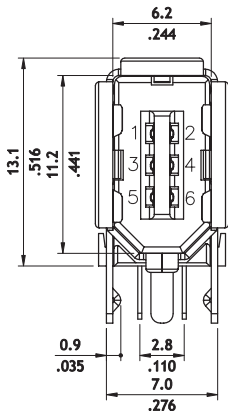
- ① Series No.
- ② S = Socket
- ③ Plating Code :
2 = Gold flash over Nickel
- ④ Tail Type: M = SMT Type
- ⑤ Insulator Color: 1 = Black
- ⑥ No. of Circuits: 5 Pin
- ⑦ Type: C = Micro USB 5 Pin Type-AB
- ⑧ Other Options: 0 = Standard

CU05 Series IEEE 1394 Shielded I/O Receptacle Connectors

- ⊙ Available up-right angle version
- ⊙ With ground pegs
- ⊙ Provide the interface for speeds up to 400Mbps
- ⊙ Full metal shielding for ESD protection
- ⊙ High temperature plastic housing for SMT processing
- ⊙ Gold plated leaf contact withstand up to 1500 cycles
- ⊙ Polarized box shell design and lock grounding finger sense plug retention



Recommended P.C. Board Layout
(TOLERANCE: ±0.05)

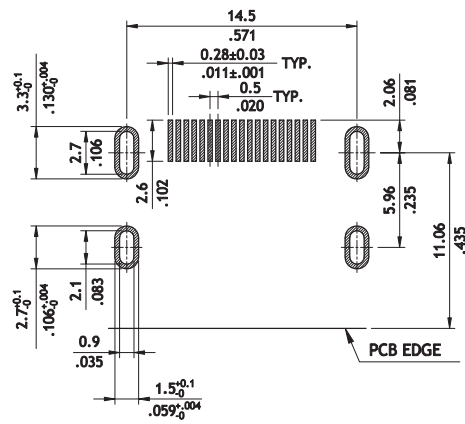
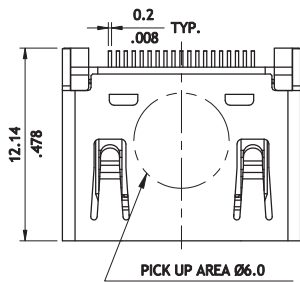


Ordering Code	①	②	③	④	⑤	⑥	⑦	⑧	⑨
	CU05	S	C	H	1	U	D0	-R0	-NH
① Series No.		② S = Socket		④ Tail Type: H = Side Entry		⑤ Insulator Color: 1 = Black		⑧ Packing Option : R0 =Reel Packing	
③ Plating Code :			C = Selective 30μ" Gold flash over Nickel		⑥ Type: U = Upright Type		⑦ Options: D0 = Standard		⑨ NH = For Lead Free wave flow soldering process and Halogen-Free
*Optional plating available but MOQ requested									

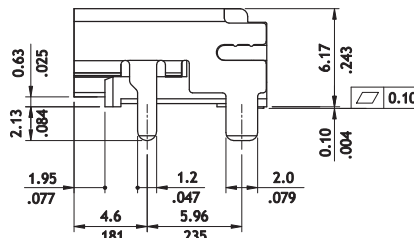
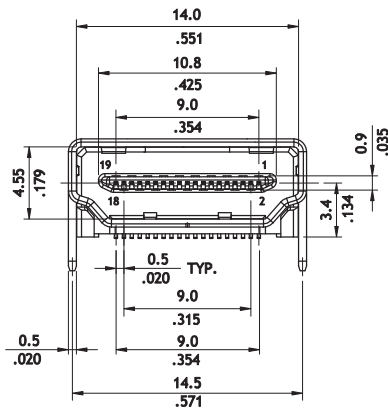
CU11 Series HDMI Receptacle Connectors

- ⊙ High temperature plastic insulator
- ⊙ With ground pegs

RoHS Compliant  



RECOMMENDED PCB LAYOUT
TOLERANCE: ±0.05mm



Ordering Code

① ② ③ ④ ⑤ ⑥ ⑦
CU11 S A M 1 0E0 - R 0

- ① Series No.
- ② S = Socket
- ③ Plating Code :
A = Selective Gold flash over Nickel
- ④ Tail Type: M = SMT Type
- ⑤ Insulator Color: 1 = Black
- ⑥ 0E0 = Standard
- ⑦ R0 = Tape & Reel

USB 3.1 Type C Technical Specifications

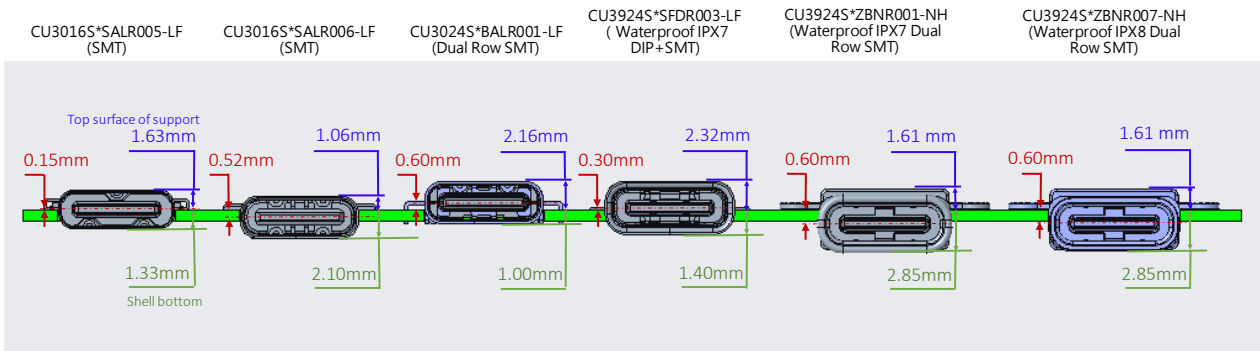
NEW

Electrical Data-

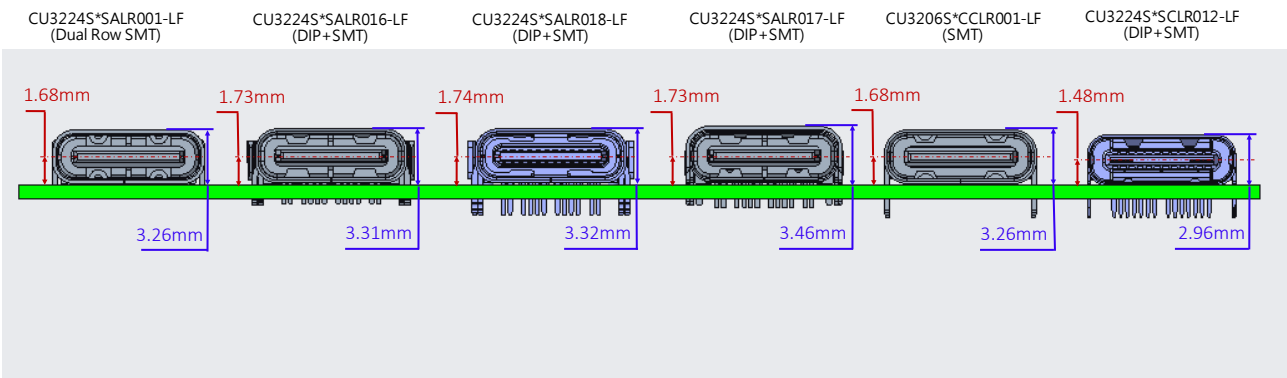
- Current rating: 3/5 Amps max
- Dielectric Withstanding: 100 VAC for one minute
- Contact Resistance:<40mΩ
- Insulation Resistance:>100MΩ
- Operating Temperature:-55°C to +85°C

MIDDLE MOUNT TYPE

Receptacle



TOP MOUNT TYPE



CU

I/O CONNECTORS

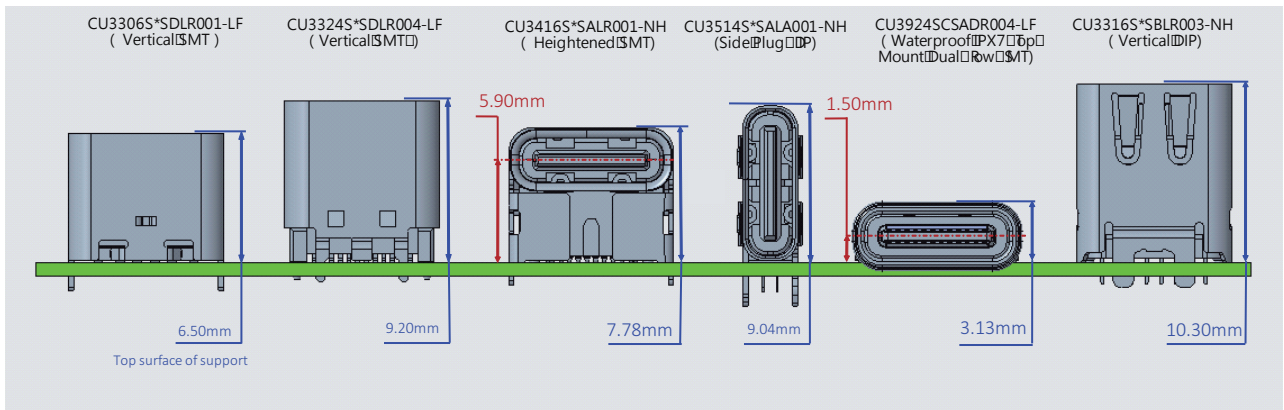
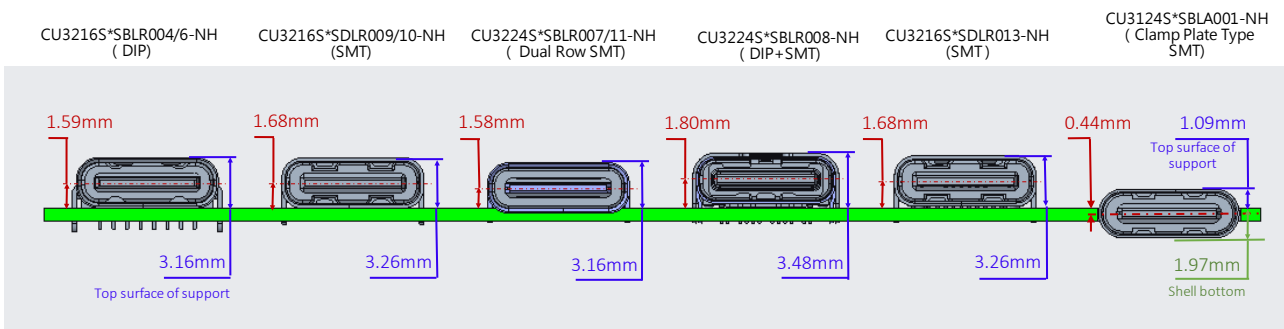
USB 3.1 Type C Technical Specifications

NEW

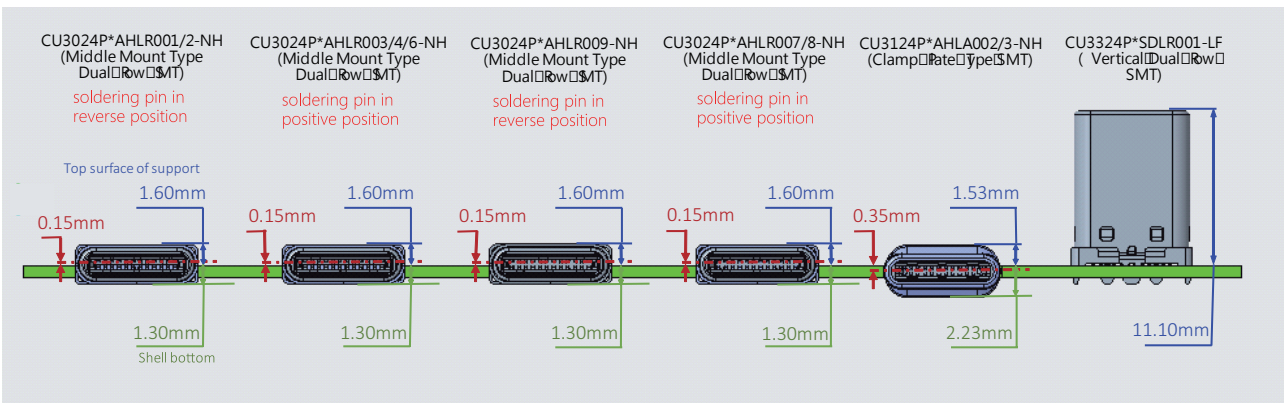
Electrical Data-

Current rating: 5 Amps max
 Dielectric Withstanding: 100 VAC for one minute
 Contact Resistance:<40mΩ
 Insulation Resistance:>100MΩ
 Operating Temperature:-40°C to +80°C

TOP MOUNT TYPE+CLIP TYPE



PLUG



CU

I/O CONNECTORS

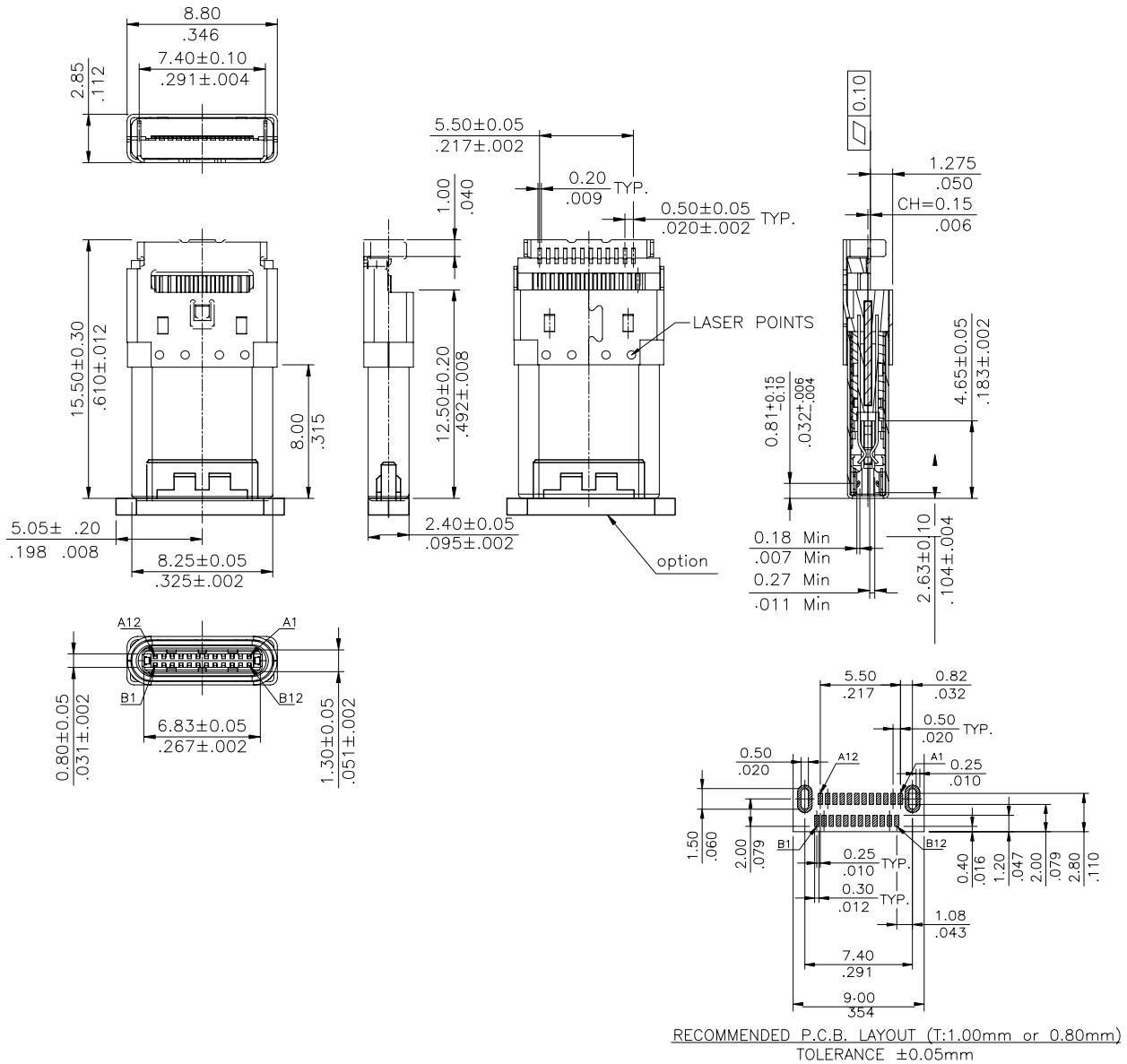
CU30 Series USB 3.1 Type C Plug SMT Type Connectors (Reverse pin positon)

- ⊙ Middle Mount Type
- ⊙ High temperature plastic insulator
- ⊙ Contact current rating:5Amperes max
- ⊙ Dielectric strength:100V AC.
- ⊙ Durability cycles:10000 cycles.
- ⊙ Compatible with wire and PCB side

NEW



RoHS Compliant



CU

I/O CONNECTORS

Ordering Code

①	②	③	④	⑤	⑥	⑦	⑧	⑨	⑩
CU30	24	P	A	A	H	L	R	002	-NH

- ① Series No.
- ② No. of Circuits
- ③ P = Plug
- ④ Plating Code :
A=Selective Gold Flash over Nickel
B=Selective 15µ" Gold flash over Nickel
C=Selective 30µ" Gold flash over Nickel
- ⑤ Shell Material & Plating
A= Stainless Steel Nickel Plating
- ⑥ Contact Material : H = Copper Alloy
- ⑦ Insulator Material & Color option
L= LCP , Black
- ⑧ Packing : R =Tape & Reel
- ⑨ 001=Without Cover
002=With Cover
- ⑩ NH = For Lead Free soldering process a and Halogen-Free

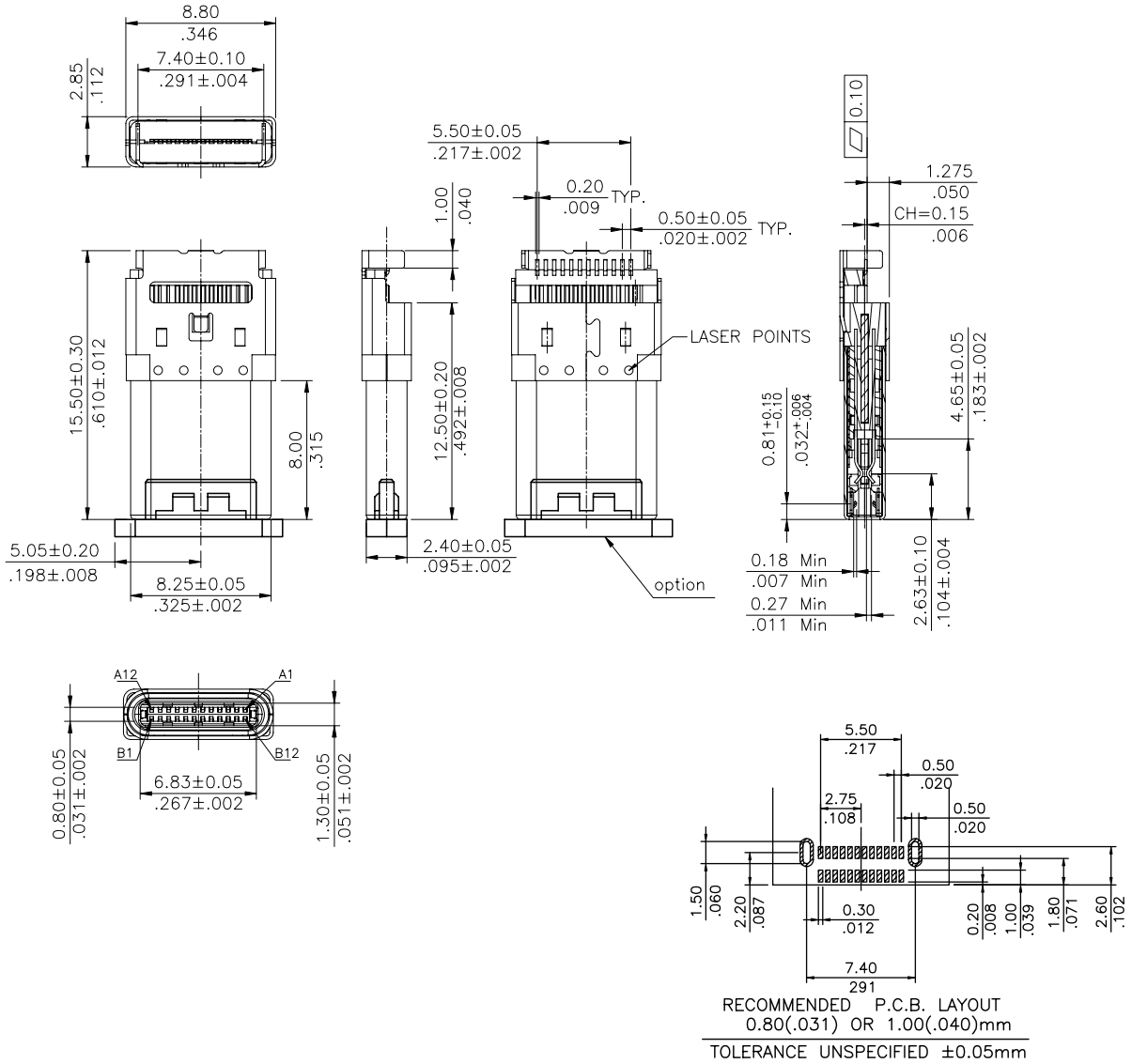
CU30 Series USB 3.1 Type C Plug SMT Type Connectors (Parallel pin position)

- ⊙ Middle Mount Type
- ⊙ High temperature plastic insulator
- ⊙ Contact current rating:3Amperes max
- ⊙ Dielectric strength:100V AC.
- ⊙ Durability cycles:10000 cycles.
- ⊙ Compatible with wire and PCB side

NEW



RoHS Compliant



Ordering Code

① ② ③ ④ ⑤ ⑥ ⑦ ⑧ ⑨ ⑩
CU30 24 P A A H L R 003 - NH

- ① Series No.
- ② No. of Circuits
- ③ P = Plug
- ④ Plating Code
A=Selective Gold Flash over Nickel
B=Selective 15µ" Gold flash over Nickel
C=Selective 30µ" Gold flash over Nickel
- ⑤ Shell Material & Plating
A= Stainless Steel Nickel Plating
- ⑥ Contact Material : H = Copper Alloy
- ⑦ Insulator Material & Color option
L= LCP , Black
- ⑧ Packing R =Tape & Reel
- ⑨ 003=Without Cover
004=With Cover
006=With cover attach Back shell
- ⑩ NH = For Lead Free soldering process and Halogen-Free
*Special options consult manufacturer

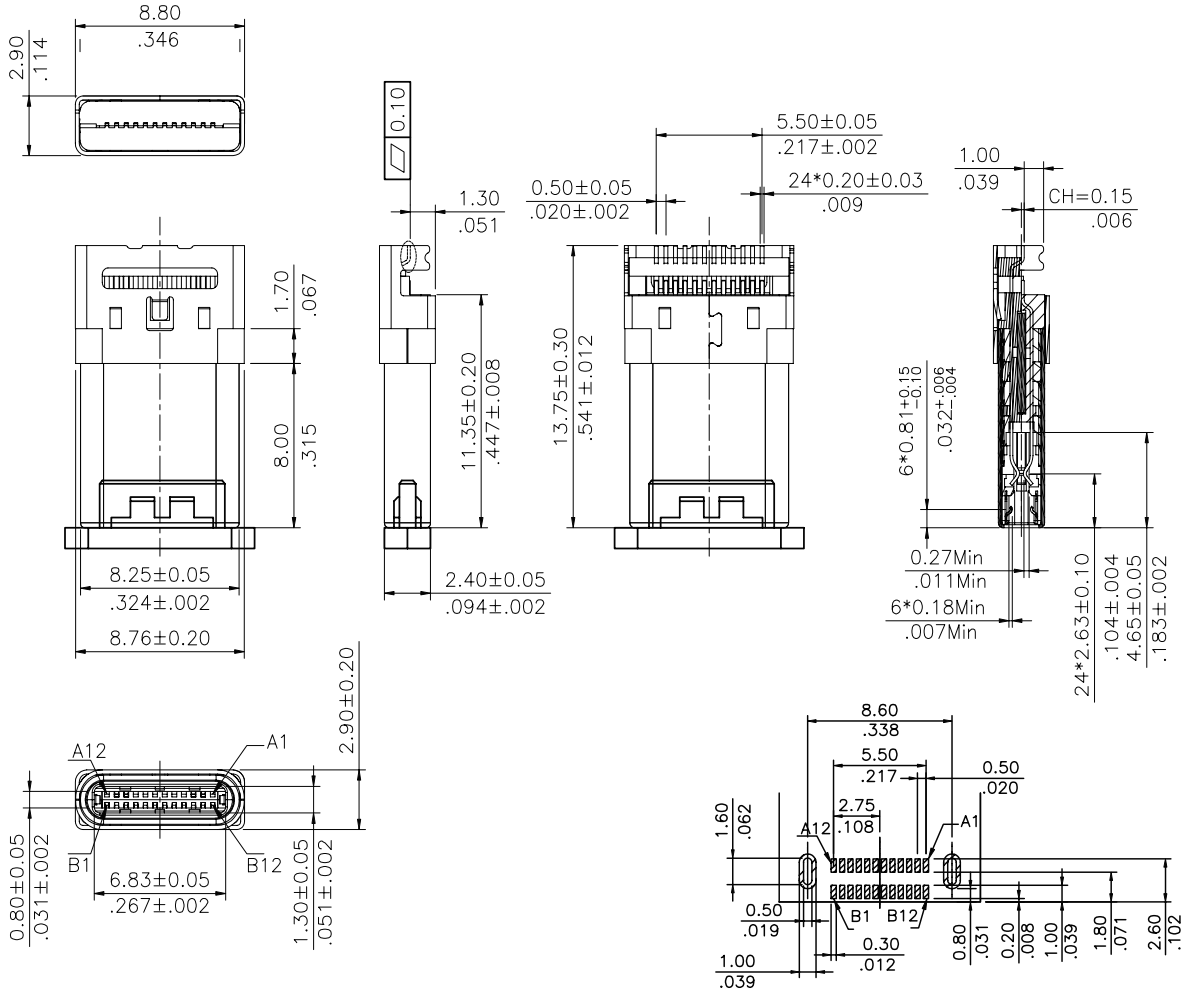
CU30 Series USB 3.1 Type C Plug SMT Type Connectors

- ⊙ Middle Mount Type
- ⊙ High temperature plastic insulator
- ⊙ Contact current rating :3 Amperes max
- ⊙ Dielectric strength:100V AC.
- ⊙ Durability cycles:10000 cycles.
- ⊙ Compatible with wire and PCB side

NEW



RoHS Compliant



RECOMMENDED P.C.B. LAYOUT
0.80(.031) OR 1.00(.040)mm
TOLERANCE UNSPECIFIED ±0.05mm

Ordering Code

①	②	③	④	⑤	⑥	⑦	⑧	⑨	⑩
CU30	24	P	A	A	H	L	R	007	- NH

- ① Series No.
- ② No. of Circuits
- ③ P = Plug
- ④ Plating Code :
A=Selective Gold Flash over Nickel
B=Selective 15µ" Gold flash over Nickel
C=Selective 30µ" Gold flash over Nickel
- ⑤ Shell Material & Plating
A= Stainless Steel Nickel Plating
- ⑥ Contact Material : H = Copper Alloy
- ⑦ Insulator Material &Color option
L= LCP , Black
- ⑧ Packing : R =Tape & Reel
- ⑨ 007=With Cover
008=Without cover
- ⑩ NH = For Lead Free soldering process and Halogen-Free

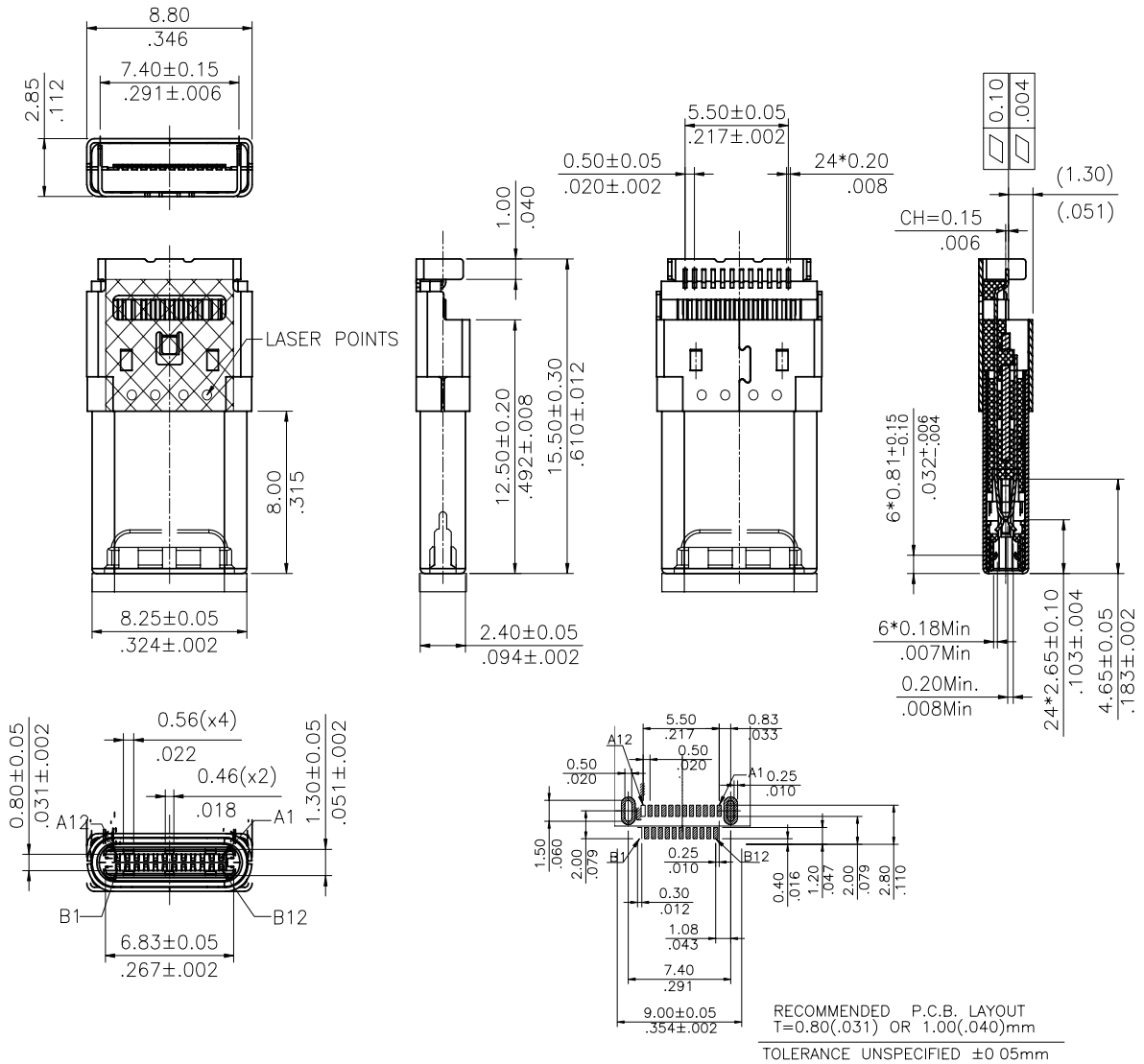
CU30 Series USB 3.1 Type C Plug SMT Type Connectors

- ⊙ Middle Mount Type
- ⊙ High temperature plastic insulator
- ⊙ Contact current rating:3 Amperes max
- ⊙ Dielectric strength:100V AC.
- ⊙ Durability cycles:10000 cycles.
- ⊙ Compatible with wire and PCB side

NEW



RoHS Compliant  



Ordering Code

① ② ③ ④ ⑤ ⑥ ⑦ ⑧ ⑨ ⑩
CU30 24 P A A H L R 009 - NH

- ① Series No.
- ② No. of Circuits
- ③ P = Plug
- ④ Plating Code :
 A=Selective Gold Flash over Nickel
 B=Selective 15µ" Gold flash over Nickel
 C=Selective 30µ" Gold flash over Nickel
- ⑤ Shell Material & Plating
 A= Stainless Steel Nickel Plating
- ⑥ Contact Material : H = Copper Alloy
- ⑦ Insulator Material &Color option
 L= LCP , Black
- ⑧ Packing : R =Tape & Reel
- ⑨ Other Oprion : 009
- ⑩ NH = For Lead Free soldering process and Halogen-Free

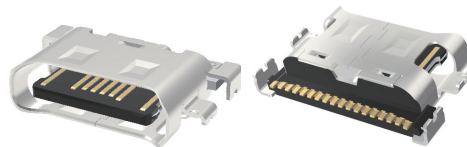
CU

I/O CONNECTORS

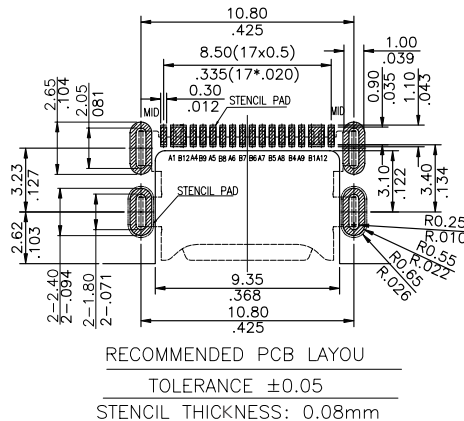
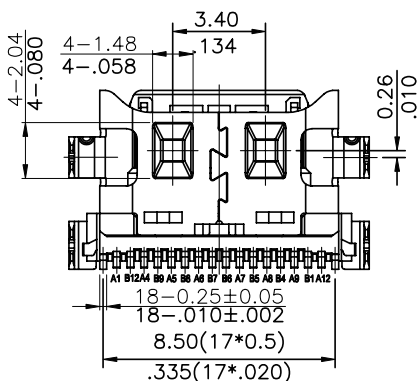
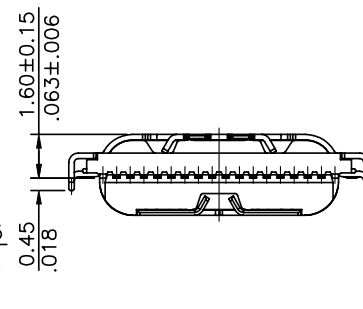
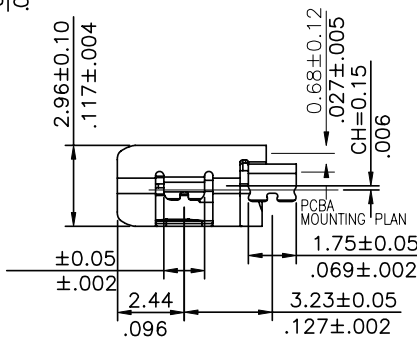
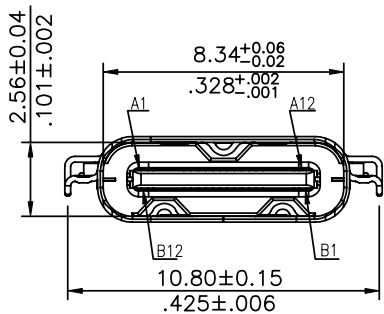
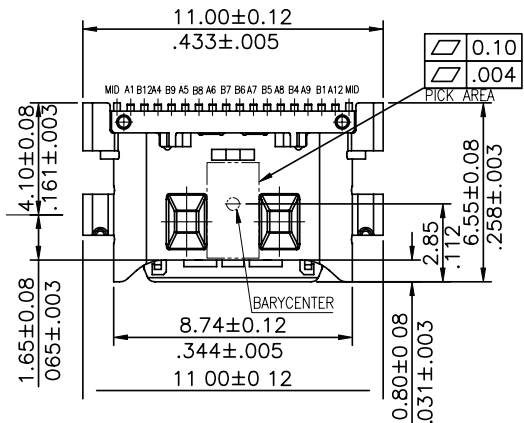
CU30 Series USB 3.1 Type C Receptacle SMT Type Connectors

- ⊙ Middle Mount Type
- ⊙ High temperature plastic insulator
- ⊙ Contact current rating : 5 Amperes max
- ⊙ Dielectric strength:100V AC.
- ⊙ Durability cycles:10000 cycles.

NEW



RoHS Compliant



Ordering Code

①	②	③	④	⑤	⑥	⑦	⑧	⑨	⑩
CU30	16	S	2	S	A	L	R	005	- LF

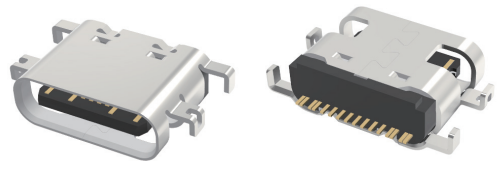
- ① Series No.
- ② No. of Circuits
- ③ S = Socket
- ④ Plating Code :
2 = Gold Flash over Nickel
- ⑤ Shell Material & Plating
S= Stainless Steel
- ⑥ Contact Material : A = Copper Alloy
- ⑦ Insulator Material & Color option
L= LCP , Black
- ⑧ Packing : R = Tape & Reel
- ⑨ Other Option : 005
- ⑩ LF = For Lead Free Soldering process

CU

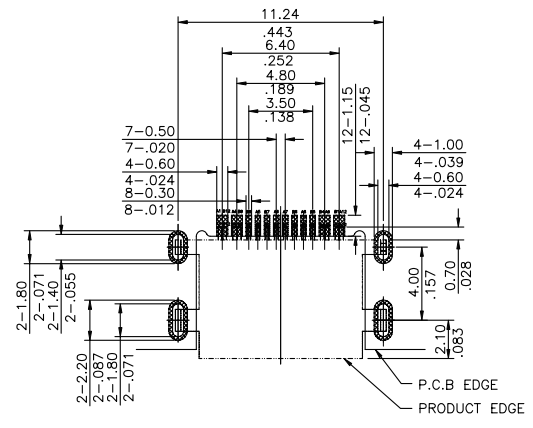
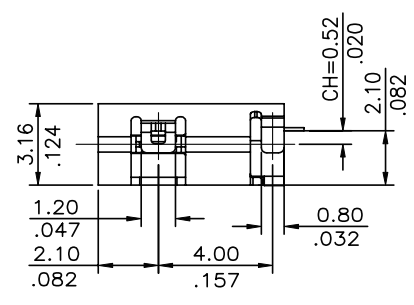
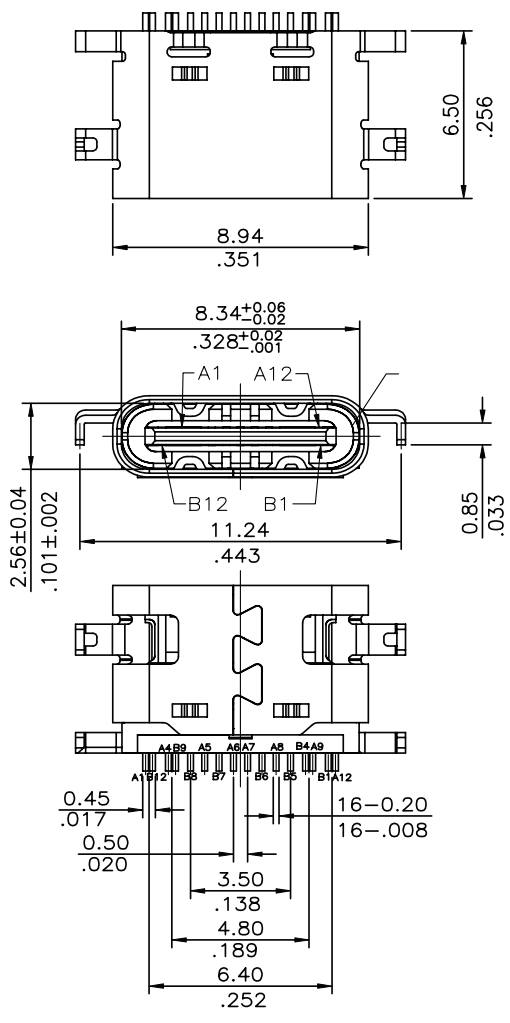
I/O CONNECTORS

CU30 Series USB 3.1 Type C Receptacle SMT Type Connectors

- ⊙ Middle Mount Type
- ⊙ High temperature plastic insulator
- ⊙ Contact current rating : 5 Amperes max
- ⊙ Dielectric strength:100V AC.
- ⊙ Durability cycles:10000 cycles.



RoHS Compliant



RECOMMENDED P.C.B. LAYOUT (T:0.80mm)
TOLERANCE UNSPECIFIED ±0.05mm

Ordering Code

① ② ③ ④ ⑤ ⑥ ⑦ ⑧ ⑨ ⑩
CU30 16 S A S A L R 006 - LF

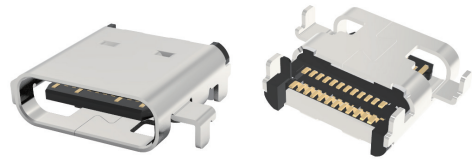
- ① Series No.
- ② No. of Circuits
- ③ S = Socket
- ④ Plating Code :
 A=Selective Gold Flash over Nickel
 B=Selective 15µ" Gold flash over Nickel
 C=Selective 30µ" Gold flash over Nickel
 2=Gold Flash over Nickel
- ⑤ Shell Material & Plating
 S= Stainless Steel
- ⑥ Contact Material : A = Copper Alloy
- ⑦ Insulator Material &Color option
 L= LCP , Black
- ⑧ Packing : R = Tape & Reel
- ⑨ Other Option : 006
- ⑩ LF = For Lead Free Soldering process

CU

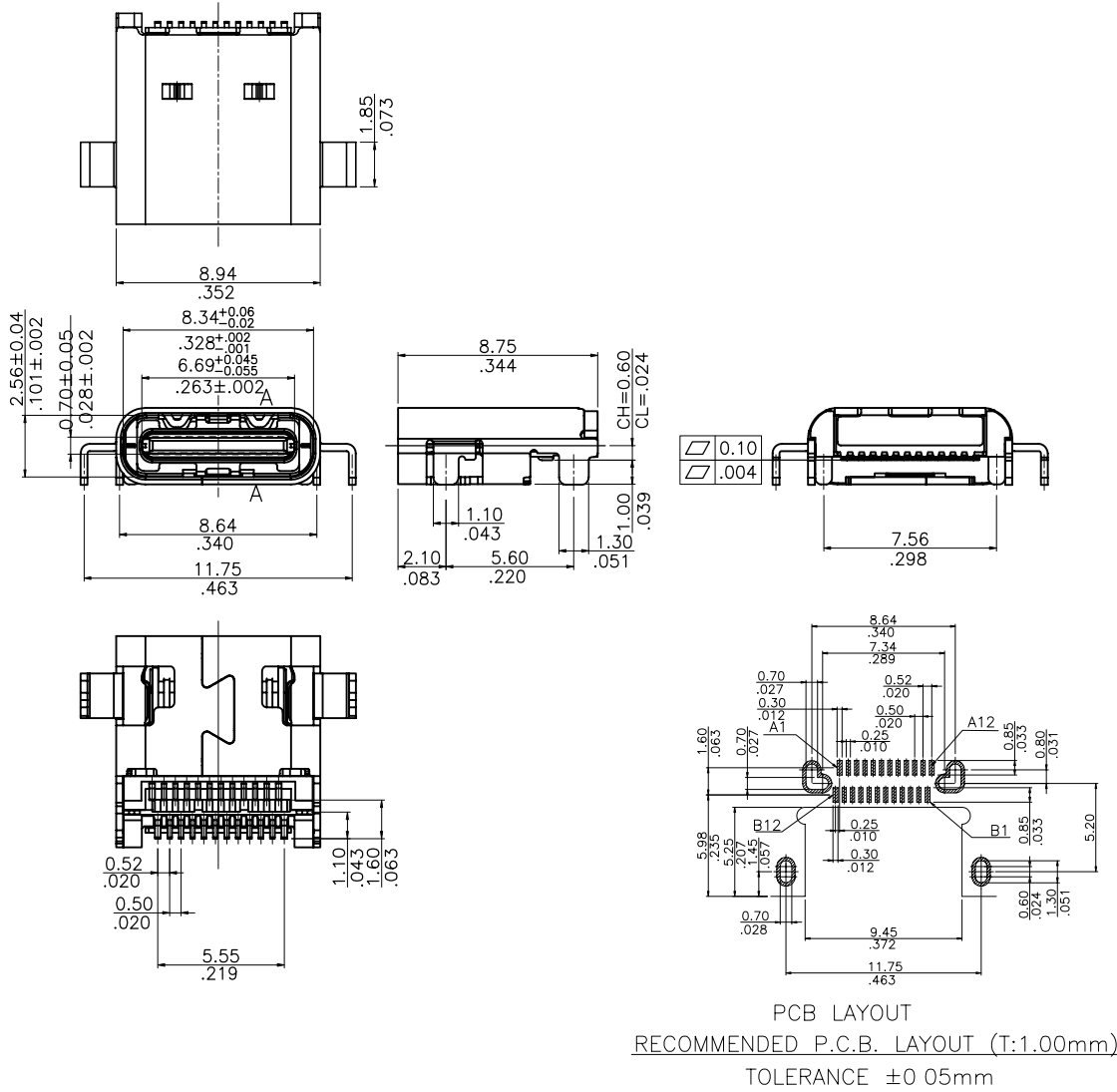
I/O CONNECTORS

CU30 Series USB 3.1 Type C Receptacle SMT Type Connectors

- ⊙ Middle Mount Type
- ⊙ High temperature plastic insulator
- ⊙ Contact current rating : 3 Amperes max
- ⊙ Dielectric strength:100V AC.
- ⊙ Durability cycles:10000 cycles.



RoHS Compliant



Ordering Code	①	②	③	④	⑤	⑥	⑦	⑧	⑨	⑩
	CU30	24	S	A	B	A	L	R	001	LF

① Series No.
② No. of Circuits
③ S = Socket
④ Plating Code :
A=Selective Gold Flash over Nickel
B=Selective 15μ" Gold flash over Nickel
C=Selective 30μ" Gold flash over Nickel

⑤ Shell Material & Plating
B= Stainless Steel
⑥ Contact Material : A = Copper Alloy
⑦ Insulator Material & Color option
L= LCP , Black
⑧ Packing : R = Tape & Reel
⑨ Other Option : 001
⑩ LF = For Lead Free Soldering process

CU
I/O CONNECTORS

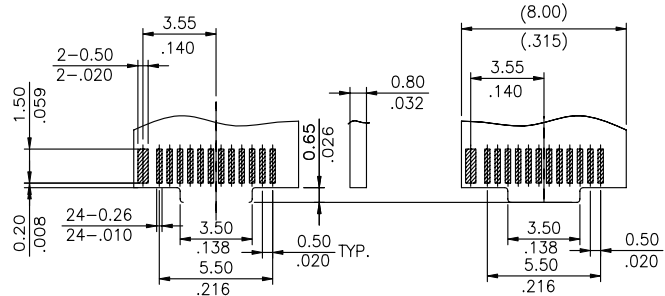
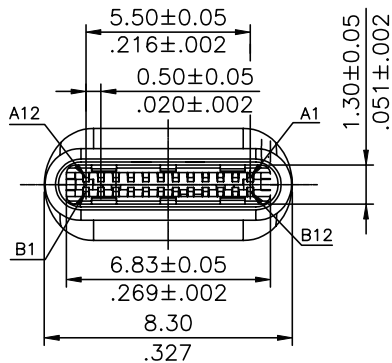
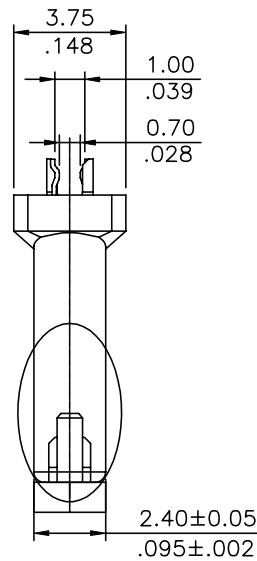
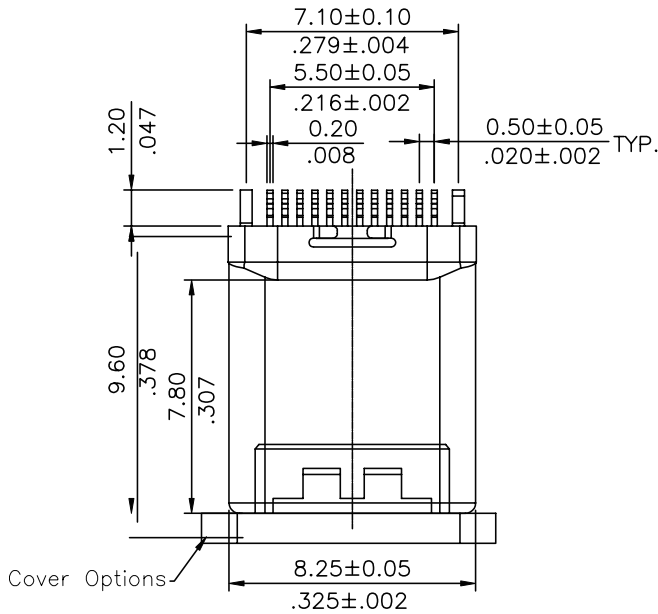
CU31 Series USB 3.1 Type C Plug Clamp Type Connectors

- ⊙ Clamp Plate Type
- ⊙ High temperature plastic insulator
- ⊙ Contact current rating : 5 Amperes max
- ⊙ Dielectric strength:100V AC.
- ⊙ Durability cycles:10000 cycles.

NEW



RoHS Compliant



RECOMMENDED P.C.B. LAYOUT
TOLERANCE UNSPECIFIED ±0.05mm

Ordering Code

①	②	③	④	⑤	⑥	⑦	⑧	⑨	⑩
CU31	24	P	A	A	H	L	A	003	- NH

- ① Series No.
- ② No. of Circuits
- ③ P = Plug
- ④ Plating Code :
A=Selective Gold Flash over Nickel
B=Selective 15µ" Gold flash over Nickel
C=Selective 30µ" Gold flash over Nickel
- ⑤ Shell Material & Plating
A= Stainless Steel Nickel Plating
- ⑥ Contact Material : H = Copper Alloy
- ⑦ Insulator Material &Color option
L= LCP , Black
- ⑧ Packing : A = Tray
- ⑨ 002=Without Cover
003=With Cover
- ⑩ NH = For Lead Free soldering process and Halogen-Free
*Special options consult manufacturer

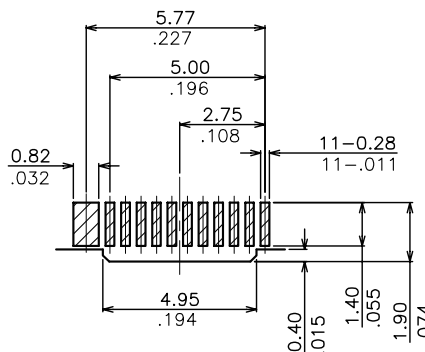
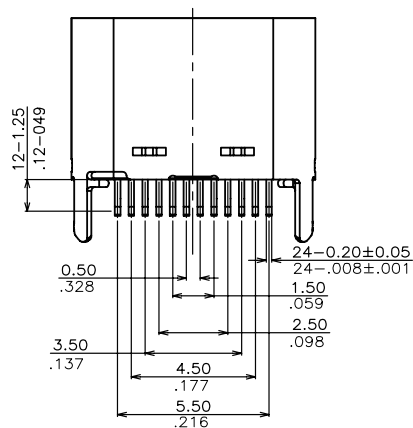
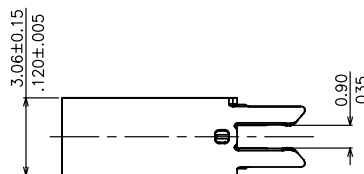
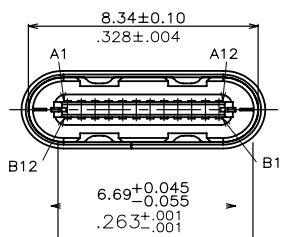
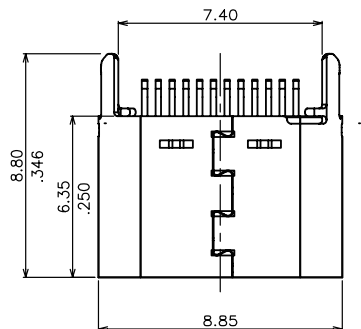
CU31 Series USB Type C Female Clamp Type Connectors

- ⊙ Clamp Plate Type
- ⊙ High temperature plastic insulator
- ⊙ Contact current rating : 5 Amperes max
- ⊙ Dielectric strength:100V AC.
- ⊙ Durability cycles:10000 cycles.

NEW



RoHS Compliant



RECOMMENDED P.C.B. LAYOUT
TOLERANCE UNSPECIFIED ±0.05mm

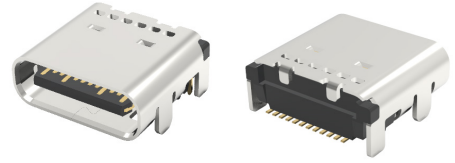
Ordering Code

① ② ③ ④ ⑤ ⑥ ⑦ ⑧ ⑨ ⑩
CU31 24 S A S B L A 001-NH

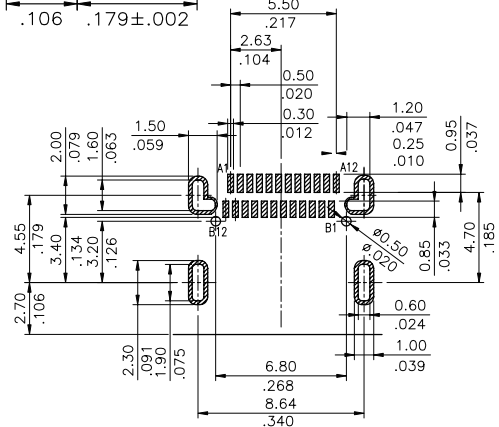
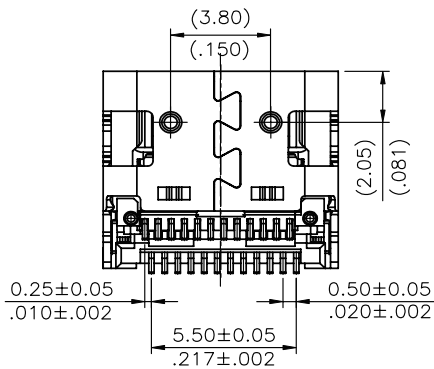
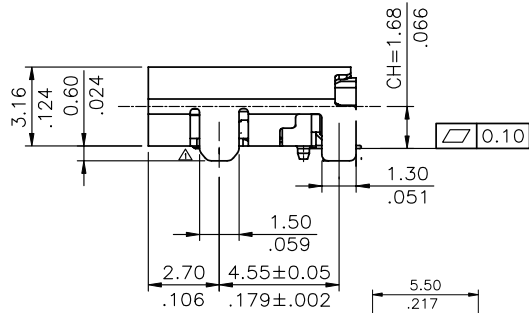
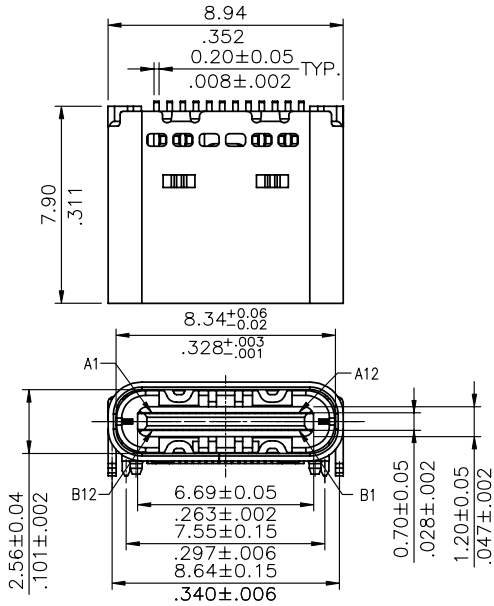
- ① Series No.
- ② No. of Circuits
- ③ S = Socket
- ④ Plating Code :
 A=Selective Gold Flash over Nickel
 B=Selective 15µ" Gold flash over Nickel
 C=Selective 30µ" Gold flash over Nickel
- ⑤ Shell Material & Plating
 S= Stainless Steel
- ⑥ Contact Material : B= Copper Alloy
- ⑦ Insulator Material & Color Option
 L=LCP Black
- ⑧ Packing : A =Tray
- ⑨ Other Option : 001
- ⑩ NH = For Lead Free soldering process and Halogen-Free

CU32 Series USB Type C Female SMT Type Connectors

- ⊙ Top Mount Type
- ⊙ High temperature plastic insulator
- ⊙ Contact current rating : 3 Amperes max
- ⊙ Dielectric strength:100V AC.
- ⊙ Durability cycles:10000 cycles.



RoHS Compliant



RECOMMENDED P.C.B. LAYOUT(T:1.00mm)
TOLERANCE: ±0.05mm

Ordering Code

①	②	③	④	⑤	⑥	⑦	⑧	⑨	⑩
C	U	32	24	S	A	S	A	L	R
								001	-LF

- ① Series No.
- ② No. of Circuits : 24
- ③ S = Socket
- ④ Plating Code :
A=Selective Gold Flash over Nickel
- ⑤ Shell Material & Plating:
S= Stainless Steel
- ⑥ Contact Material : A=Copper Alloy
- ⑦ Insulator Color : L = LCP , Black
- ⑧ Packing : R=Tape & Reel
- ⑨ Other Option : 001
- ⑩ LF = For Lead Free Soldering process

CU

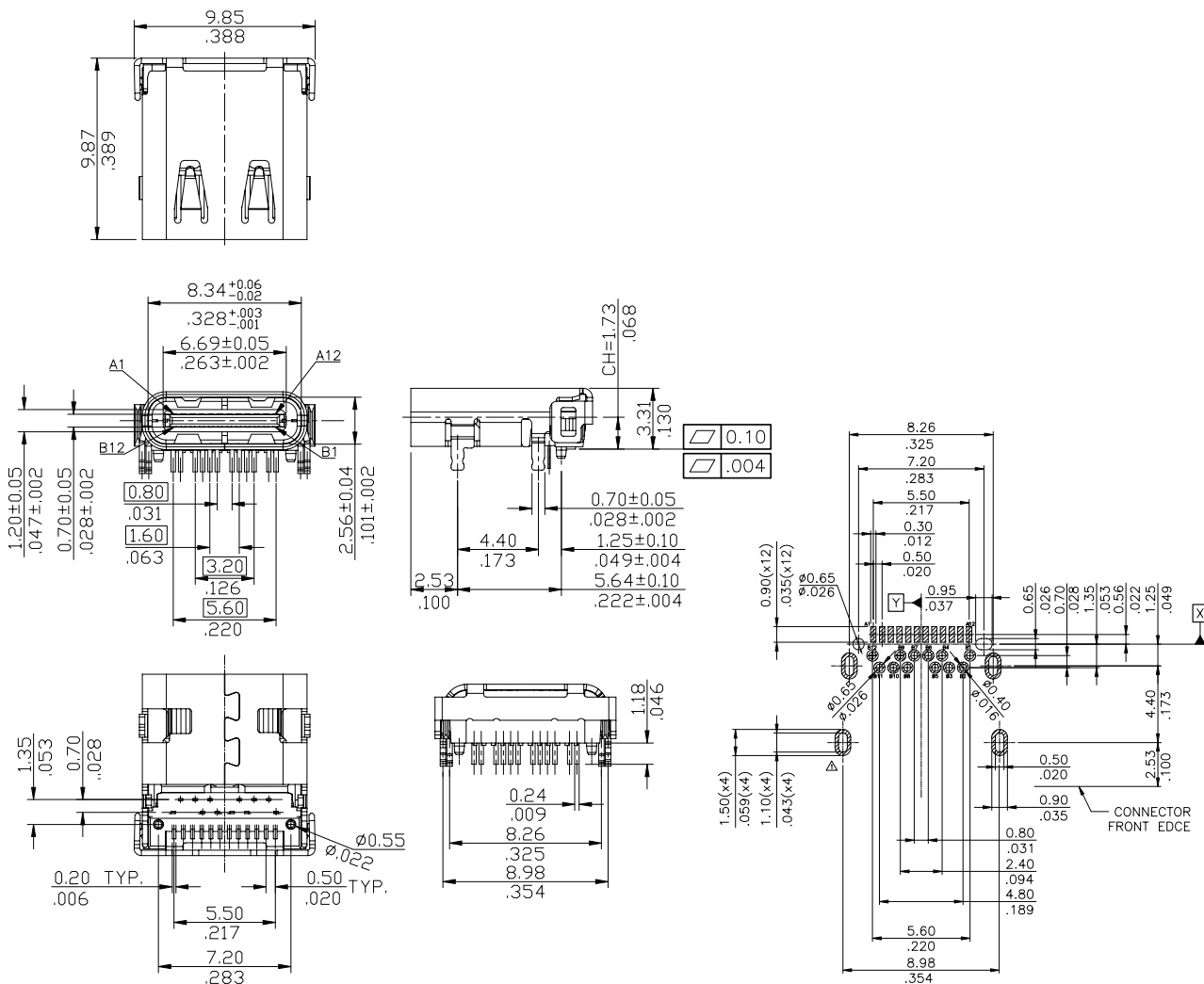
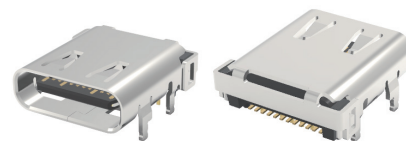
I/O CONNECTORS

CU32 Series USB Type C Female SMT Type Connectors

- ⊙ Top Mount Type+SMT Type
- ⊙ High temperature plastic insulator
- ⊙ Contact current rating : 3 Amperes max
- ⊙ Dielectric strength:100V AC.
- ⊙ Durability cycles:10000 cycles

NEW

RoHS Compliant



RECOMMENDED P.C.B. LAYOUT (T:1.00mm)
TOLERANCE ±0.05mm

Ordering Code	①	②	③	④	⑤	⑥	⑦	⑧	⑨	⑩
	CU32	24	S	2	S	A	L	R	016	-LF

① Series No.
 ② No. of Circuits : 24
 ③ S = Socket
 ④ Plating Code :
 2=Selective Gold Flash over Nickel
 ⑤ Shell Material & Plating:
 S= Stainless Steel
 ⑥ Contact Material : A=Copper Alloy
 ⑦ Insulator Color : L = LCP , Black
 ⑧ Packing : R=Tape & Reel
 ⑨ Other Option : 016
 ⑩ LF = For Lead Free Soldering process

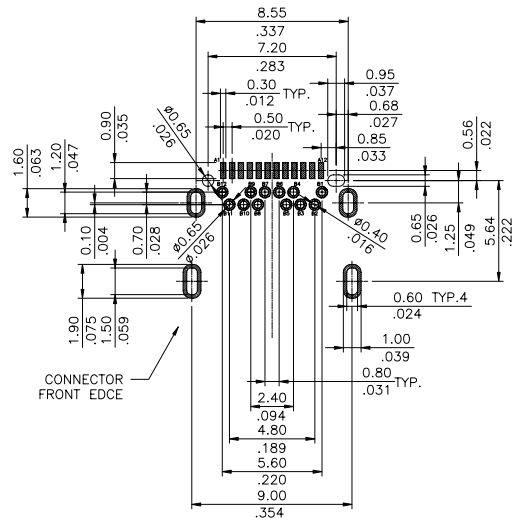
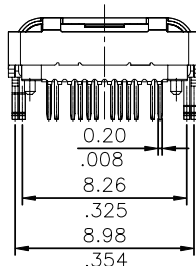
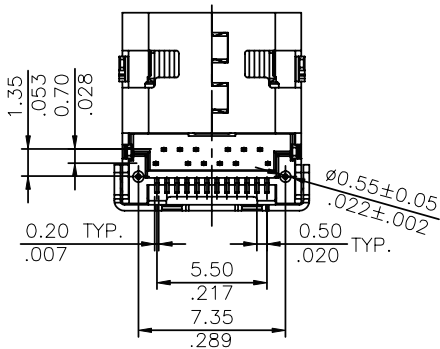
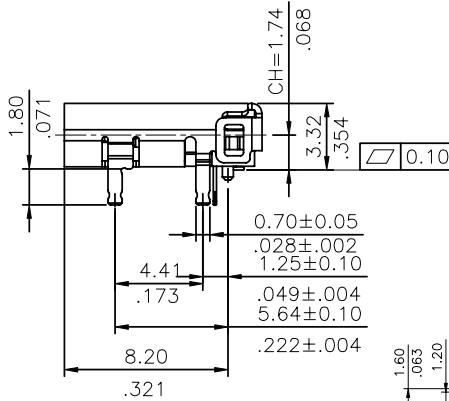
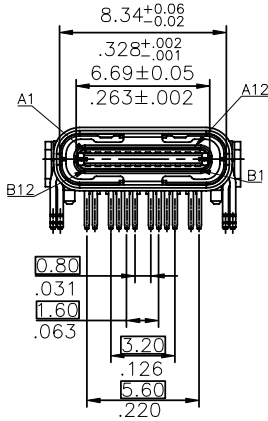
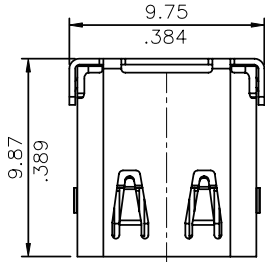
CU I/O CONNECTORS

CU32 Series USB Type C Female SMT Type Connectors

- ⊙ Top Mount Type + SMT Type
- ⊙ High temperature plastic insulator
- ⊙ Contact current rating : 5 Amperes max
- ⊙ Dielectric strength:100V AC.
- ⊙ Durability cycles:10000 cycles



RoHS Compliant



RECOMMENDED P.C.B. LAYOUT (T:1.60mm)
TOLERANCE ±0.05mm

Ordering Code

①	②	③	④	⑤	⑥	⑦	⑧	⑨	⑩
CU32	24	S	A	S	A	L	R	018	LF

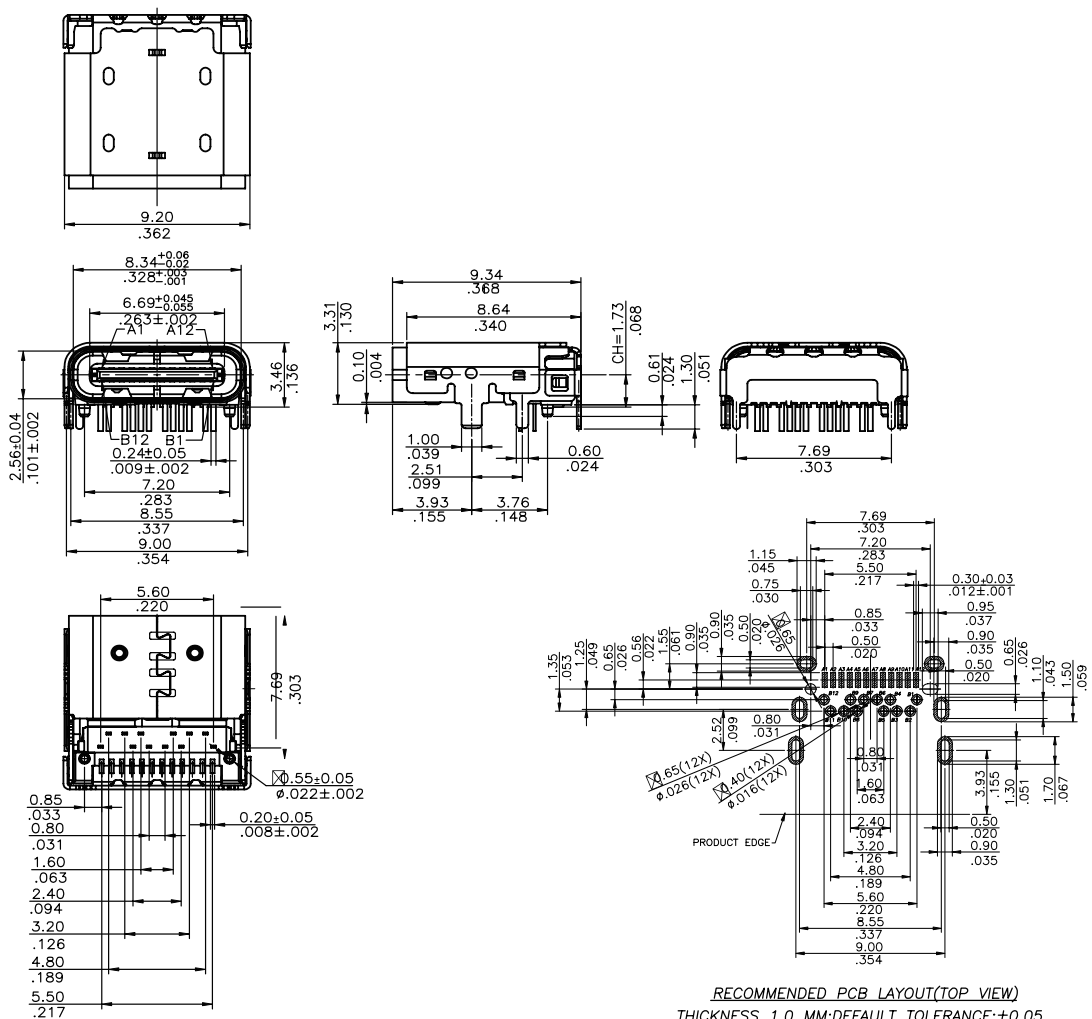
- ① Series No.
- ② No. of Circuits : 24
- ③ S = Socket
- ④ Plating Code :
A=Selective Gold Flash over Nickel
- ⑤ Shell Material & Plating: S= Stainless Steel
- ⑥ Contact Material : A=Copper Alloy
- ⑦ Insulator Color & Color Option: L = LCP , Black
- ⑧ Packing : R=Tape & Reel
- ⑨ Other Option : 018
- ⑩ LF = For Lead Free Soldering process

CU32 Series USB Type C Female SMT Type Connectors

- ⊙ Top Mount Type + SMT Type
- ⊙ High temperature plastic insulator
- ⊙ Contact current rating : 5 Amperes max
- ⊙ Dielectric strength:100V AC.
- ⊙ Durability cycles:10000 cycles

NEW

RoHS Compliant



Ordering Code	①	②	③	④	⑤	⑥	⑦	⑧	⑨	⑩
	CU32	24	S	2	S	A	L	R	017	-LF

① Series No.
 ② No. of Circuits
 ③ S = Socket
 ④ Plating Code :
 2=Selective Gold Flash over Nickel
 ⑤ Shell Material & Plating:
 S= Stainless Steel
 ⑥ Contact Material : A=Copper Alloy
 ⑦ Insulator Color & Color Option: L= LCP , Black
 ⑧ Packing : R=Tape & Reel
 ⑨ Other Option : 017
 ⑩ LF = For Lead Free Soldering process

CU I/O CONNECTORS

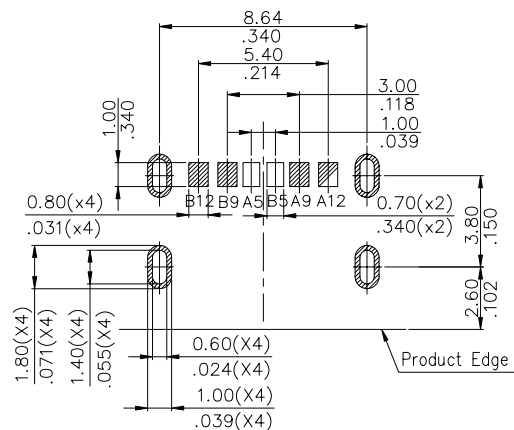
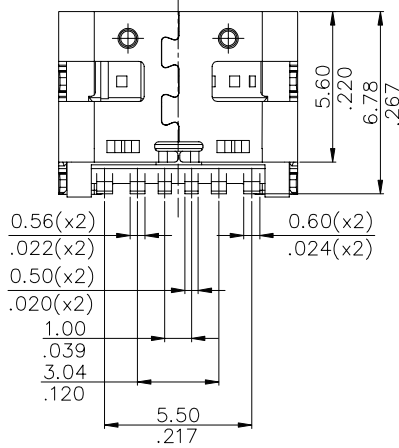
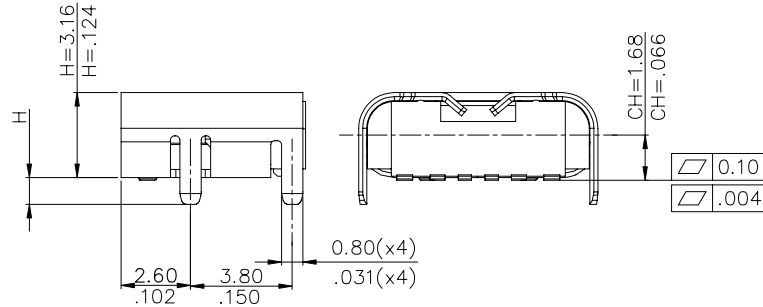
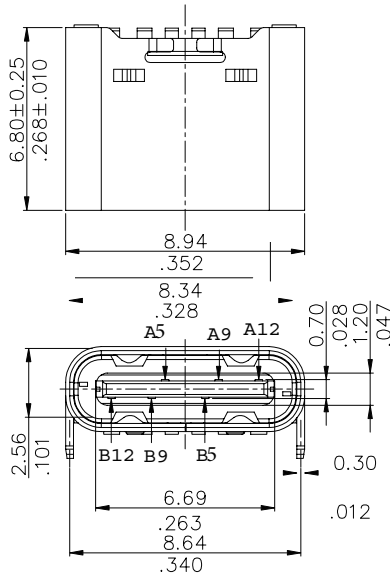
CU32 Series USB2.0 Type C Female SMT Type Connectors

- ⊙ Top Mount SMT +SMT Type
- ⊙ High temperature plastic insulator
- ⊙ Contact current rating : 5 Amperes max
- ⊙ Dielectric strength:100V AC.
- ⊙ Durability cycles:10000 cycles

NEW



RoHS Compliant



RECOMMENDED P.C.B. LAYOUT
TOLERANCE UNSPECIFIED ±0.05mm

Ordering Code

① ② ③ ④ ⑤ ⑥ ⑦ ⑧ ⑨ ⑩
CU32 06 S A C C L R 001 - LF

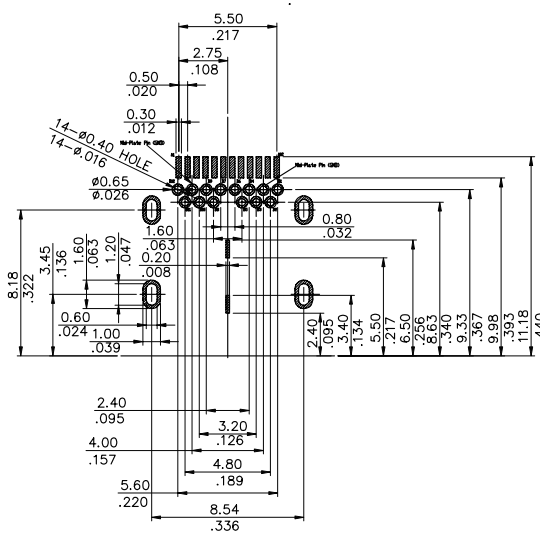
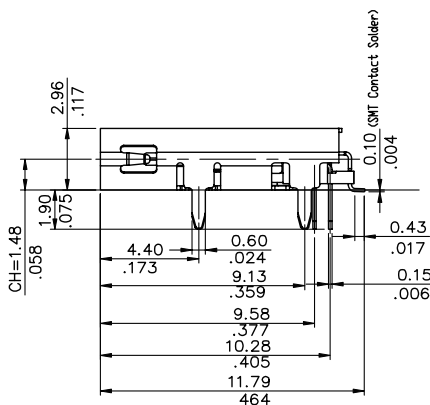
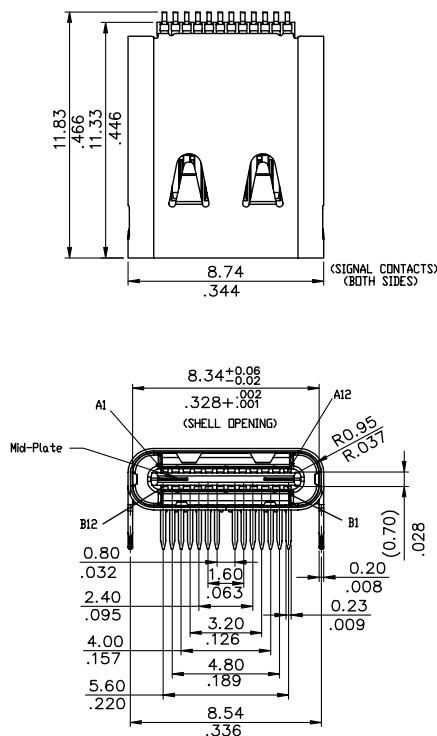
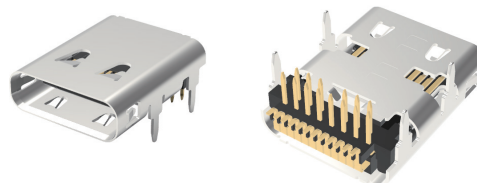
- ① Series No.
- ② No. of Circuits
- ③ S = Socket
- ④ Plating Code :
 A=Selective Gold Flash over Nickel
 B=Selective 15µ" Gold flash over Nickel
 C=Selective 30µ" Gold flash over Nickel
- ⑤ Shell Material & Plating
 C = Stainless Steel
- ⑥ Contact Material: C=Copper Alloy
- ⑦ Insulator Material & Color Option
 L=LCP Black
- ⑧ Packing : R= Tape & Reel
- ⑨ 001=H:1.0mm , 002=H:2.0mm
- ⑩ LF = For Lead Free Soldering process

CU32 Series USB2.0 Type C Female SMT Type Connectors

- ⊙ Top Mount Type + SMT Type
- ⊙ High temperature plastic insulator
- ⊙ Contact current rating : 5 Amperes max
- ⊙ Dielectric strength:100V AC.
- ⊙ Durability cycles:10000 cycles

NEW

RoHS Compliant



RECOMMENDED PCB LAYOUT (COMPONENT SIDE)
 PCB THICKNESS: 1.0 For 1.5 Solder tail
 1.6 for 1.9 solder tail
 DEFAULT TOLERANCE: ±0.05

Ordering Code	①	②	③	④	⑤	⑥	⑦	⑧	⑨	⑩
	CU32	24	S	A	S	C	L	R	012	LF

① Series No.
 ② No. of Circuits
 ③ S = Socket
 ④ Plating Code :
 A=Selective Gold Flash over Nickel
 ⑤ Shell Material & Plating
 S = Stainless Steel
 ⑥ Contact Material : C= Copper Alloy
 ⑦ Insulator Material & Color Option
 L=LCP Black
 ⑧ Packing : R =Tape & Reel
 ⑨ Other Option : 012
 ⑩ LF = For Lead Free Soldering process

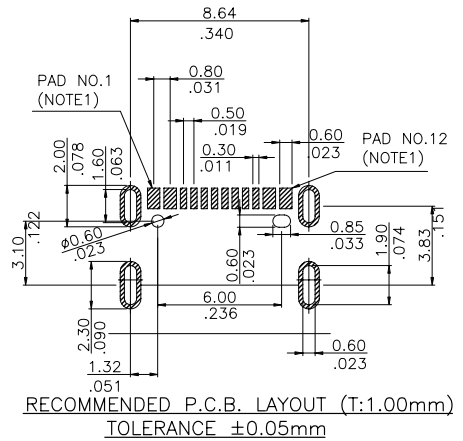
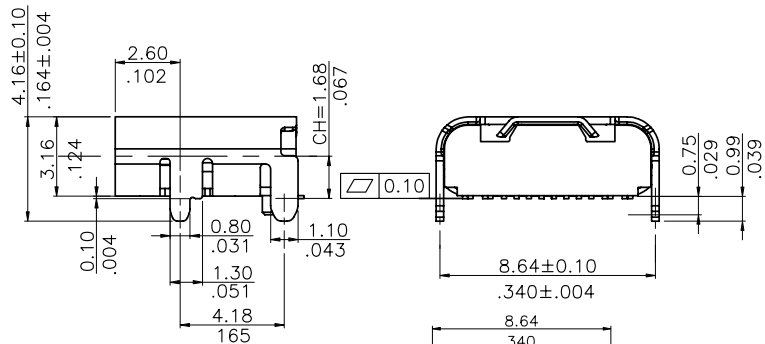
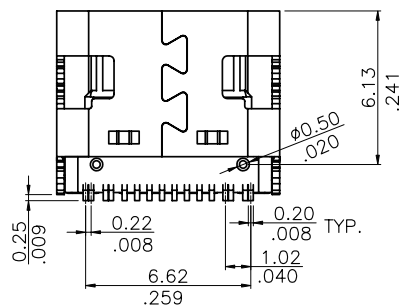
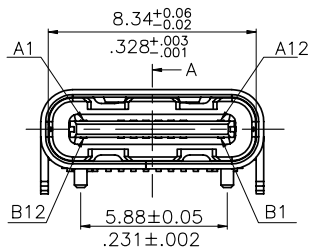
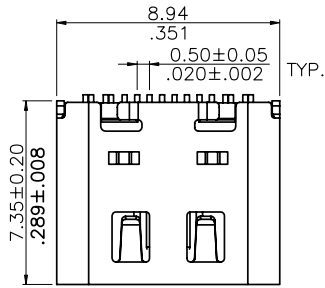
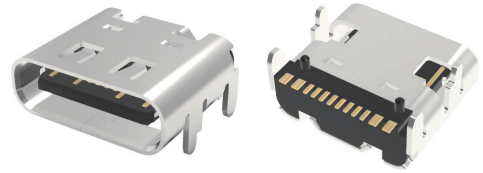
CU I/O CONNECTORS

CU32 Series USB2.0 Type C Female SMT Type Connectors

- ⊙ Top Mount SMT Type
- ⊙ High temperature plastic insulator
- ⊙ Contact current rating : 5 Amperes max
- ⊙ Dielectric strength:100V AC.
- ⊙ Durability cycles:10000 cycles

NEW

RoHS Compliant 



Ordering Code

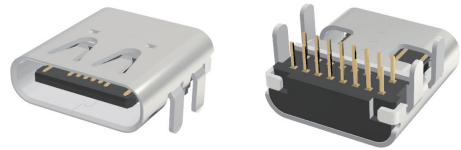
① ② ③ ④ ⑤ ⑥ ⑦ ⑧ ⑨ ⑩
CU32 16 S 2 S D L R 013 - NH

- ① Series No.
- ② No. of Circuits
- ③ S = Socket
- ④ Plating Code :
A=Selective Gold Flash over Nickel
2=Gold Flash over Nickel
- ⑤ Shell Material & Plating
S = Stainless steel
- ⑥ Contact Material: D=Copper Alloy
- ⑦ Insulator Material & Color Option
L=LCP Black
- ⑧ Packing : R= Tape & Reel
- ⑨ Other Option : 013
- ⑩ NH = For Lead Free soldering process and Halogen-Free

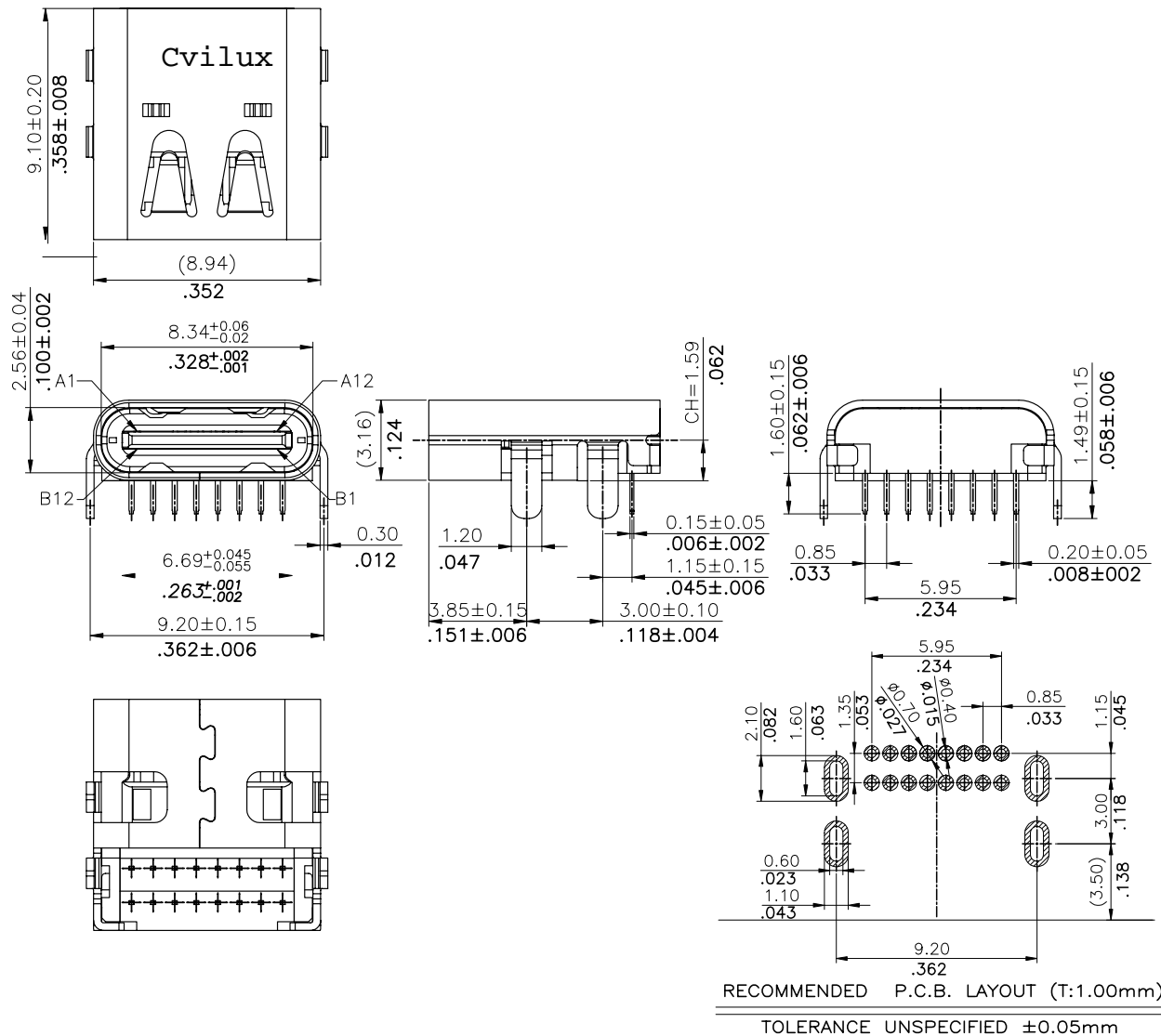
CU32 Series USB2.0 Type C Female SMT Type Connectors

- ⊙ Top Mount DIP Type
- ⊙ High temperature plastic insulator
- ⊙ Contact current rating : 5 Amperes max
- ⊙ Dielectric strength:100V AC.
- ⊙ Durability cycles:10000 cycles

NEW



RoHS Compliant



Ordering Code	①	②	③	④	⑤	⑥	⑦	⑧	⑨	⑩
	CU32	16	S	A	S	B	L	R	004	-NH

① Series No.
 ② No. of Circuits
 ③ S = Socket
 ④ Plating Code :
 A=Selective Gold Flash over Nickel
 B=Selective 15μ" Gold flash over Nickel
 C=Selective 30μ" Gold flash over Nickel
 2=Gold Flash over Nickel
 ⑤ Shell Material & Plating :
 S = Stainless Steel
 ⑥ Contact Material : B= Copper Alloy
 ⑦ Insulator Material & Color Option
 L=LCP Black
 ⑧ Packing : R =Tape & Reel
 ⑨ 004= With Logo 006= Without Logo
 ⑩ NH = For Lead Free soldering process and Halogen-Free

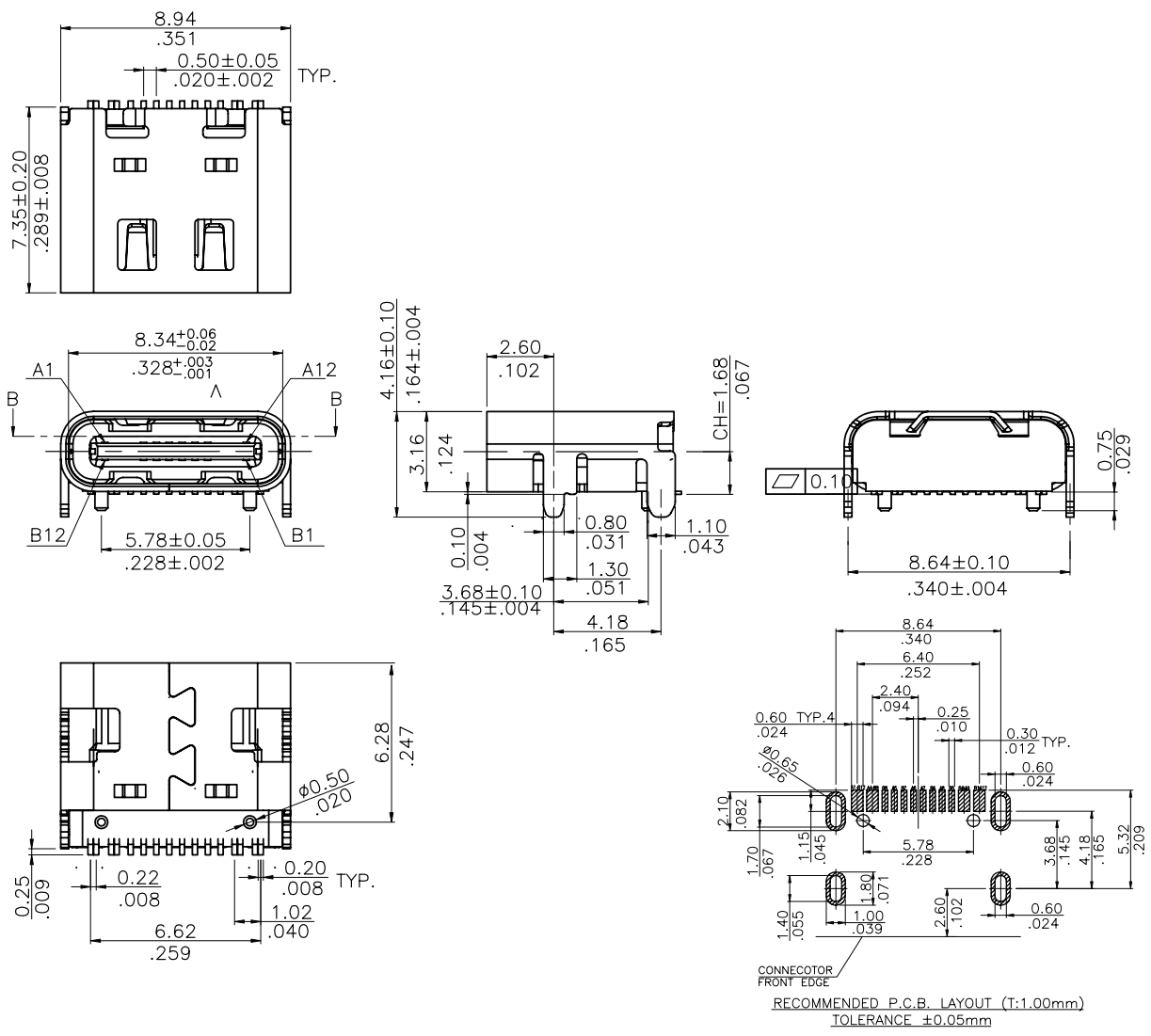
CU
I/O CONNECTORS

CU32 Series USB2.0 Type C Female SMT Type Connectors

- ⊙ Top Mount SMT Type
- ⊙ High temperature plastic insulator
- ⊙ Contact current rating : 3 Amperes max
- ⊙ Dielectric strength:100V AC.
- ⊙ Durability cycles:10000 cycles



RoHS Compliant



Ordering Code

①	②	③	④	⑤	⑥	⑦	⑧	⑨	⑩
CU32	16	S	A	S	D	L	R	009-NH	

- ① Series No.
- ② No. of Circuits
- ③ S = Socket
- ④ Plating Code :
A= Selective Gold Flash over Nickel
2= Gold Flash over Nickel
- ⑤ Shell Material & Plating :
S = Stainless steel
- ⑥ Contact Material : D= Copper Alloy
- ⑦ Insulator Material & Color Option : L=LCP Black
- ⑧ Packing : R =Tape & Reel
- ⑨ 009= With Logo 010= Without Logo
- ⑩ NH = For Lead Free soldering process and Halogen-Free

CU

I/O CONNECTORS

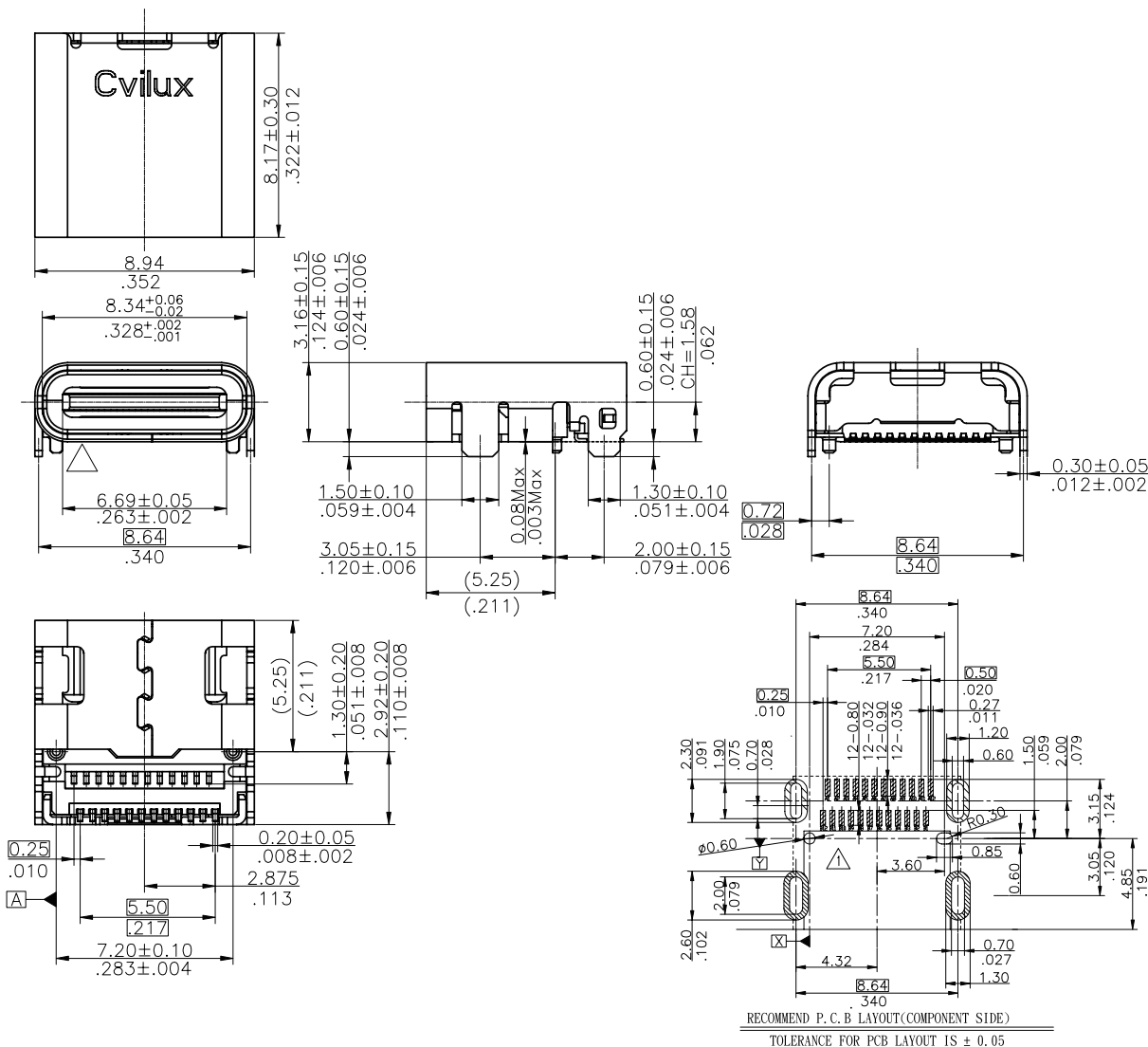
CU32 Series USB2.0 Type C Female SMT Type Connectors

- ⊙ Top Mount SMT Type
- ⊙ High temperature plastic insulator
- ⊙ Contact current rating : 5 Amperes max
- ⊙ Dielectric strength:100V AC.
- ⊙ Durability cycles:10000 cycles

NEW



RoHS Compliant



Ordering Code	①	②	③	④	⑤	⑥	⑦	⑧	⑨	⑩
	CU32	24	S	A	S	B	L	R	007	-NH

① Series No.
 ② No. of Circuits
 ③ S = Socket
 ④ Plating Code:
 A=Selective Gold Flash over Nickel
 B=Selective 15μ" Gold flash over Nickel
 C=Selective 30μ" Gold flash over Nickel
 ⑤ Shell Material & Plating :
 S = Stainless Steel
 ⑥ Contact Material : B= Copper Alloy
 ⑦ Insulator Material & Color Option : L=LCP Black
 ⑧ Packing : R =Tape & Reel
 ⑨ 007= With Logo 011= Without Logo
 ⑩ NH = For Lead Free soldering process and Halogen-Free

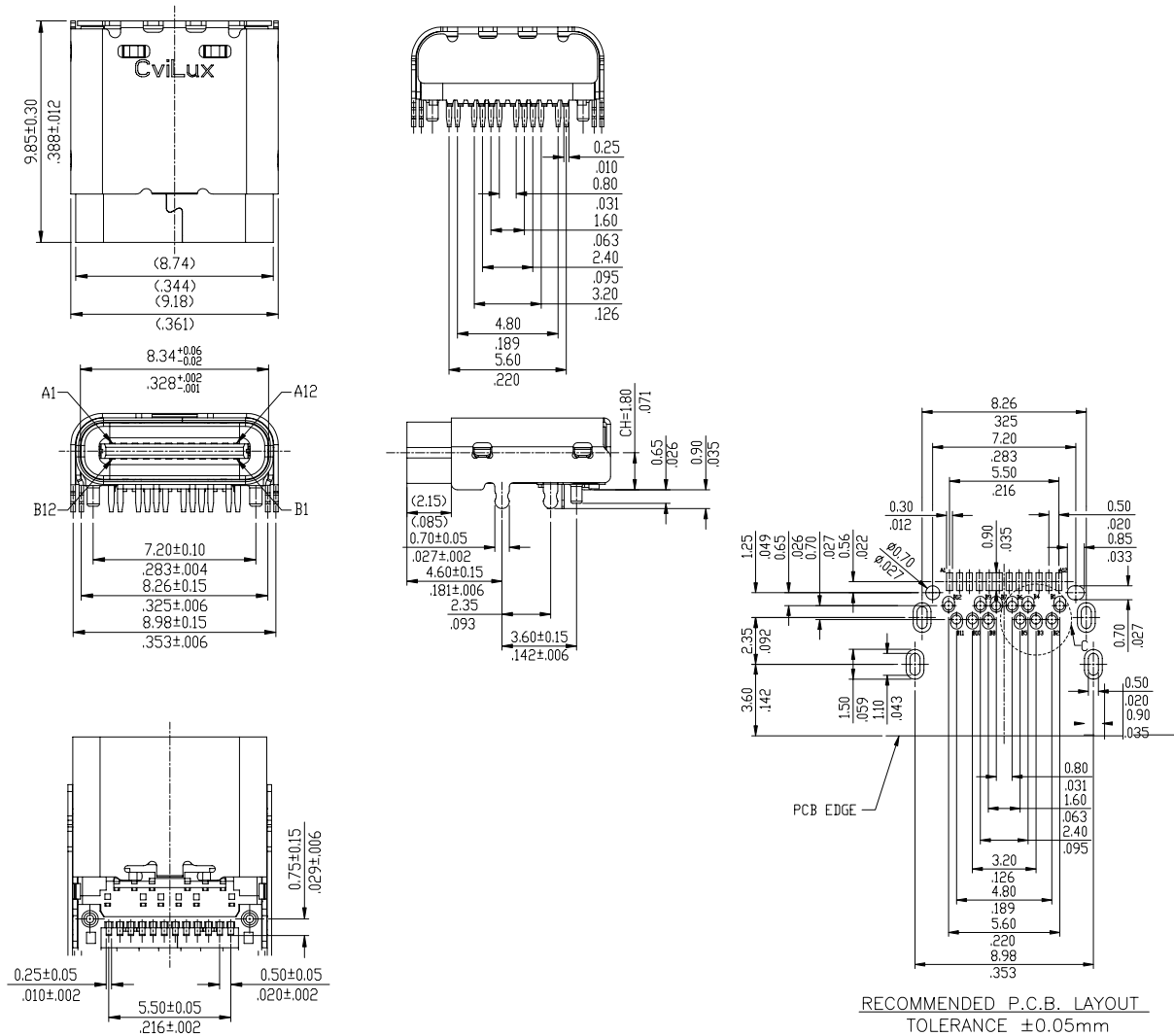
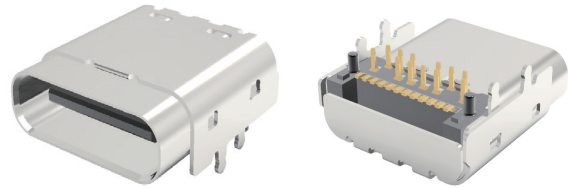
I/O CONNECTORS

CU32 Series USB2.0 Type C Female SMT Type Connectors

- ⊙ Top Mount DIP + SMT Type
- ⊙ High temperature plastic insulator
- ⊙ Contact current rating : 3 Amperes max
- ⊙ Dielectric strength:100V AC.
- ⊙ Durability cycles:10000 cycles

NEW

RoHS Compliant



Ordering Code

① ② ③ ④ ⑤ ⑥ ⑦ ⑧ ⑨ ⑩
CU32 24 S A S B L R 008 - NH

- ① Series No.
- ② No. of Circuits
- ③ S = Socket
- ④ Plating Code:
 A=Selective Gold Flash over Nickel
 B=Selective 15μ" Gold flash over Nickel
 C=Selective 30μ" Gold flash over Nickel
- ⑤ Shell Material & Plating :
 S = Stainless Steel
- ⑥ Contact Material : B= Copper Alloy
- ⑦ Insulator Material & Color Option : L=LCP Black
- ⑧ Packing : R =Tape & Reel
- ⑨ Other Option : 008
- ⑩ NH = For Lead Free soldering process and Halogen-Free

CU I/O CONNECTORS

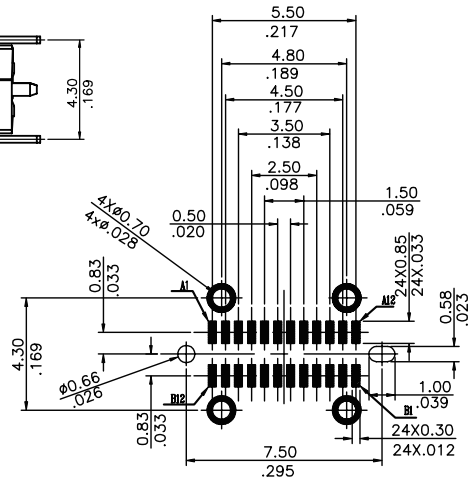
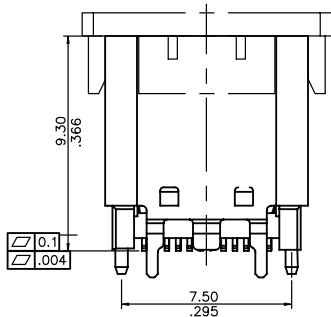
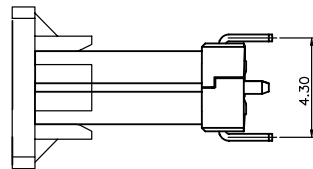
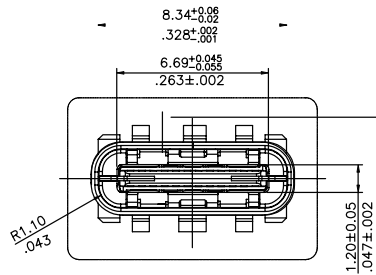
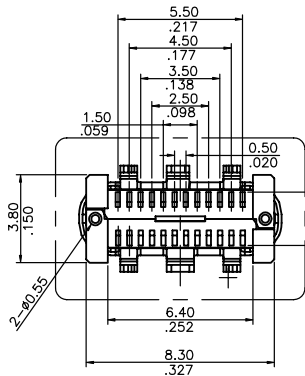
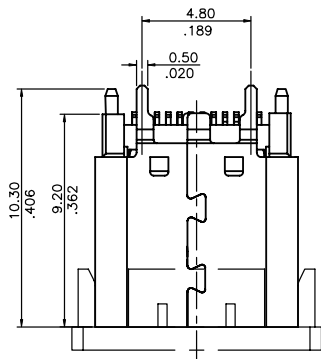
CU33 Series USB2.0 Type C Female Vertical Type Connectors

- ⊙ Vertical SMT Type
- ⊙ High temperature plastic insulator
- ⊙ Contact current rating : 3 Amperes max
- ⊙ Dielectric strength:100V AC.
- ⊙ Durability cycles:10000 cycles

NEW



RoHS Compliant



RECOMMENDED P.C.B. LAYOUT (T:1.00mm)
TOLERANCE UNSPECIFIED ±0.05mm

Ordering Code

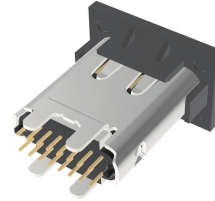
① ② ③ ④ ⑤ ⑥ ⑦ ⑧ ⑨ ⑩
CU33 24 S A S D L R 004 - LF

- ① Series No.
- ② No. of Circuits
- ③ S = Socket
- ④ Plating Code :
 A=Selective Gold Flash over Nickel
 B=Selective 15µ" Gold flash over Nickel
 C=Selective 30µ" Gold flash over Nickel
- ⑤ Shell Material & Plating :
 S = Stainless steel
- ⑥ Contact Material : = Copper Alloy
- ⑦ Insulator Material & Color Option : L=LCP Black
- ⑧ Packing : R =Tape & Reel
- ⑨ Other Option : 004
- ⑩ LF = For Lead Free Soldering process

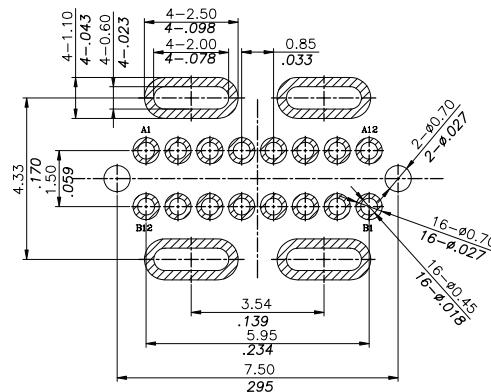
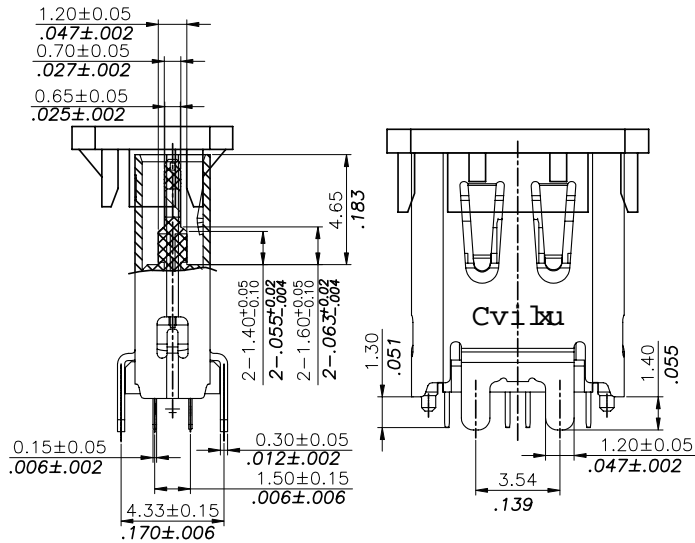
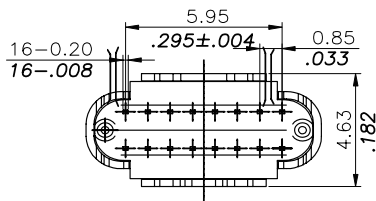
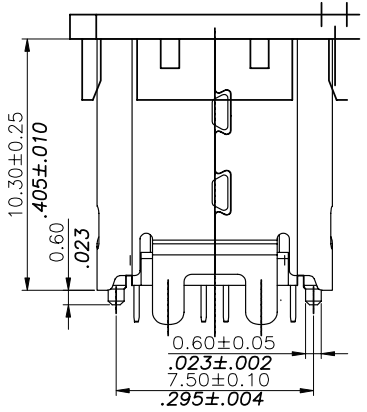
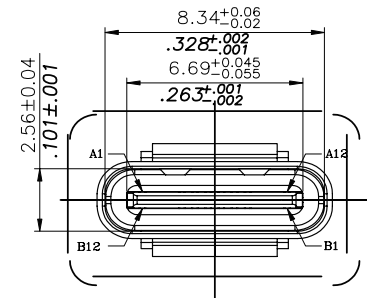
CU33 Series USB2.0 Type C Female Vertical Type Connectors

- ⊙ Vertical DIP Type
- ⊙ High temperature plastic insulator
- ⊙ Contact current rating : 5 Amperes max
- ⊙ Dielectric strength:100V AC.
- ⊙ Durability cycles:10000 cycles

NEW



RoHS Compliant



RECOMMENDED P.C.B. LAYOUT (T:1.00mm)
TOLERANCE UNSPECIFIED ±0.05mm
SCALE: 2:1

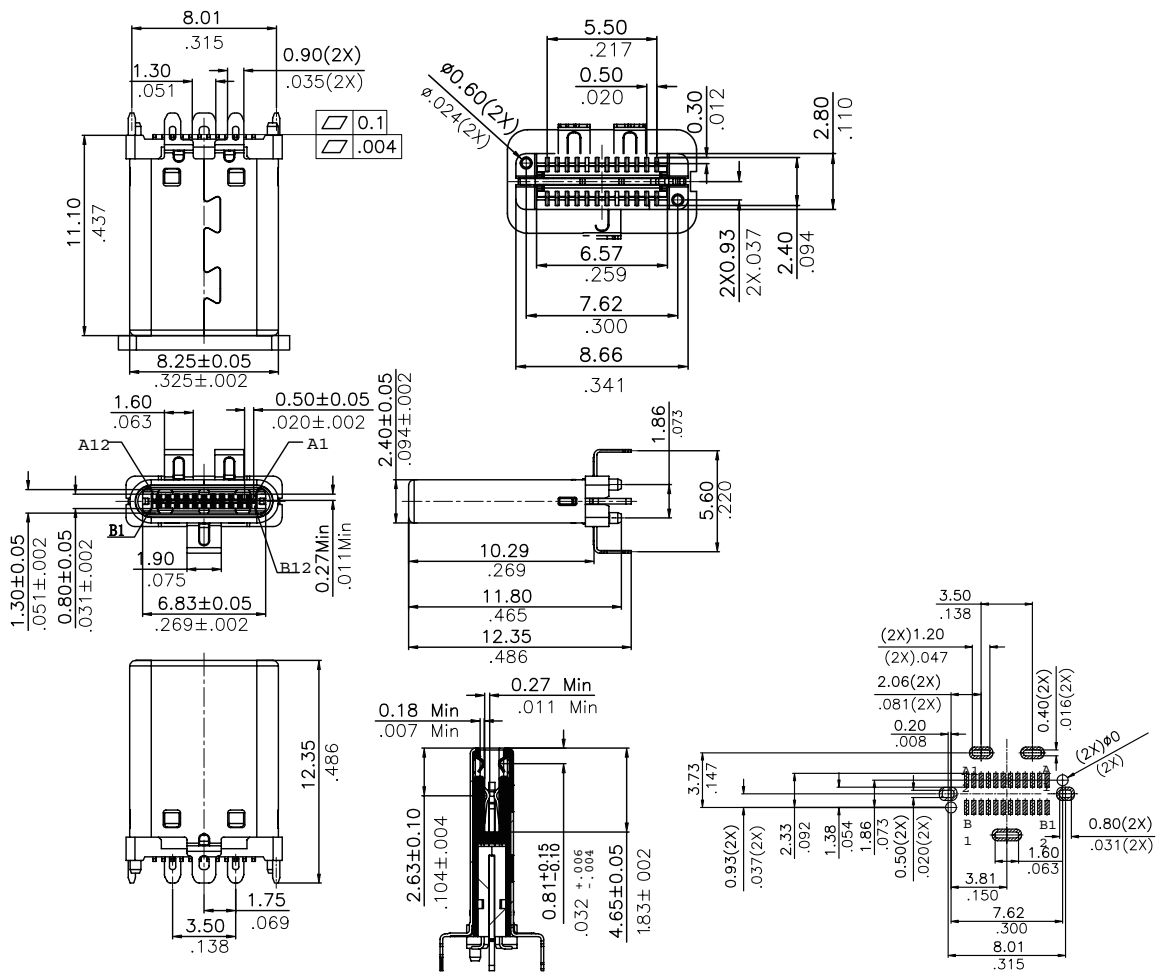
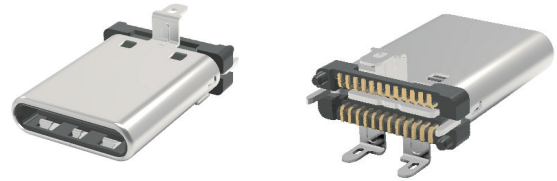
Ordering Code	①	②	③	④	⑤	⑥	⑦	⑧	⑨	⑩
	CU33	16	S	2	S	B	L	R	003	-NH
① Series No.										
② No. of Circuits										
③ S = Socket										
④ Plating Code :										
2= Gold Flash over Nickel										
3=Selective 15µ" Gold flash over Nickel										
4=Selective 30µ" Gold flash over Nickel										
⑤ Shell Material & Plating :										
S = Stainless Steel										
⑥ Contact Material : B= Copper Alloy										
⑦ Insulator Material & Color Option										
L=LCP Black										
⑧ Packing : R =Tape & Reel										
⑨ Other Option : 003										
⑩ NH = For Lead Free soldering process and Halogen-Free										

CU33 Series USB Type C Plug SMT Type Connectors

- ⊙ Vertical SMT Type
- ⊙ High temperature plastic insulator
- ⊙ Contact current rating : 3 Amperes max
- ⊙ Dielectric strength:100V AC.
- ⊙ Durability cycles:10000 cycles

NEW

RoHS  Compliant



RECOMMENDED PCB LAYOUT(t=0.80±0.05)
COMPONENT SIDE(GENERAL TOLERANCE:±0.05)

Ordering Code

①	②	③	④	⑤	⑥	⑦	⑧	⑨	⑩
C	U	33	24	P	A	S	D	L	R
									001-LF

- ① Series No.
- ② No. of Circuits
- ③ P = Plug
- ④ Plating Code :
A=Selective Gold Flash over Nickel
- ⑤ Shell Material & Plating
S = Stainless Steel
- ⑥ Contact Material : D =Copper Alloy
- ⑦ Insulator Mateial & Color : L= LCP , Black
- ⑧ Packing : R = Tape & Reel
- ⑨ 001= Without Cover
- ⑩ LF = For Lead Free Soldering process

CU

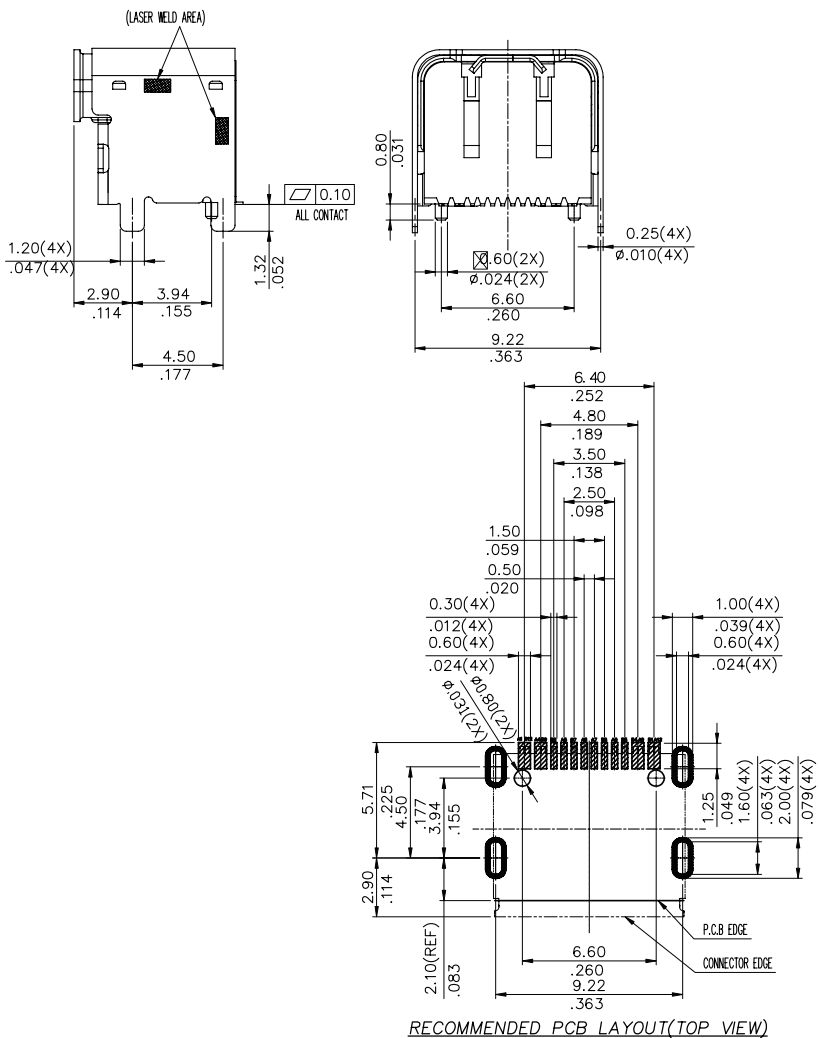
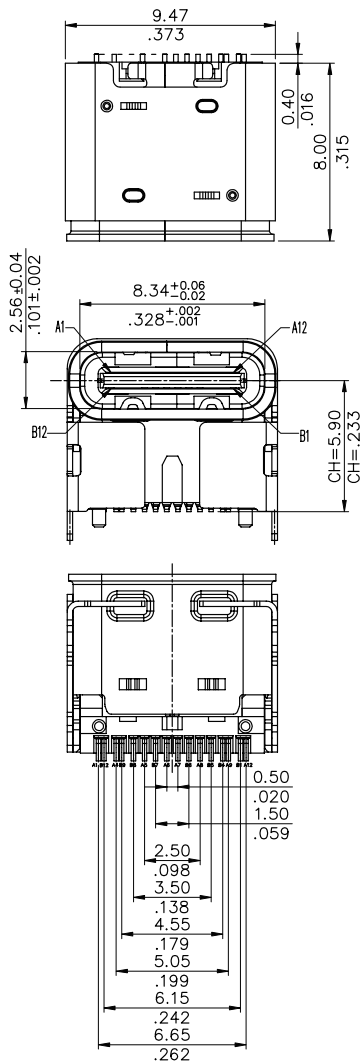
I/O CONNECTORS

CU34 Series USB2.0 Type C Female SMT Type Connectors

- ⊙ Heightened SMT Type
- ⊙ High temperature plastic insulator
- ⊙ Contact current rating : 3 Amperes max
- ⊙ Dielectric strength:100V AC.
- ⊙ Durability cycles:10000 cycles

NEW

RoHS Compliant



Ordering Code	①	②	③	④	⑤	⑥	⑦	⑧	⑨	⑩
	CU34	16	S	2	S	A	L	R	001	-NH

① Series No.	⑥ Contact Material : A= Copper Alloy
② No. of Circuits	⑦ Insulator Material & Color Option : L=LCP Black
③ S = Socket	⑧ Packing : R =Tape & Reel
④ Plating Code : 2= Gold Flash over Nickel	⑨ Other Option : 001
⑤ Shell Material & Plating : S = Stainless Steel	⑩ NH = For Lead Free soldering process and Halogen-Free

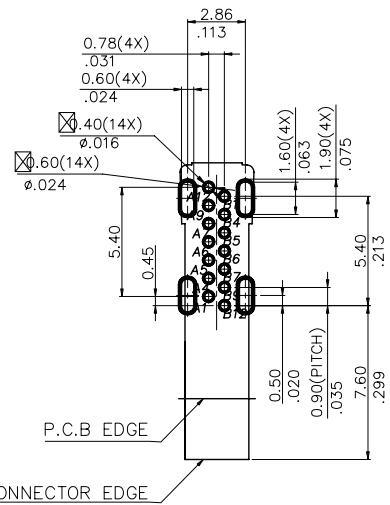
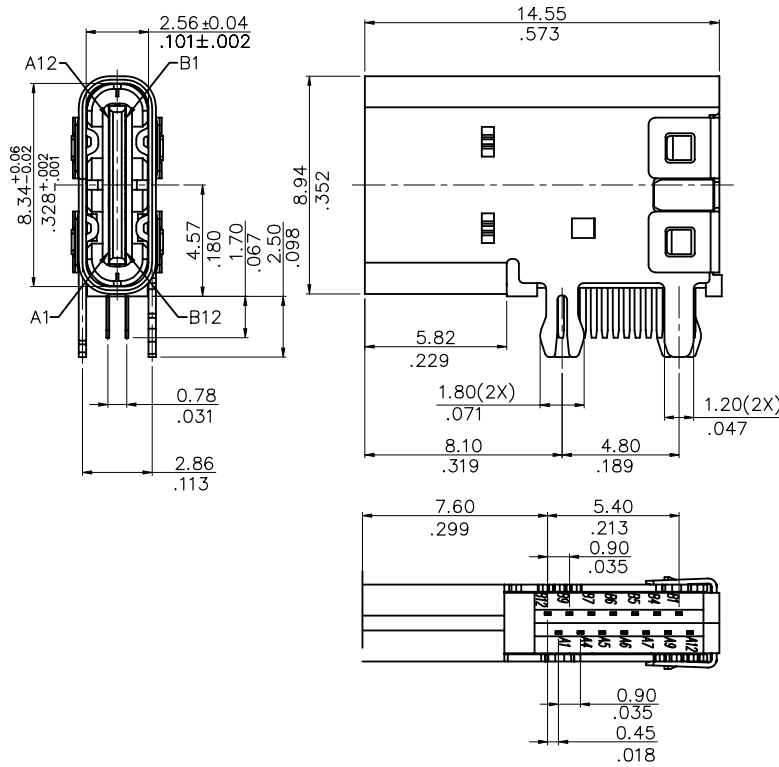
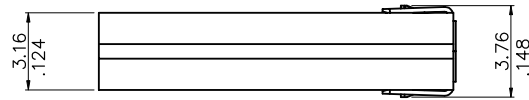
CU I/O CONNECTORS

CU35 Series USB2.0 Type C Female Connectors

- Ⓞ Side Plug DIP Type
- Ⓞ High temperature plastic insulator
- Ⓞ Contact current rating : 5 Amperes max
- Ⓞ Dielectric strength:100V AC.
- Ⓞ Durability cycles:10000 cycles



RoHS Compliant



RECOMMENDED PCB LAYOUT(TOP VIEW)
THICKNESS 1.6±0.10MM; DEFAULT TOLERANCE: ±0.05

Ordering Code

① ② ③ ④ ⑤ ⑥ ⑦ ⑧ ⑨ ⑩
CU35 14 S 2 S A L A 001 - NH

- ① Series No.
- ② No. of Circuits
- ③ S = Socket
- ④ Plating Code :
A= Selective Gold Flash over Nickel
2= Gold Flash over Nickel
- ⑤ Shell Material & Plating :
S = Stainless Steel
- ⑥ Contact Material : A= Copper Alloy
- ⑦ Insulator Material & Color Option
L=LCP Black
- ⑧ Packing : A = Tray
- ⑨ Other Option : 001
- ⑩ NH = For Lead Free soldering process and Halogen-Free

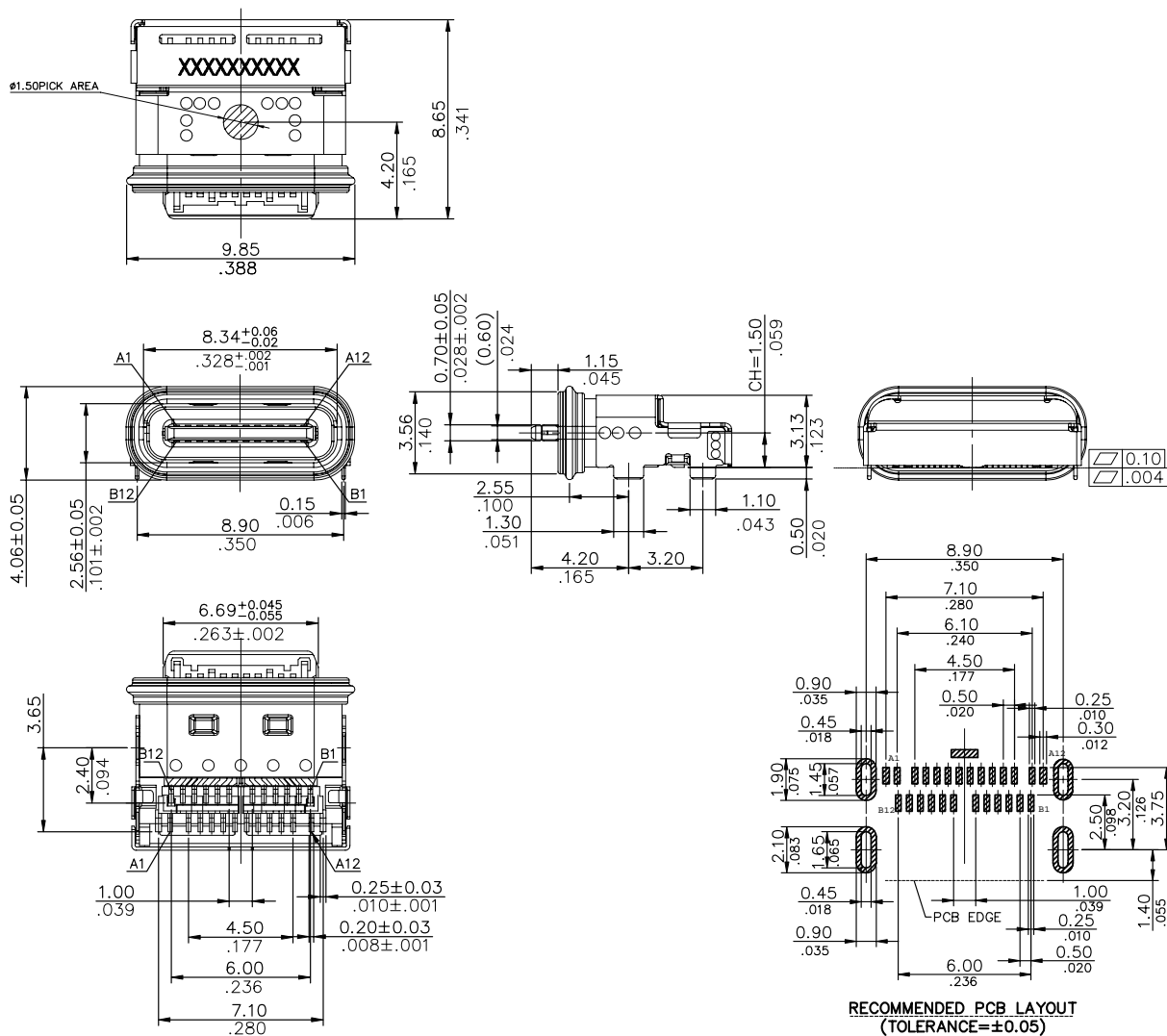
CU39 Series USB2.0 Type C Female Connectors

- ⊙ Top Monut SMT Type
- ⊙ IP 67 waterproof
- ⊙ High temperature plastic insulator
- ⊙ Contact current rating : 3 Amperes max
- ⊙ Dielectric strength:100V AC.
- ⊙ Durability cycles:10000 cycles

NEW



RoHS Compliant



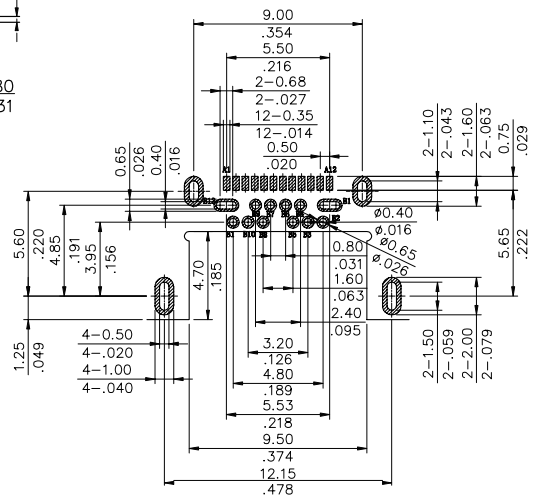
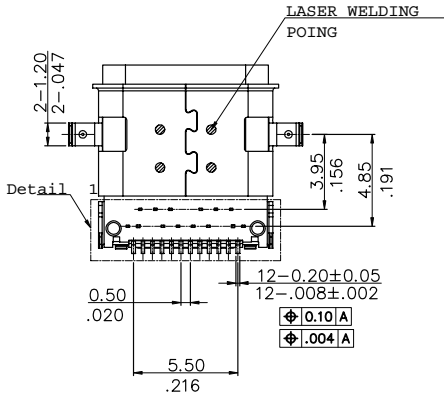
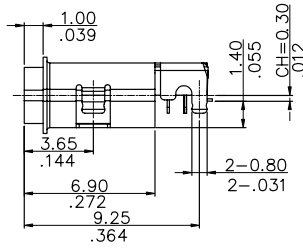
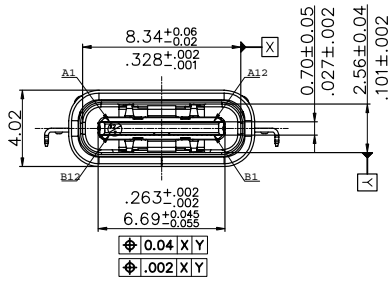
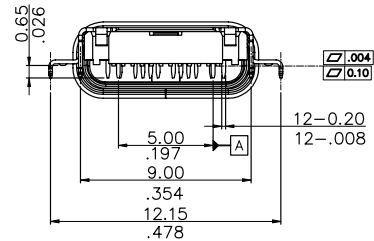
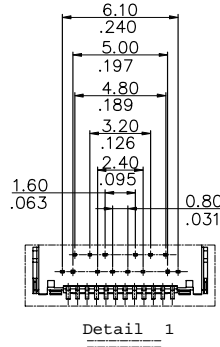
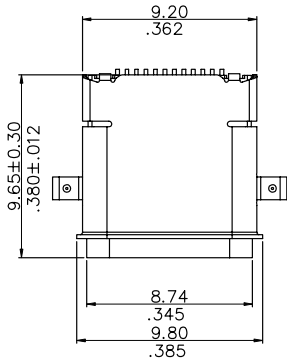
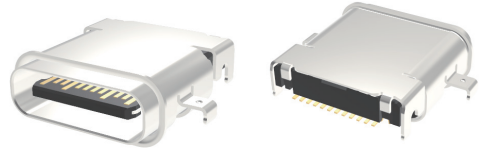
Ordering Code	①	②	③	④	⑤	⑥	⑦	⑧	⑨	⑩
	CU39	24	S	C	S	A	D	R	004	LF

① Series No.	⑥ Contact Material : A= Copper Alloy
② No. of Circuits	⑦ Insulator Material & Color Option
③ S = Socket	D = LCP Black
④ Plating Code :	⑧ Packing : R =Tape & Reel
C= Selective 30µ" Gold flash over Nickel	⑨ Other Option : 004
⑤ Shell Material & Plating :	⑩ LF = For Lead Free Soldering process
S = Stainless steel	

CU I/O CONNECTORS

CU39 Series USB2.0 Type C Female Connectors

- ⊙ Middle Mount DIP + SMT Type
- ⊙ IP 67 waterproof
- ⊙ High temperature plastic insulator
- ⊙ Contact current rating : 5 Amperes max
- ⊙ Dielectric strength:100V AC.
- ⊙ Durability cycles:10000 cycles



RECOMMENDED P.C.B LAYOUT(Both sides are sample)
olerance: ±0.05, Thickness=0.60mm

Ordering Code

①	②	③	④	⑤	⑥	⑦	⑧	⑨	⑩
CU39	24	S	F	S	F	D	R	003	LF

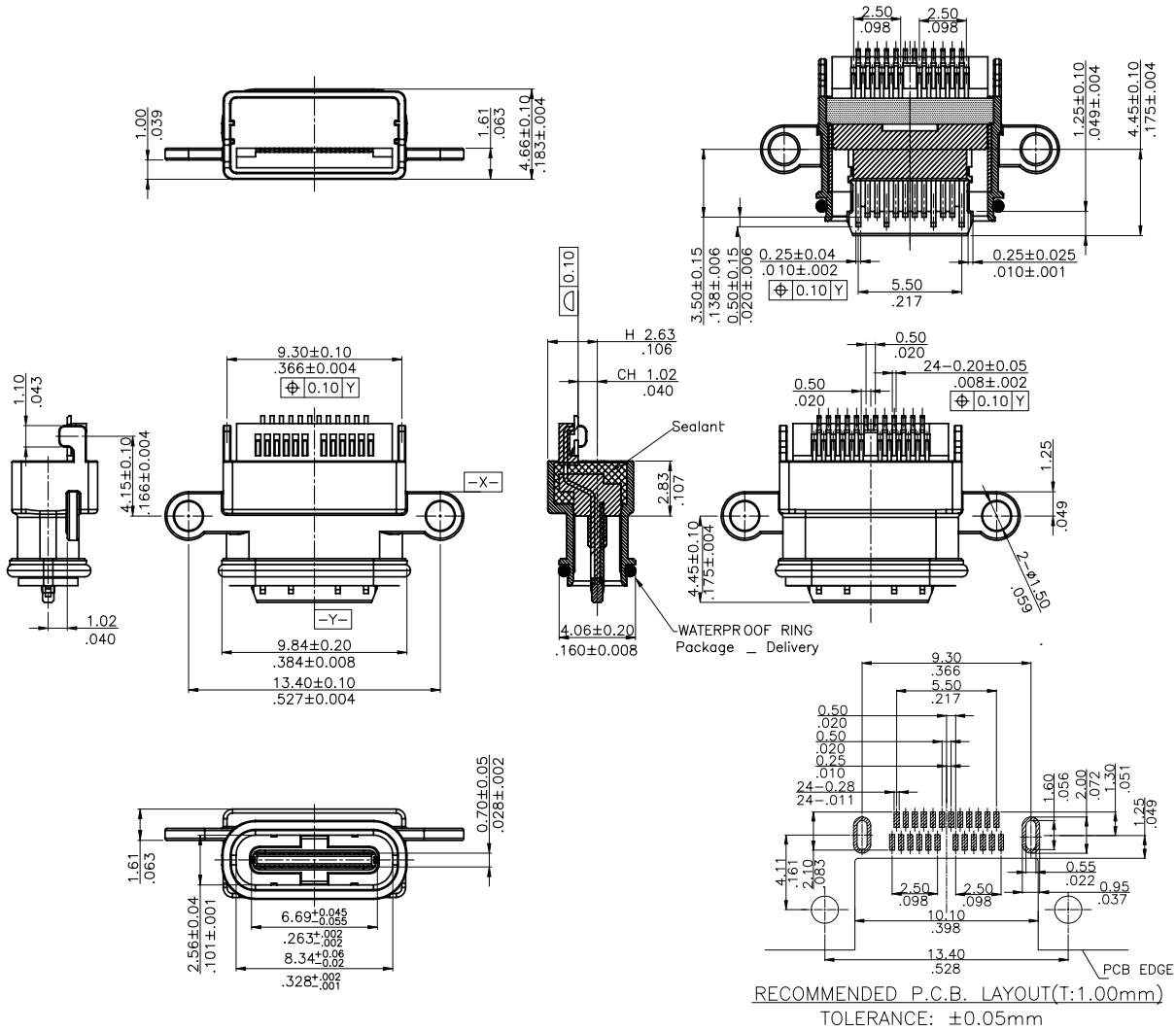
- ① Series No.
- ② No. of Circuits
- ③ S = Socket
- ④ Plating Code :
F = Selective Gold flash over Nickel
- ⑤ Shell Material & Plating : S = Stainless steel
- ⑥ Contact Material : F= Copper Alloy
- ⑦ Insulator Material & Color Option: D= High temperature Black
- ⑧ Packing : R =Tape & Reel
- ⑨ 003= Waterproof Type (IP67)
- ⑩ LF = For Lead Free Soldering process

CU

I/O CONNECTORS

CU39 Series USB2.0 Type C Female Connectors

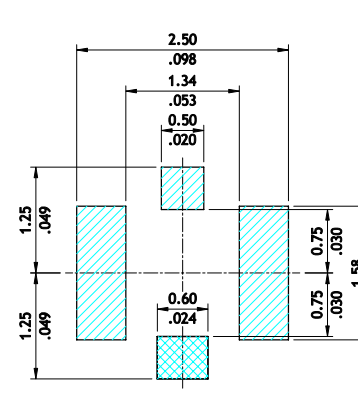
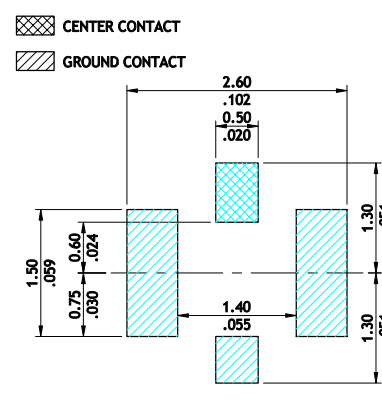
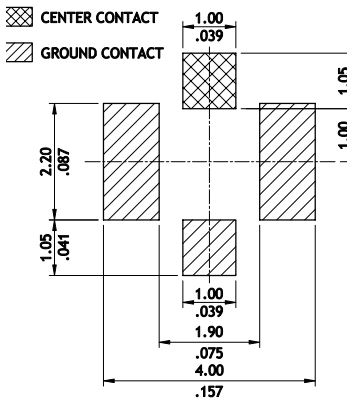
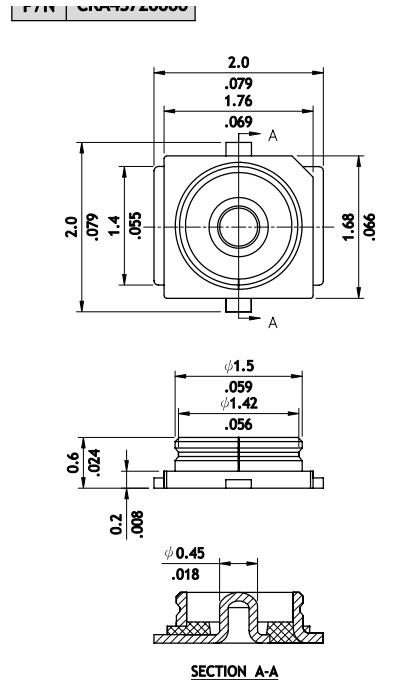
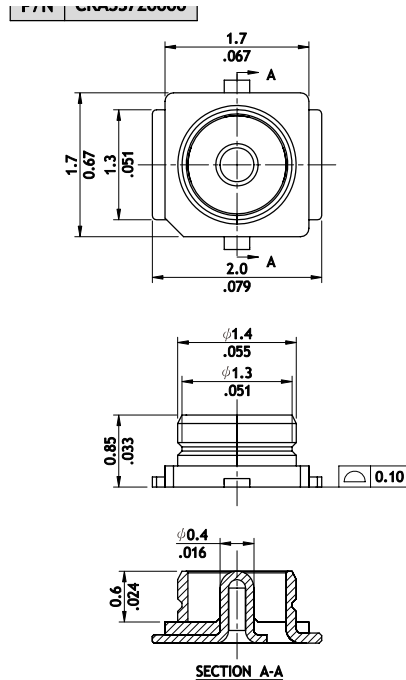
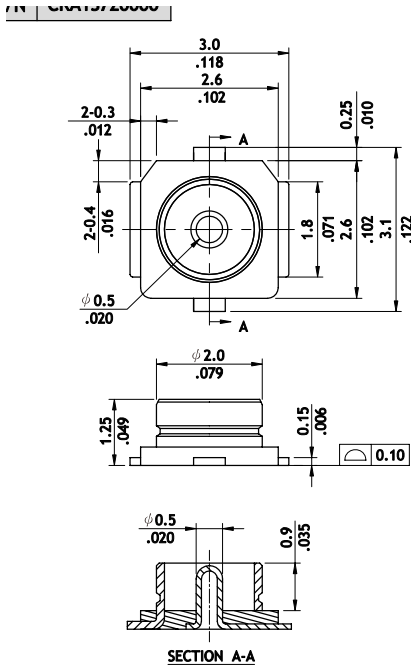
- Ⓞ Middle Monot SMT Type
- Ⓞ IP 67 waterproof
- Ⓞ High temperature plastic insulator
- Ⓞ Contact current rating : 5 Amperes max
- Ⓞ Dielectric strength:100V AC.
- Ⓞ Durability cycles:10000 cycles



Ordering Code	①	②	③	④	⑤	⑥	⑦	⑧	⑨	⑩	
	CU39	24	S	A	Z	B	N	R	001	-NH	
① Series No.						⑥ Contact Material : B= Copper Alloy					
② No. of Circuits						⑦ Insulator Material & Color Option					
③ S = Socket						N= PA4T Black					
④ Plating Code :						⑧ Packing : R =Tape & Reel					
A=Selective Gold Flash over Nickel						⑨ Other Option : 001= IP-X7					
B=Selective 15μ" Gold flash over Nickel						007 =IP-X8					
C=Selective 30μ" Gold flash over Nickel						⑩ NH = For Lead Free soldering process					
⑤ Shell Material & Plating :						and Halogen-Free					
Z = Kirsite											

CRA Series RF Micro Coaxial Connectors

RoHS Compliant



Recommended P.C. Board Layout
(TOLERANCE: ±0.005)

Recommended P.C. Board Layout

Recommended P.C. Board Layout

Ordering Code

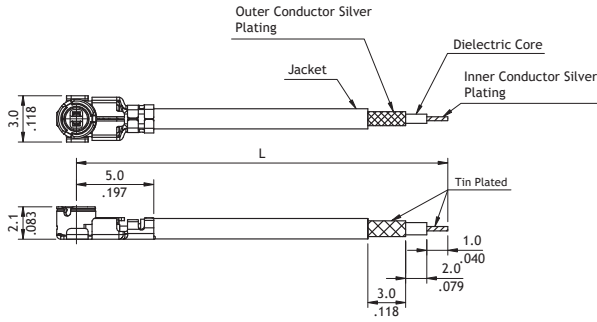
① ② ③ ④ ⑤
CRA1 S 7 2 0000

- ① Series No.
CRA1, CRA3, CRA4
- ② S=Receptacle Connector
- ③ Center Contact Plating:
7 = 3µ"Gold flash over Nickel
- ④ Ground Contact Plating:
2=Gold flash over Nickel
- ⑤ Other Options:
0000=standard

RF CONNECTORS

CRA Series RF Micro Coaxial Cable

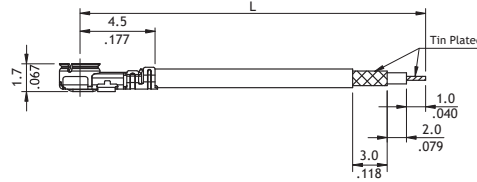
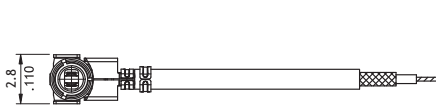
P/N CRA1W*A***1



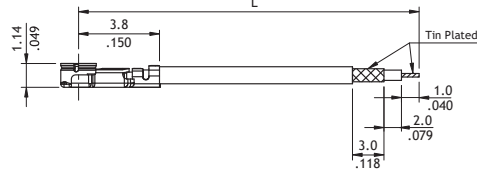
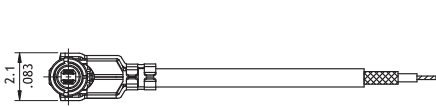
Series	PLUG	Cable Type	Receptacle	Mating Height
CRA1	CRA1W3A***1	1.13	CRA1572000	2.5mm(Max.)
	CRA1W2A***1	1.32		
	CRA1W4A***1	1.37		
CRA2	CRA2W1A***1	0.81		2.0mm(Max.)
	CRA2W3A***1	1.13		
	CRA2W2A***1	1.32		
CRA3	CRA3W1A***1	0.81	CRA3572000	1.5mm(Max.)
	CRA3W3A***1	1.13	CRA3572000	1.5mm(Max.)
CRA4	CRA4W1A***1	0.81	CRA4572000	1.2mm(Max.)
	CRA4W3A***1	1.13		

*Note : Single and dual ends can be offered

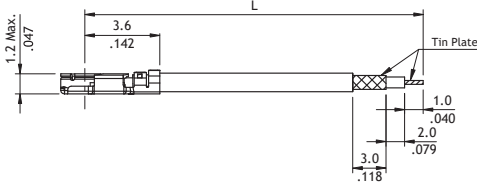
P/N CRA2W*A***1



P/N CRA3W1A***1



P/N CRA4W3A***1



Ordering Code

① ② ③ ④ ⑤ ⑥

CRA 1 W 1 A 100 1

① Series No.
CRA1,CRA2,CRA3,CRA4

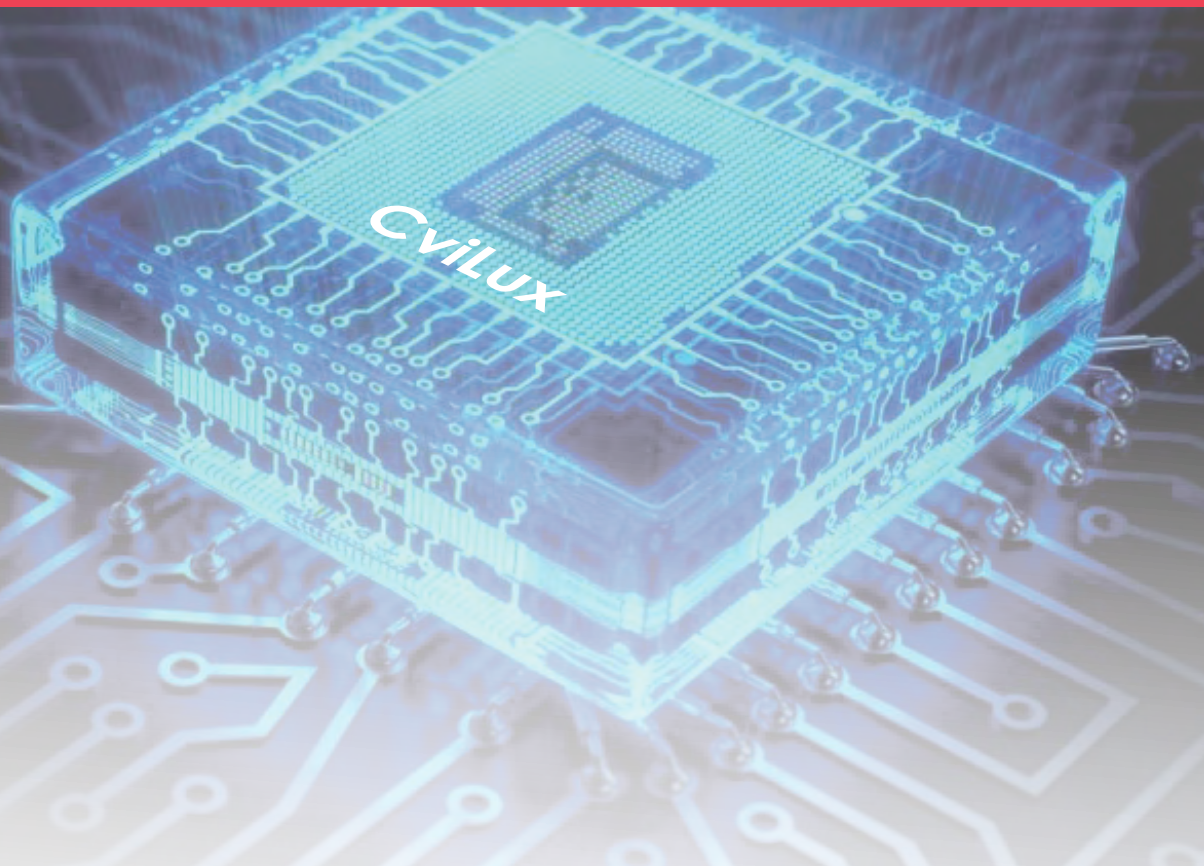
② W=Wire Assembly

③ Application Cable:
1=OD 0.81mm 2=OD 1.32mm
3=OD 1.13mm 4=OD 1.37mm

④ A= Both ends crimped cable(Gold Plated)
B=One end crimped cable,the other end stripped(Gold Plated)

⑤ Length: example:L= 100 = 100mm

⑥ Cable Color:1=Black(standard)



CVILUX PATENT, CERTIFICATE, AWARD

CviLux R&D strength means maximizing our patents, awards and international standard of QC and certificates. We challenge our worldwide granted and pending patents listed as follows (- Oct., 2021) :

- Taiwan : 157 patents granted and pending
- China : 116 patents granted and pending
- USA : 10 patents granted and pending
- Japan : 3 patents granted and pending



CviLux Technology
(Suzhou) Co., Ltd.



Anhui CviLux Technology
Co., Ltd.



CviLux Lao Co., Ltd.

Marketing Site

CviLux Corporation
 CviLux Technology (Shenzhen) Corporation
 CviLux USA Corporation
 CviLux Opro9 Europe B.V.
 CviLux SDN BHD
 CviLux JAPAN Office
 CviLux KOREA Corporation
 CviLux QINGDAO Office
 CviLux XIAMEN Office
 Allsor Technology Corporation
 Allsor Electronics Co., Ltd.
 CviCloud Corporation
 CviCloud (SZ) Limited

Factory Site

Taiwan
 CviLux Corporation
 South China
 CviLux Electronics (Dongguan)Co., Ltd.
 Dongguan Qunhan Electronics Co., Ltd.
 East China
 CviLux Technology (Suzhou) Co., Ltd.
 West China
 CviLux Technology (Chongqing) Co., Ltd.
 Central China
 Anhui CviLux Technology Co., Ltd.
 Lao
 CviLux Lao Co., Ltd.



Taiwan

South China (Dongguan)

South China (Qunhan)

East China

West China

Central China

Lao

